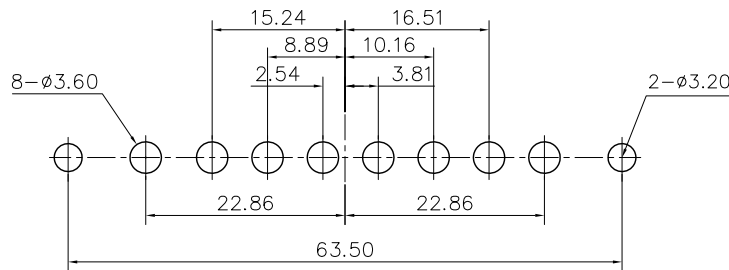
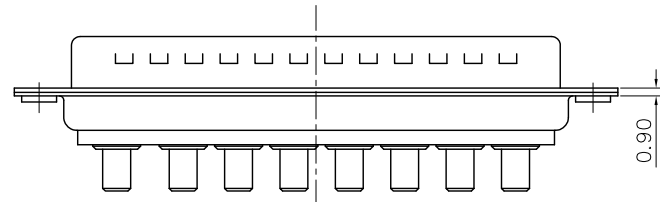
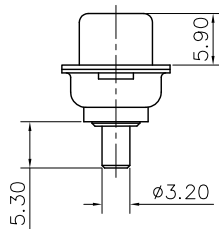
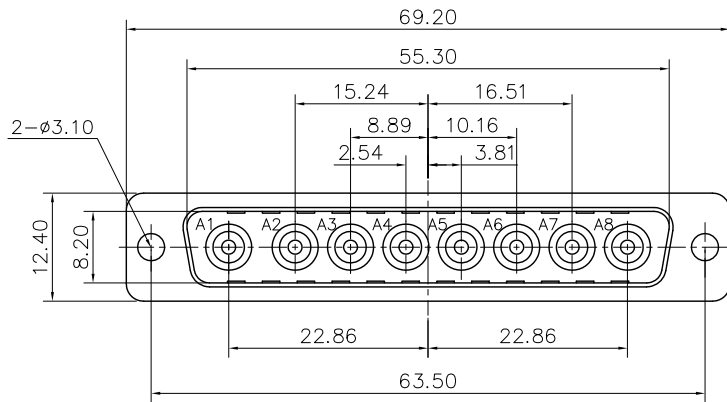


This document is the property of Amphenol Corporation and is delivered on the express condition that it is not to be disclosed, reproduced or used, in whole or in part, for manufacture or sale by anyone other than Amphenol Corporation without its prior consent, & that no right is granted to disclose or to use any information in this document.



RECOMMENDED P.C.B LAYOUT

(TOLERANCE +/-0.05)

Customer drawing



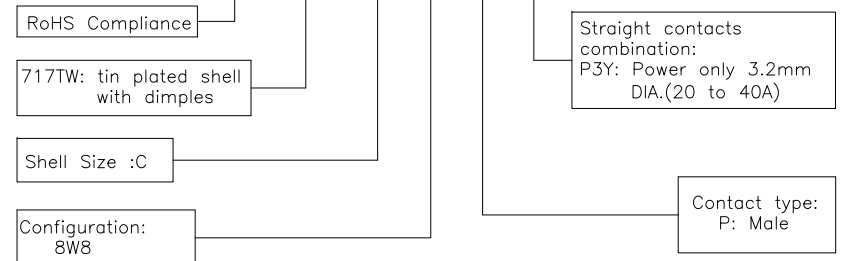
REVISIONS				
SYM	ECN	DESCRIPTION	DATE	APPROVED
1	HK--	First Release drawing	05/09/08	IP

D-SUB TECHNICAL DATA

SHELL: Steel 2.5um(100u") min. tin over 1.25um(50u") min. nickel
 BODY: Glass filled thermoplastic.
 Flame retarding to UL94 V-0 Color Black
 CONTACTS: Brass
 Front power contact: 0.4um(15u") min. gold over 1.25um(50u") min. nickel
 Rear power contact: 100u" min. tin over 50u" min. nickel
 ELECTRICAL: Voltage rating: 300 V RMS at 50 Hz
 Current rating 20A to 40A.
 Withstanding Voltage >1000 V RMS at 50 Hz for one minute
 Insulation resistance >5000 M Ohms
 Contact resistance 20 mOhms max.
 CLIMATIC: Temperature range -55 °C up to 155°C
 Damp heat 56 days(40 °C-95% HR)
 MARKING: Amphenol...(Series No.)
 Manufacturing date
 Commercial reference

PRODUCT CODE

L 717TW C 8W8 P P3Y



UNLESS OTHERWISE SPECIFIED TOLERANCES U.S. METRIC .X +/- 0.50 .XX +/- 0.30 .XXX +/- 0.20 FRACTIONS +/- 5" ANGLES +/- FOR MATERIALS AND FINISHES SEE NOTES REMOVE SHARP EDGES DIMENSIONS U.S. INCHES METRIC MM	APPROVAL	DATE
	DRAWN Sunny Li	05/09/08
	CHECKED lik.wang	05/09/08
	CHECKED	
	DRAWING FILE :	
	ANGLE OF PROJECTION	

Amphenol		
Amphenol East Asia Limited		
TITLE Hybrid connector,TW series		
SIZE	DRAWING NO.	REV.
A4	C L717TWC8W8PP3Y	1
SCALE	NONE	SHEET 1 OF 1