

4

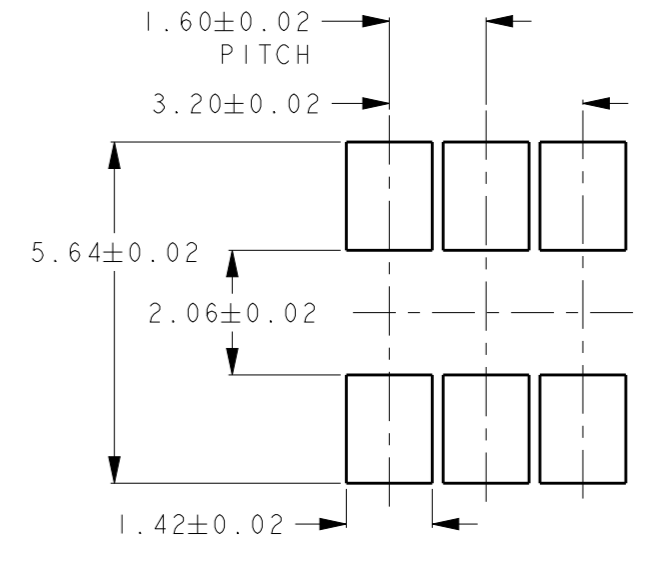
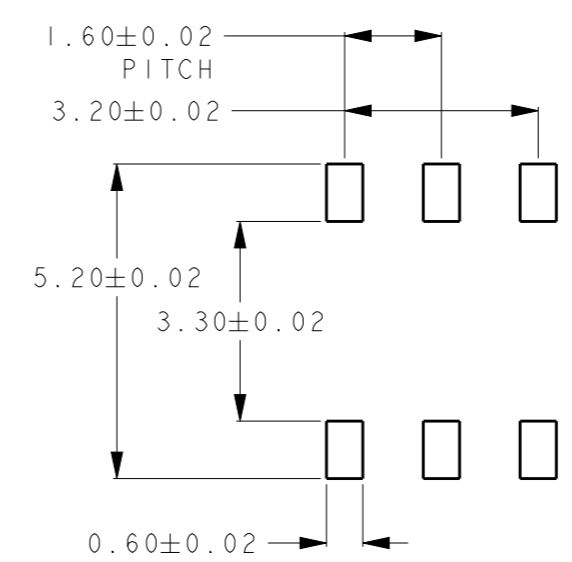
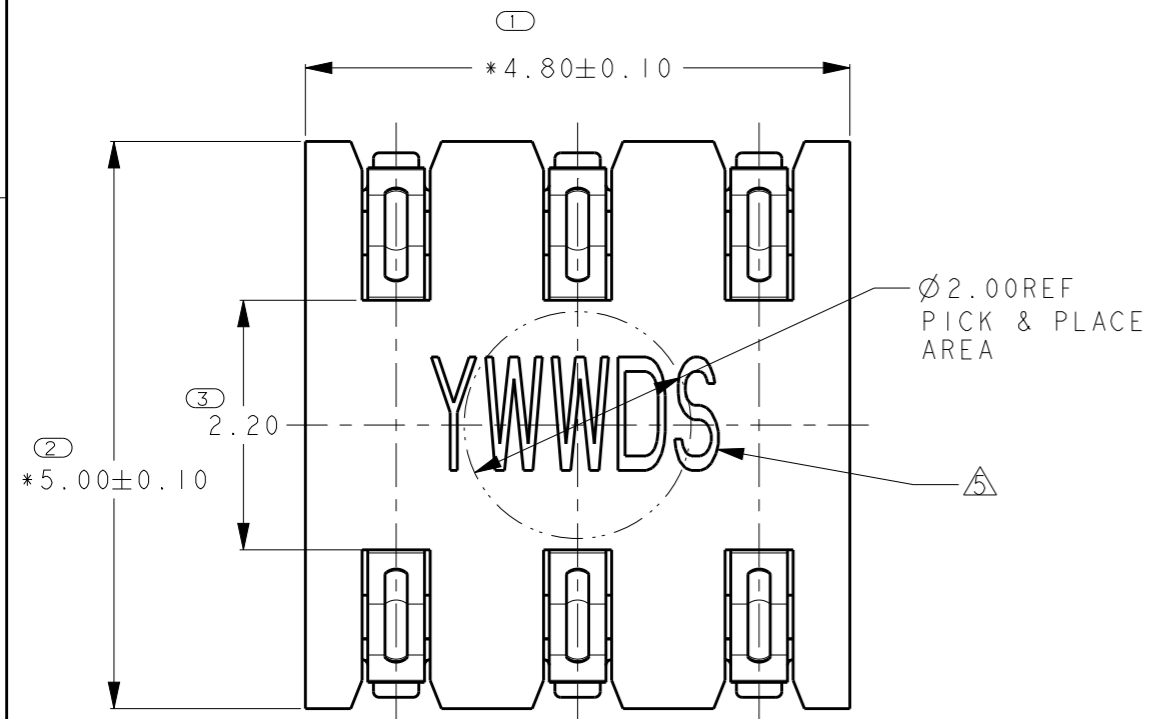
3

2

1

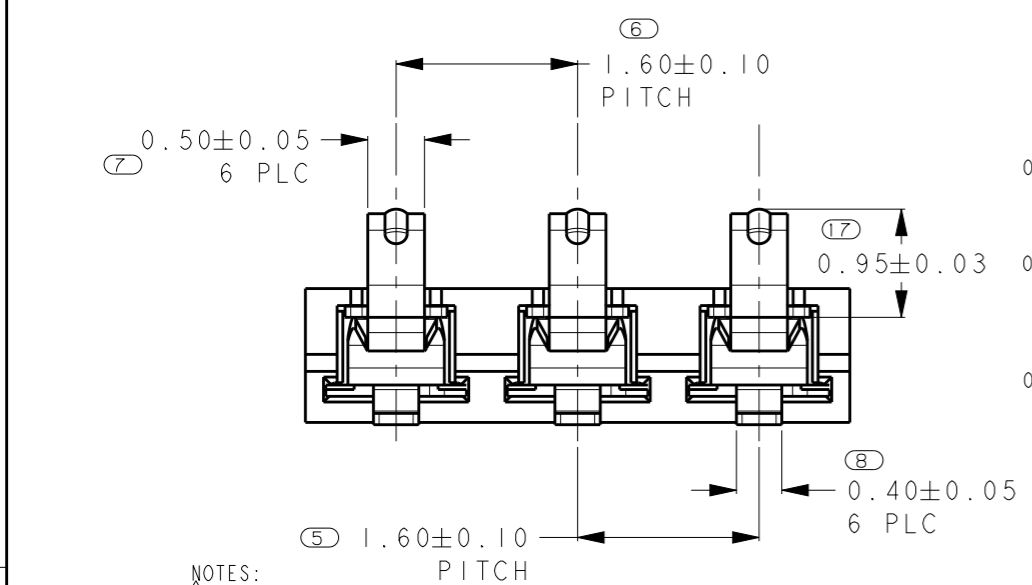
THIS DRAWING IS UNPUBLISHED. RELEASED FOR PUBLICATION 20
 (C) COPYRIGHT 20 ALL RIGHTS RESERVED.

LOC	DIST	REVISIONS					
		P	LTR	DESCRIPTION	DATE	DWN	APVD
ES			A	INITIAL	13NOV2013	R.W	W.H

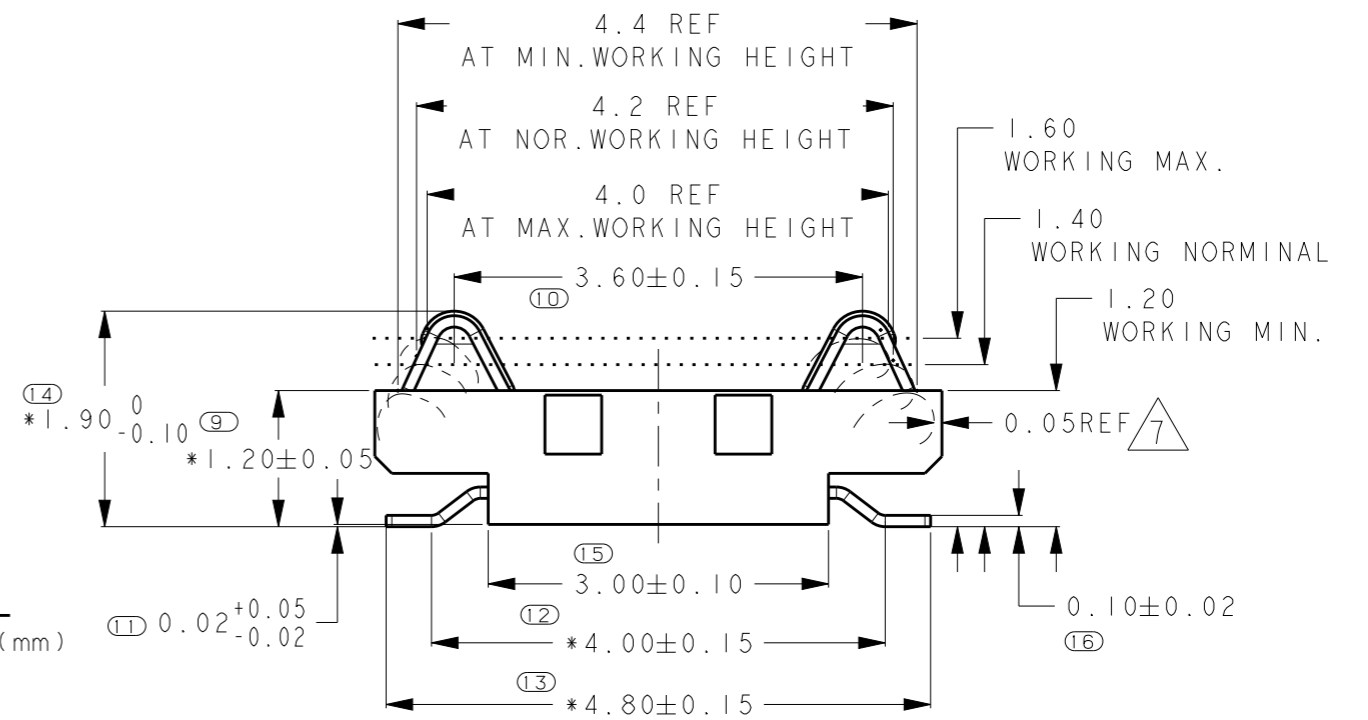
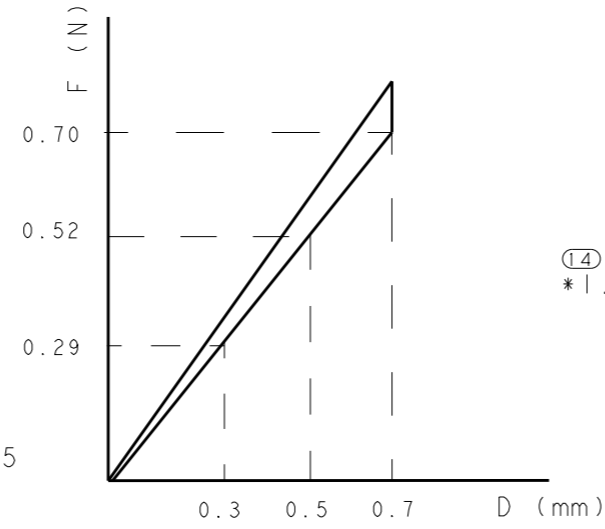


RECOMMEND PWB LAYOUT

RECOMMEND MATING LAYOUT

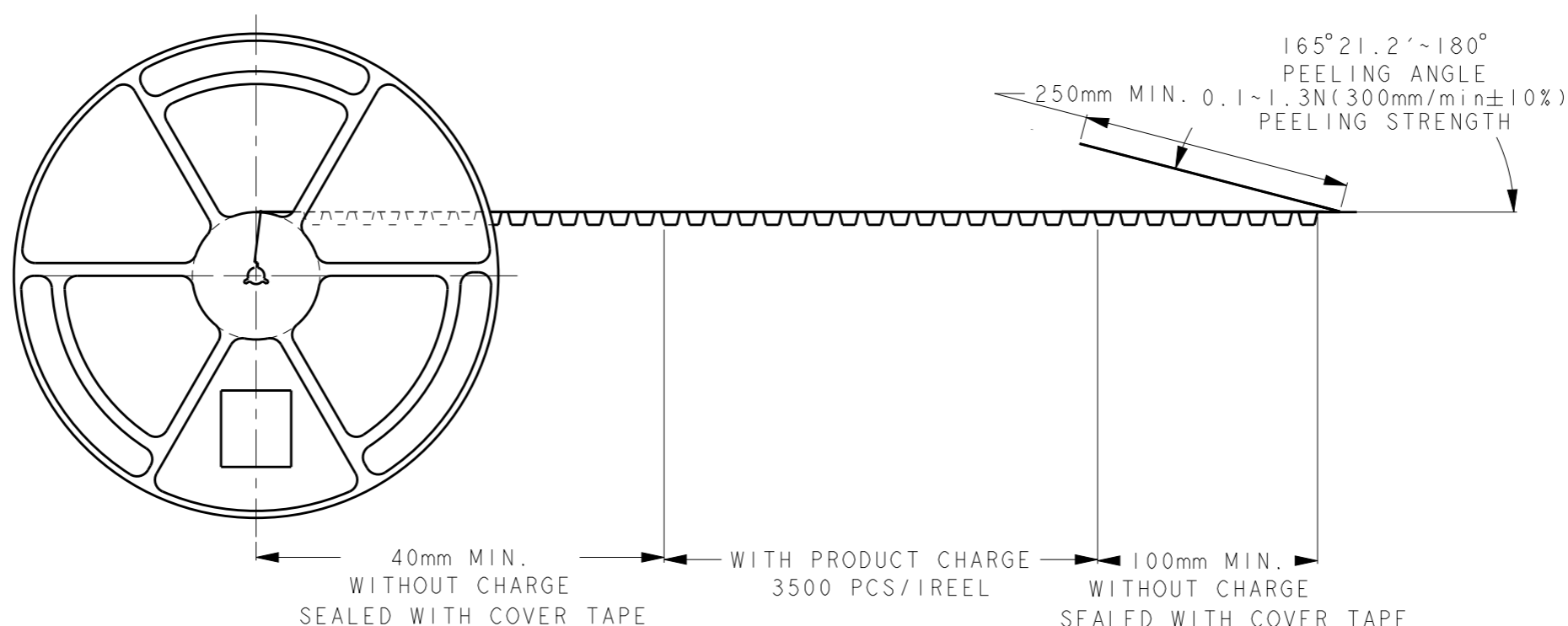
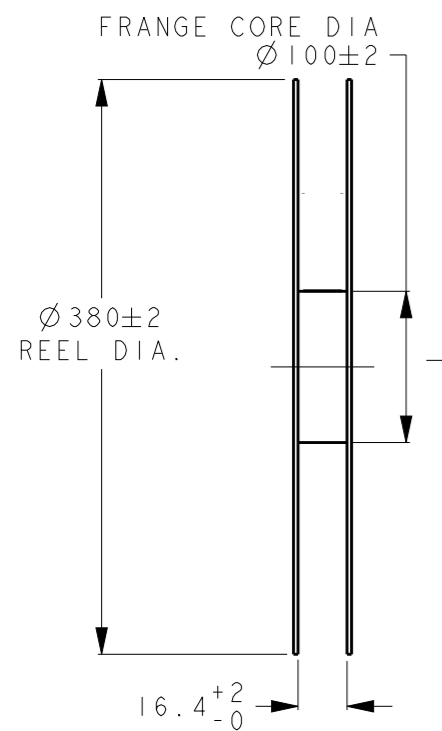
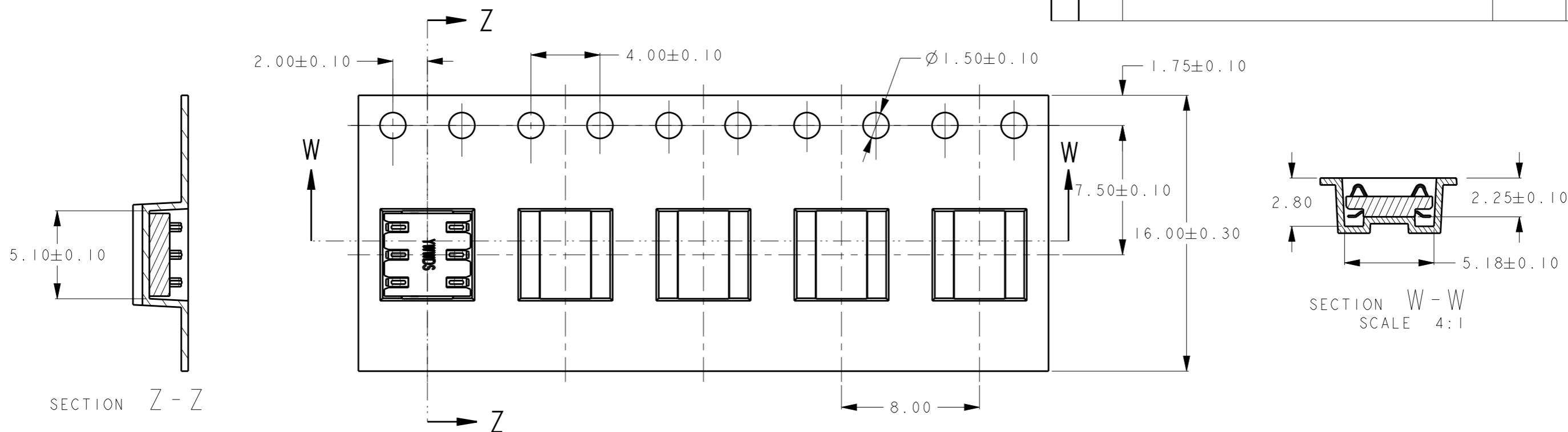


NORMAL FORCE CURVE




- NOTES:
- MATERIAL
 TERMINAL : PHOSPHOR BRONZE C5210HF, THICKNESS 0.10mm.
 HOUSING : HIGH TEMPERATURE THERMO PLASTIC UL94V-0 BLACK
 - FINISH
 TERMINAL : 0.1-0.2 μ m GOLD PLATING ON CONTACT AREA,
 1.27 MIN. NICKLE UNDER PLATING,
 0.025-0.075 μ m GOLD PLATING ON SOLDERING AREA.
 - 3 COPLANARITY : BEFORE REFLOW 0.08 MAX, AFTER REFLOW 0.1MAX
 - PACKAGING : TAPE & REEL.
 - DATE CODE: "YWWDS"
 YWW = PRODUCTION DATE (YEAR, WEEK, DAY).
 S = SHIFT (D=DYA, N=NIGHT)
 - 6 CONTACT CAN NOT TOUCH PCB & TAIL WHEN PRESS TO HOUSING SURFACE.
 - CONTACT CAN NOT EXCEED HOUSING EDGE WHEN PRESS TO HOUSING SURFACE
 - * MEANS KEY DIMENSIONS FOR CUSTOMER

THIS DRAWING IS A CONTROLLED DOCUMENT.		DWN	13NOV2013	STE TE Connectivity			
		CHK	13NOV2013				
		APVD	13NOV2013				
		PRODUCT SPEC	WENKE HE				
DIMENSIONS: mm		TOLERANCES UNLESS OTHERWISE SPECIFIED: ± 0.15		NAME ONE PIECE BtoB CONNECTOR 6 PINS, 1.6MM PITCH, HI. 4, TWO ROWS			
		0 PLC \pm 1 PLC \pm 2 PLC \pm 3 PLC \pm 4 PLC \pm ANGLES $\pm 3^\circ$					
MATERIAL		FINISH		SIZE	CAGE CODE	DRAWING NO	RESTRICTED TO
				A300779	G-2199170		
		CUSTOMER DRAWING		SCALE	SHEET	OF	REV
				20:1	1	2	A



NOTES:
 1. MATERIAL: P.S CLEAR, 0.4MM THICKNESS.
 2. QUANTITY PER REEL: 3500 PIECES.

THIS DRAWING IS A CONTROLLED DOCUMENT.		DWN	13NOV2013	 TE Connectivity	NAME ONE PIECE BtoB CONNECTOR 6 PINS, 1.6MM PITCH, HI.4 TWO ROWS
DIMENSIONS: mm		CHK	13NOV2013		
TOLERANCES UNLESS OTHERWISE SPECIFIED: ±0.20		APVD	13NOV2013		
0-PLC ± 1-PLC ± 2-PLC ± 3-PLC ± 4-PLC ± ANGLES ±5°		PRODUCT SPEC	-		
MATERIAL		FINISH	-	APPLICATION SPEC	-
-		WEIGHT	-	SIZE	A300779
-		CUSTOMER DRAWING	-	CAGE CODE	C-2199170
-		SCALE	20:1	DRAWING NO	-
-		SHEET	2 OF 2	RESTRICTED TO	-
-		REV	A		