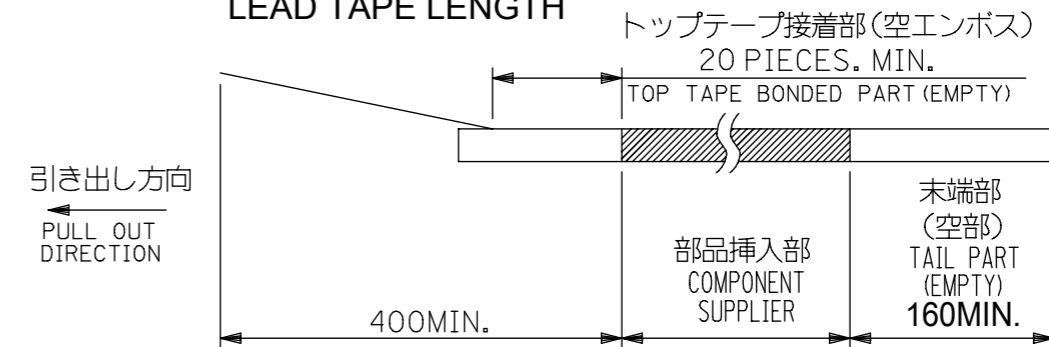


NOTES

1. 製品詳細寸法は製品単体図面を参照して下さい。
 FOR DETAIL OF CONNECTOR DIMENSIONS, PLEASE SEE THE DRAWING OF CONNECTOR ITSELF (NOT PACKAGED).

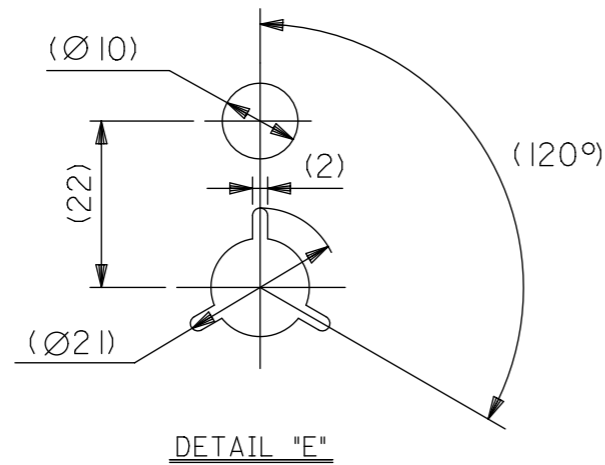
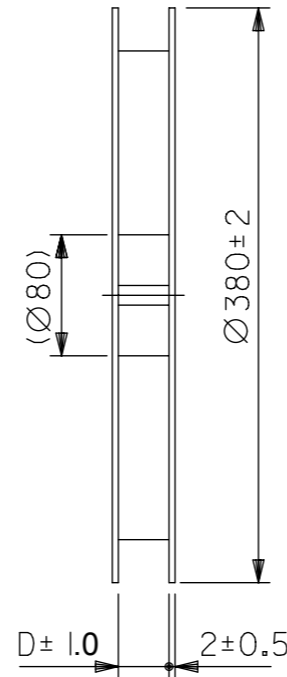
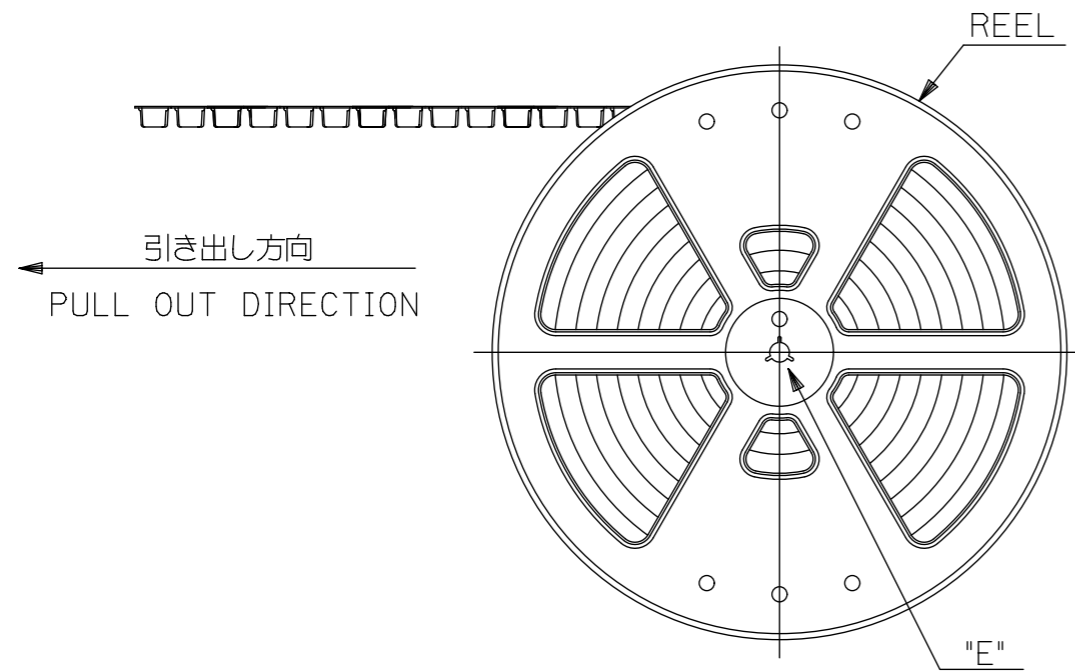
2. 梱包数量 : 1300個/リール
 NUMBER OF CONNECTORS : 1300 PIECES/REEL

3. リードテープ長さ
 LEAD TAPE LENGTH



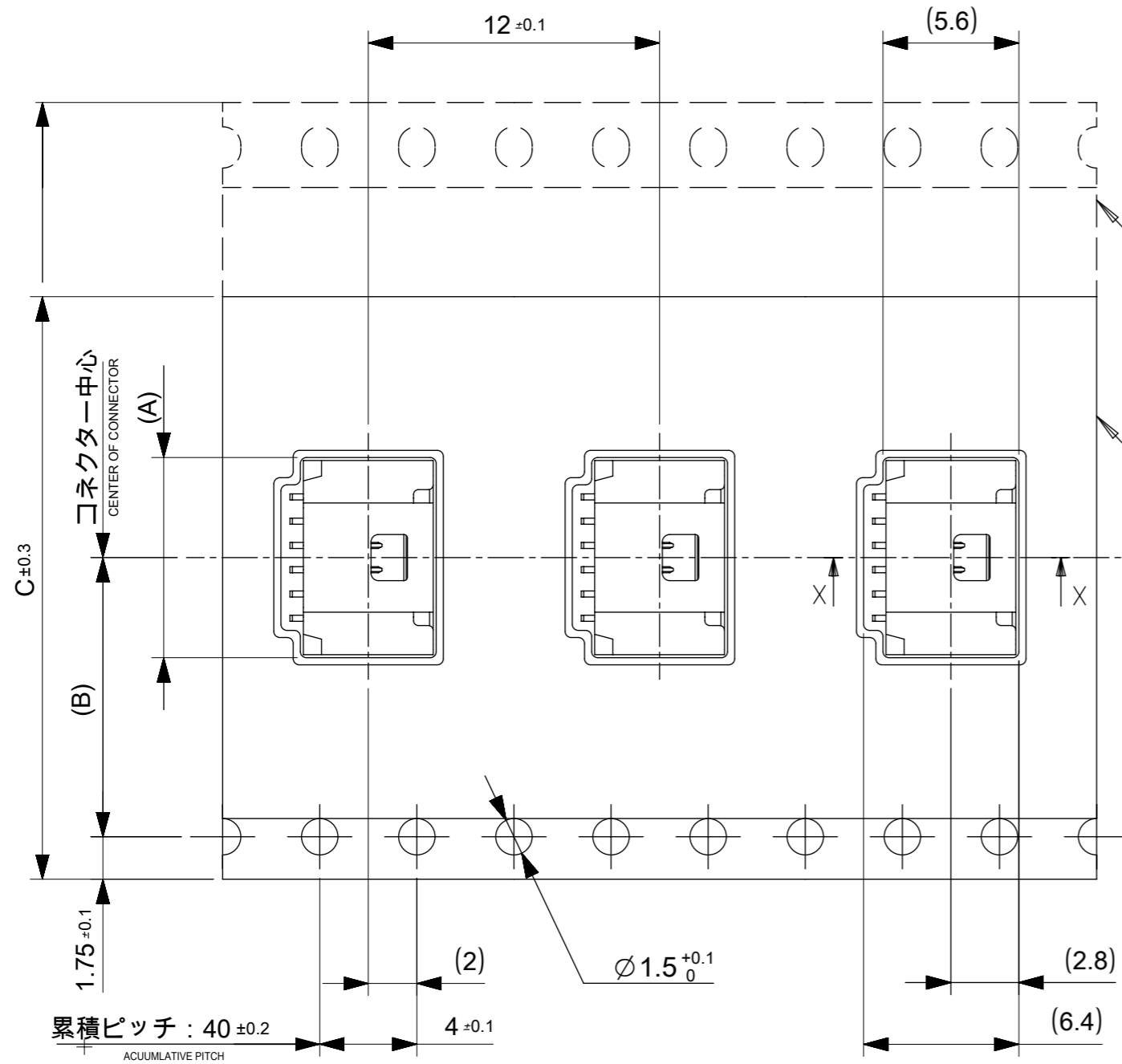
4. 材料
 MATERIAL
 CARRIER TAPE : POLYPROPYLENE.
 トッptape : PET, PE, REF
 TOP TAPE : PET, PE, REF.
 リール : ポリスチレン<リサイクル材を含む>

5. ELV AND RoHS COMPLIANT.



THIS DRAWING CONTAINS INFORMATION THAT IS PROPRIETARY TO MOLEX ELECTRONIC TECHNOLOGIES, LLC AND SHOULD NOT BE USED WITHOUT WRITTEN PERMISSION

EC NO: 111079 DRWN: QHE31 CHK'D: SAKIYAMA APPR: TKANEKO	2016/12/05 2016/12/05	GENERAL TOLERANCES (UNLESS SPECIFIED)		DIMENSION UNITS MM	SCALE NTS					
	4 PLACES ± 0.2 3 PLACES ± 0.2 2 PLACES ± 0.2 1 PLACE ± 0.2 0 PLACES ± 0.2	ANGULAR TOL ± 1.0 °		DRWN BY KOMORI	DATE 2016/09/01					PICO-CRASP 1.0W/B 1-ROW R/A 6-15 CKT. INNER LOCK TYPE EMBOSSED TAPE PKG (GOLD VERSION)
	DRAFT WHERE APPLICABLE MUST REMAIN WITHIN DIMENSIONS		APPR BY TKANEKO	DATE 2016/09/21	CHK'D BY SAKIYAMA	DATE 2016/09/21	PRODUCT CUSTOMER DRAWING			
	REVISED	B	DRAWING SIZE A3	THIRD ANGLE PROJECTION	SERIES 202396	MATERIAL NUMBER SEE SHEET2				
	RELEASE STATUS P1 RELEASE DATE 05.12.2016 08:03:47		DATE: 2015/12/14		DOCUMENT NUMBER 2023960607		DOC TYPE PSD	DOC PART 000	SHEET NUMBER 1 OF 2	



32mm幅テープ
TAPE WIDTH : 32mm

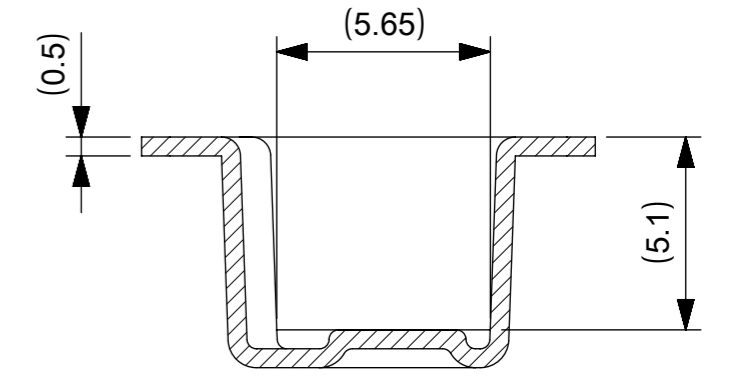
24mm幅テープ
TAPE WIDTH : 24mm

CONNECTOR

TOP TAPE

EMBOSSSED TAPE

CKT NO.1

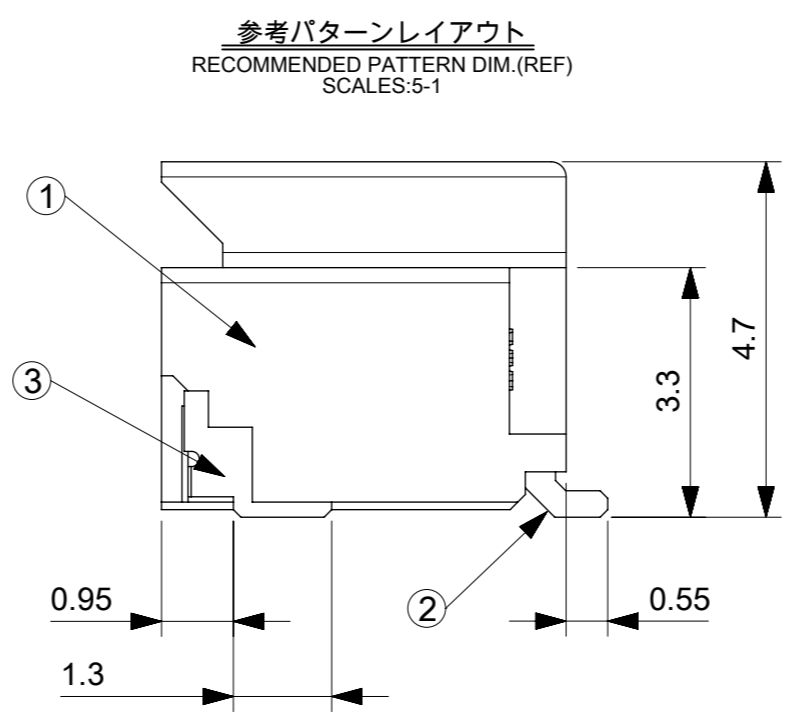
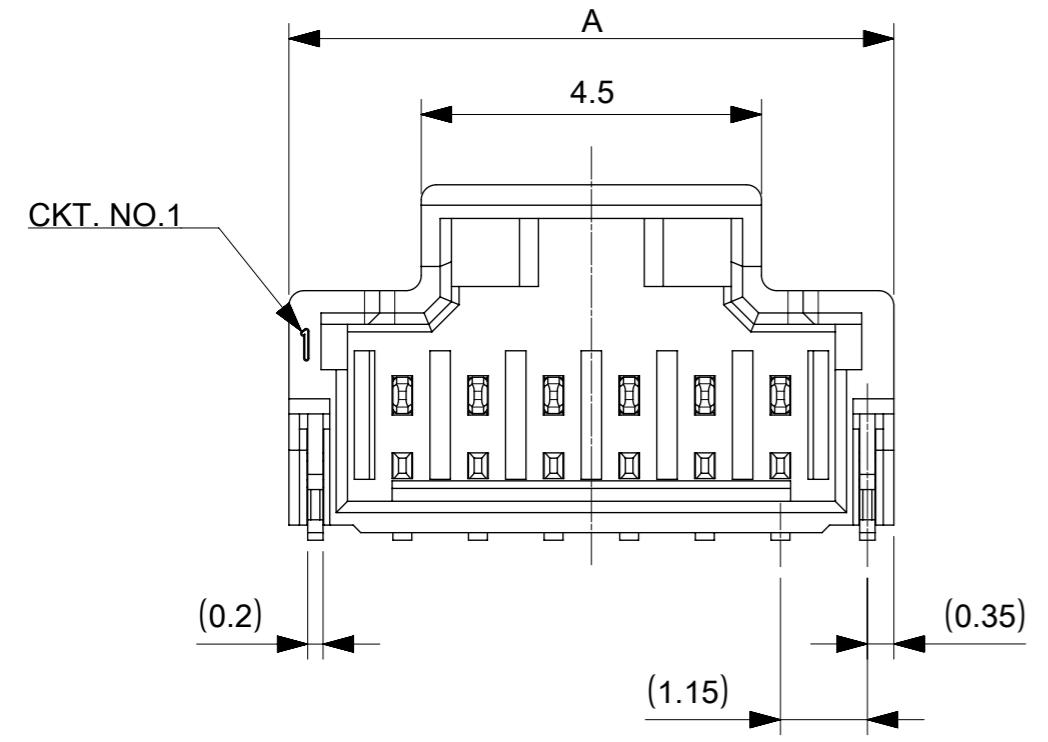
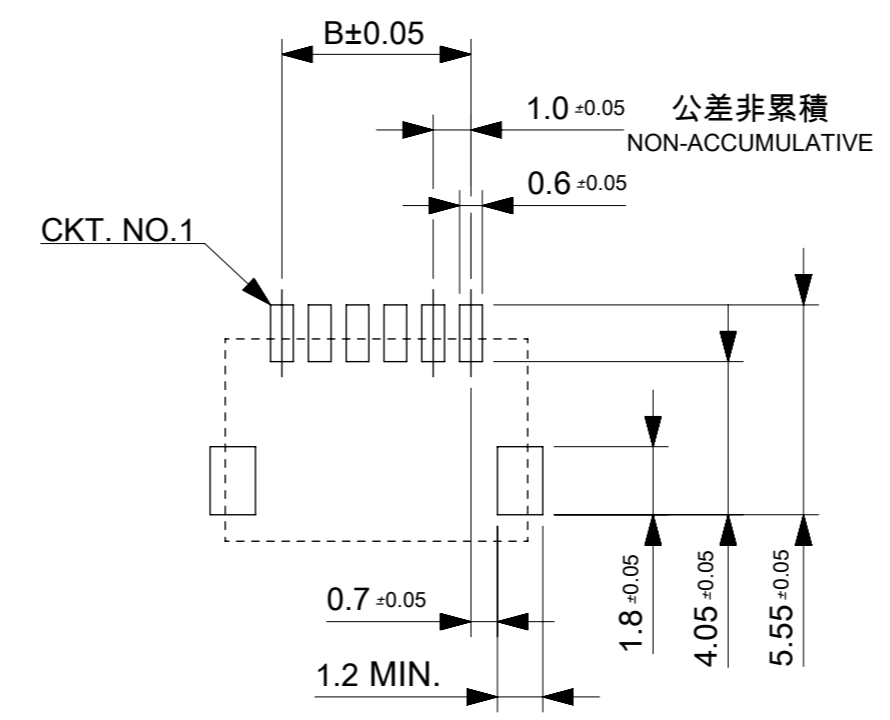
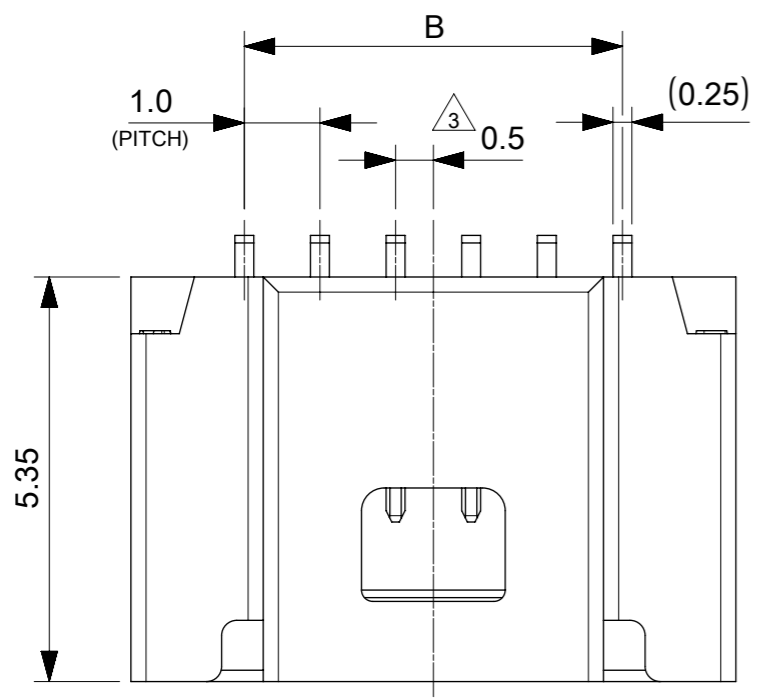


SECT. X-X
SCALE 4:1

2023961507	2023961509	33.5	32	14.2	17.3	15	
2023961407	2023961409				16.3	14	
2023961307	2023961309				15.3	13	
2023961207	2023961209	25.5	24	11.5	14.3	12	
2023961107	2023961109				13.3	11	
2023961007	2023961009				12.3	10	
2023960907	2023960909				11.3	9	
2023960807	2023960809				10.3	8	
2023960707	2023960709				9.3	7	
2023960607	2023960609	8.3	6				
EMBOSSSED TAPE PKG. オーダー番号 ORDER NO.		CONNECTOR NO.	D	C	(B)	(A)	極数 CKT.

THIS DRAWING CONTAINS INFORMATION THAT IS PROPRIETARY TO MOLEX ELECTRONIC TECHNOLOGIES, LLC AND SHOULD NOT BE USED WITHOUT WRITTEN PERMISSION

REVISED	2016/12/05	GENERAL TOLERANCES (UNLESS SPECIFIED)	DIMENSION UNITS	SCALE	molex [®]			
	2016/12/05		MM	NTS				
	2016/12/05		DRWN BY	DATE		PICO-CRASP 1.0W/B 1-ROW R/A 6-15 CKT. INNER LOCK TYPE EMBOSSSED TAPE PKG (GOLD VERSION)		
	2016/12/05		KOMORI	2016/09/01				
2016/12/05	CHK'D BY	DATE						
EC NO: 111079	DRWN: QHE31	4 PLACES ± 0.2	SAKIYAMA	2016/09/21	PRODUCT CUSTOMER DRAWING			
REV	CHK'D: SAKIYAMA	3 PLACES ± 0.2	APPR BY	DATE				
B	REV	2 PLACES ± 0.2	TKANEKO	2016/09/21	SERIES	MATERIAL NUMBER	CUSTOMER	
		1 PLACE ± 0.2	DRAWING SIZE	THIRD ANGLE PROJECTION	202396	SEE SHEET2	GENERAL	
		0 PLACES ± 0.2	A3		DOCUMENT NUMBER	DOC TYPE	DOC PART	SHEET NUMBER
		DRAFT WHERE APPLICABLE MUST REMAIN WITHIN DIMENSIONS			2023960607	PSD	000	2 OF 2



番号 NO.	部品 PART	材質 MATERIAL
①	ウェハー WAFER	耐熱ナイロン、UL94V-0、色：自然色 HEAT RESISTANCE NYLON,UL94V-0 COLOR:NATURAL
②	ソルダーピン SOLDER PIN	りん青銅 PHOSPHOR BRONZE 金めっき(接触部)：0.1 MICRO METER MINIMUM. GOLD PLATING (CONTACT AREA) 金めっき(テール部):0.05 MICRO METER MINIMUM. GOLD PLATING (TAIL AREA) ニッケルめっき(下地)：1.0 MICRO METER MINIMUM. NICKEL (UNDER PLATING)
③	ネイル NAIL	黄銅 BRASS すずめっき：1.0 MICRO METER MINIMUM. TIN PLATING ニッケル下地めっき：1.0 MICRO METER MINIMUM. NICKEL UNDER PLATING

2023961507	2023961509	14.0	17.0	15	
2023961407	2023961409	13.0	16.0	14	
2023961307	2023961309	12.0	15.0	13	
2023961207	2023961209	11.0	14.0	12	
2023961107	2023961109	10.0	13.0	11	
2023961007	2023961009	9.0	12.0	10	
2023960907	2023960909	8.0	11.0	9	
2023960807	2023960809	7.0	10.0	8	
2023960707	2023960709	6.0	9.0	7	
2023960607	2023960609	5.0	8.0	6	
EMBOSSED PACKAGE オーダー番号 ORDER NO.		CONNECTOR NO. 202396**09	B	A	極数 CKT.

- NOTES:**
1. 嵌合相手：501330-****
MATE WITH：501330-****
 2. ソルダーピン及びネイルの平坦度は0.1MAX.
SOLDER PIN AND NAIL COPLANARITY TO BE 0.1MAX.
 - △ 極数=偶数に適用
APPLY FOR CKT. SIZE=EVEN
 4. 2～5極は、PSD2023960209を参照下さい。
REFER TO PSD2023960209 ABOUT 2-5CKT.
 5. ELV AND RoHS COMPLIANT.

THIS DRAWING CONTAINS INFORMATION THAT IS PROPRIETARY TO MOLEX ELECTRONIC TECHNOLOGIES, LLC AND SHOULD NOT BE USED WITHOUT WRITTEN PERMISSION

REVISED EC NO: 111079 DRWN: QHE31 CHK'D: SAKIYAMA APPR: TKANEKO	2016/12/05	2016/12/05	2016/12/05	GENERAL TOLERANCES (UNLESS SPECIFIED) ANGULAR TOL ± 1.0 ° 4 PLACES ± 0.2 3 PLACES ± 0.2 2 PLACES ± 0.2 1 PLACE ± 0.2 0 PLACES ± 0.2 DRAFT WHERE APPLICABLE MUST REMAIN WITHIN DIMENSIONS	DIMENSION UNITS MM	SCALE 10:1	<p>PICO-CRASP 1.0 W/B 1-ROW R/A ASS'Y 6-15 CKT. INNER LOCK TYPE (GOLD VERSION)</p> <p>PRODUCT CUSTOMER DRAWING</p>	
	DRWN BY KOMORI	DATE 2016/09/01	CHK'D BY SAKIYAMA		DATE 2016/09/21	DRAWING SIZE A3		THIRD ANGLE PROJECTION
	APPR BY TKANEKO	DATE 2016/09/21	SERIES 202396		MATERIAL NUMBER SEE TABLE	CUSTOMER GENERAL		
	DOCUMENT NUMBER 2023960609	DOC TYPE PSD	DOC PART 000		SHEET NUMBER 1 OF 1			