


## SACC-FR-5CON-PG 7-M SCO

Order No.: 1543061

<http://eshop.phoenixcontact.de/phoenix/treeViewClick.do?UID=1543061>Sensor/actuator connector, female, angled, 5-pos., M12 SPEEDCON,  
A-coded, screw connection, metal knurl, cable screw connection PG 7

| Commercial data          |   |
|--------------------------|---|
| GTIN (EAN)               | <br>4 046356 097574 |
| sales group              | D121  |
| Pack                     | 1 pcs.  |
| Customs tariff           | 85444290  |
| Catalog page information | Page 45 (PC-2009)   |

**Product notes**WEEE/RoHS-compliant since:  
05/01/2006

<http://www.download.phoenixcontact.com>  
Please note that the data given here has been taken from the online catalog. For comprehensive information and data, please refer to the user documentation. The General Terms and Conditions of Use apply to Internet downloads.

| Technical data        |        |
|-----------------------|--------|
| <b>General data</b>   |        |
| Rated current at 40°C | 4 A    |
| Rated voltage         | 60 V   |
| Number of positions   | 5      |
| Volume resistance     | ≤ 8 mΩ |

|                                 |  |
|---------------------------------|--|
| Insulation resistance           | ≥ 100 MΩ   |
| Ambient temperature (operation) | -40 °C ... 85 °C (Male connector / female connector) |

**General characteristics**

|  |                               |
|--|-------------------------------|
| Standards/regulations                  | M12 connector IEC 61076-2-101 |
| Coding                                 | A - standard                  |
| Surge voltage category                 | II                            |
| Pollution degree                       | 3                             |
| Degree of protection                   | IP67                          |
| Contact material                       | CuZn                          |
| Contact surface material               | CuSnZn                        |
| Contact carrier material               | PA 66                         |
| Material of grip body                  | PBT                           |
| Material, knurls                       | Nickel-plated brass           |
| Sealing material                       | NBR                           |
| Type of connection                     | Screw connection              |
| Conductor cross section stranded min.  | 0.25 mm <sup>2</sup>          |
| Conductor cross section stranded max.  | 0.75 mm <sup>2</sup>          |
| Conductor cross section AWG/kcmil min. | 24                            |
| Conductor cross section AWG/kcmil max  | 18                            |
| External cable diameter                | 4 mm ... 6 mm                 |
| Status display                         | No                            |

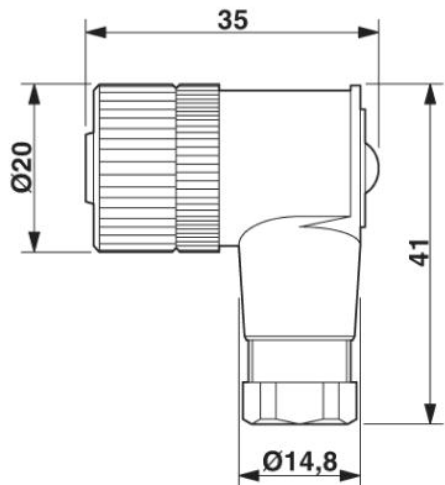
**Accessories**

| Item           | Designation          | Description   |
|----------------|----------------------|---|
| <b>General</b> |                      |   |
| 1436505        | SACC-M12-SET/2,5-3,5 | Sensor/actuator connector, accessories, pressure screw and Pg7 seal, for unshielded M12 connector, cable diameter 2.5 mm - 3.5 mm |

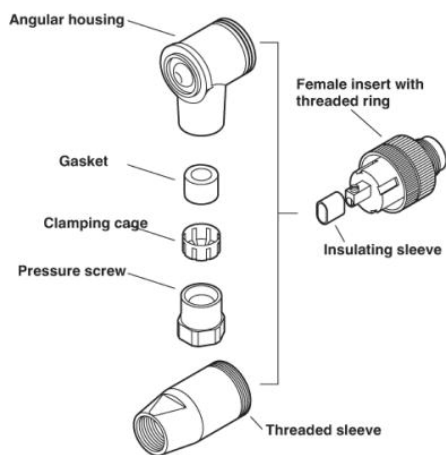
Diagrams/Drawings

Dimensioned drawing

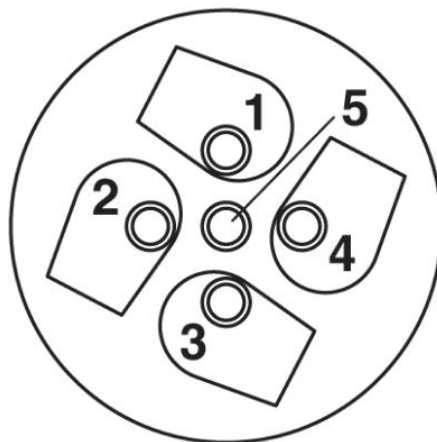
M12 x 1 female connector, angled



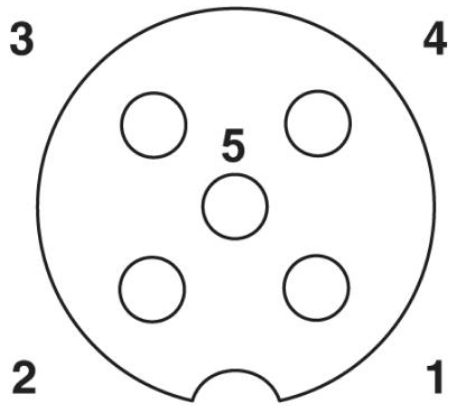
Schematic diagram



Male/Female M12



Cable connection side M12 (screw connection)



Pin assignment M12 socket, 5-pos., A-coded, socket side view

**Address**

PHOENIX CONTACT Inc., USA  
586 Fulling Mill Road  
Middletown, PA 17057, USA  
Phone (800) 888-7388  
Fax (717) 944-1625  
<http://www.phoenixcon.com>



© 2010 Phoenix Contact  
Technical modifications reserved;