

5

4

3

2

1

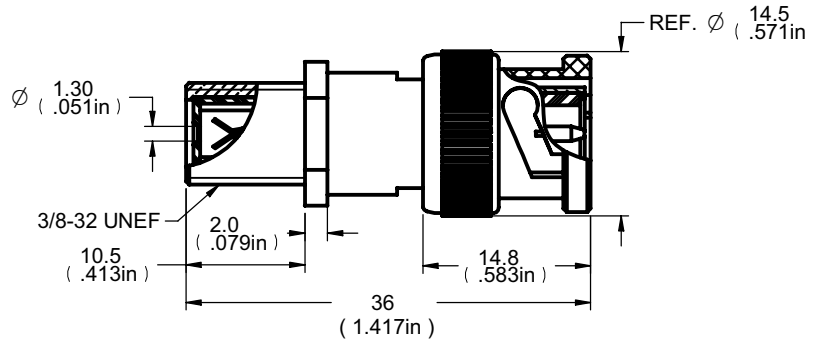
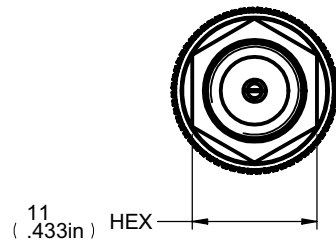
受控 CONTROLLED DOCUMENT

编号 P/N	25-7500-CUST	版本 Rev	01	日期 Rel'd Date	May8,09
-----------	--------------	-----------	----	------------------	---------

DRAWING NO. 25-7500-CUST					
REVISIONS					
01 OFFICIAL RELEASE					
03-11-09	J	J	T	T	Thomas Chow 2009.05.07 09:29:40 +08'00'



Description: F female to BNC male adapter
 Part No: 25-7500
 Application: Adapter
 Crimp Tool: N/A
 Impedance: N/A
 Frequency Range: 0-750 MHz
 Material: Body Brass Nickel plated
 Contact Beryllium Nickel plated
 Insulator Delrin
 Nut Zinc Nickel plated
 RoHS Compliance: Yes
 Technical Detail: F End Refer to Emerson Document P/N 25-0000
 BNC End Refer to Emerson Document P/N 27-0000



DIM OUTLINE

TOLERANCE UNLESS OTHERWISE SPECIFIED		DRAWN BY	DATE
DECIMALS	mm	JEAN.JIN	03-11-09
X	± 0.5	CHECKED BY	DATE
X.X	± 0.3	TERRY.W	03-11-09
X.XX	± 0.1	APPROVED BY	DATE
ANGLES	± 0.5°	THOMAS	03-12-09
		U/M	mm



TITLE
F FEMALE TO BNC MALE ADAPTER

THIS DRAWING WAS PRODUCED BY COMPUTER, DO NOT SCALE DRAWING OR UPDATE MANUALLY.

SHEET 1 OF 1	DRAWING NO. 25-7500-CUST	SIZE A
-----------------	------------------------------------	-----------

CUSTOMER COPY

5

4

3

2

1