

SPECIFICATION FOR APPROVAL



TO: _____

PART NO.		REV.		DELTA SAMPLE ISSUE NO	
PART NAME	POWER ENTRY MODULE			DELTA MODEL	10C1
ORDER P/N.	10C1			SAMPLE ISSUE DATE	

1. ELECTRICAL CHARACTERISTICS:

1-1. VOLTAGE RATING 250VAC

1-2. CURRENT RATING

A. AT 115/250VAC 10 A RMS Max.

1-3. HIPOT RATING (FOR ONE MINUTE)

A. LINE TO GROUND 2000VAC

B. LINE TO LINE 2000VAC

1-4. MINIMUM INSERTION RESISTANCE: @500VDC

A. LINE & NEUTRAL TO GROUND 10M OHM

B. LINE TO NEUTRAL 10M OHM

1-5. SAFETY

REPORT BY	CHECKED BY	APPROVED BY		
			REV.	

DELTA ELECTRONICS, INC.

186 RUEY KUANG ROAD, NEIHU, TAIPEI 114,
TAIWAN, R.O.C.
TEL:886-2-87972088 FAX:886-2-87972120

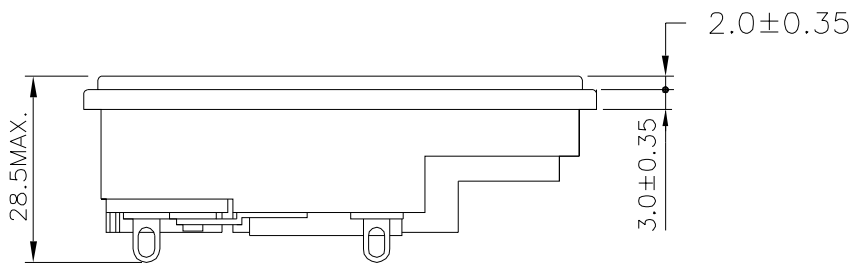
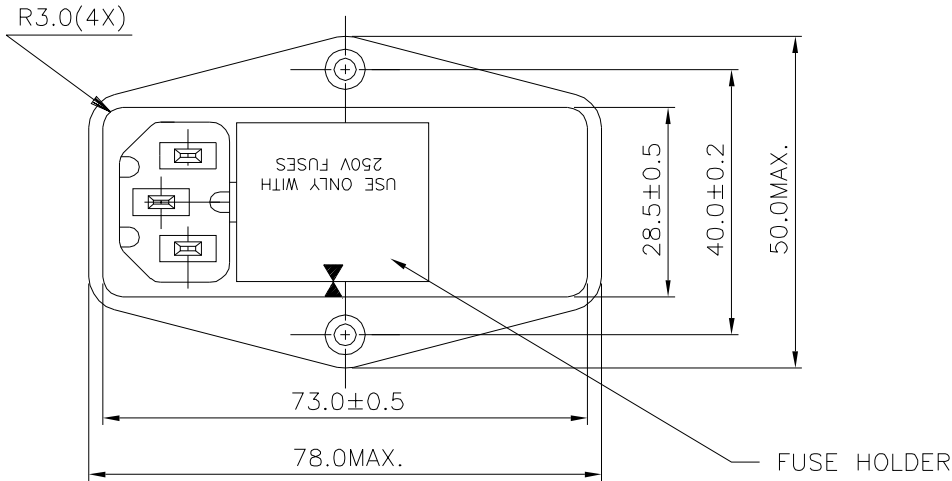
SPECIFICATION FOR APPROVAL



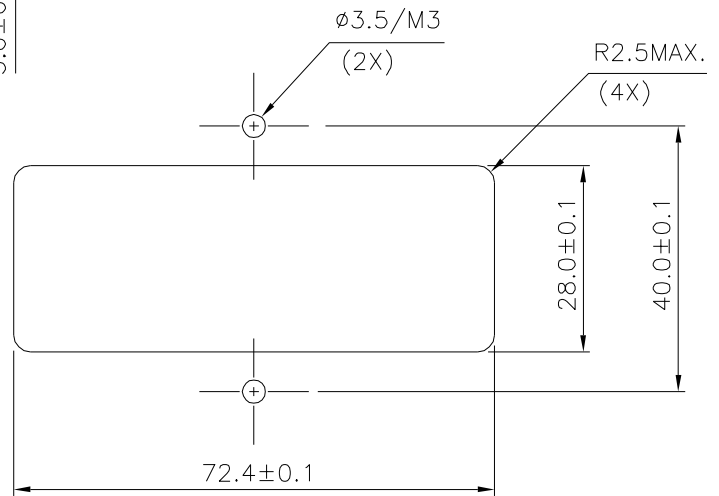
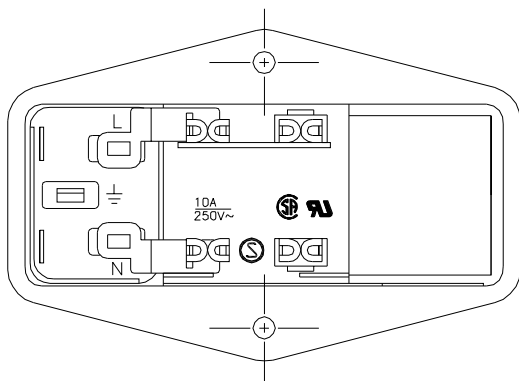
TO: _____

PART NO.		REV.		DELTA SAMPLE ISSUE NO	
PART NAME	POWER ENTRY MODULE		DELTA MODEL		10C1
ORDER P/N.	10C1		SAMPLE ISSUE DATE		

1. PHYSICAL DIMENSIONS:

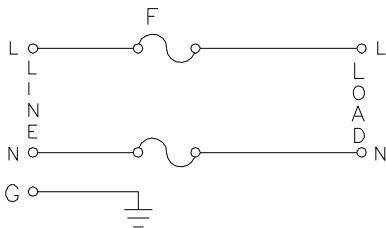


UNIT: mm



MOUNTING CUTOUT

2. ELECTRICAL SCHEMATIC:



REPORT BY	CHECKED BY	APPROVED BY	UNLESS OTHERWISE SPECIFIED DIMENSION TOLERANCE DCEIMALS .X± .XX± ANGLES±		
			REV.		

DELTA ELECTRONICS, INC.

186 RUEY KUANG ROAD, NEIHU. TAIPEI 114,
TAIWAN, R.O.C.
TEL:886-2-87972088 FAX:886-2-87972120