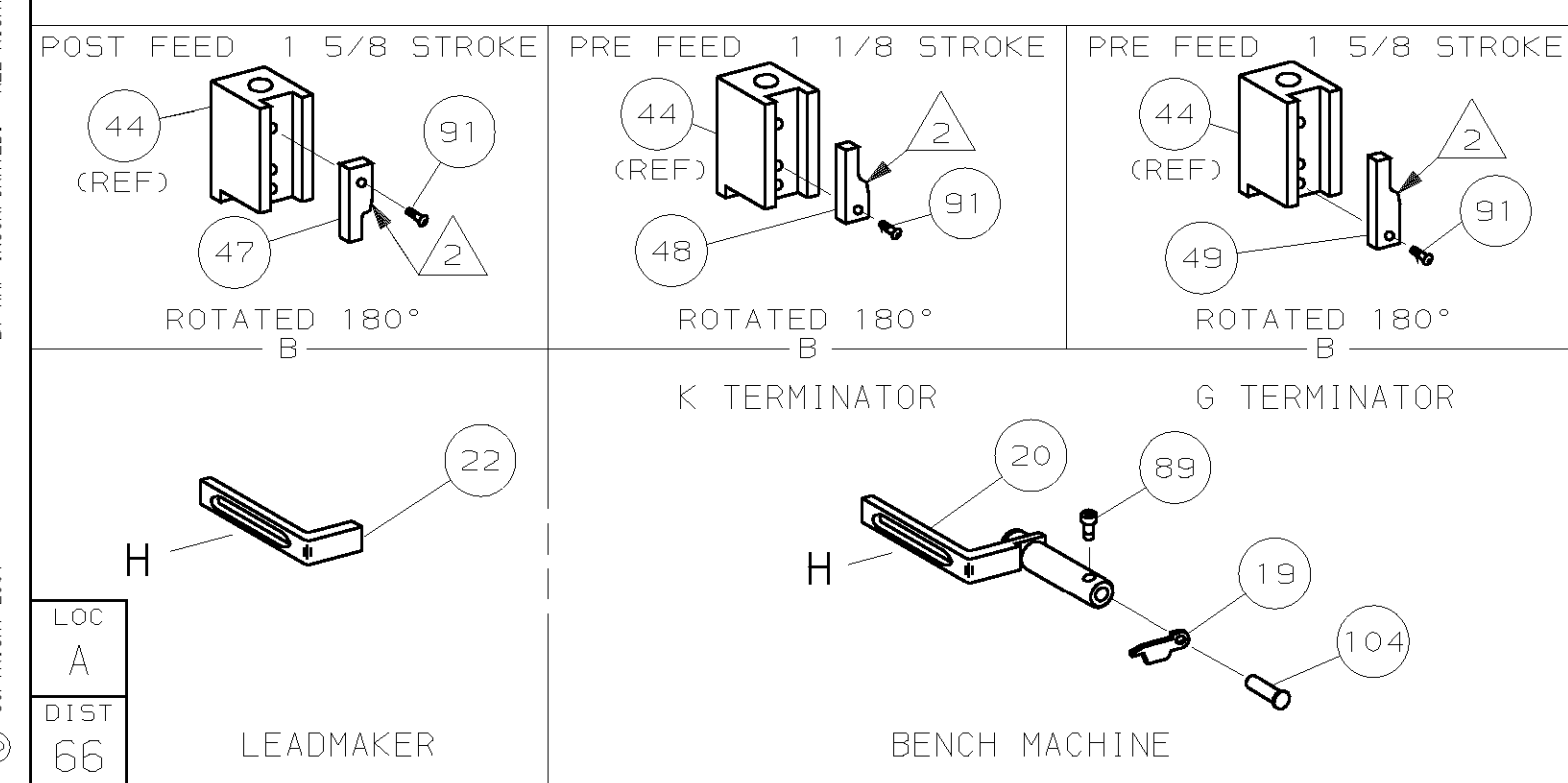
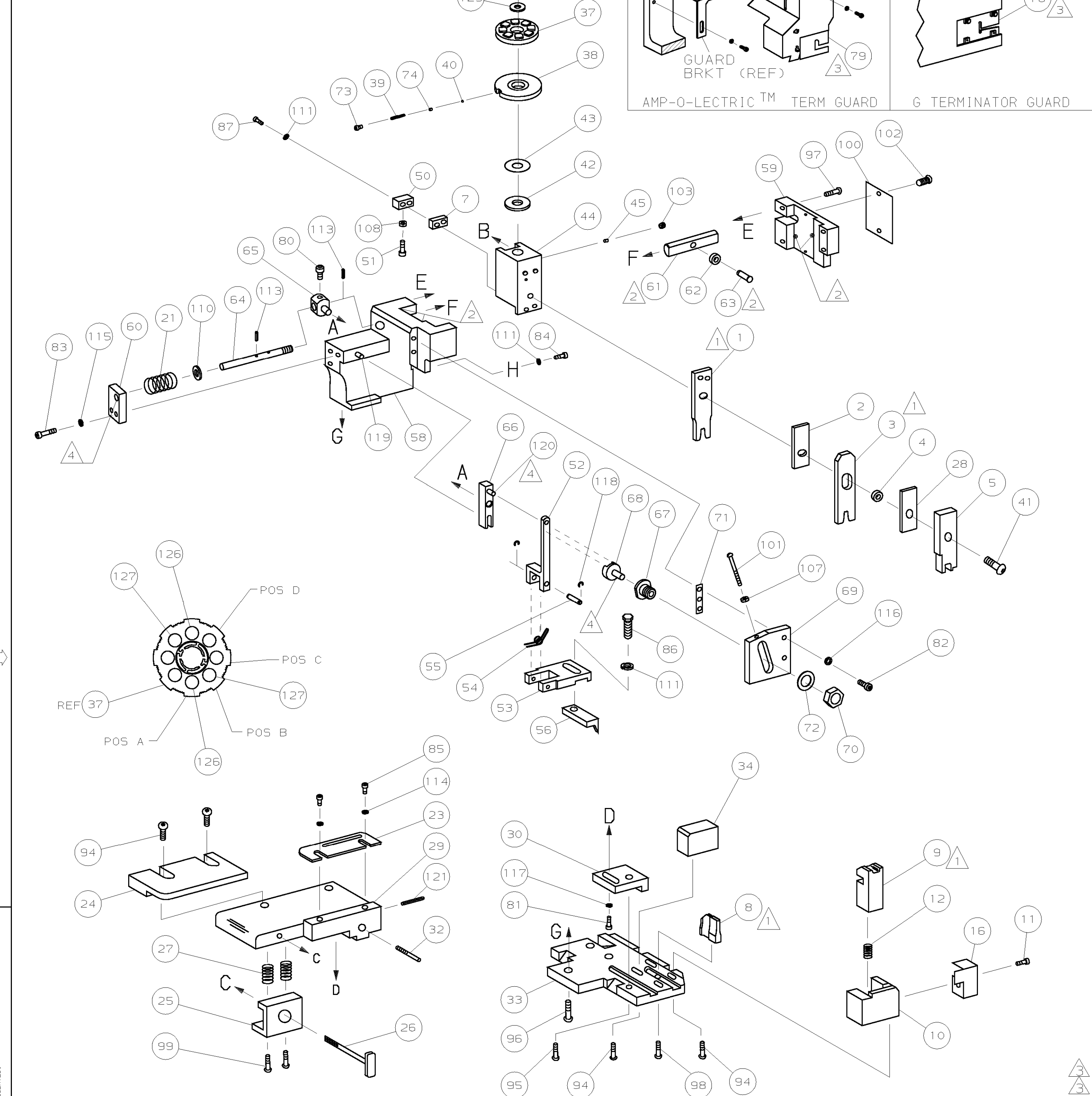


PART NUMBER	REV	FIRST USED
1385248-1	A	122500-1
1385248-2	A	565435-5
1385248-3	A	354500-1



- 1 RECOMMENDED SPARE PARTS.
- 2 GREASE LIGHTLY.
- 3 GUARD MUST BE IN PLACE WHEN OPERATING APPLICATOR IN A BENCH MACHINE.
- 4 LUBRICATE DAILY USING NO. 20 MACHINE OIL.
- 5. ITEMS WITH QTY OF REF SPECIFIED (EXCEPT ITEMS 78 AND 79) ARE USED ON ITEM 46.

TERMINAL NAME: LOWER MINI POWER DRAWER CRIMP CONTACT			
1489128		AMP TERMINAL AMP CRIMP SPECS	
PAD LTR	CRIMP HEIGHT	WIRE SIZE	
A	.055 ±.002 [1.41 ±0.05mm]	18	
B	.055 ±.002 [1.41 ±0.05mm]	20	
C	NOT	USED	
D	NOT	USED	
CRIMP	SIZE	TYPE	RANGE
WIRE	.090 [2.29mm]	F	20-18
INSUL	.130 [3.30mm]	F	-

WIRE STRIP LENGTH	TERM APPL SPEC	FEED	APPL INSTRUCTION	SET UP GAGE	LAYOUT	
.188-.219	NONE	.472	408-8040	458637-1	L2516	129
2	2	2	-	C	3-354779-0	PIN, WIRE DISC (.3140)B 127
2	2	2	-	C	3-354779-2	PIN, WIRE DISC (.3150)A 126
1	1	1	-	A	986950-1	WASHER, FLAT PRECISION 125
1	1	1	-	A	217238-1	GENERAL INSTRUCTION PACKAGE 124
1	1	1	-	-	4088040	SF APPL INST 408-8040 123
1	1	1	-	-		122
1	1	1	-	A	4-21028-0	PIN,SLT SPR(ø.093x.75)ST GDE PL 121
REF	REF	REF	-	A	1-21030-1	PIN,DOWEL(ø.187x.50)LEVER 120
REF	REF	REF	-	A	1-21030-6	PIN,DOWEL(ø.187x1.25)HOUSING 119
REF	REF	REF	-	A	21045-3	RING,RET "C"(ø.187)FD FING PIN 118
1	1	1	-	A	21024-5	WASHER, LOCK(#10)ADJ BLOCK 117
REF	REF	REF	-	A	21024-5	WASHER,LOCK(#10)ADJ PLATE 116
REF	REF	REF	-	A	21024-5	WASHER,LOCK(#10)FEED GDE ROD 115
2	2	2	-	A	21024-2	WASHER,LOCK(#4)FRONT STP GUIDE 114
REF	REF	REF	-	A	5-21028-1	PIN,SLT SPR(ø.125x.50)ADJ ROD 113
						112
4	4	4	-	A	21024-4	WASHER,LOCK(#8)STRIPPER 111
REF	REF	REF	-	A	21899-4	WASHER,FLAT(ø5/16)SCREW ADJ 110
						109
1	1	1	-	A	21018-5	NUT,HEX(NO.6)HOLDDOWN 108
REF	REF	REF	-	A	21068-5	NUT,HEX(6-32)FEED ADJ 107
						106
						105
1	1	-	-	A	992031-1	PIN, CLEVIS 104
1	1	1	-	A	21009-2	SCR,5KT SET(1/4-20x.25 LW)RAM 103
2	2	2	-	A	21017-2	SCR,DRIVE(#2x.19)ID PLATE 102
REF	REF	REF	-	A	6-23715-5	SCR,PAN HD(6-32x1.50)FEED ADJ 101
1	1	1	-	B	461264-1	PLATE, IDENTIFICATION 100
2	2	2	-	A	3-21002-0	SCR,BHC(10-32x.88)DRAG 99
1	1	1	-	A	22733-8	SCR,BHC(8-32x.38 LW)ANVIL 98
REF	REF	REF	-	A	2-21002-9	SCR,BHC(10-32x.75)CAP 97
REF	REF	REF	-	A	2-22733-8	SCR,BHC(1/4-20x.62)HOUSING 96
REF	REF	REF	-	A	2-21002-7	SCR,BHC(10-32x.50)5G ADJ BLOCK 95
6	6	6	-	A	2-21002-2	SCR,BHC(8-32x.50)TERM H DWN 94
						93
						92
1	1	1	-	A	1-21002-7	SCR,BHC(6-32x.38)CAM 91
						90
1	1	-	-	A	7-21000-9	SCR,SHC(4-40x.19)STRIPPER 89
						88
2	2	2	-	A	2-21000-8	SCR,SHC(8-32x.62)DEP-HOLD 87
1	1	1	-	A	2-22603-0	SCR,HEX HD(8-32x.31)FEED FINGER 86
2	2	2	-	A	1-21000-3	SCR,SHC(4-40x.25)F ST GUIDE 85
1	1	1	-	A	2-21000-7	SCR,SHC(8-32x.50)STRIPPER 84
REF	REF	REF	-	A	3-21000-7	SCR,SHC(10-32x.75)FEED ROD 6D 83
REF	REF	REF	-	A	3-21000-6	SCR,SHC(10-32x.62)FD ADJ BLK 82
1	1	1	-	A	3-21000-4	SCR,SHC(10-32x.38)5G ADJ BL 81
REF	REF	REF	-	A	3-21000-4	SCR,SHC(10-32x.38)PIVOT BLK 80
-	REF	-	-	B	455749-1	GUARD, WINDOW 79
REF	-	-	-	B	679532-1	INSERT, GUARD 78
						77
						76
						75
1	1	1	-	A	690603-1	SPRING, ASSIST 74
1	1	1	-	A	23030-1	SCR,SHC(6-32x.25 SL)INS DISC 73
REF	REF	REF	-	A	458109-1	WASHER, SPECIAL 72
REF	REF	REF	-	A	690517-1	SPACER 71
						70
						69
						68
						67
						66
						65
						64
						63
						62
						61
						60
						59
						58
						57
						56
						55
						54
						53
						52
						51
						50
						49
						48
						47
						46
						45
						44
						43
						42
						41
						40
						39
						38
						37
						36
						35
						34
REF	REF	REF	-	D	455675-1	PLATE, BASE 33
						32
						31
REF	REF	REF	-	B	455689-1	BLOCK, STRIP GUIDE ADJ 30
1	1	1	-	C	455671-1	PLATE, STRIP GUIDE 29
1	1	1	-	C	1-455888-0	SPACER, FRONT SHEAR DEP 28
2	2	2	-	A	1-22284-0	SPRING, DRAG 27
1	1	1	-	B	690546-1	LEVER, DRAG RELEASE 26
1	1	1	-	B	240792-1	DRAG, TERMINAL 25
1	1	1	-	D	7-690504-9	GUIDE, STRIP (REAR) 24
1	1	1	-	A	690438-1	GUIDE, STRIP (FRONT) 23
-	-	-	-	B	690472-2	STRIPPER 22
REF	REF	REF	-	A	4-22284-9	SPRING, FEED RETURN 21
1	1	-	-	A	679218-1	STRIPPER WIRE STOP ASSY 20
1	1	-	-	B	458949-1	STRIPPER 19
						18
						17
1	1	1	-	B	318563-1	GUARD, CHIP, FRONT 16
						15
						14
						13
1	1	1	-	A	5-22280-0	SPRING, SHEAR 12
1	1	1	-	B	690461-1	STOP, SHEAR 11
1	1	1	-	C	690459-1	HOLDER, SHEAR (FRONT) 10
1	1	1	-	C	454276-1	SHEAR, FLOAT (FRONT) 9
1	1	1	-	C	4-662187-1	ANVIL 8
1	1	1	-	C	6-240641-9	SPACER, DEPRESSOR (REAR) 7
						6
1	1	1	-	C	1-455889-4	DEPRESSOR, SHEAR (FRONT) 5
1	1	1	-	B	238011-7	SPACER, BLOCK CRIMPER 4
1	1	1	-	C	456134-5	CRIMPER, INSULATION 3
1	1	1	-	C	1-455888-2	SPACER, CRIMPER 2
1	1	1	-	C	1-456406-5	CRIMPER, WIRE 1

QTY	REF	U/M	DWG SIZE	PART NO	DESCRIPTION	ITEM NO
-3	-2	-1	U/M	DWG SIZE	PART NO	DESCRIPTION
REVISION OF EACH ASSY NO (WHEN BLANK, USE DWG REVISION)						
QTY REOD PER ASSY						
PARTS LIST						
DIMENSIONS IN INCHES. DO NOT SCALE PRINT. TOLERANCES UNLESS OTHERWISE SPECIFIED:						
DR R.O.WILSON						
CHK -						
2 PLC DEC ±						
3 PLC DEC ±						
4 PLC DEC ±						
ANGLES ±						
SURF TEXTURE. ✓						
REMOVE BURRS, BREAK SHARP EDGES R.015 MAX						
SCALE -						
D						
DWG NO 1385248						
SHEET 1 OF 1						
REV A						
MACHINE REF MINI APPL						
AMP Incorporated Harrisburg, PA 17105-3608						
CUSTOMER AND ASSEMBLY DRAWING						

THIS DRAWING IS A CONTROLLED DOCUMENT.

THIS DRAWING IS UNCLASSIFIED  
DATE 09 JUN 2001 BY AMP INCORPORATED. ALL RIGHTS RESERVED.  
AMP 1756 REV 3-92