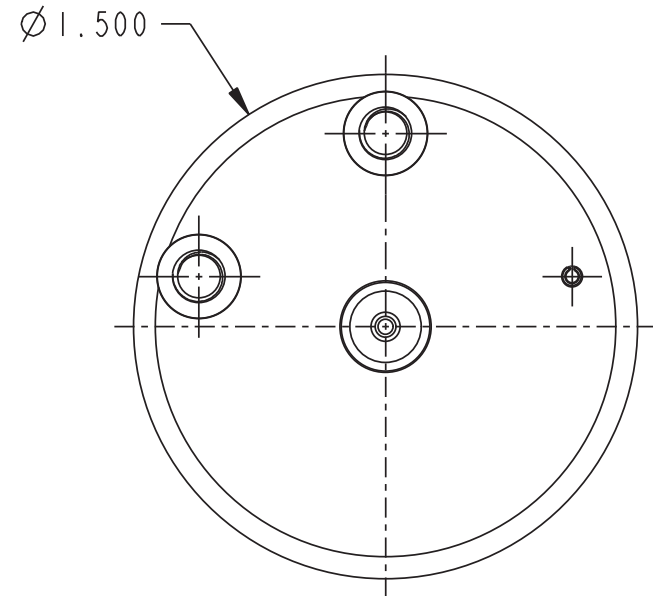
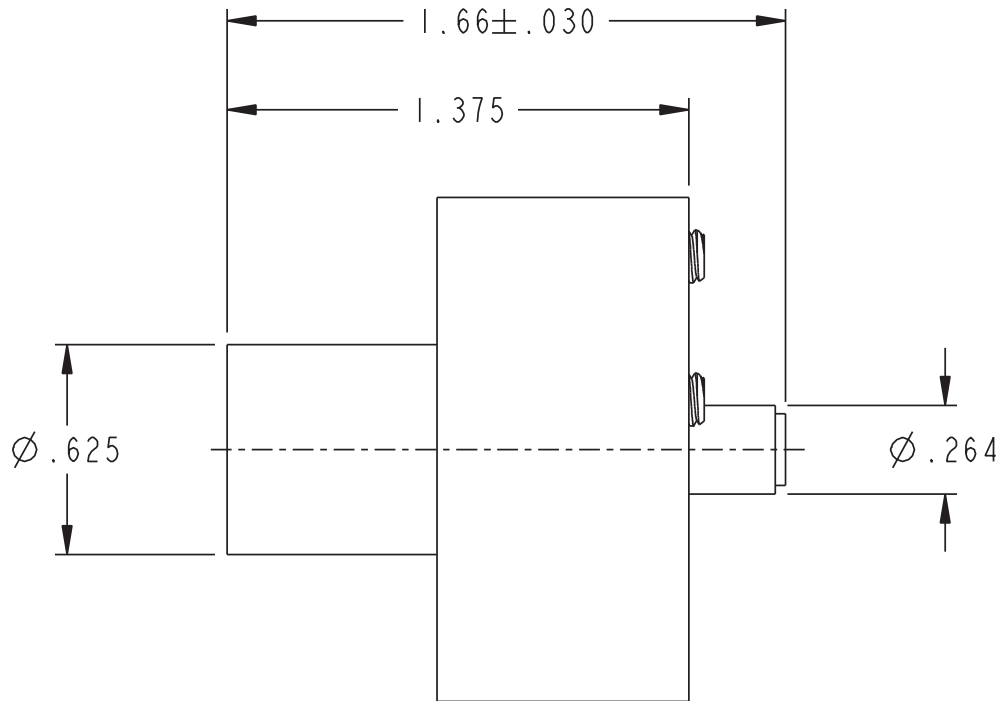
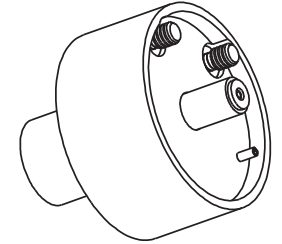


DATA CONTAINED IN THIS DOCUMENT IS PROPRIETARY TO EMERSON CONNECTIVITY SOLUTIONS AND SHALL NOT BE DISCLOSED, COPIED OR USED FOR PROCUREMENT OR MANUFACTURE WITHOUT EXPRESS WRITTEN PERMISSION


REVISIONS

REV	DESCRIPTIONS	DATE	APPROVED
D	ECO 53433	6/28/11	B. RYAN



1. FINISH: BODY: CLEAR ANODIZE
LOCATOR: SILICONE PROTECTANT

NOTES: UNLESS OTHERWISE SPECIFIED.

INTERPRET DRAWING PER MIL-STD-100. DIMENSIONS ARE IN INCHES AND INCLUDE FINISH THICKNESS UNLESS OTHERWISE SPECIFIED.		TOL: UNLESS SPECIFIED. .XX ± .02 .XXX ± .010 ANGLE ± 1°		 Cinch Connectivity Solutions 299 Johnson Ave. Ste. 100 Waseca, MN 56093 1-800-247-8256
DRN C. WALLACE	7/16/11	MATERIAL:		
CHK B. RYAN	7/18/11	FINISH:		TITLE: POSITIONER, PIN CONTACT, 70 SERIES FULL CRIMP, MALE (M22520/1-01)
QUALITY		SIZE	CAGE CODE	DRAWING NO.
MANUF		A	14949	010-0044
APPROVED		SCALE	DATE	REV.
SURFACE AREA	PROJ. FILE NO. 010-0044	DO NOT SCALE DWG	2/1	11/24/86
				SHEET 1 OF 3