

1

2

3

4

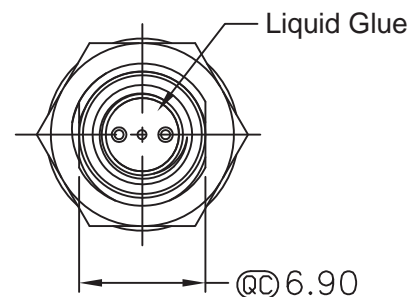
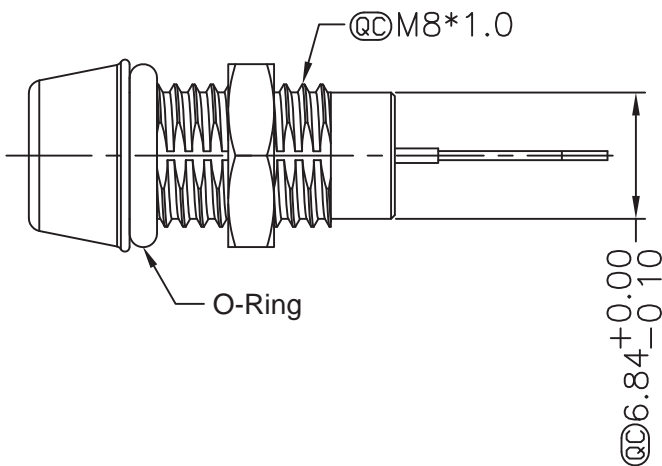
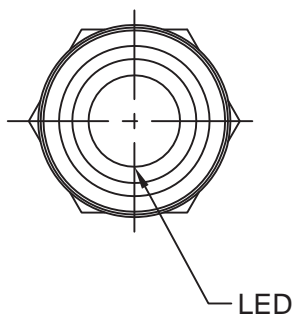
5

6

7

A

A

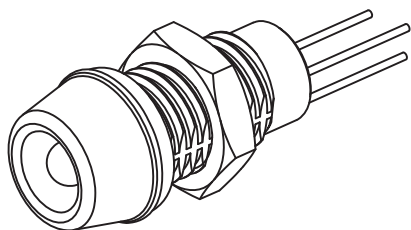


B

B

C

C



D

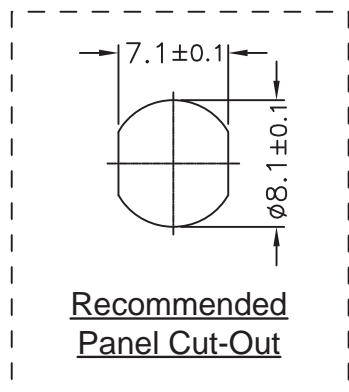
D

Material:

- Waterproof Rate: IP67
- LED Holder: Copper Alloy, Nickel plating
- LED: \varnothing 3mm, Super Bright, Red/Green Bi-color LED
- Lens Color: Water Clear
- Forward Voltage: Red Typ. 2.05V
Green Typ. 3.4V
- Forward Current: Red Typ. 35mA
Green Typ. 20mA
- Luminous Intensity: Red Typ. 1,000(Mcd)
Green Typ. 2,000(Mcd)
- Reverse Voltage: 5V DC
- Operating Temperature: $-30^{\circ}\text{C} \sim +80^{\circ}\text{C}$
- O-ring: Silicone, Gray
- Screw Nut: Copper Alloy, Nickel plating
- For Panel Thickness 6.5mm Max.

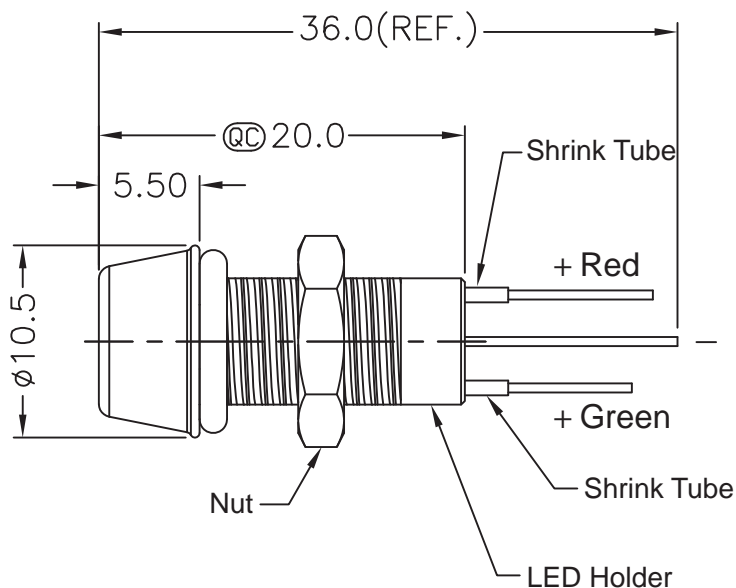
E

E



F


F



QC Quality Control: Important Dimension to check

G

G

Scale	Free					Date	Name	Title	
TOLERANCE						Drawn	05.03.14	Wilson	Waterproof LED Red/Green dual color, metal, \varnothing 3.0mm
X.	\pm 0.3					Approved	05.03.14	Groll	ASSMANN WSW-No. A-LED8-1AAAS-MR7-1
X.X	\pm X							Drawing-No.	ASS 6223 CO
X.XX	\pm X								rev00
DIM	TOL							Replace	Sheet
X.°	\pm X°								1/1
X.X°	\pm X°								
Angle	TOL	Id.	Modification	Date	Name				
						1840 W. Drake Drive, Suite 101 • Tempe, AZ 85283 Toll Free: 1-877-277-6266 • Email: info@assmann.us			

Unit: mm



1

2

3

4

5

6

7

H

H