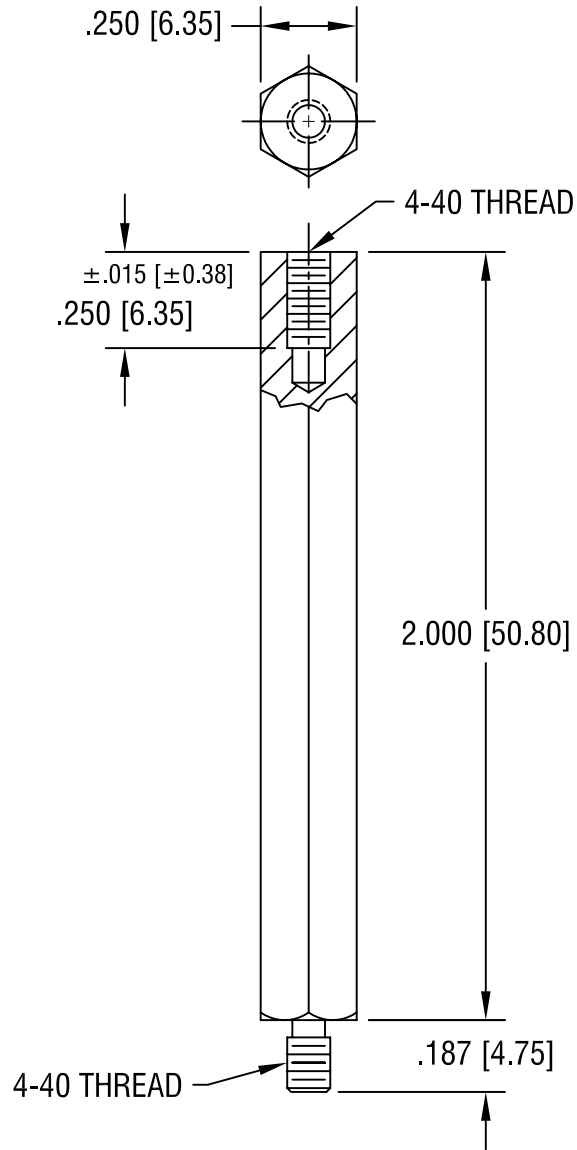


THIS DOCUMENT IS THE PROPERTY OF  
KEYSTONE ELECTRONICS CORP. AND  
SHALL NOT BE REPRODUCED, DISTRIBUTED  
OR USED AS A BASIS FOR MANUFACTURE  
WITHOUT PRIOR WRITTEN PERMISSION  
FROM KEYSTONE ELECTRONICS CORP.



**KEYSTONE ELECTRONICS CORP.**

ASTORIA, N.Y. 11105-2017

PART NAME

HEX M/F STANDOFF

MATERIAL

BRASS

FINISH

NICKEL PLATE

DRN BY

BOONE

DATE

4.26.94

APP'D

LN

SCALE

2X

3.3.97

CHANGE AS PER ECR 97-016

A

TOLERANCES

INCH [MM]

DECIMAL ±.005 [±0.15]

CODE

ANGULAR ± 1°  
UNLESS OTHERWISE SPECIFIED

C/M

DWG NO.

1951

DATE

DESCRIPTION

REV.