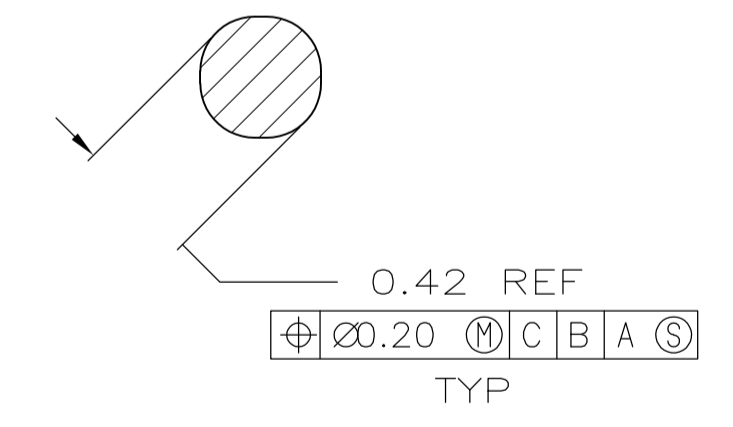
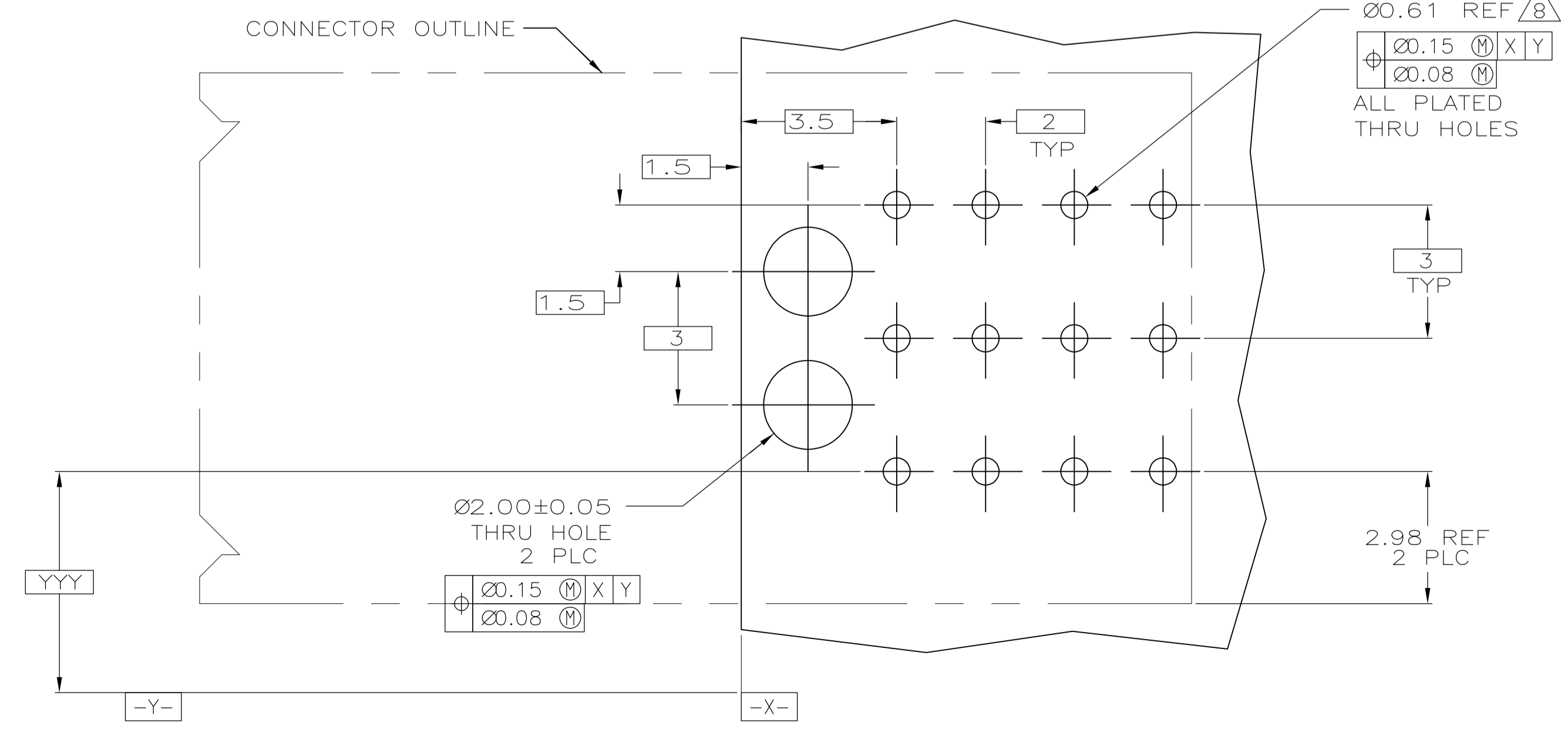
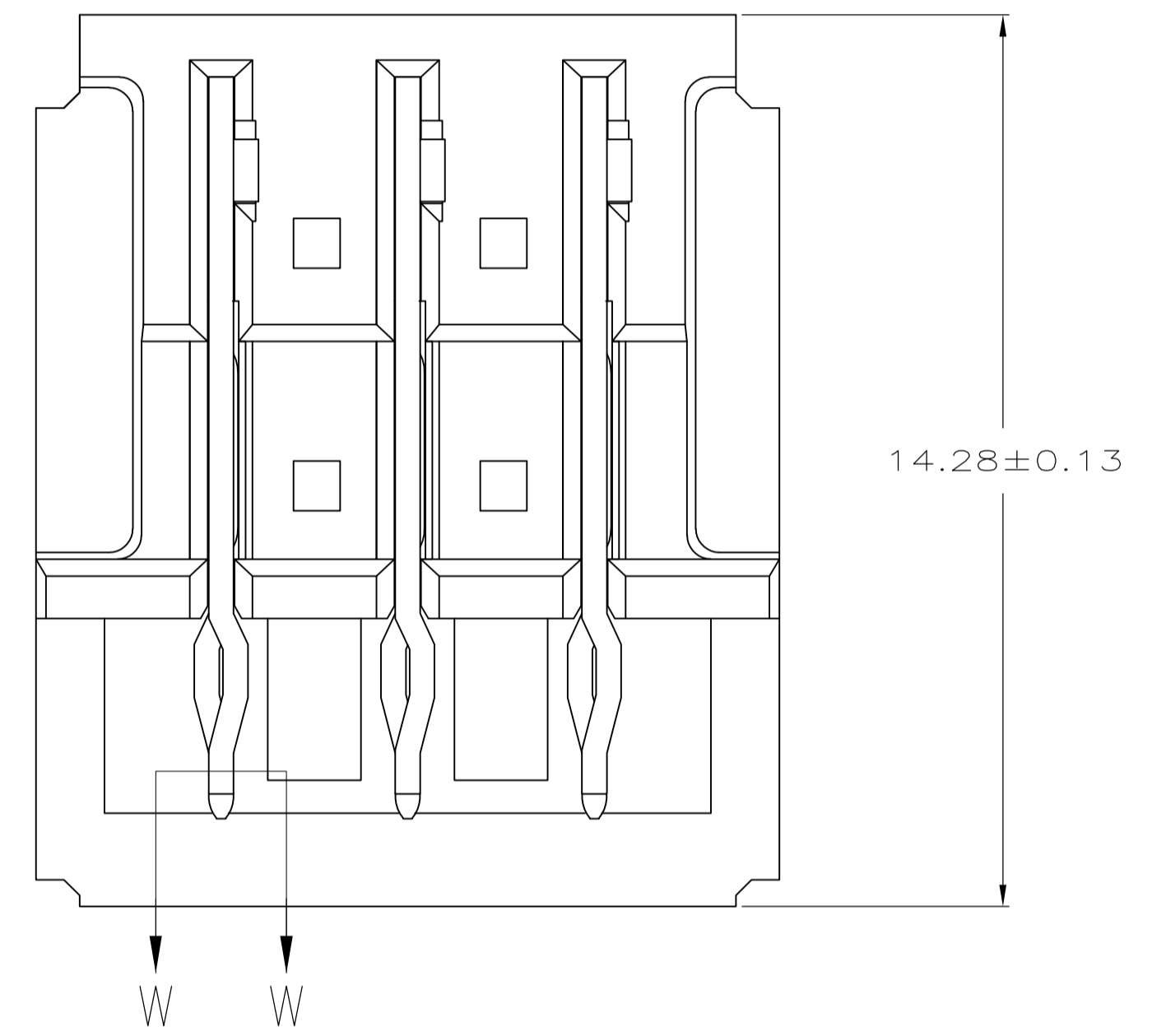
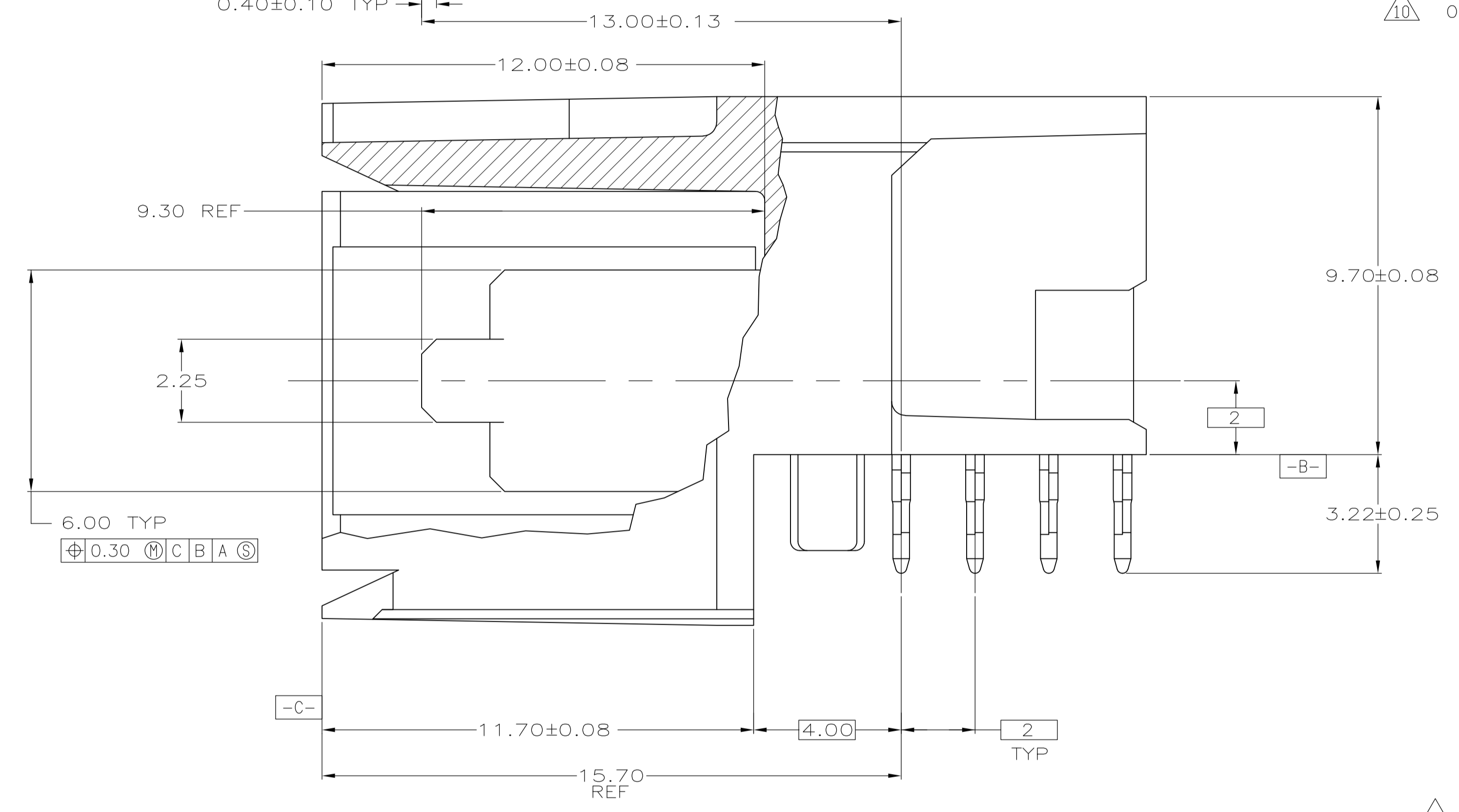
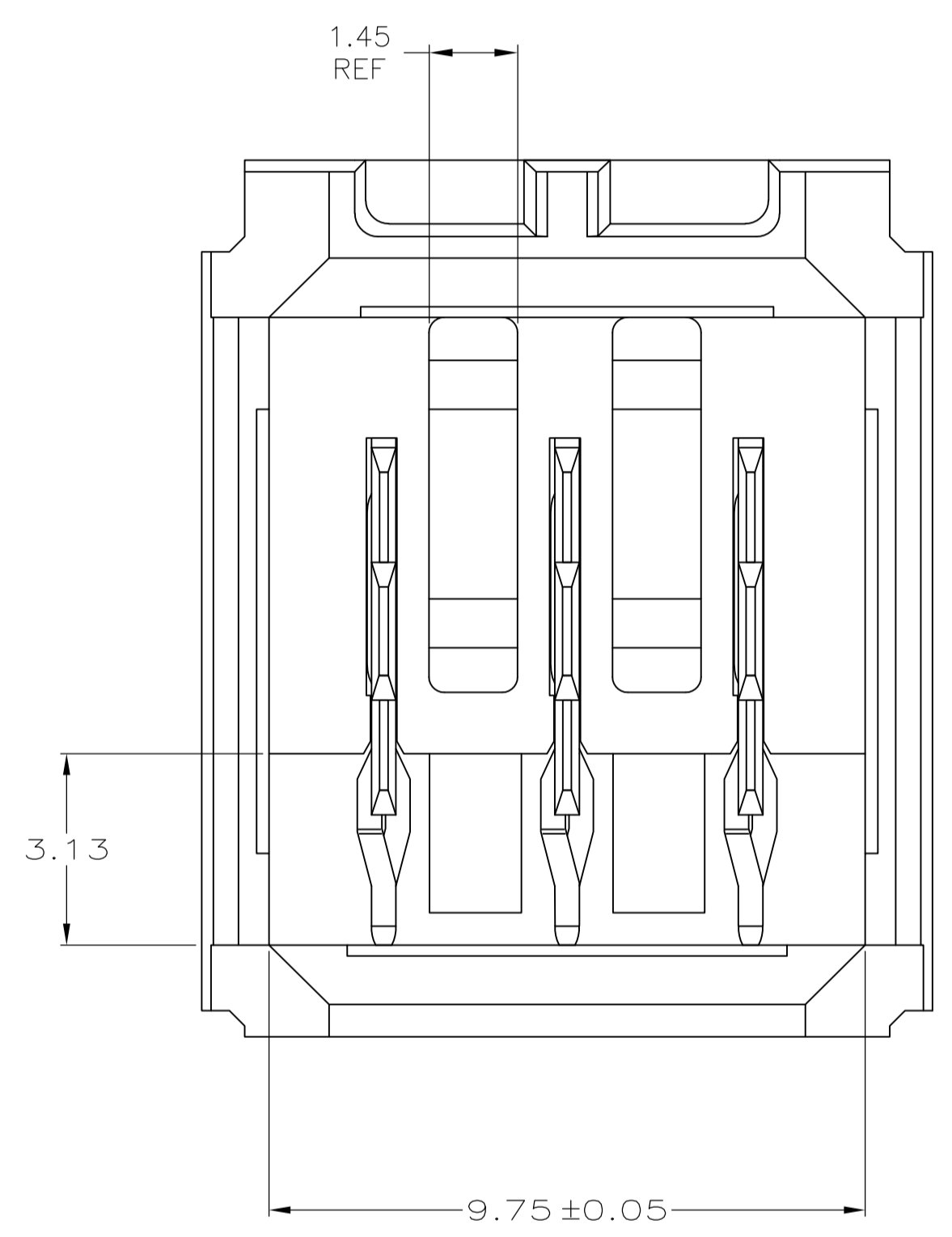


- 1 MATERIAL: HOUSING: POLYESTER. COLOR: GRAY. UL 94V-O. CONTACT: PHOSPHOR BRONZE.
- 2 FINISH: CONTACT MATING AREA: 1.27µm MIN GOLD OR 0.08µm MIN GOLD OVER 0.76µm MIN PALLADIUM-NICKEL. ACTION PIN AREA: 0.5µm MIN TIN LEAD PLATE, ALL OVER 1.27µm MIN NICKEL UNDERPLATE.
- 3 FINISH: CONTACT LUBRICATION WITH BELLCORE APPROVED LUBRICANT. TECHNICAL REFERENCE: TR-NWT-001217 ISSUE 1, SEPT 1992.
- 4 MATERIAL: HOUSING: LCP; COLOR, BLACK. UL 94V-O. CONTACT: PHOSPHOR BRONZE.
- 5 NUMBER "4" MARKED IN THIS AREA.
- 6 RESTRICTED PART NUMBER, CONTACT ENGINEERING.
- 7 MATERIAL: HOUSING: POLYESTER. COLOR: GRAY. UL 94V-O. CONTACT: HIGH-CURRENT COPPER ALLOY.
- 8 REFERENCE APPLICATION SPEC 114-1103 FOR RECOMMENDED PLATED THRU HOLE DIAMETER AND PLATING THICKNESSES.
- 9. CURRENT RATING 10A/CONTACT FOR PHOS BRONZE CONTACTS AND 16A/CONTACT FOR HIGH CURRENT COPPER ALLOY CONTACTS PER PRODUCT SPEC 108-1651.
- 10 OBSOLETE PARTS: OBSOLETE CIS STREAMLINING PER D.RENAUD/D.SINIS



SECTION W-W
SCALE 40:1

	2	3	7	5-223967-1	
OBSOLETE	1	2	3	5	223967-9
OBSOLETE	6				223967-8
OBSOLETE	2	3	4		223967-4
	1	2	3		223967-1
	FINISH			PART NUMBER	

THIS DRAWING IS A CONTROLLED DOCUMENT.

DIMENSIONS:	TOLERANCES UNLESS OTHERWISE SPECIFIED:	DIN R. BUCHHEISTER 31/JAN/97	Tyco Electronics Corporation
mm	0 PLC ± -	CHK R. RELICKER 31/JAN/97	Harrisburg, PA 17105-3608
	1 PLC ± -	APVD R. RELICKER 31/JAN/97	NAME
	2 PLC ± 0.13	PRODUCT SPEC	ASSEMBLY, RIGHT ANGLE HEADER, W/ RETENTION PEGS, UNIVERSAL POWER MODULE
	3 PLC ± -	APPLICATION SPEC	SIZE
	4 PLC ± -	WEIGHT	CODE
	ANGLES ± -	CUSTOMER DRAWING	DRAWING NO
MATERIAL	FINISH	SCALE	10:1
1	2	SHEET	1 of 1
		REV	M

RECOMMENDED PCB HOLE LAYOUT