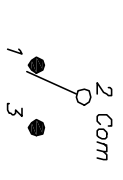


RECOMMENDED P.C.B. LAYOUT

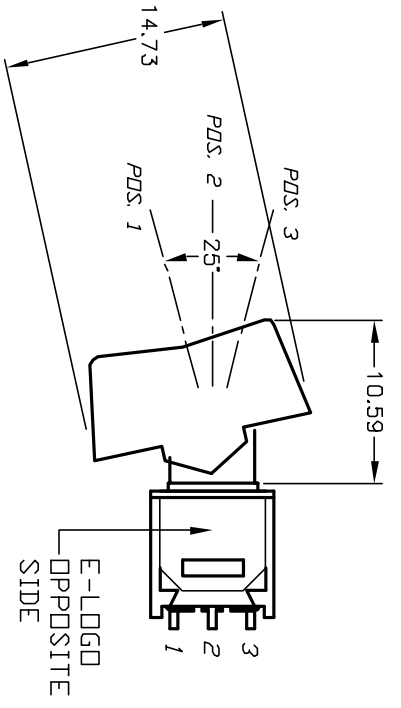


CIRCUIT: SPDT

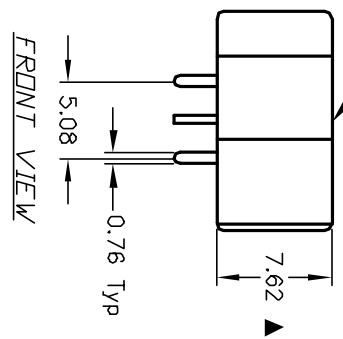
SWITCH FUNCTION		
PDS. 1	PDS. 2	PDS. 3
2-3	OPEN	2-1

NOTES:

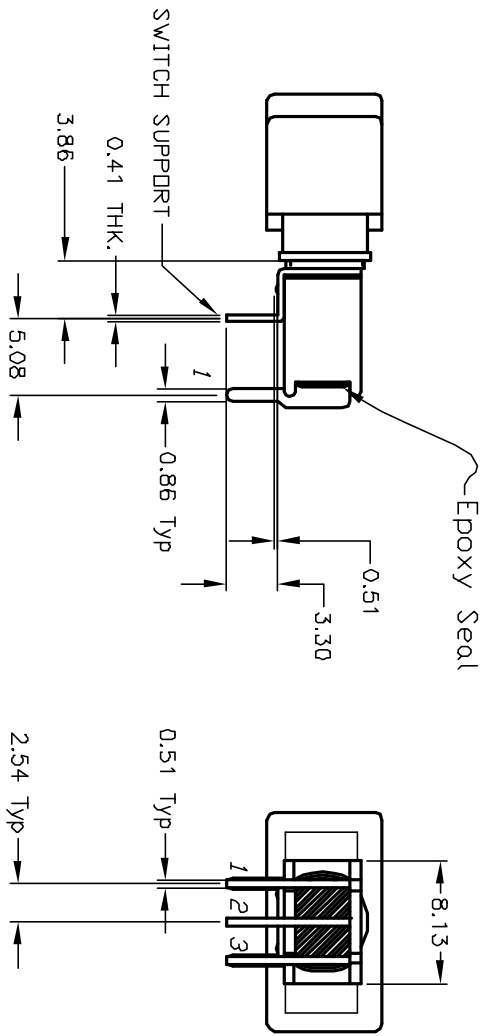
1. ALL DIMENSIONS IN MM
2. GENERAL TOLERANCE: X.X=±0.4  
X.XX=±0.25
3. TERM. NOS. FOR REF. ONLY
4. CONTACT RATING: 3A@ 120VAC. OR 28VDC:  
1A@ 250VAC.
5. FIXED TERMINAL & MOVING CONTACT: Cu alloy w/ Silver plate  
at full load.
6. ELECTRIC LIFE: 30,000 make-and-break cycles
7. INSULATION RESISTANCE: 1,000 M ohm min.
8. DIELECTRIC STRENGTH: 1,000 V RMS @sea level.
9. OPERATING TEMP.: -30°C to +85°C
10. ▲ DENOTES CRITICAL PARAMETER.



BLACK ACTUATOR ▲



FRONT VIEW



<b>A</b>	<b>13170</b>	<b>RELEASED FOR PRODUCTION</b>	<b>6/2/03</b>	<b>AR</b>
<b>REV.</b>	<b>ECN No.</b>	<b>DESCRIPTION</b>	<b>DATE</b>	<b>CHKD</b>

THE INFORMATION CONTAINED IN THIS DOCUMENT IS PROPRIETARY TO E-SWITCH AND IS NOT TO BE COPIED OR TRANSFERRED

<b>TITLE</b>	<b>SCALE</b>	<b>DATE</b>	<b>DR</b>	<b>DWG</b>	<b>REV</b>
<b>400MSP1R1M6QE</b>	<b>2:1</b>	<b>6/2/03</b>	<b>AR</b>	<b>T411003</b>	<b>A</b>

**E-SWITCH®**