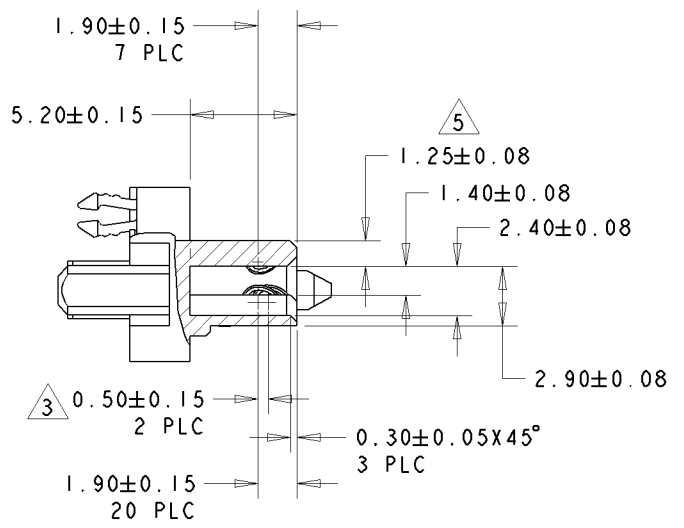
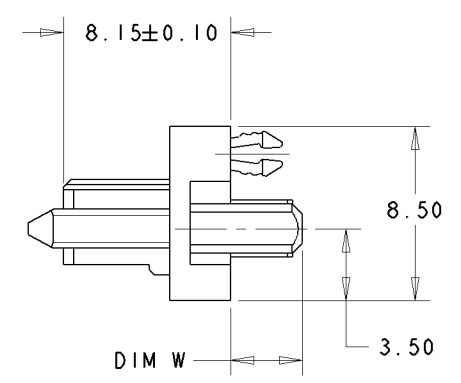
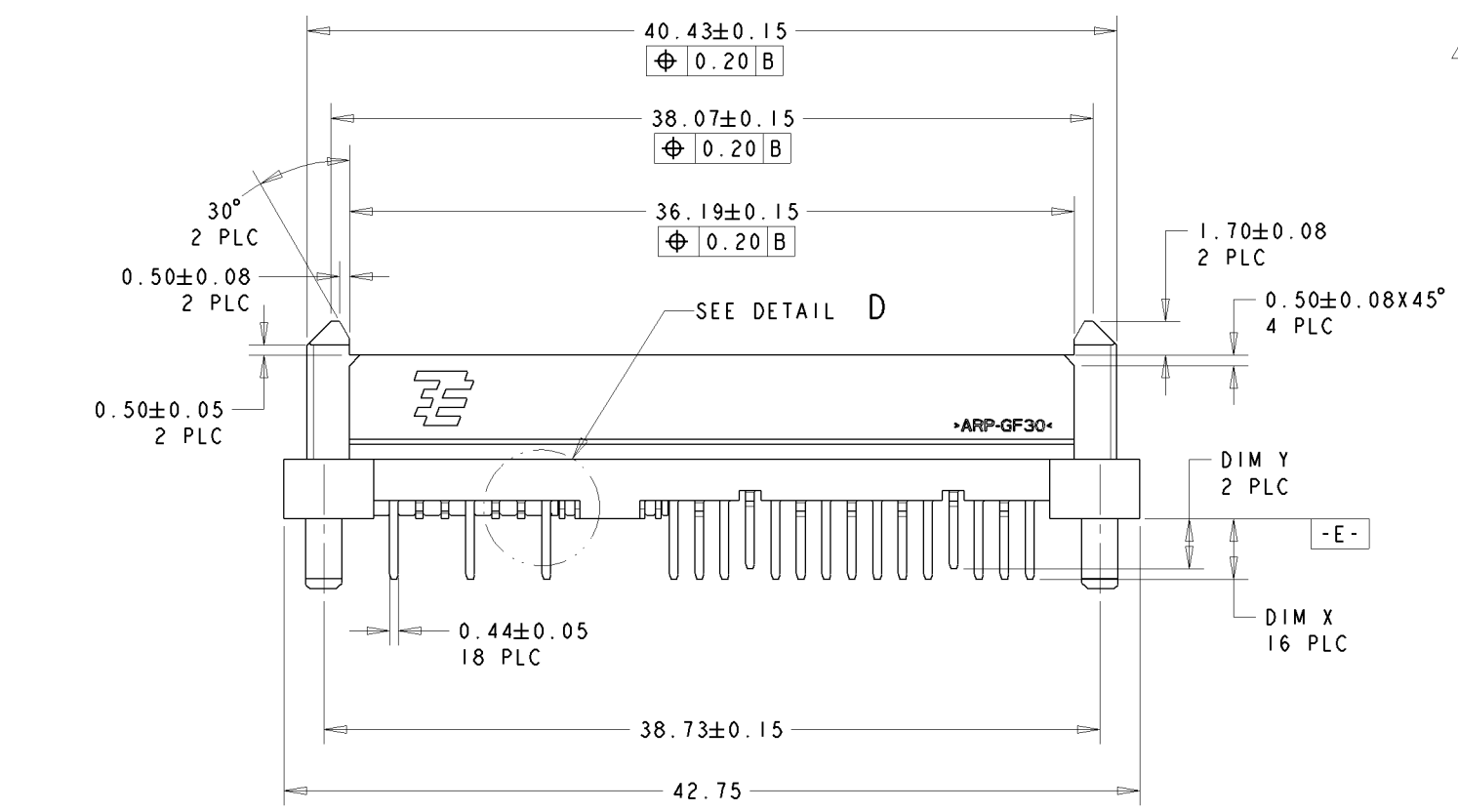
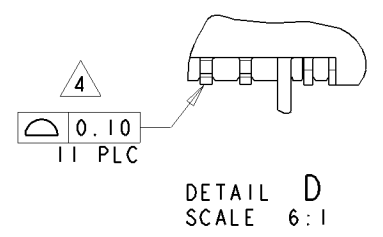
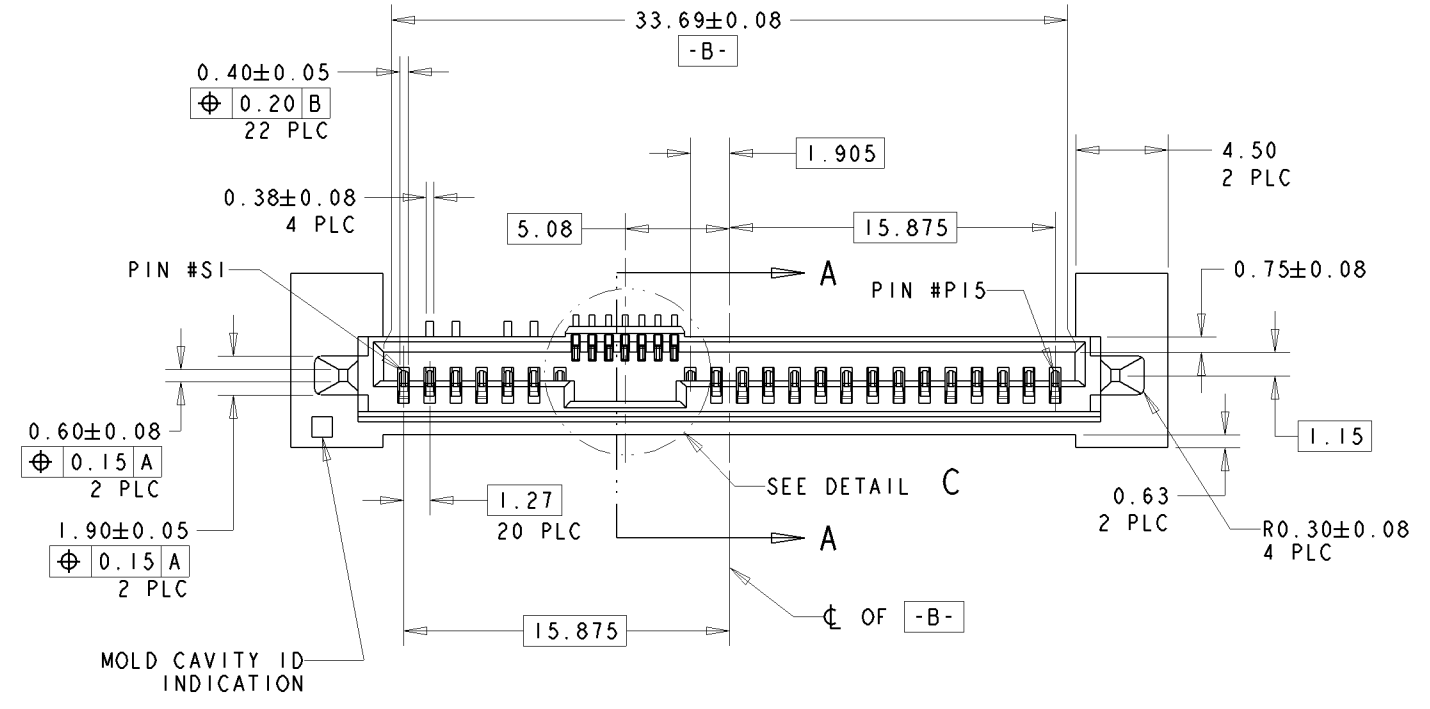
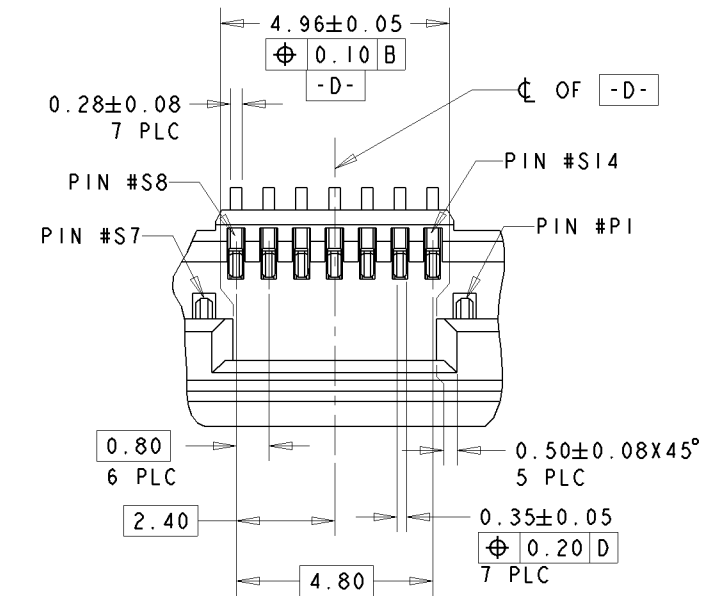


LOC	DIST	REVISIONS					
DY	-	F	LTR	DESCRIPTION	DATE	DWN	APVD
		D1		REVISED PER ECO-11-005139	19MAR11	RK	HMR



- NOTES:
- MATERIAL:
HOUSING: HIGH TEMP THERMOPLASTIC, UL94V-0,
COLOR: BLACK
CONTACT: COPPER ALLOY
BOARDLOCK: COPPER ALLOY
 - FINISH:
CONTACT AREA: MIN 0.76um GOLD PLATING
SOLDERTAIL: MIN 2.54um MATTE TIN PLATING
UNDERPLATE: MIN 1.27um NICKEL PLATING
 - PIN #P4 AND #P12 ONLY
 - SOLDERTAIL TO BE 0.05 MAX ABOVE AND 0.10 MAX BELOW DATUM E
 - 1.33 MAX MEASURED AT -C-
 - MAX DIMENSION. -0.20mm TOLERANCE APPLIES.

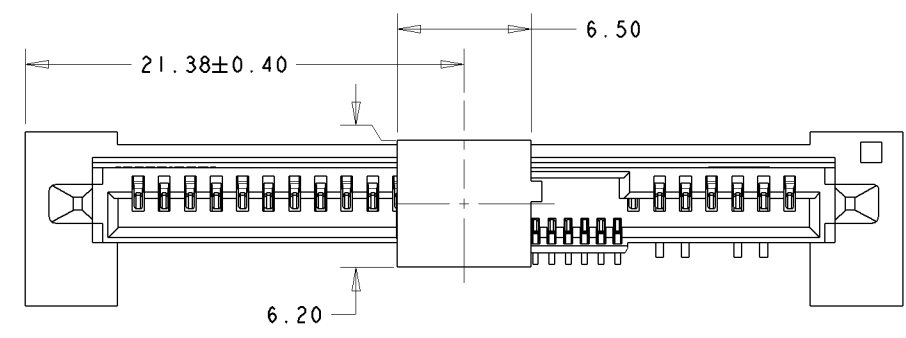


DIM Z	DIM Y	DIM X	DIM W	PACKAGING	BOARDLOCK	PICK-UP CAP	PART NUMBER
2.11	2.11	2.11	2.11	TAPE & REEL	FORK TYPE (2)	YES	2-1735104-1
2.79	3.81	4.31	3.50	TAPE & REEL	ZIF TYPE (3)	YES	1-1735104-6
2.30	2.30	2.30	2.30	TAPE & REEL	ZIF TYPE (3)	YES	1-1735104-5
2.79	3.20	3.70	3.50	TAPE & REEL	ZIF TYPE (3)	YES	1-1735104-4
2.79	2.52	3.02	3.50	TAPE & REEL	ZIF TYPE (3)	YES	1-1735104-3
2.79	3.20	3.70	3.50	TRAY	ZIF TYPE (3)	YES	1735104-4
2.79	2.52	3.02	3.50	TRAY	ZIF TYPE (3)	YES	1735104-3
2.55	2.52	3.02	3.50	TRAY	FORK TYPE (2)	NO	1735104-1

DIMENSIONS - mm TOLERANCES UNLESS OTHERWISE SPECIFIED: 0 PLC ± 1 PLC ± 2 PLC ±0.20 3 PLC ± 4 PLC ± ANGLES ±3° FINISH		DWN SK LEAW 29JUL2005 CHK SF LEONG 29JUL2005 APVD SF LEONG 29JUL2005 PRODUCT SPEC 108-51067 APPLICATION SPEC MATERIAL 1 WEIGHT - CUSTOMER DRAWING	TE Connectivity SAS BACKPLANE RECEPTACLE, VERTICAL, HYBRID SIZE A2 CAGE CODE 00779 DRAWING NO C=1735104 SCALE 4:1 SHEET 1 OF 2 REV D1
--	--	--	--

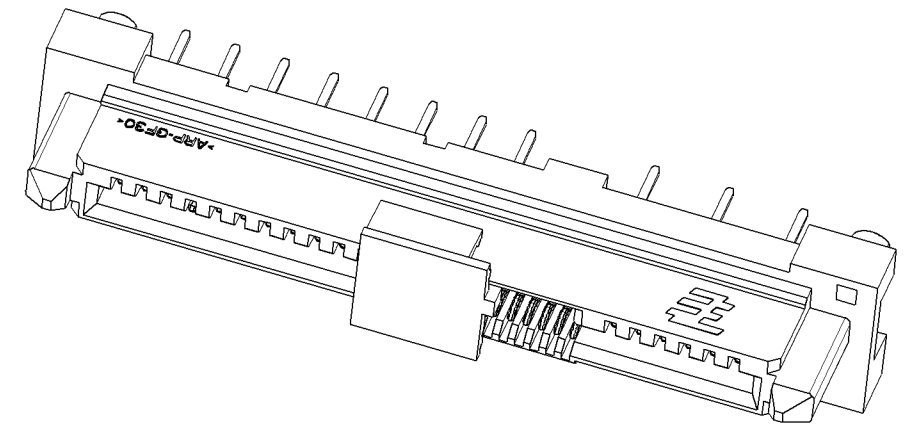
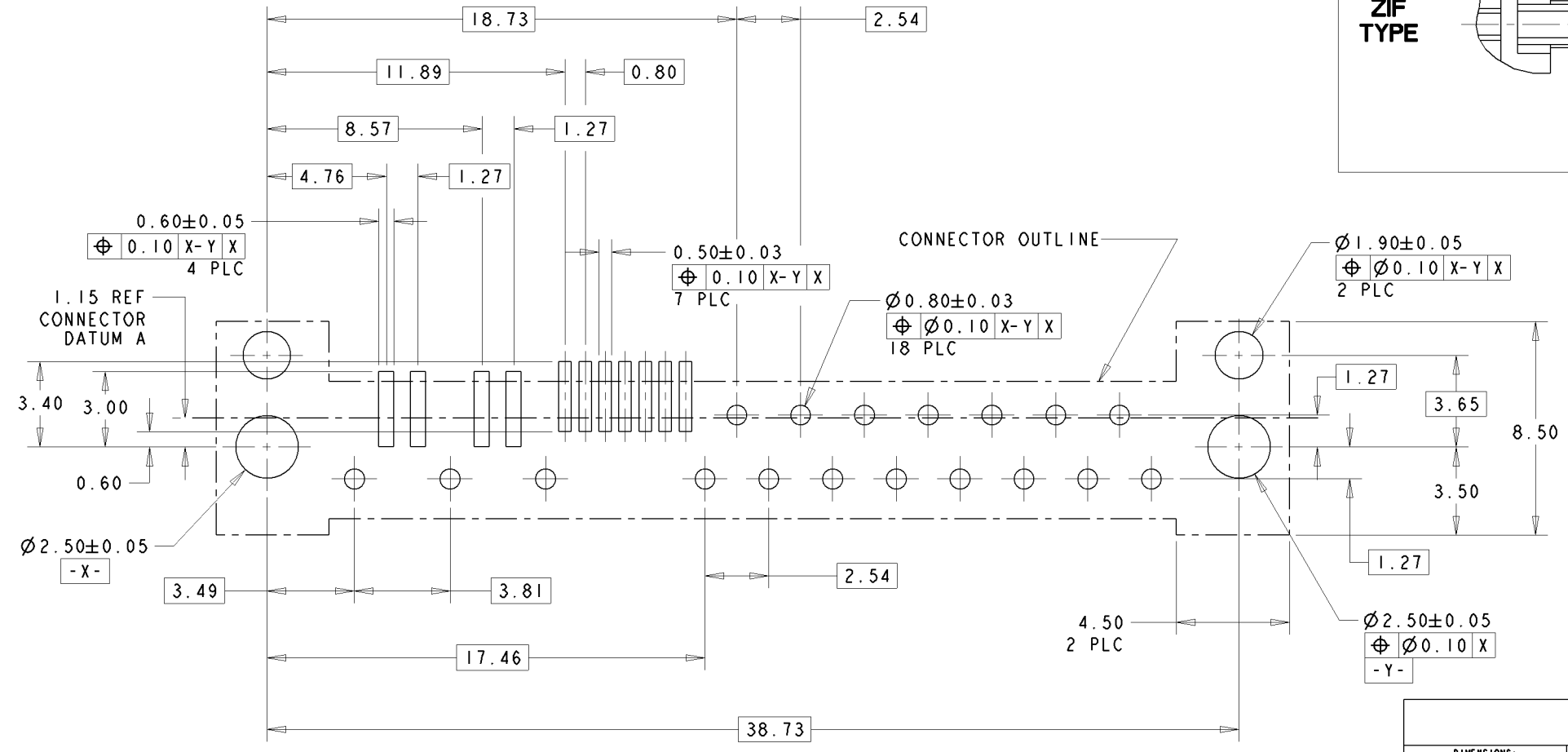
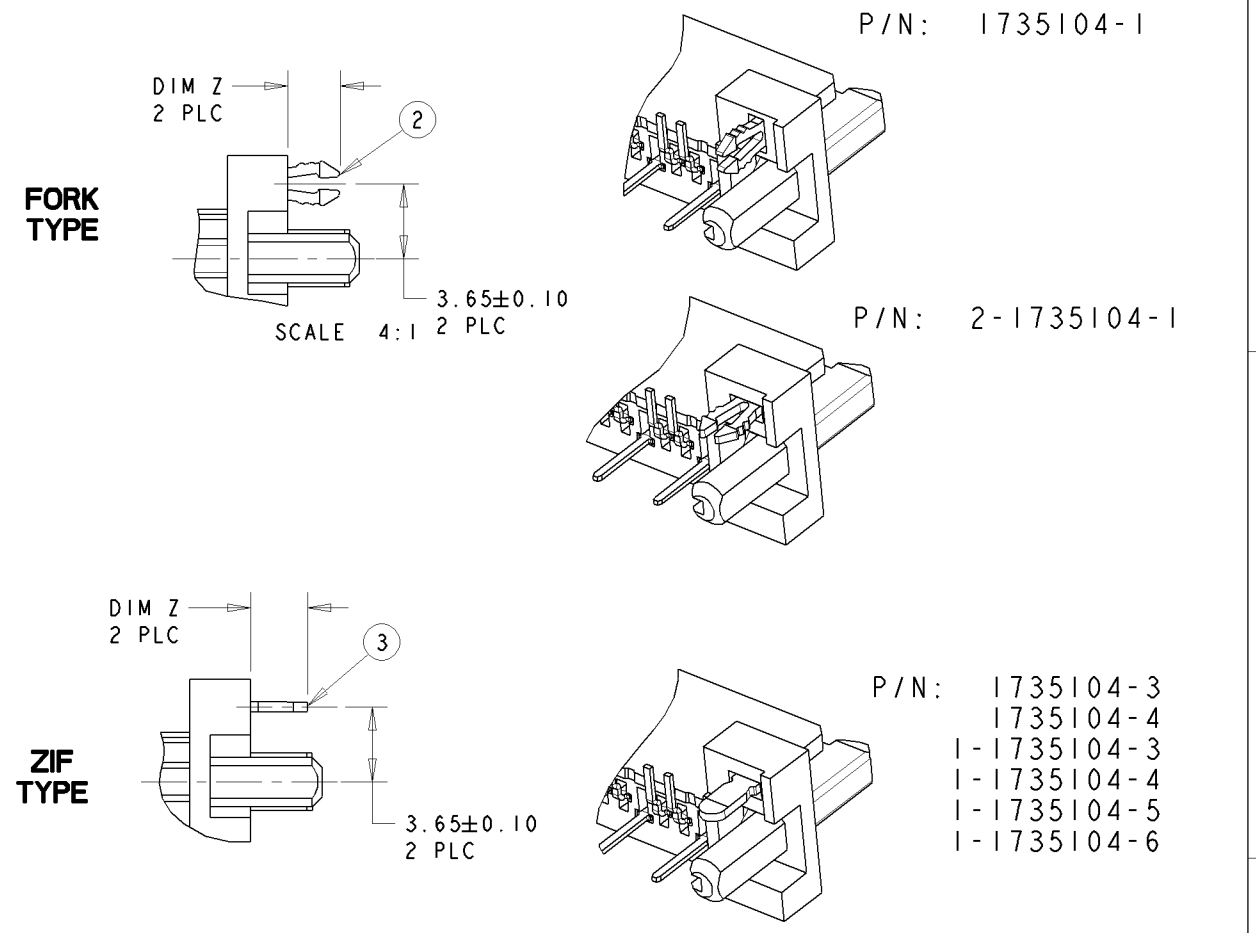
LOC	DIST	REVISIONS			
P	LTR	DESCRIPTION	DATE	DWN	APVD
DY	-	SEE SHEET 1	-	-	-

VIEW SHOWN WITH PICK-UP CAP



- P/N: 1735104-3
 1735104-4
 1-1735104-3
 1-1735104-4
 1-1735104-5
 1-1735104-6
 2-1735104-1

BOARDLOCK CONFIGURATION



RECOMMENDED PCB LAYOUT
 SCALE 6:1

DIMENSIONS mm	TOLERANCES UNLESS OTHERWISE SPECIFIED: 0 PLC ± 1 PLC ± 2 PLC ±0.20 3 PLC ± 4 PLC ± ANGLES ±3° FINISH -	DWN SK LEAW 29 JUL 2005	TE Connectivity
		CHK SF LEONG 29 JUL 2005	
MATERIAL		APVD SF LEONG 29 JUL 2005	NAME SAS BACKPLANE RECEPTACLE, VERTICAL, HYBRID
		PRODUCT SPEC 108-51067	SIZE A2
CUSTOMER DRAWING		WEIGHT -	CAGE CODE 00779
		SCALE 4:1	DRAWING NO C=1735104
		SHEET 2 of 2	REV D1