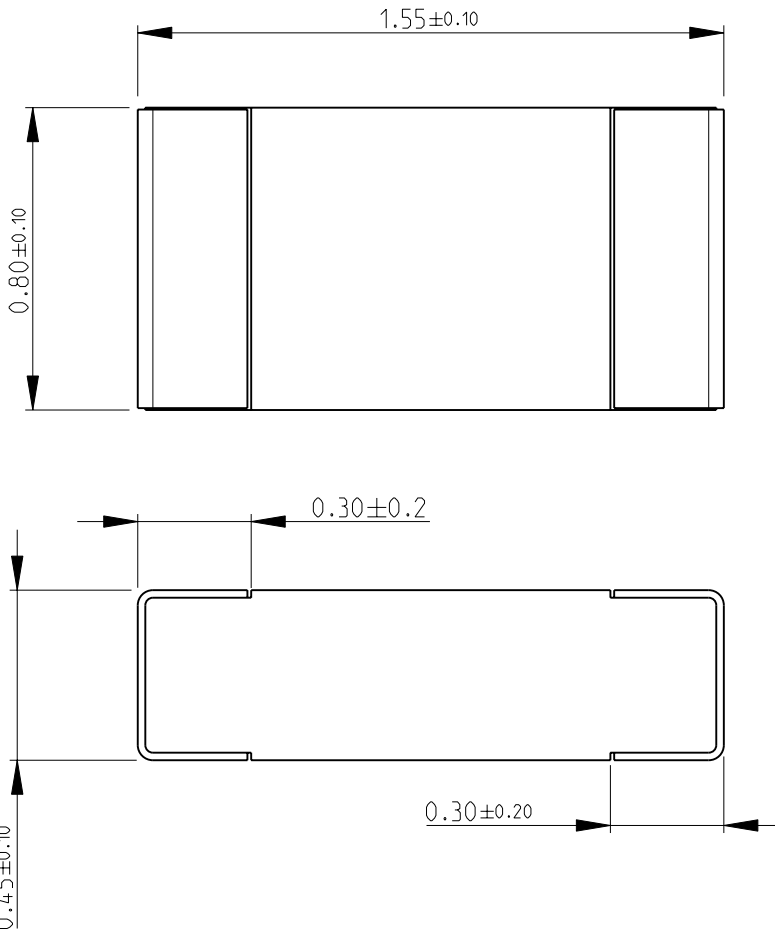
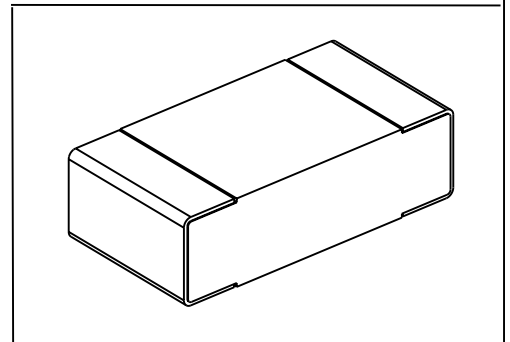
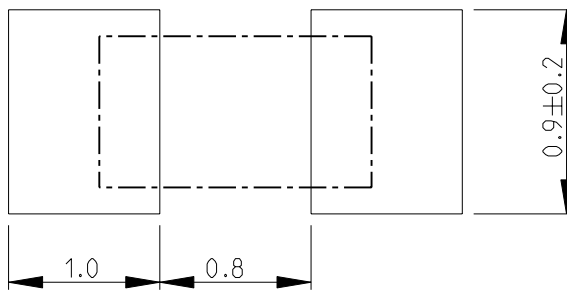


LOC	DIST	REVISIONS					
E	B	P	LTR	DESCRIPTION	DATE	DWN	APVD
			BA	NEW RELEASE	09SEP2010	PT	St.P

FOR FURTHER INFORMATION SEE DATA SHEET FOR
RN73 SERIES-HIGH PRECISION RESISTORS (SMD)



RECOMMENDED LAND PATTERN



2010
 RELEASED FOR PUBLICATION
 THIS DRAWING IS UNPUBLISHED.
 COPYRIGHT 2010 BY TYCO ELECTRONICS CORPORATION. ALL RIGHTS RESERVED.

DIMENSIONS: mm	DWN	PARUSURAM.T	09SEP2010	MATERIAL	-	FINISH	-
	CHK	ALLAN.P	09SEP2010	Tyco Electronics Corporation Dorcan, Swindon, SN3 5HH			
TOLERANCES UNLESS OTHERWISE SPECIFIED:	APVD	STEPHEN.P	09SEP2010				
	0 PLC	±0.2	PRODUCT SPEC	SIZE	CAGE CODE	DRAWING NO	RESTRICTED TO
1 PLC	±0.1	-	-	A 4	00779	© = 1879137	-
2 PLC	±-	APPLICATION SPEC	-	CUSTOMER DRAWING			
3 PLC	±-	-	-	SCALE	20:1	SHEET	1 OF 1
4 PLC	±-	WEIGHT	-	REV BA			
ANGLES	±5°						