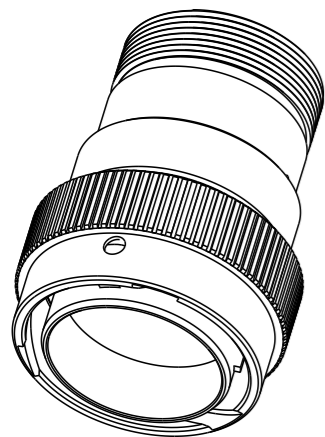
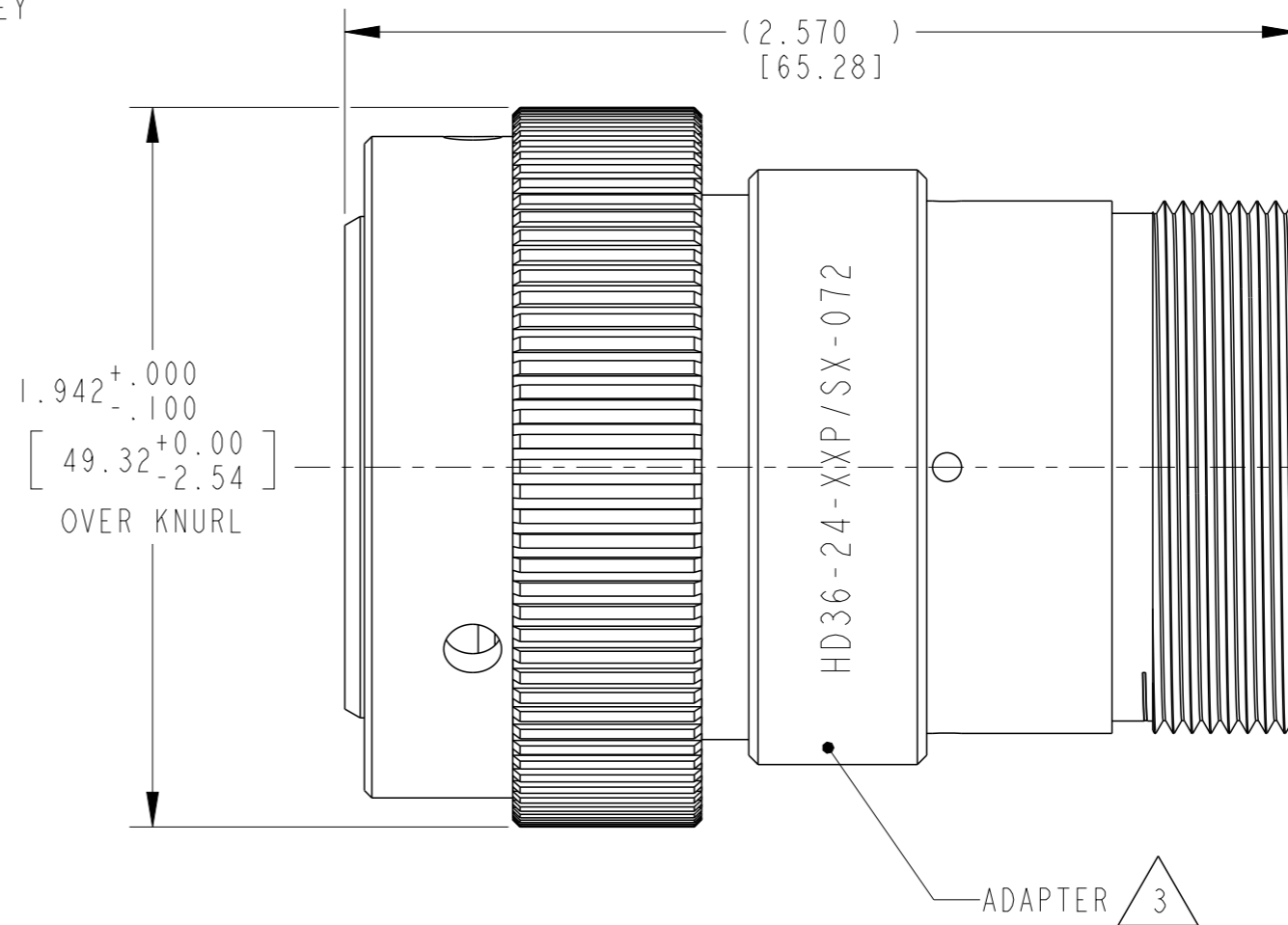
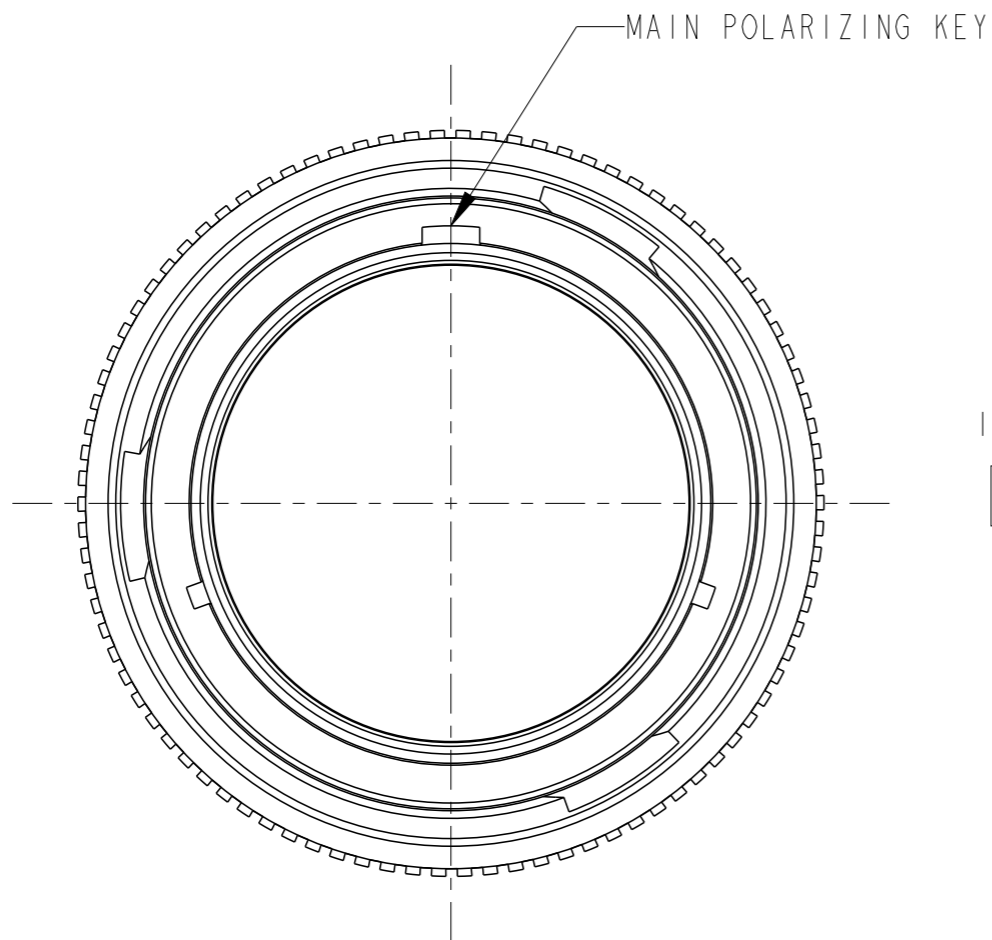


THIS DRAWING IS UNPUBLISHED. RELEASED FOR PUBLICATION 2015  
 © COPYRIGHT 2015 BY TE CONNECTIVITY ALL RIGHTS RESERVED.

| LOC | DIST | REVISIONS   |                             |           |       |
|-----|------|-------------|-----------------------------|-----------|-------|
| P   | LTR  | DESCRIPTION | DATE                        | DWN       | APVD  |
| -   | -    | NC          | NEW RELEASE PER E.O. P19972 | 14AUG2008 | - RDR |
|     |      | A           | REVISED PER E.O. P21009     | 19JUL2011 | - RDR |
|     |      | A1          | REVISED PER ECO-15-001798   | 19MAR2015 | PV DM |



**3D VIEW**



3. MATERIAL:  
 PLUG HOUSING: AL 6000 SERIES  
 ADAPTER: AL 6000 SERIES

2. THE CONNECTOR MATES WITH HD34-24-XXS/PX-XXXX  
 X = SEAL DESIGNATION, XX = NUMBER OF CAVITIES,  
 XXXX = MODIFICATION DESIGNATION.

1. FOR ARRANGEMENT OF CONTACT LOCATION SEE DRAWING 0425-014-2400.

NOTES:

|   |  |                                       |  |                |                                  |                    |
|---|--|---------------------------------------|--|----------------|----------------------------------|--------------------|
| THIS DRAWING IS A CONTROLLED DOCUMENT.  |  | DWN<br>I. GRANTCHAROVA<br>30 JUL 2008 |  |                |                                  |                    |
| DIMENSIONS:<br>INCHES [mm]  |  | CHK<br>B. BAYFORD<br>14 AUG 2008      |  |                |                                  |                    |
| TOLERANCES UNLESS OTHERWISE SPECIFIED:  |  | APVD<br>S. BEARD<br>12 AUG 2008       | NAME<br>PLUG CONNECTOR, SHELL SIZE 24<br>BAYONET COUPLING, MOD -072<br>HD30 SERIES |                |                                  |                    |
|   |  | PRODUCT SPEC<br>0425-016-0000         | SIZE<br>A3   | CAGE CODE<br>- | DRAWING NO<br>HD36-24-XXP/SX-072 | RESTRICTED TO<br>- |
|   |  | APPLICATION SPEC<br>0425-015-0000     | SCALE  |                | SHEET                            | OF                 |
| MATERIAL<br>SEE NOTE  |  | WEIGHT<br>-                           | Customer Drawing   |                | REV<br>A1                        |                    |
| 0 PLC ±<br>1 PLC ±<br>2 PLC ±<br>3 PLC ±0.01 [±0.254]<br>4 PLC ±<br>ANGLES ±0° 30' 0"<br>FINISH - |  |                                       |  |                |                                  |                    |