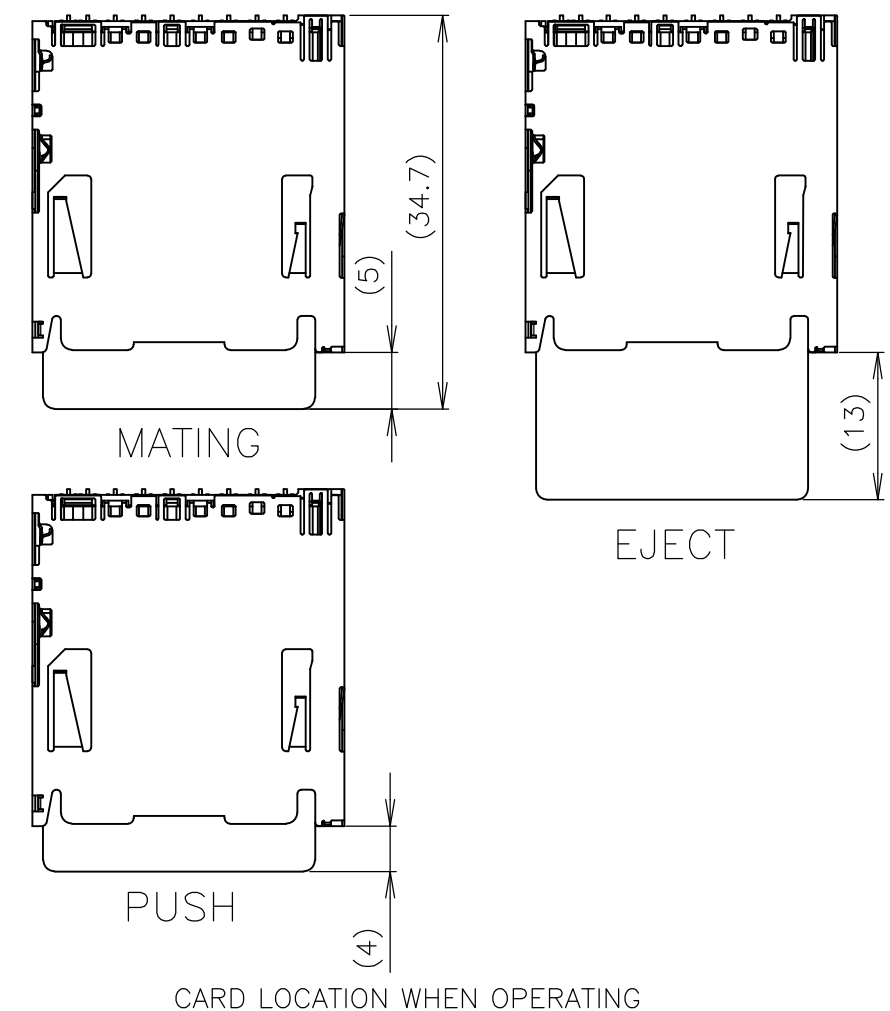
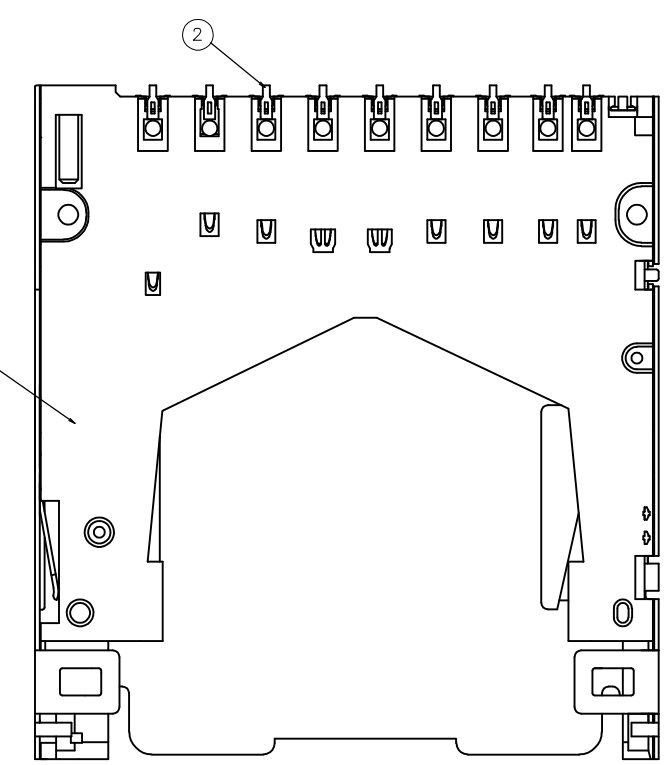
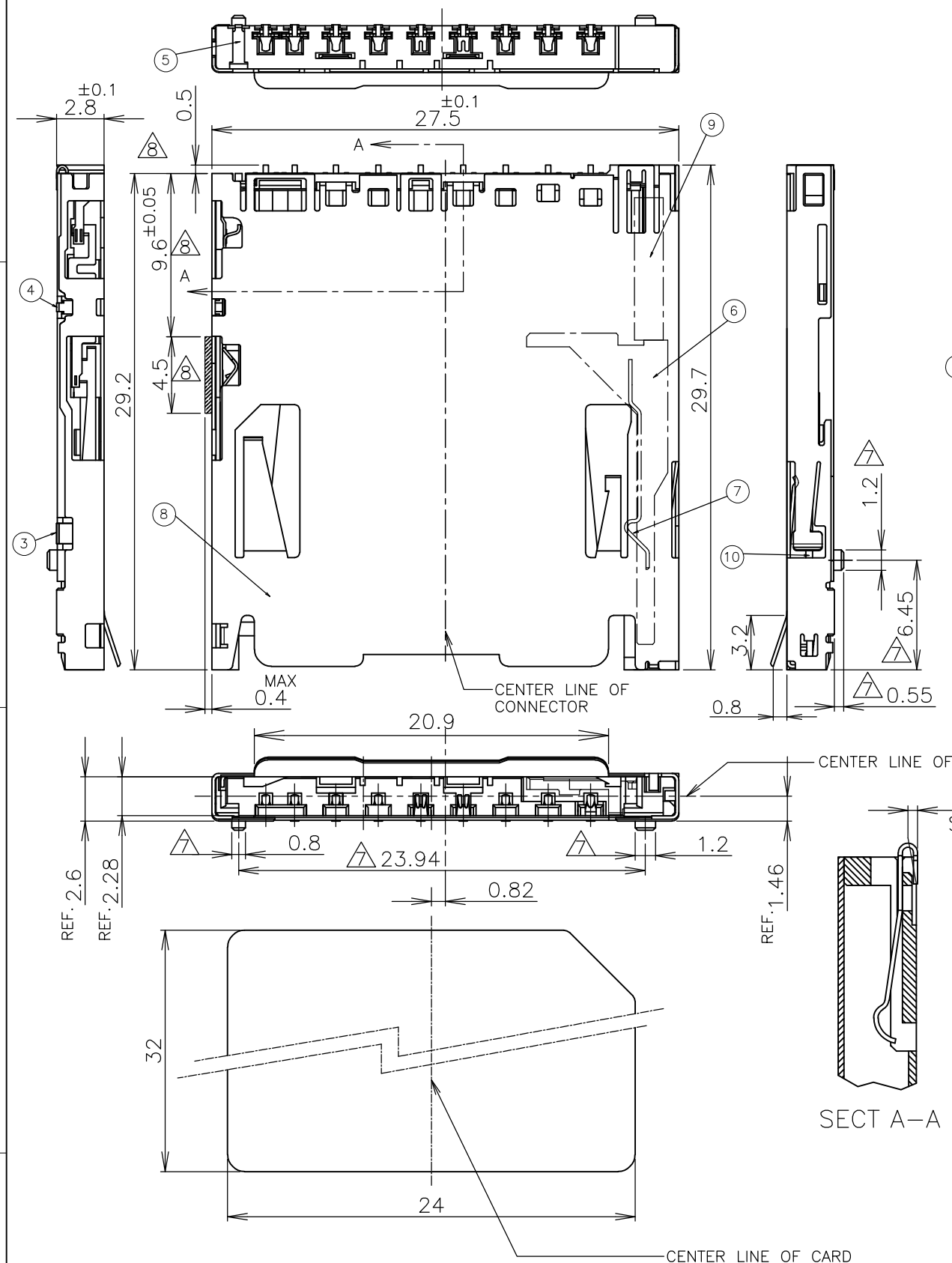


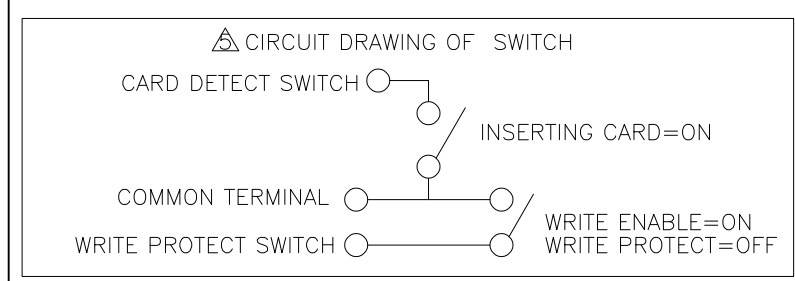
THIS DRAWING IS UNPUBLISHED. RELEASED FOR PUBLICATION MAR , 2003.  
 © COPYRIGHT 2004 By - ALL RIGHTS RESERVED.

P	LTR	DESCRIPTION	DATE	DWN	APVD



- ▲ カード認識スイッチ用パッド
- ▲ コモン端子用パッド
- ▲ ライトプロテクトスイッチ用パッド
- 4 カード挿入時の接触の順番  
PIN #3,4 — PIN #2,5,6,7,8,9  
カード認識スイッチ — PIN #1 ←
- ▲ スイッチの回路図
- 6 本製品は浸漬による洗浄は行わないこと。
- ▲ ボス無しタイプには、適用なし。
- ▲ スイッチ可動エリア
- ▲ 材料 & 仕上げはテーブルを参照のこと。
- 10 コプラナリティは、0.1mm以下。
- ▲ PAD FOR CARD DETECT SWITCH
- ▲ PAD FOR COMMON TERMINAL
- ▲ PAD FOR WRITE PROTECT SWITCH
- 4 THE SEQUENCE OF CONTACT DURING CARD INSERTION  
PIN #3,4 — PIN #2,5,6,7,8,9  
CARD DETECT SWITCH — PIN #1 ←
- ▲ CIRCUIT DRAWING OF SWITCH
- 6 DON'T WASH BY IMMERSING THE CONNECTOR IN FLUID
- ▲ NO APPLIED TO WITHOUT BOSS TYPE.
- ▲ SWITCH MOVING AREA
- ▲ REFER TO THE TABLE FOR MATERIAL AND FINISH.
- 10 COPLANARITY IS 0.1MM MAX.

ITEM	DESCRIPTION	MATERIAL	FINISH	QTY
10	CAM ROD	SUS	-	1
9	COIL SPRING	SWP	-	1
8	SHELL	COPPER ALLOY	TIN PLATE	1
7	HOOK SPRING	SUS	-	1
6	SLIDER	THERMOPLASTIC	-	1
5	SWITCH C	COPPER ALLOY	Au ON CONTACT AREA OVER Ni AND Sn ON SOLDER TINE OVER Ni.	1
4	SWITCH B	COPPER ALLOY	Au ON CONTACT AREA AND SOLDER TINE OVER Ni.	1
3	SWITCH A	COPPER ALLOY	Au ON CONTACT AREA OVER Ni AND Sn ON SOLDER TINE OVER Ni.	1
2	CONTACT	COPPER ALLOY	Au ON CONTACT AREA OVER Ni AND Sn ON SOLDER TINE OVER Ni.	1
1	HOUSING	THERMOPLASTIC	-	1
ITEM	DESCRIPTION	▲ MATERIAL	▲ FINISH	QTY



-1, -2 : AS SHOWN

WITHOUT	1939870-2
WITH	1939870-1
BOSS	PART NUMBER

THIS DRAWING IS A CONTROLLED DOCUMENT.

DIMENSIONS: 単位: 耗 MM

TOLERANCES UNLESS OTHERWISE SPECIFIED: 一般公差

0 PLC	± 0.3
1 PLC	± 0.3
2 PLC	± 0.3
3 PLC	± 0.3
4 PLC	± 0.3
ANGLES	± 3'

MATERIAL 材料

FINISH 仕上

DWN Y.OKOSHI 05SEP06  
 CHK Y.NAKAZAWA 05SEP06  
 APVD Y.YAMAMOTO 05SEP06

NAME 名称 SD MEMORY CARD CONNECTOR  
 PRODUCT SPEC 製品規格 108-78220  
 APPLICATION SPEC 取付適用規格

SIZE A3 CAGE CODE 00779 DRAWING NO 番号 C-1939870 RESTRICTED TO

WEIGHT

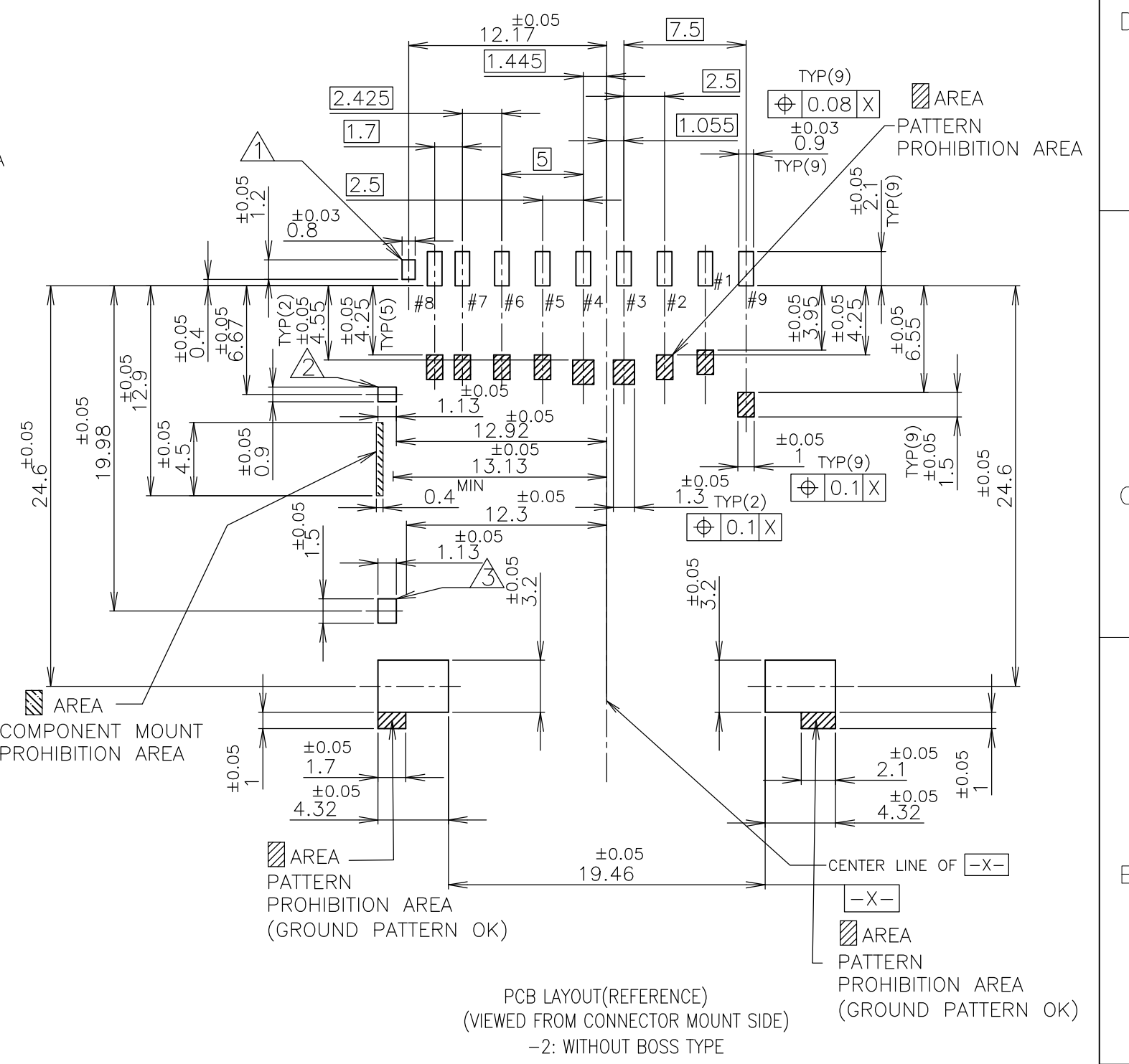
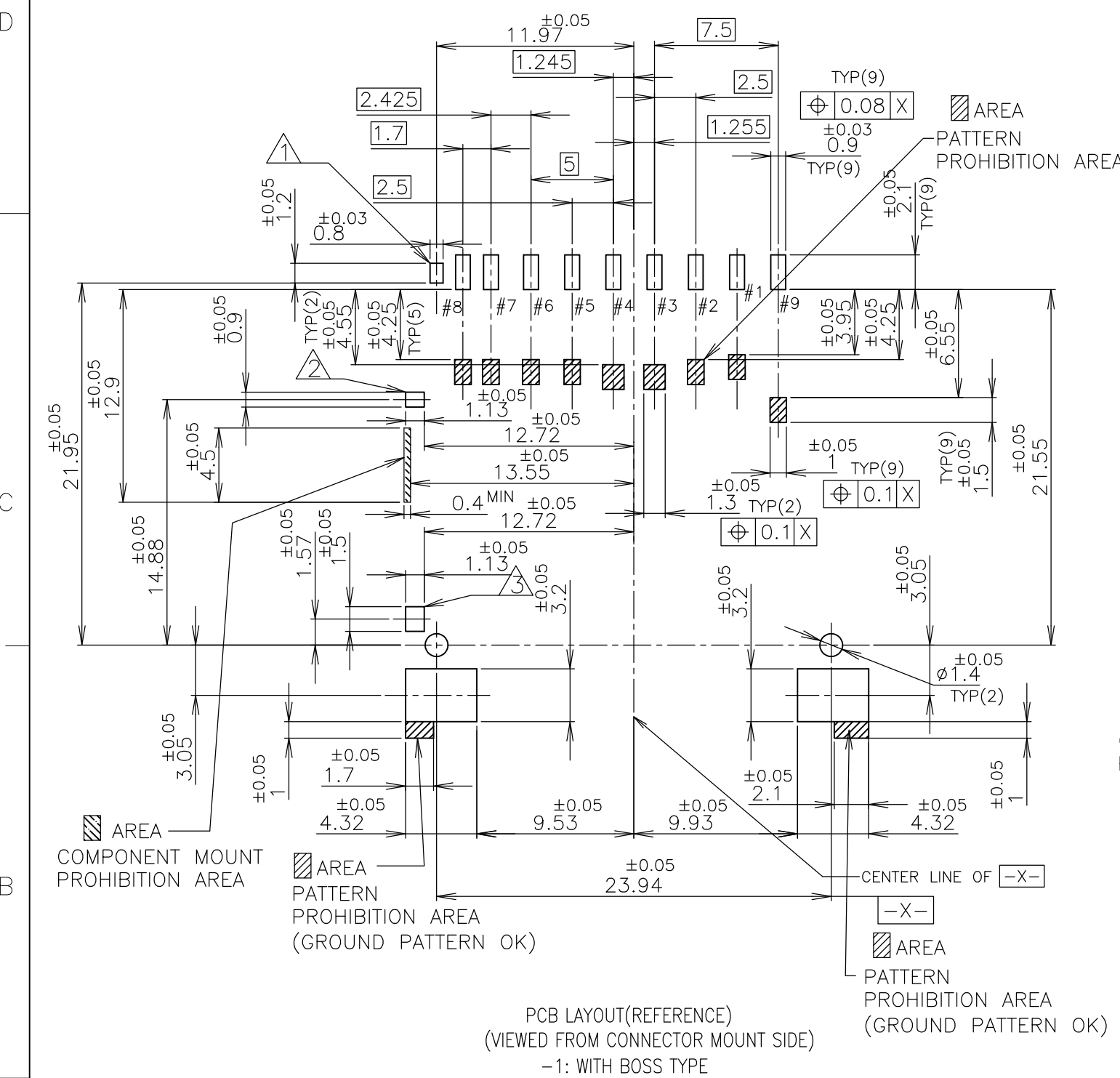
CUSTOMER DRAWING

SCALE 尺度 3:1 SHEET 1 OF 4 REV D

STE TE Connectivity

THIS DRAWING IS UNPUBLISHED. RELEASED FOR PUBLICATION MAR , 2003.  
 © COPYRIGHT 2004 By - ALL RIGHTS RESERVED.

LOC	DIST	REVISIONS		
		P	LTR	DESCRIPTION
J	/	-	-	SEE SHEET 1



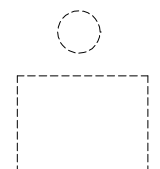
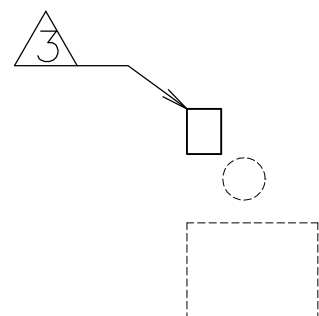
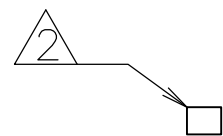
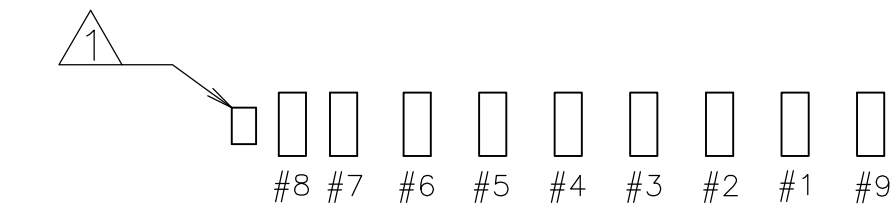
THIS DRAWING IS A CONTROLLED DOCUMENT.		DWN	STE TE Connectivity		
DIMENSIONS: 單位: 耗 MM		CHK	NAME 名稱		
TOLERANCES UNLESS OTHERWISE SPECIFIED: 一般公差		APVD	SD MEMORY CARD CONNECTOR PUSH PUSH TYPE STANDARD H0		
0 PLC ± 0.3		PRODUCT SPEC 製品規格	SIZE	CAGE CODE	DRAWING NO 番号
1 PLC ± 0.3		APPLICATION SPEC 取付適用規格	A3	00779	G-1939870
2 PLC ± 0.3		WEIGHT	RESTRICTED TO		
3 PLC ± 0.3		CUSTOMER DRAWING	SCALE 尺度 3:1		
4 PLC ± 0.3			SHEET 2 OF 4		
ANGLES ± 3'			REV D		
FINISH 仕上					

### PIN ASSIGNMENT

PIN#	SD MODE			SPI MODE		
	NAME	TYPE	DESCRIPTION	NAME	TYPE	DESCRIPTION
1	CD/DAT3	I/O/PP	CARD DETECT/ DATA LINE[BIT 3]	CS	I	CHIP SELECT(NEG TRUE)
2	CMD	PP	COMMAND/RESPONSE	DI	I	DATA IN
3	Vss1	S	SUPPLY VOLTAGE GROUND	VSS	S	SUPPLY VOLTAGE GROUND
4	Vdd	S	SUPPLY VOLTAGE	VDD	S	SUPPLY VOLTAGE
5	CLK	I	CLOCK	SCLK	I	CLOCK
6	Vss2	S	SUPPLY VOLTAGE GROUND	VSS2	S	SUPPLY VOLTAGE GROUND
7	DAT0	I/O/PP	DATA LINE[BIT 0]	DO	O/PP	DATA OUT
8	DAT1	I/O/PP	DATA LINE[BIT 1]	RSV		
9	DAT2	I/O/PP	DATA LINE[BIT 2]	RSV		

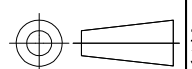
### SWITCH PIN ASSIGNMENT

△1	CARD DETECT SWITCH
△2	COMMON TERMINAL
△3	WRITE PROTECT SWITCH



THIS DRAWING IS A CONTROLLED DOCUMENT.

DIMENSIONS:  
單位: 耗  
MM



TOLERANCES UNLESS  
OTHERWISE SPECIFIED:  
一般公差

- 0 PLC ± 0.3
- 1 PLC ± 0.3
- 2 PLC ± 0.3
- 3 PLC ± 0.3
- 4 PLC ± 0.3
- ANGLES ± 3'

MATERIAL  
材料

FINISH  
仕上

DWN

CHK

APVD

PRODUCT SPEC  
製品規格

APPLICATION SPEC  
取付適用規格

WEIGHT

CUSTOMER DRAWING



SD MEMORY CARD CONNECTOR  
PUSH PUSH TYPE  
STANDARD H0

SIZE	CAGE CODE	DRAWING NO 番号	RESTRICTED TO
A3	00779	G-1939870	-

SCALE 4:1 SHEET 3 OF 4 REV D

