

5

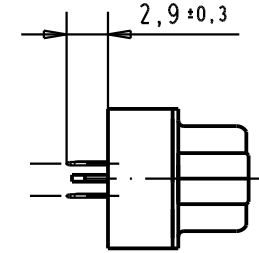
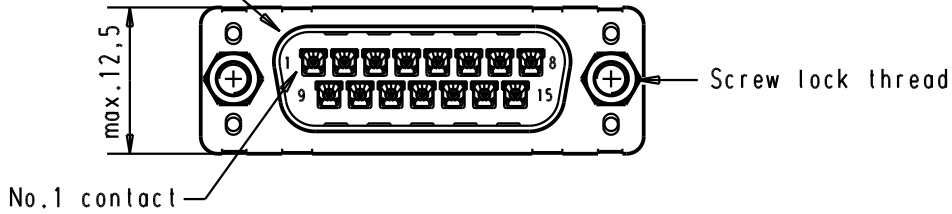
4

3

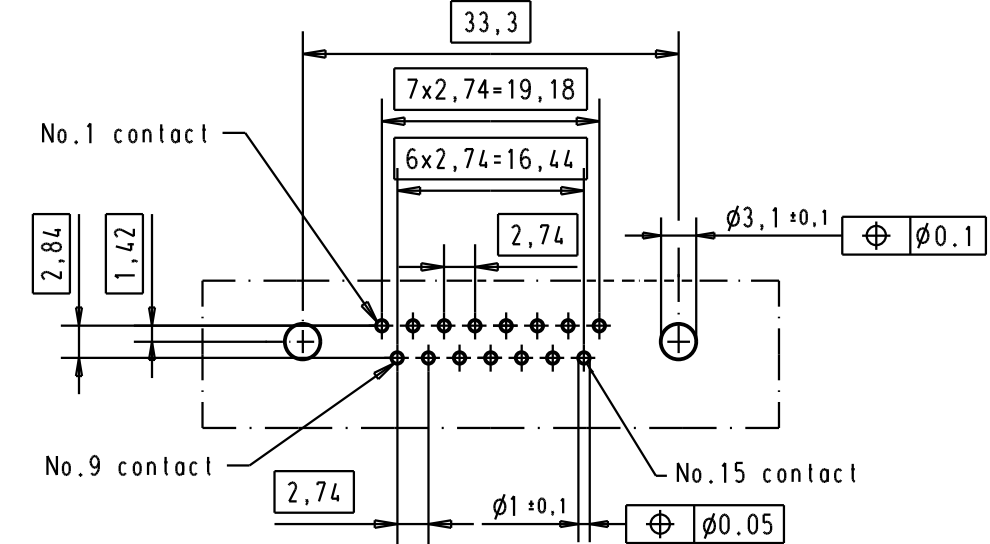
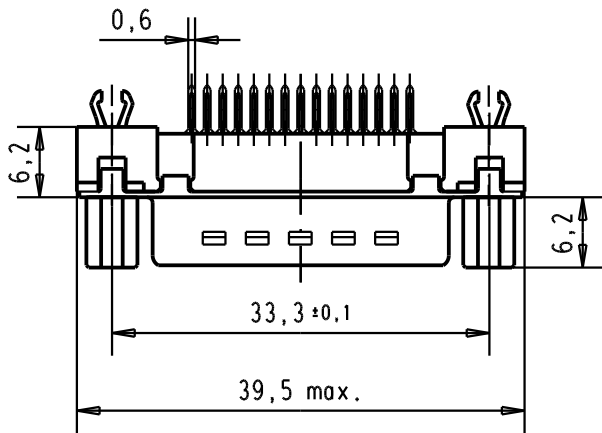
2

1

Mating face according to : MIL-C-24308 / DIN 41652 / CECC 75301-802



Printed board layout component side



Connector retention and insertion forces on the PCB = 25 / 80 Newtons.

A	09 65 269 3733	M3	1							<p>All Dim. in mm Orig. Size DIN A 4</p>	D-Sub, High temperature, 15 poles, male, straight with solder pins 2.9, screw lock and grounding board lock	Maßstab/ Scale  1,5:1
	09 65 269 6733	M3	2				Det.	04/09/02	YT			
	09 65 269 7733	M3	3				Insp.					
	09 65 269 3713	4-40 UNC	1				Stand.					
	09 65 269 6713	4-40 UNC	2	31892	22/04/04	JH	HARTING EURL F-95972 Paris					
09 65 269 7713	4-40 UNC	3	31084	04/09/02	YT							
	Part number	Screw lock thread	Performance level	Mod.	Dat.	Name					TB 09 65 269 X7X3 Sub.	Blatt / Page 1 /