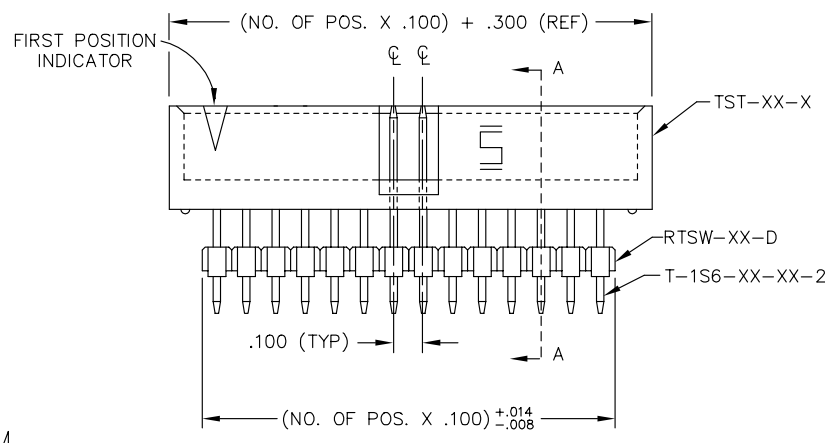
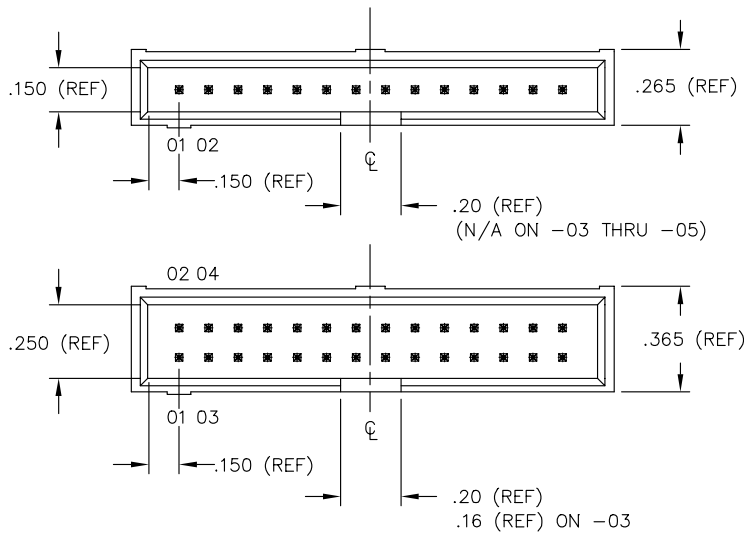


REV. N

PLOT SCALE 1=3

DIMENSIONS ARE IN INCHES		UNLESS OTHERWISE NOTED	TOLERANCES ARE:	TITLE:	DWG NO:
ONE PLACE DECIMALS ±.1	THREE PLACE DECIMALS ± .005	TOLERANCES ARE:	ANGLES ± 2°	ZST-ASSEMBLY	ZST-1XX-XX-XX-X-XXXX-XX-XX
TWO PLACE DECIMALS ±.01	FOUR PLACE DECIMALS ± .0020				
				SHEET 1 OF 1	



ZST-1XX-XX-XX-X-XXXX-XX-XX

NO. OF POSITIONS  
 (3 THRU 18,20,24, 25,28,30,32,36)

LEAD STYLE  
 SEE TABLE 1

PLATING OPTION  
 -G: GOLD  
 -T: TIN  
 -S: SELECTIVE HEAVY GOLD  
 -H: HEAVY GOLD  
 -L: SELECTIVE LIGHT GOLD  
 -F: FLASH SELECTIVE GOLD  
 -P: GOLD FLASHED PALLADIUM NICKEL  
 -SM: HEAVY GOLD SELECTIVE, MATTE TIN TAIL  
 -TM: MATTE TIN  
 -LM: LIGHT GOLD SELECTIVE, MATTE TIN TAIL  
 -FM: FLASH GOLD SELECTIVE, MATTE TIN TAIL

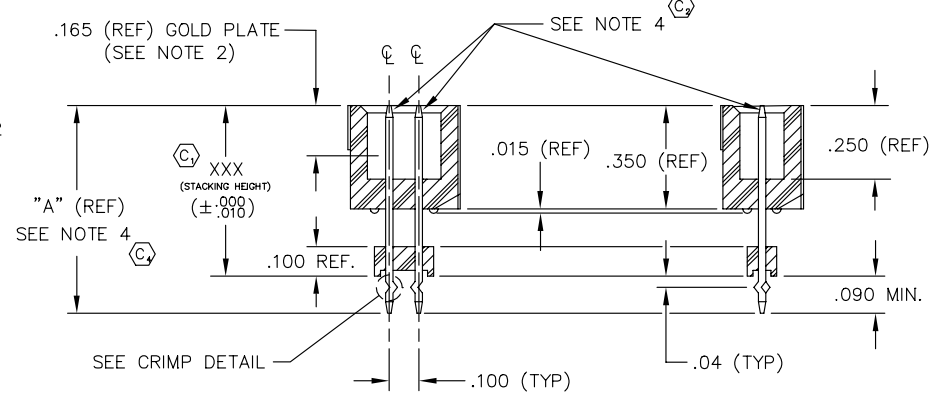
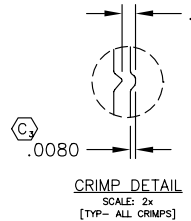
ROW OPTION  
 -D DOUBLE  
 -S SINGLE

POLARIZED OPTION  
 SPECIFY POSITION TO BE REMOVED (XX)  
 OPTION  
 -LL: LOCKING LEAD  
 (SEE SECT. 'A-A' & FIG. 1)

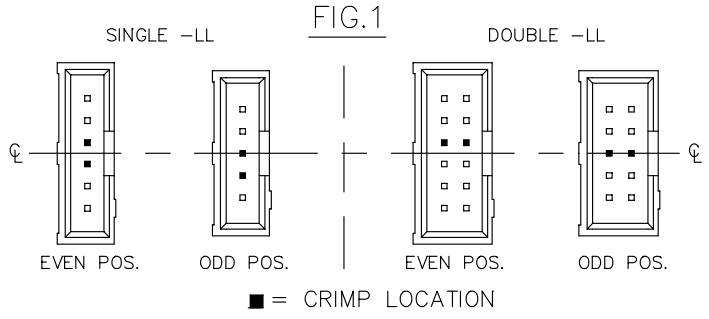
STACKING HEIGHT  
 .450 MIN. STACKING HEIGHT  
 (.535 MIN. BOARD SPACING WHEN MATED WITH SAMTEC SSW)

TABLE 1

LEAD STYLE	TERMINAL	MAX STACKING HEIGHT	"A"
-01	T-1S6-15-XX-2	.540	.630
-02	T-1S6-09-XX-2	.640	.730
-03	T-1S6-10-XX-2	.740	.830
-04	T-1S6-11-XX-2	.840	.930
-05	T-1S6-12-XX-2	.940	1.030
-06	T-1S6-20-XX-2	1.040	1.130
-07	T-1S6-13-XX-2	1.140	1.230
-08	T-1S6-19-XX-2	1.240	1.330
-09	T-1S6-14-XX-2	1.340	1.430



DO NOT SCALE FROM THIS PRINT



**PROPRIETARY NOTE**  
 THIS DOCUMENT CONTAINS INFORMATION CONFIDENTIAL AND PROPRIETARY TO SAMTEC INC. AND SHALL NOT BE REPRODUCED OR TRANSFERRED TO OTHER DOCUMENTS OR DISCLOSED TO OTHERS OR USED FOR ANY PURPOSE OTHER THAN THAT FOR WHICH IT WAS OBTAINED WITHOUT THE EXPRESSED WRITTEN CONSENT OF SAMTEC INC.

- NOTES:
1. TERMINAL PUSHOUT FORCE 3 LBS.
  2. ASSEMBLE GOLD PLATE END AS SHOWN.
  3. (⊕) REPRESENTS CRITICAL DIMENSION FOR STATISTICAL PROCESS CONTROL.
  4. TERMINALS TO BE FLUSH TO .010 BELOW TOP OF SHROUD.

MISC/MKTG ZST-MKT

**samtec**

810 PROGRESS BLVD. NEW ALBANY, INDIANA 47150  
 PHONE (812) 944-6733 P.O. BOX 1147  
 CODE 55322

MADE BY: TIM PLUMMER

ZST-1XX-XX-XX-X-XXXX-XX-XX

SHEET 1 OF 1