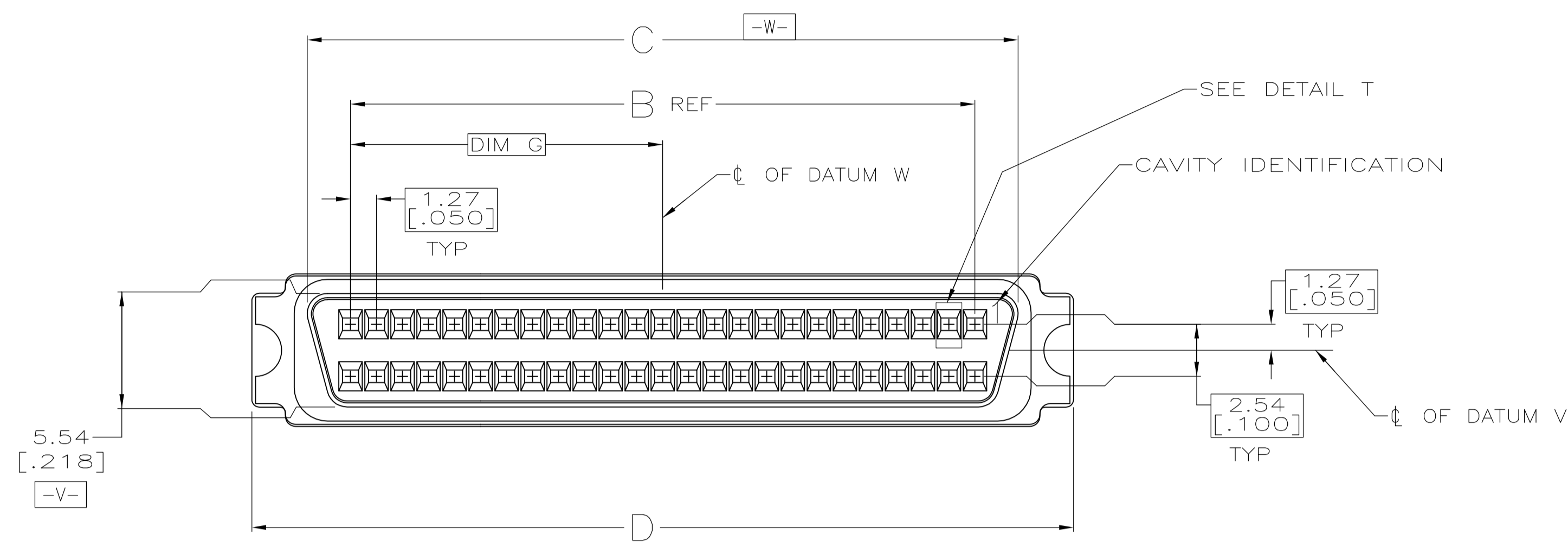
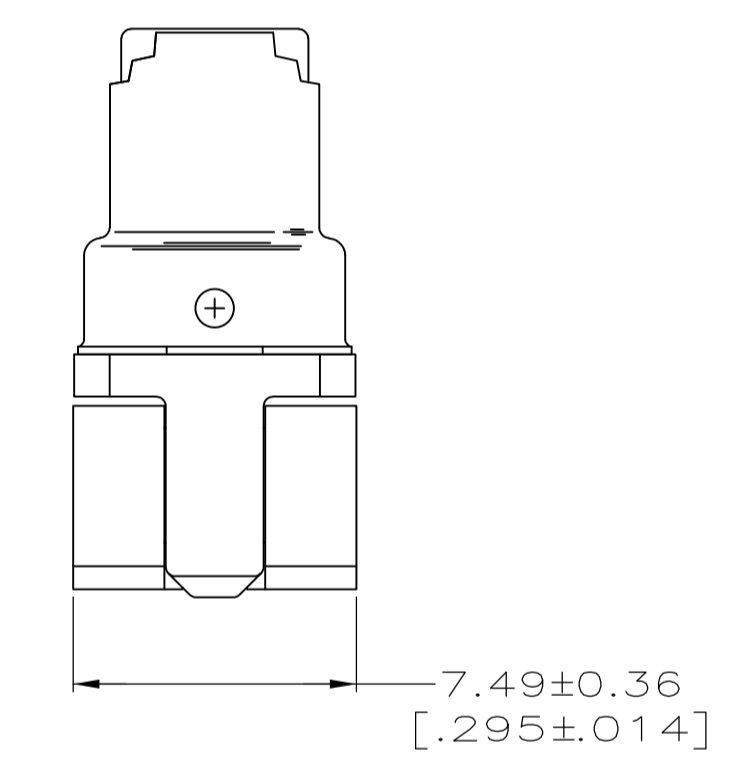
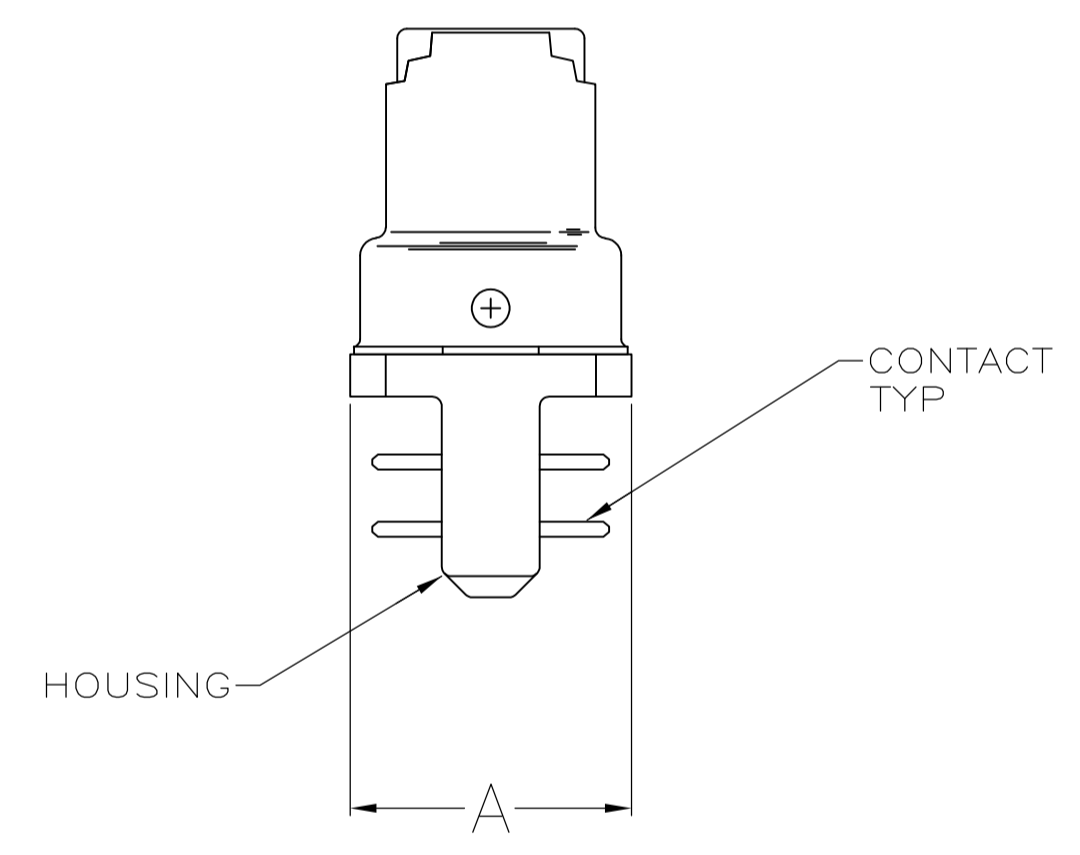
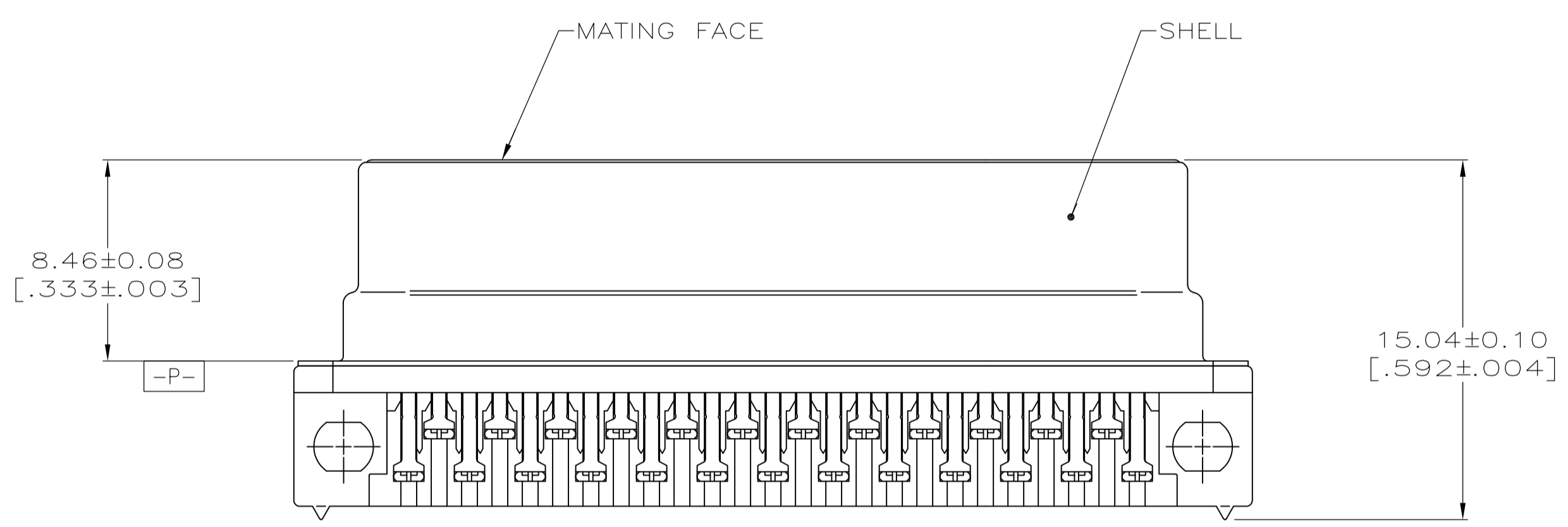


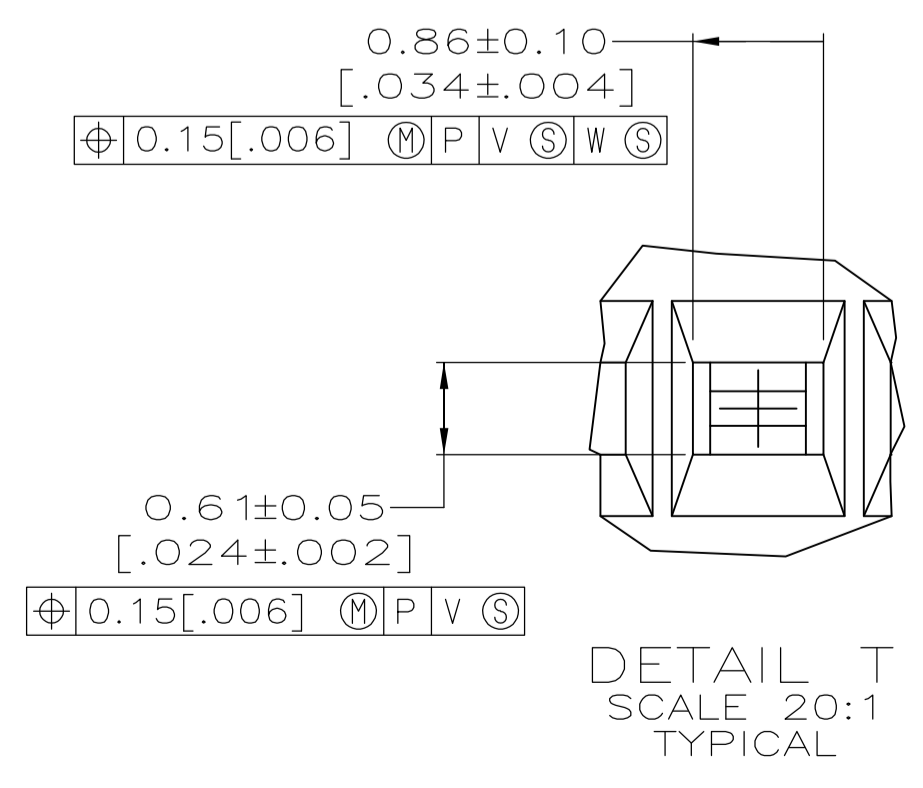
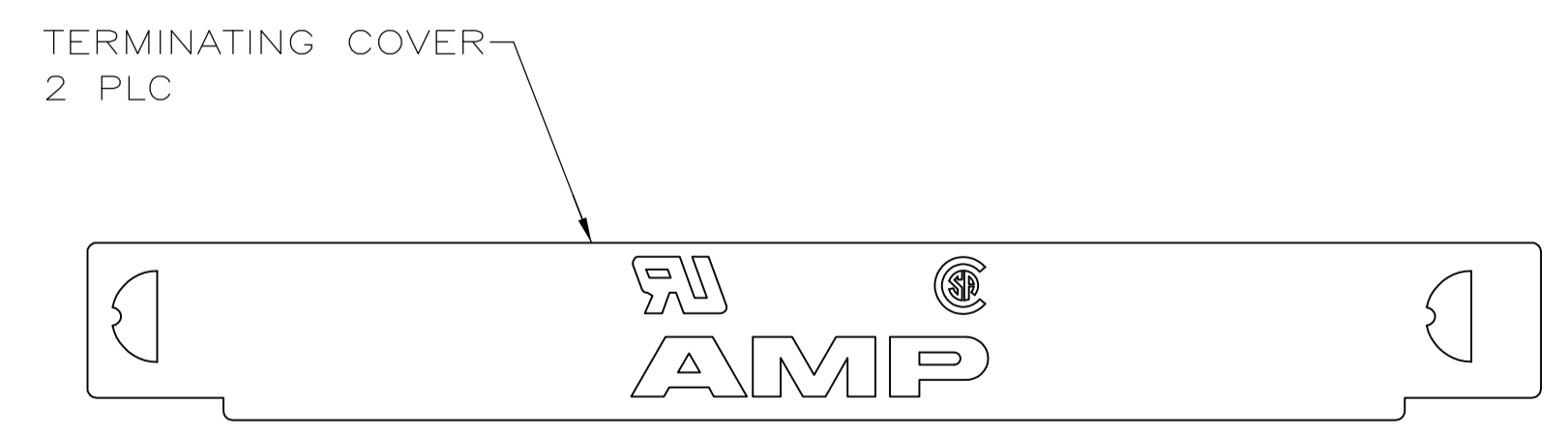
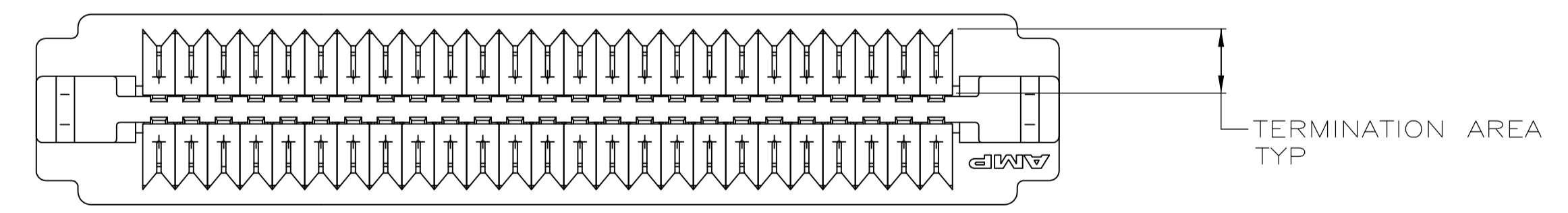
LOC		DIST		REVISIONS			
P	LTR	DESCRIPTION	DATE	DN	APVD		
C		REVISED PER ECO-11-001216	08FEB2011	CJV	SLB		



- 1 MATERIAL
 CONTACTS: PHOSPHOR BRONZE.
 SHELL: CARBON STEEL
 HOUSING: POLYESTER, BLACK, UL 94V-0 RATED.
 TERMINATING COVERS: POLYESTER, UL 94V-0 RATED, COLOR-BLACK.
- 2 FINISH
 CONTACTS: EITHER 0.76μm [.000030] MIN GOLD PLATE OR GOLD FLASH OVER
 PALLADIUM NICKEL PLATE, 0.76μm [.000030] MIN TOTAL FOR A LENGTH OF 0.64
 [.025] MIN, 0.13 [.005] MAX FROM MATING END, 1.27μm [.000050] MIN TIN IN
 TERMINATION AREA, ALL OVER 1.27μm [.000050] MIN NICKEL UNDERPLATE OVER
 ENTIRE CONTACT.
 SHELL: 5.08μm [.000200] MIN NICKEL OVER 1.27μm [.000050] MIN COPPER.
- 3 RECOMMENDED WIRE: 28 AWG OR 30 AWG, SOLID OR 7 STRAND. PVC INSULATION,
 REFER TO TABLE BELOW FOR INSULATION DIA.
4. COVERS PACKAGED SEPARATE FROM CONNECTORS IN SAME SHIPPING CONTAINER.



TERMINATED VIEW



**COPYRIGHT 2005
 TYCO ELECTRONICS CORP
 ALL RIGHTS RESERVED**

0.81-0.91 [.032-.036] DIA	20.96 [.825]	51.54 [2.029]	46.13 [1.816]	41.91 [1.650]	7.39 [.291]	68	5786860-7
INSULATION OUTER DIA 3	G	D	C	B	A	NO OF POSN	PART NO.
DIMENSIONS: mm [INCHES]		TOLERANCES UNLESS OTHERWISE SPECIFIED:		DIN 02-18-05 L. VARELA - DOCKS S. SHUFY 02-18-05		Tyco Electronics Corporation Harrisburg, PA 17105-3608	
0 PLC ± - 1 PLC ± - 2 PLC ± 0.13 [.005] 3 PLC ± - 4 PLC ± - ANGLES ± -		MATERIAL 1 FINISH 2		APVD M. WALMSLEY 02-18-05 NAME PRODUCT SPEC 108-1228 APPLICATION SPEC 114-40029		Tyco Electronics Corporation RECEPTACLE CABLE CONNECTOR KIT, UNASSEMBLED, WITH TERMINATING COVER, .050 SERIES, AMPLIMITE	
CUSTOMER DRAWING		SCALE 5:1		SHEET 1 OF 1		REV C	