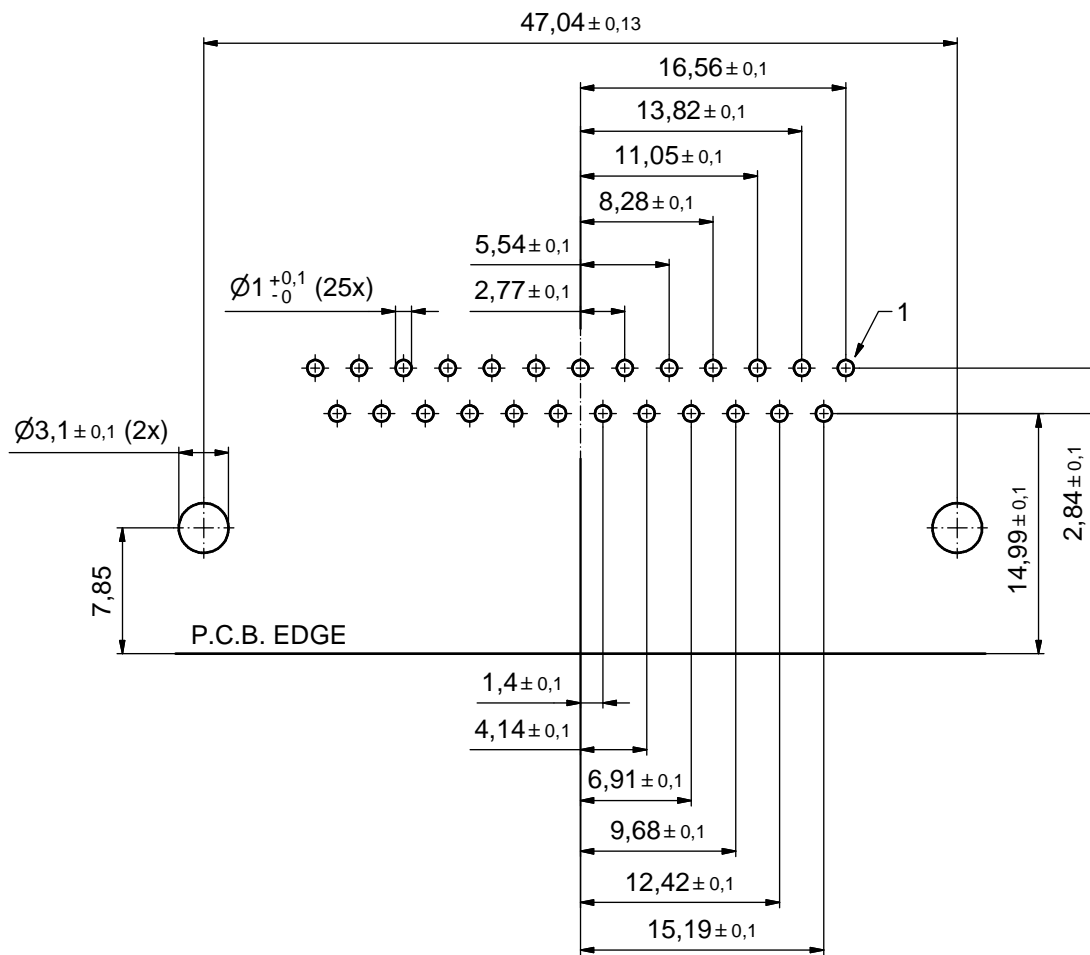


NOTES:

1. RoHS COMPLIANT
2. SUITABLE FOR WAVESOLDERING (SOLDER BATH TEMPERATURE 260°C F OR 5 SEC. AND SOLDER PREHEAT 100°C FOR 30 SEC.)
3. METALSHELLS: STEEL; min. 315µin TIN over 40-80µin NICKEL
4. INSULATOR: HIGH TEMPERATURE PLASTIC UL 94 V-0; BLACK
5. CONTACTS: COPPER ALLOY; PLATING (SEE PART-NO.):
 - PLEASE ADD A for GOLD FLASH over NICKEL (PREFERRED TYPE)
 - PLEASE ADD B for 20µin HARD GOLD over min. 50µin NICKEL
 - PLEASE ADD C for 30µin HARD GOLD over min. 50µin NICKEL
6. METAL BRACKETS: ZINC DIE CAST; 300µin COPPER/40-120µin NICKEL/120-200µin TIN
7. THREADED INSERTS: COPPER ALLOY; min. 200µin TIN over 80µin NICKEL
8. PCB-SNAPS: COPPER ALLOY; min. 200µin TIN over 80µin NICKEL
PCB-HOLE: $\varnothing 3,1 \pm 0,1$; PCB THICKNESS 1,6mm
9. CAPACITANCE: 1300pF $\pm 20\%$
10. DIELECTRIC WITHSTANDING VOLTAGE: 424 VDC
11. P.C.B. HOLE DRILLINGS ON SHEET 2
12. MAXIMUM TORQUE VALUE FOR THREAD: 6 in.LB
13. CONNECTOR IS PART MARKED: 242□20590X CONEC ABC (see note 5)

Directive 2002/95/EC RoHS compliant

THIS DRAWING MAY NOT BE COPIED OR REPRODUCED IN ANY WAY, AND MAY NOT BE PASSED ON TO A THIRD PARTY WITHOUT WRITTEN PERMISSION. OWNERSHIP AND COPYRIGHT OF CONEC GmbH DO NOT ALTER CAD DRAWING BY HAND	tolerance		dim. in mm	scale: 2:1 (5:1)	
				material: SEE NOTES	
	date	name		title: D-SUB FILTER FEMALE 90° 25pos. SOLDER PIN ANGLED 0.590inch with threaded insert, metal bracket and snap	
	drawn 24.09.13	Lehmenkühler			
	appd. 24.09.13	Fischer			
norm	d-old		dwg no:		
a Original			24K1A1470		
rev. description date name			part no: 242□20590X (see note 5)		
				DIN-A3	
				sh: 1	



P.C.B. HOLE DRILLINGS
(P.C.B. TO SIDE)

THIS DRAWING MAY NOT BE COPIED OR REPRODUCED IN ANY WAY, AND MAY NOT BE PASSED ON TO A THIRD PARTY WITHOUT WRITTEN PERMISSION. OWNERSHIP AND COPYRIGHT OF CONEC GmbH DO NOT ALTER CAD DRAWING BY HAND				tolerance		scale: 3:1
				dim. in mm		material: SEE SHEET 1
				date	name	title: P.C.B. HOLE DRILLINGS D-SUB FILTER FEMALE 90°, 25pos. 0.590inch with threaded insert, metal bracket and snap
				drawn 24.09.13	Lehmenkühler	
				appd. 24.09.13	Fischer	
				norm		dwg no:
				d-old		DIN-A3
a	Original		CONEC ®		24K1A1470	sh: 2
rev.	description	date			name	part no: SEE SHEET 1