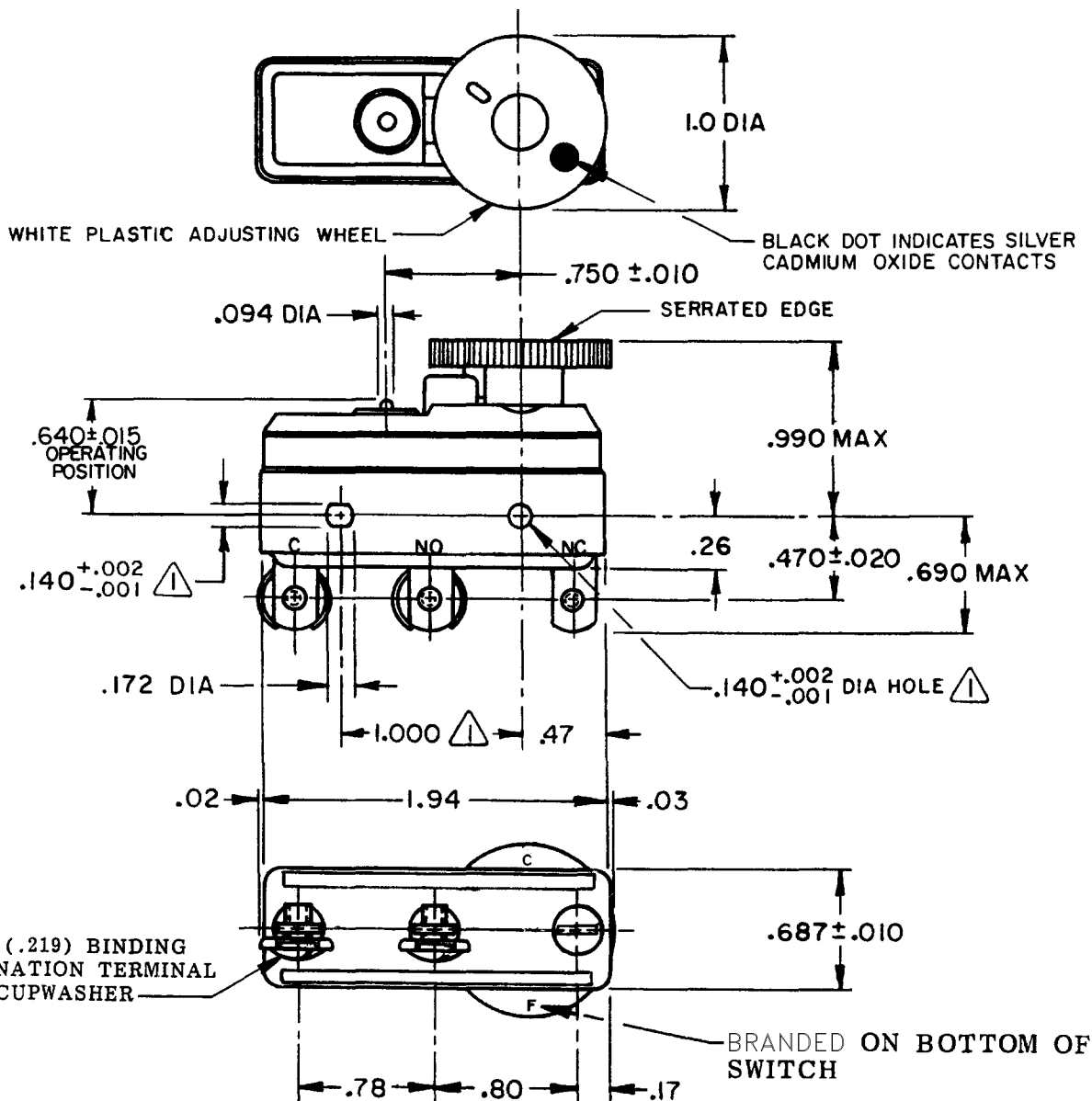


# MICRO SWITCH

FREEPORT ILLINOIS, U.S.A  
A DIVISION OF HONEYWELL  
FED. MFG. CODE 91929

## SWITCH - BASIC

CATALOG LISTING  
**10BS226**

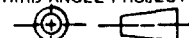


### NOTES

- 1 ⚠ MOUNTING HOLES WILL ACCEPT PINS OR SCREWS OF .139 MAX ON 1.000±.002 CENTERS
- 2 - DIAL WHEEL IS SHOWN AT THE MAX SETTING OF BREAK DISTANCE
- 3 - DIAL WHEEL ROTATION 300°
- 4 - 8-32 UNC X .218 REF TERMINAL SCREW AND WASHER FURNISHED UNASSEMBLED (1)

THIS DRAWING COVERS A PROPRIETARY ITEM AND IS THE PROPERTY OF MICRO SWITCH, A DIVISION OF HONEYWELL. THIS DRAWING IS NOT TO BE COPIED OR USED WITHOUT THE APPROVAL OF MICRO SWITCH.

THIRD ANGLE PROJECTION



### CHARACTERISTICS

AT MIN SETTING  
OPERATING FORCE ----- 11-20 OZ  
RELEASE FORCE ----- 10 OZ MIN  
DIFFERENTIAL TRAVEL ----- .0015-.0025

AT MAX SETTING  
DIFFERENTIAL TRAVEL ----- .007 MIN  
OVERTRAVEL ----- .010 MIN

### ELECTRICAL DATA

CONTACT ARRANGEMENT  
S P D T

L17  
20A 125, 250 OR 480 VAC  
3/4 HP 125 VAC, 1 1/2 HP 250 VAC



SCALE FULL

DO NOT SCALE PRINT

TOLERANCES  
APPLY TO DESIGN LIMITS. CONVERSIONS ARE ONLY FOR REFERENCE. UNLESS NOTED, TOLERANCES ARE ±

	DIM. mm	TOL. mm/in	DIM. in	TOL. mm/in
NO PLACES	X	17.04	X X	0.67.00
ONE PLACE	X, X	0.47.016	X, X X	0.387.016
TWO PLACES	X, X, X	0.157.008	X, X X X	0.137.006
THREE PLACES	X, X, X, X			
ANGLES				

DESIGN UNITS  SI METRIC  US CUSTOMARY

WEIGHT

M 10BS226

DRAWING NUMBER

8

ISSUE

### REVISIONS

A	C080053	JALA	5 APR 95
B	C080986	JALA	26 JUN 95

REPLACES

RELEASE NO. PR-13879

CHECK

CHECK

MAY 85

KAG

85

APR 85

J A P 29

DRAWN

FORMTEK