

CODE	DIM "M" MATING LENGTH	CONTACT TYPE
PC	[N/A]	POWER
G	[6.86]	SIGNAL
HA	[N/A]	HOLD-DOWN
X		OMITTED

spec ref	See Notes			dr	Jackie Huang	2013/07/10	projection 	MM ←→	size	A4	scale	1:1	
tolerance std	TOLERANCES UNLESS OTHERWISE SPECIFIED			eng	Jackie Huang	2013/08/15			ecn no	-			
See Notes				chr	-	-			product family	PwrBlade			rel level
surface	linear	0.X	±0.50	FCI www.fci.com	title	16S+12DCP VERTICAL PF HEADER	cat. no.	&model_name	Product - Customer Drw	dwg no	51952-250	rev	A
		0.XX	±0.25										
	0.XXX	±0.10											
	angular	0°	±2°									sheet 1 of 4	

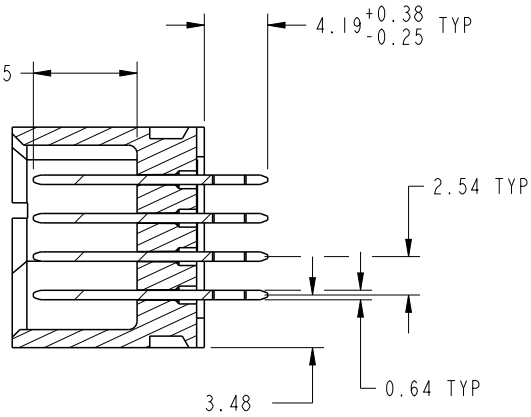
PrdE File - REV C - 2009-06-09



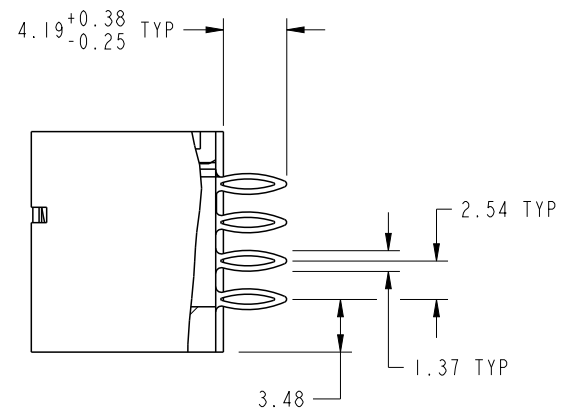
Copyright FCI.

PRODUCT NUMBER
51952-250--
NOTE 3

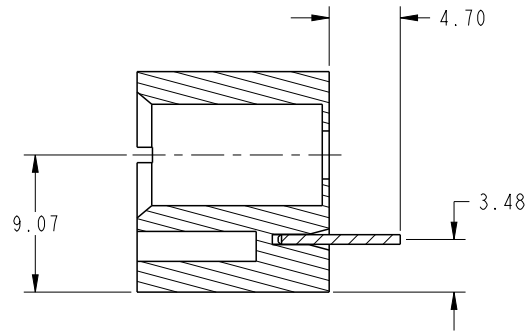
DIM "M" ±0.25



SECTION A-A
SCALE 2:1



SECTION B-B
SCALE 2:1

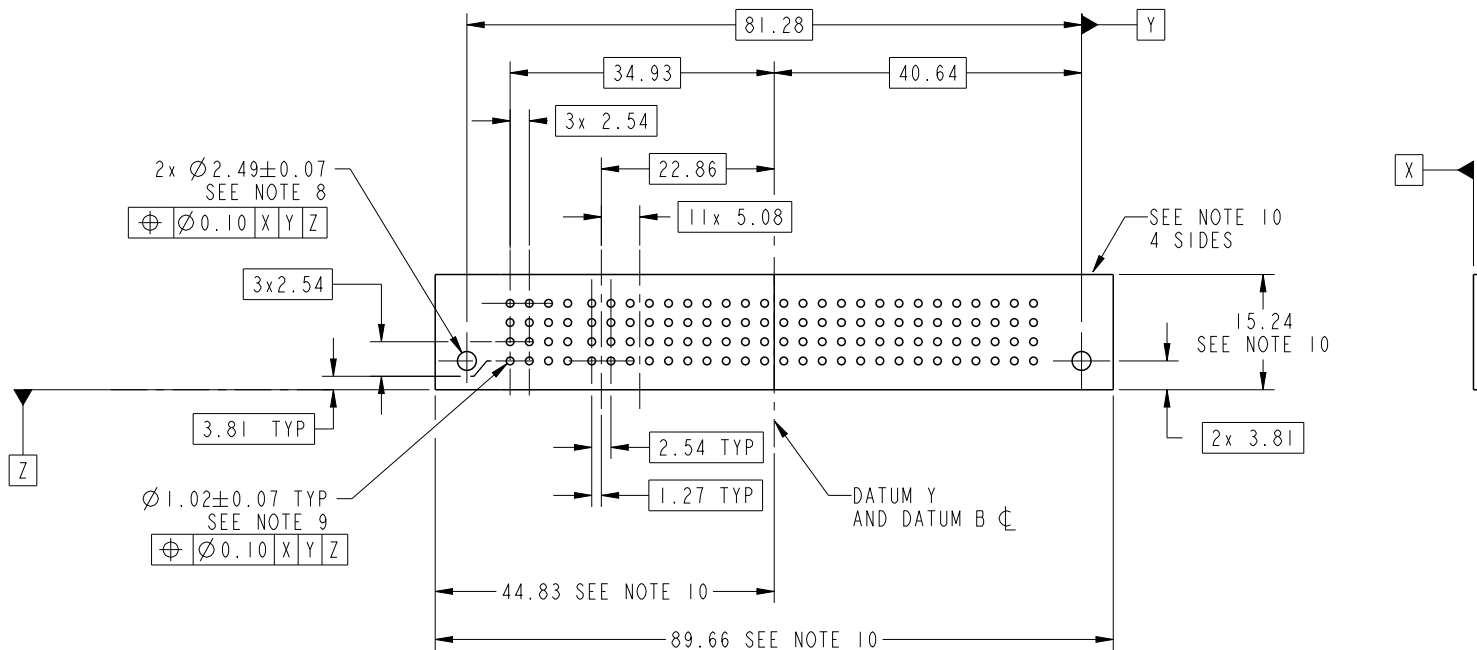


SECTION C-C
SCALE 2:1

dr	Jackie Huang	2013/07/10	projection 	MM 	size	A4	scale	1:1	
eng	Jackie Huang	2013/08/15			ecn no	-			
chr	-	-			rel level	Released			
appr	Pei-Ming Zheng	2013/08/15	product family	PwrBlade					
		title	I6S+I2DCP VERTICAL PF HEADER		dwg no	51952-250		rev	A
www.fci.com		cat. no.	&model_name	Product - Customer Drw		sheet 2 of 4			

PRODUCT NUMBER

51952-250__
NOTE 3



RECOMMENDED PCB LAYOUT

dr	Jackie Huang	2013/07/10	projection 	MM 	size	A4	scale	1:1
eng	Jackie Huang	2013/08/15			ecn no	-		
chr	-	-			rel level	Released		
appr	Pei-Ming Zheng	2013/08/15	product family	PwrBlade	rev	A		
	title	16S+12DCP VERTICAL PF HEADER		dwg no	51952-250			
www.fci.com	cat. no.	&model_name	Product - Customer Drw		sheet 3 of 4			

PRODUCT NUMBER

51952-250__
NOTE 3

NOTES:

1. DIMENSIONS AND TOLERANCES ARE IN ACCORDANCE WITH ASME Y14.5M, 1994 UNLESS OTHERWISE SPECIFIED.

CONNECTOR NOTES:

- 2 HOUSING MATERIAL: UL 94 V-0 GLASS FILLED HIGH-TEMP THERMOPLASTIC
POWER CONTACT MATERIAL: COPPER ALLOY
SIGNAL PIN MATERIAL: COPPER ALLOY
- 3. SEE ITEM 3 & 4 IN PRINT 10064183 FOR PLATING SPEC OF 51952-250 AND 51952-250LF RESPECTIVELY.

4 MANUFACTURER'S NAME, DATE CODE AND OPTIONAL P/N TO APPEAR ON THIS SURFACE. THE MARK CAN BE OMITTED IF THERE IS NOT ENOUGH SPACE ON THIS SURFACE.

5. PRODUCT SPECIFICATION GS-12-149.
APPLICATION SPECIFICATION BUS-20-067.

6. PACKAGED IN TRAYS.

PCB NOTES:

- 7. ALL HOLE DIAMETERS ARE FINISHED HOLE SIZE.
- 8. MOUNTING HOLES, WHERE APPLICABLE, ARE UNPLATED.

9 $\varnothing 1.151 \pm 0.025$ DRILLED HOLES PLATED WITH 0.008 MIN SnPb OR Sn OVER .001 [0.03] TO 0.08 Cu PLATING TO ACHIEVE $\varnothing 1.02 \pm 0.07$ HOLE.

10 CONNECTOR KEEP-OUT ZONE.

11. FOR PRESS FIT APPLICATION USE FCI CAM TOOL 430169-XXX.



Copyright FCI.

dr	Jackie Huang	2013/07/10	projection 	MM 	size	A4	scale	1:1
eng	Jackie Huang	2013/08/15			ecn no	-		
chr	-	-						
appr	Pei-Ming Zheng	2013/08/15	product family	PwrBlade	rel level	Released		
	title	16S+12DCP VERTICAL PF HEADER		dwg no	51952-250		rev	A
www.fci.com	cat. no.	&model_name	Product - Customer Drw		sheet 4 of 4			