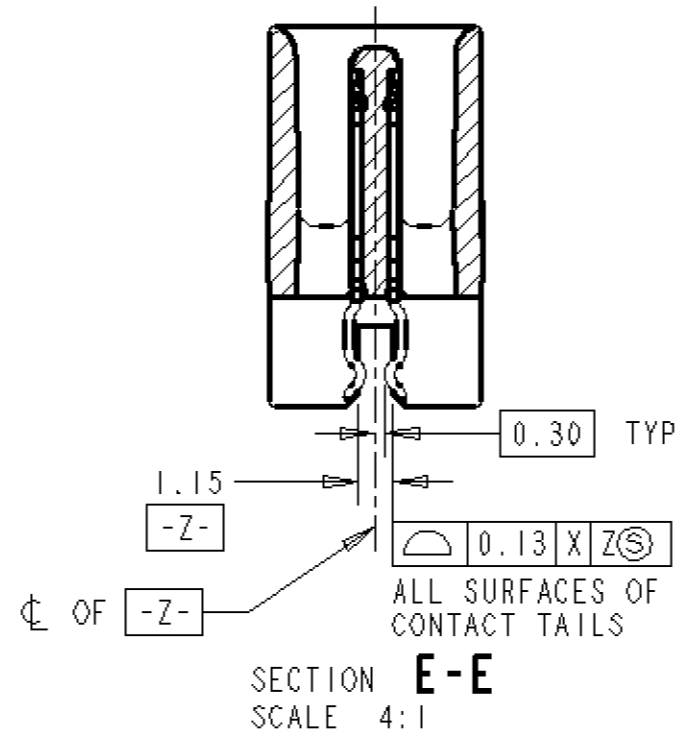
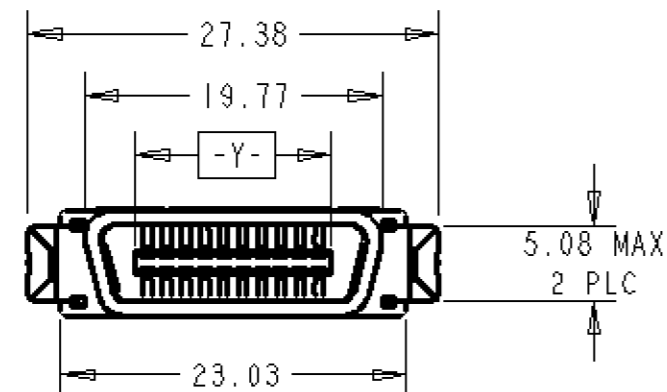
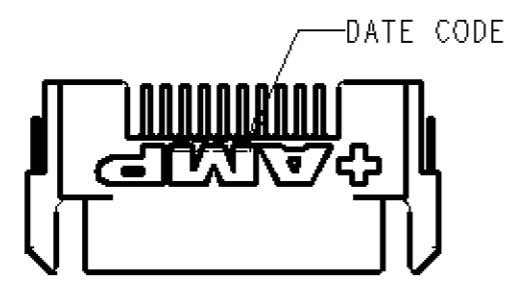
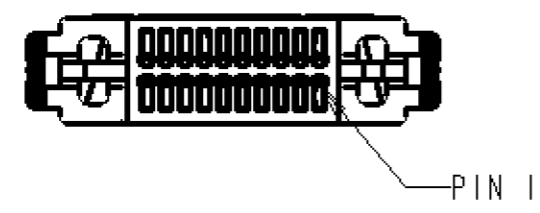
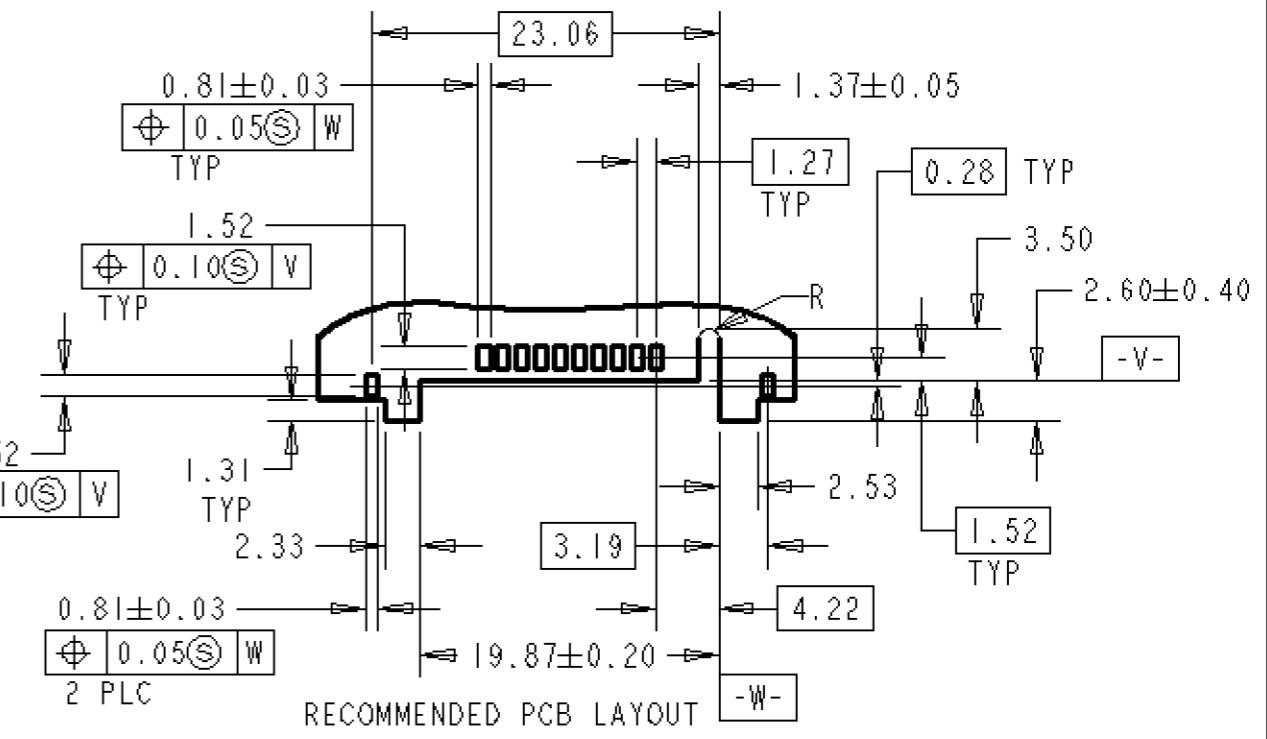
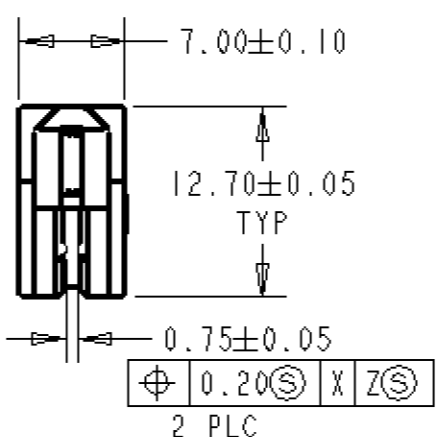
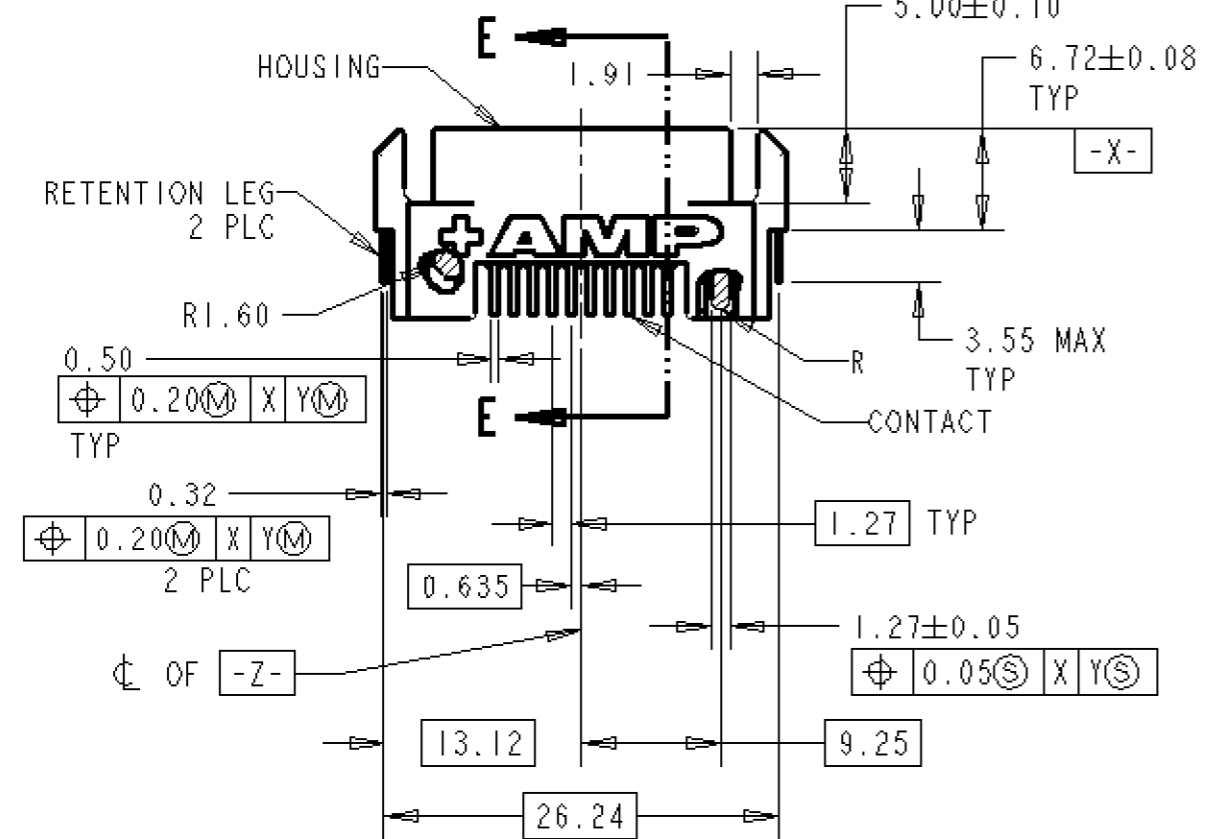


THIS DRAWING IS UNPUBLISHED. RELEASED FOR PUBLICATION BY AMP INCORPORATED. ALL RIGHTS RESERVED.

LOC		DIST		REVISIONS					
DY		-		P	LTR	DESCRIPTION	DATE	DMN	APVD
				A		REVISED FP00-0276-99	30AUG99	LWY	TAP



NOTES:
 1 HOUSING: LCP, UL 94V-0 RATED, BLACK
 CONTACTS: PHOSPHOR BRONZE
 RETENTION LEGS: BRASS
 2 CONTACT:
 0.76um MIN GOLD FOR A LENGTH 2.00 STARTING 1.00 MAX FROM MATING END, 3.81um MIN TIN/LEAD FOR A LENGTH OF 3.43 MIN FROM OPPOSITE END, BOTH OVER 1.27um MIN NICKEL
 RETENTION LEG:
 3.81 um MIN TIN-LEAD OVER 1.27um MIN NICKEL
 3. RECOMMENDED PCB THICKNESS: 0.80±0.10



P/N: -1 AS SHOWN

<small>THIS DRAWING IS A CONTROLLED DOCUMENT FOR AMP INCORPORATED. IT IS SUBJECT TO CHANGE AND THE CONTROLLING ENGINEERING ORGANIZATION SHOULD BE CONTACTED FOR THE LATEST REVISION.</small>		DWN WYLEE 4MAY99 CHK AP TAY APVD SE LEONG PRODUCT SPEC 108-1548 APPLICATION SPEC 114-6061 WEIGHT - CUSTOMER DRAWING	AMP ANP MANUFACTURING (SINGAPORE) PTE. LTD. NAME PLUG ASSY, STRADDLE MOUNT, CHAMP BLINDMATE .050 SERIES I, 20P (NARROW GAP) SIZE A3 CAGE CODE 00779 DRAWING NO C-84653 SCALE 2:1 SHEET 1 OF 1 REV A
DIMENSIONS: mm 	TOLERANCES UNLESS OTHERWISE SPECIFIED: 0 PLC ± 1 PLC ± 2 PLC ±0.15 3 PLC ± 4 PLC ± ANGLES ±°	MATERIAL 1 FINISH 2	