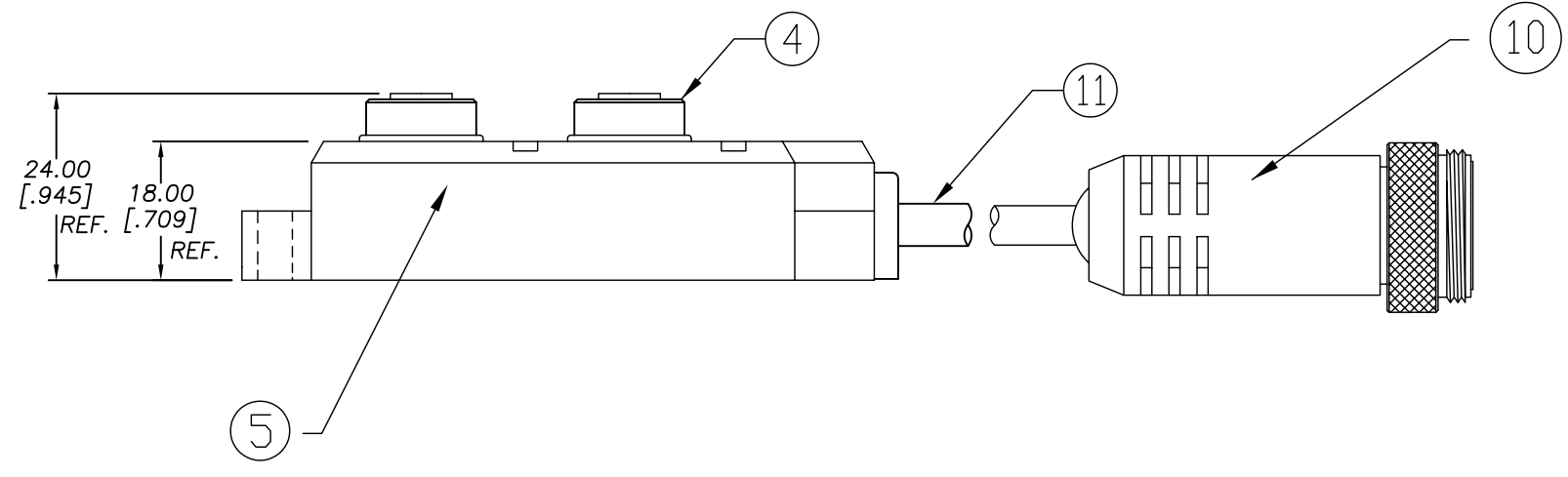
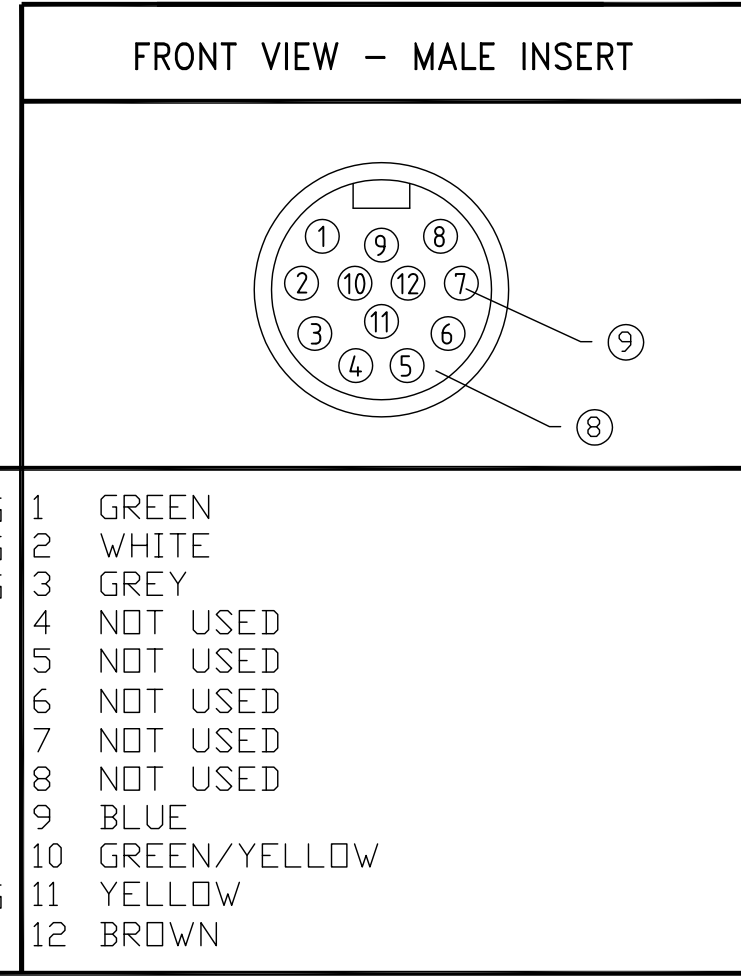
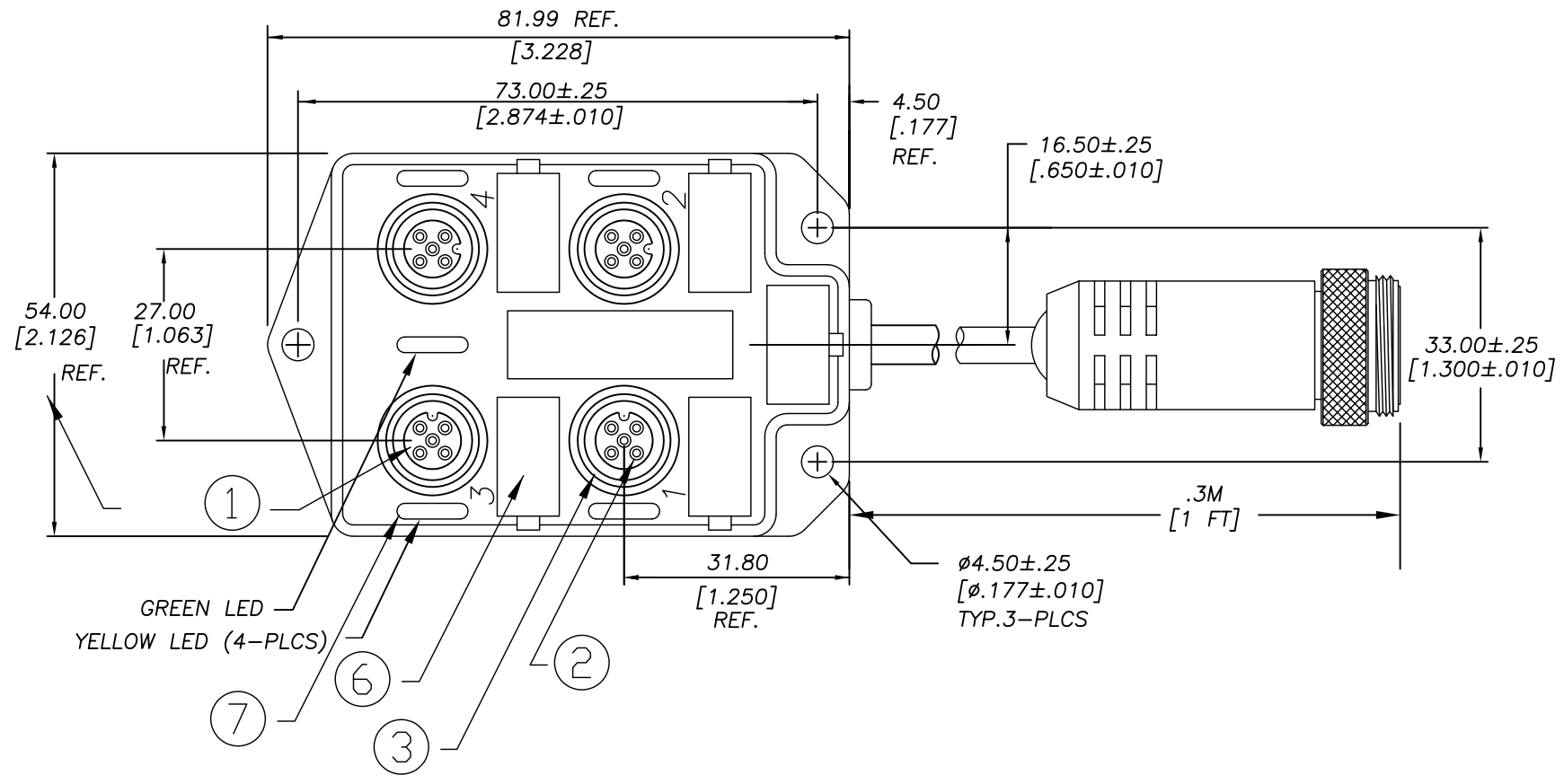


13	12	11	10	9	8	7	6	5	4	3	2	1
MATERIAL NUMBER	OLD PART NUMBER	FINISHED LENGTH										
1201140052	BTY496P-FBP-05	16.40' +6.50" -0 [5.0M +165.1 -0]										



NUMBERS IN BRACKETS ARE FOR NUMBERED CORED CABLE

ITEM	COMPONENT	MATERIAL	FINISH
1	INSERT	NYLON	BLACK
2	CONTACT SOCKET	COPPER ALLOY	GOLD OVER NICKEL
3	O-RING	VITON	RED
4	RECEPTACLE SHELL	BRASS	NICKEL PLATED
5	HOUSING	PBT	YELLOW
6	LABEL	ABS	WHITE
7	LENS	NYLON	CLEAR
8	INSERT	PVC	YELLOW
9	CONTACT PIN	COPPER ALLOY	GOLD OVER NICKEL
10	RECEPTACLE SHELL	BRASS	NICKEL PLATED
11	CABLE, 18AWG, 3 CONDUCTOR, 22AWG, 8 CONDUCTOR, 300V	PUR	BLACK

VOLTAGE RATING	10-30 VDC
AMPERAGE RATING PER PORT	4 AMPS
PROTECTION	IP67
OPERATING TEMPERATURE	-20°C TO 90°C
UL CERTIFICATIONS	UL RECOGNIZED, FILE NO. E46237
CSA CERTIFICATIONS	CSA CERTIFIED, FILE NO. LR6837

ADD 2 PINS TO TABLE EC NO: WEU2010-0441 DRWN: BBRAUCH 2010/03/17 CH'KD: FP APPR: FPACHER 2010/03/19	DESCRIPTION REV 1	QUALITY SYMBOL ▽=0 ◁=0	GENERAL TOLERANCES (UNLESS SPECIFIED) <table border="1"> <tr> <td></td> <td>mm</td> <td>INCH</td> </tr> <tr> <td>4 PLACES</td> <td>±---</td> <td>±---</td> </tr> <tr> <td>3 PLACES</td> <td>±---</td> <td>±---</td> </tr> <tr> <td>2 PLACES</td> <td>±---</td> <td>±.01</td> </tr> <tr> <td>1 PLACE</td> <td>±0.3</td> <td>±---</td> </tr> </table>		mm	INCH	4 PLACES	±---	±---	3 PLACES	±---	±---	2 PLACES	±---	±.01	1 PLACE	±0.3	±---	DIMENSION STYLE IN/MM	DRAWN BY: BBRAUCH DATE: 2010/03/17 CHECKED BY: FP DATE: 2010/03/17 APPROVED BY: FPACHER DATE: 2010/03/18	SCALE: 2:1 DESIGN UNITS: METRIC THIRD ANGLE PROJECTION	TITLE: MICRO-CHANGE MPIS 4 PORT TOP MOUNT PNP #18/3 + #22/8 CABLE MOLEX INCORPORATED	MATERIAL NO.: SEE CHART DOCUMENT NO.: SD-120114-065 SHEET NO.: 1 OF 1
			mm	INCH																			
		4 PLACES	±---	±---																			
		3 PLACES	±---	±---																			
2 PLACES	±---	±.01																					
1 PLACE	±0.3	±---																					
DRAFT WHERE APPLICABLE MUST REMAIN WITHIN DIMENSIONS			SIZE: C	THIS DRAWING CONTAINS INFORMATION THAT IS PROPRIETARY TO MOLEX INCORPORATED AND SHOULD NOT BE USED WITHOUT WRITTEN PERMISSION																			