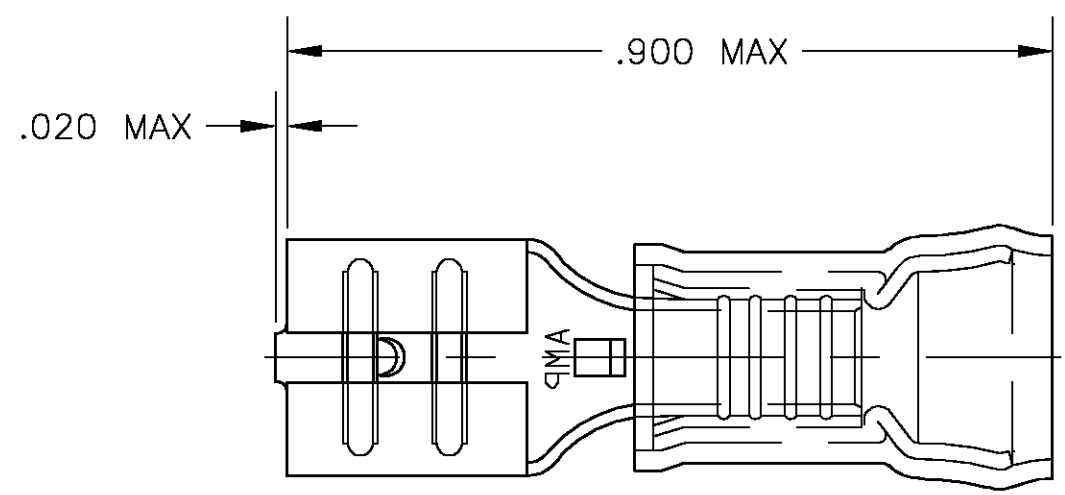


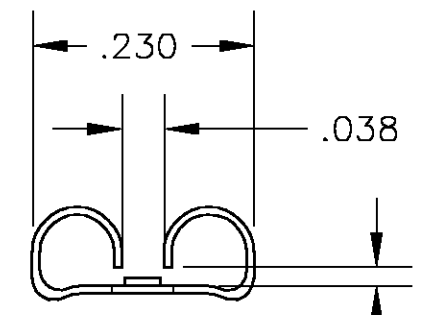
THIS DRAWING IS UNPUBLISHED. RELEASED FOR PUBLICATION  
 © COPYRIGHT BY TYCO ELECTRONICS CORPORATION. ALL RIGHTS RESERVED.

LOC	DIST	REVISIONS			
P	LTR	DESCRIPTION	DATE	DWN	APVD
G	14	C1	CORRECTED VIEW	25MAY04	JR TM

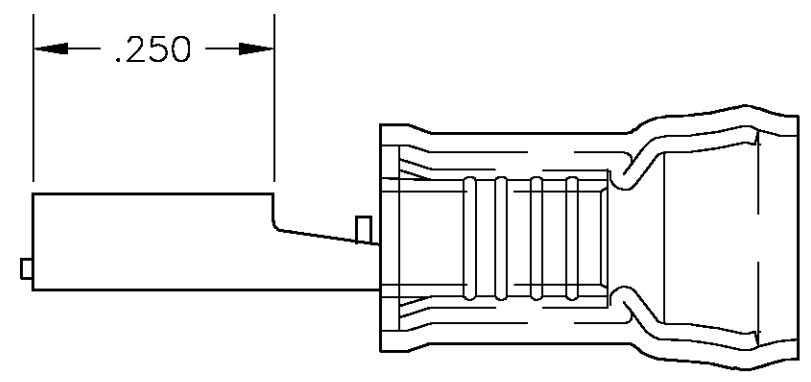


<b>AMP</b> WIRE RANGE <b>4</b>
16-14 AWG STRANDED

- 1 WIRE INSULATION DIA .250 MAX
- 2 MATES WITH .032±.001 THK TAB
- 3 MATERIAL THK IS .016±.002
- 4** MUST BE CRIMPED WITH PIDG FASTON 14-12 TOOLING.
- 5** BODY - BRASS PER ASTM B36  
SLEEVE - NYLON, COLOR BLUE
- 6** BODY - TIN PLATE PER ASTM B545



FITS .187 SERIES  
FASTON TAB



2500	ON TAPE, REEL	696108-2
500	LOOSE PIECE	696108-1
QTY	PACKAGE TYPE	PART NO

<b>AMP INCORPORATED CUSTOMER SERVICE SYSTEMS</b>		MAX RECOMMENDED OPERATING TEMPERATURE: <b>90° C</b>	THIS DRAWING IS A CONTROLLED DOCUMENT.		DWN jr_ruth 13APR99	<b>tyco</b> Electronics Tyco Electronics Corporation Harrisburg, PA 17105				
FOR ADDITIONAL PRODUCT INFORMATION OR COPIES OF DRAWINGS AND TECHNICAL DOCUMENTS	PRODUCT INFORMATION CENTER 1-800-522-6752	VOLTAGE RATING: <b>300V MAX</b>	DIMENSIONS: INCHES	TOLERANCES UNLESS OTHERWISE SPECIFIED:	CHK T MICHELUTTI 13APR99	NAME <b>RECEPTACLE, .187 SERIES FASTON, PIDG WIRE SIZE 16-14 AWG</b>				
FOR APPLICATION TOOLING INFORMATION	TOOLING ASSISTANCE CENTER 1-800-722-1111	CIRCULAR MIL AREA: 1.04-2.62mm <sup>2</sup> [2,050-5,180] STRANDED		0 PLC ± - 1 PLC ± - 2 PLC ± - 3 PLC ± .015 4 PLC ± - ANGLES ± 5'	APVD T MICHELUTTI 13APR99			APPLICATION SPEC <b>114-1002</b>		
FOR ORDER ENTRY	1-800-526-5142	THIS DRAWING IS A CONTROLLED DOCUMENT FOR AMP INCORPORATED. IT IS SUBJECT TO CHANGE AND THE CONTROLLING ENGINEERING ORGANIZATION SHOULD BE CONTACTED FOR THE LATEST REVISION.		MATERIAL - <b>5</b>	FINISH - <b>6</b>	WEIGHT -	SIZE <b>A3</b>	CAGE CODE <b>00779</b>	DRAWING NO <b>C-696108</b>	RESTRICTED TO -
CUSTOMER DRAWING						SCALE <b>5:1</b>	SHEET <b>1</b>	OF <b>1</b>	REV <b>C1</b>	