

To our customers,

Old Company Name in Catalogs and Other Documents

On April 1st, 2010, NEC Electronics Corporation merged with Renesas Technology Corporation, and Renesas Electronics Corporation took over all the business of both companies. Therefore, although the old company name remains in this document, it is a valid Renesas Electronics document. We appreciate your understanding.

Renesas Electronics website: <http://www.renesas.com>

April 1st, 2010
Renesas Electronics Corporation

Issued by: Renesas Electronics Corporation (<http://www.renesas.com>)

Send any inquiries to <http://www.renesas.com/inquiry>.

Notice

1. All information included in this document is current as of the date this document is issued. Such information, however, is subject to change without any prior notice. Before purchasing or using any Renesas Electronics products listed herein, please confirm the latest product information with a Renesas Electronics sales office. Also, please pay regular and careful attention to additional and different information to be disclosed by Renesas Electronics such as that disclosed through our website.
2. Renesas Electronics does not assume any liability for infringement of patents, copyrights, or other intellectual property rights of third parties by or arising from the use of Renesas Electronics products or technical information described in this document. No license, express, implied or otherwise, is granted hereby under any patents, copyrights or other intellectual property rights of Renesas Electronics or others.
3. You should not alter, modify, copy, or otherwise misappropriate any Renesas Electronics product, whether in whole or in part.
4. Descriptions of circuits, software and other related information in this document are provided only to illustrate the operation of semiconductor products and application examples. You are fully responsible for the incorporation of these circuits, software, and information in the design of your equipment. Renesas Electronics assumes no responsibility for any losses incurred by you or third parties arising from the use of these circuits, software, or information.
5. When exporting the products or technology described in this document, you should comply with the applicable export control laws and regulations and follow the procedures required by such laws and regulations. You should not use Renesas Electronics products or the technology described in this document for any purpose relating to military applications or use by the military, including but not limited to the development of weapons of mass destruction. Renesas Electronics products and technology may not be used for or incorporated into any products or systems whose manufacture, use, or sale is prohibited under any applicable domestic or foreign laws or regulations.
6. Renesas Electronics has used reasonable care in preparing the information included in this document, but Renesas Electronics does not warrant that such information is error free. Renesas Electronics assumes no liability whatsoever for any damages incurred by you resulting from errors in or omissions from the information included herein.
7. Renesas Electronics products are classified according to the following three quality grades: "Standard", "High Quality", and "Specific". The recommended applications for each Renesas Electronics product depends on the product's quality grade, as indicated below. You must check the quality grade of each Renesas Electronics product before using it in a particular application. You may not use any Renesas Electronics product for any application categorized as "Specific" without the prior written consent of Renesas Electronics. Further, you may not use any Renesas Electronics product for any application for which it is not intended without the prior written consent of Renesas Electronics. Renesas Electronics shall not be in any way liable for any damages or losses incurred by you or third parties arising from the use of any Renesas Electronics product for an application categorized as "Specific" or for which the product is not intended where you have failed to obtain the prior written consent of Renesas Electronics. The quality grade of each Renesas Electronics product is "Standard" unless otherwise expressly specified in a Renesas Electronics data sheets or data books, etc.

"Standard": Computers; office equipment; communications equipment; test and measurement equipment; audio and visual equipment; home electronic appliances; machine tools; personal electronic equipment; and industrial robots.

"High Quality": Transportation equipment (automobiles, trains, ships, etc.); traffic control systems; anti-disaster systems; anti-crime systems; safety equipment; and medical equipment not specifically designed for life support.

"Specific": Aircraft; aerospace equipment; submersible repeaters; nuclear reactor control systems; medical equipment or systems for life support (e.g. artificial life support devices or systems), surgical implantations, or healthcare intervention (e.g. excision, etc.), and any other applications or purposes that pose a direct threat to human life.

8. You should use the Renesas Electronics products described in this document within the range specified by Renesas Electronics, especially with respect to the maximum rating, operating supply voltage range, movement power voltage range, heat radiation characteristics, installation and other product characteristics. Renesas Electronics shall have no liability for malfunctions or damages arising out of the use of Renesas Electronics products beyond such specified ranges.
9. Although Renesas Electronics endeavors to improve the quality and reliability of its products, semiconductor products have specific characteristics such as the occurrence of failure at a certain rate and malfunctions under certain use conditions. Further, Renesas Electronics products are not subject to radiation resistance design. Please be sure to implement safety measures to guard them against the possibility of physical injury, and injury or damage caused by fire in the event of the failure of a Renesas Electronics product, such as safety design for hardware and software including but not limited to redundancy, fire control and malfunction prevention, appropriate treatment for aging degradation or any other appropriate measures. Because the evaluation of microcomputer software alone is very difficult, please evaluate the safety of the final products or system manufactured by you.
10. Please contact a Renesas Electronics sales office for details as to environmental matters such as the environmental compatibility of each Renesas Electronics product. Please use Renesas Electronics products in compliance with all applicable laws and regulations that regulate the inclusion or use of controlled substances, including without limitation, the EU RoHS Directive. Renesas Electronics assumes no liability for damages or losses occurring as a result of your noncompliance with applicable laws and regulations.
11. This document may not be reproduced or duplicated, in any form, in whole or in part, without prior written consent of Renesas Electronics.
12. Please contact a Renesas Electronics sales office if you have any questions regarding the information contained in this document or Renesas Electronics products, or if you have any other inquiries.

(Note 1) "Renesas Electronics" as used in this document means Renesas Electronics Corporation and also includes its majority-owned subsidiaries.

(Note 2) "Renesas Electronics product(s)" means any product developed or manufactured by or for Renesas Electronics.

The revision list can be viewed directly by clicking the title page.

The revision list summarizes the locations of revisions and additions. Details should always be checked by referring to the relevant text.

H8/3039 Group, H8/3039F-ZTAT™

Hardware Manual

Renesas 16-Bit Single-Chip Microcomputer H8 Family / H8/300H Series

| | | | |
|---------|--------------|---------|--------------|
| H8/3039 | HD64F3039F | H8/3037 | HD6433037F |
| | HD64F3039TE | | HD6433037TE |
| | HD64F3039VF | | HD6433037VF |
| | HD64F3039VTE | | HD6433037VTE |
| | HD6433039F | H8/3036 | HD6433036F |
| | HD6433039TE | | HD6433036TE |
| | HD6433039VF | | HD6433036VF |
| | HD6433039VTE | | HD6433036VTE |
| H8/3038 | HD6433038F | | |
| | HD6433038TE | | |
| | HD6433038VF | | |
| | HD6433038VTE | | |

Notes regarding these materials

1. This document is provided for reference purposes only so that Renesas customers may select the appropriate Renesas products for their use. Renesas neither makes warranties or representations with respect to the accuracy or completeness of the information contained in this document nor grants any license to any intellectual property rights or any other rights of Renesas or any third party with respect to the information in this document.
2. Renesas shall have no liability for damages or infringement of any intellectual property or other rights arising out of the use of any information in this document, including, but not limited to, product data, diagrams, charts, programs, algorithms, and application circuit examples.
3. You should not use the products or the technology described in this document for the purpose of military applications such as the development of weapons of mass destruction or for the purpose of any other military use. When exporting the products or technology described herein, you should follow the applicable export control laws and regulations, and procedures required by such laws and regulations.
4. All information included in this document such as product data, diagrams, charts, programs, algorithms, and application circuit examples, is current as of the date this document is issued. Such information, however, is subject to change without any prior notice. Before purchasing or using any Renesas products listed in this document, please confirm the latest product information with a Renesas sales office. Also, please pay regular and careful attention to additional and different information to be disclosed by Renesas such as that disclosed through our website. (<http://www.renesas.com>)
5. Renesas has used reasonable care in compiling the information included in this document, but Renesas assumes no liability whatsoever for any damages incurred as a result of errors or omissions in the information included in this document.
6. When using or otherwise relying on the information in this document, you should evaluate the information in light of the total system before deciding about the applicability of such information to the intended application. Renesas makes no representations, warranties or guaranties regarding the suitability of its products for any particular application and specifically disclaims any liability arising out of the application and use of the information in this document or Renesas products.
7. With the exception of products specified by Renesas as suitable for automobile applications, Renesas products are not designed, manufactured or tested for applications or otherwise in systems the failure or malfunction of which may cause a direct threat to human life or create a risk of human injury or which require especially high quality and reliability such as safety systems, or equipment or systems for transportation and traffic, healthcare, combustion control, aerospace and aeronautics, nuclear power, or undersea communication transmission. If you are considering the use of our products for such purposes, please contact a Renesas sales office beforehand. Renesas shall have no liability for damages arising out of the uses set forth above.
8. Notwithstanding the preceding paragraph, you should not use Renesas products for the purposes listed below:
 - (1) artificial life support devices or systems
 - (2) surgical implantations
 - (3) healthcare intervention (e.g., excision, administration of medication, etc.)
 - (4) any other purposes that pose a direct threat to human lifeRenesas shall have no liability for damages arising out of the uses set forth in the above and purchasers who elect to use Renesas products in any of the foregoing applications shall indemnify and hold harmless Renesas Technology Corp., its affiliated companies and their officers, directors, and employees against any and all damages arising out of such applications.
9. You should use the products described herein within the range specified by Renesas, especially with respect to the maximum rating, operating supply voltage range, movement power voltage range, heat radiation characteristics, installation and other product characteristics. Renesas shall have no liability for malfunctions or damages arising out of the use of Renesas products beyond such specified ranges.
10. Although Renesas endeavors to improve the quality and reliability of its products, IC products have specific characteristics such as the occurrence of failure at a certain rate and malfunctions under certain use conditions. Please be sure to implement safety measures to guard against the possibility of physical injury, and injury or damage caused by fire in the event of the failure of a Renesas product, such as safety design for hardware and software including but not limited to redundancy, fire control and malfunction prevention, appropriate treatment for aging degradation or any other applicable measures. Among others, since the evaluation of microcomputer software alone is very difficult, please evaluate the safety of the final products or system manufactured by you.
11. In case Renesas products listed in this document are detached from the products to which the Renesas products are attached or affixed, the risk of accident such as swallowing by infants and small children is very high. You should implement safety measures so that Renesas products may not be easily detached from your products. Renesas shall have no liability for damages arising out of such detachment.
12. This document may not be reproduced or duplicated, in any form, in whole or in part, without prior written approval from Renesas.
13. Please contact a Renesas sales office if you have any questions regarding the information contained in this document, Renesas semiconductor products, or if you have any other inquiries.

General Precautions in the Handling of MPU/MCU Products

The following usage notes are applicable to all MPU/MCU products from Renesas. For detailed usage notes on the products covered by this manual, refer to the relevant sections of the manual. If the descriptions under General Precautions in the Handling of MPU/MCU Products and in the body of the manual differ from each other, the description in the body of the manual takes precedence.

1. Handling of Unused Pins

Handle unused pins in accord with the directions given under Handling of Unused Pins in the manual.

— The input pins of CMOS products are generally in the high-impedance state. In operation with an unused pin in the open-circuit state, extra electromagnetic noise is induced in the vicinity of LSI, an associated shoot-through current flows internally, and malfunctions may occur due to the false recognition of the pin state as an input signal. Unused pins should be handled as described under Handling of Unused Pins in the manual.

2. Processing at Power-on

The state of the product is undefined at the moment when power is supplied.

— The states of internal circuits in the LSI are indeterminate and the states of register settings and pins are undefined at the moment when power is supplied.

In a finished product where the reset signal is applied to the external reset pin, the states of pins are not guaranteed from the moment when power is supplied until the reset process is completed.

In a similar way, the states of pins in a product that is reset by an on-chip power-on reset function are not guaranteed from the moment when power is supplied until the power reaches the level at which resetting has been specified.

3. Prohibition of Access to Reserved Addresses

Access to reserved addresses is prohibited.

— The reserved addresses are provided for the possible future expansion of functions. Do not access these addresses; the correct operation of LSI is not guaranteed if they are accessed.

4. Clock Signals

After applying a reset, only release the reset line after the operating clock signal has become stable. When switching the clock signal during program execution, wait until the target clock signal has stabilized.

— When the clock signal is generated with an external resonator (or from an external oscillator) during a reset, ensure that the reset line is only released after full stabilization of the clock signal. Moreover, when switching to a clock signal produced with an external resonator (or by an external oscillator) while program execution is in progress, wait until the target clock signal is stable.

5. Differences between Products

Before changing from one product to another, i.e. to one with a different type number, confirm that the change will not lead to problems.

— The characteristics of MPU/MCU in the same group but having different type numbers may differ because of the differences in internal memory capacity and layout pattern. When changing to products of different type numbers, implement a system-evaluation test for each of the products.

Preface

The H8/3039 Group comprises high-performance single-chip microcomputers (MCUs) that integrate system supporting functions together with an H8/300H CPU core.

The H8/300H CPU has a 32-bit internal architecture with sixteen 16-bit general registers, and a concise, optimized instruction set designed for speed. It can address a 16-Mbyte linear address space.

The on-chip system supporting functions include ROM, RAM, a 16-bit integrated timer unit (ITU), a programmable timing pattern controller (TPC), a watchdog timer (WDT), a serial communication interface (SCI), an A/D converter, I/O ports, and other facilities. Of the two SCI channels, one has been expanded to support the ISO/IEC 7816-3 smart card interface. Functions have also been added to reduce power consumption in battery-powered applications: individual modules can be placed in standby, and the frequency of the system clock supplied to the chip can be divided down under software control.

The five MCU operating modes offer a choice of expanded mode, single-chip mode, and address space size, enabling the H8/3039 Group to adapt quickly and flexibly to a variety of conditions.

In addition to its mask-ROM versions, the H8/3039 Group has an F-ZTAT™ version with user programmable on-chip flash memory that can be programmed on-board. These versions enable users to respond quickly and flexibly to changing application specifications.

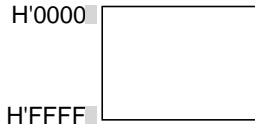
This manual describes the H8/3039 Group hardware. For details of the instruction set, refer to the H8/300H Series Software Manual.

Note: F-ZTAT is a trademark of Renesas Technology Corp.

Main Revisions for This Edition

| Item | Page | Revision (See Manual for Details) |
|------|------|---|
| All | — | <ul style="list-style-type: none"> Notification of change in company name amended (Before) Hitachi, Ltd. → (After) Renesas Technology Corp. Product naming convention amended (Before) H8/3039 Series → (After) H8/3039 Group |

2.3 Address Space 20 Figure amended
Figure 2.2 Memory Map



1. Normal mode (64-Kbyte mode)

5.2.2 Interrupt Priority Registers A and B (IPRA, IPRB) Interrupt Priority Register B (IPRB) 91

Description amended

| Bit | 7 | 6 | 5 | 4 | 3 | 2 | 1 | 0 |
|---------------|-------|-----|-----|-------|-------|-------|-----|-----|
| IPRB7 | IPRB6 | — | — | IPRB3 | IPRB2 | IPRB1 | — | — |
| Initial value | 0 | 0 | 0 | 0 | 0 | 0 | 0 | 0 |
| Read/Write | R/W | R/W | R/W | R/W | R/W | R/W | R/W | R/W |

5.2.3 IRQ Status Register (ISR) 93

Description amended

Bits 5, 4, 1 and 0—IRQ₅, IRQ₄, IRQ₁ and IRQ₀ Flags (IRQ5F, IRQ4F, IRQ1F, and IRQ0F): These bits indicate the status of IRQ₅, IRQ₄, IRQ₁, and IRQ₀ interrupt requests.

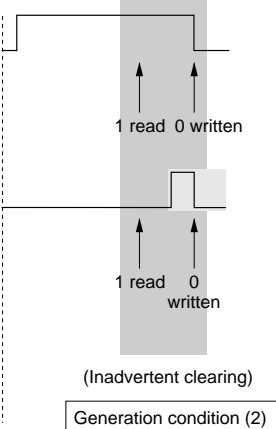
5.2.4 IRQ Enable Register (IER) 94

Description amended

| Bit | 7 | 6 |
|---------------|-----|-----|
| Initial value | 0 | 0 |
| Read/Write | R/W | R/W |

Reserved bits

Bits 5, 4, 1, and 0—IRQ₅, IRQ₄, IRQ₁, and IRQ₀ Enable (IRQ5E, IRQ4E, IRQ1E, IRQ0E): These bits enable or disable IRQ₅, IRQ₄, IRQ₁, and IRQ₀ interrupts.

| Item | Page | Revision (See Manual for Details) | | | | | | | | | | | | | | |
|--|--------------|---|-------------------|--------------|--|--|----|--|--|---|---|-----------|-----|---|----|------|
| 5.3.3 Interrupt Vector Table Table 5.3 Interrupt Sources, Vector Addresses, and Priority | 98 | Table amended WOVI (interval timer) | | | | | | | | | | | | | | |
| 5.5.4 Usage Notes Figure 5.9 IRQnF Flag when Interrupt Exception Handling is not Executed | 109 | Figure amended  | | | | | | | | | | | | | | |
| 6.4.2 Precautions on Setting ASTCR and ABWCR* | 131 | Description amended Modes 5 and 7 ASTCR0 = 0 ABWCR = H'FC | | | | | | | | | | | | | | |
| 11.2.8 Bit Rate Register (BRR) | 349 | Description added The baud rate generator is controlled separately for the individual channels, so different values may be set for each. | | | | | | | | | | | | | | |
| Table 11.3 Examples of Bit Rates and BRR Settings in Asynchronous Mode | 351 | Table amended <table border="1" data-bbox="443 1050 752 1220"> <thead> <tr> <th rowspan="3">Bit Rate (bits/s)</th> <th colspan="3">ϕ (MHz)</th> </tr> <tr> <th colspan="3">12</th> </tr> <tr> <th>n</th> <th>N</th> <th>Error (%)</th> </tr> </thead> <tbody> <tr> <td>300</td> <td>2</td> <td>77</td> <td>0.16</td> </tr> </tbody> </table> | Bit Rate (bits/s) | ϕ (MHz) | | | 12 | | | n | N | Error (%) | 300 | 2 | 77 | 0.16 |
| Bit Rate (bits/s) | ϕ (MHz) | | | | | | | | | | | | | | | |
| | 12 | | | | | | | | | | | | | | | |
| | n | N | Error (%) | | | | | | | | | | | | | |
| 300 | 2 | 77 | 0.16 | | | | | | | | | | | | | |
| 11.3.4 Synchronous Operation Clock | 376 | Description amended An internal clock generated by the on-chip baud rate generator or an external clock input from the SCK pin can be selected by clearing or setting the CKE1 and CKE0 bits in SCR and the C/A bit in SMR. See table 11.9. | | | | | | | | | | | | | | |

| Item | Page | Revision (See Manual for Details) |
|---|------|-----------------------------------|
| 16.2.1 Connecting a Crystal Resonator | 500 | Preliminary deleted |
| Table 16.2 Crystal Resonator Parameters | | |

| Item | Symbol | Condition A | | Condition B | | Condition C | | Unit | Test Conditions |
|--|------------|-------------|-----|-------------|-----|-------------|-----|------|-----------------|
| | | 8 MHz | | 10 MHz | | 18 MHz | | | |
| | | Min | Max | Min | Max | Min | Max | | |
| RES setup time | t_{RES} | 200 | — | 200 | — | 200 | — | ns | Figure 18.10 |
| RES pulse width | t_{RESW} | 10 | — | 10 | — | 10 | — | tcyc | |
| Mode programming setup time (MD ₀ , MD ₁ , MD ₂) | t_{MDS} | 200 | — | 200 | — | 200 | — | ns | |

| | | |
|---------------------------------------|-----|-------------|
| 18.1.4 A/D Conversion Characteristics | 535 | Newly added |
|---------------------------------------|-----|-------------|

| | | |
|---|-----|--|
| 18.2.2 DC Characteristics | 541 | Table amended |
| Table 18.10 Permissible Output Currents | | <p>Item</p> <p>Permissible output low current (total)</p> <p>Total of 27 pins including ports 1, 2, 5 and B</p> |

| A.1 Instruction List | 576 | Table amended | | | | | | |
|--------------------------------|--------------|--|----------|--------------|-----------|---------|---|--|
| 8. Block transfer instructions | | <table border="1"> <thead> <tr> <th>Mnemonic</th> <th>Operand Size</th> <th>Operation</th> </tr> </thead> <tbody> <tr> <td>EEMOV.W</td> <td>—</td> <td>if R4 ≠ 0 then repeat @R5 → @R6 R5+1 → R5 R6+1 → R6 R4-1 → R4 until R4=0 else next</td> </tr> </tbody> </table> | Mnemonic | Operand Size | Operation | EEMOV.W | — | if R4 ≠ 0 then repeat @R5 → @R6 R5+1 → R5 R6+1 → R6 R4-1 → R4 until R4=0 else next |
| Mnemonic | Operand Size | Operation | | | | | | |
| EEMOV.W | — | if R4 ≠ 0 then repeat @R5 → @R6 R5+1 → R5 R6+1 → R6 R4-1 → R4 until R4=0 else next | | | | | | |

| A.3 Number of States Required for Execution | 584 | Table amended | | | | | | | | | | |
|---|----------|--|----------------------|----------|------------------|----------------------|-----|----------|--------|---|----------|---|
| Table A.4 Number of Cycles per Instruction | | <table border="1"> <thead> <tr> <th>Instruction</th> <th>Mnemonic</th> <th>Word Data Access</th> <th>Internal Operation N</th> </tr> </thead> <tbody> <tr> <td rowspan="2">BSR</td> <td rowspan="2">BSR d:16</td> <td>Normal</td> <td>2</td> </tr> <tr> <td>Advanced</td> <td>2</td> </tr> </tbody> </table> | Instruction | Mnemonic | Word Data Access | Internal Operation N | BSR | BSR d:16 | Normal | 2 | Advanced | 2 |
| Instruction | Mnemonic | Word Data Access | Internal Operation N | | | | | | | | | |
| BSR | BSR d:16 | Normal | 2 | | | | | | | | | |
| | | Advanced | 2 | | | | | | | | | |

All trademarks and registered trademarks are the property of their respective owners.

Contents

| | | |
|-----------|--|----|
| Section 1 | Overview | 1 |
| 1.1 | Overview | 1 |
| 1.2 | Block Diagram | 6 |
| 1.3 | Pin Description..... | 7 |
| 1.3.1 | Pin Arrangement..... | 7 |
| 1.3.2 | Pin Functions | 8 |
| 1.4 | Pin Functions | 12 |
| Section 2 | CPU | 17 |
| 2.1 | Overview..... | 17 |
| 2.1.1 | Features..... | 17 |
| 2.1.2 | Differences from H8/300 CPU..... | 18 |
| 2.2 | CPU Operating Modes | 19 |
| 2.3 | Address Space..... | 20 |
| 2.4 | Register Configuration | 21 |
| 2.4.1 | Overview..... | 21 |
| 2.4.2 | General Registers | 22 |
| 2.4.3 | Control Registers | 23 |
| 2.4.4 | Initial CPU Register Values..... | 24 |
| 2.5 | Data Formats..... | 25 |
| 2.5.1 | General Register Data Formats | 25 |
| 2.5.2 | Memory Data Formats | 27 |
| 2.6 | Instruction Set | 28 |
| 2.6.1 | Instruction Set Overview | 28 |
| 2.6.2 | Instructions and Addressing Modes..... | 29 |
| 2.6.3 | Tables of Instructions Classified by Function..... | 31 |
| 2.6.4 | Basic Instruction Formats | 40 |
| 2.6.5 | Notes on Use of Bit Manipulation Instructions..... | 41 |
| 2.7 | Addressing Modes and Effective Address Calculation | 41 |
| 2.7.1 | Addressing Modes | 41 |
| 2.7.2 | Effective Address Calculation | 45 |
| 2.8 | Processing States..... | 49 |
| 2.8.1 | Overview..... | 49 |
| 2.8.2 | Program Execution State..... | 49 |
| 2.8.3 | Exception-Handling State | 50 |
| 2.8.4 | Exception-Handling Sequences | 51 |
| 2.8.5 | Reset State..... | 53 |

| | | |
|---|---|-----------|
| 2.8.6 | Power-Down State | 53 |
| 2.9 | Basic Operational Timing | 54 |
| 2.9.1 | Overview..... | 54 |
| 2.9.2 | On-Chip Memory Access Timing..... | 54 |
| 2.9.3 | On-Chip Supporting Module Access Timing | 55 |
| 2.9.4 | Access to External Address Space | 56 |
| Section 3 MCU Operating Modes | | 57 |
| 3.1 | Overview..... | 57 |
| 3.1.1 | Operating Mode Selection | 57 |
| 3.1.2 | Register Configuration..... | 58 |
| 3.2 | Mode Control Register (MDCR) | 59 |
| 3.3 | System Control Register (SYSCR) | 60 |
| 3.4 | Operating Mode Descriptions | 62 |
| 3.4.1 | Mode 1 | 62 |
| 3.4.2 | Mode 3 | 62 |
| 3.4.3 | Mode 5 | 62 |
| 3.4.4 | Mode 6 | 62 |
| 3.4.5 | Mode 7 | 62 |
| 3.5 | Pin Functions in Each Operating Mode | 63 |
| 3.6 | Memory Map in Each Operating Mode | 63 |
| 3.7 | Restrictions on Use of Mode 6..... | 72 |
| Section 4 Exception Handling | | 75 |
| 4.1 | Overview..... | 75 |
| 4.1.1 | Exception Handling Types and Priority..... | 75 |
| 4.1.2 | Exception Handling Operation | 75 |
| 4.1.3 | Exception Vector Table | 76 |
| 4.2 | Reset..... | 78 |
| 4.2.1 | Overview..... | 78 |
| 4.2.2 | Reset Sequence | 78 |
| 4.2.3 | Interrupts after Reset..... | 80 |
| 4.3 | Interrupts..... | 80 |
| 4.4 | Trap Instruction..... | 81 |
| 4.5 | Stack Status after Exception Handling..... | 81 |
| 4.6 | Notes on Stack Usage | 82 |
| Section 5 Interrupt Controller | | 83 |
| 5.1 | Overview..... | 83 |
| 5.1.1 | Features..... | 83 |
| 5.1.2 | Block Diagram..... | 84 |

| | | |
|-------------------------------|--|-----|
| 5.1.3 | Pin Configuration..... | 85 |
| 5.1.4 | Register Configuration..... | 85 |
| 5.2 | Register Descriptions | 86 |
| 5.2.1 | System Control Register (SYSCR) | 86 |
| 5.2.2 | Interrupt Priority Registers A and B (IPRA, IPRB) | 88 |
| 5.2.3 | IRQ Status Register (ISR)..... | 93 |
| 5.2.4 | IRQ Enable Register (IER) | 94 |
| 5.2.5 | IRQ Sense Control Register (ISCR) | 95 |
| 5.3 | Interrupt Sources | 96 |
| 5.3.1 | External Interrupts | 96 |
| 5.3.2 | Internal Interrupts..... | 97 |
| 5.3.3 | Interrupt Vector Table..... | 97 |
| 5.4 | Interrupt Operation..... | 100 |
| 5.4.1 | Interrupt Handling Process..... | 100 |
| 5.4.2 | Interrupt Sequence | 105 |
| 5.4.3 | Interrupt Response Time | 106 |
| 5.5 | Usage Notes | 107 |
| 5.5.1 | Contention between Interrupt and Interrupt-Disabling Instruction | 107 |
| 5.5.2 | Instructions that Inhibit Interrupts..... | 108 |
| 5.5.3 | Interrupts during EEPMOV Instruction Execution | 108 |
| 5.5.4 | Usage Notes | 108 |
| Section 6 Bus Controller..... | | 111 |
| 6.1 | Overview | 111 |
| 6.1.1 | Features | 111 |
| 6.1.2 | Block Diagram | 112 |
| 6.1.3 | Input/Output Pins | 113 |
| 6.1.4 | Register Configuration..... | 113 |
| 6.2 | Register Descriptions | 114 |
| 6.2.1 | Access State Control Register (ASTCR) | 114 |
| 6.2.2 | Wait Control Register (WCR)..... | 115 |
| 6.2.3 | Wait State Controller Enable Register (WCER) | 116 |
| 6.2.4 | Address Control Register (ADRCR)..... | 117 |
| 6.3 | Operation..... | 119 |
| 6.3.1 | Area Division | 119 |
| 6.3.2 | Bus Control Signal Timing | 121 |
| 6.3.3 | Wait Modes..... | 123 |
| 6.3.4 | Interconnections with Memory (Example) | 129 |
| 6.4 | Usage Notes | 131 |
| 6.4.1 | Register Write Timing | 131 |
| 6.4.2 | Precautions on Setting ASTCR and ABWCR..... | 131 |

| | | |
|-----------|----------------------------------|-----|
| Section 7 | I/O Ports | 133 |
| 7.1 | Overview..... | 133 |
| 7.2 | Port 1..... | 137 |
| 7.2.1 | Overview..... | 137 |
| 7.2.2 | Register Descriptions | 138 |
| 7.2.3 | Pin Functions in Each Mode | 140 |
| 7.3 | Port 2..... | 142 |
| 7.3.1 | Overview..... | 142 |
| 7.3.2 | Register Descriptions | 143 |
| 7.3.3 | Pin Functions in Each Mode | 145 |
| 7.3.4 | Input Pull-Up Transistors..... | 147 |
| 7.4 | Port 3..... | 148 |
| 7.4.1 | Overview..... | 148 |
| 7.4.2 | Register Descriptions | 148 |
| 7.4.3 | Pin Functions in Each Mode | 150 |
| 7.5 | Port 5..... | 152 |
| 7.5.1 | Overview..... | 152 |
| 7.5.2 | Register Descriptions | 153 |
| 7.5.3 | Pin Functions in Each Mode | 155 |
| 7.5.4 | Input Pull-Up Transistors..... | 156 |
| 7.6 | Port 6..... | 157 |
| 7.6.1 | Overview..... | 157 |
| 7.6.2 | Register Descriptions | 158 |
| 7.6.3 | Pin Functions in Each Mode | 160 |
| 7.7 | Port 7..... | 163 |
| 7.7.1 | Overview..... | 163 |
| 7.7.2 | Register Description..... | 163 |
| 7.8 | Port 8..... | 164 |
| 7.8.1 | Overview..... | 164 |
| 7.8.2 | Register Descriptions | 165 |
| 7.8.3 | Pin Functions | 167 |
| 7.9 | Port 9..... | 168 |
| 7.9.1 | Overview..... | 168 |
| 7.9.2 | Register Descriptions | 168 |
| 7.9.3 | Pin Functions | 170 |
| 7.10 | Port A..... | 172 |
| 7.10.1 | Overview..... | 172 |
| 7.10.2 | Register Descriptions | 173 |
| 7.10.3 | Pin Functions | 175 |
| 7.11 | Port B..... | 182 |
| 7.11.1 | Overview..... | 182 |

| | | |
|---|--|------------|
| 7.11.2 | Register Descriptions | 182 |
| 7.11.3 | Pin Functions | 184 |
| Section 8 16-Bit Integrated Timer Unit (ITU) | | 191 |
| 8.1 | Overview | 191 |
| 8.1.1 | Features | 191 |
| 8.1.2 | Block Diagrams | 194 |
| 8.1.3 | Input/Output Pins | 199 |
| 8.1.4 | Register Configuration | 201 |
| 8.2 | Register Descriptions | 204 |
| 8.2.1 | Timer Start Register (TSTR)..... | 204 |
| 8.2.2 | Timer Synchro Register (TSNC) | 206 |
| 8.2.3 | Timer Mode Register (TMDR) | 208 |
| 8.2.4 | Timer Function Control Register (TFCR)..... | 211 |
| 8.2.5 | Timer Output Master Enable Register (TOER) | 214 |
| 8.2.6 | Timer Output Control Register (TOCR) | 216 |
| 8.2.7 | Timer Counters (TCNT) | 218 |
| 8.2.8 | General Registers (GRA, GRB)..... | 219 |
| 8.2.9 | Buffer Registers (BRA, BRB)..... | 220 |
| 8.2.10 | Timer Control Registers (TCR) | 221 |
| 8.2.11 | Timer I/O Control Register (TIOR) | 223 |
| 8.2.12 | Timer Status Register (TSR)..... | 225 |
| 8.2.13 | Timer Interrupt Enable Register (TIER) | 227 |
| 8.3 | CPU Interface..... | 228 |
| 8.3.1 | 16-Bit Accessible Registers | 228 |
| 8.3.2 | 8-Bit Accessible Registers | 231 |
| 8.4 | Operation..... | 232 |
| 8.4.1 | Overview | 232 |
| 8.4.2 | Basic Functions | 234 |
| 8.4.3 | Synchronization | 243 |
| 8.4.4 | PWM Mode..... | 245 |
| 8.4.5 | Reset-Synchronized PWM Mode..... | 249 |
| 8.4.6 | Complementary PWM Mode | 252 |
| 8.4.7 | Phase Counting Mode | 261 |
| 8.4.8 | Buffering | 263 |
| 8.4.9 | ITU Output Timing | 269 |
| 8.5 | Interrupts | 272 |
| 8.5.1 | Setting of Status Flags..... | 272 |
| 8.5.2 | Clearing of Status Flags | 274 |
| 8.5.3 | Interrupt Sources | 275 |
| 8.6 | Usage Notes | 276 |

| | | |
|------------|---|-----|
| Section 9 | Programmable Timing Pattern Controller | 291 |
| 9.1 | Overview | 291 |
| 9.1.1 | Features | 291 |
| 9.1.2 | Block Diagram | 292 |
| 9.1.3 | TPC Pins | 293 |
| 9.1.4 | Registers | 294 |
| 9.2 | Register Descriptions | 295 |
| 9.2.1 | Port A Data Direction Register (PADDDR) | 295 |
| 9.2.2 | Port A Data Register (PADR) | 295 |
| 9.2.3 | Port B Data Direction Register (PBDDR) | 296 |
| 9.2.4 | Port B Data Register (PBDR) | 296 |
| 9.2.5 | Next Data Register A (NDRA) | 297 |
| 9.2.6 | Next Data Register B (NDRB) | 299 |
| 9.2.7 | Next Data Enable Register A (NDERA) | 301 |
| 9.2.8 | Next Data Enable Register B (NDERB) | 302 |
| 9.2.9 | TPC Output Control Register (TPCR) | 303 |
| 9.2.10 | TPC Output Mode Register (TPMR) | 306 |
| 9.3 | Operation | 308 |
| 9.3.1 | Overview | 308 |
| 9.3.2 | Output Timing | 309 |
| 9.3.3 | Normal TPC Output | 310 |
| 9.3.4 | Non-Overlapping TPC Output | 312 |
| 9.3.5 | TPC Output Triggering by Input Capture | 314 |
| 9.4 | Usage Notes | 315 |
| 9.4.1 | Operation of TPC Output Pins | 315 |
| 9.4.2 | Note on Non-Overlapping Output | 315 |
| Section 10 | Watchdog Timer | 317 |
| 10.1 | Overview | 317 |
| 10.1.1 | Features | 317 |
| 10.1.2 | Block Diagram | 318 |
| 10.1.3 | Pin Configuration | 318 |
| 10.1.4 | Register Configuration | 319 |
| 10.2 | Register Descriptions | 319 |
| 10.2.1 | Timer Counter (TCNT) | 319 |
| 10.2.2 | Timer Control/Status Register (TCSR) | 320 |
| 10.2.3 | Reset Control/Status Register (RSTCSR) | 322 |
| 10.2.4 | Notes on Register Access | 324 |
| 10.3 | Operation | 326 |
| 10.3.1 | Watchdog Timer Operation | 326 |
| 10.3.2 | Interval Timer Operation | 327 |

| | | |
|--|---|------------|
| 10.3.3 | Timing of Setting of Overflow Flag (OVF) | 328 |
| 10.3.4 | Timing of Setting of Watchdog Timer Reset Bit (WRST)..... | 329 |
| 10.4 | Interrupts | 329 |
| 10.5 | Usage Notes | 330 |
| Section 11 Serial Communication Interface | | 331 |
| 11.1 | Overview | 331 |
| 11.1.1 | Features | 331 |
| 11.1.2 | Block Diagram | 333 |
| 11.1.3 | Input/Output Pins | 334 |
| 11.1.4 | Register Configuration..... | 335 |
| 11.2 | Register Descriptions | 336 |
| 11.2.1 | Receive Shift Register (RSR)..... | 336 |
| 11.2.2 | Receive Data Register (RDR) | 336 |
| 11.2.3 | Transmit Shift Register (TSR) | 337 |
| 11.2.4 | Transmit Data Register (TDR)..... | 337 |
| 11.2.5 | Serial Mode Register (SMR)..... | 338 |
| 11.2.6 | Serial Control Register (SCR)..... | 341 |
| 11.2.7 | Serial Status Register (SSR)..... | 345 |
| 11.2.8 | Bit Rate Register (BRR) | 349 |
| 11.3 | Operation..... | 358 |
| 11.3.1 | Overview | 358 |
| 11.3.2 | Operation in Asynchronous Mode | 360 |
| 11.3.3 | Multiprocessor Communication..... | 369 |
| 11.3.4 | Synchronous Operation..... | 376 |
| 11.4 | SCI Interrupts | 384 |
| 11.5 | Usage Notes | 385 |
| Section 12 Smart Card Interface | | 391 |
| 12.1 | Overview | 391 |
| 12.1.1 | Features | 391 |
| 12.1.2 | Block Diagram | 392 |
| 12.1.3 | Pin Configuration..... | 393 |
| 12.1.4 | Register Configuration..... | 393 |
| 12.2 | Register Descriptions | 394 |
| 12.2.1 | Smart Card Mode Register (SCMR) | 394 |
| 12.2.2 | Serial Status Register (SSR)..... | 396 |
| 12.3 | Operation..... | 397 |
| 12.3.1 | Overview | 397 |
| 12.3.2 | Pin Connections | 398 |
| 12.3.3 | Data Format | 399 |

| | | |
|--------------------------------------|---|------------|
| 12.3.4 | Register Settings | 401 |
| 12.3.5 | Clock..... | 403 |
| 12.3.6 | Data Transfer Operations..... | 405 |
| 12.4 | Usage Note..... | 411 |
| Section 13 A/D Converter..... | | 415 |
| 13.1 | Overview..... | 415 |
| 13.1.1 | Features..... | 415 |
| 13.1.2 | Block Diagram..... | 416 |
| 13.1.3 | Input Pins..... | 417 |
| 13.1.4 | Register Configuration..... | 418 |
| 13.2 | Register Descriptions..... | 419 |
| 13.2.1 | A/D Data Registers A to D (ADDRA to ADDR D) | 419 |
| 13.2.2 | A/D Control/Status Register (ADCSR) | 420 |
| 13.2.3 | A/D Control Register (ADCR) | 422 |
| 13.3 | CPU Interface..... | 423 |
| 13.4 | Operation | 424 |
| 13.4.1 | Single Mode (SCAN = 0) | 424 |
| 13.4.2 | Scan Mode (SCAN = 1)..... | 426 |
| 13.4.3 | Input Sampling and A/D Conversion Time | 428 |
| 13.4.4 | External Trigger Input Timing..... | 429 |
| 13.5 | Interrupts..... | 430 |
| 13.6 | Usage Notes | 430 |
| Section 14 RAM | | 435 |
| 14.1 | Overview..... | 435 |
| 14.1.1 | Block Diagram..... | 436 |
| 14.1.2 | Register Configuration..... | 436 |
| 14.2 | System Control Register (SYSCR) | 437 |
| 14.3 | Operation | 438 |
| Section 15 ROM | | 439 |
| 15.1 | Overview..... | 439 |
| 15.2 | Overview of Flash Memory | 440 |
| 15.2.1 | Features..... | 440 |
| 15.2.2 | Block Diagram..... | 441 |
| 15.2.3 | Pin Configuration..... | 442 |
| 15.2.4 | Register Configuration..... | 442 |
| 15.3 | Register Descriptions..... | 443 |
| 15.3.1 | Flash Memory Control Register (FLMCR)..... | 443 |
| 15.3.2 | Erase Block Register (EBR) | 447 |

| | | |
|---|---|------------|
| 15.3.3 | RAM Control Register (RAMCR) | 449 |
| 15.3.4 | Flash Memory Status Register (FLMSR)..... | 451 |
| 15.4 | On-Board Programming Modes | 452 |
| 15.4.1 | Boot Mode | 455 |
| 15.4.2 | User Program Mode..... | 460 |
| 15.5 | Programming/Erasing Flash Memory | 462 |
| 15.5.1 | Program Mode | 463 |
| 15.5.2 | Program-Verify Mode..... | 464 |
| 15.5.3 | Erase Mode | 466 |
| 15.5.4 | Erase-Verify Mode..... | 466 |
| 15.6 | Flash Memory Protection..... | 468 |
| 15.6.1 | Hardware Protection | 468 |
| 15.6.2 | Software Protection..... | 470 |
| 15.6.3 | Error Protection..... | 471 |
| 15.6.4 | NMI Input Disable Conditions..... | 473 |
| 15.7 | Flash Memory Emulation by RAM..... | 474 |
| 15.8 | Flash Memory PROM Mode..... | 475 |
| 15.8.1 | PROM Mode Setting..... | 475 |
| 15.8.2 | Memory Map | 476 |
| 15.8.3 | PROM Mode Operation | 476 |
| 15.8.4 | Memory Read Mode | 479 |
| 15.8.5 | Auto-Program Mode | 482 |
| 15.8.6 | Auto-Erase Mode | 484 |
| 15.8.7 | Status Read Mode | 485 |
| 15.8.8 | PROM Mode Transition Time | 487 |
| 15.8.9 | Notes on Memory Programming..... | 488 |
| 15.9 | Notes on Flash Memory Programming/Erasing | 488 |
| 15.10 | Mask ROM Overview | 494 |
| 15.10.1 | Block Diagram..... | 494 |
| 15.11 | Notes on Ordering Mask ROM Version Chip..... | 495 |
| Section 16 Clock Pulse Generator | | 497 |
| 16.1 | Overview..... | 497 |
| 16.1.1 | Block Diagram..... | 498 |
| 16.2 | Oscillator Circuit..... | 498 |
| 16.2.1 | Connecting a Crystal Resonator..... | 499 |
| 16.2.2 | External Clock Input..... | 501 |
| 16.3 | Duty Adjustment Circuit..... | 504 |
| 16.4 | Prescalers | 504 |
| 16.5 | Frequency Divider..... | 504 |
| 16.5.1 | Register Configuration..... | 504 |

| | | |
|-------------------|---|------------|
| 16.5.2 | Division Control Register (DIVCR) | 505 |
| 16.5.3 | Usage Notes | 506 |
| | | |
| Section 17 | Power-Down State | 507 |
| 17.1 | Overview..... | 507 |
| 17.2 | Register Configuration..... | 509 |
| 17.2.1 | System Control Register (SYSCR)..... | 509 |
| 17.2.2 | Module Standby Control Register (MSTCR) | 511 |
| 17.3 | Sleep Mode | 513 |
| 17.3.1 | Transition to Sleep Mode..... | 513 |
| 17.3.2 | Exit from Sleep Mode..... | 513 |
| 17.4 | Software Standby Mode..... | 514 |
| 17.4.1 | Transition to Software Standby Mode | 514 |
| 17.4.2 | Exit from Software Standby Mode | 514 |
| 17.4.3 | Selection of Oscillator Waiting Time after Exit from Software Standby Mode .. | 515 |
| 17.4.4 | Sample Application of Software Standby Mode..... | 516 |
| 17.4.5 | Usage Note..... | 516 |
| 17.5 | Hardware Standby Mode | 517 |
| 17.5.1 | Transition to Hardware Standby Mode..... | 517 |
| 17.5.2 | Exit from Hardware Standby Mode | 517 |
| 17.5.3 | Timing for Hardware Standby Mode | 518 |
| 17.6 | Module Standby Function..... | 519 |
| 17.6.1 | Module Standby Timing | 519 |
| 17.6.2 | Read/Write in Module Standby | 519 |
| 17.6.3 | Usage Notes | 519 |
| 17.7 | System Clock Output Disabling Function..... | 520 |
| | | |
| Section 18 | Electrical Characteristics..... | 521 |
| 18.1 | Electrical Characteristics of Mask ROM Version..... | 521 |
| 18.1.1 | Absolute Maximum Ratings | 521 |
| 18.1.2 | DC Characteristics | 522 |
| 18.1.3 | AC Characteristics | 530 |
| 18.1.4 | A/D Conversion Characteristics..... | 535 |
| 18.2 | Electrical Characteristics of Flash Memory Version | 536 |
| 18.2.1 | Absolute Maximum Ratings | 536 |
| 18.2.2 | DC Characteristics | 537 |
| 18.2.3 | AC Characteristics | 543 |
| 18.2.4 | A/D Conversion Characteristics..... | 548 |
| 18.2.5 | Flash Memory Characteristics | 549 |
| 18.3 | Operational Timing | 552 |
| 18.3.1 | Bus Timing | 552 |

| | | |
|------------|---|-----|
| 18.3.2 | Control Signal Timing | 556 |
| 18.3.3 | Clock Timing | 558 |
| 18.3.4 | TPC and I/O Port Timing..... | 558 |
| 18.3.5 | ITU Timing..... | 559 |
| 18.3.6 | SCI Input/Output Timing..... | 560 |
| | | |
| Appendix A | Instruction Set..... | 561 |
| A.1 | Instruction List..... | 561 |
| A.2 | Operation Code Maps | 577 |
| A.3 | Number of States Required for Execution | 580 |
| | | |
| Appendix B | Internal I/O Register Field..... | 590 |
| B.1 | Addresses | 590 |
| B.2 | Function | 597 |
| | | |
| Appendix C | I/O Block Diagrams..... | 655 |
| C.1 | Port 1 Block Diagram | 655 |
| C.2 | Port 2 Block Diagram | 656 |
| C.3 | Port 3 Block Diagram | 657 |
| C.4 | Port 5 Block Diagram | 658 |
| C.5 | Port 6 Block Diagram | 659 |
| C.6 | Port 7 Block Diagram | 661 |
| C.7 | Port 8 Block Diagram | 662 |
| C.8 | Port 9 Block Diagram | 664 |
| C.9 | Port A Block Diagram..... | 668 |
| C.10 | Port B Block Diagram..... | 671 |
| | | |
| Appendix D | Pin States | 674 |
| D.1 | Port States in Each Mode..... | 674 |
| D.2 | Pin States at Reset | 676 |
| | | |
| Appendix E | Timing of Transition to and Recovery from Hardware Standby Mode..... | 679 |
| | | |
| Appendix F | Product Lineup | 680 |
| | | |
| Appendix G | Package Dimensions | 681 |

Section 1 Overview

1.1 Overview

The H8/3039 Group comprises microcomputers (MCUs) that integrate system supporting functions together with an H8/300H CPU core featuring an original Renesas Technology architecture.

The H8/300H CPU has a 32-bit internal architecture with sixteen 16-bit general registers, and a concise, optimized instruction set designed for speed. It can address a 16-Mbyte linear address space. Its instruction set is upward-compatible at the object-code level with the H8/300 CPU, enabling easy porting of software from the H8/300 Series.

The on-chip system supporting functions include ROM, RAM, a 16-bit integrated timer unit (ITU), a programmable timing pattern controller (TPC), a watchdog timer (WDT), a serial communication interface (SCI), an A/D converter, I/O ports, and other facilities.

The H8/3039 Group consists of four models: the H8/3039 with 128 kbytes of ROM and 4 kbytes of RAM, the H8/3038 with 64 kbytes of ROM and 2 kbytes of RAM, the H8/3037 with 32 kbytes of ROM and 1 kbytes of RAM, and the H8/3036 with 16 kbytes of ROM and 512 bytes of RAM.

The five MCU operating modes offer a choice of expanded mode, single-chip mode and address space size.

In addition to the mask-ROM version of the H8/3039 Group, an F-ZTAT™ version with an on-chip flash memory that can be freely programmed and reprogrammed by the user after the board is installed is also available. This version enables users to respond quickly and flexibly to changing application specifications, growing production volumes, and other conditions.

Table 1.1 summarizes the features of the H8/3039 Group.

Note: F-ZTAT is a trademark of Renesas Technology Corp.

Table 1.1 Features

| Feature | Description |
|----------------|---|
| CPU | <p>Upward-compatible with the H8/300 CPU at the object-code level</p> <p>General-register machine</p> <ul style="list-style-type: none">• Sixteen 16-bit general registers (also useable as sixteen 8-bit registers or eight 32-bit registers) <p>High-speed operation</p> <ul style="list-style-type: none">• Maximum clock rate: 18 MHz• Add/subtract: 111 ns• Multiply/divide: 778 ns <p>Two CPU operating modes</p> <ul style="list-style-type: none">• Normal mode (64-kbyte address space)• Advanced mode (16-Mbyte address space) <p>Instruction features</p> <ul style="list-style-type: none">• 8/16/32-bit data transfer, arithmetic, and logic instructions• Signed and unsigned multiply instructions (8 bits \times 8 bits, 16 bits \times 16 bits)• Signed and unsigned divide instructions (16 bits \div 8 bits, 32 bits \div 16 bits)• Bit accumulator function• Bit manipulation instructions with register-indirect specification of bit positions |

| Feature | Description |
|------------------------------------|---|
| Memory | <p>H8/3039</p> <ul style="list-style-type: none"> • ROM: 128 kbytes • RAM: 4 kbytes <p>H8/3038</p> <ul style="list-style-type: none"> • ROM: 64 kbytes • RAM: 2 kbytes <p>H8/3037</p> <ul style="list-style-type: none"> • ROM: 32 kbytes • RAM: 1 kbyte <p>H8/3036</p> <ul style="list-style-type: none"> • ROM: 16 kbytes • RAM: 512 bytes |
| Interrupt controller | <ul style="list-style-type: none"> • Five external interrupt pins: NMI, \overline{IRQ}_0, \overline{IRQ}_1, \overline{IRQ}_4, \overline{IRQ}_5 • 25 internal interrupts • Three selectable interrupt priority levels |
| Bus controller | <ul style="list-style-type: none"> • Address space can be partitioned into eight areas, with independent bus specifications in each area • Two-state or three-state access selectable for each area • Selection of four wait modes |
| 16-bit integrated timer unit (ITU) | <ul style="list-style-type: none"> • Five 16-bit timer channels, capable of processing up to 12 pulse outputs or 10 pulse inputs • 16-bit timer counter (channels 0 to 4) • Two multiplexed output compare/input capture pins (channels 0 to 4) • Operation can be synchronized (channels 0 to 4) • PWM mode available (channels 0 to 4) • Phase counting mode available (channel 2) • Buffering available (channels 3 and 4) • Reset-synchronized PWM mode available (channels 3 and 4) • Complementary PWM mode available (channels 3 and 4) |

| Feature | Description | | | | | | | | | | | | | | | | | | | | | | | | |
|--|--|-------------------|---------------|--------------|-----------|--------|---------|-------------------|--------|--------|-----------|-------------------|--------|--------|---------|-------------------|--------|--------|-----------|---|---|--------|---------|---|---|
| Programmable timing pattern controller (TPC) | <ul style="list-style-type: none"> Maximum 15-bit pulse output, using ITU as time base Up to three 4-bit pulse output groups and one 3-bit pulse output group (or one 15-bit group, one 8-bit group, or one 7-bit group) Non-overlap mode available | | | | | | | | | | | | | | | | | | | | | | | | |
| Watchdog timer (WDT), 1 channel | <ul style="list-style-type: none"> Reset signal can be generated by overflow Reset signal can be output externally (However, not available with the F-ZTAT version.) Usable as an interval timer | | | | | | | | | | | | | | | | | | | | | | | | |
| Serial communication interface (SCI), 2 channels | <ul style="list-style-type: none"> Selection of asynchronous or synchronous mode Full duplex: can transmit and receive simultaneously On-chip baud-rate generator Smart card interface functions added (SCI0 only) | | | | | | | | | | | | | | | | | | | | | | | | |
| A/D converter | <ul style="list-style-type: none"> Resolution: 10 bits Eight channels, with selection of single or scan mode Variable analog conversion voltage range Sample-and-hold function Can be externally triggered | | | | | | | | | | | | | | | | | | | | | | | | |
| I/O ports | <ul style="list-style-type: none"> 55 input/output pins 8 input-only pins | | | | | | | | | | | | | | | | | | | | | | | | |
| Operating modes | <p>Five MCU operating modes</p> <table border="1"> <thead> <tr> <th>Mode</th> <th>Address Space</th> <th>Address Pins</th> <th>Bus Width</th> </tr> </thead> <tbody> <tr> <td>Mode 1</td> <td>1 Mbyte</td> <td>A_0 to A_{19}</td> <td>8 bits</td> </tr> <tr> <td>Mode 3</td> <td>16 Mbytes</td> <td>A_{23} to A_0</td> <td>8 bits</td> </tr> <tr> <td>Mode 5</td> <td>1 Mbyte</td> <td>A_0 to A_{19}</td> <td>8 bits</td> </tr> <tr> <td>Mode 6</td> <td>64 kbytes</td> <td>—</td> <td>—</td> </tr> <tr> <td>Mode 7</td> <td>1 Mbyte</td> <td>—</td> <td>—</td> </tr> </tbody> </table> <ul style="list-style-type: none"> On-chip ROM is disabled in modes 1 and 3 | Mode | Address Space | Address Pins | Bus Width | Mode 1 | 1 Mbyte | A_0 to A_{19} | 8 bits | Mode 3 | 16 Mbytes | A_{23} to A_0 | 8 bits | Mode 5 | 1 Mbyte | A_0 to A_{19} | 8 bits | Mode 6 | 64 kbytes | — | — | Mode 7 | 1 Mbyte | — | — |
| Mode | Address Space | Address Pins | Bus Width | | | | | | | | | | | | | | | | | | | | | | |
| Mode 1 | 1 Mbyte | A_0 to A_{19} | 8 bits | | | | | | | | | | | | | | | | | | | | | | |
| Mode 3 | 16 Mbytes | A_{23} to A_0 | 8 bits | | | | | | | | | | | | | | | | | | | | | | |
| Mode 5 | 1 Mbyte | A_0 to A_{19} | 8 bits | | | | | | | | | | | | | | | | | | | | | | |
| Mode 6 | 64 kbytes | — | — | | | | | | | | | | | | | | | | | | | | | | |
| Mode 7 | 1 Mbyte | — | — | | | | | | | | | | | | | | | | | | | | | | |
| Power-down state | <ul style="list-style-type: none"> Sleep mode Software standby mode Hardware standby mode Module standby function Programmable System clock frequency division | | | | | | | | | | | | | | | | | | | | | | | | |

| Feature | Description | | | |
|----------------|---|--------------|-----------------------|--------------|
| Other features | <ul style="list-style-type: none"> On-chip clock oscillator | | | |
| Product lineup | Model (5 V) | Model (3 V)* | Package | ROM |
| | HD64F3039F | HD64F3039VF | 80-pin QFP (FP-80A) | Flash memory |
| | HD64F3039TE | HD64F3039VTE | 80-pin TQFP (TFP-80C) | |
| | HD6433039F | HD6433039VF | 80-pin QFP (FP-80A) | Mask ROM |
| | HD6433039TE | HD6433039VTE | 80-pin TQFP (TFP-80C) | |
| | HD6433038F | HD6433038VF | 80-pin QFP (FP-80A) | Mask ROM |
| | HD6433038TE | HD6433038VTE | 80-pin TQFP (TFP-80C) | |
| | HD6433037F | HD6433037VF | 80-pin QFP (FP-80A) | Mask ROM |
| | HD6433037TE | HD6433037VTE | 80-pin TQFP (TFP-80C) | |
| | HD6433036F | HD6433036VF | 80-pin QFP (FP-80A) | Mask ROM |
| | HD6433036TE | HD6433036VTE | 80-pin TQFP (TFP-80C) | |
| | Note: * There are two 3 V versions: one with $V_{cc} = 2.7\text{ V to }5.5\text{ V}$ and $\phi = 2\text{ to }8\text{ MHz}$, and one with $V_{cc} = 3.0\text{ V to }5.5\text{ V}$ and $\phi = 2\text{ to }10\text{ MHz}$. However, there is only one flash memory version, with $V_{cc} = 3.0\text{ to }5.5\text{ V}$ and $\phi = 2\text{ to }10\text{ MHz}$. | | | |

1.2 Block Diagram

Figure 1.1 shows an internal block diagram of the H8/3039 Group.

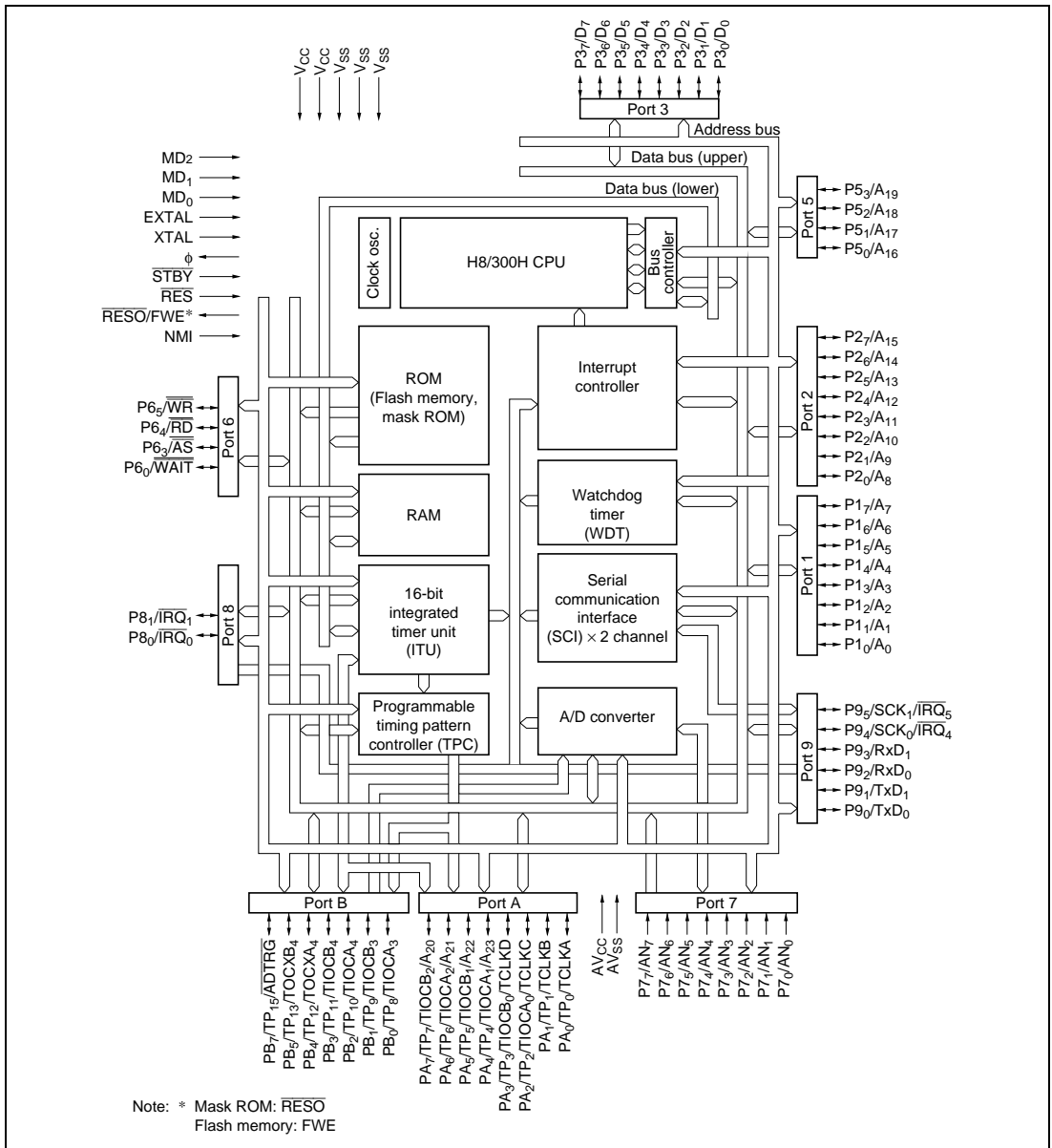


Figure 1.1 Block Diagram

1.3 Pin Description

1.3.1 Pin Arrangement

Figure 1.2 shows the pin arrangement of the H8/3039 Group.

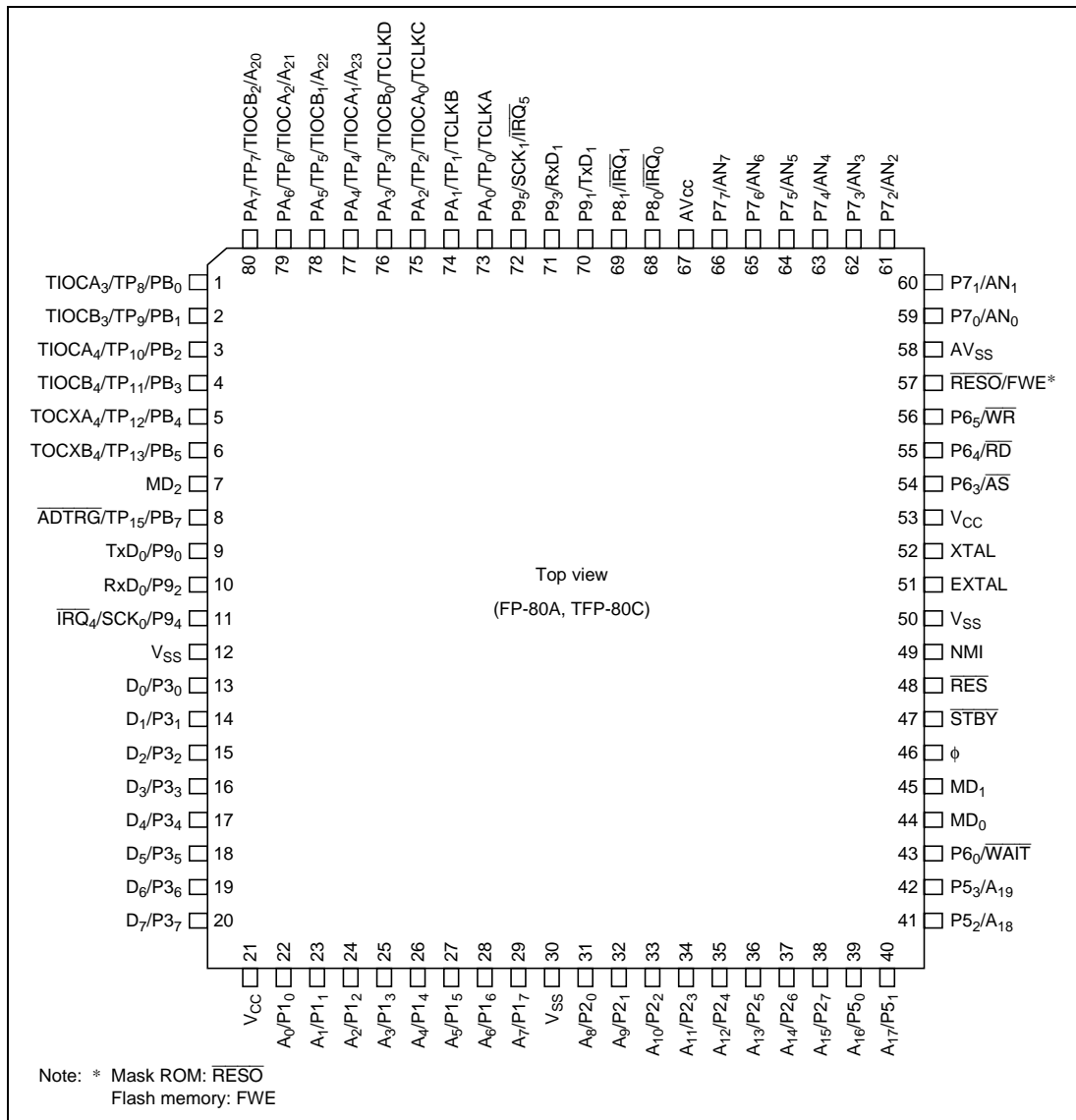


Figure 1.2 Pin Arrangement (FP-80A, TFP-80C Top View)

1.3.2 Pin Functions

Pin Assignments in Each Mode

Table 1.2 lists the FP-80A and TFP-80C pin assignments in each mode.

Table 1.2 FP-80A and TFP-80C Pin Assignments in Each Mode

| Pin No. | Pin Name | | | | | PROM Mode Flash memory |
|---------|---|---|---|---|---|---------------------------|
| | Mode 1 | Mode 3 | Mode 5 | Mode 6 | Mode 7 | |
| 1 | PB ₀ /TP ₈ / TIOCA ₃ | PB ₀ /TP ₈ / TIOCA ₃ | PB ₀ /TP ₈ / TIOCA ₃ | PB ₀ /TP ₈ / TIOCA ₃ | PB ₀ /TP ₈ / TIOCA ₃ | NC |
| 2 | PB ₁ /TP ₉ / TIOCB ₃ | PB ₁ /TP ₉ / TIOCB ₃ | PB ₁ /TP ₉ / TIOCB ₃ | PB ₁ /TP ₉ / TIOCB ₃ | PB ₁ /TP ₉ / TIOCB ₃ | NC |
| 3 | PB ₂ /TP ₁₀ / TIOCA ₄ | PB ₂ /TP ₁₀ / TIOCA ₄ | PB ₂ /TP ₁₀ / TIOCA ₄ | PB ₂ /TP ₁₀ / TIOCA ₄ | PB ₂ /TP ₁₀ / TIOCA ₄ | NC |
| 4 | PB ₃ /TP ₁₁ / TIOCB ₄ | PB ₃ /TP ₁₁ / TIOCB ₄ | PB ₃ /TP ₁₁ / TIOCB ₄ | PB ₃ /TP ₁₁ / TIOCB ₄ | PB ₃ /TP ₁₁ / TIOCB ₄ | NC |
| 5 | PB ₄ /TP ₁₂ / TOCXA ₄ | PB ₄ /TP ₁₂ / TOCXA ₄ | PB ₄ /TP ₁₂ / TOCXA ₄ | PB ₄ /TP ₁₂ / TOCXA ₄ | PB ₄ /TP ₁₂ / TOCXA ₄ | NC |
| 6 | PB ₅ /TP ₁₃ / TOCXB ₄ | PB ₅ /TP ₁₃ / TOCXB ₄ | PB ₅ /TP ₁₃ / TOCXB ₄ | PB ₅ /TP ₁₃ / TOCXB ₄ | PB ₅ /TP ₁₃ / TOCXB ₄ | NC |
| 7 | MD ₂ | MD ₂ | MD ₂ | MD ₂ | MD ₂ | V _{SS} |
| 8 | PB ₇ /TP ₁₅ / ADTRG | PB ₇ /TP ₁₅ / ADTRG | PB ₇ /TP ₁₅ / ADTRG | PB ₇ /TP ₁₅ / ADTRG | PB ₇ /TP ₁₅ / ADTRG | NC |
| 9 | P9 ₀ /TxD ₀ | P9 ₀ /TxD ₀ | P9 ₀ /TxD ₀ | P9 ₀ /TxD ₀ | P9 ₀ /TxD ₀ | NC |
| 10 | P9 ₂ /RxD ₀ | P9 ₂ /RxD ₀ | P9 ₂ /RxD ₀ | P9 ₂ /RxD ₀ | P9 ₂ /RxD ₀ | V _{SS} |
| 11 | P9 ₂ /SCK ₀ / IRQ ₄ | P9 ₄ /SCK ₀ / IRQ ₄ | P9 ₄ /SCK ₀ / IRQ ₄ | P9 ₄ /SCK ₀ / IRQ ₄ | P9 ₄ /SCK ₀ / IRQ ₄ | NC |
| 12 | V _{SS} | V _{SS} | V _{SS} | V _{SS} | V _{SS} | V _{SS} |
| 13 | D ₀ | D ₀ | D ₀ | P3 ₀ | P3 ₀ | I/O ₀ |
| 14 | D ₁ | D ₁ | D ₁ | P3 ₁ | P3 ₁ | I/O ₁ |
| 15 | D ₂ | D ₂ | D ₂ | P3 ₂ | P3 ₂ | I/O ₂ |
| 16 | D ₃ | D ₃ | D ₃ | P3 ₃ | P3 ₃ | I/O ₃ |
| 17 | D ₄ | D ₄ | D ₄ | P3 ₄ | P3 ₄ | I/O ₄ |

| Pin No. | Pin Name | | | | | PROM Mode Flash memory |
|---------|-----------------------|-----------------------|----------------------------------|-----------------|-----------------|------------------------|
| | Mode 1 | Mode 3 | Mode 5 | Mode 6 | Mode 7 | |
| 18 | D ₅ | D ₅ | D ₅ | P3 ₅ | P3 ₅ | I/O ₅ |
| 19 | D ₆ | D ₆ | D ₆ | P3 ₆ | P3 ₆ | I/O ₆ |
| 20 | D ₇ | D ₇ | D ₇ | P3 ₇ | P3 ₇ | I/O ₇ |
| 21 | V _{CC} | V _{CC} | V _{CC} | V _{CC} | V _{CC} | V _{CC} |
| 22 | A ₀ | A ₀ | P1 ₀ /A ₀ | P1 ₀ | P1 ₀ | A ₀ |
| 23 | A ₁ | A ₁ | P1 ₁ /A ₁ | P1 ₁ | P1 ₁ | A ₁ |
| 24 | A ₂ | A ₂ | P1 ₂ /A ₂ | P1 ₂ | P1 ₂ | A ₂ |
| 25 | A ₃ | A ₃ | P1 ₃ /A ₃ | P1 ₃ | P1 ₃ | A ₃ |
| 26 | A ₄ | A ₄ | P1 ₄ /A ₄ | P1 ₄ | P1 ₄ | A ₄ |
| 27 | A ₅ | A ₅ | P1 ₅ /A ₅ | P1 ₅ | P1 ₅ | A ₅ |
| 28 | A ₆ | A ₆ | P1 ₆ /A ₆ | P1 ₆ | P1 ₆ | A ₆ |
| 29 | A ₇ | A ₇ | P1 ₇ /A ₇ | P1 ₇ | P1 ₇ | A ₇ |
| 30 | V _{SS} | V _{SS} | V _{SS} | V _{SS} | V _{SS} | V _{SS} |
| 31 | A ₈ | A ₈ | P2 ₀ /A ₈ | P2 ₀ | P2 ₀ | A ₈ |
| 32 | A ₉ | A ₉ | P2 ₁ /A ₉ | P2 ₁ | P2 ₁ | A ₉ |
| 33 | A ₁₀ | A ₁₀ | P2 ₂ /A ₁₀ | P2 ₂ | P2 ₂ | A ₁₀ |
| 34 | A ₁₁ | A ₁₁ | P2 ₃ /A ₁₁ | P2 ₃ | P2 ₃ | A ₁₁ |
| 35 | A ₁₂ | A ₁₂ | P2 ₄ /A ₁₂ | P2 ₄ | P2 ₄ | A ₁₂ |
| 36 | A ₁₃ | A ₁₃ | P2 ₅ /A ₁₃ | P2 ₅ | P2 ₅ | A ₁₃ |
| 37 | A ₁₄ | A ₁₄ | P2 ₆ /A ₁₄ | P2 ₆ | P2 ₆ | A ₁₄ |
| 38 | A ₁₅ | A ₁₅ | P2 ₇ /A ₁₅ | P2 ₇ | P2 ₇ | A ₁₅ |
| 39 | A ₁₆ | A ₁₆ | P5 ₀ /A ₁₆ | P5 ₀ | P5 ₀ | A ₁₆ |
| 40 | A ₁₇ | A ₁₇ | P5 ₁ /A ₁₇ | P5 ₁ | P5 ₁ | V _{SS} |
| 41 | A ₁₈ | A ₁₈ | P5 ₂ /A ₁₈ | P5 ₂ | P5 ₂ | V _{SS} |
| 42 | A ₁₉ | A ₁₉ | P5 ₃ /A ₁₉ | P5 ₃ | P5 ₃ | V _{SS} |
| 43 | P6 ₀ /WAIT | P6 ₀ /WAIT | P6 ₀ /WAIT | P6 ₀ | P6 ₀ | NC |
| 44 | MD ₀ | MD ₀ | MD ₀ | MD ₀ | MD ₀ | V _{SS} |
| 45 | MD ₁ | MD ₁ | MD ₁ | MD ₁ | MD ₁ | V _{SS} |
| 46 | φ | φ | φ | φ | φ | NC |

Pin Name

| Pin No. | Mode 1 | Mode 3 | Mode 5 | Mode 6 | Mode 7 | PROM Mode Flash memory |
|---------|--|--|--|--|--|------------------------|
| 47 | \overline{STBY} | \overline{STBY} | \overline{STBY} | \overline{STBY} | \overline{STBY} | V_{CC} |
| 48 | \overline{RES} | \overline{RES} | \overline{RES} | \overline{RES} | \overline{RES} | \overline{RES} |
| 49 | NMI | NMI | NMI | NMI | NMI | V_{CC} |
| 50 | V_{SS} | V_{SS} | V_{SS} | V_{SS} | V_{SS} | V_{SS} |
| 51 | EXTAL | EXTAL | EXTAL | EXTAL | EXTAL | EXTAL |
| 52 | XTAL | XTAL | XTAL | XTAL | XTAL | XTAL |
| 53 | V_{CC} | V_{CC} | V_{CC} | V_{CC} | V_{CC} | V_{CC} |
| 54 | \overline{AS} | \overline{AS} | \overline{AS} | $P6_3$ | $P6_3$ | NC |
| 55 | \overline{RD} | \overline{RD} | \overline{RD} | $P6_4$ | $P6_4$ | NC |
| 56 | \overline{WR} | \overline{WR} | \overline{WR} | $P6_5$ | $P6_5$ | V_{CC} |
| 57 | $\overline{RESO}/$ \overline{FWE}^* | $\overline{RESO}/$ \overline{FWE}^* | $\overline{RESO}/$ \overline{FWE}^* | $\overline{RESO}/$ \overline{FWE}^* | $\overline{RESO}/$ \overline{FWE}^* | FWE |
| 58 | AV_{SS} | AV_{SS} | AV_{SS} | AV_{SS} | AV_{SS} | V_{SS} |
| 59 | $P7_0/AN_0$ | $P7_0/AN_0$ | $P7_0/AN_0$ | $P7_0/AN_0$ | $P7_0/AN_0$ | NC |
| 60 | $P7_1/AN_1$ | $P7_1/AN_1$ | $P7_1/AN_1$ | $P7_1/AN_1$ | $P7_1/AN_1$ | NC |
| 61 | $P7_2/AN_2$ | $P7_2/AN_2$ | $P7_2/AN_2$ | $P7_2/AN_2$ | $P7_2/AN_2$ | NC |
| 62 | $P7_3/AN_3$ | $P7_3/AN_3$ | $P7_3/AN_3$ | $P7_3/AN_3$ | $P7_3/AN_3$ | NC |
| 63 | $P7_4/AN_4$ | $P7_4/AN_4$ | $P7_4/AN_4$ | $P7_4/AN_4$ | $P7_4/AN_4$ | NC |
| 64 | $P7_5/AN_5$ | $P7_5/AN_5$ | $P7_5/AN_5$ | $P7_5/AN_5$ | $P7_5/AN_5$ | NC |
| 65 | $P7_6/AN_6$ | $P7_6/AN_6$ | $P7_6/AN_6$ | $P7_6/AN_6$ | $P7_6/AN_6$ | NC |
| 66 | $P7_7/AN_7$ | $P7_7/AN_7$ | $P7_7/AN_7$ | $P7_7/AN_7$ | $P7_7/AN_7$ | NC |
| 67 | AV_{CC} | AV_{CC} | AV_{CC} | AV_{CC} | AV_{CC} | V_{CC} |
| 68 | $P8_0/\overline{IRQ}_0$ | $P8_0/\overline{IRQ}_0$ | $P8_0/\overline{IRQ}_0$ | $P8_0/\overline{IRQ}_0$ | $P8_0/\overline{IRQ}_0$ | V_{SS} |
| 69 | $P8_1/\overline{IRQ}_1$ | $P8_1/\overline{IRQ}_1$ | $P8_1/\overline{IRQ}_1$ | $P8_1/\overline{IRQ}_1$ | $P8_1/\overline{IRQ}_1$ | V_{SS} |
| 70 | $P9_1/TxD_1$ | $P9_1/TxD_1$ | $P9_1/TxD_1$ | $P9_1/TxD_1$ | $P9_1/TxD_1$ | NC |
| 71 | $P9_3/RxD_1$ | $P9_3/RxD_1$ | $P9_3/RxD_1$ | $P9_3/RxD_1$ | $P9_3/RxD_1$ | NC |
| 72 | $P9_5/SCK_1/$ \overline{IRQ}_5 | $P9_5/SCK_1/$ \overline{IRQ}_5 | $P9_5/SCK_1/$ \overline{IRQ}_5 | $P9_5/SCK_1/$ \overline{IRQ}_5 | $P9_5/SCK_1/$ \overline{IRQ}_5 | V_{CC} |
| 73 | $PA_0/TP_0/$ TCLKA | $PA_0/TP_0/$ TCLKA | $PA_0/TP_0/$ TCLKA | $PA_0/TP_0/$ TCLKA | $PA_0/TP_0/$ TCLKA | \overline{CE} |

| Pin No. | Pin Name | | | | | PROM Mode Flash memory |
|---------|---|---|---|---|---|------------------------|
| | Mode 1 | Mode 3 | Mode 5 | Mode 6 | Mode 7 | |
| 74 | PA ₁ /TP ₁ / TCLKB | PA ₁ /TP ₁ / TCLKB | PA ₁ /TP ₁ / TCLKB | PA ₁ /TP ₁ / TCLKB | PA ₁ /TP ₁ / TCLKB | \overline{OE} |
| 75 | PA ₂ /TP ₂ / TIOCA ₀ / TCLKC | PA ₂ /TP ₂ / TIOCA ₀ / TCLKC | PA ₂ /TP ₂ / TIOCA ₀ / TCLKC | PA ₂ /TP ₂ / TIOCA ₀ / TCLKC | PA ₂ /TP ₂ / TIOCA ₀ / TCLKC | \overline{WE} |
| 76 | PA ₃ /TP ₃ / TIOCB ₀ / TCLKD | PA ₃ /TP ₃ / TIOCB ₀ / TCLKD | PA ₃ /TP ₃ / TIOCB ₀ / TCLKD | PA ₃ /TP ₃ / TIOCB ₀ / TCLKD | PA ₃ /TP ₃ / TIOCB ₀ / TCLKD | NC |
| 77 | PA ₄ /TP ₄ / TIOCA ₁ | PA ₄ /TP ₄ / TIOCA ₁ /A ₂₃ | PA ₄ /TP ₄ / TIOCA ₁ | PA ₄ /TP ₄ / TIOCA ₁ | PA ₄ /TP ₄ / TIOCA ₁ | NC |
| 78 | PA ₅ /TP ₅ / TIOCB ₁ | PA ₅ /TP ₅ / TIOCB ₁ /A ₂₂ | PA ₅ /TP ₅ / TIOCB ₁ | PA ₅ /TP ₅ / TIOCB ₁ | PA ₅ /TP ₅ / TIOCB ₁ | NC |
| 79 | PA ₆ /TP ₆ / TIOCA ₂ | PA ₆ /TP ₆ / TIOCA ₂ /A ₂₁ | PA ₆ /TP ₆ / TIOCA ₂ | PA ₆ /TP ₆ / TIOCA ₂ | PA ₆ /TP ₆ / TIOCA ₂ | NC |
| 80 | PA ₇ /TP ₇ / TIOCB ₂ | A ₂₀ | PA ₇ /TP ₇ / TIOCB ₂ | PA ₇ /TP ₇ / TIOCB ₂ | PA ₇ /TP ₇ / TIOCB ₂ | NC |

Notes: Pins marked NC should be left unconnected.

For details about PROM mode see section 15, ROM.

- * Mask ROM: \overline{RESO}
- Flash Memory: FWE

1.4 Pin Functions

Table 1.3 summarizes the pin functions.

Table 1.3 Pin Functions

| Type | Symbol | Pin No. | I/O | Name and Function | | | |
|------------------------|--------------------------------|------------------|--------|--|--------------------------|--------------------------|-----------------------|
| Power | V_{cc} | 21, 53 | Input | Power: For connection to the power supply. Connect all V_{cc} pins to the system power supply. | | | |
| | V_{ss} | 12, 30, 50 | Input | Ground: For connection to ground (0 V). Connect all V_{ss} pins to the 0-V system power supply. | | | |
| Clock | XTAL | 52 | Input | For connection to a crystal resonator For examples of crystal resonator and external clock input, see section 16, Clock Pulse Generator. | | | |
| | EXTAL | 51 | Input | For connection to a crystal resonator or input of an external clock signal. For examples of crystal resonator and external clock input, see section 16, Clock Pulse Generator. | | | |
| | ϕ | 46 | Output | System clock: Supplies the system clock to external devices | | | |
| Operating mode control | MD_2 , MD_1 , MD_0 | 7, 45, 44 | Input | Mode 2 to mode 0: For setting the operating mode, as follows. These pins should not be changed during operation. | | | |
| | | | | MD_2 | MD_1 | MD_0 | Operating Mode |
| | | | | 0 | 0 | 0 | — |
| | | | | 0 | 0 | 1 | Mode 1 |
| | | | | 0 | 1 | 0 | — |
| | | | | 0 | 1 | 1 | Mode 3 |
| | | | | 1 | 0 | 0 | — |
| | | | | 1 | 0 | 1 | Mode 5 |
| | | | | 1 | 1 | 0 | Mode 6 |
| | | | | 1 | 1 | 1 | Mode 7 |

| Type | Symbol | Pin No. | I/O | Name and Function |
|------------------------------------|--|------------------------------------|------------------|--|
| System control | $\overline{\text{RES}}$ | 48 | Input | Reset input: When driven low, this pin resets the chip |
| | $\overline{\text{RESO}}$ / FWE | 57 | Output/ Input | Reset output (Mask ROM version): Outputs WDT-generated reset signal to an external device. Write enable signal (F-ZTAT version): Flash memory write control signal. |
| | $\overline{\text{STBY}}$ | 47 | Input | Standby: When driven low, this pin forces a transition to hardware standby mode |
| Interrupts | NMI | 49 | Input | Nonmaskable interrupt: Requests a nonmaskable interrupt |
| | $\overline{\text{IRQ}}_5, \overline{\text{IRQ}}_4$, $\overline{\text{IRQ}}_1, \overline{\text{IRQ}}_0$ | 72, 11, 69, 68 | Input | Interrupt request 5, 4, 1, 0: Maskable interrupt request pins |
| Address bus | A_{23} to A_{20} , A_{19} to A_8 , A_7 to A_0 | 77 to 80, 42 to 31, 29 to 22 | Output | Address bus: Outputs address signals |
| Data bus | D_7 to D_0 | 20 to 13 | Input/ output | Data bus: Bidirectional data bus |
| Bus control | $\overline{\text{AS}}$ | 54 | Output | Address strobe: Goes low to indicate valid address output on the address bus |
| | $\overline{\text{RD}}$ | 55 | Output | Read: Goes low to indicate reading from the external address space. |
| | $\overline{\text{WR}}$ | 56 | Output | Write: Goes low to indicate writing to the external address space indicates valid data on the data bus. |
| | $\overline{\text{WAIT}}$ | 43 | Input | Wait: Requests insertion of wait states in bus cycles during access to the external address space. |
| 16-bit integrated timer unit (ITU) | TCLKD to TCLKA | 76 to 73 | Input | Clock input A to D: External clock inputs |
| | TIOCA_4 to TIOCA_0 | 3, 1, 79, 77, 75 | Input/ Output | Input capture/output compare A4 to A0: GRA4 to GRA0 output compare or input capture, or PWM output |
| | TIOCB_4 to TIOCB_0 | 4, 2, 80, 78, 76 | Input/ output | Input capture/output compare B4 to B0: GRB4 to GRB0 output compare or input capture, or PWM output |
| | TOCX_4 | 5 | Output | Output compare XA4: PWM output |
| | TOCX_4 | 6 | Output | Output compare XB4: PWM output |

| Type | Symbol | Pin No. | I/O | Name and Function |
|--|---|-----------------|------------------|--|
| Programmable timing pattern controller (TPC) | TP _{15'} | 8, 6 to 1 | Output | TPC output 15, 13 to 0 : Pulse output |
| | TP ₁₃ to TP ₀ | 80 to 73 | | |
| Serial communication interface (SCI) | TxD ₁ , TxD ₀ | 70, 9 | Output | Transmit data :(channels 0 and 1): SCI data output |
| | RxD ₁ , RxD ₀ | 71, 10 | Input | Receive data :(channels 0 and 1): SCI data input |
| | SCK ₁ , SCK ₀ | 72, 11 | Input/ output | Serial clock :(channels 0 and 1): SCI clock input/output |
| A/D converter | AN ₇ to AN ₀ | 66 to 59 | Input | Analog 7 to 0 : Analog input pins |
| | ADTRG | 8 | Input | A/D trigger : External trigger input for starting A/D conversion |
| | AV _{cc} | 67 | Input | Power supply pin and reference voltage input pin for the A/D converter. Connect to the system power supply when not using the A/D converter. |
| | AV _{ss} | 58 | Input | Ground pin for the A/D converter. Connect to system power-supply (0 V). |
| I/O ports | P1 ₇ to P1 ₀ | 29 to 22 | Input/ output | Port 1 : Eight input/output pins. The direction of each pin can be selected in the port 1 data direction register (P1DDR). |
| | P2 ₇ to P2 ₀ | 38 to 31 | Input/ output | Port 2 : Eight input/output pins. The direction of each pin can be selected in the port 2 data direction register (P2DDR). |
| | P3 ₇ to P3 ₀ | 20 to 13 | Input/ output | Port 3 : Eight input/output pins. The direction of each pin can be selected in the port 3 data direction register (P3DDR). |
| | P5 ₃ to P5 ₀ | 42 to 39 | Input/ output | Port 5 : Four input/output pins. The direction of each pin can be selected in the port 5 data direction register (P5DDR). |
| | P6 ₅ to P6 ₃ , P6 ₀ | 56 to 54, 43 | Input/ output | Port 6 : Four input/output pins. The direction of each pin can be selected in the port 6 data direction register (P6DDR). |
| | P7 ₇ to P7 ₀ | 66 to 59 | Input | Port 7 : Eight input pins |
| | P8 ₁ , P8 ₀ | 69, 68 | Input/ output | Port 8 : Two input/output pins. The direction of each pin can be selected in the port 8 data direction register (P8DDR). |

| Type | Symbol | Pin No. | I/O | Name and Function |
|-----------|---|---------------------------|------------------|---|
| I/O ports | P9 ₅ to P9 ₀ | 72, 11 71, 10 70, 9 | Input/ output | Port 9: Six input/output pins. The direction of each pin can be selected in the port 9 data direction register (P9DDR). |
| | PA ₇ to PA ₀ | 80 to 73 | Input/ output | Port A: Eight input/output pins. The direction of each pin can be selected in the port A data direction register (PADDDR). |
| | PB ₇ , PB ₅ to PB ₀ | 8, 6to1 | Input/ output | Port B: Seven input/output pins. The direction of each pin can be selected in the port B data direction register (PBDDR). |

Section 2 CPU

2.1 Overview

The H8/300H CPU is a high-speed central processing unit with an internal 32-bit architecture that is upward-compatible with the H8/300 CPU. The H8/300H CPU has sixteen 16-bit general registers, can address a 16-Mbyte linear address space, and is ideal for realtime control.

2.1.1 Features

The H8/300H CPU has the following features.

- Upward compatibility with H8/300 CPU
Can execute H8/300 series object programs without alteration
- General-register architecture
Sixteen 16-bit general registers (also usable as sixteen 8-bit registers or eight 32-bit registers)
- Sixty-two basic instructions
 - 8/16/32-bit arithmetic and logic instructions
 - Multiply and divide instructions
 - Powerful bit-manipulation instructions
- Eight addressing modes
 - Register direct [Rn]
 - Register indirect [@ERn]
 - Register indirect with displacement [@(d:16, ERn) or @(d:24, ERn)]
 - Register indirect with post-increment or pre-decrement [@ERn+ or @-ERn]
 - Absolute address [@aa:8, @aa:16, or @aa:24]
 - Immediate [#xx:8, #xx:16, or #xx:32]
 - Program-counter relative [@(d:8, PC) or @(d:16, PC)]
 - Memory indirect [@@aa:8]
- 16-Mbyte linear address space
- High-speed operation
 - All frequently-used instructions execute in two to four states
 - Maximum clock frequency: 18 MHz
 - 8/16/32-bit register-register add/subtract: 111 ns
 - 8 × 8-bit register-register multiply: 778 ns
 - 16 ÷ 8-bit register-register divide: 778 ns

- 16×16 -bit register-register multiply: 1222 ns
- $32 \div 16$ -bit register-register divide: 1222 ns
- Two CPU operating modes
 - Normal mode
 - Advanced mode
- Low-power mode
 - Transition to power-down state by SLEEP instruction

2.1.2 Differences from H8/300 CPU

In comparison to the H8/300 CPU, the H8/300H has the following enhancements.

- More general registers
 - Eight 16-bit registers have been added.
- Expanded address space
 - Advanced mode supports a maximum 16-Mbyte address space.
 - Normal mode supports the same 64-kbyte address space as the H8/300 CPU.
- Enhanced addressing
 - The addressing modes have been enhanced to make effective use of the 16-Mbyte address space.
- Enhanced instructions
 - Data transfer, arithmetic, and logic instructions can operate on 32-bit data.
 - Signed multiply/divide instructions and other instructions have been added.

2.2 CPU Operating Modes

The H8/300H CPU has two operating modes: normal and advanced. Normal mode supports a maximum 64-kbyte address space. Advanced mode supports up to 16 Mbytes. See figure 2.1.

Unless specified otherwise, all descriptions in this manual refer to advanced mode.

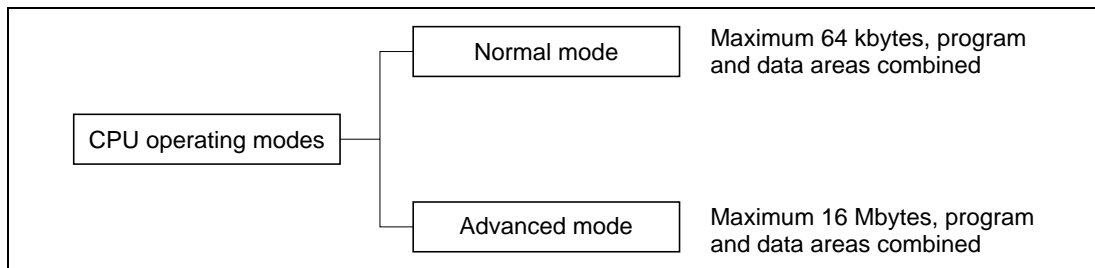


Figure 2.1 CPU Operating Modes

2.3 Address Space

The maximum address space of the H8/300H CPU is 16 Mbytes. This LSI allows selection of a normal mode and advanced mode 1-Mbyte mode or 16-Mbyte mode for the address space depending on the MCU operation mode. Figure 2.2 shows the address ranges of the H8/3039 Group. For further details see section 3.6, Memory Map in Each Operating Mode.

The 1-Mbyte operating mode uses 20-bit addressing. The upper 4 bits of effective addresses are ignored.

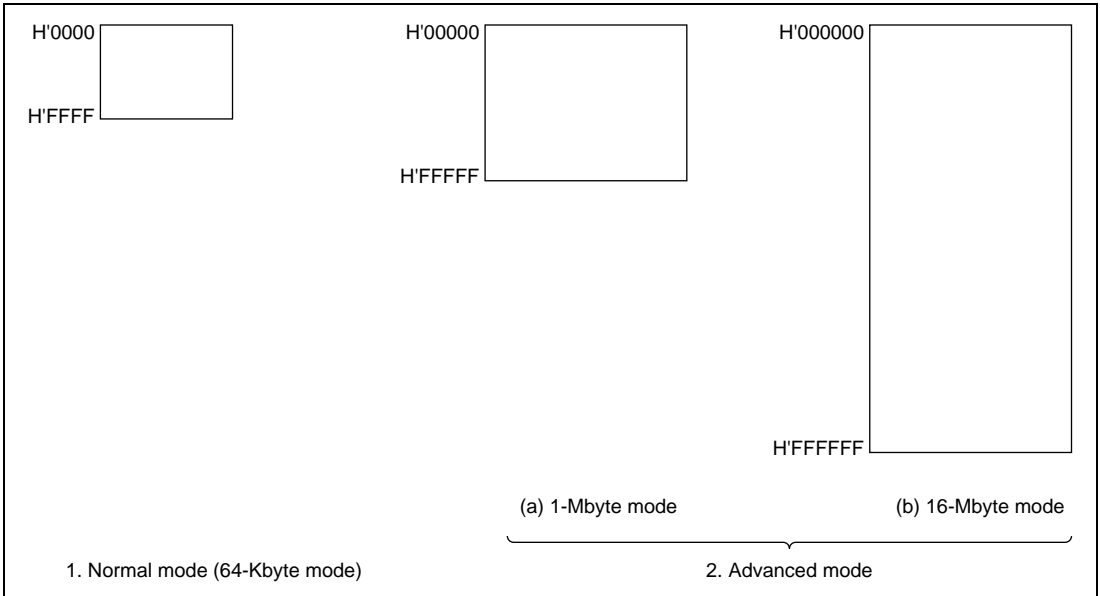


Figure 2.2 Memory Map

2.4 Register Configuration

2.4.1 Overview

The H8/300H CPU has the internal registers shown in figure 2.3. There are two types of registers: general registers and control registers.

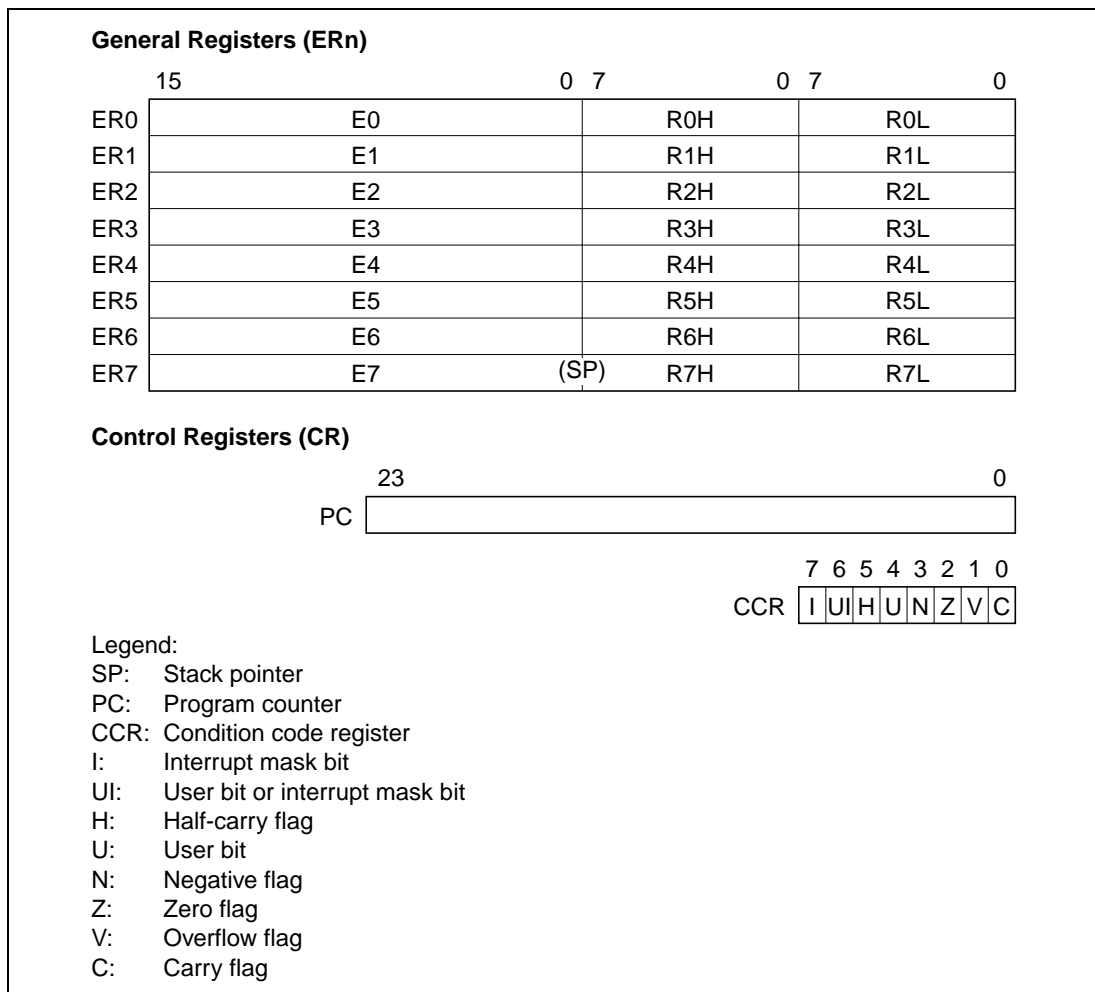


Figure 2.3 CPU Registers

2.4.2 General Registers

The H8/300H CPU has eight 32-bit general registers. These general registers are all functionally alike and can be used without distinction between data registers and address registers. When a general register is used as a data register, it can be accessed as a 32-bit, 16-bit, or 8-bit register. When the general registers are used as 32-bit registers or as address registers, they are designated by the letters ER (ER0 to ER7).

The ER registers divide into 16-bit general registers designated by the letters E (E0 to E7) and R (R0 to R7). These registers are functionally equivalent, providing a maximum sixteen 16-bit registers. The E registers (E0 to E7) are also referred to as extended registers.

The R registers divide into 8-bit general registers designated by the letters RH (R0H to R7H) and RL (R0L to R7L). These registers are functionally equivalent, providing a maximum sixteen 8-bit registers.

Figure 2.4 illustrates the usage of the general registers. The usage of each register can be selected independently.

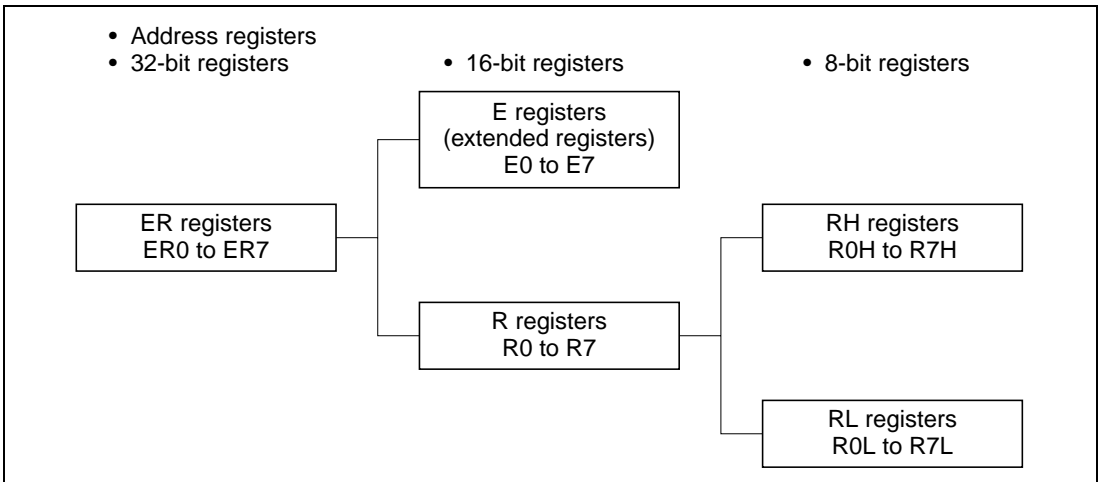


Figure 2.4 Usage of General Registers

General register ER7 has the function of stack pointer (SP) in addition to its general-register function, and is used implicitly in exception handling and subroutine calls. Figure 2.5 shows the stack.

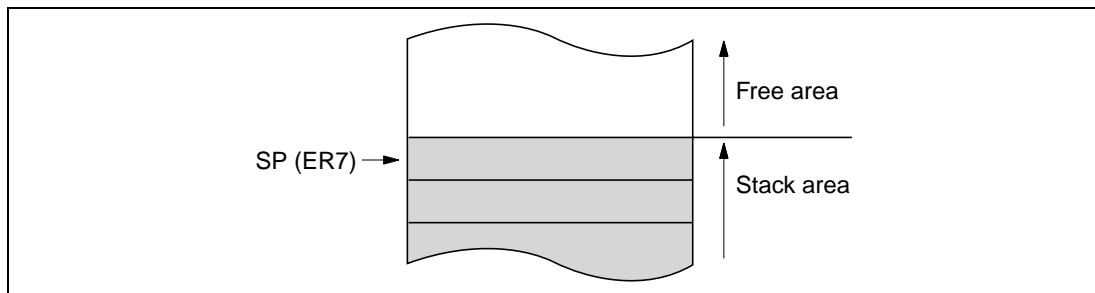


Figure 2.5 Stack

2.4.3 Control Registers

The control registers are the 24-bit program counter (PC) and the 8-bit condition code register (CCR).

Program Counter (PC)

This 24-bit counter indicates the address of the next instruction the CPU will execute. The length of all CPU instructions is 2 bytes (one word) or a multiple of 2 bytes, so the least significant PC bit is ignored. When an instruction is fetched, the least significant PC bit is regarded as 0.

Condition Code Register (CCR)

This 8-bit register contains internal CPU status information, including the interrupt mask bit (I) and half-carry (H), negative (N), zero (Z), overflow (V), and carry (C) flags.

Bit 7—Interrupt Mask Bit (I): Masks interrupts other than NMI when set to 1. NMI is accepted regardless of the I bit setting. The I bit is set to 1 at the start of an exception-handling sequence.

Bit 6—User Bit or Interrupt Mask Bit (UI): Can be written and read by software using the LDC, STC, ANDC, ORC, and XORC instructions. This bit can also be used as an interrupt mask bit. For details see section 5, Interrupt Controller.

Bit 5—Half-Carry Flag (H): When the ADD.B, ADDX.B, SUB.B, SUBX.B, CMP.B, or NEG.B instruction is executed, this flag is set to 1 if there is a carry or borrow at bit 3, and cleared to 0 otherwise. When the ADD.W, SUB.W, CMP.W, or NEG.W instruction is executed, the H flag is set to 1 if there is a carry or borrow at bit 11, and cleared to 0 otherwise. When the ADD.L, SUB.L, CMP.L, or NEG.L instruction is executed, the H flag is set to 1 if there is a carry or borrow at bit 27, and cleared to 0 otherwise.

Bit 4—User Bit (U): Can be written and read by software using the LDC, STC, ANDC, ORC, and XORC instructions.

Bit 3—Negative Flag (N): Indicates the most significant bit (sign bit) of data.

Bit 2—Zero Flag (Z): Set to 1 to indicate zero data, and cleared to 0 to indicate non-zero data.

Bit 1—Overflow Flag (V): Set to 1 when an arithmetic overflow occurs, and cleared to 0 at other times.

Bit 0—Carry Flag (C): Set to 1 when a carry occurs, and cleared to 0 otherwise. Used by:

- Add instructions, to indicate a carry
- Subtract instructions, to indicate a borrow
- Shift and rotate instructions, to store the value shifted out of the end bit

The carry flag is also used as a bit accumulator by bit manipulation instructions.

Some instructions leave flag bits unchanged. Operations can be performed on CCR by the LDC, STC, ANDC, ORC, and XORC instructions. The N, Z, V, and C flags are used by conditional branch (Bcc) instructions.

For the action of each instruction on the flag bits, see appendix A.1, Instruction List. For the I and UI bits, see section 5, Interrupt Controller.

2.4.4 Initial CPU Register Values

In reset exception handling, PC is initialized to a value loaded from the vector table, and the I bit in CCR is set to 1. The other CCR bits and the general registers are not initialized. In particular, the stack pointer (ER7) is not initialized. The stack pointer must therefore be initialized by an MOV.L instruction executed immediately after a reset.

2.5 Data Formats

The H8/300H CPU can process 1-bit, 4-bit (BCD), 8-bit (byte), 16-bit (word), and 32-bit (longword) data. Bit-manipulation instructions operate on 1-bit data by accessing bit n ($n = 0, 1, 2, \dots, 7$) of byte operand data. The DAA and DAS decimal-adjust instructions treat byte data as two digits of 4-bit BCD data.

2.5.1 General Register Data Formats

Figures 2.6 and 2.7 show the data formats in general registers.

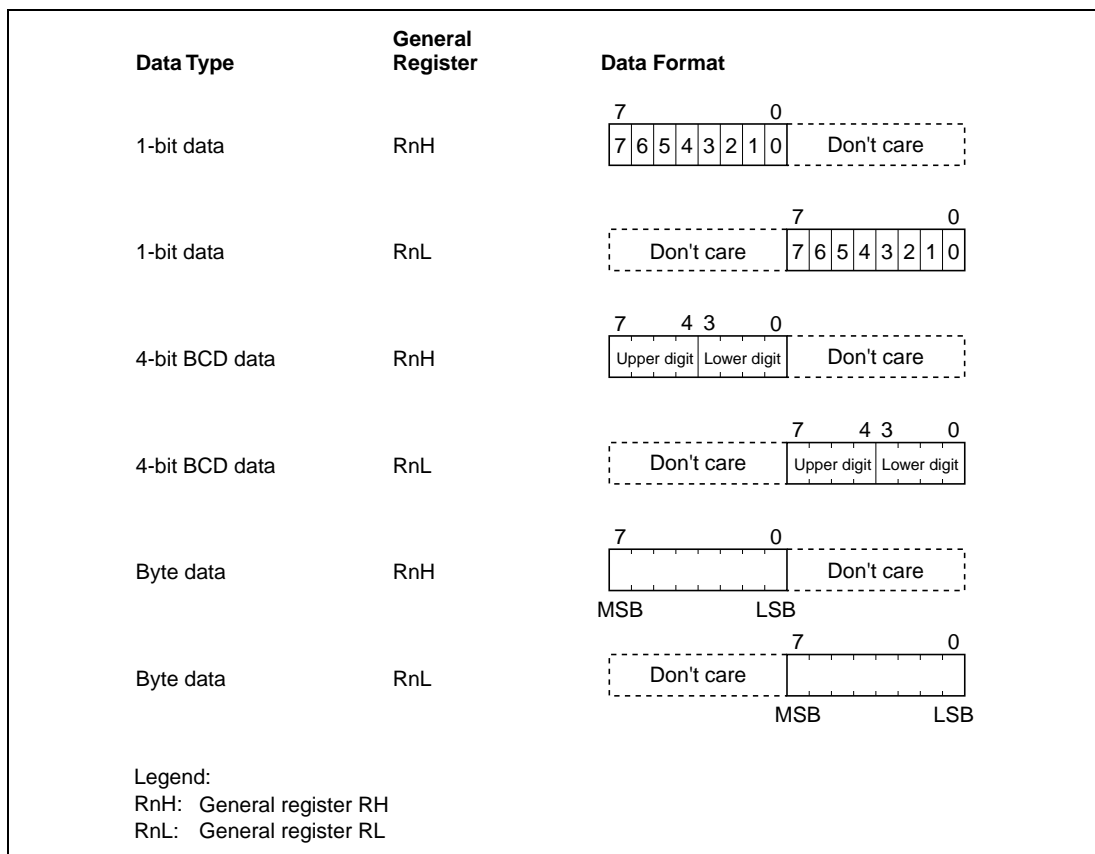


Figure 2.6 General Register Data Formats

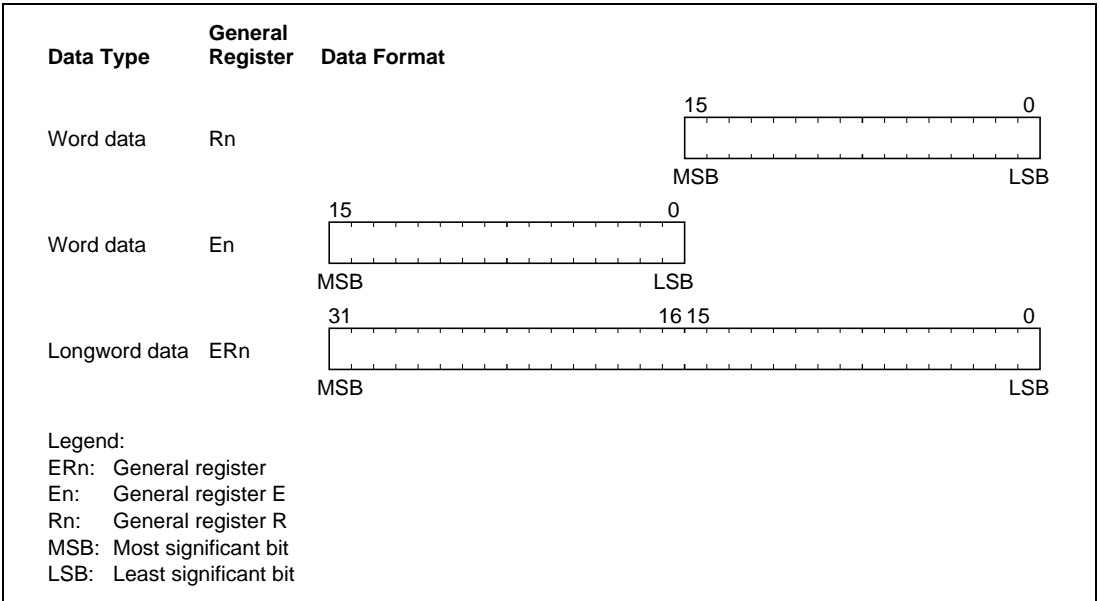


Figure 2.7 General Register Data Formats

2.5.2 Memory Data Formats

Figure 2.8 shows the data formats on memory. The H8/300H CPU can access word data and longword data on memory, but word or longword data must begin at an even address. If an attempt is made to access word or longword data at an odd address, no address error occurs but the least significant bit of the address is regarded as 0, so the access starts at the preceding address. This also applies to instruction fetches.

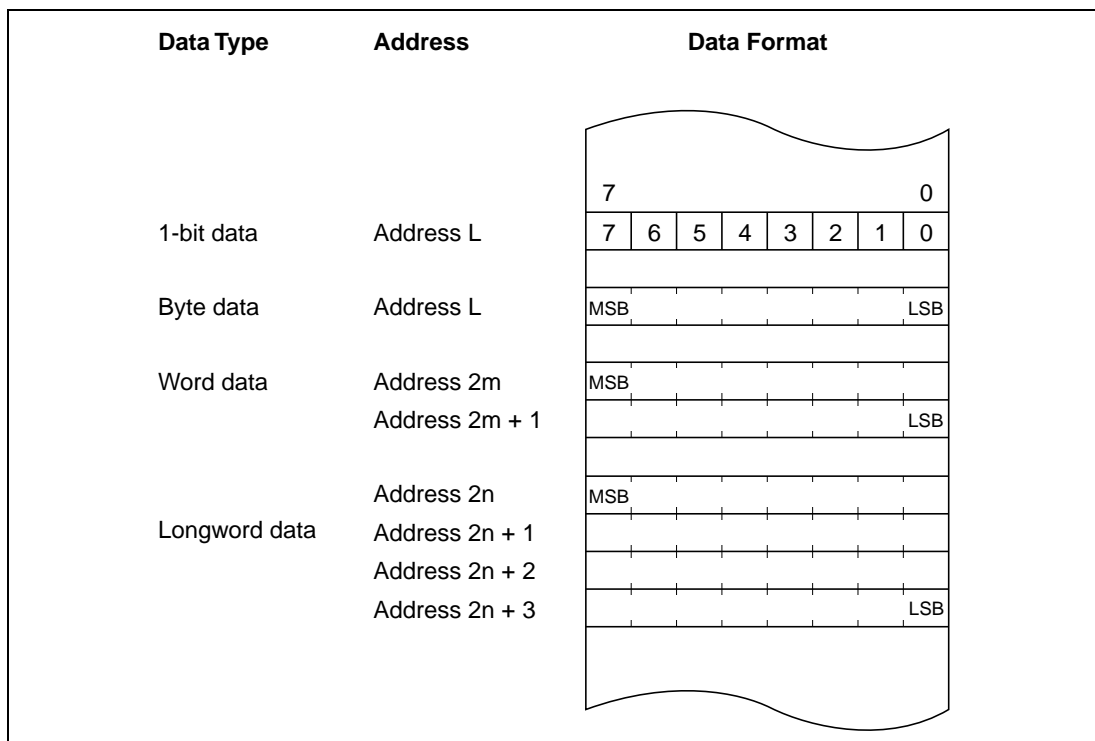


Figure 2.8 Memory Data Formats

When ER7 (SP) is used as an address register to access the stack, the operand size should be word size or longword size.

2.6 Instruction Set

2.6.1 Instruction Set Overview

The H8/300H CPU has 62 types of instructions, which are classified as shown in table 2.1.

Table 2.1 Instruction Classification

| Function | Instruction | Types |
|-----------------------|--|-------|
| Data transfer | MOV, PUSH* ¹ , POP* ¹ , MOVTPE* ² , MOVFPE* ² | 3 |
| Arithmetic operations | ADD, SUB, ADDX, SUBX, INC, DEC, ADDS, SUBS, DAA, DAS, MULXU, MULXS, DIVXU, DIVXS, CMP, NEG, EXTS, EXTU | 18 |
| Logic operations | AND, OR, XOR, NOT | 4 |
| Shift operations | SHAL, SHAR, SHLL, SHLR, ROTL, ROTR, ROTXL, ROTXR | 8 |
| Bit manipulation | BSET, BCLR, BNOT, BTST, BAND, BIAND, BOR, BIOR, BXOR, BIXOR, BLD, BILD, BST, BIST | 14 |
| Branch | Bcc* ³ , JMP, BSR, JSR, RTS | 5 |
| System control | TRAPA, RTE, SLEEP, LDC, STC, ANDC, ORC, XORC, NOP | 9 |
| Block data transfer | EEPMOV | 1 |

Total 62 types

- Notes:
- POP.W Rn is identical to MOV.W @SP+, Rn.
 PUSH.W Rn is identical to MOV.W Rn, @-SP.
 POP.L ERn is identical to MOV.L @SP+, Rn.
 PUSH.L ERn is identical to MOV.L Rn, @-SP.
 - These instructions are not available on the H8/3039 Group.
 - Bcc is a generic branching instruction.

2.6.2 Instructions and Addressing Modes

Table 2.2 indicates the instructions available in the H8/300H CPU.

Table 2.2 Instructions and Addressing Modes

| Function | Instruction | Addressing Modes | | | | | | | | | | | | |
|-----------------------|----------------------------|------------------|-----|------|-------------|--------------|-------------|-------|--------|--------|------------|------------|--------|---------|
| | | #xx | Rn | @ERn | @(d:16,ERn) | @(d:24, ERn) | @ERn+/@-ERn | @aa:8 | @aa:16 | @aa:24 | @(d:8, PC) | @(d:16,PC) | @@aa:8 | Implied |
| Data transfer | MOV | BWL | BWL | BWL | BWL | BWL | BWL | B | BWL | BWL | — | — | — | — |
| | POP, PUSH | — | — | — | — | — | — | — | — | — | — | — | — | WL |
| | MOVFP, MOVTPE | — | — | — | — | — | — | — | B | — | — | — | — | — |
| Arithmetic operations | ADD, CMP | BWL | BWL | — | — | — | — | — | — | — | — | — | — | — |
| | SUB | WL | BWL | — | — | — | — | — | — | — | — | — | — | — |
| | ADDX, SUBX | B | B | — | — | — | — | — | — | — | — | — | — | — |
| | ADDS, SUBS | — | L | — | — | — | — | — | — | — | — | — | — | — |
| | INC, DEC | — | BWL | — | — | — | — | — | — | — | — | — | — | — |
| | DAA, DAS | — | B | — | — | — | — | — | — | — | — | — | — | — |
| | MULXU, MULXS, DIVXU, DIVXS | — | BW | — | — | — | — | — | — | — | — | — | — | — |
| | NEG | — | BWL | — | — | — | — | — | — | — | — | — | — | — |
| EXTU, EXTS | — | WL | — | — | — | — | — | — | — | — | — | — | — | |
| Logic operations | AND, OR, XOR | BWL | BWL | — | — | — | — | — | — | — | — | — | — | — |
| | NOT | — | BWL | — | — | — | — | — | — | — | — | — | — | — |
| Shift instructions | | — | BWL | — | — | — | — | — | — | — | — | — | — | — |
| Bit manipulation | | — | B | B | — | — | — | B | — | — | — | — | — | — |
| Branch | Bcc, BSR | — | — | — | — | — | — | — | — | — | ○ | ○ | — | — |
| | JMP, JSR | — | — | ○ | — | — | — | — | — | ○ | — | — | ○ | — |
| | RTS | — | — | — | — | — | — | — | — | — | — | — | — | ○ |

| Function | Instruction | Addressing Modes | | | | | | | | | | | | |
|---------------------|-----------------|------------------|----|------|-------------|--------------|-------------|-------|--------|--------|------------|------------|--------|---------|
| | | #xx | Rn | @ERn | @(d:16,ERn) | @(d:24, ERn) | @ERn+/@-ERn | @aa:8 | @aa:16 | @aa:24 | @(d:8, PC) | @(d:16,PC) | @@aa:8 | Implied |
| System control | TRAPA | — | — | — | — | — | — | — | — | — | — | — | — | ○ |
| | RTE | — | — | — | — | — | — | — | — | — | — | — | — | ○ |
| | SLEEP | — | — | — | — | — | — | — | — | — | — | — | — | ○ |
| | LDC | B | B | W | W | W | W | — | W | W | — | — | — | — |
| | STC | — | B | W | W | W | W | — | W | W | — | — | — | — |
| | ANDC, ORC, XORC | B | — | — | — | — | — | — | — | — | — | — | — | — |
| | NOP | — | — | — | — | — | — | — | — | — | — | — | — | ○ |
| Block data transfer | | — | — | — | — | — | — | — | — | — | — | — | — | BW |

Legend:

B: Byte

W: Word

L: Longword

2.6.3 Tables of Instructions Classified by Function

Tables 2.3 to 2.10 summarize the instructions in each functional category. The operation notation used in these tables is defined as follows.

Operation Notation

| | |
|---------------|--|
| Rd | General register (destination)* |
| Rs | General register (source)* |
| Rn | General register* |
| ERn | General register (32-bit register or address register) |
| (EAd) | Destination operand |
| (EAs) | Source operand |
| CCR | Condition code register |
| N | N (negative) flag of CCR |
| Z | Z (zero) flag of CCR |
| V | V (overflow) flag of CCR |
| C | C (carry) flag of CCR |
| PC | Program counter |
| SP | Stack pointer |
| #IMM | Immediate data |
| disp | Displacement |
| + | Addition |
| – | Subtraction |
| × | Multiplication |
| ÷ | Division |
| ^ | Logical AND |
| ∨ | Logical OR |
| ⊕ | Exclusive logical OR |
| → | Move |
| ¬ | NOT (logical complement) |
| :3/:8/:16/:24 | 3-, 8-, 16-, or 24-bit length |

Note: * General registers include 8-bit registers (R0H to R7H, R0L to R7L), 16-bit registers (R0 to R7, E0 to E7), and 32-bit data or address registers (ER0 to ER7).

Table 2.3 Data Transfer Instructions

| Instruction | Size* | Function |
|--------------------|--------------|---|
| MOV | B/W/L | (EAs) → Rd, Rs → (EAd) Moves data between two general registers or between a general register and memory, or moves immediate data to a general register. |
| MOVFP | B | (EAs) → Rd Cannot be used in the H8/3039 Group. |
| MOVTPE | B | Rs → (EAs) Cannot be used in the H8/3039 Group. |
| POP | W/L | @SP+ → Rn Pops a general register from the stack. POP.W Rn is identical to MOV.W @SP+, Rn. Similarly, POP.L ERn is identical to MOV.L @SP+, ERn. |
| PUSH | W/L | Rn → @-SP Pushes a general register onto the stack. PUSH.W Rn is identical to MOV.W Rn, @-SP. Similarly, PUSH.L ERn is identical to MOV.L ERn, @-SP. |

Note: * Size refers to the operand size.

B: Byte

W: Word

L: Longword

Table 2.4 Arithmetic Operation Instructions

| Instruction | Size* | Function |
|--------------------|--------------|--|
| ADD, SUB | B/W/L | $Rd \pm Rs \rightarrow Rd$, $Rd \pm \#IMM \rightarrow Rd$ Performs addition or subtraction on data in two general registers, or on immediate data and data in a general register. (Immediate byte data cannot be subtracted from data in a general register. Use the SUBX or ADD instruction.) |
| ADDX, SUBX | B | $Rd \pm Rs \pm C \rightarrow Rd$, $Rd \pm \#IMM \pm C \rightarrow Rd$ Performs addition or subtraction with carry on data in two general registers, or on immediate data and data in a general register. |
| INC, DEC | B/W/L | $Rd \pm 1 \rightarrow Rd$, $Rd \pm 2 \rightarrow Rd$ Increments or decrements a general register by 1 or 2. (Byte operands can be incremented or decremented by 1 only.) |
| ADDS, SUBS | L | $Rd \pm 1 \rightarrow Rd$, $Rd \pm 2 \rightarrow Rd$, $Rd \pm 4 \rightarrow Rd$ Adds or subtracts the value 1, 2, or 4 to or from data in a 32-bit register. |
| DAA, DAS | B | Rd decimal adjust $\rightarrow Rd$ Decimal-adjusts an addition or subtraction result in a general register by referring to CCR to produce 4-bit BCD data. |
| MULXU | B/W | $Rd \times Rs \rightarrow Rd$ Performs unsigned multiplication on data in two general registers: either 8 bits \times 8 bits \rightarrow 16 bits or 16 bits \times 16 bits \rightarrow 32 bits. |
| MULXS | B/W | $Rd \times Rs \rightarrow Rd$ Performs signed multiplication on data in two general registers: either 8 bits \times 8 bits \rightarrow 16 bits or 16 bits \times 16 bits \rightarrow 32 bits. |

Note: * Size refers to the operand size.

- B: Byte
- W: Word
- L: Longword

| Instruction | Size* | Function |
|-------------|-------|---|
| DIVXU | B/W | $Rd \div Rs \rightarrow Rd$ Performs unsigned division on data in two general registers: either 16 bits \div 8 bits \rightarrow 8-bit quotient and 8-bit remainder or 32 bits \div 16 bits \rightarrow 16-bit quotient and 16-bit remainder. |
| DIVXS | B/W | $Rd \div Rs \rightarrow Rd$ Performs signed division on data in two general registers: either 16 bits \div 8 bits \rightarrow 8-bit quotient and 8-bit remainder, or 32 bits \div 16 bits \rightarrow 16-bit quotient and 16-bit remainder. |
| CMP | B/W/L | $Rd - Rs, Rd - \#IMM$ Compares data in a general register with data in another general register or with immediate data, and sets CCR according to the result. |
| NEG | B/W/L | $0 - Rd \rightarrow Rd$ Takes the two's complement (arithmetic complement) of data in a general register. |
| EXTS | W/L | Rd (sign extension) $\rightarrow Rd$ Extends byte data in the lower 8 bits of a 16-bit register to word data, or extends word data in the lower 16 bits of a 32-bit register to longword data, by extending the sign bit. |
| EXTU | W/L | Rd (zero extension) $\rightarrow Rd$ Extends byte data in the lower 8 bits of a 16-bit register to word data, or extends word data in the lower 16 bits of a 32-bit register to longword data, by padding with zeros. |

Note: * Size refers to the operand size.

B: Byte

W: Word

L: Longword

Table 2.5 Logic Operation Instructions

| Instruction | Size* | Function |
|--------------------|--------------|--|
| AND | B/W/L | $Rd \wedge Rs \rightarrow Rd, Rd \wedge \#IMM \rightarrow Rd$ Performs a logical AND operation on a general register and another general register or immediate data. |
| OR | B/W/L | $Rd \vee Rs \rightarrow Rd, Rd \vee \#IMM \rightarrow Rd$ Performs a logical OR operation on a general register and another general register or immediate data. |
| XOR | B/W/L | $Rd \oplus Rs \rightarrow Rd, Rd \oplus \#IMM \rightarrow Rd$ Performs a logical exclusive OR operation on a general register and another general register or immediate data. |
| NOT | B/W/L | $\neg Rd \rightarrow Rd$ Takes the one's complement of general register contents. |

Note: * Size refers to the operand size.

B: Byte

W: Word

L: Longword

Table 2.6 Shift Instructions

| Instruction | Size* | Function |
|--------------------|--------------|---|
| SHAL, SHAR | B/W/L | $Rd \text{ (shift)} \rightarrow Rd$ Performs an arithmetic shift on general register contents. |
| SHLL, SHLR | B/W/L | $Rd \text{ (shift)} \rightarrow Rd$ Performs a logical shift on general register contents. |
| ROTL, ROTR | B/W/L | $Rd \text{ (rotate)} \rightarrow Rd$ Rotates general register contents. |
| ROTXL, ROTXR | B/W/L | $Rd \text{ (rotate)} \rightarrow Rd$ Rotates general register contents through the carry bit. |

Note: * Size refers to the operand size.

B: Byte

W: Word

L: Longword

Table 2.7 Bit Manipulation Instructions

| Instruction | Size* | Function |
|--------------------|--------------|--|
| BSET | B | $1 \rightarrow (\text{<bit-No.> of <EAd>})$ Sets a specified bit in a general register or memory operand to 1. The bit number is specified by 3-bit immediate data or the lower 3 bits of a general register. |
| BCLR | B | $0 \rightarrow (\text{<bit-No.> of <EAd>})$ Clears a specified bit in a general register or memory operand to 0. The bit number is specified by 3-bit immediate data or the lower 3 bits of a general register. |
| BNOT | B | $\neg (\text{<bit-No.> of <EAd>}) \rightarrow (\text{<bit-No.> of <EAd>})$ Inverts a specified bit in a general register or memory operand. The bit number is specified by 3-bit immediate data or the lower 3 bits of a general register. |
| BTST | B | $\neg (\text{<bit-No.> of <EAd>}) \rightarrow Z$ Tests a specified bit in a general register or memory operand and sets or clears the Z flag accordingly. The bit number is specified by 3-bit immediate data or the lower 3 bits of a general register. |
| BAND | B | $C \wedge (\text{<bit-No.> of <EAd>}) \rightarrow C$ ANDs the carry flag with a specified bit in a general register or memory operand and stores the result in the carry flag. |
| BIAND | B | $C \wedge [\neg (\text{<bit-No.> of <EAd>})] \rightarrow C$ ANDs the carry flag with the inverse of a specified bit in a general register or memory operand and stores the result in the carry flag. The bit number is specified by 3-bit immediate data. |
| BOR | B | $C \vee (\text{<bit-No.> of <EAd>}) \rightarrow C$ ORs the carry flag with a specified bit in a general register or memory operand and stores the result in the carry flag. |
| BIOR | B | $C \vee [\neg (\text{<bit-No.> of <EAd>})] \rightarrow C$ ORs the carry flag with the inverse of a specified bit in a general register or memory operand and stores the result in the carry flag. The bit number is specified by 3-bit immediate data. |

| Instruction | Size* | Function |
|-------------|-------|--|
| BXOR | B | $C \oplus (\text{<bit-No.> of <EAd>}) \rightarrow C$ Exclusive-ORs the carry flag with a specified bit in a general register or memory operand and stores the result in the carry flag. |
| BIXOR | B | $C \oplus [\neg (\text{<bit-No.> of <EAd>})] \rightarrow C$ Exclusive-ORs the carry flag with the inverse of a specified bit in a general register or memory operand and stores the result in the carry flag. The bit number is specified by 3-bit immediate data. |
| BLD | B | $(\text{<bit-No.> of <EAd>}) \rightarrow C$ Transfers a specified bit in a general register or memory operand to the carry flag. |
| BILD | B | $\neg (\text{<bit-No.> of <EAd>}) \rightarrow C$ Transfers the inverse of a specified bit in a general register or memory operand to the carry flag. The bit number is specified by 3-bit immediate data. |
| BST | B | $C \rightarrow (\text{<bit-No.> of <EAd>})$ Transfers the carry flag value to a specified bit in a general register or memory operand. |
| BIST | B | $C \rightarrow \neg (\text{<bit-No.> of <EAd>})$ Transfers the inverse of the carry flag value to a specified bit in a general register or memory operand. The bit number is specified by 3-bit immediate data. |

Note: * Size refers to the operand size.

B: Byte

Table 2.8 Branching Instructions

| Instruction | Size | Function | | | | | | | | | | | | | | | | | | | | | | | | | | | | | | | | | | | | | | | | | | | | | | | | | | | |
|--------------------|----------------------------|---|-----------------|--------------------|------------------|----------|---------------|--------|----------|---------------|-------|-----|------|----------------|-----|-------------|----------------|-----------|----------------------------|---------|-----------|-----------------|---------|-----|-----------|---------|-----|-------|---------|-----|----------------|---------|-----|--------------|---------|-----|------|---------|-----|-------|---------|-----|------------------|------------------|-----|-----------|------------------|-----|--------------|---------------------------|-----|---------------|---------------------------|
| Bcc | — | Branches to a specified address if a specified condition is true. The branching conditions are listed below. | | | | | | | | | | | | | | | | | | | | | | | | | | | | | | | | | | | | | | | | | | | | | | | | | | | |
| | | <table border="1"> <thead> <tr> <th>Mnemonic</th> <th>Description</th> <th>Condition</th> </tr> </thead> <tbody> <tr> <td>BRA (BT)</td> <td>Always (true)</td> <td>Always</td> </tr> <tr> <td>BRN (BF)</td> <td>Never (false)</td> <td>Never</td> </tr> <tr> <td>BHI</td> <td>High</td> <td>$C \vee Z = 0$</td> </tr> <tr> <td>BLS</td> <td>Low or same</td> <td>$C \vee Z = 1$</td> </tr> <tr> <td>Bcc (BHS)</td> <td>Carry clear (high or same)</td> <td>$C = 0$</td> </tr> <tr> <td>BCS (BLO)</td> <td>Carry set (low)</td> <td>$C = 1$</td> </tr> <tr> <td>BNE</td> <td>Not equal</td> <td>$Z = 0$</td> </tr> <tr> <td>BEQ</td> <td>Equal</td> <td>$Z = 1$</td> </tr> <tr> <td>BVC</td> <td>Overflow clear</td> <td>$V = 0$</td> </tr> <tr> <td>BVS</td> <td>Overflow set</td> <td>$V = 1$</td> </tr> <tr> <td>BPL</td> <td>Plus</td> <td>$N = 0$</td> </tr> <tr> <td>BMI</td> <td>Minus</td> <td>$N = 1$</td> </tr> <tr> <td>BGE</td> <td>Greater or equal</td> <td>$N \oplus V = 0$</td> </tr> <tr> <td>BLT</td> <td>Less than</td> <td>$N \oplus V = 1$</td> </tr> <tr> <td>BGT</td> <td>Greater than</td> <td>$Z \vee (N \oplus V) = 0$</td> </tr> <tr> <td>BLE</td> <td>Less or equal</td> <td>$Z \vee (N \oplus V) = 1$</td> </tr> </tbody> </table> | Mnemonic | Description | Condition | BRA (BT) | Always (true) | Always | BRN (BF) | Never (false) | Never | BHI | High | $C \vee Z = 0$ | BLS | Low or same | $C \vee Z = 1$ | Bcc (BHS) | Carry clear (high or same) | $C = 0$ | BCS (BLO) | Carry set (low) | $C = 1$ | BNE | Not equal | $Z = 0$ | BEQ | Equal | $Z = 1$ | BVC | Overflow clear | $V = 0$ | BVS | Overflow set | $V = 1$ | BPL | Plus | $N = 0$ | BMI | Minus | $N = 1$ | BGE | Greater or equal | $N \oplus V = 0$ | BLT | Less than | $N \oplus V = 1$ | BGT | Greater than | $Z \vee (N \oplus V) = 0$ | BLE | Less or equal | $Z \vee (N \oplus V) = 1$ |
| Mnemonic | Description | Condition | | | | | | | | | | | | | | | | | | | | | | | | | | | | | | | | | | | | | | | | | | | | | | | | | | | |
| BRA (BT) | Always (true) | Always | | | | | | | | | | | | | | | | | | | | | | | | | | | | | | | | | | | | | | | | | | | | | | | | | | | |
| BRN (BF) | Never (false) | Never | | | | | | | | | | | | | | | | | | | | | | | | | | | | | | | | | | | | | | | | | | | | | | | | | | | |
| BHI | High | $C \vee Z = 0$ | | | | | | | | | | | | | | | | | | | | | | | | | | | | | | | | | | | | | | | | | | | | | | | | | | | |
| BLS | Low or same | $C \vee Z = 1$ | | | | | | | | | | | | | | | | | | | | | | | | | | | | | | | | | | | | | | | | | | | | | | | | | | | |
| Bcc (BHS) | Carry clear (high or same) | $C = 0$ | | | | | | | | | | | | | | | | | | | | | | | | | | | | | | | | | | | | | | | | | | | | | | | | | | | |
| BCS (BLO) | Carry set (low) | $C = 1$ | | | | | | | | | | | | | | | | | | | | | | | | | | | | | | | | | | | | | | | | | | | | | | | | | | | |
| BNE | Not equal | $Z = 0$ | | | | | | | | | | | | | | | | | | | | | | | | | | | | | | | | | | | | | | | | | | | | | | | | | | | |
| BEQ | Equal | $Z = 1$ | | | | | | | | | | | | | | | | | | | | | | | | | | | | | | | | | | | | | | | | | | | | | | | | | | | |
| BVC | Overflow clear | $V = 0$ | | | | | | | | | | | | | | | | | | | | | | | | | | | | | | | | | | | | | | | | | | | | | | | | | | | |
| BVS | Overflow set | $V = 1$ | | | | | | | | | | | | | | | | | | | | | | | | | | | | | | | | | | | | | | | | | | | | | | | | | | | |
| BPL | Plus | $N = 0$ | | | | | | | | | | | | | | | | | | | | | | | | | | | | | | | | | | | | | | | | | | | | | | | | | | | |
| BMI | Minus | $N = 1$ | | | | | | | | | | | | | | | | | | | | | | | | | | | | | | | | | | | | | | | | | | | | | | | | | | | |
| BGE | Greater or equal | $N \oplus V = 0$ | | | | | | | | | | | | | | | | | | | | | | | | | | | | | | | | | | | | | | | | | | | | | | | | | | | |
| BLT | Less than | $N \oplus V = 1$ | | | | | | | | | | | | | | | | | | | | | | | | | | | | | | | | | | | | | | | | | | | | | | | | | | | |
| BGT | Greater than | $Z \vee (N \oplus V) = 0$ | | | | | | | | | | | | | | | | | | | | | | | | | | | | | | | | | | | | | | | | | | | | | | | | | | | |
| BLE | Less or equal | $Z \vee (N \oplus V) = 1$ | | | | | | | | | | | | | | | | | | | | | | | | | | | | | | | | | | | | | | | | | | | | | | | | | | | |
| JMP | — | Branches unconditionally to a specified address | | | | | | | | | | | | | | | | | | | | | | | | | | | | | | | | | | | | | | | | | | | | | | | | | | | |
| BSR | — | Branches to a subroutine at a specified address | | | | | | | | | | | | | | | | | | | | | | | | | | | | | | | | | | | | | | | | | | | | | | | | | | | |
| JSR | — | Branches to a subroutine at a specified address | | | | | | | | | | | | | | | | | | | | | | | | | | | | | | | | | | | | | | | | | | | | | | | | | | | |
| RTS | — | Returns from a subroutine | | | | | | | | | | | | | | | | | | | | | | | | | | | | | | | | | | | | | | | | | | | | | | | | | | | |

Table 2.9 System Control Instructions

| Instruction | Size* | Function |
|--------------------|--------------|--|
| TRAPA | — | Starts trap-instruction exception handling |
| RTE | — | Returns from an exception-handling routine |
| SLEEP | — | Causes a transition to the power-down state |
| LDC | B/W | (EAs) → CCR Moves the source operand contents to the condition code register. The condition code register size is one byte, but in transfer from memory, data is read by word access. |
| STC | B/W | CCR → (EAd) Transfers the CCR contents to a destination location. The condition code register size is one byte, but in transfer to memory, data is written by word access. |
| ANDC | B | CCR ∧ #IMM → CCR Logically ANDs the condition code register with immediate data. |
| ORC | B | CCR ∨ #IMM → CCR Logically ORs the condition code register with immediate data. |
| XORC | B | CCR ⊕ #IMM → CCR Logically exclusive-ORs the condition code register with immediate data. |
| NOP | — | PC + 2 → PC Only increments the program counter. |

Note: * Size refers to the operand size.

B: Byte

W: Word

Table 2.10 Block Transfer Instruction

| Instruction | Size | Function |
|--------------------|-------------|---|
| EEPMOV.B | — | if R4L \neq 0 then repeat @ER5+ \rightarrow @ER6+, R4L - 1 \rightarrow R4L until R4L = 0 else next; |
| EEPMOV.W | | if R4 \neq 0 then repeat @ER5+ \rightarrow @ER6+, R4 - 1 \rightarrow R4 until R4 = 0 else next; |
| | | Transfers a data block according to parameters set in general registers R4L or R4, ER5, and ER6. R4L or R4: Size of block (bytes) ER5: Starting source address ER6: Starting destination address Execution of the next instruction begins as soon as the transfer is completed. |

2.6.4 Basic Instruction Formats

The H8/300H instructions consist of 2-byte (1-word) units. An instruction consists of an operation field (OP field), a register field (r field), an effective address extension (EA field), and a condition field (cc).

Operation Field: Indicates the function of the instruction, the addressing mode, and the operation to be carried out on the operand. The operation field always includes the first 4 bits of the instruction. Some instructions have two operation fields.

Register Field: Specifies a general register. Address registers are specified by 3 bits, data registers by 3 bits or 4 bits. Some instructions have two register fields. Some have no register field.

Effective Address Extension: Eight, 16, or 32 bits specifying immediate data, an absolute address, or a displacement. A 24-bit address or displacement is treated as 32-bit data in which the first 8 bits are 0 (H'00).

Condition Field: Specifies the branching condition of Bcc instructions.

Figure 2.9 shows examples of instruction formats.

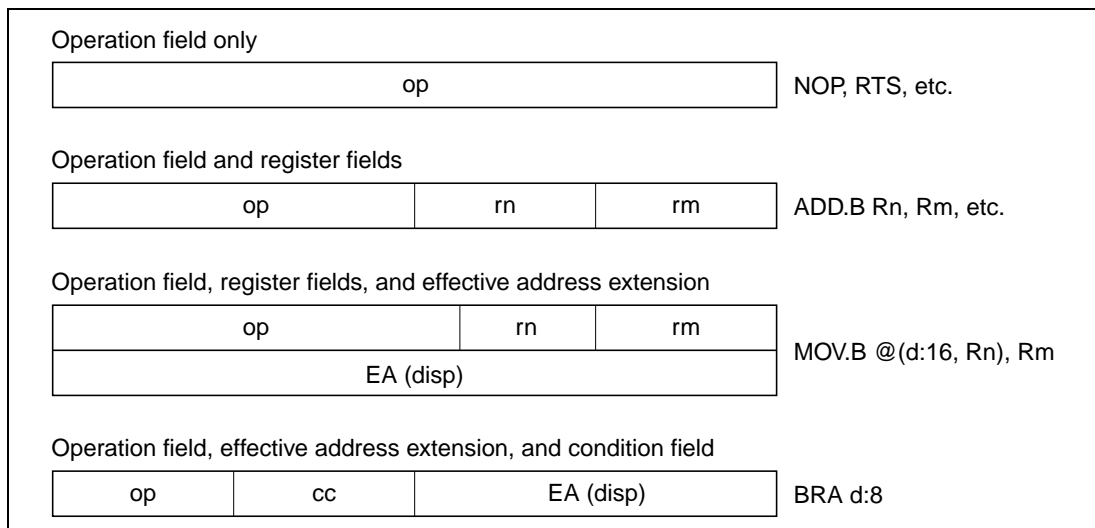


Figure 2.9 Instruction Formats

2.6.5 Notes on Use of Bit Manipulation Instructions

The BSET, BCLR, BNOT, BST, and BIST instructions read a byte of data, modify a bit in the byte, then write the byte back. Care is required when these instructions are used to access registers with write-only bits, or to access ports.

The BCLR instruction can be used to clear flags in the on-chip registers. In an interrupt-handling routine, for example, if it is known that the flag is set to 1, it is not necessary to read the flag ahead of time.

2.7 Addressing Modes and Effective Address Calculation

2.7.1 Addressing Modes

The H8/300H CPU supports the eight addressing modes listed in table 2.11. Each instruction uses a subset of these addressing modes. Arithmetic and logic instructions can use the register direct and immediate modes. Data transfer instructions can use all addressing modes except program-counter relative and memory indirect. Bit manipulation instructions use register direct, register indirect, or absolute (@aa:8) addressing mode to specify an operand, and register direct (BSET,

BCLR, BNOT, and BTST instructions) or immediate (3-bit) addressing mode to specify a bit number in the operand.

Table 2.11 Addressing Modes

| No. | Addressing Mode | Symbol |
|-----|---|--------------------------|
| 1 | Register direct | Rn |
| 2 | Register indirect | @ERn |
| 3 | Register indirect with displacement | @(d:16, ERn)/@d:24, ERn) |
| 4 | Register indirect with post-increment Register indirect with pre-decrement | @Ern+ @-ERn |
| 5 | Absolute address | @aa:8/@aa:16/@aa:24 |
| 6 | Immediate | #xx:8/#xx:16/#xx:32 |
| 7 | Program-counter relative | @(d:8, PC)/@(d:16, PC) |
| 8 | Memory indirect | @@aa:8 |

1. Register Direct—Rn

The register field of the instruction code specifies an 8-, 16-, or 32-bit register containing the operand. R0H to R7H and R0L to R7L can be specified as 8-bit registers. R0 to R7 and E0 to E7 can be specified as 16-bit registers. ER0 to ER7 can be specified as 32-bit registers.

2. Register Indirect—@ERn

The register field of the instruction code specifies an address register (ERn), the lower 24 bits of which contain the address of the operand.

3. Register Indirect with Displacement—@(d:16, ERn) or @d:24, ERn)

A 16-bit or 24-bit displacement contained in the instruction code is added to the contents of an address register (ERn) specified by the register field of the instruction, and the lower 24 bits of the sum specify the address of a memory operand. A 16-bit displacement is sign-extended when added.

4. Register Indirect with Post-Increment or Pre-Decrement—@ERn+ or @-ERn

- Register indirect with post-increment—@ERn+

The register field of the instruction code specifies an address register (ERn) the lower 24 bits of which contain the address of a memory operand. After the operand is accessed, 1, 2, or 4 is added to the address register contents (32 bits) and the sum is stored in the address register. The value added is 1 for byte access, 2 for word access, or 4 for longword access. For word or longword access, the register value should be even.

- Register indirect with pre-decrement—@-ERn

The value 1, 2, or 4 is subtracted from an address register (ERn) specified by the register field in the instruction code, and the lower 24 bits of the result become the address of a memory operand. The result is also stored in the address register. The value subtracted is 1 for byte access, 2 for word access, or 4 for longword access. For word or longword access, the resulting register value should be even.

5. Absolute Address—@aa:8, @aa:16, or @aa:24

The instruction code contains the absolute address of a memory operand. The absolute address may be 8 bits long (@aa:8), 16 bits long (@aa:16), or 24 bits long (@aa:24). For an 8-bit absolute address, the upper 16 bits are all assumed to be 1 (H'FFFF). For a 16-bit absolute address the upper 8 bits are a sign extension. A 24-bit absolute address can access the entire address space. Table 2.12 indicates the accessible address ranges.

Table 2.12 Absolute Address Access Ranges

| Absolute Address | 1-Mbyte Modes | 16-Mbyte Modes |
|-------------------------|---|---|
| 8 bits (@aa:8) | H'FFF00 to H'FFFFF (1,048,320 to 1,048,575) | H'FFFF00 to H'FFFFFFF (16,776,960 to 16,777,215) |
| 16 bits (@aa:16) | H'00000 to H'07FFF, H'F8000 to H'FFFFFF (0 to 32,767, 1,015,808 to 1,048,575) | H'000000 to H'007FFF, H'FF8000 to H'FFFFFFF (0 to 32,767, 16,744,448 to 16,777,215) |
| 24 bits (@aa:24) | H'00000 to H'FFFFFF (0 to 1,048,575) | H'000000 to H'FFFFFFF (0 to 16,777,215) |

6. Immediate—#xx:8, #xx:16, or #xx:32

The instruction code contains 8-bit (#xx:8), 16-bit (#xx:16), or 32-bit (#xx:32) immediate data as an operand.

The instruction codes of the ADDS, SUBS, INC, and DEC instructions contain immediate data implicitly. The instruction codes of some bit manipulation instructions contain 3-bit immediate data specifying a bit number. The TRAPA instruction code contains 2-bit immediate data specifying a vector address.

7. Program-Counter Relative—@(d:8, PC) or @(d:16, PC)

This mode is used in the Bcc and BSR instructions. An 8-bit or 16-bit displacement contained in the instruction code is sign-extended to 24 bits and added to the 24-bit PC contents to generate a 24-bit branch address. The PC value to which the displacement is added is the address of the first byte of the next instruction, so the possible branching range is -126 to $+128$ bytes (-63 to $+64$ words) or -32766 to $+32768$ bytes (-16383 to $+16384$ words) from the branch instruction. The resulting value should be an even number.

8. Memory Indirect—@@aa:8

This mode can be used by the JMP and JSR instructions. The instruction code contains an 8-bit absolute address specifying a memory operand. This memory operand contains a branch address. The memory operand is accessed by longword access. The first byte of the memory operand is ignored, generating a 24-bit branch address. See figure 2.10. The upper bits of the 8-bit absolute address are assumed to be 0 (H'0000), so the address range is 0 to 255 (H'000000 to H'0000FF). Note that the first part of this range is also the exception vector area. For further details see section 5, Interrupt Controller.

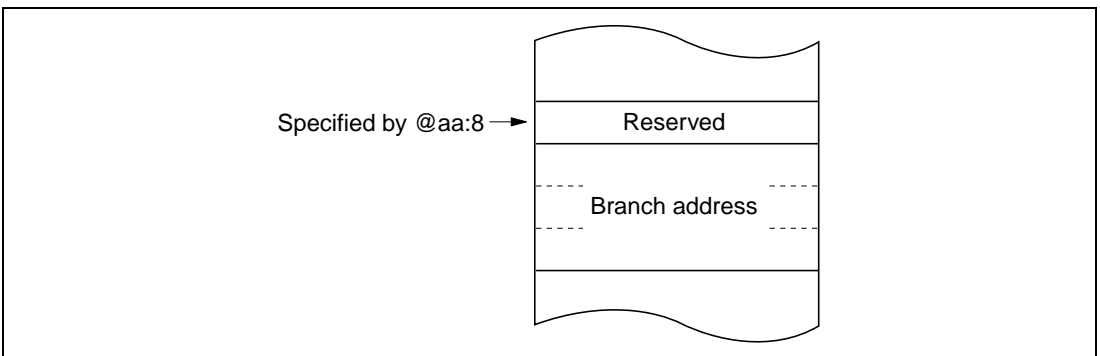


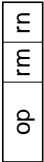
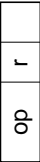
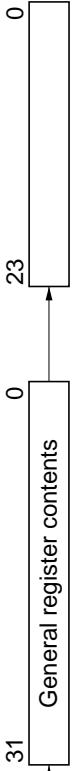
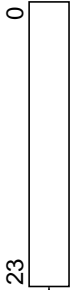

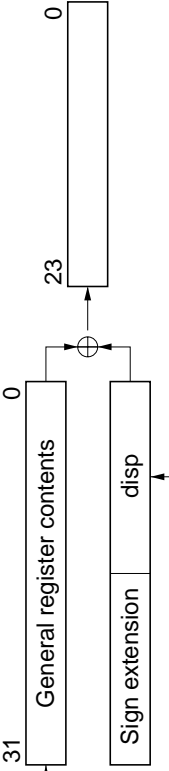
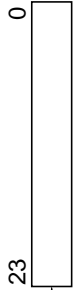
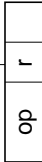
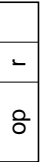
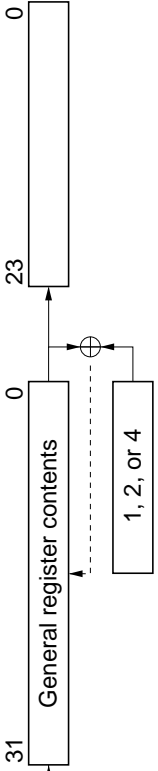
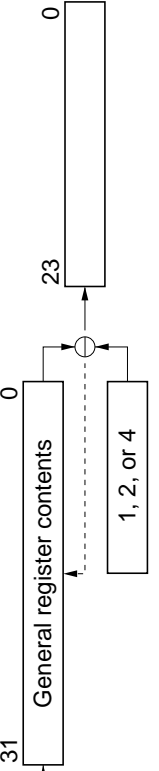


Figure 2.10 Memory-Indirect Branch Address Specification

When a word-size or longword-size memory operand is specified, or when a branch address is specified, if the specified memory address is odd, the least significant bit is regarded as 0. The accessed data or instruction code therefore begins at the preceding address. See section 2.5.2, Memory Data Formats.

2.7.2 Effective Address Calculation

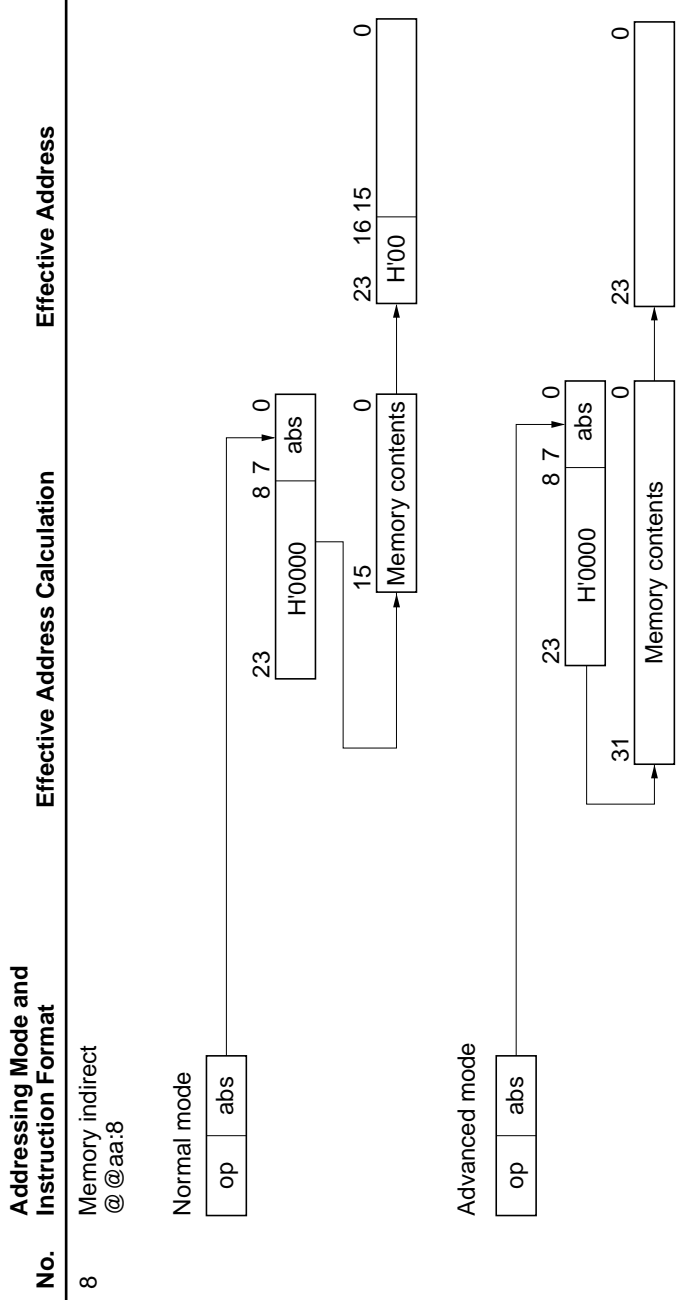
Table 2.13 explains how an effective address is calculated in each addressing mode. In the 1-Mbyte operating modes the upper 4 bits of the calculated address are ignored in order to generate a 20-bit effective address.

Table 2.13 Effective Address Calculation

| No. | Addressing Mode and Instruction Format | Effective Address Calculation | Effective Address |
|-----|---|---|--|
| 1 | Register direct (Rn)  | | Operand is general register contents |
| 2 | Register indirect (@ERn)  |  |  |
| 3 | Register indirect with displacement @ (d:16, ERn)/@(d:24, ERn)  |  |  |
| 4 | Register indirect with post-increment or pre-decrement Register indirect with post-increment @ERn+  Register indirect with pre-decrement @-ERn  |   |   |

1 for a byte operand, 2 for a word operand, 4 for a longword operand

| No. | Addressing Mode and Instruction Format | Effective Address Calculation | Effective Address |
|-----|---|-------------------------------|---|
| 5 | Absolute address @aa:8 | op abs | <div style="display: flex; align-items: center;"> <div style="border: 1px solid black; padding: 2px; margin-right: 5px;">23</div> <div style="border: 1px solid black; padding: 2px; flex-grow: 1;"> <div style="border-bottom: 1px solid black; padding: 2px;">HFFFFFF</div> <div style="border-bottom: 1px solid black; padding: 2px;">8 7</div> <div style="border-bottom: 1px solid black; padding: 2px;">0</div> </div> </div> |
| | @aa:16 | op abs | <div style="display: flex; align-items: center;"> <div style="border: 1px solid black; padding: 2px; margin-right: 5px;">23</div> <div style="border: 1px solid black; padding: 2px; flex-grow: 1;"> <div style="border-bottom: 1px solid black; padding: 2px;">Sign extension</div> <div style="border-bottom: 1px solid black; padding: 2px;">16 15</div> <div style="border-bottom: 1px solid black; padding: 2px;">0</div> </div> </div> |
| | @aa:24 | op abs | <div style="display: flex; align-items: center;"> <div style="border: 1px solid black; padding: 2px; margin-right: 5px;">23</div> <div style="border: 1px solid black; padding: 2px; flex-grow: 1;"> <div style="border-bottom: 1px solid black; padding: 2px;"></div> <div style="border-bottom: 1px solid black; padding: 2px;"></div> <div style="border-bottom: 1px solid black; padding: 2px;">0</div> </div> </div> |
| 6 | Immediate #xx:8, #xx:16, or #xx:32 | op IMM | Operand is immediate data |
| 7 | Program-counter relative @(d:8, PC) or @(d:16, PC) | op disp | <div style="display: flex; align-items: center; justify-content: center;"> <div style="border: 1px solid black; padding: 2px; margin-right: 10px;"> <div style="border-bottom: 1px solid black; padding: 2px;">23</div> <div style="border-bottom: 1px solid black; padding: 2px;">PC contents</div> <div style="border-bottom: 1px solid black; padding: 2px;">0</div> </div> <div style="margin: 0 10px;">⊕</div> <div style="border: 1px solid black; padding: 2px; margin-right: 10px;"> <div style="border-bottom: 1px solid black; padding: 2px;">23</div> <div style="border-bottom: 1px solid black; padding: 2px;">disp</div> <div style="border-bottom: 1px solid black; padding: 2px;">Sign extension</div> </div> <div style="margin-left: 10px;"> <div style="border: 1px solid black; padding: 2px; margin-right: 5px;">23</div> <div style="border: 1px solid black; padding: 2px; flex-grow: 1;"> <div style="border-bottom: 1px solid black; padding: 2px;"></div> <div style="border-bottom: 1px solid black; padding: 2px;"></div> <div style="border-bottom: 1px solid black; padding: 2px;">0</div> </div> </div> </div> |



Legend:

- r, rm, rn: Register field
- op: Operation field
- disp: Displacement
- IMM: Immediate data
- abs: Absolute address

2.8 Processing States

2.8.1 Overview

The H8/300H CPU has four processing states: the program execution state, exception-handling state, power-down state, and reset state. The power-down state includes sleep mode, software standby mode, and hardware standby mode. Figure 2.11 classifies the processing states. Figure 2.13 indicates the state transitions.

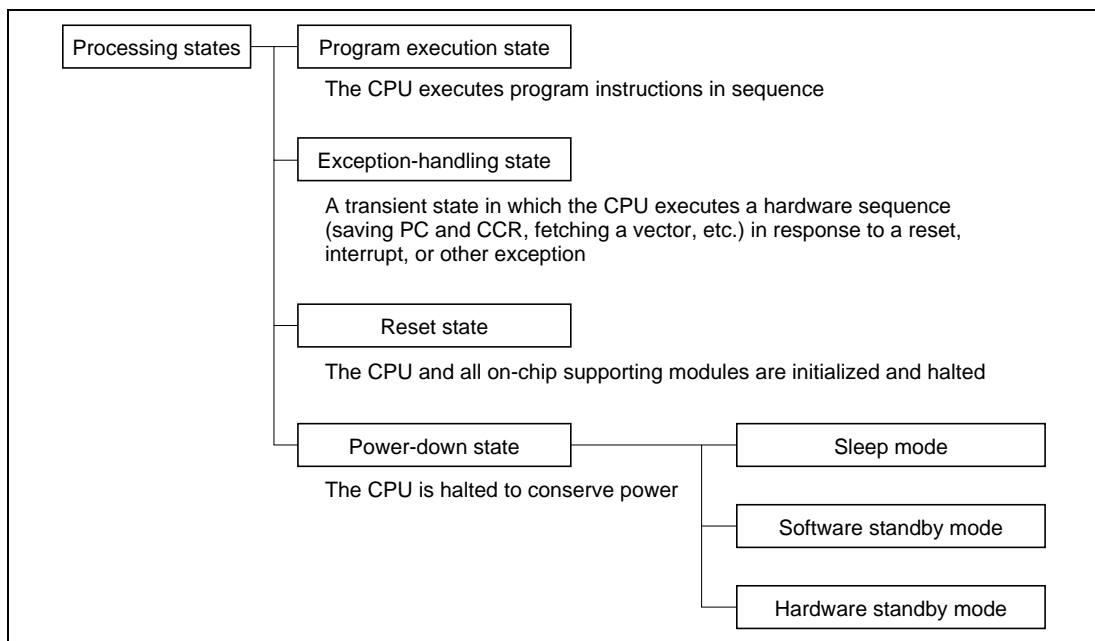


Figure 2.11 Processing States

2.8.2 Program Execution State


In this state the CPU executes program instructions in normal sequence.

2.8.3 Exception-Handling State

The exception-handling state is a transient state that occurs when the CPU alters the normal program flow due to a reset, interrupt, or trap instruction. The CPU fetches a starting address from the exception vector table and branches to that address. In interrupt and trap exception handling the CPU references the stack pointer (ER7) and saves the program counter and condition code register.

Types of Exception Handling and Their Priority: Exception handling is performed for resets, interrupts, and trap instructions. Table 2.14 indicates the types of exception handling and their priority. Trap instruction exceptions are accepted at all times in the program execution state.

Table 2.14 Exception Handling Types and Priority

| Priority | Type of Exception | Detection Timing | Start of Exception Handling |
|---|-------------------|--|--|
| High  | Reset | Synchronized with clock | Exception handling starts immediately when $\overline{\text{RES}}$ changes from low to high |
| | Interrupt | End of instruction execution or end of exception handling* | When an interrupt is requested, exception handling starts at the end of the current instruction or current exception-handling sequence |
| | Trap instruction | When TRAPA instruction is executed | Exception handling starts when a trap (TRAPA) instruction is executed |
| Low | | | |

Note: * Interrupts are not detected at the end of the ANDC, ORC, XORC, and LDC instructions, or immediately after reset exception handling.

Figure 2.12 classifies the exception sources. For further details about exception sources, vector numbers, and vector addresses, see section 4, Exception Handling, and section 5, Interrupt Controller.

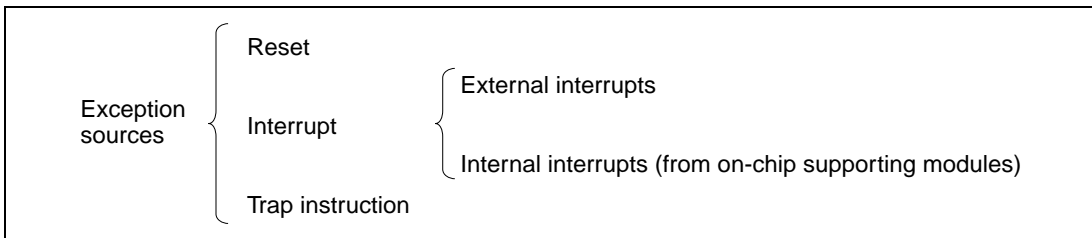


Figure 2.12 Classification of Exception Sources

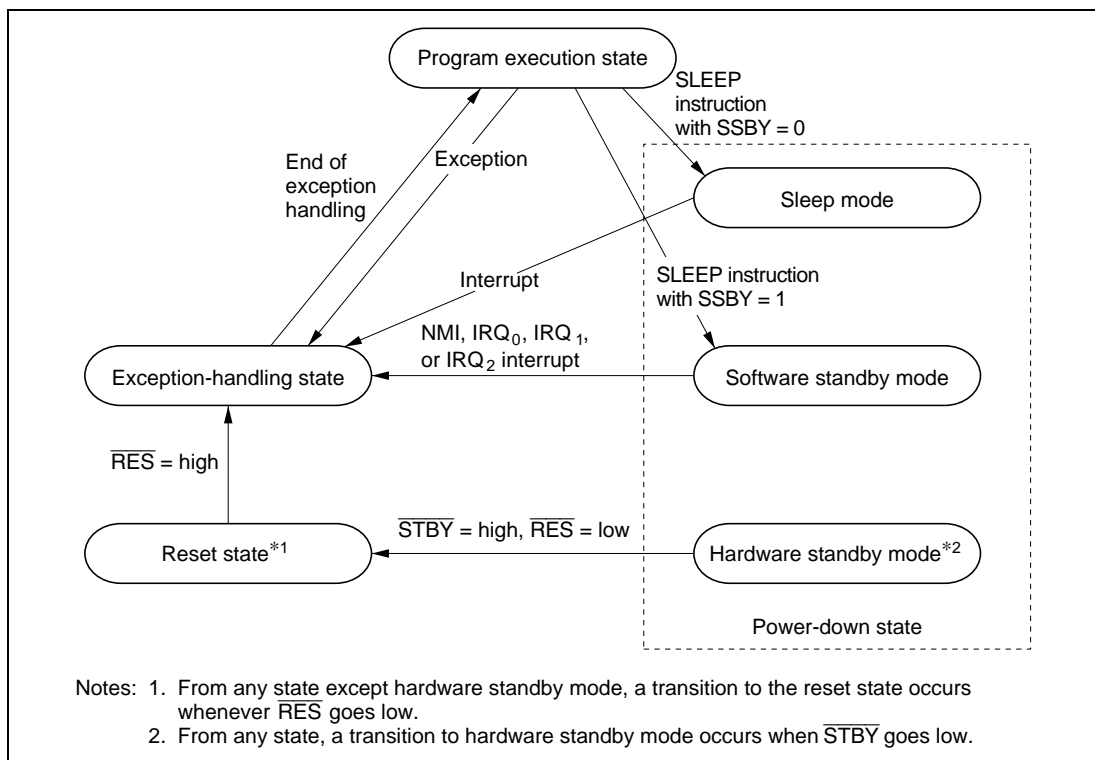


Figure 2.13 State Transitions

2.8.4 Exception-Handling Sequences

Reset Exception Handling: Reset exception handling has the highest priority. The reset state is entered when the \overline{RES} signal goes low. Reset exception handling starts after that, when \overline{RES} changes from low to high. When reset exception handling starts the CPU fetches a start address from the exception vector table and starts program execution from that address. All interrupts,

including NMI, are disabled during the reset exception-handling sequence and immediately after it ends.

Interrupt Exception Handling and Trap Instruction Exception Handling: When these exception-handling sequences begin, the CPU references the stack pointer (ER7) and pushes the program counter and condition code register on the stack. Next, if the UE bit in the system control register (SYSCR) is set to 1, the CPU sets this set to 1, the CPU sets the I bit in the condition code register to 1. If the UE bit is cleared to 0, the CPU sets both the I bit and the UI bit in the condition code register to 1. Then the CPU fetches a start address from the exception vector table and execution branches to that address.

Figure 2.14 shows the stack after the exception-handling sequence.

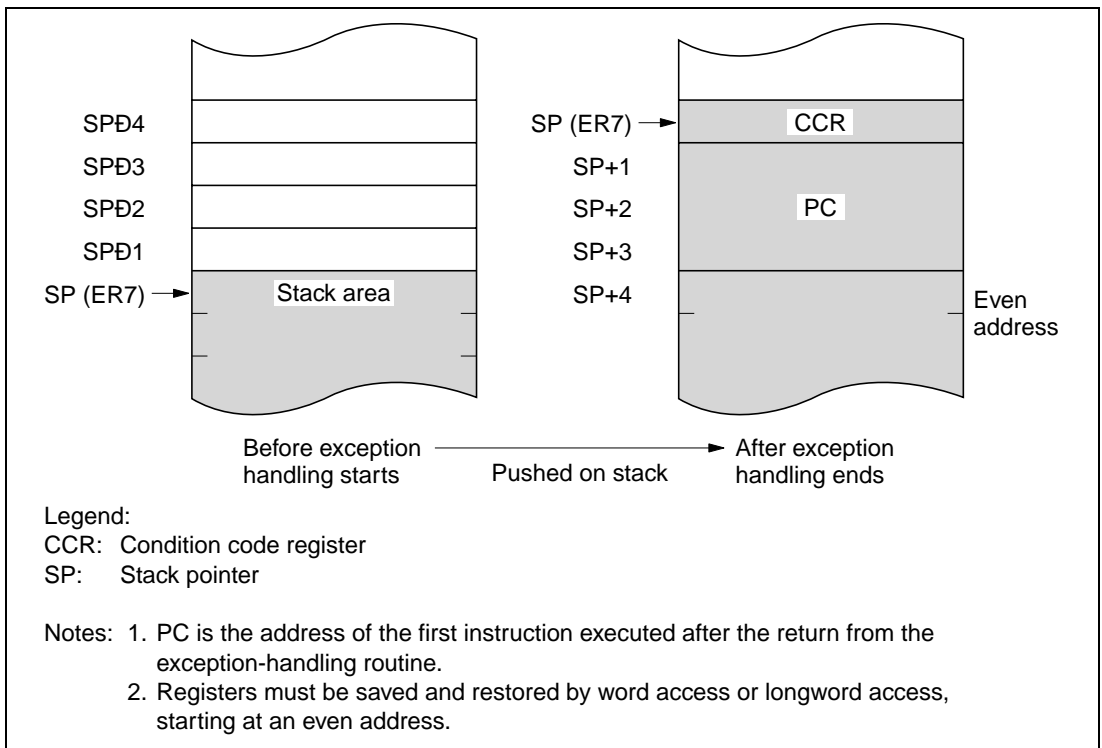


Figure 2.14 Stack Structure after Exception Handling

2.8.5 Reset State

When the $\overline{\text{RES}}$ input goes low all current processing stops and the CPU enters the reset state. The I bit in the condition code register is set to 1 by a reset. All interrupts are masked in the reset state. Reset exception handling starts when the $\overline{\text{RES}}$ signal changes from low to high.

The reset state can also be entered by a watchdog timer overflow. For details see section 10, Watchdog Timer.

2.8.6 Power-Down State

In the power-down state the CPU stops operating to conserve power. There are three modes: sleep mode, software standby mode, and hardware standby mode.

Sleep Mode: A transition to sleep mode is made if the SLEEP instruction is executed while the SSBY bit is cleared to 0 in the system control register (SYSCR). CPU operations stop immediately after execution of the SLEEP instruction, but the contents of CPU registers are retained.

Software Standby Mode: A transition to software standby mode is made if the SLEEP instruction is executed while the SSBY bit is set to 1 in SYSCR. The CPU and clock halt and all on-chip supporting modules stop operating. The on-chip supporting modules are reset, but as long as a specified voltage is supplied the contents of CPU registers and on-chip RAM are retained. The I/O ports also remain in their existing states.

Hardware Standby Mode: A transition to hardware standby mode is made when the $\overline{\text{STBY}}$ input goes low. As in software standby mode, the CPU and clock halt and the on-chip supporting modules are reset, but as long as a specified voltage is supplied, on-chip RAM contents are retained.

For further information see section 17, Power-Down State.

2.9 Basic Operational Timing

2.9.1 Overview

The H8/300H CPU operates according to the system clock (ϕ). The interval from one rise of the system clock to the next rise is referred to as a "state." A memory cycle or bus cycle consists of two or three states. The CPU uses different methods to access on-chip memory, the on-chip supporting modules, and the external address space. Access to the external address space can be controlled by the bus controller.

2.9.2 On-Chip Memory Access Timing

On-chip memory is accessed in two states. The data bus is 16 bits wide, permitting both byte and word access. Figure 2.15 shows the on-chip memory access cycle. Figure 2.16 indicates the pin states.

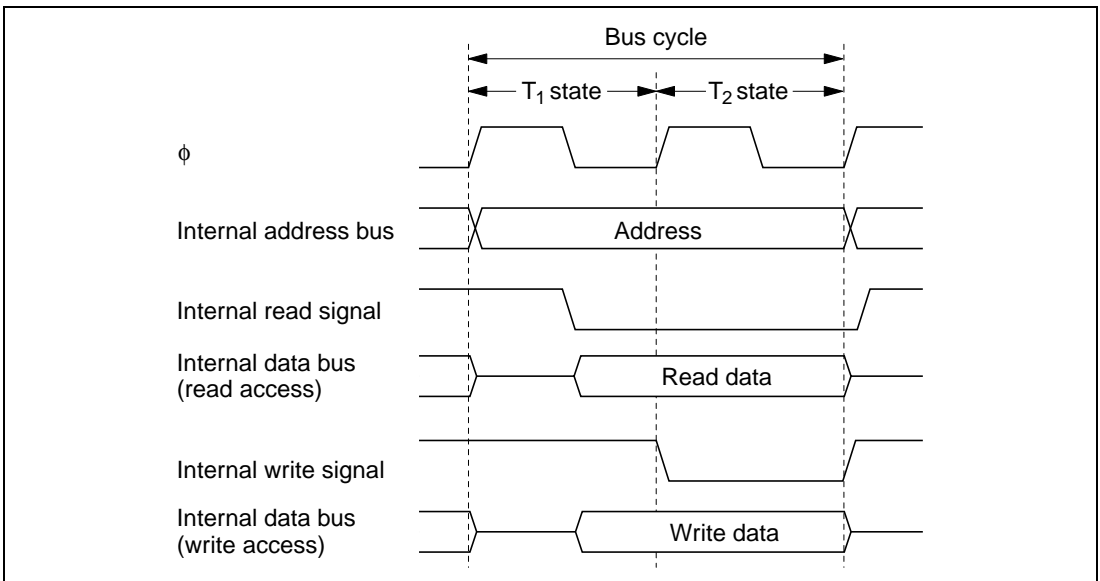


Figure 2.15 On-Chip Memory Access Cycle

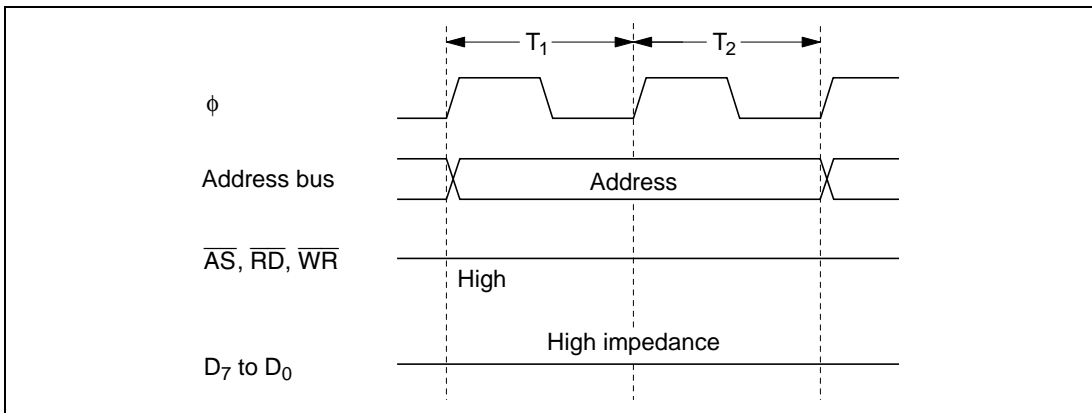


Figure 2.16 Pin States during On-Chip Memory Access

2.9.3 On-Chip Supporting Module Access Timing

The on-chip supporting modules are accessed in three states. The data bus is 8 or 16 bits wide, depending on the register being accessed. Figure 2.17 shows the on-chip supporting module access timing. Figure 2.18 indicates the pin states.

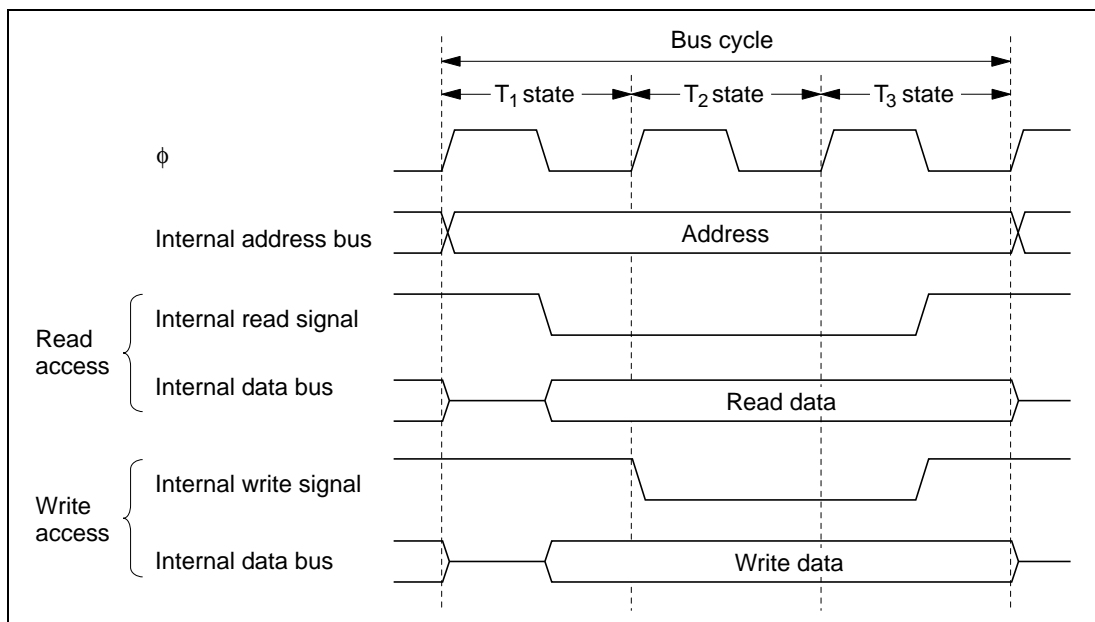


Figure 2.17 Access Cycle for On-Chip Supporting Modules

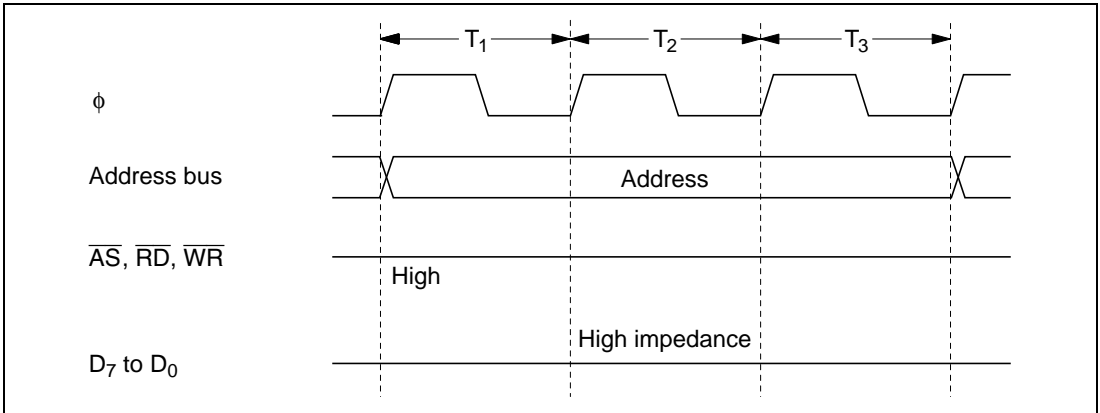


Figure 2.18 Pin States during Access to On-Chip Supporting Modules

2.9.4 Access to External Address Space

The external address space is divided into eight areas (areas 0 to 7). Bus-controller settings determine whether each area accessed in two or three states. For details see section 6, Bus Controller.

Section 3 MCU Operating Modes

3.1 Overview

3.1.1 Operating Mode Selection

The H8/3039 Group has five operating modes (modes 1, 3, 5 to 7) that are selected by the mode pins (MD_2 to MD_0) as indicated in table 3.1. The input at these pins determines expanded mode or single-chip mode.

Table 3.1 Operating Mode Selection

| Operating Mode | Mode Pins | | | Description | | | |
|----------------|-----------|--------|--------|---------------------------|--------------------------------|-------------|-----------------------|
| | MD_2 | MD_1 | MD_0 | Address Space | Initial Bus Mode* ¹ | On-Chip ROM | On-Chip RAM |
| — | 0 | 0 | 0 | — | — | — | — |
| Mode 1 | 0 | 0 | 1 | Expanded mode | 8 bits | Disabled | Enabled* ¹ |
| Mode 2 | 0 | 1 | 0 | — | — | — | — |
| Mode 3 | 0 | 1 | 1 | Expanded mode | 8 bits | Disabled | Enabled* ¹ |
| Mode 4 | 1 | 0 | 0 | — | — | — | — |
| Mode 5 | 1 | 0 | 1 | Expanded mode | 8 bits | Enabled | Enabled* ¹ |
| Mode 6 | 1 | 1 | 0 | Single-chip normal mode | — | Enabled | Enabled* ² |
| Mode 7 | 1 | 1 | 1 | Single-chip advanced mode | — | Enabled | Enabled* ² |

- Notes: 1. If the RAM enable bit (RAME) in the system control register (SYSCR) is cleared to 0, these addresses become external addresses.
2. In mode 6 and 7, clearing bit RAME in SYSCR to 0 and reading the on-chip RAM always return H'FF, and write access is ignored. For details, see section 14.3, Operation.

For the address space size there are three choices: 64 kbytes, 1 Mbyte, or 16 Mbytes.

Modes 1 and 3 are on-chip ROM disable expanded modes capable of accessing external memory and peripheral devices.

Mode 1 supports a maximum address space of 1 Mbyte.

Mode 3 supports a maximum address space of 16 Mbytes.

Mode 5 is externally expanded mode that enables access to external memory and peripheral devices and also enables access to the on-chip ROM. Mode 5 supports a maximum address space of 1 Mbyte.

Modes 6 and 7 are single-chip modes that operate using the on-chip ROM, RAM, and registers. All I/O ports are available. Mode 6 is a normal mode with 64-kbyte address space. Mode 7 is an advanced mode with a maximum address space of 1 Mbyte.

The H8/3039 Group can be used only in modes 1, 3, or 5 to 7. The inputs at the mode pins must select one of these seven modes. The inputs at the mode pins must not be changed during operation.

3.1.2 Register Configuration

The H8/3039 Group has a mode control register (MDCR) that indicates the inputs at the mode pins (MD_2 to MD_0), and a system control register (SYSCR). Table 3.2 summarizes these registers.

Table 3.2 Registers

| Address* | Name | Abbreviation | R/W | Initial Value |
|----------|-------------------------|--------------|-----|---------------|
| H'FFF1 | Mode control register | MDCR | R | Undetermined |
| H'FFF2 | System control register | SYSCR | R/W | H'0B |

Note: * The lower 16 bits of the address are indicated.

3.2 Mode Control Register (MDCR)

MDCR is an 8-bit read-only register that indicates the current operating mode of the H8/3039 Group.

| Bit | 7 | 6 | 5 | 4 | 3 | 2 | 1 | 0 |
|---------------|---|---|---|---|---|------|------|------|
| | — | — | — | — | — | MDS2 | MDS1 | MDS0 |
| Initial value | 1 | 1 | 0 | 0 | 0 | —* | —* | —* |
| Read/Write | — | — | — | — | — | R | R | R |

Reserved bits
Mode select 2 to 0
 Bits indicating the current operating mode

Note: Determined by pins MD₂ to MD₀.

Bits 7 and 6—Reserved: These bits cannot be modified and are always read as 1.

Bits 5 to 3—Reserved: These bits cannot be modified and are always read as 0.

Bits 2 to 0—Mode Select 2 to 0 (MDS₂ to MDS₀): These bits indicate the logic levels at pins MD₂ to MD₀ (the current operating mode). MDS₂ to MDS₀ correspond to MD₂ to MD₀. MDS₁ and MDS₀ are read-only bits. The mode pin (MD₂ to MD₀) levels are latched when MDCR is read.

3.3 System Control Register (SYSCR)

SYSCR is an 8-bit register that controls the operation of the H8/3039 Group.

| Bit | 7 | 6 | 5 | 4 | 3 | 2 | 1 | 0 |
|---------------|------|------|------|------|-----|-------|---|------|
| | SSBY | STS2 | STS1 | STS0 | UE | NMIEG | — | RAME |
| Initial value | 0 | 0 | 0 | 0 | 1 | 0 | 1 | 1 |
| Read/Write | R/W | R/W | R/W | R/W | R/W | R/W | — | R/W |

RAM enable
 Enables or disables on-chip RAM

Reserved bit

NMI edge select
 Selects the valid edge of the NMI input

User bit enable
 Selects whether to use UI bit in CCR as a user bit or an interrupt mask bit

Standby timer select 2 to 0
 These bits select the waiting time at recovery from software standby mode

Software standby
 Enables transition to software standby mode

Bit 7—Software Standby (SSBY): Enables transition to software standby mode. (For further information about software standby mode see section 17, Power-Down State.)

When software standby mode is exited by an external interrupt, this bit remains set to 1. To clear this bit, write 0.

Bit 7

| SSBY | Description |
|------|---|
| 0 | SLEEP instruction causes transition to sleep mode (Initial value) |
| 1 | SLEEP instruction causes transition to software standby mode |

Bits 6 to 4—Standby Timer Select (STS2 to STS0): These bits select the length of time the CPU and on-chip supporting modules wait for the internal clock oscillator to settle when software standby mode is exited by an external interrupt. Set these bits so that the waiting time will be at

least 7 ms at the system clock rate. For further information about waiting time selection, see section 17.4.3, Selection of Oscillator Waiting Time after Exit from Software Standby Mode.

| Bit 6 STS2 | Bit 5 STS1 | Bit 4 STS0 | Description |
|---------------|---------------|---------------|---|
| 0 | 0 | 0 | Waiting time = 8,192 states (Initial value) |
| 0 | 0 | 1 | Waiting time = 16,384 states |
| 0 | 1 | 0 | Waiting time = 32,768 states |
| 0 | 1 | 1 | Waiting time = 65,536 states |
| 1 | 0 | 0 | Waiting time = 131,072 states |
| 1 | 0 | 1 | Waiting time = 1,024 states |
| 1 | 1 | — | Illegal setting |

Bit 3—User Bit Enable (UE): Selects whether to use the UI bit in the condition code register as a user bit or an interrupt mask bit.

| Bit 3 UE | Description |
|-------------|---|
| 0 | UI bit in CCR is used as an interrupt mask bit |
| 1 | UI bit in CCR is used as a user bit (Initial value) |

Bit 2—NMI Edge Select (NMIEG): Selects the valid edge of the NMI input.

| Bit 2 NMIEG | Description |
|----------------|--|
| 0 | An interrupt is requested at the falling edge of NMI (Initial value) |
| 1 | An interrupt is requested at the rising edge of NMI |

Bit 1—Reserved: This bit cannot be modified and is always read as 1.

Bit 0—RAM Enable (RAME): Enables or disables the on-chip RAM. The RAME bit is initialized by the rising edge of the RES signal. It is not initialized in software standby mode.

| Bit 0 RAME | Description |
|---------------|--|
| 0 | On-chip RAM is disabled |
| 1 | On-chip RAM is enabled (Initial value) |

3.4 Operating Mode Descriptions

3.4.1 Mode 1

Ports 1, 2, and 5 function as address pins A_{19} to A_0 , permitting access to a maximum 1-Mbyte address space. The initial bus mode after a reset is 8 bits, with 8-bit access to all areas.

3.4.2 Mode 3

Ports 1, 2, and 5 and part of port A function as address pins A_{23} to A_0 , permitting access to a maximum 16-Mbyte address space. The initial bus mode after a reset is 8 bits, with 8-bit access to all areas. A_{23} to A_{21} are valid when 0 is written in bits 7 to 5 of the bus release control register (BRCR). (In this mode A_{20} is always used for address output.)

3.4.3 Mode 5

Ports 1, 2, and 5 can function as address pins A_{19} to A_0 , permitting access to a maximum 1-Mbyte address space, but following a reset they are input ports. To use ports 1, 2, and 5 as an address bus, the corresponding bits in their data direction registers (P1DDR, P2DDR, and P5DDR) must be set to 1. The address bus width can be selected freely by setting DDR of ports 1, 2, and 5. The initial bus mode after a reset is 8 bits, with 8-bit access to all areas.

3.4.4 Mode 6

This mode operates using the on-chip ROM, RAM, and registers. All I/O ports are available. Mode 6 is a normal mode with 64-kbyte address space.

3.4.5 Mode 7

This mode is an advanced mode with a 1-Mbyte address space which operates using the on-chip ROM, RAM, and registers. All I/O ports are available.

Note: The H8/3039 Group cannot be used in mode 2 and 4.

3.5 Pin Functions in Each Operating Mode

The pin functions of ports 1 to 3, port 5 and port A vary depending on the operating mode. Table 3.3 indicates their functions in each operating mode.

Table 3.3 Pin Functions in Each Mode

| Port | Mode 1 | Mode 2* ¹ | Mode 3 | Mode 4* ¹ | Mode 5 | Mode 6 | Mode 7 |
|--------|------------------------------------|----------------------|---|----------------------|---|------------------------------------|------------------------------------|
| Port 1 | A ₇ to A ₀ | — | A ₇ to A ₀ | — | P1 ₇ to P1 ₀ * ² | P1 ₇ to P1 ₀ | P1 ₇ to P1 ₀ |
| Port 2 | A ₁₅ to A ₈ | — | A ₁₅ to A ₈ | — | P2 ₇ to P2 ₀ * ² | P2 ₇ to P2 ₀ | P2 ₇ to P2 ₀ |
| Port 3 | D ₇ to D ₀ | — | D ₇ to D ₀ | — | D ₇ to D ₀ | P3 ₇ to P3 ₀ | P3 ₇ to P3 ₀ |
| Port 5 | A ₁₉ to A ₁₆ | — | A ₁₉ to A ₁₆ | — | P5 ₃ to P5 ₀ * ² | P5 ₃ to P5 ₀ | P5 ₃ to P5 ₀ |
| Port A | PA ₇ to PA ₄ | — | PA ₆ to PA ₄ * ³ , A ₂₀ | — | PA ₇ to PA ₄ | PA ₇ to PA ₄ | PA ₇ to PA ₄ |

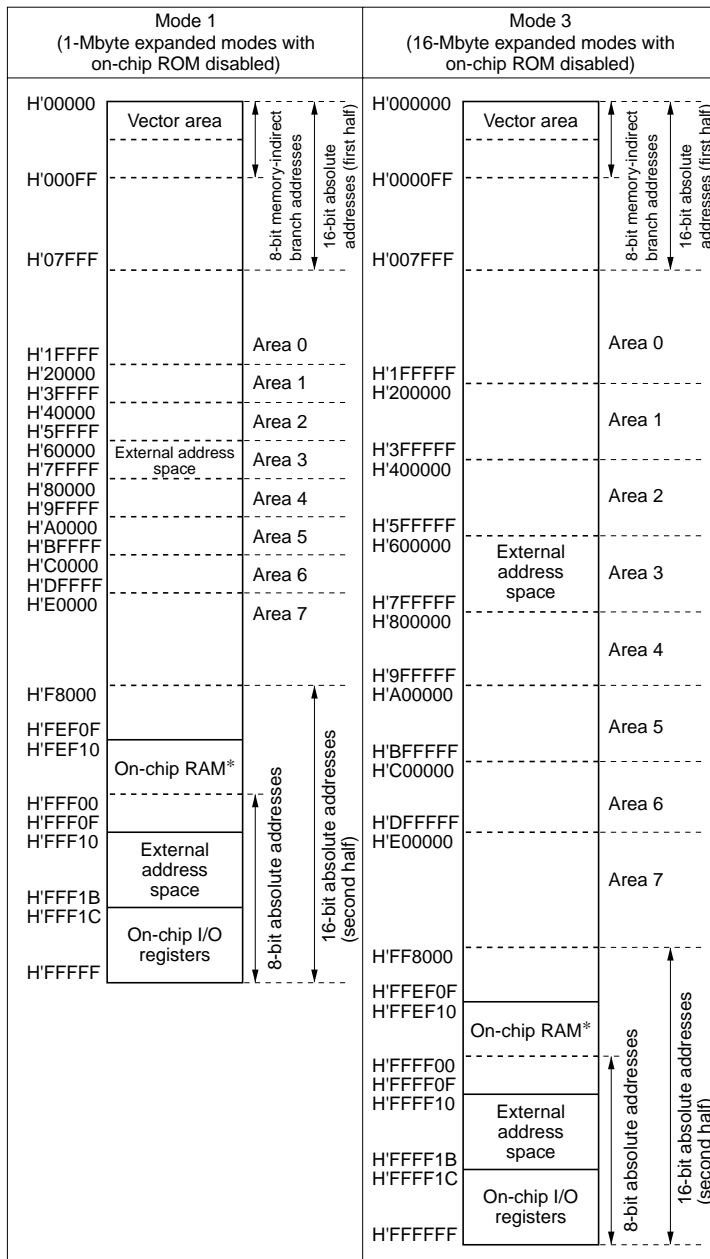
- Notes:
1. H8/3039 Group cannot be used in these modes.
 2. Initial state. These pins become address output pins when the corresponding bits in the data direction registers (P1DDR, P2DDR, P5DDR) are set to 1.
 3. Initial state A₂₀ is always an address output pin. PA₆ to PA₄ are switched over to A₂₃ to A₂₁ output by writing 0 in bits 7 to 5 of ADRCR.

3.6 Memory Map in Each Operating Mode

Figure 3.1 shows a memory map of the H8/3039. Figure 3.2 shows a memory map of the H8/3038. Figure 3.3 shows a memory map of the H8/3037. Figure 3.4 shows a memory map of the H8/3036. The address space is divided into eight areas.

Modes 1, 3 and 5 are the 8-bit bus mode.

The address locations of the on-chip RAM and on-chip registers differ between the 1-Mbyte modes (modes 1, 5, and 7) and 16-Mbyte mode (mode 3), and 64-kbyte mode (mode 6). The address range specifiable by the CPU in the 8- and 16-bit absolute addressing modes (@aa:8 and @aa:16) also differs.



Note: * External addresses can be accessed by disabling on-chip RAM.

Figure 3.1 H8/3039 Memory Map in Each Operating Mode (1)

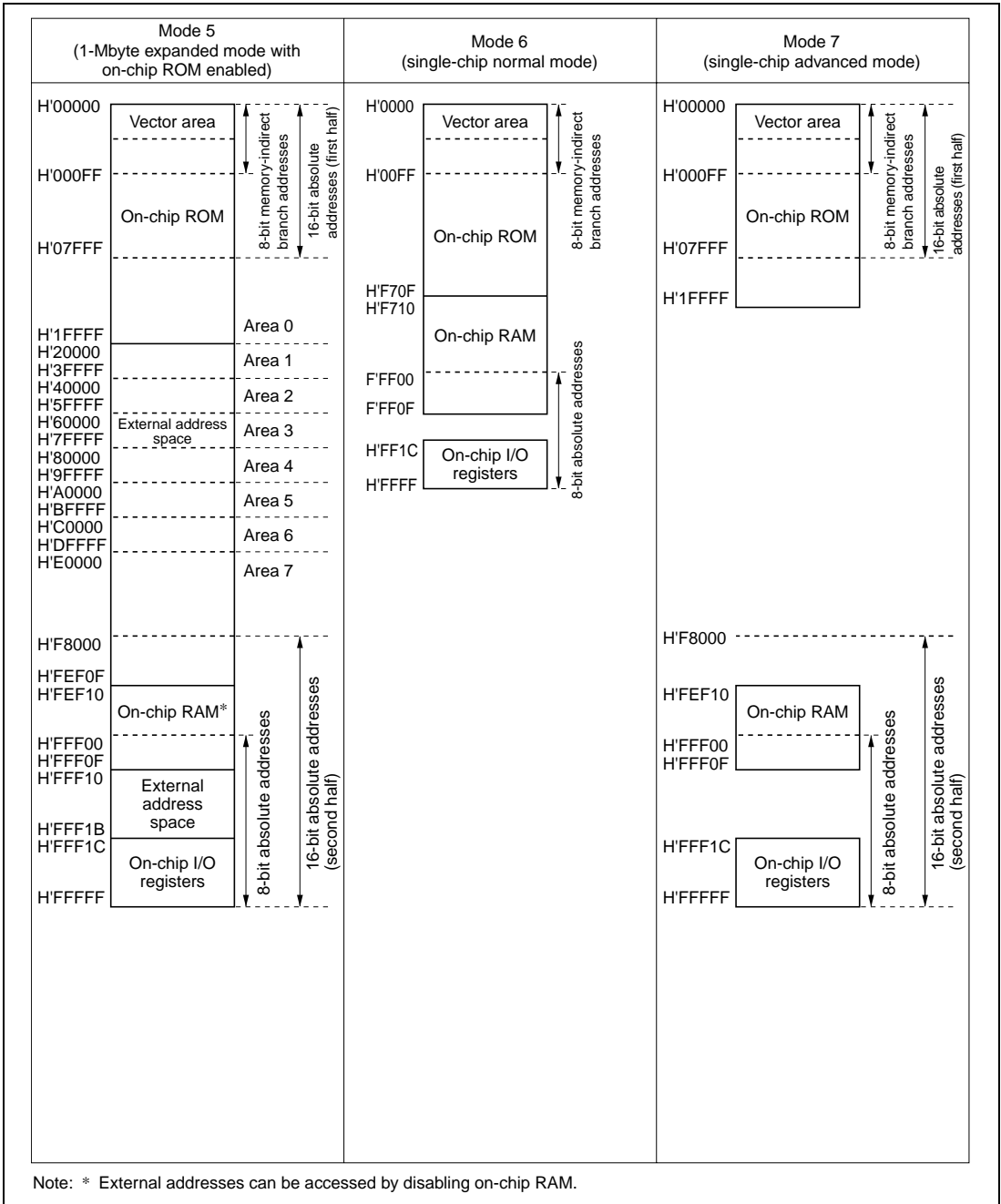
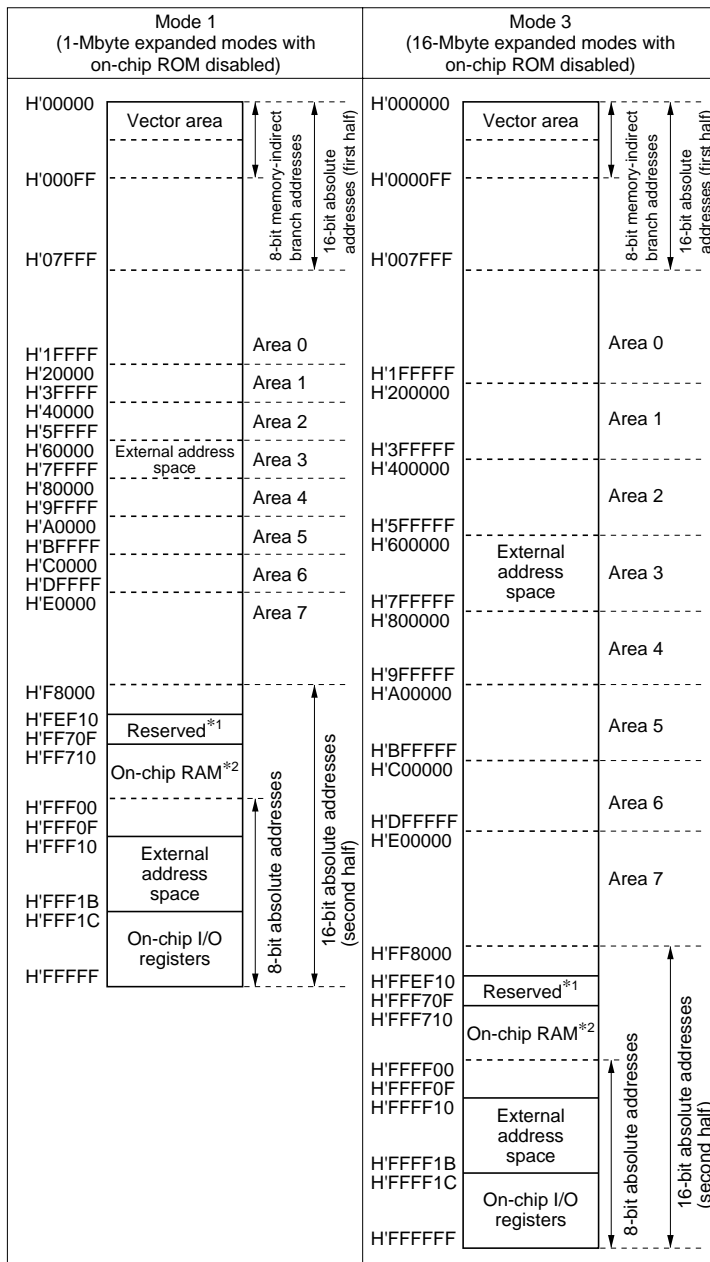


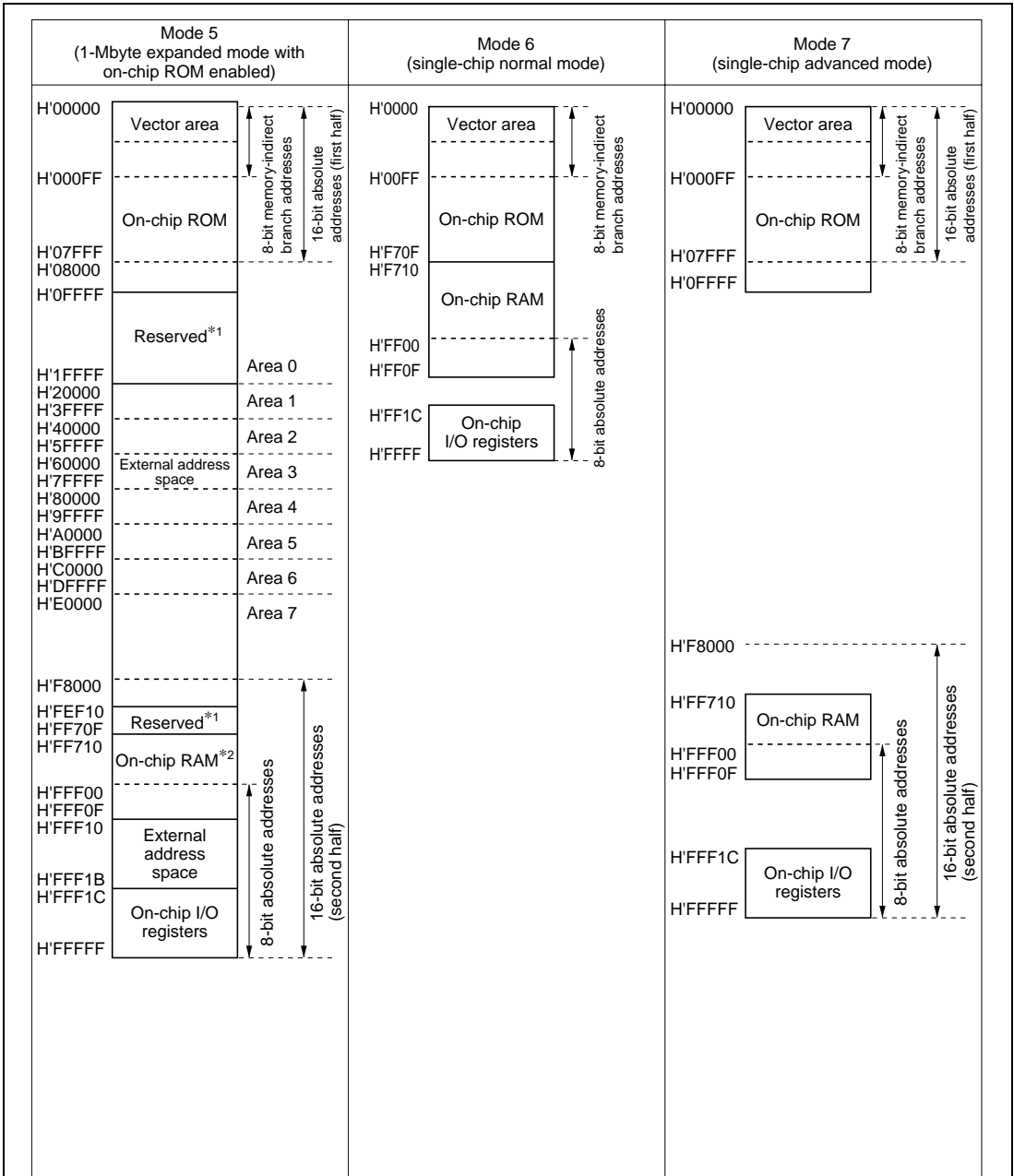
Figure 3.1 H8/3039 Memory Map in Each Operating Mode (2)



Notes: 1. Do not access the reserved area.

2. External addresses can be accessed by disabling on-chip RAM.

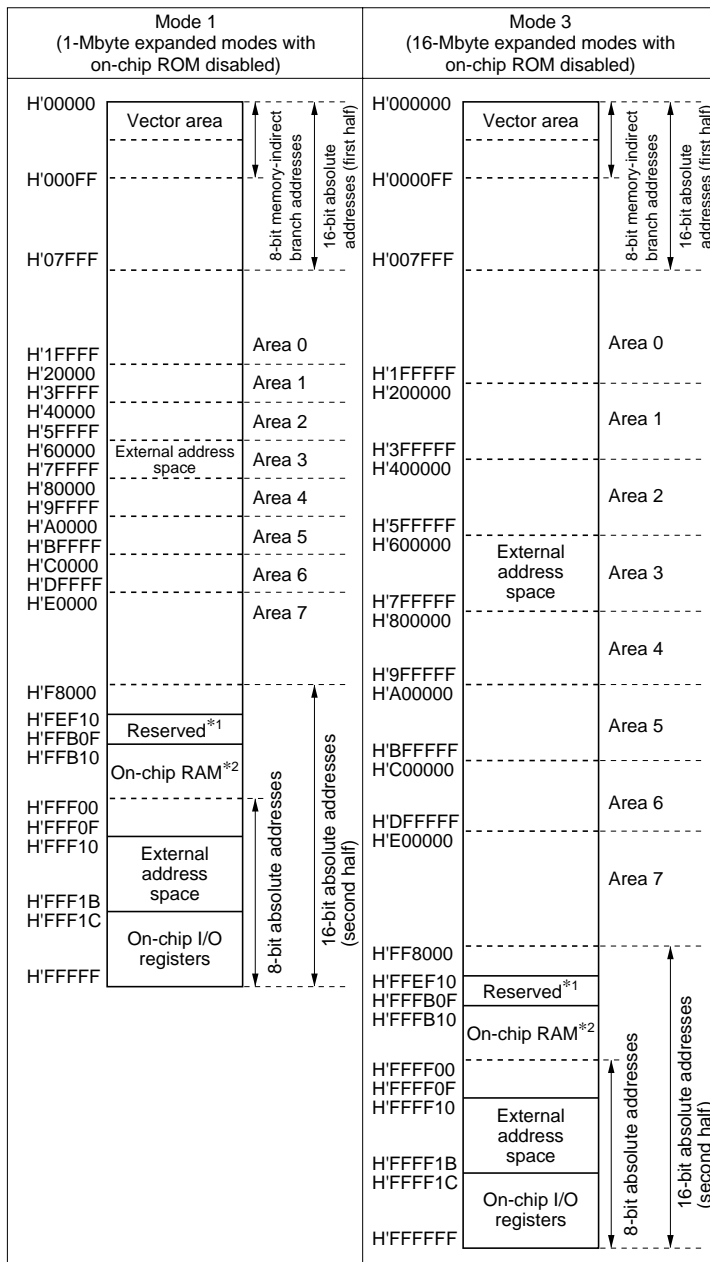
Figure 3.2 H8/3038 Memory Map in Each Operating Mode (1)



Notes: 1. Do not access the reserved area.

2. External addresses can be accessed by disabling on-chip RAM.

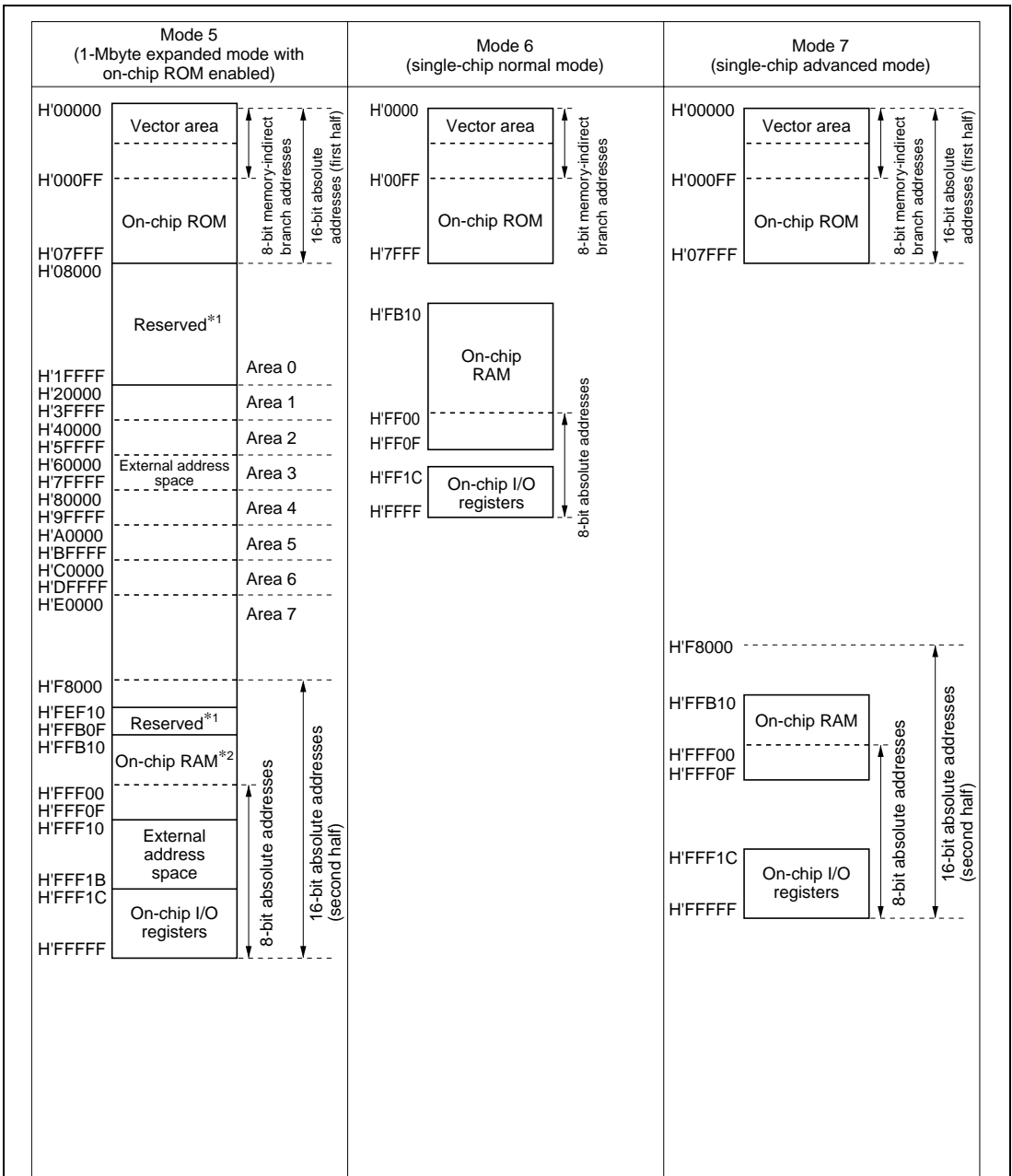
Figure 3.2 H8/3038 Memory Map in Each Operating Mode (2)



Notes: 1. Do not access the reserved area.

2. External addresses can be accessed by disabling on-chip RAM.

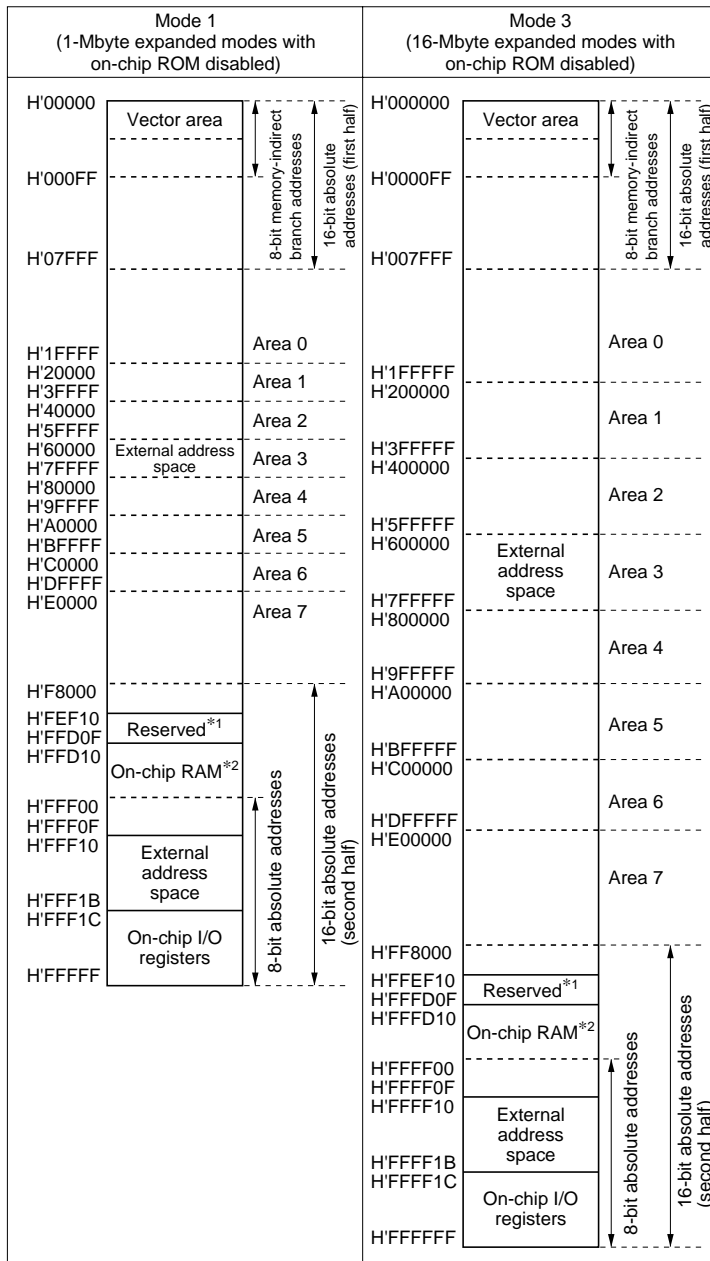
Figure 3.3 H8/3037 Memory Map in Each Operating Mode (1)



Notes: 1. Do not access the reserved area.

2. External addresses can be accessed by disabling on-chip RAM.

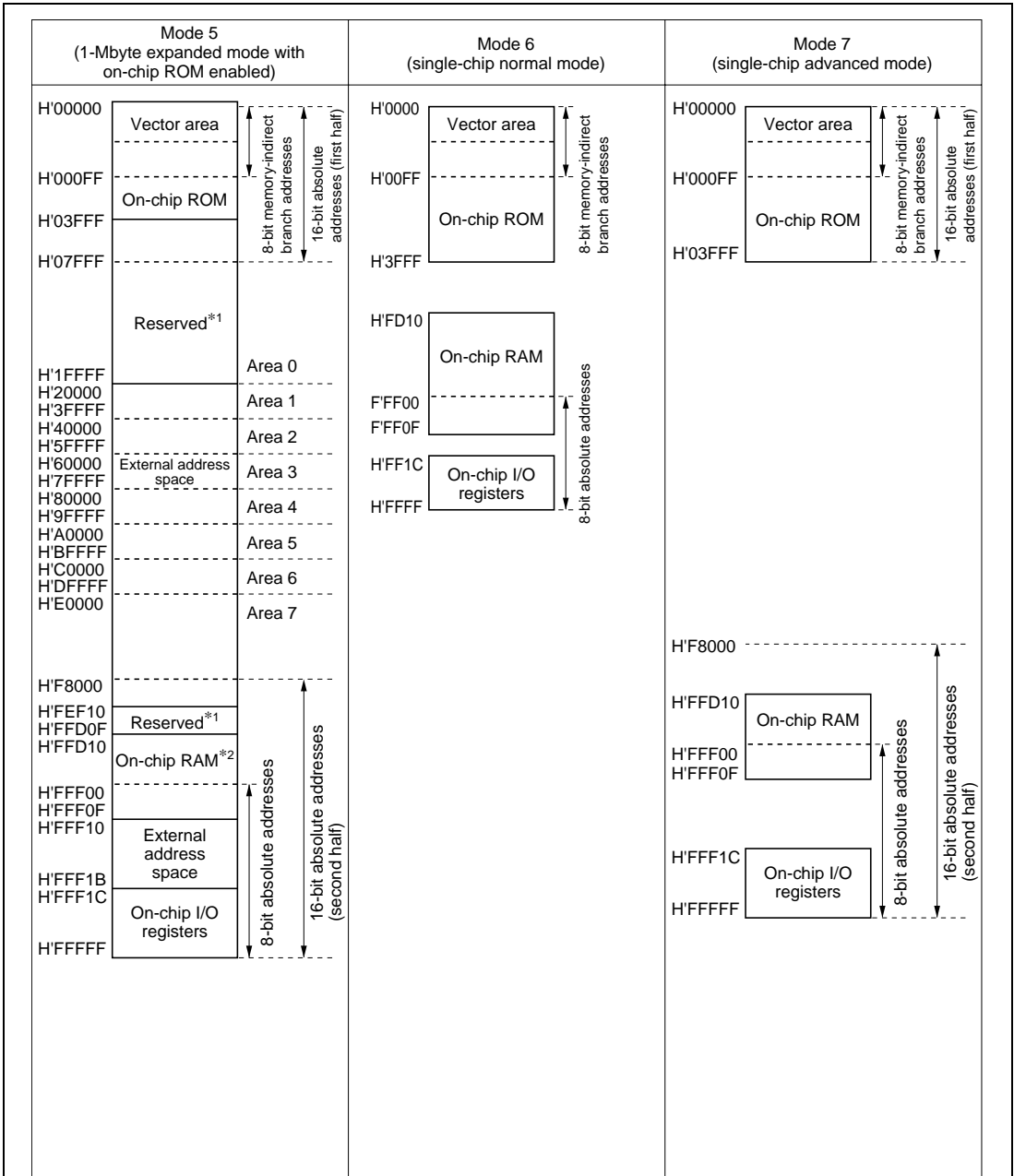
Figure 3.3 H8/3037 Memory Map in Each Operating Mode (2)



Notes: 1. Do not access the reserved area.

2. External addresses can be accessed by disabling on-chip RAM.

Figure 3.4 H8/3036 Memory Map in Each Operating Mode (1)



Notes: 1. Do not access the reserved area.

2. External addresses can be accessed by disabling on-chip RAM.

Figure 3.4 H8/3036 Memory Map in Each Operating Mode (2)

3.7 Restrictions on Use of Mode 6

In mode 6 (single-chip normal mode), on-chip ROM area data is undefined if address H'10000 or above (64 kbytes or above) is accessed, and therefore instruction code fetch and data read operations may not always be performed normally.

However, there is no problem with address H'10000 and above if the lower 16-bit address is an on-chip RAM (H'F710 to H'FF0F) or internal I/O register (H'FF1C to H'FFFF) address.

Table 3.4 shows the restrictions concerning each addressing mode.

Table 3.4 Access Restrictions in Mode 6 (Single-Chip Normal Mode)

| Addressing Mode | Conditions | | Operation | Restriction |
|--|--|---|---|--|
| | Restricted Item | Address Range | | |
| Register direct (Rn) | — | — | No problem | — |
| Register indirect (@ERn) | Contents of ERn | H'00010000 or above, with lower 16 bits in range H'0000 to H'F710 | Read data is undefined. Writes are invalid. | Set upper 16 bits of ERn to H'0000; or, write same data as in H'00000–H'0FFFF to H'10000–H'1FFFF in on-chip ROM. |
| Register indirect with displacement (@(d:16,ERn), @(d:16,ERn)) | Value of ERn contents plus displacement | | | |
| Register indirect with post-increment (@ERn+) | Value of ERn contents incremented (or decremented) by 1, 2, or 4 | | | |
| Register indirect with pre-decrement (@ERn-) | | | | |
| Absolute address (@aa:8) | — | — | No problem | — |
| Absolute address (@aa:16) | Value of @aa sign-extended to 24 bits | H'010000 or above, with lower 16 bits in range H'0000 to H'F710 | Read data is undefined. Writes are invalid. | Do not specify H'8000 or above as absolute address; or, write same data as in H'00000–H'0FFFF to H'10000–H'1FFFF in on-chip ROM. |

| Addressing Mode | Conditions | | Operation | Restriction |
|--|-------------------------------|---|--|---|
| | Restricted Item | Address Range | | |
| Absolute address (@aa:24) | Value of @aa | H'010000 or above, with lower 16 bits in range H'0000 to H'F710 | Read data is undefined. Writes are invalid. | Do not access addresses in range shown under conditions; or, write same data as in H'00000–H'0FFFFF to H'10000–H'1FFFFF in on-chip ROM. |
| Immediate | — | — | No problem | — |
| Program-counter relative (@(d:8,PC), @(d:16,PC)) | Value of PC plus displacement | H'010000 or above, with lower 16 bits in range H'0000 to H'F710 | Does not operate normally since instruction code is undefined. | Do not access addresses in range shown under conditions; or, write same data as in H'00000–H'0FFFFF to H'10000–H'1FFFFF in on-chip ROM. |
| Memory indirect (@@aa:8) | — | — | No problem | — |

Section 4 Exception Handling

4.1 Overview

4.1.1 Exception Handling Types and Priority

As table 4.1 indicates, exception handling may be caused by a reset, trap instruction, or interrupt. Exception handling is prioritized as shown in table 4.1. If two or more exceptions occur simultaneously, they are accepted and processed in priority order. Trap instruction exceptions are accepted at all times in the program execution state.

Table 4.1 Exception Types and Priority

| Priority | Exception Type | Start of Exception Handling |
|-----------|--------------------------|--|
| High ↑ | Reset | Starts immediately after a low-to-high transition at the RES pin |
| | Interrupt | Interrupt requests are handled when execution of the current instruction or handling of the current exception is completed |
| Low | Trap instruction (TRAPA) | Started by execution of a trap instruction (TRAPA) |

4.1.2 Exception Handling Operation

Exceptions originate from various sources. Trap instructions and interrupts are handled as follows.

1. The program counter (PC) and condition code register (CCR) are pushed onto the stack.
2. The CCR interrupt mask bit is set to 1.
3. A vector address corresponding to the exception source is generated, and program execution starts from the address indicated in the vector address.

For a reset exception, steps 2 and 3 above are carried out.

4.1.3 Exception Vector Table

The exception sources are classified as shown in figure 4.1. Different vectors are assigned to different exception sources. Table 4.2 lists the exception sources and their vector addresses.

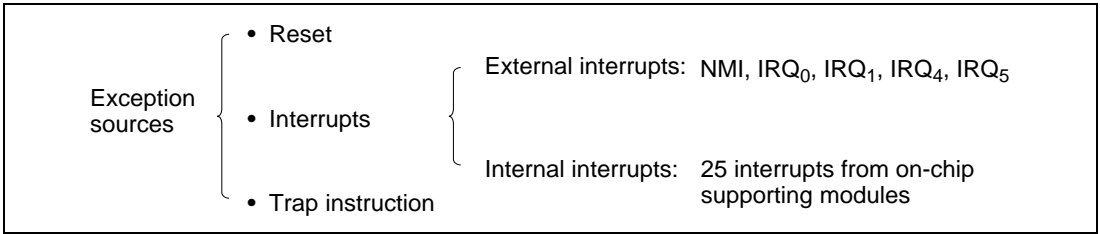


Figure 4.1 Exception Sources

Table 4.2 Exception Vector Table

| Exception Source | Vector Number | Vector Address* ¹ | | |
|-----------------------------------|--------------------------|------------------------------|------------------|------------------|
| | | Normal Mode | Advanced Mode | |
| Reset | 0 | H'0000 to H'0001 | H'0000 to H'0003 | |
| Reserved for system use | 1 | H'0002 to H'0003 | H'0004 to H'0007 | |
| | 2 | H'0004 to H'0005 | H'0008 to H'000B | |
| | 3 | H'0006 to H'0007 | H'000C to H'000F | |
| | 4 | H'0008 to H'0009 | H'0010 to H'0013 | |
| | 5 | H'000A to H'000B | H'0014 to H'0017 | |
| | 6 | H'000C to H'000D | H'0018 to H'001B | |
| | External interrupt (NMI) | 7 | H'000E to H'000F | H'001C to H'001F |
| Trap instruction (4 sources) | 8 | H'0010 to H'0011 | H'0020 to H'0023 | |
| | 9 | H'0012 to H'0013 | H'0024 to H'0027 | |
| | 10 | H'0014 to H'0015 | H'0028 to H'002B | |
| | 11 | H'0016 to H'0017 | H'002C to H'002F | |
| External interrupt | IRQ ₀ | 12 | H'0018 to H'0019 | H'0030 to H'0033 |
| | IRQ ₁ | 13 | H'001A to H'001B | H'0034 to H'0037 |
| Reserved for system use | 14 | H'001C to H'001D | H'0038 to H'003B | |
| | 15 | H'001E to H'001F | H'003C to H'003F | |
| External interrupt | IRQ ₄ | 16 | H'0020 to H'0021 | H'0040 to H'0043 |
| | IRQ ₅ | 17 | H'0022 to H'0023 | H'0044 to H'0047 |
| Reserved for system use | 18 | H'0024 to H'0025 | H'0048 to H'004B | |
| | 19 | H'0026 to H'0027 | H'004C to H'004F | |
| Internal interrupts* ² | 20 | H'0028 to H'0029 | H'0050 to H'0053 | |
| | to | to | to | |
| | 60 | H'0078 to H'0079 | H'00F0 to H'00F3 | |

Notes: 1. Lower 16 bits of the address.

2. For the internal interrupt vectors, see section 5.3.3, Interrupt Vector Table.

4.2 Reset

4.2.1 Overview

A reset is the highest-priority exception. When the $\overline{\text{RES}}$ pin goes low, all processing halts and the H8/3039 Group enters the reset state. A reset initializes the internal state of the CPU and the registers of the on-chip supporting modules. Reset exception handling begins when the $\overline{\text{RES}}$ pin changes from low to high.

The chip can also be reset by overflow of the watchdog timer. For details see section 10, Watchdog Timer.

4.2.2 Reset Sequence

The H8/3039 Group enters the reset state when the $\overline{\text{RES}}$ pin goes low.

To ensure that the chip is reset, hold the $\overline{\text{RES}}$ pin low for at least 20 ms at power-up. To reset the chip during operation, hold the $\overline{\text{RES}}$ pin low for at least 10 system clock (ϕ) cycles. When using the flash memory version, hold at "Low" level for a least 1usec. See appendix D.2, Pin States at Reset, for the states of the pins in the reset state.

When the $\overline{\text{RES}}$ pin goes high after being held low for the necessary time, the H8/3039 Group chip starts reset exception handling as follows.

- The internal state of the CPU and the registers of the on-chip supporting modules are initialized, and the I bit is set to 1 in CCR.
- The contents of the reset vector address (H'0000 to H'0003 in advanced mode) are read, and program execution starts from the address indicated in the vector address.

Figure 4.2 shows the reset sequence in modes 5 and 7.

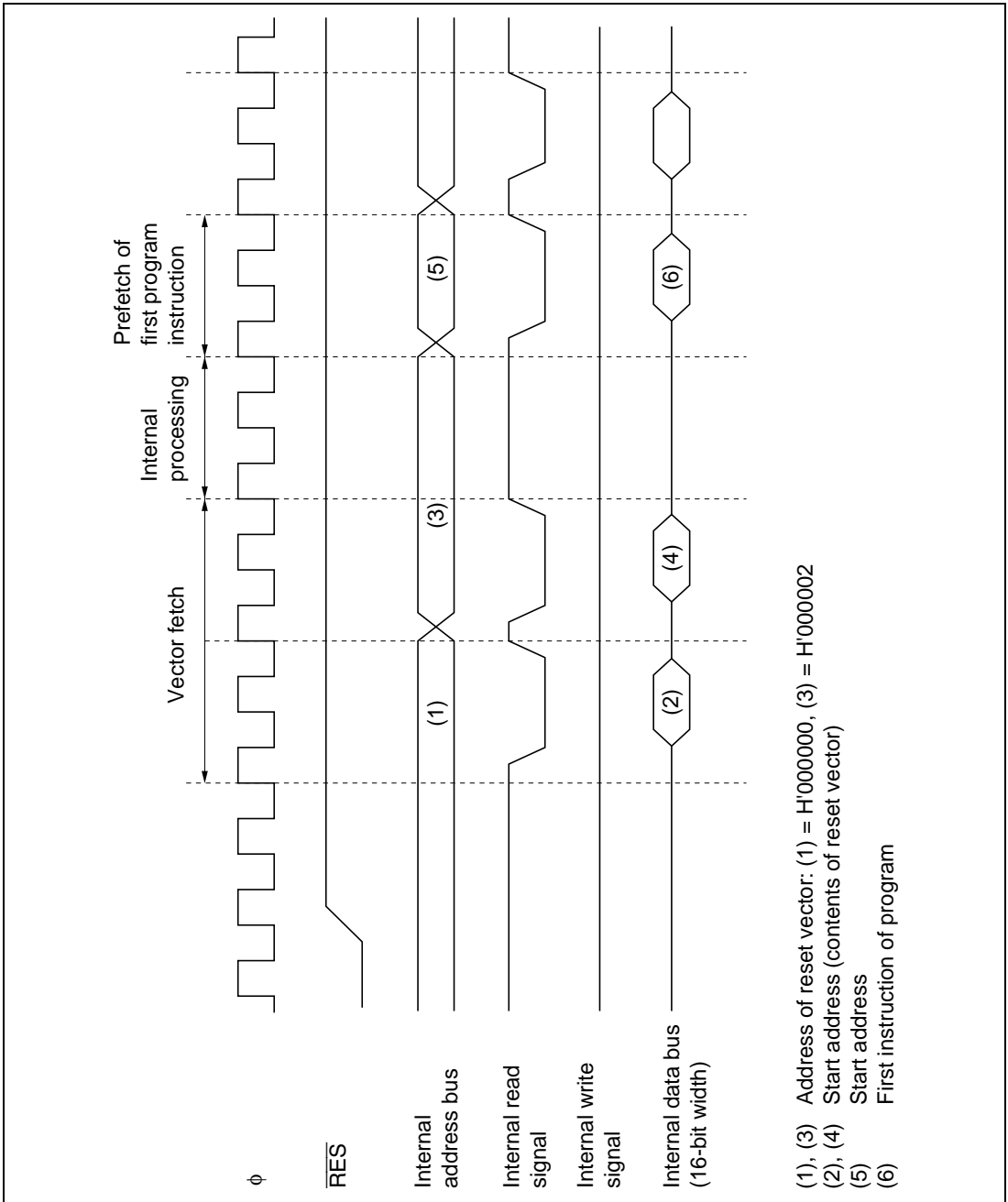


Figure 4.2 Reset Sequence (Modes 5 and 7)

4.2.3 Interrupts after Reset

If an interrupt is accepted after a reset but before the stack pointer (SP) is initialized, PC and CCR will not be saved correctly, leading to a program crash. To prevent this, all interrupt requests, including NMI, are disabled immediately after a reset. The first instruction of the program is always executed immediately after the reset state ends. This instruction should initialize the stack pointer (example: MOV.L #xx:32, SP).

4.3 Interrupts

Interrupt exception handling can be requested by five external sources (NMI, IRQ₀, IRQ₁, IRQ₄, IRQ₅) and 25 internal sources in the on-chip supporting modules. Figure 4.3 classifies the interrupt sources and indicates the number of interrupts of each type.

The on-chip supporting modules that can request interrupts are the watchdog timer (WDT), 16-bit integrated timer unit (ITU), serial communication interface (SCI), and A/D converter. Each interrupt source has a separate vector address.

NMI is the highest-priority interrupt and is always accepted. Interrupts are controlled by the interrupt controller. The interrupt controller can assign interrupts other than NMI to two priority levels, and arbitrate between simultaneous interrupts. Interrupt priorities are assigned in interrupt priority registers A and B (IPRA and IPRB) in the interrupt controller.

For details on interrupts see section 5, Interrupt Controller.

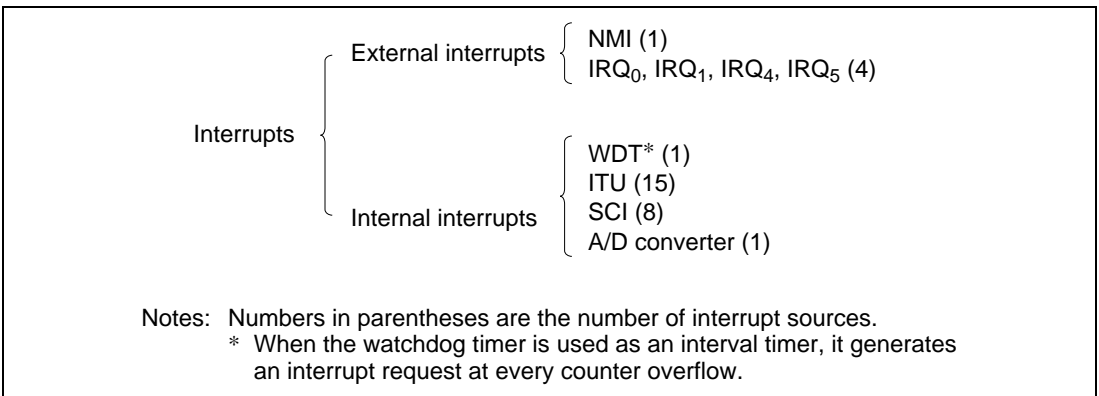


Figure 4.3 Interrupt Sources and Number of Interrupts

4.4 Trap Instruction

Trap instruction exception handling starts when a TRAPA instruction is executed. If the UE bit is set to 1 in the system control register (SYSCR), the exception handling sequence sets the I bit to 1 in CCR. If the UE bit is 0, the I and UI bits are both set to 1. The TRAPA instruction fetches a start address from a vector table entry corresponding to a vector number from 0 to 3, which is specified in the instruction code.

4.5 Stack Status after Exception Handling

Figure 4.4 shows the stack after completion of trap instruction exception handling and interrupt exception handling.

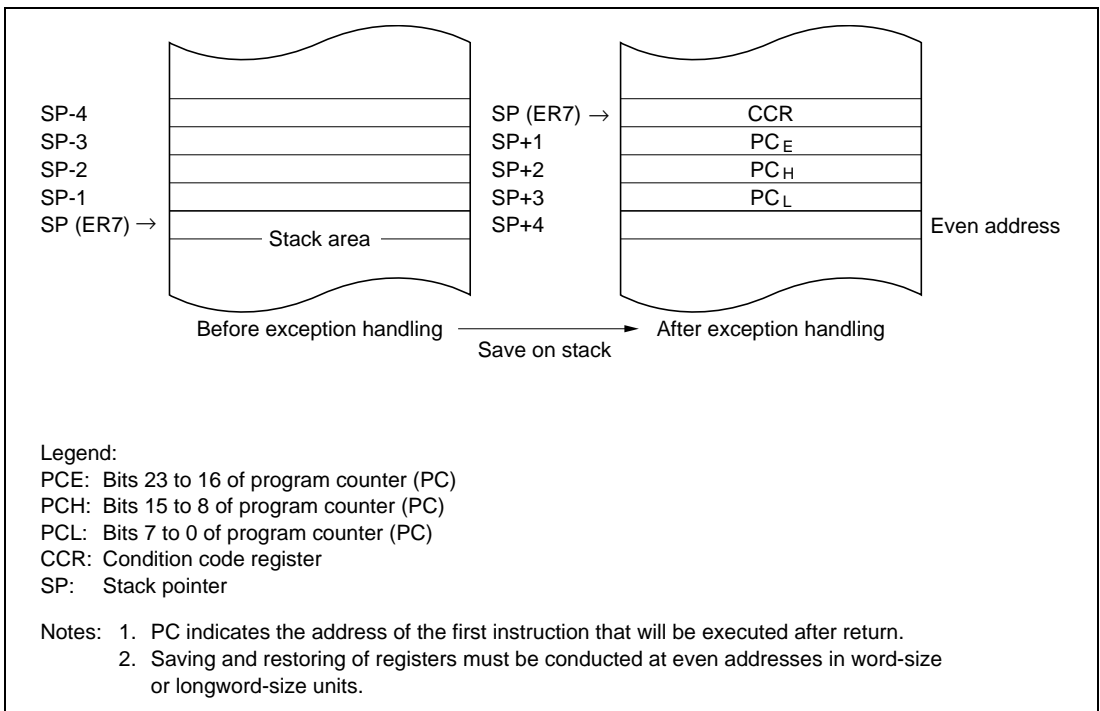


Figure 4.4 Stack after Completion of Exception Handling (Advanced Mode)

4.6 Notes on Stack Usage

When accessing word data or longword data, the H8/3039 Group regards the lowest address bit as 0. The stack should always be accessed by word access or longword access, and the value of the stack pointer (SP, ER7) should always be kept even. Use the following instructions to save registers:

```
PUSH.W Rn    (or MOV.W Rn, @-SP)
PUSH.L ERn   (or MOV.L ERn, @-SP)
```

Use the following instructions to restore registers:

```
POP.W Rn     (or MOV.W @SP+, Rn)
POP.L ERn    (or MOV.L @SP+, ERn)
```

Setting SP to an odd value may lead to a malfunction. Figure 4.5 shows an example of what happens when the SP value is odd.

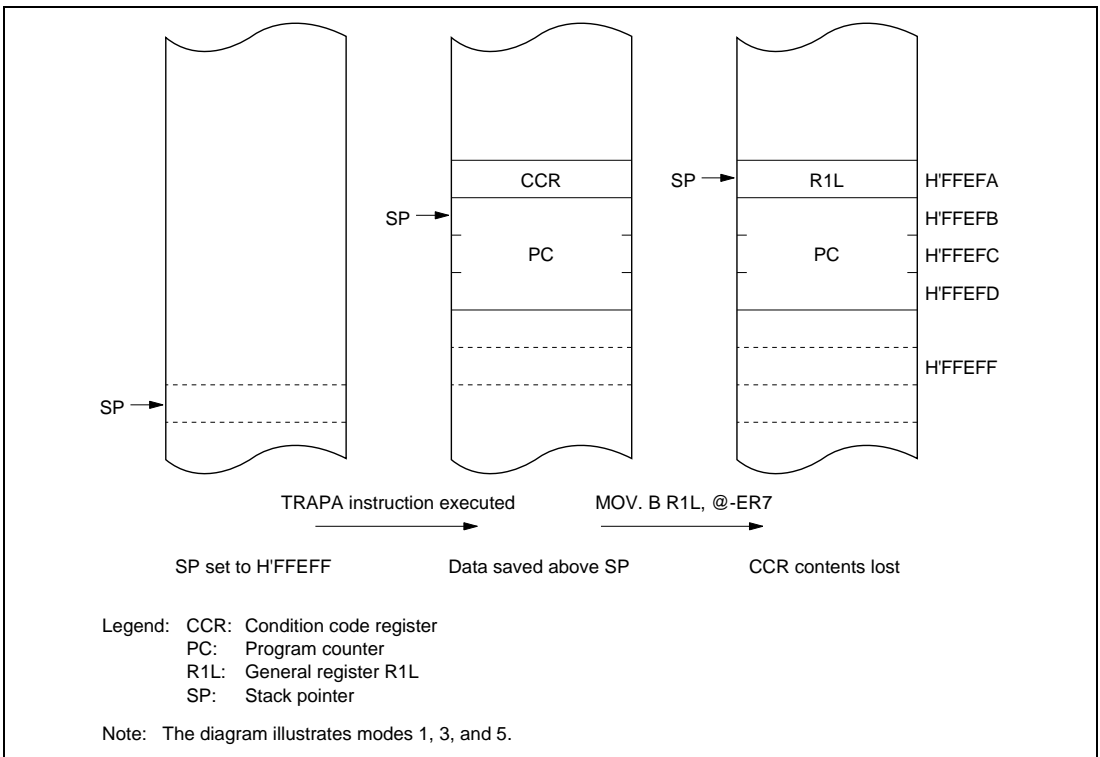


Figure 4.5 Operation when SP Value is Odd

Section 5 Interrupt Controller

5.1 Overview

5.1.1 Features

The interrupt controller has the following features:

- Interrupt priority registers (IPRs) for setting interrupt priorities
Interrupts other than NMI can be assigned to two priority levels on a module-by-module basis in interrupt priority registers A and B (IPRA and IPRB).
- Three-level masking by the I and UI bits in the CPU condition code register (CCR)
- Independent vector addresses
All interrupts are independently vectored; the interrupt service routine does not have to identify the interrupt source.
- Five external interrupt pins
NMI has the highest priority and is always accepted; either the rising or falling edge can be selected. For each of IRQ_0 , IRQ_1 , IRQ_4 , and IRQ_5 , sensing of the falling edge or level sensing can be selected independently.

5.1.2 Block Diagram

Figure 5.1 shows a block diagram of the interrupt controller.

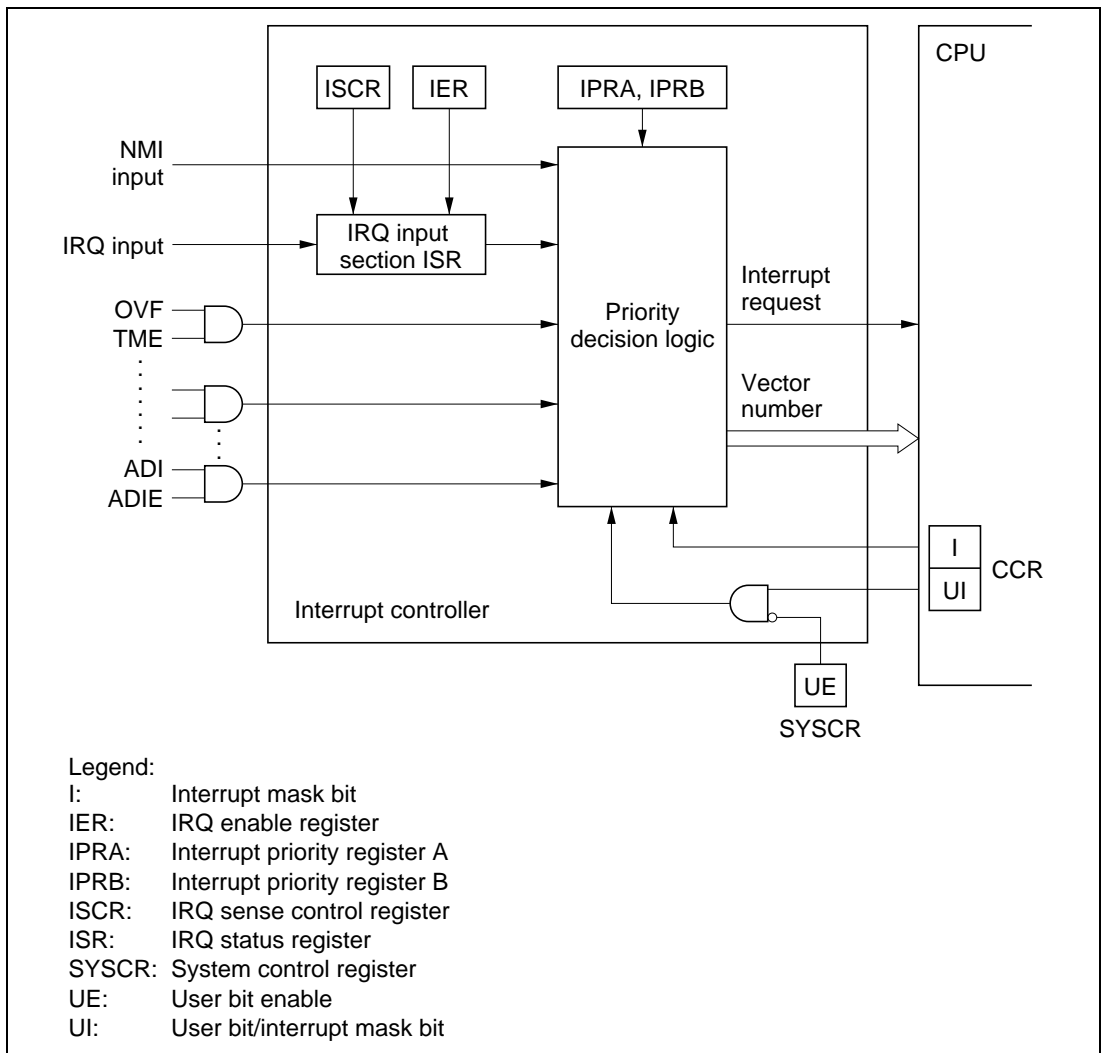


Figure 5.1 Interrupt Controller Block Diagram

5.1.3 Pin Configuration

Table 5.1 lists the interrupt pins.

Table 5.1 Interrupt Pins

| Name | Abbreviation | I/O | Function |
|---|---|-------|---|
| Nonmaskable interrupt | NMI | Input | Nonmaskable interrupt, rising edge or falling edge selectable |
| External interrupt request 5, 4, 1, and 0 | $\overline{\text{IRQ}}_5$, $\overline{\text{IRQ}}_4$, and $\overline{\text{IRQ}}_1$, $\overline{\text{IRQ}}_0$ | Input | Maskable interrupts, falling edge or level sensing selectable |

5.1.4 Register Configuration

Table 5.2 lists the registers of the interrupt controller.

Table 5.2 Interrupt Controller Registers

| Address* ¹ | Name | Abbreviation | R/W | Initial Value |
|-----------------------|-------------------------------|--------------|---------------------|---------------|
| H'FFF2 | System control register | SYSCR | R/W | H'0B |
| H'FFF4 | IRQ sense control register | ISCR | R/W | H'00 |
| H'FFF5 | IRQ enable register | IER | R/W | H'00 |
| H'FFF6 | IRQ status register | ISR | R/(W)* ² | H'00 |
| H'FFF8 | Interrupt priority register A | IPRA | R/W | H'00 |
| H'FFF9 | Interrupt priority register B | IPRB | R/W | H'00 |

- Notes: 1. Lower 16 bits of the address.
 2. Only 0 can be written, to clear flags.

5.2 Register Descriptions

5.2.1 System Control Register (SYSCR)

SYSCR is an 8-bit readable/writable register that controls software standby mode, selects the action of the UI bit in CCR, selects the NMI edge, and enables or disables the on-chip RAM.

Only bits 3 and 2 are described here. For the other bits, see section 3.3, System Control Register (SYSCR).

SYSCR is initialized to H'0B by a reset and in hardware standby mode. It is not initialized in software standby mode.

| Bit | 7 | 6 | 5 | 4 | 3 | 2 | 1 | 0 |
|---------------|------|------|------|------|-----|-------|---|------|
| | SSBY | STS2 | STS1 | STS0 | UE | NMIEG | — | RAME |
| Initial value | 0 | 0 | 0 | 0 | 1 | 0 | 1 | 1 |
| Read/Write | R/W | R/W | R/W | R/W | R/W | R/W | — | R/W |

Software standby

**Standby timer
select 2 to 0**

User bit enable
Selects whether to use the UI bit in CCR
as a user bit or interrupt mask bit

NMI edge select
Selects the NMI input edge

Reserved bit

RAM enable

Bit 3—User Bit Enable (UE): Selects whether to use the UI bit in CCR as a user bit or an interrupt mask bit.

Bit 3

| UE | Description | |
|-----------|---|-----------------|
| 0 | UI bit in CCR is used as interrupt mask bit | |
| 1 | UI bit in CCR is used as user bit | (Initial value) |

Bit 2—NMI Edge Select (NMIEG): Selects the NMI input edge.

Bit 2

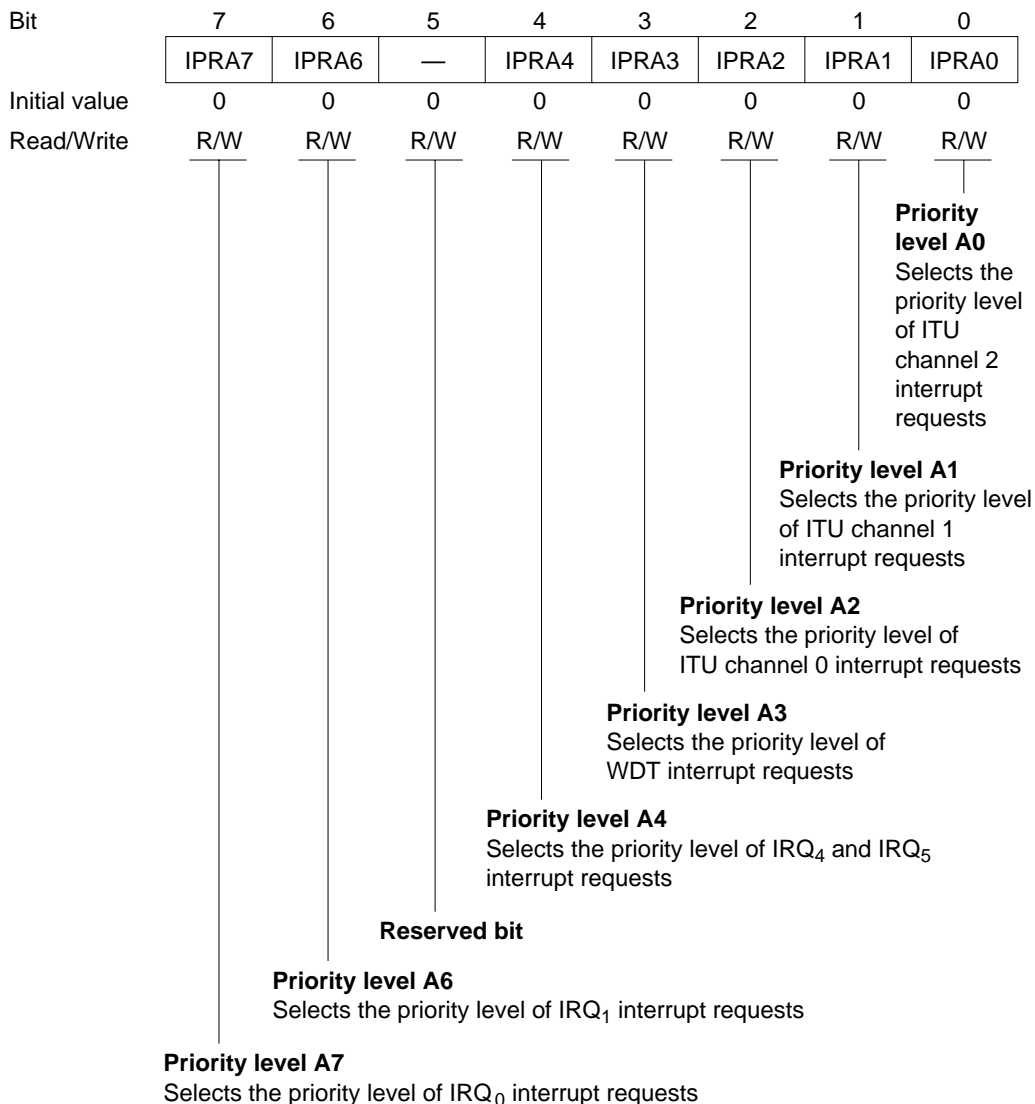
| NMIEG | Description | |
|--------------|---|-----------------|
| 0 | Interrupt is requested at falling edge of NMI input | (Initial value) |
| 1 | Interrupt is requested at rising edge of NMI input | |

5.2.2 Interrupt Priority Registers A and B (IPRA, IPRB)

IPRA and IPRB are 8-bit readable/writable registers that control interrupt priority.

Interrupt Priority Register A (IPRA)

IPRA is an 8-bit readable/writable register in which interrupt priority levels can be set.



IPRA is initialized to H'00 by a reset and in hardware standby mode.

Bit 7—Priority Level A7 (IPRA7): Selects the priority level of IRQ0 interrupt requests.

| Bit7 IPRA7 | Description | |
|---------------|---|-----------------|
| 0 | IRQ0 interrupt requests have priority level 0 (low priority) | (Initial value) |
| 1 | IRQ0 interrupt requests have priority level 1 (high priority) | |

Bit 6—Priority Level A6 (IPRA6): Selects the priority level of IRQ1 interrupt requests.

| Bit6 IPRA6 | Description | |
|---------------|---|-----------------|
| 0 | IRQ1 interrupt requests have priority level 0 (low priority) | (Initial value) |
| 1 | IRQ1 interrupt requests have priority level 1 (high priority) | |

Bit 5—Reserved bit: This bit can be written and read, but it does not affect interrupt priority.

Bit 4—Priority Level A4 (IPRA4): Selects the priority level of IRQ₄ and IRQ₅ interrupt requests.

| Bit4 IPRA4 | Description | |
|---------------|--|-----------------|
| 0 | IRQ ₄ , IRQ ₅ interrupt requests have priority level 0 (low priority) | (Initial value) |
| 1 | IRQ ₄ , IRQ ₅ interrupt requests have priority level 1 (high priority) | |

Bit 3—Priority Level A3 (IPRA3): Selects the priority level of WTD interrupt requests.

| Bit3 IPRA3 | Description | |
|---------------|--|-----------------|
| 0 | WTD interrupt requests have priority level 0 (low priority) | (Initial value) |
| 1 | WTD interrupt requests have priority level 1 (high priority) | |

Bit 2—Priority Level A2 (IPRA2): Selects the priority level of ITU channel 0 interrupt requests.

| Bit2 IPRA2 | Description |
|---------------|---|
| 0 | ITU channel 0 interrupt requests have priority level 0 (low priority) (Initial value) |
| 1 | ITU channel 0 interrupt requests have priority level 1 (high priority) |

Bit 1—Priority Level A1 (IPRA1): Selects the priority level of ITU channel 1 interrupt requests.

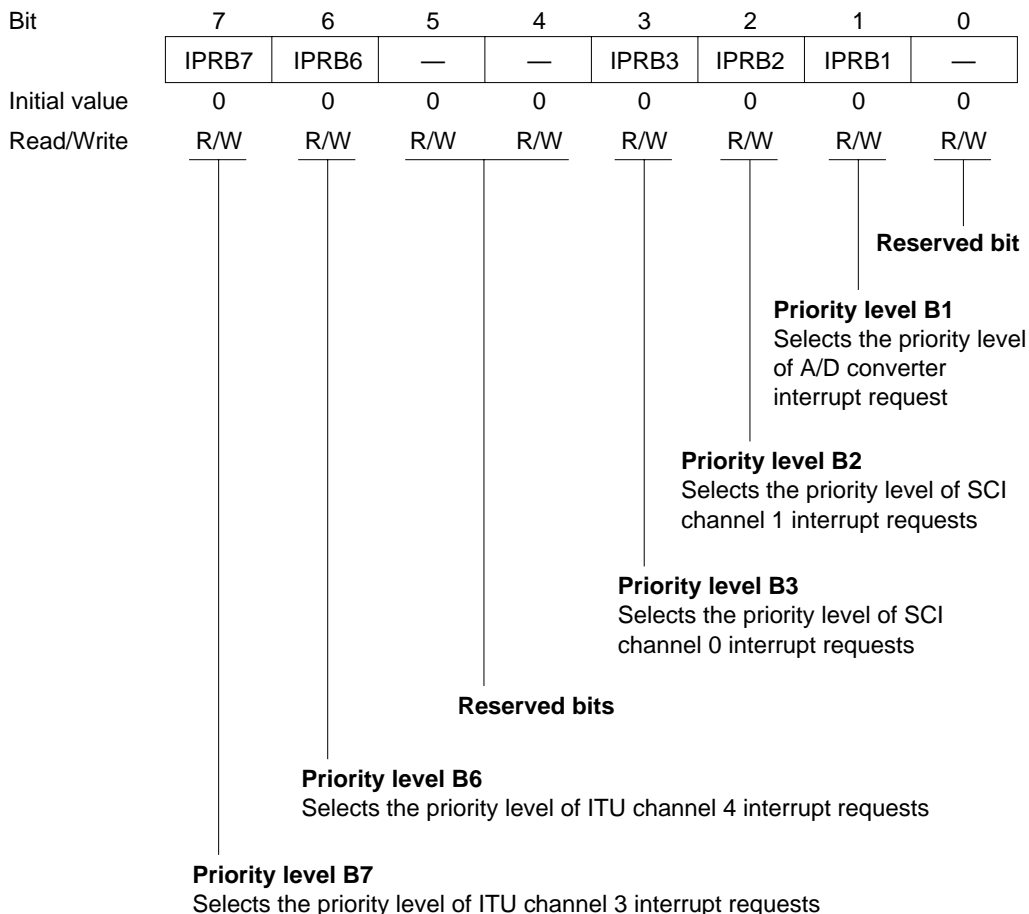
| Bit1 IPRA1 | Description |
|---------------|---|
| 0 | ITU channel 1 interrupt requests have priority level 0 (low priority) (Initial value) |
| 1 | ITU channel 1 interrupt requests have priority level 1 (high priority) |

Bit 0—Priority Level A0 (IPRA0): Selects the priority level of ITU channel 2 interrupt requests.

| Bit0 IPRA0 | Description |
|---------------|---|
| 0 | ITU channel 2 interrupt requests have priority level 0 (low priority) (Initial value) |
| 1 | ITU channel 2 interrupt requests have priority level 1 (high priority) |

Interrupt Priority Register B (IPRB)

IPRB is an 8-bit readable/writable register in which interrupt priority levels can be set.



IPRB is initialized to H'00 by a reset and in hardware standby mode.

Bit 7—Priority Level B7 (IPRB7): Selects the priority level of ITU channel 3 interrupt requests.

| Bit7 IPRB7 | Description |
|---------------|---|
| 0 | ITU channel 3 interrupt requests have priority level 0 (low priority) (Initial value) |
| 1 | ITU channel 3 interrupt requests have priority level 1 (high priority) |

Bit 6—Priority Level B6 (IPRB6): Selects the priority level of ITU channel 4 interrupt requests.

| Bit6 IPRB6 | Description |
|---------------|---|
| 0 | ITU channel 4 interrupt requests have priority level 0 (low priority) (Initial value) |
| 1 | ITU channel 4 interrupt requests have priority level 1 (high priority) |

Bits 5 and 4—Reserved: These bits cannot be modified and are always read as 0.

Bit 3—Priority Level B3 (IPRB3): Selects the priority level of SCI channel 0 interrupt requests.

| Bit3 IPRB3 | Description |
|---------------|---|
| 0 | SCI channel 0 interrupt requests have priority level 0 (low priority) (Initial value) |
| 1 | SCI channel 0 interrupt requests have priority level 1 (high priority) |

Bit 2—Priority Level B2 (IPRB2): Selects the priority level of SCI channel 1 interrupt requests.

| Bit2 IPRB2 | Description |
|---------------|---|
| 0 | SCI channel 1 interrupt requests have priority level 0 (low priority) (Initial value) |
| 1 | SCI channel 1 interrupt requests have priority level 1 (high priority) |

Bit 1—Priority Level B1 (IPRB1): Selects the priority level of A/D converter interrupt requests.

| Bit1 IPRB1 | Description |
|---------------|---|
| 0 | A/D converter interrupt requests have priority level 0 (low priority) (Initial value) |
| 1 | A/D converter interrupt requests have priority level 1 (high priority) |

Bit 0—Reserved: This bit cannot be modified and is always read as 0.

5.2.3 IRQ Status Register (ISR)

ISR is an 8-bit readable/writable register that indicates the status of IRQ_0 , IRQ_1 , IRQ_4 , and IRQ_5 interrupt requests.

| Bit | 7 | 6 | 5 | 4 | 3 | 2 | 1 | 0 |
|---------------|---|---|--------|--------|---|---|--------|--------|
| | — | — | IRQ5F | IRQ4F | — | — | IRQ1F | IRQ0F |
| Initial value | 0 | 0 | 0 | 0 | 0 | 0 | 0 | 0 |
| Read/Write | — | — | R/(W)* | R/(W)* | — | — | R/(W)* | R/(W)* |

Reserved bits
Reserved bits

IRQ₅ to IRQ₄ flags
These bits indicate IRQ₅ and IRQ₄ interrupt request status
IRQ₁, IRQ₀ flags
These bits indicates IRQ₁ and IRQ₀ interrupt request status

Note: * Only 0 can be written, to clear flags.

ISR is initialized to H'00 by a reset and in hardware standby mode.

Bits 7, 6, 3 and 2—Reserved: These bits cannot be modified and are always read as 0.

Bits 5, 4, 1 and 0—IRQ₅, IRQ₄, IRQ₁ and IRQ₀ Flags (IRQ5F, IRQ4F, IRQ1F, and IRQ0F): These bits indicate the status of IRQ_5 , IRQ_4 , IRQ_1 , and IRQ_0 interrupt requests.

Bits 5, 4, 1, and 0

IRQ5F, IRQ4F,

IRQ1F, and IRQ0F

Description

| | | |
|---|---|-----------------|
| 0 | [Clearing conditions] | (Initial value) |
| | <ul style="list-style-type: none"> • 0 is written in IRQ_nF after reading the IRQ_nF flag when $IRQ_nF = 1$. • $IRQ_nSC = 0$, $\overline{IRQ_n}$ input is high, and interrupt exception handling is carried out. • $IRQ_nSC = 1$ and IRQ_n interrupt exception handling is carried out. | |
| 1 | [Setting conditions] | |
| | <ul style="list-style-type: none"> • $IRQ_nSC = 0$ and $\overline{IRQ_n}$ input is low. • $IRQ_nSC = 1$ and $\overline{IRQ_n}$ input changes from high to low. | |

Note: n = 5, 4, 1 and 0

5.2.4 IRQ Enable Register (IER)

IER is an 8-bit readable/writable register that enables or disables IRQ₀, IRQ₁, IRQ₄, and IRQ₅ interrupt requests.

| | | | | | | | | |
|---------------|-----|-----|-------|-------|-----|-----|-------|-------|
| Bit | 7 | 6 | 5 | 4 | 3 | 2 | 1 | 0 |
| | — | — | IRQ5E | IRQ4E | — | — | IRQ1E | IRQ0E |
| Initial value | 0 | 0 | 0 | 0 | 0 | 0 | 0 | 0 |
| Read/Write | R/W | R/W | R/W | R/W | R/W | R/W | R/W | R/W |

Reserved bits
Reserved bits

IRQ₅ to IRQ₄ enable
These bits enable or disable
IRQ₅ and IRQ₄ interrupts
IRQ₁ to IRQ₀ enable
These bits enable or disable
IRQ₁ and IRQ₀ interrupts

IER is initialized to H'00 by a reset and in hardware standby mode.

Bits 7, 6, 3, and 2—Reserved: These bits cannot be modified and are always read as 0.

Bits 5, 4, 1, and 0—IRQ₅, IRQ₄, IRQ₁, and IRQ₀ Enable (IRQ5E, IRQ4E, IRQ1E, IRQ0E): These bits enable or disable IRQ₅, IRQ₄, IRQ₁, IRQ₀ interrupts.

Bits 5, 4, 1, and 0

IRQ5E, IRQ4E,

IRQ1E, and IRQ0E

Description

| | | |
|---|---|-----------------|
| 0 | IRQ ₅ , IRQ ₄ , IRQ ₁ , IRQ ₀ interrupts are disabled | (Initial value) |
| 1 | IRQ ₅ , IRQ ₄ , IRQ ₁ , IRQ ₀ interrupts are enabled | |

5.2.5 IRQ Sense Control Register (ISCR)

ISCR is an 8-bit readable/writable register that selects level sensing or falling-edge sensing of the inputs at pins $\overline{\text{IRQ}}_5$, $\overline{\text{IRQ}}_4$, $\overline{\text{IRQ}}_1$, and $\overline{\text{IRQ}}_0$

| Bit | 7 | 6 | 5 | 4 | 3 | 2 | 1 | 0 |
|---------------|-----|-----|--------|--------|-----|-----|--------|--------|
| | — | — | IRQ5SC | IRQ4SC | — | — | IRQ1SC | IRQ0SC |
| Initial value | 0 | 0 | 0 | 0 | 0 | 0 | 0 | 0 |
| Read/Write | R/W | R/W | R/W | R/W | R/W | R/W | R/W | R/W |

Reserved bits (bits 7, 6, 3, 2)

IRQ₅ and IRQ₄ sense control
 These bits select level sensing or falling-edge sensing for IRQ₅ and IRQ₄ interrupts

IRQ₁ and IRQ₀ sense control
 These bits select level sensing or falling-edge sensing for IRQ₁ and IRQ₀ interrupts

ISCR is initialized to H'00 by a reset and in hardware standby mode.

Bits 7, 6, 3, and 2—Reserved: These bits are readable/writable and do not affect selection of level sensing or falling-edge sensing.

Bits 5, 4, 1, and 0—IRQ₅, IRQ₄, IRQ₁, and IRQ₀ Sense Control (IRQ5SC, IRQ4SC, IRQ1SC, IRQ0SC): These bits selects whether interrupts IRQ₅, IRQ₄, IRQ₁, IRQ₀ are requested by level sensing of pins $\overline{\text{IRQ}}_5$, $\overline{\text{IRQ}}_4$, $\overline{\text{IRQ}}_1$, $\overline{\text{IRQ}}_0$ or by falling-edge sensing.

Bits 5, 4, 1, and 0
IRQ5SC, IRQ4SC,
IRQ1SC, IRQ0SC

Description

| | |
|---|---|
| 0 | Interrupts are requested when $\overline{\text{IRQ}}_5$, $\overline{\text{IRQ}}_4$, $\overline{\text{IRQ}}_1$, $\overline{\text{IRQ}}_0$ inputs are low (Initial value) |
| 1 | Interrupts are requested by falling-edge input at $\overline{\text{IRQ}}_5$, $\overline{\text{IRQ}}_4$, $\overline{\text{IRQ}}_1$, $\overline{\text{IRQ}}_0$ |

5.3 Interrupt Sources

The interrupt sources include external interrupts (NMI, IRQ_5 , IRQ_4 , IRQ_1 and IRQ_0) and 25 internal interrupts.

5.3.1 External Interrupts

There are five external interrupts: NMI, and IRQ_5 , IRQ_4 , IRQ_1 , and IRQ_0 . Of these, NMI, IRQ_0 , IRQ_1 , can be used to exit software standby mode.

NMI: NMI is the highest-priority interrupt and is always accepted, regardless of the states of the I and UI bits in CCR. The NMIEG bit in SYSCR selects whether an interrupt is requested by the rising or falling edge of the input at the NMI pin. NMI interrupt exception handling has vector number 7.

IRQ_5 , IRQ_4 , IRQ_1 , IRQ_0 Interrupts: These interrupts are requested by input signals at pins \overline{IRQ}_5 , \overline{IRQ}_4 , \overline{IRQ}_1 , \overline{IRQ}_0 . The IRQ_5 , IRQ_4 , IRQ_1 , IRQ_0 interrupts have the following features.

- ISCR settings can select whether an interrupt is requested by the low level of the input at pins \overline{IRQ}_5 , \overline{IRQ}_4 , \overline{IRQ}_1 , \overline{IRQ}_0 , or by the falling edge.
- IER settings can enable or disable the IRQ_5 , IRQ_4 , IRQ_1 , IRQ_0 interrupts. Interrupt priority levels can be assigned by four bits in IPRA (IPRA7, IPRA6, and IPRA4).
- The status of IRQ_5 , IRQ_4 , IRQ_1 , IRQ_0 interrupt requests is indicated in ISR. The ISR flags can be cleared to 0 by software.

Figure 5.2 shows a block diagram of interrupts IRQ_5 , IRQ_4 , IRQ_1 , IRQ_0 .

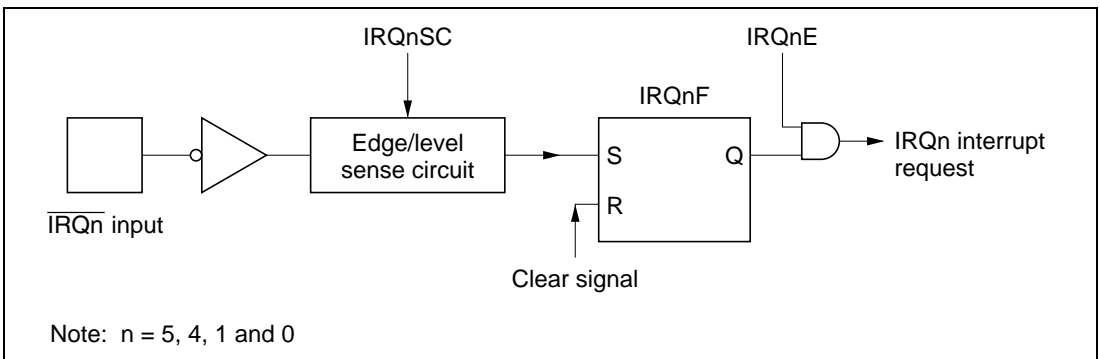


Figure 5.2 Block Diagram of Interrupts IRQ_5 , IRQ_4 , IRQ_1 , and IRQ_0

Figure 5.3 shows the timing of the setting of the interrupt flags (IRQnF).

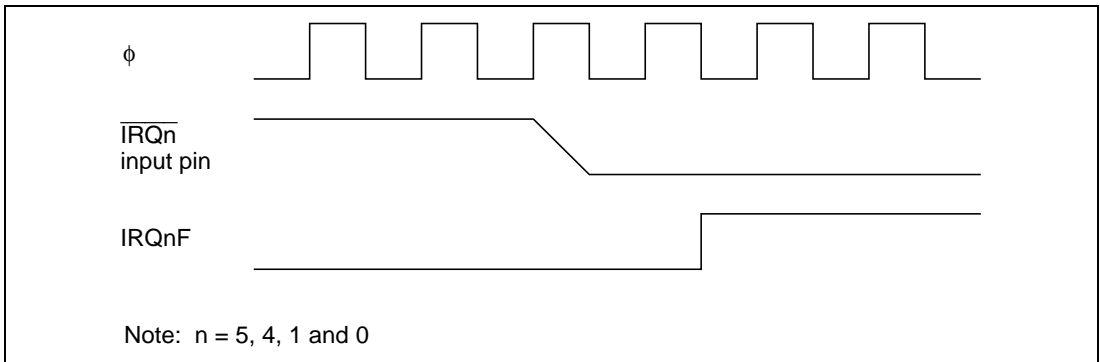


Figure 5.3 Timing of Setting of IRQnF

Interrupts IRQ_5 , IRQ_4 , IRQ_1 , IRQ_0 have vector numbers 17, 16, 13, 12. These interrupts are detected regardless of whether the corresponding pin is set for input or output. When using a pin for external interrupt input, clear its DDR bit to 0 and do not use the pin for SCI input or output.

5.3.2 Internal Interrupts

Twenty-five internal interrupts are requested from the on-chip supporting modules.

- Each on-chip supporting module has status flags for indicating interrupt status, and enable bits for enabling or disabling interrupts.
- Interrupt priority levels can be assigned in IPRA and IPRB.

5.3.3 Interrupt Vector Table

Table 5.3 lists the interrupt sources, their vector addresses, and their default priority order. In the default priority order, smaller vector numbers have higher priority. The priority of interrupts other than NMI can be changed in IPRA and IPRB. The priority order after a reset is the default order shown in table 5.3.

Table 5.3 Interrupt Sources, Vector Addresses, and Priority

| Interrupt Source | Origin | Vector Number | Vector Address* | | | Priority |
|--|----------------|---------------|------------------|------------------|-------|----------|
| | | | Normal Mode | Advanced Mode | IPR | |
| NMI | External pins | 7 | H'000E to H'000F | H'001C to H'001F | — | High |
| IRQ ₀ | | 12 | H'0018 to H'0019 | H'0030 to H'0033 | IPRA7 | ↑ |
| IRQ ₁ | | 13 | H'001A to H'001B | H'0034 to H'0037 | IPRA6 | |
| Reserved | — | 14 | H'001C to H'001D | H'0038 to H'003B | — | |
| | | 15 | H'001E to H'001F | H'003C to H'003F | | |
| IRQ ₄ | External pins | 16 | H'0020 to H'0021 | H'0040 to H'0043 | IPRA4 | |
| IRQ ₅ | | 17 | H'0022 to H'0023 | H'0044 to H'0047 | | |
| Reserved | — | 18 | H'0024 to H'0025 | H'0048 to H'004B | | |
| | | 19 | H'0026 to H'0027 | H'004C to H'004F | | |
| WOVI (interval timer) | Watchdog timer | 20 | H'0028 to H'0029 | H'0050 to H'0053 | IPRA3 | |
| Reserved | — | 21 | H'002A to H'002B | H'0054 to H'0057 | | |
| | | 22 | H'002C to H'002D | H'0058 to H'005B | | |
| | | 23 | H'002E to H'002F | H'005C to H'005F | | |
| IMIA0 (compare match/ input capture A0) | ITU channel 0 | 24 | H'0030 to H'0031 | H'0060 to H'0063 | IPRA2 | |
| IMIB0 (compare match/ input capture B0) | | 25 | H'0032 to H'0033 | H'0064 to H'0067 | | |
| OVI0 (overflow 0) | | 26 | H'0034 to H'0035 | H'0068 to H'006B | | |
| Reserved | — | 27 | H'0036 to H'0037 | H'006C to H'006F | | |
| IMIA1 (compare match/ input capture A1) | ITU channel 1 | 28 | H'0038 to H'0039 | H'0070 to H'0073 | IPRA1 | |
| IMIB1 (compare match/ input capture B1) | | 29 | H'003A to H'003B | H'0074 to H'0077 | | |
| OVI1 (overflow 1) | | 30 | H'003C to H'003D | H'0078 to H'007B | | |
| Reserved | — | 31 | H'003E to H'003F | H'007C to H'007F | | |
| IMIA2 (compare match/ input capture A2) | ITU channel 2 | 32 | H'0040 to H'0041 | H'0080 to H'0083 | IPRA0 | |
| IMIB2 (compare match/ input capture B2) | | 33 | H'0042 to H'0043 | H'0084 to H'0087 | | |
| OVI2 (overflow 2) | | 34 | H'0044 to H'0045 | H'0088 to H'008B | | |
| Reserved | — | 35 | H'0046 to H'0047 | H'008C to H'008F | | |

| Interrupt Source | Origin | Vector Number | Vector Address* | | | Priority |
|--|---------------|---------------|------------------|------------------|-------|----------|
| | | | Normal Mode | Advanced Mode | IPR | |
| IMIA3 (compare match/ input capture A3) | ITU channel 3 | 36 | H'0048 to H'0049 | H'0090 to H'0093 | IPRB7 | ↑ |
| IMIB3 (compare match/ input capture B3) | | 37 | H'004A to H'004B | H'0094 to H'0097 | | |
| OVI3 (overflow 3) | | 38 | H'004C to H'004D | H'0098 to H'009B | | |
| Reserved | — | 39 | H'004E to H'004F | H'009C to H'009F | | |
| IMIA4 (compare match/ input capture A4) | ITU channel 4 | 40 | H'0050 to H'0051 | H'00A0 to H'00A3 | IPRB6 | |
| IMIB4 (compare match/ input capture B4) | | 41 | H'0052 to H'0053 | H'00A4 to H'00A7 | | |
| OVI4 (overflow 4) | | 42 | H'0054 to H'0055 | H'00A8 to H'00AB | | |
| Reserved | — | 43 | H'0056 to H'0057 | H'00AC to H'00AF | — | |
| | | 44 | H'0058 to H'0059 | H'00B0 to H'00B3 | | |
| | | 45 | H'005A to H'005B | H'00B4 to H'00B7 | | |
| | | 46 | H'005C to H'005D | H'00B8 to H'00BB | | |
| | | 47 | H'005E to H'005F | H'00BC to H'00BF | | |
| | | 48 | H'0060 to H'0061 | H'00C0 to H'00C3 | | |
| | | 49 | H'0062 to H'0063 | H'00C4 to H'00C7 | | |
| | | 50 | H'0064 to H'0065 | H'00C8 to H'00CB | | |
| | | 51 | H'0066 to H'0067 | H'00CC to H'00CF | | |
| ERI0 (receive error 0) | SCI channel 0 | 52 | H'0068 to H'0069 | H'00D0 to H'00D3 | IPRB3 | |
| RXI0 (receive data full 0) | | 53 | H'006A to H'006B | H'00D4 to H'00D7 | | |
| TXI0 (transmit data empty 0) | | 54 | H'006C to H'006D | H'00D8 to H'00DB | | |
| TEI0 (transmit end 0) | | 55 | H'006E to H'006F | H'00DC to H'00DF | | |
| ERI1 (receive error 1) | SCI channel 1 | 56 | H'0070 to H'0071 | H'00E0 to H'00E3 | IPRB2 | |
| RXI1 (receive data full 1) | | 57 | H'0072 to H'0073 | H'00E4 to H'00E7 | | |
| TXI1 (transmit data empty 1) | | 58 | H'0074 to H'0075 | H'00E8 to H'00EB | | |
| TEI1 (transmit end 1) | | 59 | H'0076 to H'0077 | H'00EC to H'00EF | | |
| ADI (A/D end) | A/D | 60 | H'0078 to H'0079 | H'00F0 to H'00F3 | IPRB1 | Low |

Note: * Lower 16 bits of the address.

5.4 Interrupt Operation

5.4.1 Interrupt Handling Process

The H8/3039 Group handles interrupts differently depending on the setting of the UE bit. When UE = 1, interrupts are controlled by the I bit. When UE = 0, interrupts are controlled by the I and UI bits. Table 5.4 indicates how interrupts are handled for all setting combinations of the UE, I, and UI bits.

NMI interrupts are always accepted except in the reset and hardware standby states. IRQ interrupts and interrupts from the on-chip supporting modules have their own enable bits. Interrupt requests are ignored when the enable bits are cleared to 0.

Table 5.4 UE, I, and UI Bit Settings and Interrupt Handling

| SYSCR | CCR | | Description |
|-------|-----|----|---|
| | I | UI | |
| 1 | 0 | — | All interrupts are accepted. Interrupts with priority level 1 have higher priority. |
| | 1 | — | No interrupts are accepted except NMI. |
| 0 | 0 | — | All interrupts are accepted. Interrupts with priority level 1 have higher priority. |
| | 1 | 0 | NMI and interrupts with priority level 1 are accepted. |
| | | 1 | No interrupts are accepted except NMI. |

UE = 1

Interrupts IRQ₀, IRQ₁, IRQ₄, and IRQ₅ and interrupts from the on-chip supporting modules can all be masked by the I bit in the CPU's CCR. Interrupts are masked when the I bit is set to 1, and unmasked when the I bit is cleared to 0. Interrupts with priority level 1 have higher priority. Figure 5.4 is a flowchart showing how interrupts are accepted when UE = 1.

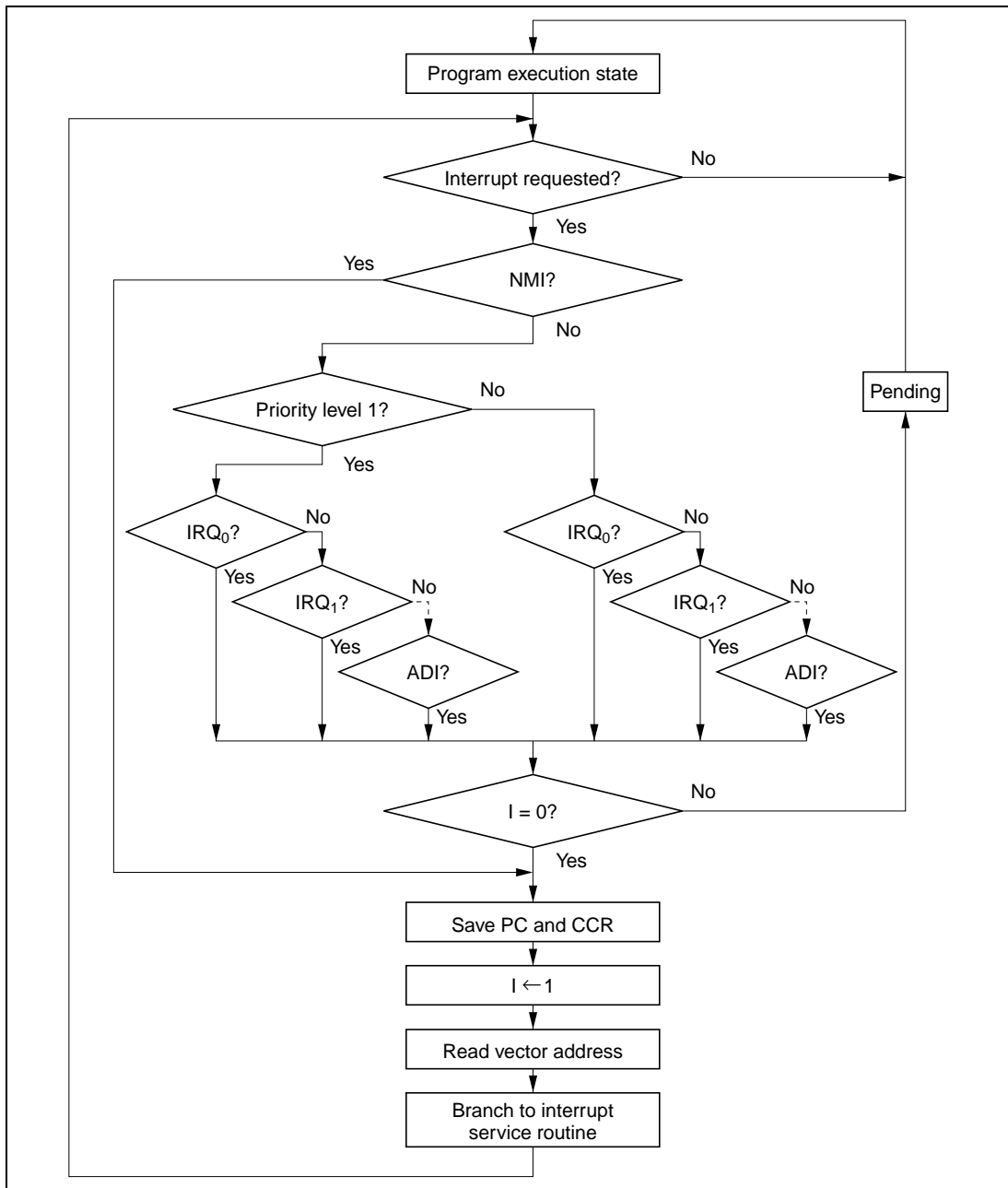


Figure 5.4 Process Up to Interrupt Acceptance when UE = 1

- If an interrupt condition occurs and the corresponding interrupt enable bit is set to 1, an interrupt request is sent to the interrupt controller.
- When the interrupt controller receives one or more interrupt requests, it selects the highest-priority request, following the IPR interrupt priority settings, and holds other requests pending. If two or more interrupts with the same IPR setting are requested simultaneously, the interrupt controller follows the priority order shown in table 5.3.
- The interrupt controller checks the I bit. If the I bit is cleared to 0, the selected interrupt request is accepted. If the I bit is set to 1, only NMI is accepted; other interrupt requests are held pending.
- When an interrupt request is accepted, interrupt exception handling starts after execution of the current instruction has been completed.
- In interrupt exception handling, PC and CCR are saved to the stack area. The PC value that is saved indicates the address of the first instruction that will be executed after the return from the interrupt service routine.
- Next the I bit is set to 1 in CCR, masking all interrupts except NMI.
- The vector address of the accepted interrupt is generated, and the interrupt service routine starts executing from the address indicated by the contents of the vector address.

UE = 0

The I and UI bits in the CPU's CCR and the IPR bits enable three-level masking of IRQ_0 , IRQ_1 , IRQ_4 , and IRQ_5 interrupts and interrupts from the on-chip supporting modules.

- Interrupt requests with priority level 0 are masked when the I bit is set to 1, and are unmasked when the I bit is cleared to 0.
- Interrupt requests with priority level 1 are masked when the I and UI bits are both set to 1, and are unmasked when either the I bit or the UI bit is cleared to 0.

For example, if the interrupt enable bits of all interrupt requests are set to 1, IPRA is set to H'10, and IPRB is set to H'00 (giving IRQ_4 and IRQ_5 interrupt requests priority over other interrupts), interrupts are masked as follows:

- a. If $I = 0$, all interrupts are unmasked (priority order: $NMI > IRQ_4 > IRQ_5 > IRQ_0 \dots$).
- b. If $I = 1$ and $UI = 0$, only NMI, IRQ_4 , and IRQ_5 are unmasked.
- c. If $I = 1$ and $UI = 1$, all interrupts are masked except NMI.

Figure 5.5 shows the transitions among the above states.

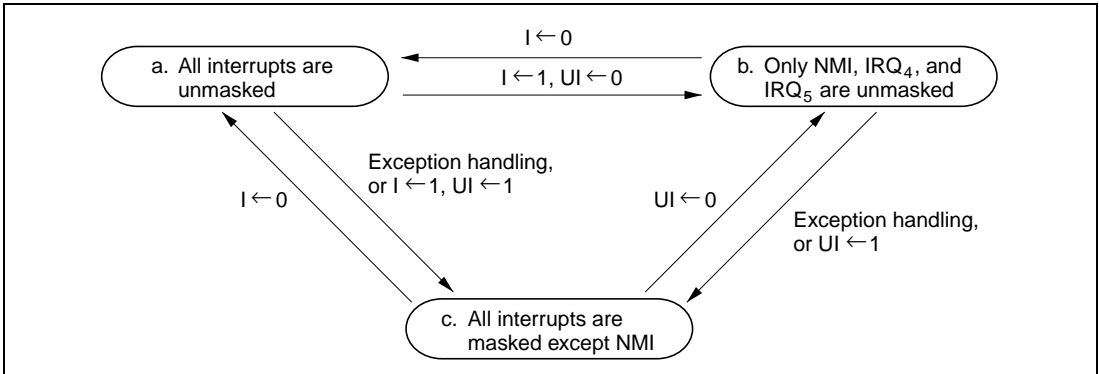


Figure 5.5 Interrupt Masking State Transitions (Example)

Figure 5.6 is a flowchart showing how interrupts are accepted when $UE = 0$.

- If an interrupt condition occurs and the corresponding interrupt enable bit is set to 1, an interrupt request is sent to the interrupt controller.
- When the interrupt controller receives one or more interrupt requests, it selects the highest-priority request, following the IPR interrupt priority settings, and holds other requests pending. If two or more interrupts with the same IPR setting are requested simultaneously, the interrupt controller follows the priority order shown in table 5.3.
- The interrupt controller checks the I bit. If the I bit is cleared to 0, the selected interrupt request is accepted regardless of its IPR setting, and regardless of the UI bit. If the I bit is set to 1 and the UI bit is cleared to 0, only NMI and interrupts with priority level 1 are accepted; interrupt requests with priority level 0 are held pending. If the I bit and UI bit are both set to 1, only NMI is accepted; all other interrupt requests are held pending.
- When an interrupt request is accepted, interrupt exception handling starts after execution of the current instruction has been completed.
- In interrupt exception handling, PC and CCR are saved to the stack area. The PC value that is saved indicates the address of the first instruction that will be executed after the return from the interrupt service routine.
- The I and UI bits are set to 1 in CCR, masking all interrupts except NMI.
- The vector address of the accepted interrupt is generated, and the interrupt service routine starts executing from the address indicated by the contents of the vector address.

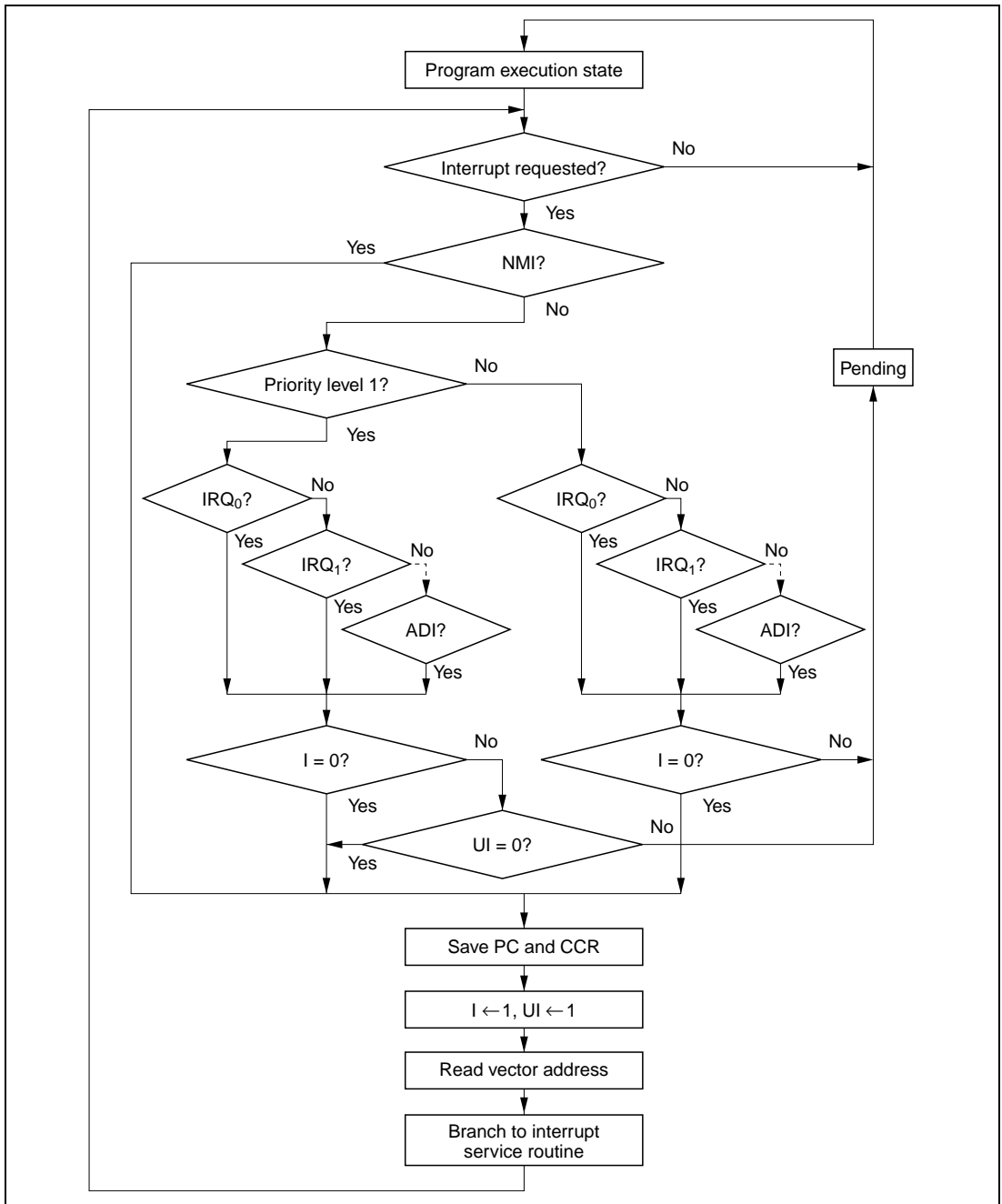


Figure 5.6 Process Up to Interrupt Acceptance when UE = 0

5.4.2 Interrupt Sequence

Figure 5.7 shows the interrupt sequence in mode 5 when the program code and stack are in an on-chip memory area.

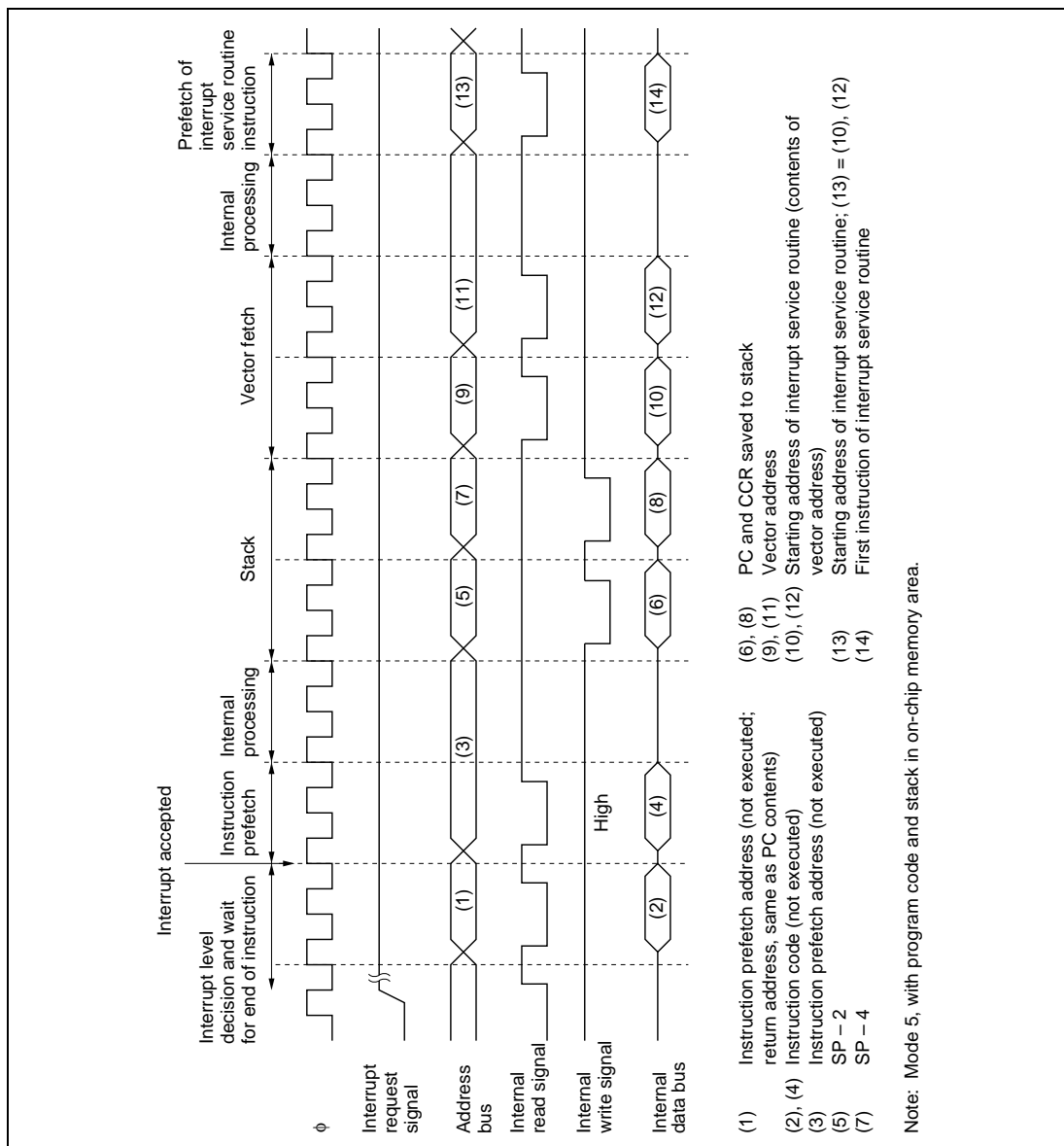


Figure 5.7 Interrupt Sequence (Mode 5, Stack in On-Chip Memory)

5.4.3 Interrupt Response Time

Table 5.5 indicates the interrupt response time from the occurrence of an interrupt request until the first instruction of the interrupt service routine is executed.

Table 5.5 Interrupt Response Time

| No. | Item | On-Chip Memory | External Memory | |
|-------|--|-------------------|-----------------|-----------------------|
| | | | 8-Bit Bus | |
| | | | 2 States | 3 States |
| 1 | Interrupt priority decision | 2 ^{*1} | 2 ^{*1} | 2 ^{*1} |
| 2 | Maximum number of states until end of current instruction | 1 to 23 | 1 to 27 | 1 to 31 ^{*4} |
| 3 | Saving PC and CCR to stack | 4 | 8 | 12 ^{*4} |
| 4 | Vector fetch | 4 | 8 | 12 ^{*4} |
| 5 | Instruction prefetch ^{*2} | 4 | 8 | 12 ^{*4} |
| 6 | Internal processing ^{*3} | 4 | 4 | 4 |
| Total | | 19 to 41 | 31 to 57 | 43 to 73 |

Notes: 1. 1 state for internal interrupts.

2. Prefetch after the interrupt is accepted and prefetch of the first instruction in the interrupt service routine.
3. Internal processing after the interrupt is accepted and internal processing after prefetch.
4. The number of states increases if wait states are inserted in external memory access.

5.5 Usage Notes

5.5.1 Contention between Interrupt and Interrupt-Disabling Instruction

When an instruction clears an interrupt enable bit to 0 to disable the interrupt, the interrupt is not disabled until after execution of the instruction is completed. If an interrupt occurs while a BCLR, MOV, or other instruction is being executed to clear its interrupt enable bit to 0, at the instant when execution of the instruction ends the interrupt is still enabled, so its interrupt exception handling is carried out. If a higher-priority interrupt is also requested, however, interrupt exception handling for the higher-priority interrupt is carried out, and the lower-priority interrupt is ignored. This also applies to the clearing of an interrupt flag.

Figure 5.8 shows an example in which an IMIEA bit is cleared to 0 in the ITU's TIER.

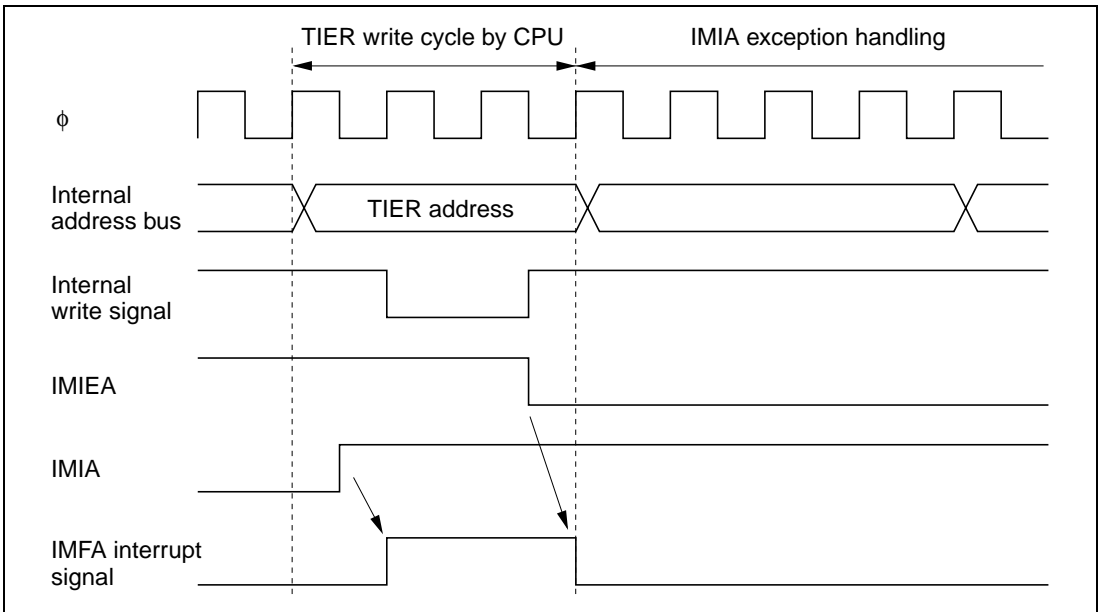


Figure 5.8 Contention between Interrupt and Interrupt-Disabling Instruction

This type of contention will not occur if the interrupt is masked when the interrupt enable bit or flag is cleared to 0.

5.5.2 Instructions that Inhibit Interrupts

The LDC, ANDC, ORC, and XORC instructions inhibit interrupts. When an interrupt occurs, after determining the interrupt priority, the interrupt controller requests a CPU interrupt. If the CPU is currently executing one of these interrupt-inhibiting instructions, however, when the instruction is completed the CPU always continues by executing the next instruction.

5.5.3 Interrupts during EEPMOV Instruction Execution

The EEPMOV.B and EEPMOV.W instructions differ in their reaction to interrupt requests.

When the EEPMOV.B instruction is executing a transfer, no interrupts are accepted until the transfer is completed, not even NMI.

When the EEPMOV.W instruction is executing a transfer, interrupt requests other than NMI are not accepted until the transfer is completed. If NMI is requested, NMI exception handling starts at a transfer cycle boundary. The PC value saved on the stack is the address of the next instruction. Programs should be coded as follows to allow for NMI interrupts during EEPMOV.W execution:

```
L1: EEPMO V.W
      MOV.W R4, R4
      BNE L1
```

5.5.4 Usage Notes

The IRQnF flag specification calls for the flag to be cleared by writing 0 to it after it has been read while set to 1. However, it is possible for the IRQnF flag to be cleared by mistake simply by writing 0 to it, irrespective of whether it has been read while set to 1, with the result that interrupt exception handling is not executed. This will occur when the following conditions are met.

1. Setting Conditions

- (1) Multiple external interrupts (IRQa, IRQb) are being used.
- (2) Different clearing methods are being used: clearing by writing 0 for the IRQaF flag, and clearing by hardware for the IRQbF flag.
- (3) A bit-manipulation instruction is used on the IRQ status register for clearing the IRQaF flag, or else ISR is read as a byte unit, the IRQaF flag bit is cleared, and the values read in the other bits are written as a byte unit.

2. Generation Conditions

- (1) A read of the ISR register is executed to clear the IRQaF flag while it is set to 1, then the IRQbF flag is cleared by the execution of interrupt exception handling.
- (2) When the IRQaF flag is cleared, there is contention with IRQb generation (IRQaF flag setting). (IRQbF was 0 when ISR was read to clear the IRQaF flag, but IRQbF is set to 1 before ISR is written to.)

If the above setting conditions (1) to (3) and generation conditions (1) and (2) are all fulfilled, when the ISR write in generation condition (2) is performed the IRQbF flag will be cleared inadvertently, and interrupt exception handling will not be executed.

However, this inadvertent clearing of the IRQbF flag will not occur if 0 is written to this flag even once between generation conditions (1) and (2).

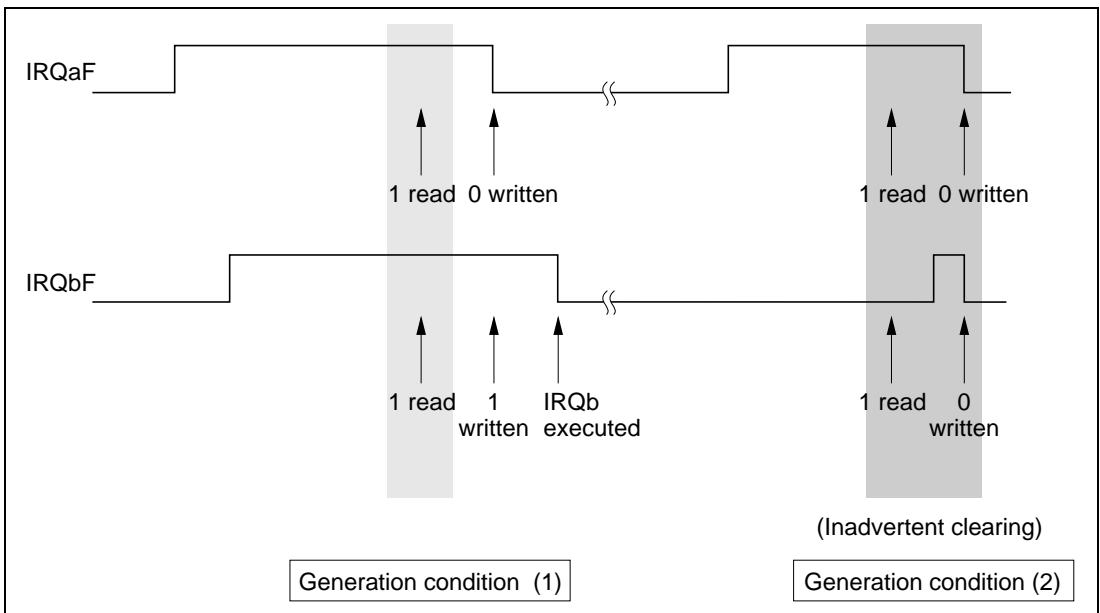


Figure 5.9 IRQnF Flag when Interrupt Exception Handling is not Executed

Either of the methods shown below should be used to prevent this problem.

Method 1: When clearing the IRQaF flag, read ISR as a byte unit instead of using a bit-manipulation instruction, and write a byte value that clears the IRQaF flag to 0 and sets the other bits to 1.

Example: When a = 0

```
MOV.B @ISR, R0L
MOV.B #HFE, R0L
MOV.B R0L, @ISR
```

Method 2: Perform dummy processing within the IRQb interrupt exception handling routine to clear the IRQbF flag.

Example: When b = 1

```
IRQB MOV.B #HFD, R0L
      MOV.B R0L, @ISR
```

Section 6 Bus Controller

6.1 Overview

The H8/3039 Group has an on-chip bus controller that divides the external address space into eight areas and can assign different bus specifications to each. This enables different types of memory to be connected easily.

6.1.1 Features

Features of the bus controller are listed below.

- Independent settings for address areas 0 to 7
 - 128-kbyte areas in 1-Mbyte mode.
 - 2-Mbyte areas in 16-Mbyte mode.
 - Areas can be designated for two-state or three-state access.
- Four wait modes
 - Programmable wait mode, pin auto-wait mode, and pin wait modes 0 and 1 can be selected.
 - Zero to three wait states can be inserted automatically.

6.1.2 Block Diagram

Figure 6.1 shows a block diagram of the bus controller.

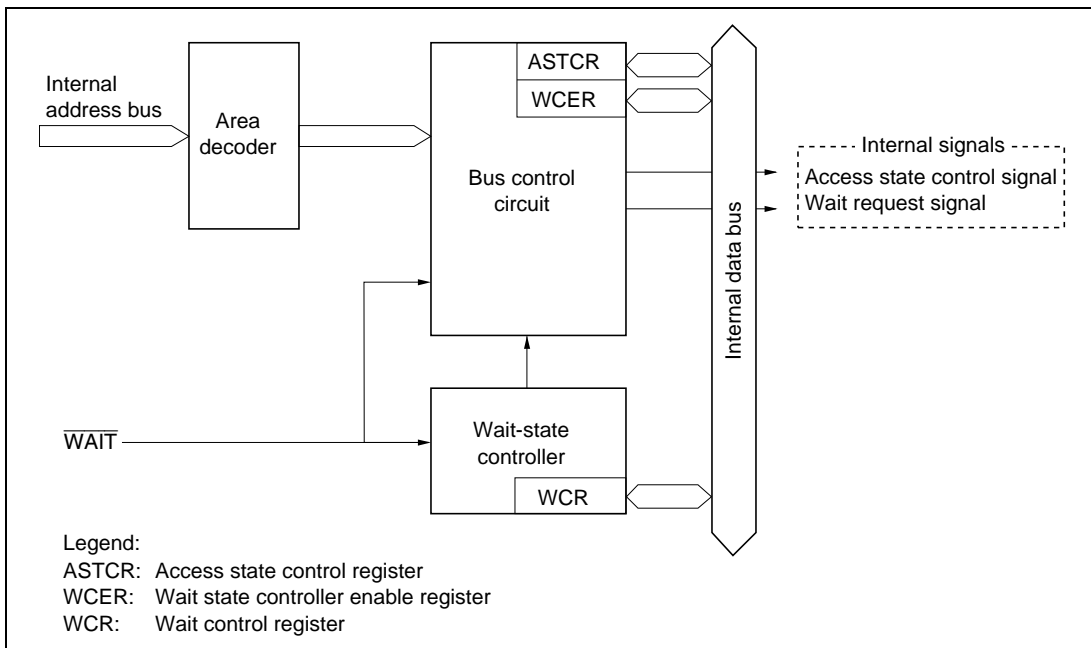


Figure 6.1 Block Diagram of Bus Controller

6.1.3 Input/Output Pins

Table 6.1 summarizes the bus controller's input/output pins.

Table 6.1 Bus Controller Pins

| Name | Abbreviation | I/O | Function |
|----------------|-------------------|--------|---|
| Address strobe | \overline{AS} | Output | Strobe signal indicating valid address output on the address bus |
| Read | \overline{RD} | Output | Strobe signal indicating reading from the external address space |
| Write | \overline{WR} | Output | Strobe signal indicating writing to the external address space, with valid data on the data bus(D7 to D0) |
| Wait | \overline{WAIT} | Input | Wait request signal for access to external three-state-access areas |

6.1.4 Register Configuration

Table 6.2 summarizes the bus controller's registers.

Table 6.2 Bus Controller Registers

| Address* | Name | Abbreviation | R/W | Initial Value |
|----------|---------------------------------------|--------------|-----|---------------|
| H'FFED | Access state control register | ASTCR | R/W | H'FF |
| H'FFEE | Wait control register | WCR | R/W | H'F3 |
| H'FFEF | Wait state controller enable register | WCER | R/W | H'FF |
| H'FFF3 | Address control register | ADRCR | R/W | H'FE |

Note: * Lower 16 bits of the address.

6.2 Register Descriptions

6.2.1 Access State Control Register (ASTCR)

ASTCR is an 8-bit readable/writable register that selects whether each area is accessed in two states or three states.

| | | | | | | | | |
|---------------|------|------|------|------|------|------|------|------|
| Bit | 7 | 6 | 5 | 4 | 3 | 2 | 1 | 0 |
| | AST7 | AST6 | AST5 | AST4 | AST3 | AST2 | AST1 | AST0 |
| Initial value | 1 | 1 | 1 | 1 | 1 | 1 | 1 | 1 |
| Read/Write | R/W | R/W | R/W | R/W | R/W | R/W | R/W | R/W |

Bits selecting number of states for access to each area

ASTCR is initialized to H'FF by a reset and in hardware standby mode. It is not initialized in software standby mode.

Bits 7 to 0—Area 7 to 0 Access State Control (AST7 to AST0): These bits select whether the corresponding area is accessed in two or three states.

Bits 7 to 0

| AST7 to AST0 | Description |
|--------------|---|
| 0 | Areas 7 to 0 are accessed in two states |
| 1 | Areas 7 to 0 are accessed in three states (Initial value) |

ASTCR specifies the number of states in which external areas are accessed. On-chip memory and registers are accessed in a fixed number of states that does not depend on ASTCR settings. Therefore, in the single-chip modes (modes 6 and 7), the set value is meaningless.

6.2.2 Wait Control Register (WCR)

WCR is an 8-bit readable/writable register that selects the wait mode for the wait-state controller (WSC) and specifies the number of wait states.

| Bit | 7 | 6 | 5 | 4 | 3 | 2 | 1 | 0 |
|---------------|---|---|---|---|------|------|-----|-----|
| | — | — | — | — | WMS1 | WMS0 | WC1 | WC0 |
| Initial value | 1 | 1 | 1 | 1 | 0 | 0 | 1 | 1 |
| Read/Write | — | — | — | — | R/W | R/W | R/W | R/W |

Reserved bits
 These bits are reserved and always read as 1.

Wait mode select 1/0
 These bits select the wait mode.

Wait count 1/0
 These bits select the number of wait states inserted.

WCR is initialized to H'F3 by a reset and in hardware standby mode. It is not initialized in software standby mode.

Bits 7 to 4—Reserved: These bits cannot be modified and are always read as 1.

Bits 3 and 2—Wait Mode Select 1 and 0 (WMS1/0): These bits select the wait mode.

| Bit3 WMS1 | Bit2 WMS0 | Description | |
|--------------|--------------|--|-----------------|
| 0 | 0 | Programmable wait mode | (Initial value) |
| | 1 | No wait states inserted by wait-state controller | |
| 1 | 0 | Pin wait mode 1 | |
| | 1 | Pin auto-wait mode | |

Bits 1 and 0—Wait Count 1 and 0 (WC1/0): These bits select the number of wait states inserted in access to external three-state-access areas.

| Bit1 WC1 | Bit0 WC0 | Description |
|-------------|-------------|--|
| 0 | 0 | No wait states inserted by wait-state controller |
| | 1 | 1 state inserted |
| 1 | 0 | 2 states inserted |
| | 1 | 3 states inserted (Initial value) |

6.2.3 Wait State Controller Enable Register (WCER)

WCER is an 8-bit readable/writable register that enables or disables wait-state control of external three-state-access areas by the wait-state controller.

| Bit | 7 | 6 | 5 | 4 | 3 | 2 | 1 | 0 |
|---------------|------|------|------|------|------|------|------|------|
| | WCE7 | WCE6 | WCE5 | WCE4 | WCE3 | WCE2 | WCE1 | WCE0 |
| Initial value | 1 | 1 | 1 | 1 | 1 | 1 | 1 | 1 |
| Read/Write | R/W | R/W | R/W | R/W | R/W | R/W | R/W | R/W |

Wait state controller enable 7 to 0

These bits enable or disable wait-state control

WCER is initialized to H'FF by a reset and in hardware standby mode. It is not initialized in software standby mode.

Bits 7 to 0—Wait-State Controller Enable 7 to 0 (WCE7 to WCE0): These bits enable or disable wait-state control of external three-state-access areas.

Bits 7 to 0

| WCE7 to WCE0 | Description |
|--------------|---|
| 0 | Wait-state control disabled (pin wait mode 0) |
| 1 | Wait-state control enabled (Initial value) |

WCER enables or disables wait-state control of external three-state-access areas. Therefore, in the single-chip modes (modes 6 and 7), the set value is meaningless.

6.2.4 Address Control Register (ADRCR)

ADRCR is an 8-bit readable/writable register that enables address output on bus lines A₂₃ to A₂₁.

| Bit | | 7 | 6 | 5 | 4 | 3 | 2 | 1 | 0 |
|-----------------------|---------------|-------------------|-------------------|-------------------|---|---|---|---|-----|
| | | A ₂₃ E | A ₂₂ E | A ₂₁ E | — | — | — | — | — |
| Modes 1 and 5 to 7 | Initial value | 1 | 1 | 1 | 1 | 1 | 1 | 1 | 0 |
| | Read/Write | — | — | — | — | — | — | — | R/W |
| Mode 3 | Initial value | 1 | 1 | 1 | 1 | 1 | 1 | 1 | 0 |
| | Read/Write | R/W | R/W | R/W | — | — | — | — | R/W |

Address 23 to 21 enable
Reserved bits

These bits enable PA₆ to PA₄ to be used for A₂₃ to A₂₁ address output

ADRCR is initialized to H'FE by a reset and in hardware standby mode. It is not initialized in software standby mode.

Bit 7—Address 23 Enable (A₂₃E): Enables PA₄ to be used as the A₂₃ address output pin. Writing 0 in this bit enables A₂₃ address output from PA₄. In modes other than 3 this bit cannot be modified and PA₄ has its ordinary input/output functions

Bit 7

| A ₂₃ E | Description |
|-------------------|--|
| 0 | PA ₄ is the A ₂₃ address output pin |
| 1 | PA ₄ is the PA ₄ /TP ₄ /TIOCA ₁ input/output pin (Initial value) |

Bit 6—Address 22 Enable (A₂₂E): Enables PA₅ to be used as the A₂₂ address output pin. Writing 0 in this bit enables A₂₂ address output from PA₅. In modes other than 3 this bit cannot be modified and PA₅ has its ordinary input/output functions.

Bit 6

| A ₂₂ E | Description |
|-------------------|--|
| 0 | PA ₅ is the A ₂₂ address output pin |
| 1 | PA ₅ is the PA ₅ /TP ₅ /TIOCB ₁ input/output pin (Initial value) |

Bit 5—Address 21 Enable (A₂₁E): Enables PA₆ to be used as the A₂₁ address output pin. Writing 0 in this bit enables A₂₁ address output from PA₆. In modes other than 3 this bit cannot be modified and PA₆ has its ordinary input/output functions.

Bit 5

| A ₂₁ E | Description | |
|-------------------|--|-----------------|
| 0 | PA ₆ is the A ₂₁ address output pin | |
| 1 | PA ₆ is the PA ₆ /TP ₆ /TIOCA ₂ input/output pin | (Initial value) |

Bits 4 to 0—Reserved

6.3 Operation

6.3.1 Area Division

The external address space is divided into areas 0 to 7. Each area has a size of 128 kbytes in the 1-Mbyte mode and 2 Mbytes in the 16-Mbyte mode. Figure 6.2 shows a general view of the memory map.

| | | | | | |
|--------------------|--|-----------------------|--|--------------------|--|
| H'00000 | Area 0 (128 kbytes) | H'000000 | Area 0 (2 Mbytes) | H'00000 | On-chip ROM* ¹ |
| H'1FFFF H'20000 | Area 1 (128 kbytes) | H'1FFFFFF H'200000 | Area 1 (2 Mbytes) | H'1FFFF H'20000 | Area 0 (128 kbytes) |
| H'3FFFF H'40000 | Area 2 (128 kbytes) | H'3FFFFFF H'400000 | Area 2 (2 Mbytes) | H'3FFFF H'40000 | Area 1 (128 kbytes) |
| H'5FFFF H'60000 | Area 3 (128 kbytes) | H'5FFFFFF H'600000 | Area 3 (2 Mbytes) | H'5FFFF H'60000 | Area 2 (128 kbytes) |
| H'7FFFF H'80000 | Area 4 (128 kbytes) | H'7FFFFFF H'800000 | Area 4 (2 Mbytes) | H'7FFFF H'80000 | Area 3 (128 kbytes) |
| H'9FFFF H'A0000 | Area 5 (128 kbytes) | H'9FFFFFF H'A00000 | Area 5 (2 Mbytes) | H'9FFFF H'A0000 | Area 4 (128 kbytes) |
| H'BFFFF H'C0000 | Area 6 (128 kbytes) | H'BFFFFFF H'C00000 | Area 6 (2 Mbytes) | H'BFFFF H'C0000 | Area 5 (128 kbytes) |
| H'DFFFF H'E0000 | Area 7 (128 kbytes) | H'DFFFFFF H'E00000 | Area 7 (2 Mbytes) | H'DFFFF H'E0000 | Area 6 (128 kbytes) |
| | On-chip RAM* ¹ * ² | | On-chip RAM* ¹ * ² | | Area 7 (128 kbytes) |
| | External address space* ³ | | External address space* ³ | | On-chip RAM* ¹ * ² |
| H'FFFFFF | On-chip I/O registers* ¹ | H'FFFFFF | On-chip I/O registers* ¹ | H'FFFFFF | External address space* ³ |
| | | | | | On-chip I/O registers* ¹ |

a. 1-Mbyte modes with on-chip ROM disabled (mode 1)

b. 16-Mbyte modes with on-chip ROM disabled (mode 3)

c. 1-Mbyte mode with on-chip ROM enabled (mode 5)

Notes: There is no area division in modes 6 and 7.

1. The number of access states to on-chip ROM, on-chip RAM, and on-chip I/O registers is fixed.
2. This area follows area 7 specifications when the RAME bit in SYSCR is 0.
3. This area follows area 7 specifications.

Figure 6.2 Access Area Map (Mode 1, 3, and 5)

The bus specifications for each area can be selected in ASTCR, WCER, and WCR as shown in table 6.3.

Table 6.3 Bus Specifications

| ASTCR | WCER | WCR | | Bus Specifications | | | |
|-------|------|------|------|--------------------|--------------------|-----------|------------------------|
| | | ASTn | WCEn | WMS1 | WMS0 | Bus Width | Access States |
| 0 | — | — | — | — | 8 | 2 | Disabled |
| 1 | 0 | — | — | — | 8 | 3 | Pin wait mode 0 |
| | | 1 | 0 | 0 | 8 | 3 | Programmable wait mode |
| | | | 1 | 8 | 3 | Disabled | |
| | 1 | 0 | 8 | 3 | Pin wait mode 1 | | |
| | | 1 | 8 | 3 | Pin auto-wait mode | | |

Note: n = 0 to 7

6.3.2 Bus Control Signal Timing

8-Bit, Three-State-Access Areas

Figure 6.3 shows the timing of bus control signals for an 8-bit, three-state-access area. Wait states can be inserted.

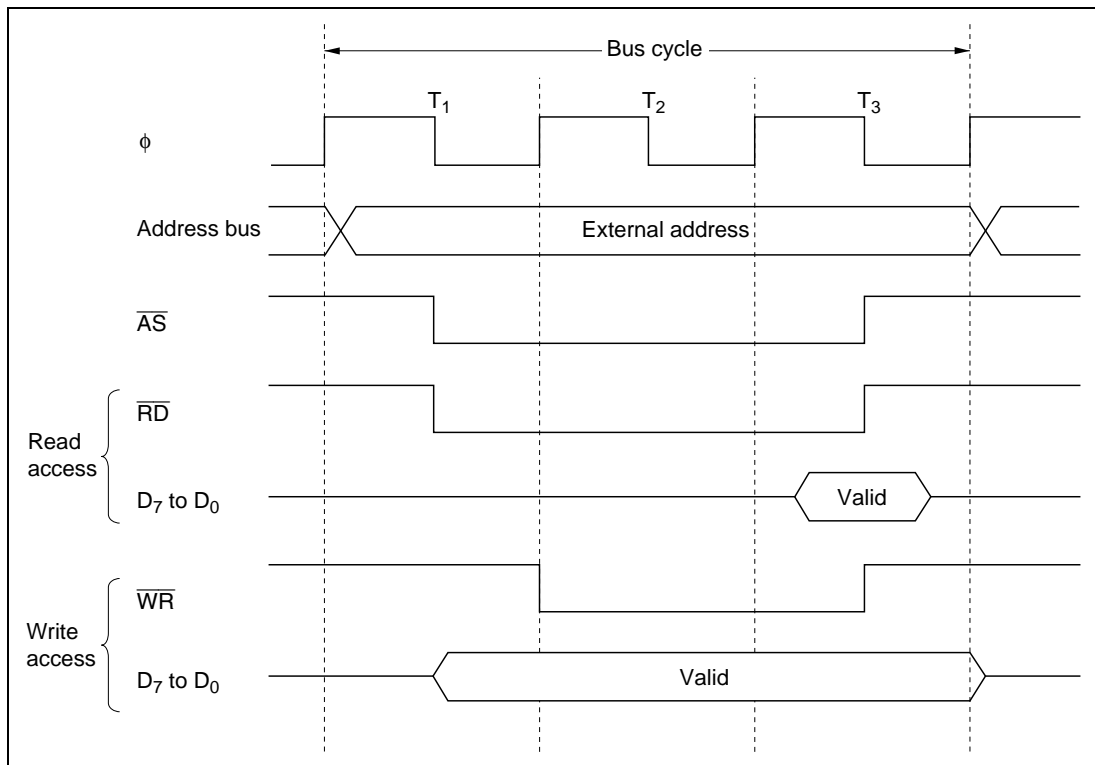


Figure 6.3 Bus Control Signal Timing for 8-Bit, Three-State-Access Area

8-Bit, Two-State-Access Areas

Figure 6.4 shows the timing of bus control signals for an 8-bit, two-state-access area. Wait states cannot be inserted.

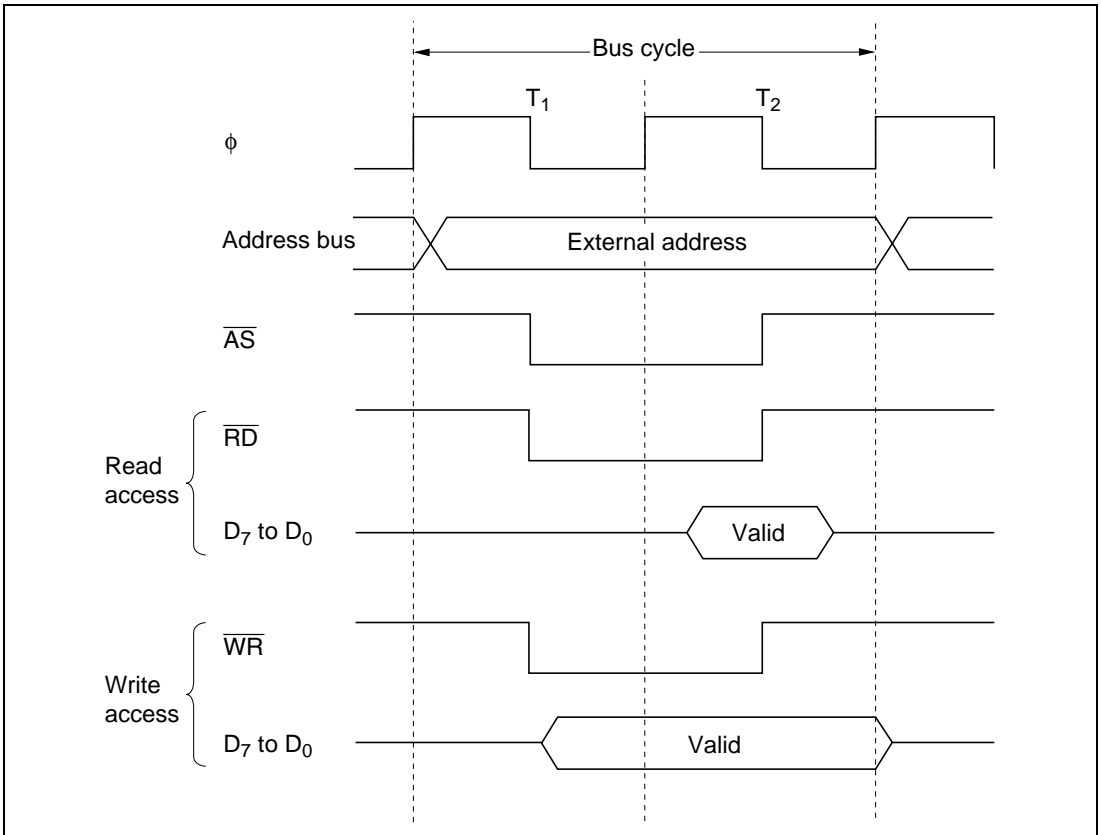


Figure 6.4 Bus Control Signal Timing for 8-Bit, Two-State-Access Area

6.3.3 Wait Modes

Four wait modes can be selected for each area as shown in table 6.4.

Table 6.4 Wait Mode Selection

| ASTCR | WCER | WCR | | WSC Control | Wait Mode | |
|-----------------|-----------------|-----------------|-----------------|--------------------|--------------------|------------------------|
| ASTn Bit | WCEn Bit | WMS1 Bit | WMS0 Bit | | | |
| 0 | — | — | — | Disabled | No wait states | |
| 1 | 0 | — | — | Disabled | Pin wait mode 0 | |
| | | | 0 | 0 | Enabled | Programmable wait mode |
| | 1 | 1 | 0 | 1 | Enabled | No wait states |
| | | | 0 | 1 | Enabled | Pin wait mode 1 |
| | | | 1 | Enabled | Pin auto-wait mode | |

Note: n = 0 to 7

The ASTn and WCEn bits can be set independently for each area. Bits WMS1 and WMS0 apply to all areas. All areas for which WSC control is enabled operate in the same wait mode.

Pin Wait Mode 0

The wait state controller is disabled. Wait states can only be inserted by $\overline{\text{WAIT}}$ pin control. During access to an external three-state-access area, if the $\overline{\text{WAIT}}$ pin is low at the fall of the system clock (ϕ) in the T_2 state, a wait state (T_w) is inserted. If the $\overline{\text{WAIT}}$ pin remains low, wait states continue to be inserted until the $\overline{\text{WAIT}}$ signal goes high. Figure 6.5 shows the timing.

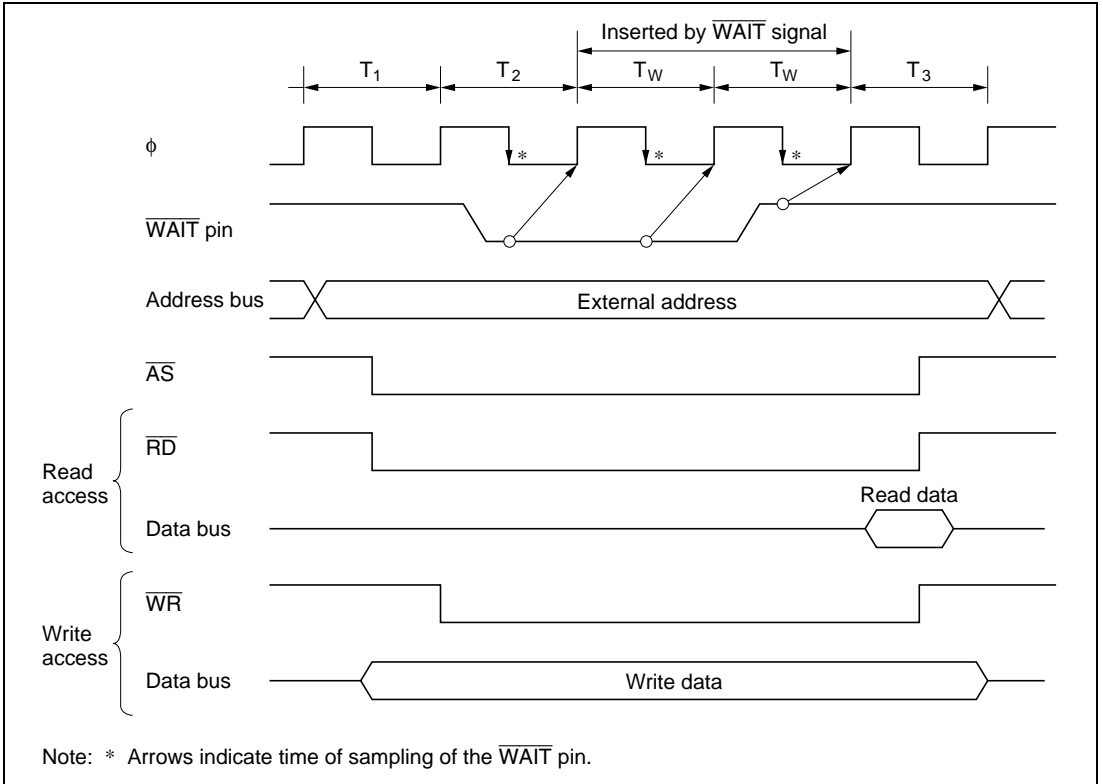


Figure 6.5 Pin Wait Mode 0

Pin Wait Mode 1

In all accesses to external three-state-access areas, the number of wait states (T_w) selected by bits WC1 and WC0 are inserted. If the $\overline{\text{WAIT}}$ pin is low at the fall of the system clock (ϕ) in the last of these wait states, an additional wait state is inserted. If the $\overline{\text{WAIT}}$ pin remains low, wait states continue to be inserted until the $\overline{\text{WAIT}}$ signal goes high.

Pin wait mode 1 is useful for inserting four or more wait states, or for inserting different numbers of wait states for different external devices.

If the wait count is 0, this mode operates in the same way as pin wait mode 0.

Figure 6.6 shows the timing when the wait count is 1 ($\text{WC1} = 0$, $\text{WC0} = 1$) and one additional wait state is inserted by $\overline{\text{WAIT}}$ input.

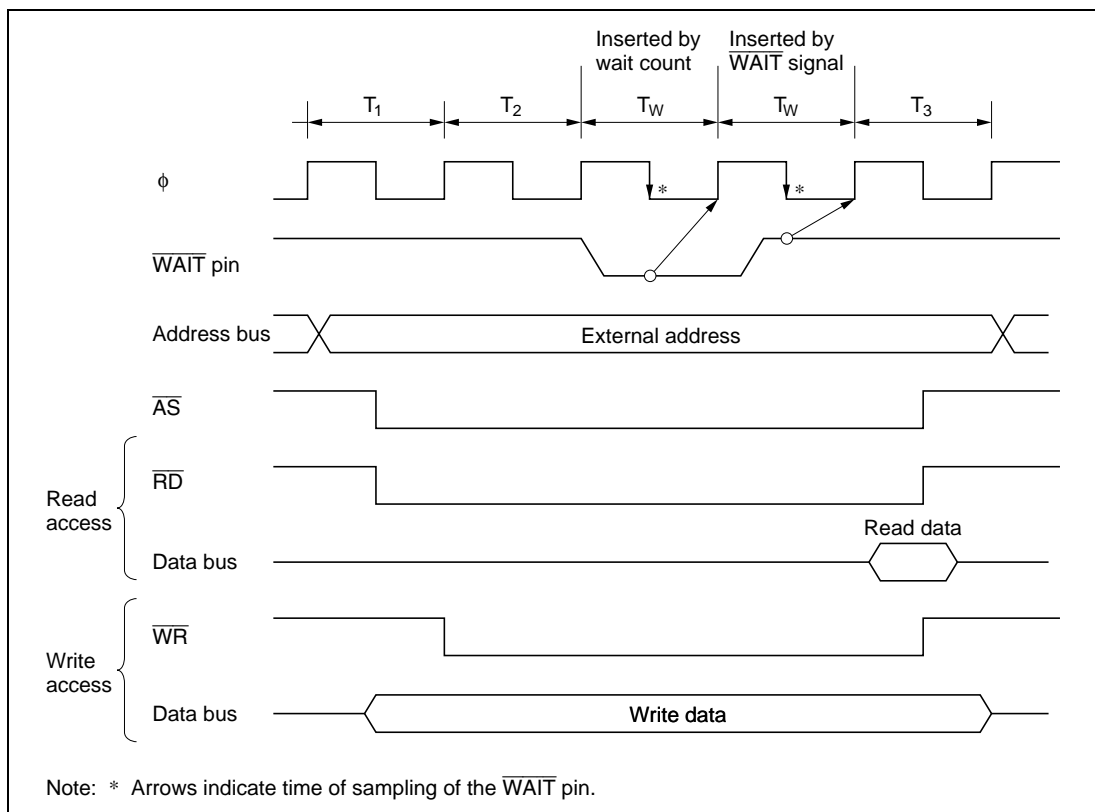


Figure 6.6 Pin Wait Mode 1

Pin Auto-Wait Mode

If the $\overline{\text{WAIT}}$ pin is low, the number of wait states (T_w) selected by bits WC1 and WC0 are inserted.

In pin auto-wait mode, if the $\overline{\text{WAIT}}$ pin is low at the fall of the system clock (ϕ) in the T_2 state, the number of wait states (T_w) selected by bits WC1 and WC0 are inserted. No additional wait states are inserted even if the $\overline{\text{WAIT}}$ pin remains low.

Figure 6.7 shows the timing when the wait count is 1.

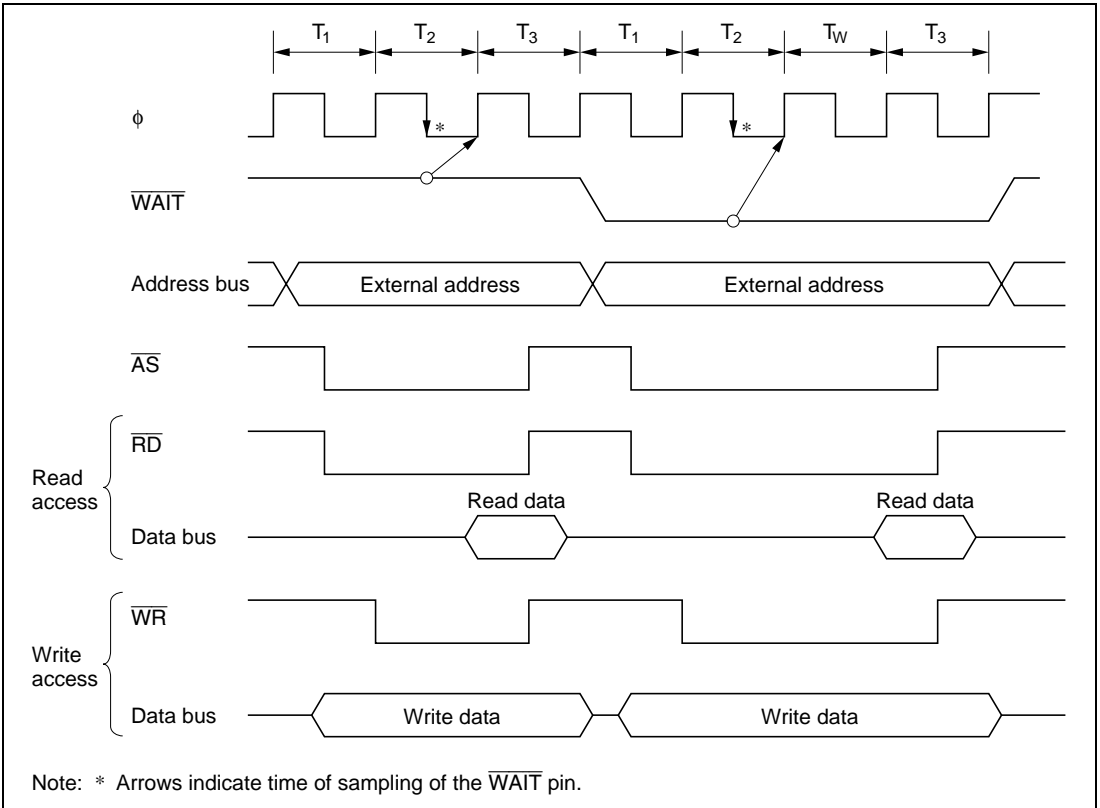


Figure 6.7 Pin Auto-Wait Mode

Programmable Wait Mode

The number of wait states (T_w) selected by bits WC1 and WC0 are inserted in all accesses to external three-state-access areas. Figure 6.8 shows the timing when the wait count is 1 (WC1 = 0, WC0 = 1).

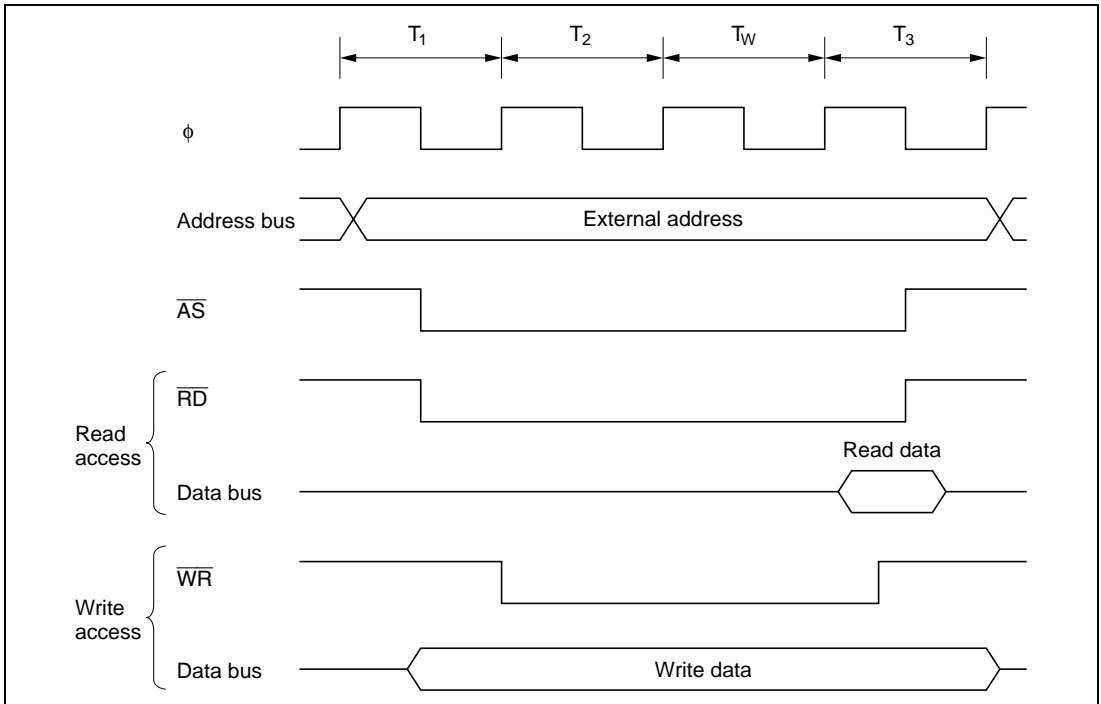


Figure 6.8 Programmable Wait Mode

Example of Wait State Control Settings

A reset initializes ASTCR and WCER to H'FF and WCR to H'F3, selecting programmable wait mode and three wait states for all areas. Software can select other wait modes for individual areas by modifying the ASTCR, WCER, and WCR settings. Figure 6.9 shows an example of wait mode settings.

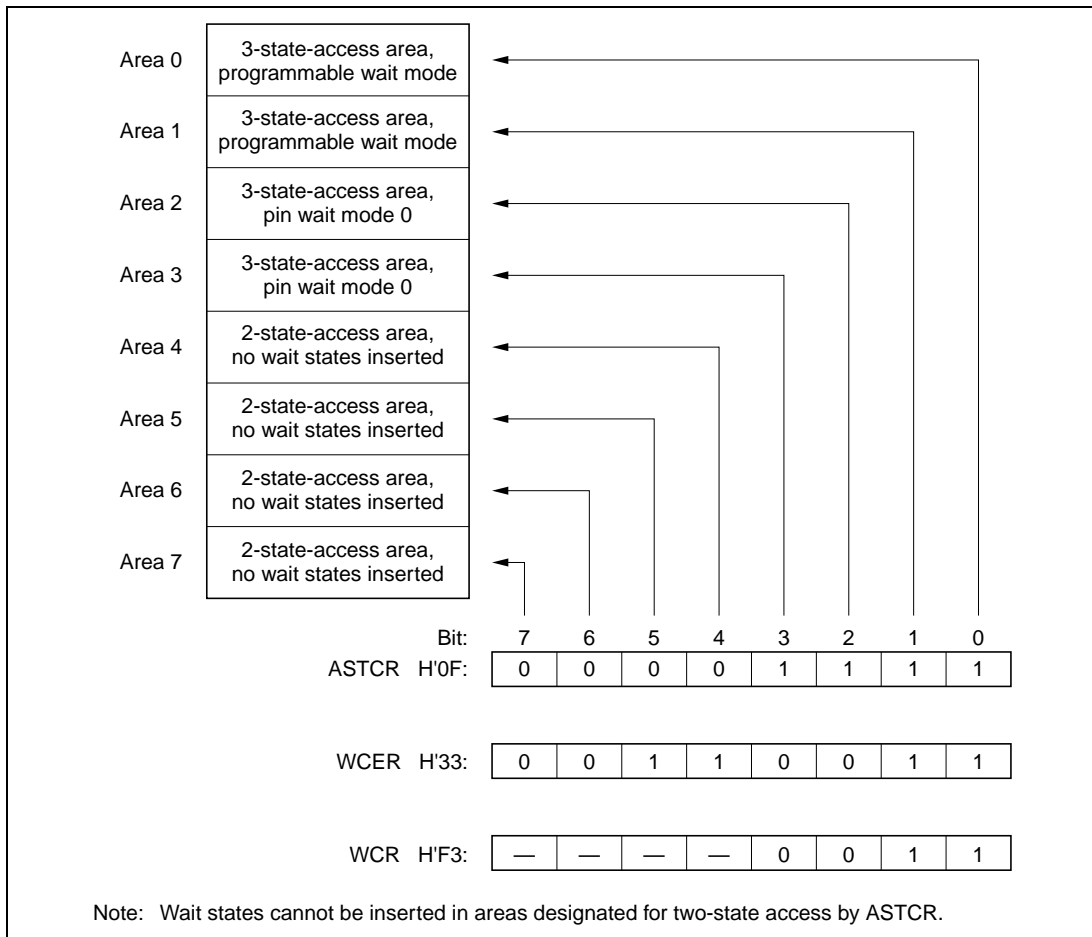


Figure 6.9 Wait Mode Settings (Example)

6.3.4 Interconnections with Memory (Example)

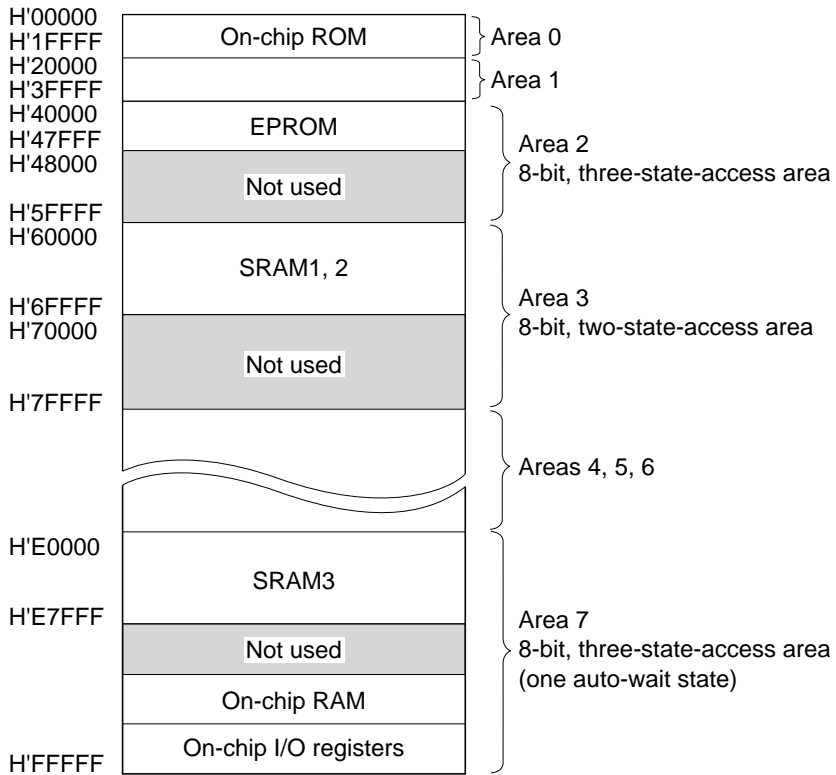
For each area, the bus controller can select two- or three-state access. In three-state-access areas, wait states can be inserted in a variety of modes, simplifying the connection of both high-speed and low-speed devices.

Figure 6.10 shows a memory map for this example.

A 32-kword \times 8-bit EPROM is connected to area 2. This device is accessed in three states via an 8-bit bus.

Two 32-kword \times 8-bit SRAM devices (SRAM1 and SRAM2) are connected to area 3. These devices are accessed in two states via an 8-bit bus.

One 32-kword \times 8-bit SRAM (SRAM3) is connected to area 7. This device is accessed via an 8-bit bus, using three-state access with an additional wait state inserted in pin auto-wait mode.



Note: The bus width and the number of access states of the on-chip memories and I/O registers are fixed; they cannot be changed by register setting.

Figure 6.10 Memory Map (H8/3039 Mode 5)

6.4 Usage Notes

6.4.1 Register Write Timing

ASTCR and WCER Write Timing

Data written to ASTCR or WCER takes effect starting from the next bus cycle. Figure 6.11 shows the timing when an instruction fetched from area 2 changes area 2 from three-state access to two-state access.

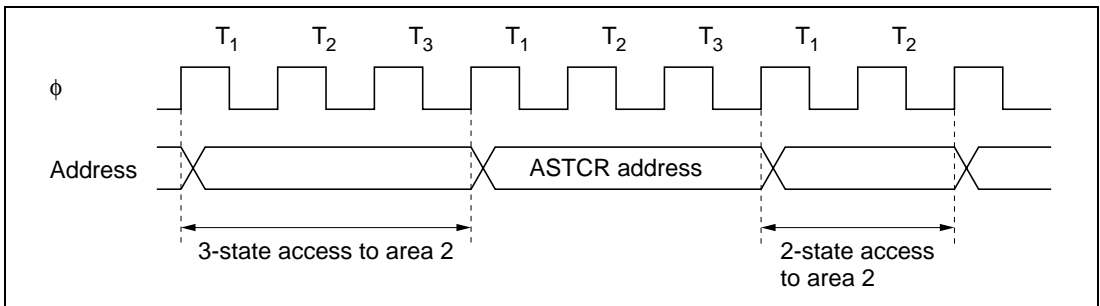


Figure 6.11 ASTCR Write Timing

6.4.2 Precautions on Setting ASTCR and ABWCR*

Use the H8/3039 Group on-chip program to set ASTCR and ABWCR as shown below, so that the on-chip ROM access cycle for H8/3039 Group can be emulated using the evaluation chip for support tools.

Modes 5 and 7

ASTCR0 = 0

ABWCR = H'FC

Note: * The ABWCR (bus width control register; lower 16-bit address: H'FFEC) is not built onto this LSI. For detailed features of the ABWCR, see the H8/3048 Group, H8/3048F-ZTAT™ Hardware Manual.

Section 7 I/O Ports

7.1 Overview

The H8/3039 Group has nine input/output ports (ports 1, 2, 3, 5, 6, 8, 9, A, and B) and one input port (port 7). Table 7.1 summarizes the port functions. The pins in each port are multiplexed as shown in table 7.1.

Each port has a data direction register (DDR) for selecting input or output, and a data register (DR) for storing output data. In addition to these registers, ports 2, and 5 have an input pull-up control register (PCR) for switching input pull-up transistors on and off.

Ports 1 to 3 and ports 5, 6, and 8 can drive one TTL load and a 90-pF capacitive load. Ports 9, A, and B can drive one TTL load and a 30-pF capacitive load. Ports 1 to 3 and ports 5, 6, 8, 9, A, and B can drive a Darlington pair. Ports 1, 2, 5, and B can drive LEDs (with 10-mA current sink). Pins P8₁, P8₀, PA₇ to PA₀, and PB₃ to PB₀ have Schmitt-trigger input circuits.

For block diagrams of the ports see appendix C, I/O Block Diagrams.

Table 7.1 Port Functions

| Port | Description | Pins | Mode 1 | Mode 3 | Mode 5 | Mode 6 | Mode 7 |
|--------|---|--|--|--------|---|--|--------|
| Port 1 | <ul style="list-style-type: none"> 8-bit I/O port Can drive LEDs | P1 ₇ to P1 ₀ / A ₇ to A ₀ | Address output pins (A ₇ to A ₀) | | Address output (A ₇ to A ₀) and generic input DDR = 0: generic input DDR = 1: address output | Generic input/ output | |
| Port 2 | <ul style="list-style-type: none"> 8-bit I/O port Input pull-up Can drive LEDs | P2 ₇ to P2 ₀ / A ₁₅ to A ₈ | Address output pins (A ₁₅ to A ₈) | | Address output (A ₁₅ to A ₈) and generic input DDR = 0: generic input DDR = 1: address output | Generic input/ output | |
| Port 3 | <ul style="list-style-type: none"> 8-bit I/O port | P3 ₇ to P3 ₀ / D ₇ to D ₀ | Data input/output (D ₇ to D ₀) | | | Generic input/ output | |
| Port 5 | <ul style="list-style-type: none"> 4-bit I/O port Input pull-up Can drive LEDs | P5 ₃ to P5 ₀ / A ₁₉ to A ₁₆ | Address output (A ₁₉ to A ₁₆) | | Address output (A ₁₉ to A ₁₆) and 4-bit generic input DDR = 0: generic input DDR = 1: address output | Generic input/ output | |
| Port 6 | <ul style="list-style-type: none"> 4-bit I/O port | P6 ₃ /WR, P6 ₄ /RD, P6 ₅ /AS | Bus control signal output (WR, RD, AS) | | | Generic input/ output | |
| | | P6 ₆ /WAIT | Bus control signal input/output (WAIT) and 1-bit generic input/output | | | | |
| Port 7 | <ul style="list-style-type: none"> 8-bit Input port | P7 ₇ to P7 ₀ / AN ₇ to AN ₀ | Analog input (AN ₇ to AN ₀) to A/D converter, and generic input | | | | |
| Port 8 | <ul style="list-style-type: none"> 2-bit I/O port P8₁ and P8₀ have Schmitt inputs | P8 ₁ /IRQ ₁ | IRQ ₁ input and 1-bit generic input/output | | | IRQ ₁ and IRQ ₀ input and generic input/output | |
| | | P8 ₀ /IRQ ₀ | IRQ ₀ input and 1-bit generic input/output | | | | |

| Port | Description | Pins | Mode 1 | Mode 3 | Mode 5 | Mode 6 | Mode 7 |
|--------|--------------------------------------|--|--|--|--|--------|--------|
| Port 9 | • 6-bit I/O port | P9 ₅ /SCK ₁ /IRQ ₅ , P9 ₄ /SCK ₀ /IRQ ₄ , P9 ₃ /RxD ₁ , P9 ₂ /RxD ₀ , P9 ₁ /TxD ₁ , P9 ₀ /TxD ₀ | Input and output (SCK ₁ , SCK ₀ , RxD ₁ , RxD ₀ , TxD ₁ , TxD ₀) for serial communication interfaces 1 and 0 (SCI0, 1), IRQ ₅ and IRQ ₄ input, and 6-bit generic input/output | | | | |
| Port A | • 8-bit I/O port • Schmitt inputs | PA ₇ /TP ₇ / TIOCB ₂ /A ₂₀ | Output (TP ₇) from programmable timing pattern controller (TPC), input or output (TIOCB ₂) for 16-bit integrated timer unit (ITU), and generic input/output | Address output (A ₂₀) | TPC output (TP ₇), ITU input or output (TIOCB ₂), and generic input/output | | |
| | | PA ₆ /TP ₆ / TIOCA ₂₁ , PA ₅ /TP ₅ / TIOCB ₁ /A ₂₂ , PA ₄ /TP ₄ / TIOCA ₁ /A ₂₃ | TPC output (TP ₆ to TP ₄), ITU input and output (TIOCA ₂ , TIOCB ₁ , TIOCA ₁), and generic input/output | TPC output (TP ₆ to TP ₄), ITU input and output (TIOCA ₂ , TIOCB ₁ , TIOCA ₁), address output (A ₂₃ to A ₂₁), and generic input/output | TPC output (TP ₆ to TP ₄), ITU input and output (TIOCA ₂ , TIOCB ₁ , TIOCA ₁), and generic input/output | | |
| | | PA ₃ /TP ₃ / TIOCB ₀ / TCLKD, PA ₂ /TP ₂ / TIOCA ₀ / TCLKC, PA ₁ /TP ₁ / TCLKB, PA ₀ /TP ₀ / TCLKA | TPC output (TP ₃ to TP ₀), ITU input and output (TCLKD, TCLKC, TCLKB, TCLKA, TIOCB ₀ , TIOCA ₀), and generic input/output | | | | |

| Port | Description | Pins | Mode 1 | Mode 3 | Mode 5 | Mode 6 | Mode 7 |
|--------|--|--|--|--------|--------|--------|--------|
| Port B | <ul style="list-style-type: none"> • 7-bit I/O port • Can drive LEDs • PB₃ to PB₀ have Schmitt inputs | PB ₇ /TP ₁₅ / ADTRG | TPC output (TP ₁₅), trigger input (ADTRG) to A/D converter, and generic input/output. | | | | |
| | | PB ₅ /TP ₁₃ / TOCXB ₄ , PB ₄ /TP ₁₂ / TOCXA ₄ , PB ₃ /TP ₁₁ / TIOCB ₄ , PB ₂ /TP ₁₀ / TIOCA ₄ , PB ₁ /TP ₉ / TIOCB ₃ , PB ₀ /TP ₈ / TIOCA ₃ | TPC output (TP ₁₃ to TP ₈), ITU input and output (TOCXB ₄ , TOCXA ₄ , TIOCB ₄ , TIOCA ₄ , TIOCB ₃ , TIOCA ₃), and generic input/output | | | | |

7.2 Port 1

7.2.1 Overview

Port 1 is an 8-bit input/output port with the pin configuration shown in figure 7.1. The pin functions differ between the expanded modes with on-chip ROM disabled, expanded modes with on-chip ROM enabled, and single-chip mode. In modes 1, 3 (expanded modes with on-chip ROM disabled), they are address bus output pins (A_7 to A_0).

In mode 5 (expanded modes with on-chip ROM enabled), settings in the port 1 data direction register (P1DDR) can designate pins for address bus output (A_7 to A_0) or generic input. In modes 6 and 7 (single-chip mode), port 1 is a generic input/output port.

Pins in port 1 can drive one TTL load and a 90-pF capacitive load. They can also drive a Darlington transistor pair.

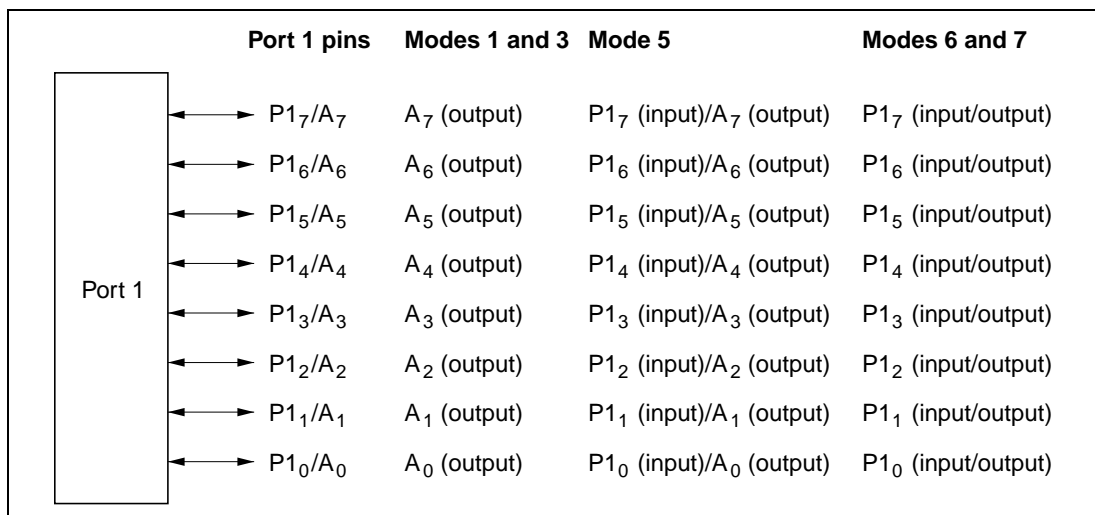


Figure 7.1 Port 1 Pin Configuration

7.2.2 Register Descriptions

Table 7.2 summarizes the registers of port 1.

Table 7.2 Port 1 Registers

| Address* | Name | Abbreviation | R/W | Initial Value | |
|----------|--------------------------------|--------------|-----|---------------|--------------|
| | | | | Modes 1, 3 | Modes 5 to 7 |
| H'FFC0 | Port 1 data direction register | P1DDR | W | H'FF | H'00 |
| H'FFC2 | Port 1 data register | P1DR | R/W | H'00 | H'00 |

Note: * Lower 16 bits of the address.

Port 1 Data Direction Register (P1DDR)

P1DDR is an 8-bit write-only register that can select input or output for each pin in port 1.

| Bit | | 7 | 6 | 5 | 4 | 3 | 2 | 1 | 0 |
|--------------|---------------|---------------------|---------------------|---------------------|---------------------|---------------------|---------------------|---------------------|---------------------|
| | | P1 ₇ DDR | P1 ₆ DDR | P1 ₅ DDR | P1 ₄ DDR | P1 ₃ DDR | P1 ₂ DDR | P1 ₁ DDR | P1 ₀ DDR |
| Modes 1, 3 | Initial value | 1 | 1 | 1 | 1 | 1 | 1 | 1 | 1 |
| | Read/Write | — | — | — | — | — | — | — | — |
| Modes 5 to 7 | Initial value | 0 | 0 | 0 | 0 | 0 | 0 | 0 | 0 |
| | Read/Write | W | W | W | W | W | W | W | W |

Port 1 data direction 7 to 0

These bits select input or output for port 1 pins

P1DDR is initialized to H'00 by a reset and in hardware standby mode. In software standby mode it retains its previous setting. If a P1DDR bit is set to 1, the corresponding pin maintains its output state in software standby mode.

Port 1 Data Register (P1DR)

P1DR is an 8-bit readable/writable register that stores data for pins P1₇ to P1₀.

| Bit | 7 | 6 | 5 | 4 | 3 | 2 | 1 | 0 |
|---------------|-----------------|-----------------|-----------------|-----------------|-----------------|-----------------|-----------------|-----------------|
| | P1 ₇ | P1 ₆ | P1 ₅ | P1 ₄ | P1 ₃ | P1 ₂ | P1 ₁ | P1 ₀ |
| Initial value | 0 | 0 | 0 | 0 | 0 | 0 | 0 | 0 |
| Read/Write | R/W | R/W | R/W | R/W | R/W | R/W | R/W | R/W |

Port 1 data 7 to 0

These bits store data for port 1 pins

When a bit in P1DDR is set to 1, if port 1 is read the value of the corresponding P1DR bit is returned directly, regardless of the actual state of the pin. When a bit in P1DDR is cleared to 0, if port 1 is read the corresponding pin level is read.

P1DR is initialized to H'00 by a reset and in hardware standby mode. In software standby mode it retains its previous setting.

7.2.3 Pin Functions in Each Mode

The pin functions of port 1 differ between mode 1, 3 (expanded mode with on-chip ROM disabled), mode 5 (expanded mode with on-chip ROM enabled), mode 6, and 7 (single-chip mode). The pin functions in each mode are described as follows.

Modes 1 and 3

Address output can be selected for each pin in port 1. Figure 7.2 shows the pin functions in modes 1 and 3.

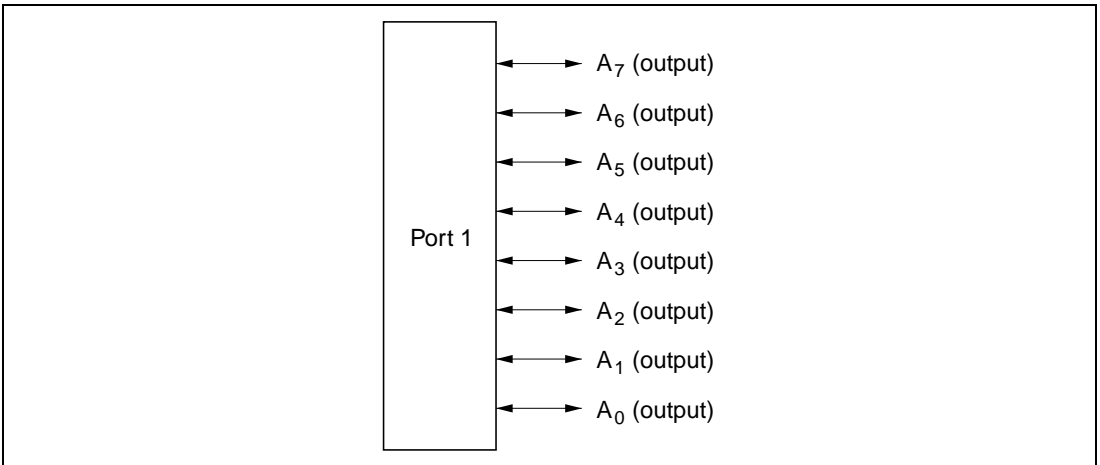


Figure 7.2 Pin Functions in Modes 1 and 3 (Port 1)

Mode 5

Address output or generic input can be selected for each pin in port 1. A pin becomes an address output pin if the corresponding P1DDR bit is set to 1, and a generic input pin if this bit is cleared to 0. Following a reset, all pins are input pins. To use a pin for address output, its P1DDR bit must be set to 1. Figure 7.3 shows the pin functions in mode 5.

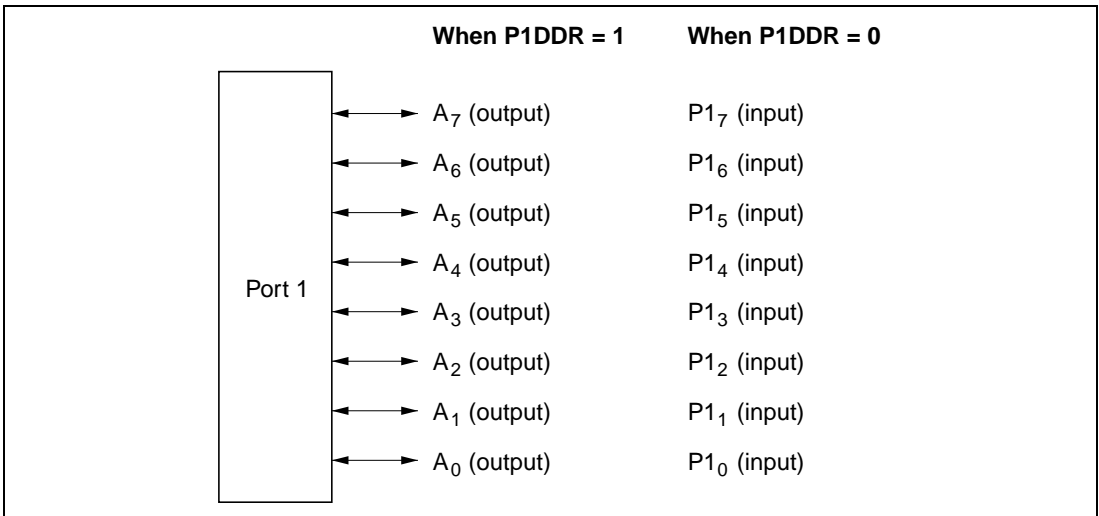


Figure 7.3 Pin Functions in Mode 5 (Port 1)

Modes 6 and 7 (Single-Chip Mode)

Input or output can be selected separately for each pin in port 1. A pin becomes an output pin if the corresponding P1DDR bit is set to 1, and an input pin if this bit is cleared to 0. Figure 7.4 shows the pin functions in modes 6 and 7.

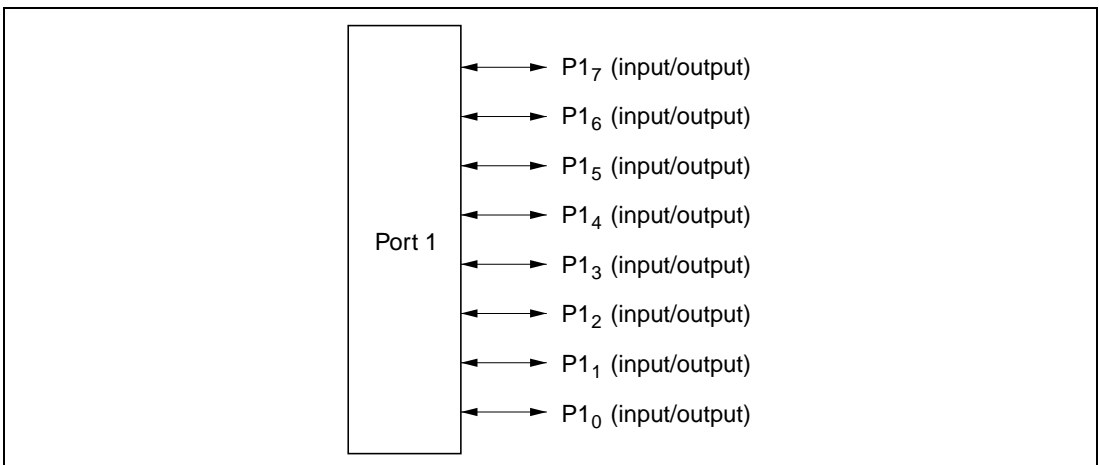


Figure 7.4 Pin Functions in Modes 6 and 7 (Port 1)

7.3 Port 2

7.3.1 Overview

Port 2 is an 8-bit input/output port with the pin configuration shown in figure 7.5. Pin functions differ according to operation mode.

In modes 1 and 3 (expanded mode with on-chip ROM disabled), port 2 consists of address bus output pins (A_{15} to A_8). In mode 5 (expanded mode with on-chip ROM enabled), settings in the port 2 data direction register (P2DDR) can designate pins for address bus output (A_{15} to A_8) or generic input. In modes 6 and 7 (single-chip mode), port 2 is a generic input/output port.

Port 2 has software-programmable built-in pull-up transistors. Pins in port 2 can drive one TTL load and a 90-pF capacitive load. They can also drive a Darlington transistor pair.

| Port 2 pins | Modes 1 and 3 | Modes 5 | Mode 6 and 7 |
|---------------|-------------------|-----------------------------------|-----------------------|
| $P2_7/A_{15}$ | A_{15} (output) | $P2_7$ (input)/ A_{15} (output) | $P2_7$ (input/output) |
| $P2_6/A_{14}$ | A_{14} (output) | $P2_6$ (input)/ A_{14} (output) | $P2_6$ (input/output) |
| $P2_5/A_{13}$ | A_{13} (output) | $P2_5$ (input)/ A_{13} (output) | $P2_5$ (input/output) |
| $P2_4/A_{12}$ | A_{12} (output) | $P2_4$ (input)/ A_{12} (output) | $P2_4$ (input/output) |
| $P2_3/A_{11}$ | A_{11} (output) | $P2_3$ (input)/ A_{11} (output) | $P2_3$ (input/output) |
| $P2_2/A_{10}$ | A_{10} (output) | $P2_2$ (input)/ A_{10} (output) | $P2_2$ (input/output) |
| $P2_1/A_9$ | A_9 (output) | $P2_1$ (input)/ A_9 (output) | $P2_1$ (input/output) |
| $P2_0/A_8$ | A_8 (output) | $P2_0$ (input)/ A_8 (output) | $P2_0$ (input/output) |

Figure 7.5 Port 2 Pin Configuration

7.3.2 Register Descriptions

Table 7.3 summarizes the registers of port 2.

Table 7.3 Port 2 Registers

| Address* | Name | Abbreviation | R/W | Initial Value | |
|----------|---------------------------------------|--------------|-----|---------------|--------------|
| | | | | Modes 1 and 3 | Modes 5 to 7 |
| H'FFC1 | Port 2 data direction register | P2DDR | W | H'FF | H'00 |
| H'FFC3 | Port 2 data register | P2DR | R/W | H'00 | H'00 |
| H'FFD8 | Port 2 input pull-up control register | P2PCR | R/W | H'00 | H'00 |

Note: * Lower 16 bits of the address.

Port 2 Data Direction Register (P2DDR)

P2DDR is an 8-bit write-only register that can select input or output for each pin in port 2.

| Bit | | 7 | 6 | 5 | 4 | 3 | 2 | 1 | 0 |
|---------------|---------------|---------------------|---------------------|---------------------|---------------------|---------------------|---------------------|---------------------|---------------------|
| | | P2 ₇ DDR | P2 ₆ DDR | P2 ₅ DDR | P2 ₄ DDR | P2 ₃ DDR | P2 ₂ DDR | P2 ₁ DDR | P2 ₀ DDR |
| Modes 1 and 3 | Initial value | 1 | 1 | 1 | 1 | 1 | 1 | 1 | 1 |
| | Read/Write | — | — | — | — | — | — | — | — |
| Modes 5 to 7 | Initial value | 0 | 0 | 0 | 0 | 0 | 0 | 0 | 0 |
| | Read/Write | W | W | W | W | W | W | W | W |

Port 2 data direction 7 to 0

These bits select input or output for port 2 pins

P2DDR is initialized to H'00 by a reset and in hardware standby mode. In software standby mode it retains its previous setting. If a P2DDR bit is set to 1, the corresponding pin maintains its output state in software standby mode.

Port 2 Data Register (P2DR)

P2DR is an 8-bit readable/writable register that stores data for pins P2₇ to P2₀.

| | | | | | | | | |
|---------------|-----------------|-----------------|-----------------|-----------------|-----------------|-----------------|-----------------|-----------------|
| Bit | 7 | 6 | 5 | 4 | 3 | 2 | 1 | 0 |
| | P2 ₇ | P2 ₆ | P2 ₅ | P2 ₄ | P2 ₃ | P2 ₂ | P2 ₁ | P2 ₀ |
| Initial value | 0 | 0 | 0 | 0 | 0 | 0 | 0 | 0 |
| Read/Write | R/W | R/W | R/W | R/W | R/W | R/W | R/W | R/W |

Port 2 data 7 to 0

These bits store data for port 2 pins

When a bit in P2DDR is set to 1, if port 2 is read the value of the corresponding P2DR bit is returned directly, regardless of the actual state of the pin. When a bit in P2DDR is cleared to 0, if port 2 is read the corresponding pin level is read.

P2DR is initialized to H'00 by a reset and in hardware standby mode. In software standby mode it retains its previous setting.

Port 2 Input Pull-Up Control Register (P2PCR)

P2PCR is an 8-bit readable/writable register that controls the MOS input pull-up transistors in port 2.

| | | | | | | | | |
|---------------|---------------------|---------------------|---------------------|---------------------|---------------------|---------------------|---------------------|---------------------|
| Bit | 7 | 6 | 5 | 4 | 3 | 2 | 1 | 0 |
| | P2 ₇ PCR | P2 ₆ PCR | P2 ₅ PCR | P2 ₄ PCR | P2 ₃ PCR | P2 ₂ PCR | P2 ₁ PCR | P2 ₀ PCR |
| Initial value | 0 | 0 | 0 | 0 | 0 | 0 | 0 | 0 |
| Read/Write | R/W | R/W | R/W | R/W | R/W | R/W | R/W | R/W |

Port 2 input pull-up control 7 to 0

These bits control input pull-up transistors built into port 2

When a P2DDR bit is cleared to 0 (selecting generic input) in modes 7 to 5, if the corresponding bit from P2₇PCR to P2₀PCR is set to 1, the input pull-up transistor is turned on.

P2PCR is initialized to H'00 by a reset and in hardware standby mode. In software standby mode it retains its previous setting.

7.3.3 Pin Functions in Each Mode

The pin functions of port 2 differ between mode 1, 3 (expanded mode with on-chip ROM disabled), mode 5 (expanded mode with on-chip ROM enabled), mode 6, and 7 (single-chip mode). The pin functions in each mode are described followings.

Modes 1 and 3

Address output can be selected for each pin in port 2. Figure 7.6 shows the pin functions in modes 1 and 3.

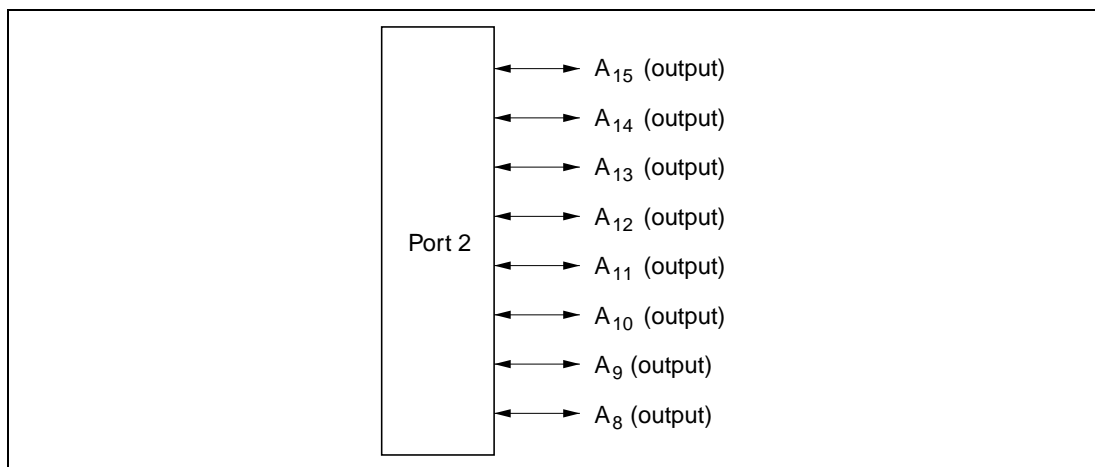


Figure 7.6 Pin Functions in Modes 1 and 3 (Port 2)

Mode 5

Address output or generic input can be selected for each pin in port 2. A pin becomes an address output pin if the corresponding P2DDR bit is set to 1, and a generic input pin if this bit is cleared to 0. Following a reset, all pins are input pins. To use a pin for address output, its P2DDR bit must be set to 1. Figure 7.7 shows the pin functions in modes 5.

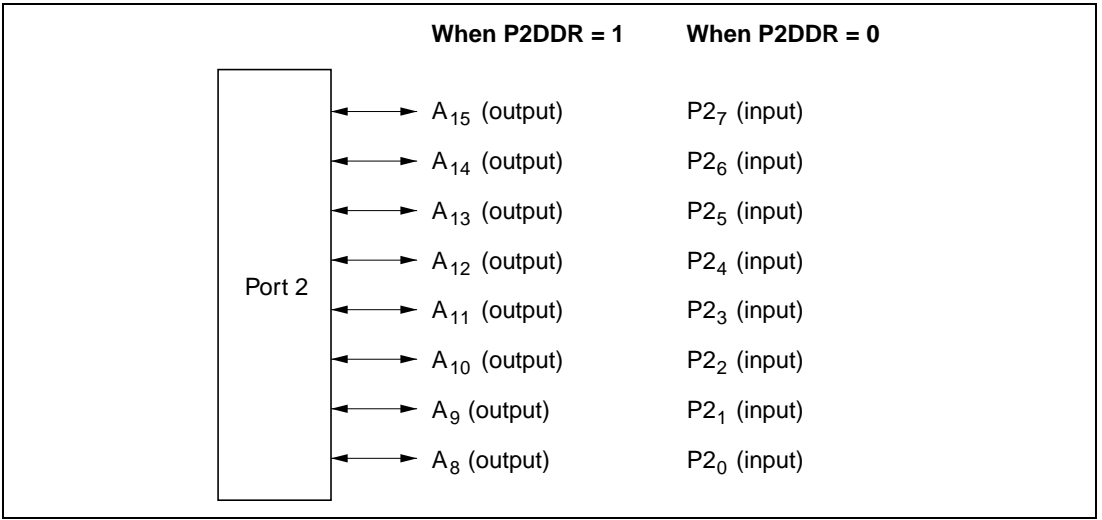


Figure 7.7 Pin Functions in Modes 1 and 3 (Port 2)

Modes 6 and 7

Input or output can be selected separately for each pin in port 2. A pin becomes an output pin if the corresponding P2DDR bit is set to 1, and an input pin if this bit is cleared to 0. Figure 7.8 shows the pin functions in modes 6 and 7.

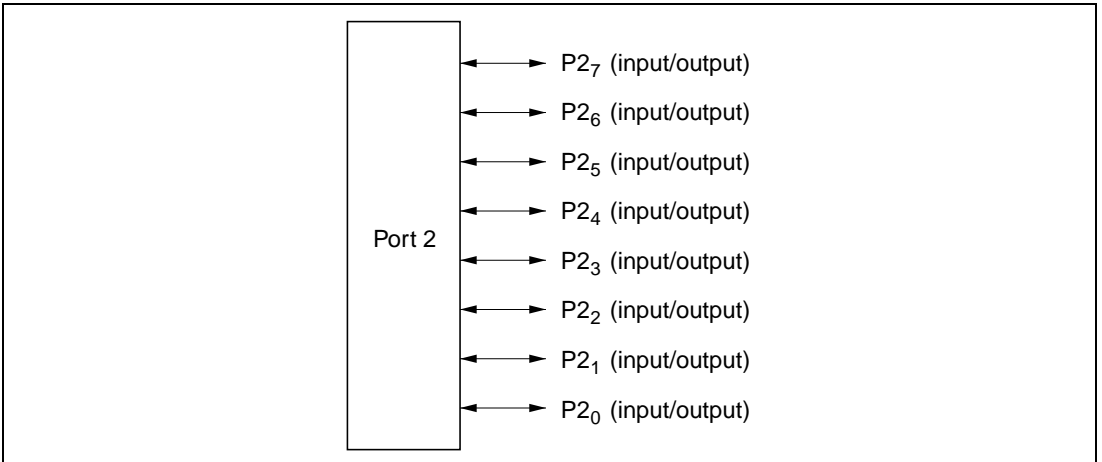


Figure 7.8 Pin Functions in Modes 6 and 7 (Port 2)

7.3.4 Input Pull-Up Transistors

Port 2 has built-in MOS input pull-up transistors that can be controlled by software. These input pull-up transistors can be turned on and off individually.

When a P2PCR bit is set to 1 and the corresponding P2DDR bit is cleared to 0, the input pull-up transistor is turned on.

The input pull-up transistors are turned off by a reset and in hardware standby mode. In software standby mode they retain their previous state.

Table 7.4 summarizes the states of the input pull-up transistors in each mode.

Table 7.4 Input Pull-Up Transistor States (Port 2)

| Mode | Reset | Hardware Standby Mode | Software Standby Mode | Other Modes |
|-------------|-------|-----------------------|-----------------------|-------------|
| 1 3 | Off | Off | Off | Off |
| 5 6 7 | Off | Off | On/Off | On/Off |

Legend:

Off: The input pull-up transistor is always off.

On/Off: The input pull-up transistor is on if P2PCR = 1 and P2DDR = 0. Otherwise, it is off.

7.4 Port 3

7.4.1 Overview

Port 3 is an 8-bit input/output port with the pin configuration shown in figure 7.9. Port 3 is a data bus in modes 1, 3 and 5 (expanded modes) and a generic input/output port in mode 6 and 7 (single-chip mode).

Pins in port 3 can drive one TTL load and a 90-pF capacitive load. They can also drive a Darlington transistor pair.

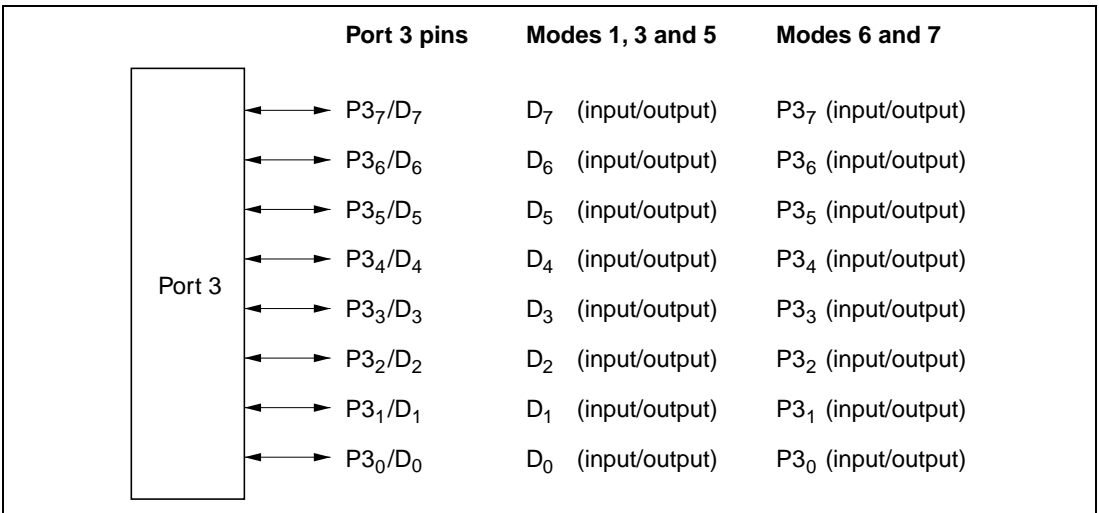


Figure 7.9 Port 3 Pin Configuration

7.4.2 Register Descriptions

Table 7.5 summarizes the registers of port 3.

Table 7.5 Port 3 Registers

| Address* | Name | Abbreviation | R/W | Initial Value |
|----------|--------------------------------|--------------|-----|---------------|
| H'FFC4 | Port 3 data direction register | P3DDR | W | H'00 |
| H'FFC6 | Port 3 data register | P3DR | R/W | H'00 |

Note: * Lower 16 bits of the address.

Port 3 Data Direction Register (P3DDR)

P3DDR is an 8-bit write-only register that can select input or output for each pin in port 3.

| Bit | 7 | 6 | 5 | 4 | 3 | 2 | 1 | 0 |
|---------------|---------------------|---------------------|---------------------|---------------------|---------------------|---------------------|---------------------|---------------------|
| | P3 ₇ DDR | P3 ₆ DDR | P3 ₅ DDR | P3 ₄ DDR | P3 ₃ DDR | P3 ₂ DDR | P3 ₁ DDR | P3 ₀ DDR |
| Initial value | 0 | 0 | 0 | 0 | 0 | 0 | 0 | 0 |
| Read/Write | W | W | W | W | W | W | W | W |

Port 3 data direction 7 to 0

These bits select input or output for port 3 pins

Modes 1, 3, and 5: Port 3 functions as a data bus. P3DDR is ignored.

Modes 6 and 7: Port 3 functions as an input/output port. A pin in port 3 becomes an output pin if the corresponding P3DDR bit is set to 1, and an input pin if this bit is cleared to 0.

P3DDR is a write-only register. Its value cannot be read. All bits return 1 when read.

P3DDR is initialized to H'00 by a reset and in hardware standby mode. In software standby mode it retains its previous setting. If a P3DDR bit is set to 1, the corresponding pin maintains its output state in software standby mode.

Port 3 Data Register (P3DR)

P3DR is an 8-bit readable/writable register that stores data for pins P3₇ to P3₀.

| Bit | 7 | 6 | 5 | 4 | 3 | 2 | 1 | 0 |
|---------------|-----------------|-----------------|-----------------|-----------------|-----------------|-----------------|-----------------|-----------------|
| | P3 ₇ | P3 ₆ | P3 ₅ | P3 ₄ | P3 ₃ | P3 ₂ | P3 ₁ | P3 ₀ |
| Initial value | 0 | 0 | 0 | 0 | 0 | 0 | 0 | 0 |
| Read/Write | R/W | R/W | R/W | R/W | R/W | R/W | R/W | R/W |

Port 3 data 7 to 0

These bits store data for port 3 pins

When a bit in P3DDR is set to 1, if port 3 is read the value of the corresponding P3DR bit is returned directly, regardless of the actual state of the pin. When a bit in P3DDR is cleared to 0, if port 3 is read the corresponding pin level is read.

P3DR is initialized to H'00 by a reset and in hardware standby mode. In software standby mode it retains its previous setting.

7.4.3 Pin Functions in Each Mode

The pin functions of port 3 differ between modes 1, 3 and 5 and modes 6 and 7. The pin functions in each mode are described below.

Modes 1, 3 and 5

All pins of port 3 automatically become data input/output pins. Figure 7.10 shows the pin functions in modes 1, 3 and 5.

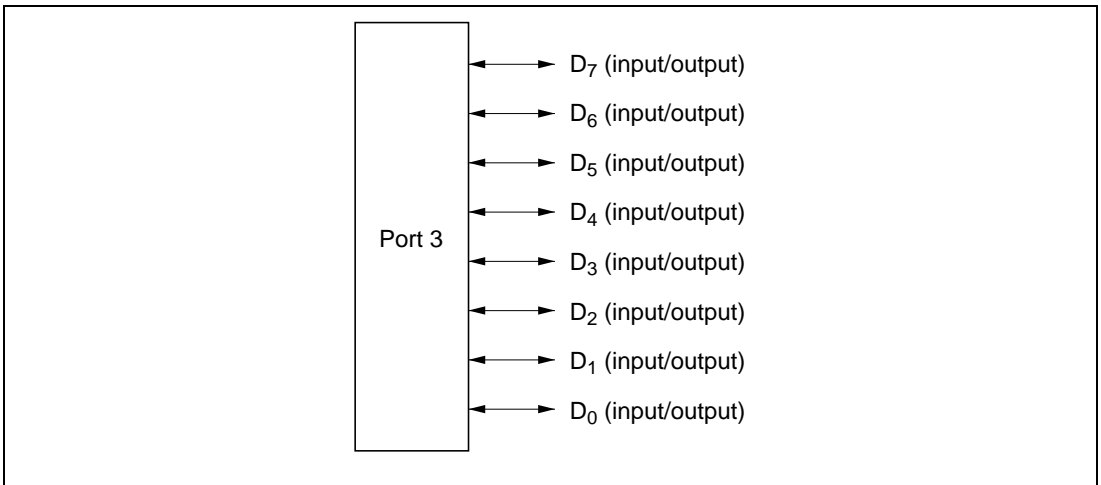


Figure 7.10 Pin Functions in Modes 1, 3 and 5 (Port 3)

Modes 6 and 7

Input or output can be selected separately for each pin in port 3. A pin becomes an output pin if the corresponding P3DDR bit is set to 1, and an input pin if this bit is cleared to 0. Figure 7.11 shows the pin functions in modes 6 and 7.

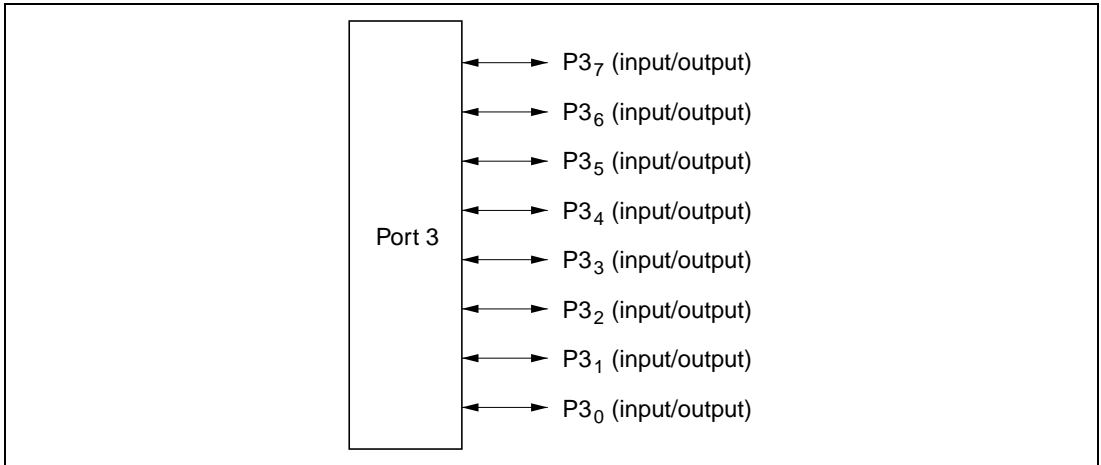


Figure 7.11 Pin Functions in Modes 6 and 7 (Port 3)

7.5 Port 5

7.5.1 Overview

Port 5 is a 4-bit input/output port with the pin configuration shown in figure 7.12. The pin functions differ depending on the operating mode.

In modes 1, 3 (expanded modes with on-chip ROM disabled), port 5 consists of address output pins (A₁₉ to A₁₆). In modes 5 (expanded modes with on-chip ROM enabled), settings in the port 5 data direction register (P5DDR) designate pins for address bus output (A₁₉ to A₁₆) or generic input. In mode 6 and 7 (single-chip mode), port 5 is a generic input/output port.

Port 5 has software-programmable built-in pull-up transistors. Port 5 can drive one TTL load and a 90-pF capacitive load. They can also drive an LED or a Darlington transistor pair.

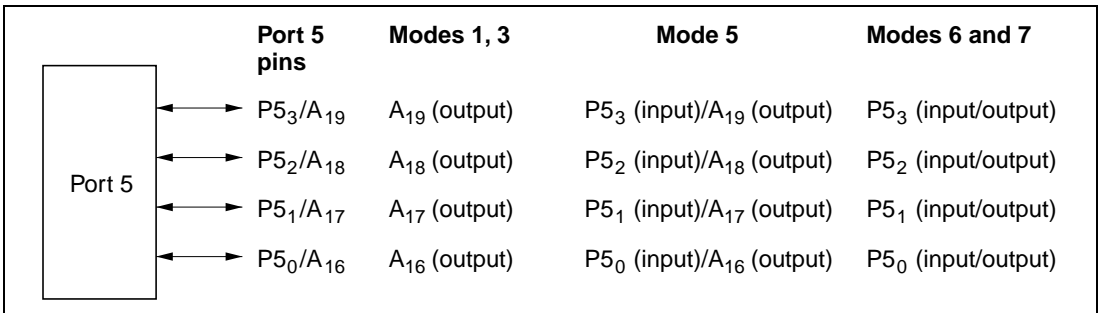


Figure 7.12 Port 5 Pin Configuration

7.5.2 Register Descriptions

Table 7.6 summarizes the registers of port 5.

Table 7.6 Port 5 Registers

| Address* | Name | Abbreviation | R/W | Initial Value | |
|----------|---------------------------------------|--------------|-----|---------------|--------------|
| | | | | Modes 1 and 3 | Modes 5 to 7 |
| H'FFC8 | Port 5 data direction register | P5DDR | W | H'FF | H'F0 |
| H'FFCA | Port 5 data register | P5DR | R/W | H'F0 | H'F0 |
| H'FFDB | Port 5 input pull-up control register | P5PCR | R/W | H'F0 | H'F0 |

Note: * Lower 16 bits of the address.

Port 5 Data Direction Register (P5DDR)

P5DDR is an 8-bit write-only register that can select input or output for each pin in port 5.

| Bit | 7 | 6 | 5 | 4 | 3 | 2 | 1 | 0 |
|---------------|---------------|---|---|---|---------------------|---------------------|---------------------|---------------------|
| | — | — | — | — | P5 ₃ DDR | P5 ₂ DDR | P5 ₁ DDR | P5 ₀ DDR |
| Modes 1 and 3 | Initial value | 1 | 1 | 1 | 1 | 1 | 1 | 1 |
| | Read/Write | — | — | — | — | — | — | — |
| Modes 5 to 7 | Initial value | 1 | 1 | 1 | 0 | 0 | 0 | 0 |
| | Read/Write | — | — | — | W | W | W | W |

Reserved bits
Port 5 data direction 3 to 0
These bits select input or output for port 5 pins

P5DDR is initialized to H'F0 by a reset and in hardware standby mode. In software standby mode it retains its previous setting. If a P5DDR bit is set to 1, the corresponding pin maintains its output state in software standby mode.

Port 5 Data Register (P5DR)

P5DR is an 8-bit readable/writable register that stores data for pins P5₃ to P5₀.

| Bit | 7 | 6 | 5 | 4 | 3 | 2 | 1 | 0 |
|---------------|---|---|---|---|-----------------|-----------------|-----------------|-----------------|
| | — | — | — | — | P5 ₃ | P5 ₂ | P5 ₁ | P5 ₀ |
| Initial value | 1 | 1 | 1 | 1 | 0 | 0 | 0 | 0 |
| Read/Write | — | — | — | — | R/W | R/W | R/W | R/W |

Reserved bits
Port 5 data 3 to 0
These bits store data for port 5 pins

When a bit in P5DDR is set to 1, if port 5 is read the value of the corresponding P5DR bit is returned directly, regardless of the actual state of the pin. When a bit in P5DDR is cleared to 0, if port 5 is read the corresponding pin level is read.

Bits P5₇ to P5₄ are reserved. They cannot be modified and are always read as 1.

P5DR is initialized to H'F0 by a reset and in hardware standby mode. In software standby mode it retains its previous setting.

Port 5 Input Pull-Up Control Register (P5PCR)

P5PCR is an 8-bit readable/writable register that controls the MOS input pull-up transistors in port 5.

| Bit | 7 | 6 | 5 | 4 | 3 | 2 | 1 | 0 |
|---------------|---|---|---|---|---------------------|---------------------|---------------------|---------------------|
| | — | — | — | — | P5 ₃ PCR | P5 ₂ PCR | P5 ₁ PCR | P5 ₀ PCR |
| Initial value | 1 | 1 | 1 | 1 | 0 | 0 | 0 | 0 |
| Read/Write | — | — | — | — | R/W | R/W | R/W | R/W |

Reserved bits
Port 5 input pull-up control 3 to 0
These bits control input pull-up transistors built into port 5

When a P5DDR bit is cleared to 0 (selecting generic input) in modes 5 to 7, if the corresponding bit from P5₃PCR to P5₀PCR is set to 1, the input pull-up transistor is turned on.

P5PCR is initialized to H'F0 by a reset and in hardware standby mode. In software standby mode it retains its previous setting.

7.5.3 Pin Functions in Each Mode

The pin functions differ between mode 1, 3 (expanded modes with on-chip ROM disabled), mode 5 (expanded modes with on-chip ROM enabled), mode 6, and 7 (single-chip mode). The pin functions in each mode are described below.

Modes 1 and 3

Address output can be selected for each pin in port 5. Figure 7.13 shows the pin functions in modes 1 and 3.

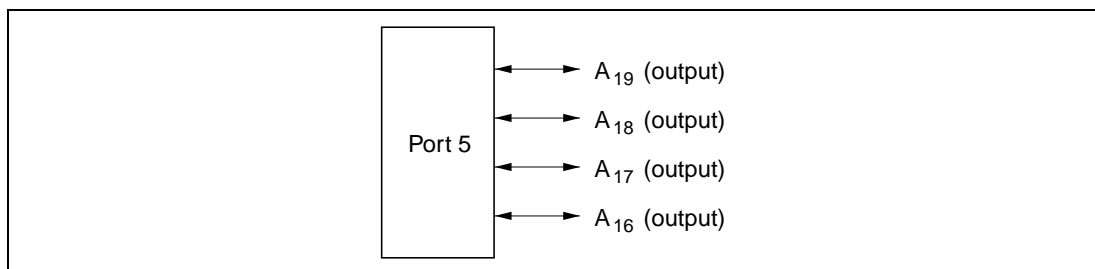


Figure 7.13 Pin Functions in Modes 1 and 3 (Port 5)

Mode 5

Address output or generic input can be selected for each pin in port 5. A pin becomes an address output pin if the corresponding P5DDR bit is set to 1, and a generic input pin if this bit is cleared to 0. Following a reset, all pins are input pins. To use a pin for address output, its P5DDR must be set to 1. Figure 7.14 shows the pin functions in mode 5.

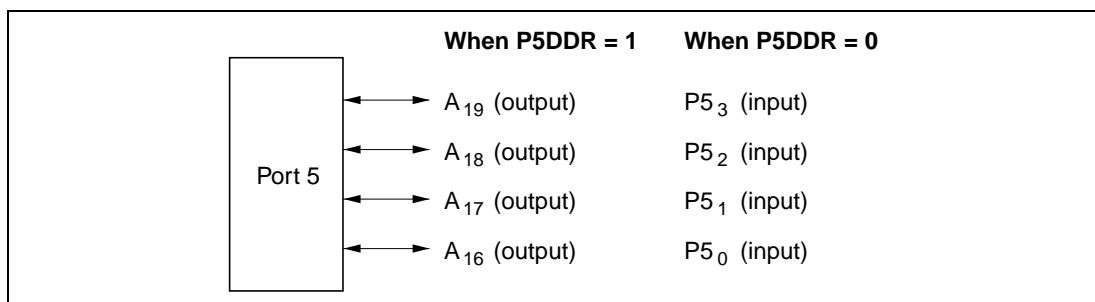


Figure 7.14 Pin Functions in Mode 5 (Port 5)

Modes 6 and 7

Input or output can be selected separately for each pin in port 5. A pin becomes an output pin if the corresponding P5DDR bit is set to 1, and an input pin if this bit is cleared to 0. Figure 7.15 shows the pin functions in modes 6 and 7.

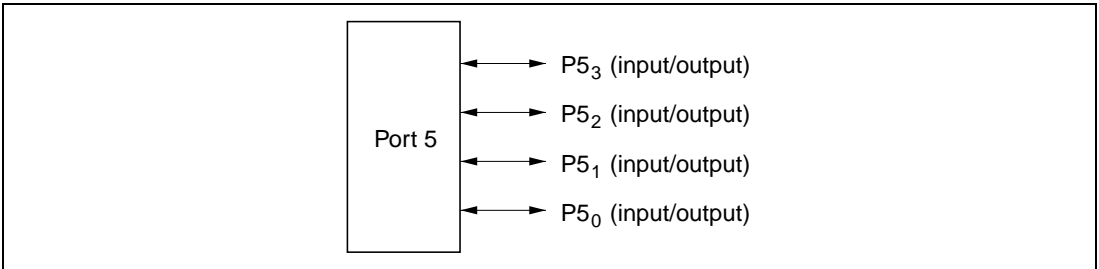


Figure 7.15 Pin Functions in Mode 6 and 7 (Port 5)

7.5.4 Input Pull-Up Transistors

Port 5 has built-in MOS input pull-up transistors that can be controlled by software. These input pull-up transistors can be turned on and off individually.

When a P5PCR bit is set to 1 and the corresponding P5DDR bit is cleared to 0, the input pull-up transistor is turned on.

The input pull-up transistors are turned off by a reset and in hardware standby mode. In software standby mode they retain their previous state.

Table 7.7 summarizes the states of the input pull-up transistors in each mode.

Table 7.7 Input Pull-Up Transistor States (Port 5)

| Mode | Reset | Hardware Standby Mode | Software Standby Mode | Other Modes |
|-------------|-------|-----------------------|-----------------------|-------------|
| 1 3 | Off | Off | Off | Off |
| 5 6 7 | Off | Off | On/Off | On/Off |

Legend:

Off: The input pull-up transistor is always off.

On/Off: The input pull-up transistor is on if P5PCR = 1 and P5DDR = 0. Otherwise, it is off.

7.6 Port 6

7.6.1 Overview

Port 6 is a 4-bit input/output port that is also used for input and output of bus control signals (\overline{WR} , \overline{RD} , \overline{AS} , and \overline{WAIT}).

Figure 7.16 shows the pin configuration of port 6. In modes 1, 3 and 5, the pin functions are \overline{WR} , \overline{RD} , \overline{AS} , and $P6_0/\overline{WAIT}$. In modes 6 and 7, port 6 is a generic input/output port.

Pins in port 6 can drive one TTL load and a 90-pF capacitive load. They can also drive a Darlington transistor pair.

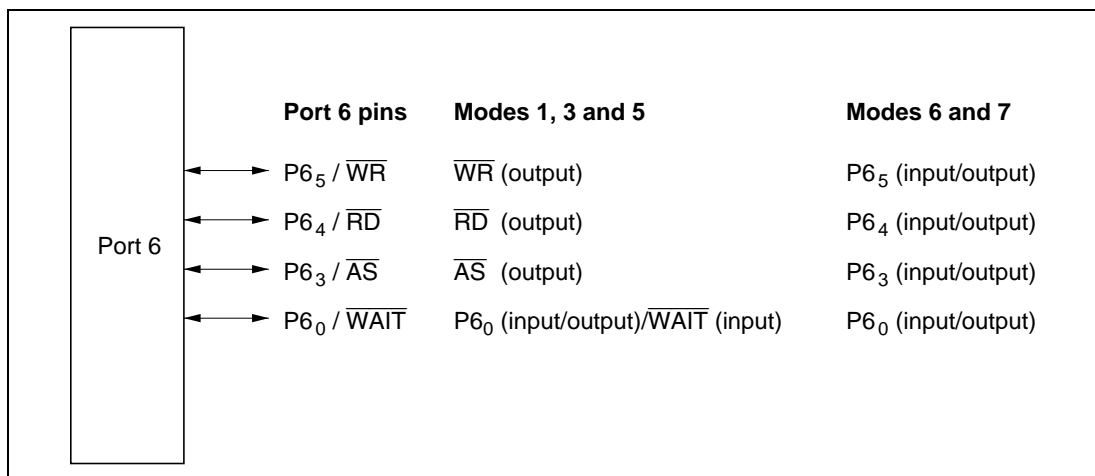


Figure 7.16 Port 6 Pin Configuration

7.6.2 Register Descriptions

Table 7.8 summarizes the registers of port 6.

Table 7.8 Port 6 Registers

| Address* | Name | Abbreviation | R/W | Initial Value | |
|----------|--------------------------------|--------------|-----|-------------------|---------------|
| | | | | Modes 1, 3, and 5 | Modes 6 and 7 |
| H'FFC9 | Port 6 data direction register | P6DDR | W | H'F8 | H'80 |
| H'FFCB | Port 6 data register | P6DR | R/W | H'80 | H'80 |

Note: * Lower 16 bits of the address.

Port 6 Data Direction Register (P6DDR)

P6DDR is an 8-bit write-only register that can select input or output for each pin in port 6.

| Bit | 7 | 6 | 5 | 4 | 3 | 2 | 1 | 0 |
|---------------|---|---|---------------------|---------------------|---------------------|---|---|---------------------|
| | — | — | P6 ₅ DDR | P6 ₄ DDR | P6 ₃ DDR | — | — | P6 ₀ DDR |
| Initial value | 1 | 0 | 0 | 0 | 0 | 0 | 0 | 0 |
| Read/Write | — | W | W | W | W | W | W | W |

Reserved bits **Port 6 data direction 5 to 3, 0**
 These bits select input or output for port 6 pins

Bits 7, 6, 2, and 1 are reserved.

P6DDR is a write-only register. Its value cannot be read. All bits return 1 when read.

P6DDR is initialized to H'80 by a reset and in hardware standby mode. In software standby mode it retains its previous setting. If a P6DDR bit is set to 1, the corresponding pin maintains its output state in software standby mode.

Port 6 Data Register (P6DR)

P6DR is an 8-bit readable/writable register that stores data for pins P6₅ to P6₃ and P6₀.

| Bit | 7 | 6 | 5 | 4 | 3 | 2 | 1 | 0 |
|---------------|---|-----|-----------------|-----------------|-----------------|-----|-----|-----------------|
| | — | — | P6 ₅ | P6 ₄ | P6 ₃ | — | — | P6 ₀ |
| Initial value | 1 | 0 | 0 | 0 | 0 | 0 | 0 | 0 |
| Read/Write | — | R/W | R/W | R/W | R/W | R/W | R/W | R/W |

Reserved bits

Port 6 data 5 to 3, 0
These bits store data for port 6 pins

When a bit in P6DDR is set to 1, if port 6 is read the value of the corresponding P6DR bit is returned directly. When a bit in P6DDR is cleared to 0, if port 6 is read the corresponding pin level is read. Bits 7, 6, 2, and 1 are reserved. Bit 7 cannot be modified and always reads 1. Bits 6, 2, and 1 can be written and read, but cannot be used as ports. If bit 6, 2, or 1 in P6DDR is read while its value is 1, the value of the corresponding bit in P6DR will be read. If bit 6, 2, or 1 in P6DDR is read while its value is 0, it will always read 1.

P6DR is initialized to H'80 by a reset and in hardware standby mode. In software standby mode it retains its previous setting.

7.6.3 Pin Functions in Each Mode

Modes 1, 3, and 5

P₆₅ to P₆₃ function as bus control output pins. P₆₀ is either a bus control input pin or generic input/output pin, functioning as an output pin when bit P₆₀DDR is set to 1 and an input pin when this bit is cleared to 0. Figure 7.17 and table 7.9 indicate the pin functions in modes 1, 3, and 5.

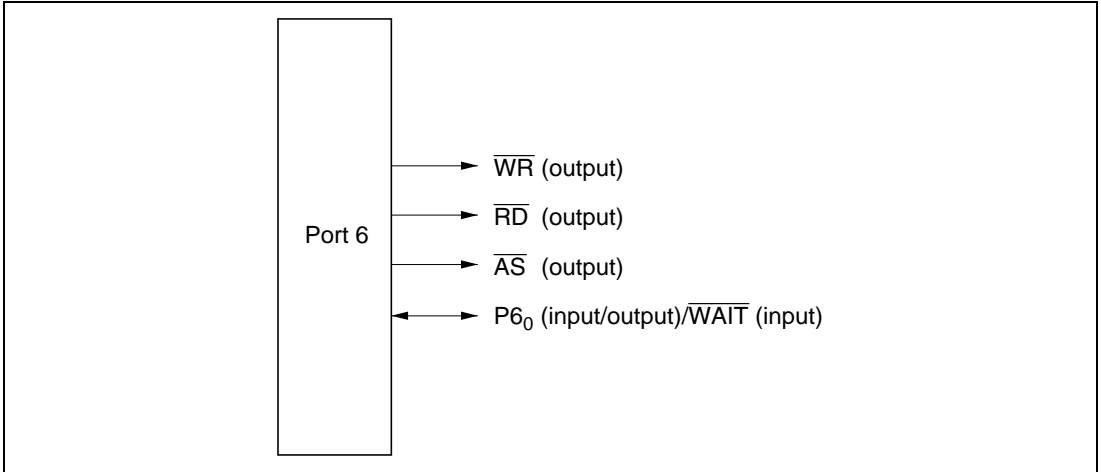


Figure 7.17 Pin Functions in Modes 1, 3, and 5 (Port 6)

Table 7.9 Port 6 Pin Functions in Modes 1, 3, and 5

| Pin | Pin Functions and Selection Method | | | |
|---|---|------------------------|---------------|-------------------------|
| $P6_5/\overline{WR}$ | Functions as follows regardless of $P6_5\text{DDR}$ | | | |
| | $P6_5\text{DDR}$ | 0 | 1 | |
| | Pin function | \overline{WR} output | | |
| $P6_4/\overline{RD}$ | Functions as follows regardless of $P6_4\text{DDR}$ | | | |
| | $P6_4\text{DDR}$ | 0 | 1 | |
| | Pin function | \overline{RD} output | | |
| $P6_3/\overline{AS}$ | Functions as follows regardless of $P6_3\text{DDR}$ | | | |
| | $P6_3\text{DDR}$ | 0 | 1 | |
| | Pin function | \overline{AS} output | | |
| $P6_0/\overline{WAIT}$ | Bits $WCE7$ to $WCE0$ in $WCER$, bit $WMS1$ in WCR , and bit $P6_0\text{DDR}$ select the pin function as follows | | | |
| | $WCER$ | All 1s | | Not all 1s |
| | $WMS1$ | 0 | 1 | — |
| | $P6_0\text{DDR}$ | 0 | 1 | 0* |
| | Pin function | $P6_0$ input | $P6_0$ output | \overline{WAIT} input |
| Note: * Do not set bit $P6_0\text{DDR}$ to 1. | | | | |

Modes 6 and 7

Input or output can be selected separately for each pin in port 6. A pin becomes an output pin if the corresponding P6DDR bit is set to 1, and an input pin if this bit is cleared to 0. Figure 7.18 shows the pin functions in modes 6 and 7.

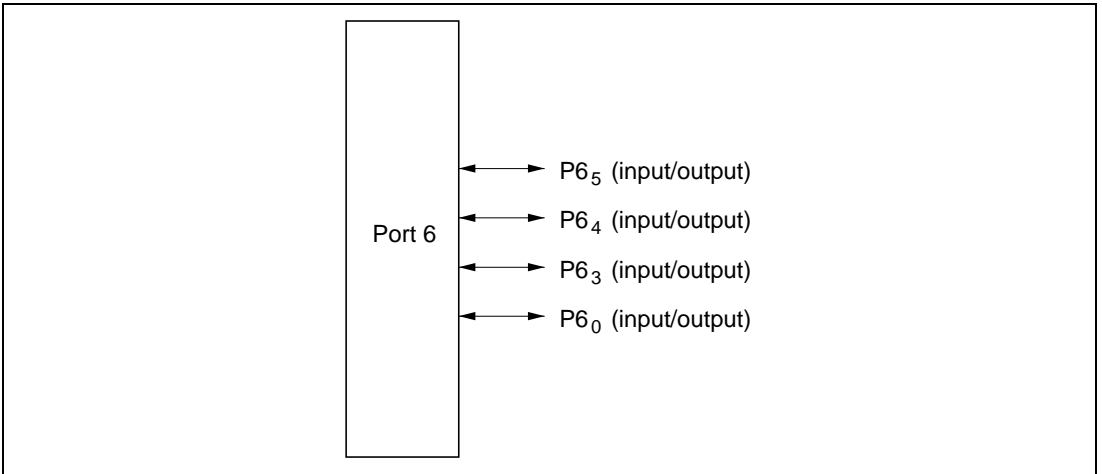


Figure 7.18 Pin Functions in Modes 6 and 7 (Port 6)

7.7 Port 7

7.7.1 Overview

Port 7 is an 8-bit input port that is also used for analog input to the A/D converter. The pin functions are the same in all operating modes. Figure 7.19 shows the pin configuration of port 7.

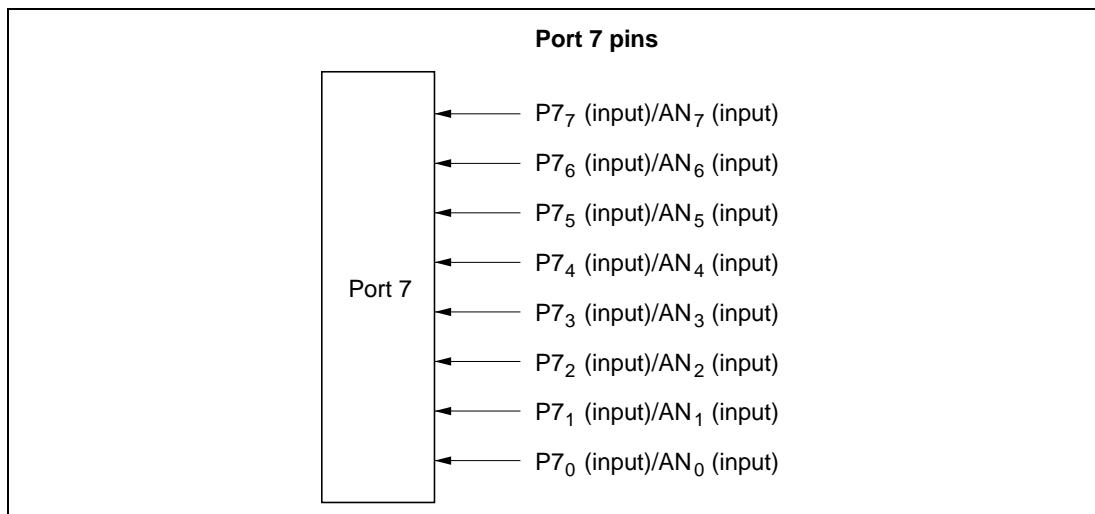


Figure 7.19 Port 7 Pin Configuration

7.7.2 Register Description

Table 7.10 summarizes the port 7 register. Port 7 is an input-only port, so it has no data direction register.

Table 7.10 Port 7 Data Register

| Address* | Name | Abbreviation | R/W | Initial Value |
|----------|----------------------|--------------|-----|---------------|
| H'FFCE | Port 7 data register | P7DR | R | Undetermined |

Note: * Lower 16 bits of the address.

Port 7 Data Register (P7DR)

| | | | | | | | | |
|---------------|-----------------|-----------------|-----------------|-----------------|-----------------|-----------------|-----------------|-----------------|
| Bit | 7 | 6 | 5 | 4 | 3 | 2 | 1 | 0 |
| | P7 ₇ | P7 ₆ | P7 ₅ | P7 ₄ | P7 ₃ | P7 ₂ | P7 ₁ | P7 ₀ |
| Initial value | —* | —* | —* | —* | —* | —* | —* | —* |
| Read/Write | R | R | R | R | R | R | R | R |

Note: * Determined by pins P₇ to P₀.

When P7DR is read, the pin levels are always read.

7.8 Port 8**7.8.1 Overview**

Port 8 is a 2-bit input/output port that is also used for $\overline{\text{IRQ}}_1$ and $\overline{\text{IRQ}}_0$ input. Figure 7.20 shows the pin configuration of port 8.

Pin P8₀ functions as input/output pin or as an $\overline{\text{IRQ}}_0$ input pin. Pins P8₁ function as either input pins or $\overline{\text{IRQ}}_1$ input pins in modes 1, 3, and 5, and as input/output pins or $\overline{\text{IRQ}}_1$ input pins in modes 6 and 7.

Pins in port 8 can drive one TTL load and a 90-pF capacitive load. They can also drive a Darlington transistor pair. Pins P8₁ and P8₀ have Schmitt-trigger inputs.

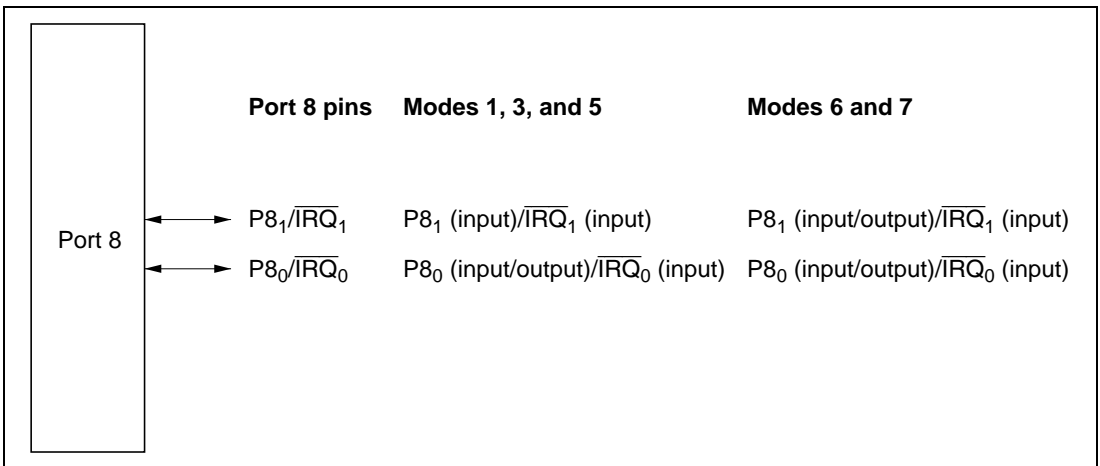


Figure 7.20 Port 8 Pin Configuration

7.8.2 Register Descriptions

Table 7.11 summarizes the registers of port 8.

Table 7.11 Port 8 Registers

| Address* | Name | Abbreviation | R/W | Initial Value |
|----------|--------------------------------|--------------|-----|---------------|
| H'FFCD | Port 8 data direction register | P8DDR | W | H'E0 |
| H'FFCF | Port 8 data register | P8DR | R/W | H'E0 |

Note: * Lower 16 bits of the address.

Port 8 Data Direction Register (P8DDR)

P8DDR is an 8-bit write-only register that can select input or output for each pin in port 8.

| | 7 | 6 | 5 | 4 | 3 | 2 | 1 | 0 |
|---------------|---|---|---|---|---|---|---------------------|---------------------|
| Bit | — | — | — | — | — | — | P8 ₁ DDR | P8 ₀ DDR |
| Initial value | 1 | 1 | 1 | 0 | 0 | 0 | 0 | 0 |
| Read/Write | — | — | — | W | W | W | W | W |

Reserved bits
Port 8 data direction 1 and 0
These bits select input or output for port 8 pins

P8DDR is initialized to H'E0 by a reset and in hardware standby mode. In software standby mode it retains its previous setting. If a P8DDR bit is set to 1, the corresponding pin maintains its output state in software standby mode.

Port 8 Data Register (P8DR)

P8DR is an 8-bit readable/writable register that stores data for pins P8₁ to P8₀.

| Bit | 7 | 6 | 5 | 4 | 3 | 2 | 1 | 0 |
|---------------|---|---|---|-----|-----|-----|-----------------|-----------------|
| | — | — | — | — | — | — | P8 ₁ | P8 ₀ |
| Initial value | 1 | 1 | 1 | 0 | 0 | 0 | 0 | 0 |
| Read/Write | — | — | — | R/W | R/W | R/W | R/W | R/W |

Reserved bits
Port 8 data 1 and 0
These bits store data
for port 8 pins

When a bit in P8DDR is set to 1, if port 8 is read the value of the corresponding P8DR bit is returned directly. When a bit in P8DDR is cleared to 0, if port 8 is read the corresponding pin level is read.

Bits 7 to 2 are reserved. Bits 7 to 5 cannot be modified and always read 1. Bit 4, 3, and 2 can be written and read, but it cannot be used for port input or output. If bit 4, 3, and 2 of P8DDR is read while its value is 1, bit 4, 3 and 2 of P8DR is read directly. If bit 4, 3, and 2 of P8DDR is read while its value is 0, it always reads 1.

P8DR is initialized to H'E0 by a reset and in hardware standby mode. In software standby mode it retains its previous setting.

7.8.3 Pin Functions

The port 8 pins are also used for $\overline{\text{IRQ}}_1$ and $\overline{\text{IRQ}}_0$. Table 7.12 describes the selection of pin functions.

Table 7.12 Port 8 Pin Functions

| Pin | Pin Functions and Selection Method | | |
|---------------------------------------|---|---------------------------------|---------------------|
| $\text{P8}_1/\overline{\text{IRQ}}_1$ | Bit $\text{P8}_1\text{DDR}$ selects the pin function as follows | | |
| | $\text{P8}_1\text{DDR}$ | 0 | 1 |
| | | | Modes 1, 3, and 5 |
| | Pin function | P8_1 input | Illegal setting |
| $\overline{\text{IRQ}}_1$ input | | | |
| $\text{P8}_0/\overline{\text{IRQ}}_0$ | Bit $\text{P8}_0\text{DDR}$ selects the pin function as follows | | |
| | $\text{P8}_0\text{DDR}$ | 0 | 1 |
| | | | P8_0 input |
| | Pin function | $\overline{\text{IRQ}}_0$ input | |

7.9 Port 9

7.9.1 Overview

Port 9 is a 6-bit input/output port that is also used for input and output (TxD₀, TxD₁, RxD₀, RxD₁, SCK₀, SCK₁) by serial communication interface channels 0 and 1 (SCI0 and SCI1), and for $\overline{\text{IRQ}}_5$ and $\overline{\text{IRQ}}_4$ input.

Port 9 has the same set of pin functions in all operating modes. Figure 7.21 shows the pin configuration of port 9.

Pins in port 9 can drive one TTL load and a 30-pF capacitive load. They can also drive a Darlington transistor pair.

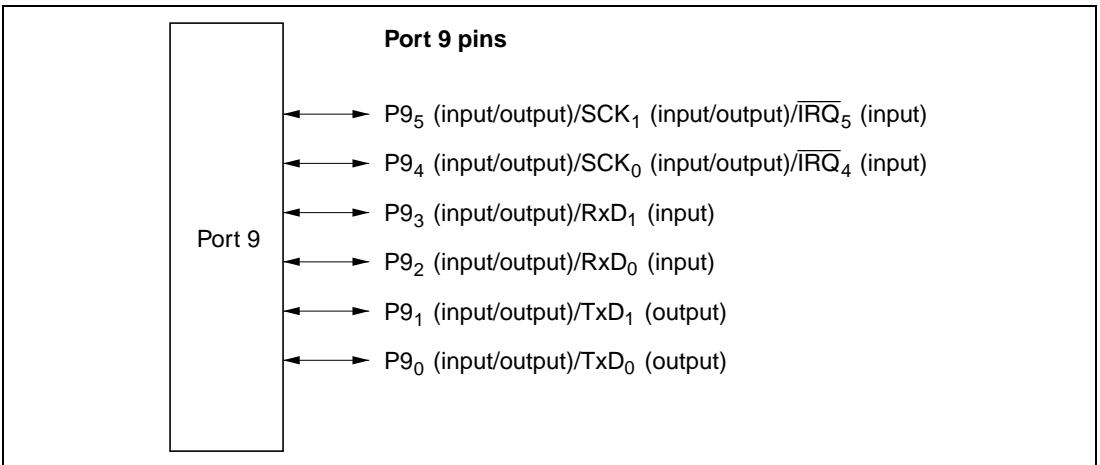


Figure 7.21 Port 9 Pin Configuration

7.9.2 Register Descriptions

Table 7.13 summarizes the registers of port 9.

Table 7.13 Port 9 Registers

| Address* | Name | Abbreviation | R/W | Initial Value |
|----------|--------------------------------|--------------|-----|---------------|
| H'FFD0 | Port 9 data direction register | P9DDR | W | H'C0 |
| H'FFD2 | Port 9 data register | P9DR | R/W | H'C0 |

Note: * Lower 16 bits of the address.

Port 9 Data Direction Register (P9DDR)

P9DDR is an 8-bit write-only register that can select input or output for each pin in port 9.

| Bit | 7 | 6 | 5 | 4 | 3 | 2 | 1 | 0 |
|---------------|---|---|---------------------|---------------------|---------------------|---------------------|---------------------|---------------------|
| | — | — | P9 ₅ DDR | P9 ₄ DDR | P9 ₃ DDR | P9 ₂ DDR | P9 ₁ DDR | P9 ₀ DDR |
| Initial value | 1 | 1 | 0 | 0 | 0 | 0 | 0 | 0 |
| Read/Write | — | — | W | W | W | W | W | W |

Reserved bits
Port 9 data direction 5 to 0
These bits select input or output for port 9 pins

A pin in port 9 becomes an output pin if the corresponding P9DDR bit is set to 1, and an input pin if this bit is cleared to 0.

P9DDR is a write-only register. Its value cannot be read. All bits return 1 when read.

P9DDR is initialized to H'C0 by a reset and in hardware standby mode. In software standby mode it retains its previous setting. If a P9DDR bit is set to 1, the corresponding pin maintains its output state in software standby mode.

Port 9 Data Register (P9DR)

P9DR is an 8-bit readable/writable register that stores output data for pins P9₅ to P9₀.

| Bit | 7 | 6 | 5 | 4 | 3 | 2 | 1 | 0 |
|---------------|---|---|-----------------|-----------------|-----------------|-----------------|-----------------|-----------------|
| | — | — | P9 ₅ | P9 ₄ | P9 ₃ | P9 ₂ | P9 ₁ | P9 ₀ |
| Initial value | 1 | 1 | 0 | 0 | 0 | 0 | 0 | 0 |
| Read/Write | — | — | R/W | R/W | R/W | R/W | R/W | R/W |

Reserved bits
Port 9 data 5 to 0
These bits store data for port 9 pins

When a bit in P9DDR is set to 1, if port 9 is read the value of the corresponding P9DR bit is returned. When a bit in P9DDR is cleared to 0, if port 9 is read the corresponding pin level is read.

Bits 7 and 6 are reserved. They cannot be modified and are always read as 1.

P9DDR is initialized to H'C0 by a reset and in hardware standby mode. In software standby mode it retains its previous setting.

7.9.3 Pin Functions

The port 9 pins are also used for SCI input and output (TxD, RxD, SCK), and for $\overline{\text{IRQ}}_5$ and $\overline{\text{IRQ}}_4$ input. Table 7.14 describes the selection of pin functions.

Table 7.14 Port 9 Pin Functions

| Pin | Pin Functions and Selection Method | | | | |
|--|--|------------------------|-------------------------|-------------------------|------------------------|
| $\text{P9}_5/\text{SCK}_1/\overline{\text{IRQ}}_5$ | Bit C/ $\overline{\text{A}}$ in SMR of SCI1, bits CKE0 and CKE1 in SCR of SCI1, and bit P9 ₅ DDR select the pin function as follows | | | | |
| CKE1 | 0 | | | 1 | |
| C/ $\overline{\text{A}}$ | 0 | | 1 | | — |
| CKE0 | 0 | | 1 | | — |
| P9 ₅ DDR | 0 | 1 | — | — | — |
| Pin function | P9 ₅ input | P9 ₅ output | SCK ₁ output | SCK ₁ output | SCK ₁ input |
| | $\overline{\text{IRQ}}_5$ input | | | | |

| | | | | | |
|--|---|------------------------|-------------------------|-------------------------|------------------------|
| $\text{P9}_4/\text{SCK}_0/\overline{\text{IRQ}}_4$ | Bit C/ $\overline{\text{A}}$ in SMR of SCI0, bits CKE0 and CKE1 in SCR of SCI, and bit P9 ₄ DDR select the pin function as follows | | | | |
| CKE1 | 0 | | | 1 | |
| C/ $\overline{\text{A}}$ | 0 | | 1 | | — |
| CKE0 | 0 | | 1 | | — |
| P9 ₄ DDR | 0 | 1 | — | — | — |
| Pin function | P9 ₄ input | P9 ₄ output | SCK ₀ output | SCK ₀ output | SCK ₀ input |
| | $\overline{\text{IRQ}}_4$ input | | | | |

Pin Pin Functions and Selection Method

$P9_3/RxD_1$ Bit RE in SCR of SCI1 and bit $P9_3DDR$ select the pin function as follows

| | | | |
|--------------|--------------|---------------|---------------|
| RE | 0 | | 1 |
| $P9_3DDR$ | 0 | 1 | — |
| Pin function | $P9_3$ input | $P9_3$ output | RxD_1 input |

$P9_2/RxD_0$ Bit RE in SCR of SCI₀, bit SMIF in SCMR, and bit $P9_2DDR$ select the pin function as follows

| | | | | |
|--------------|--------------|---------------|---------------|---------------|
| SMIF | 0 | | | 1 |
| RE | 0 | | 1 | — |
| $P9_2DDR$ | 0 | 1 | — | — |
| Pin function | $P9_2$ input | $P9_2$ output | RxD_0 input | RxD_0 input |

$P9_1/TxD_1$ Bit TE in SCR of SCI1 and bit $P9_1DDR$ select the pin function as follows

| | | | |
|--------------|--------------|---------------|----------------|
| TE | 0 | | 1 |
| $P9_1DDR$ | 0 | 1 | — |
| Pin function | $P9_1$ input | $P9_1$ output | TxD_1 output |

$P9_0/TxD_0$ Bit TE in SCR of SCI₀, bit SMIF in SCMR, and bit $P9_0DDR$ select the pin function as follows

| | | | | |
|--------------|--------------|---------------|----------------|-----------------|
| SMIF | 0 | | | 1 |
| TE | 0 | | 1 | — |
| $P9_0DDR$ | 0 | 1 | — | — |
| Pin function | $P9_0$ input | $P9_0$ output | TxD_0 output | TxD_0 output* |

Note: * Functions as the TxD_0 output pin, but there are two states: one in which the pin is driven, and another in which the pin is at high impedance.

7.10 Port A

7.10.1 Overview

Port A is an 8-bit input/output port that is also used for output (TP₇ to TP₀) from the programmable timing pattern controller (TPC), input and output (TIOCB₂, TIOCA₂, TIOCB₁, TIOCA₁, TIOCB₀, TIOCA₀, TCLKD, TCLKC, TCLKB, TCLKA) by the 16-bit integrated timer unit (ITU), and address output (A₂₃ to A₂₀). Figure 7.22 shows the pin configuration of port A.

Pins in port A can drive one TTL load and a 30-pF capacitive load. They can also drive a Darlington transistor pair. Port A has Schmitt-trigger inputs.

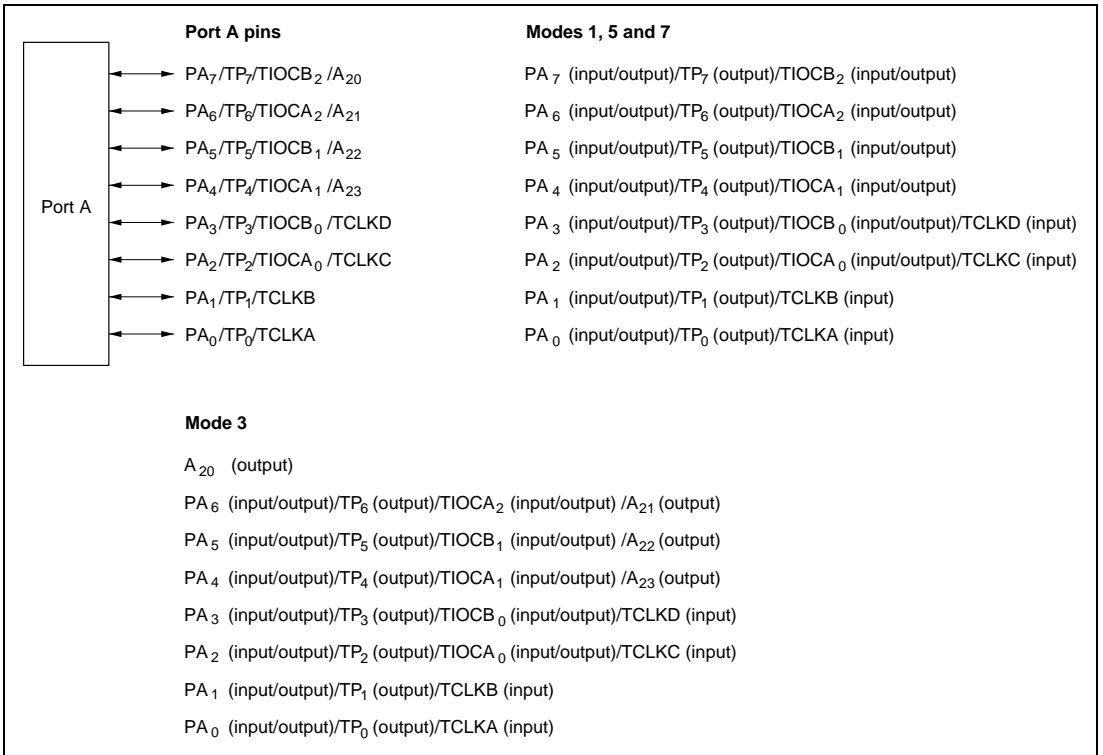


Figure 7.22 Port A Pin Configuration

7.10.2 Register Descriptions

Table 7.15 summarizes the registers of port A.

Table 7.15 Port A Registers

| Address* | Name | Abbreviation | R/W | Initial Value | |
|----------|--------------------------------|--------------|-----|-------------------|--------|
| | | | | Modes 1, 5, and 7 | Mode 3 |
| H'FFD1 | Port A data direction register | PADDR | W | H'00 | H'80 |
| H'FFD3 | Port A data register | PADR | R/W | H'00 | H'00 |

Note: * Lower 16 bits of the address.

Port A Data Direction Register (PADDR)

PADDR is an 8-bit write-only register that can select input or output for each pin in port A. The corresponding PADDR bit should also be set when a pin is used as a TPC output.

| | | 7 | 6 | 5 | 4 | 3 | 2 | 1 | 0 |
|----------------------|---------------|---------------------|---------------------|---------------------|---------------------|---------------------|---------------------|---------------------|---------------------|
| Bit | | PA ₇ DDR | PA ₆ DDR | PA ₅ DDR | PA ₄ DDR | PA ₃ DDR | PA ₂ DDR | PA ₁ DDR | PA ₀ DDR |
| Modes 1, 5, and 7 | Initial value | 0 | 0 | 0 | 0 | 0 | 0 | 0 | 0 |
| | Read/Write | W | W | W | W | W | W | W | W |
| Mode 3 | Initial value | 1 | 0 | 0 | 0 | 0 | 0 | 0 | 0 |
| | Read/Write | — | W | W | W | W | W | W | W |

Port A data direction 7 to 0

These bits select input or output for port A pins

A pin in port A becomes an output pin if the corresponding PADDR bit is set to 1, and an input pin if this bit is cleared to 0. However, in mode 3, PA₇DDR is fixed at 1, and PA₇ functions as an address output pin.

PADDR is a write-only register. Its value cannot be read. All bits return 1 when read.

PADDR is initialized to H'00 in modes 1, 5 and 7 and to H'80 in mode 3 by a reset and in hardware standby mode. In software standby mode it retains its previous setting. If a PADDR bit is set to 1, the corresponding pin maintains its output state in software standby mode.

Port A Data Register (PADR)

PADR is an 8-bit readable/writable register that stores data for pins PA₇ to PA₀.

| | | | | | | | | |
|---------------|-----------------|-----------------|-----------------|-----------------|-----------------|-----------------|-----------------|-----------------|
| Bit | 7 | 6 | 5 | 4 | 3 | 2 | 1 | 0 |
| | PA ₇ | PA ₆ | PA ₅ | PA ₄ | PA ₃ | PA ₂ | PA ₁ | PA ₀ |
| Initial value | 0 | 0 | 0 | 0 | 0 | 0 | 0 | 0 |
| Read/Write | R/W | R/W | R/W | R/W | R/W | R/W | R/W | R/W |

Port A data 7 to 0

These bits store data for port A pins

When a bit in PADDR is set to 1, if port A is read the value of the corresponding PADR bit is returned directly. When a bit in PADDR is cleared to 0, if port A is read the corresponding pin level is read.

PADR is initialized to H'00 by a reset and in hardware standby mode. In software standby mode it retains its previous setting.

When port A pins are used for TPC output, PADR stores output data for TPC output groups 0 and 1. If a bit in the next data enable register (NDERA) is set to 1, the corresponding PADR bit cannot be written. In this case, PADR can be updated only when data is transferred from NDRA.

7.10.3 Pin Functions

The port A pins are also used for TPC output (TP₇ to TP₀), ITU input/output (TIOCB₂ to TIOCB₀, TIOCA₂ to TIOCA₀) and input (TCLKD, TCLKC, TCLKB, TCLKA), and as address bus pins (A₂₃ to A₂₀). Table 7.16 describes the selection of pin functions.

Table 7.16 Port A Pin Functions

| Pin | Pin Functions and Selection Method | | | | | |
|---|--|---|-----------------------|------------------------|------------------------|------------------------|
| PA ₇ /TP ₇ / TIOCB ₂ / A ₂₀ | The mode setting, ITU channel 2 settings (bit PWM2 in TMDR and bits IOB2 to IOB0 in TIOR2), bit NDER7 in NDERA, and bit PA7DDR in PADDR select the pin function as follows | | | | | |
| Mode | 1, 5 to 7 | | | | 3 | |
| ITU channel 2 settings | (1) in table below | | (2) in table below | | — | |
| PA ₇ DDR | — | 0 | 1 | 1 | — | |
| NDER7 | — | — | 0 | 1 | — | |
| Pin function | TIOCB ₂ output | | PA ₇ input | PA ₇ output | TP ₇ output | A ₂₀ output |
| | | | TIOCB2 input* | | | |

Note: * TIOCB2 input when IOB2 = 1 and PWM2 = 0.

| | | | | | |
|------------------------|-----|-----|---|-----|--|
| ITU channel 2 settings | (2) | (1) | | (2) | |
| IOB2 | 0 | | | 1 | |
| IOB1 | 0 | 0 | 1 | — | |
| IOB0 | 0 | 1 | — | — | |

Pin Pin Functions and Selection Method

$PA_6/TP_6/$
 $TIOCA_2/$
 A_{21} The mode setting, bit $A_{21}E$ in BRCR, ITU channel 2 settings (bit PWM2 in TMDR and bits IOA2 to IOA0 in TIOR2), bit NDER6 in NDERA, and bit PA_6DDR in PADDR select the pin function as follows

| Mode | 1, 5 to 7 | | | | 3 | | | | |
|------------------------|--------------------|--------------------|---------------|---------------|--------------------|--------------------|---------------|---------------|-----------------|
| $A_{21}E$ | — | | | | 1 | | | | 0 |
| ITU channel 2 settings | (1) in table below | (2) in table below | | | (1) in table below | (2) in table below | | | — |
| PA_6DDR | — | 0 | 1 | 1 | — | 0 | 1 | 1 | — |
| NDER6 | — | — | 0 | 1 | — | — | 0 | 1 | — |
| Pin function | $TIOCA_2$ output | PA_6 input | PA_6 output | TP_6 output | $TIOCA_2$ output | PA_6 input | PA_6 output | TP_6 output | A_{21} output |
| | | $TIOCA_2$ input* | | | | $TIOCA_2$ input* | | | |

Note: * $TIOCA_2$ input when IOA2 = 1.

| | | | | | | |
|------------------------|-----|-----|---|-----|-----|--|
| ITU channel 2 settings | (2) | (1) | | (2) | (1) | |
| PWM2 | 0 | | | | 1 | |
| IOA2 | 0 | | | 1 | — | |
| IOA1 | 0 | 0 | 1 | — | — | |
| IOA0 | 0 | 1 | — | — | — | |

Pin Pin Functions and Selection Method

PA₅/TP₅/
TIOCB₁/
A₂₂

The mode setting, bit A₂₂E in BRCCR, ITU channel 1 settings (bit PWM1 in TMDR and bits IOB2 to IOB0 in TIOR1), bit NDER5 in NDERA, and bit PA₅DDR in PADDR select the pin function as follows

| Mode | 1, 5 to 7 | | | | 3 | | | | |
|------------------------|---------------------------|-----------------------|------------------------|------------------------|---------------------------|-----------------------|------------------------|------------------------|------------------------|
| A ₂₂ E | — | | | | 1 | | | 0 | |
| ITU channel 1 settings | (1) in table below | (2) in table below | | | (1) in table below | (2) in table below | | | — |
| PA ₅ DDR | — | 0 | 1 | 1 | — | 0 | 1 | 1 | — |
| NDER5 | — | — | 0 | 1 | — | — | 0 | 1 | — |
| Pin function | TIOCB ₁ output | PA ₅ input | PA ₅ output | TP ₅ output | TIOCB ₁ output | PA ₅ input | PA ₅ output | TP ₅ output | A ₂₂ output |
| | | TIOCB1 input* | | | | TIOCB1 input* | | | |

Note: * TIOCB₁ input when IOB2 = 1 and PWM1 = 0.

| | | | | |
|------------------------|-----|-----|---|-----|
| ITU channel 1 settings | (2) | (1) | | (2) |
| IOB2 | 0 | | | 1 |
| IOB1 | 0 | 0 | 1 | — |
| IOB0 | 0 | 1 | — | — |

Pin Pin Functions and Selection Method

PA₂/TP₄/
TIOCB₁/
A₂₃ The mode setting, bit A₂₃E in BR CR, ITU channel 1 settings (bit PWM1 in TMDR and bits IOA2 to IOA0 in TIOR1), bit NDER4 in NDERA, and bit PA₄DDR in PADDR select the pin function as follows

| Mode | 1, 5 to 7 | | | | 3 | | | | |
|------------------------|---------------------------|---------------------------|------------------------|------------------------|---------------------------|---------------------------|------------------------|------------------------|------------------------|
| A ₂₃ E | — | | | | 1 | | | | 0 |
| ITU channel 1 settings | (1) in table below | (2) in table below | | | (1) in table below | (2) in table below | | | — |
| PA ₄ DDR | — | 0 | 1 | 1 | — | 0 | 1 | 1 | — |
| NDER4 | — | — | 0 | 1 | — | — | 0 | 1 | — |
| Pin function | TIOCA ₁ output | PA ₄ input | PA ₄ output | TP ₅ output | TIOCA ₁ output | PA ₄ input | PA ₄ output | TP ₄ output | A ₂₃ output |
| | | TIOCA ₁ input* | | | | TIOCA ₁ input* | | | |

Note: * TIOCA₁ input when IOA2 = 1.

| ITU channel 1 settings | (2) | (1) | | (2) | (1) |
|------------------------|-----|-----|---|-----|-----|
| PWM1 | 0 | | | | 1 |
| IOA2 | 0 | | | 1 | — |
| IOA1 | 0 | 0 | 1 | — | — |
| IOA0 | 0 | 1 | — | — | — |

Pin Pin Functions and Selection Method

PA₃/TP₃/
TIOCB₀/
TCLKD ITU channel 0 settings (bit PWM0 in TMDR and bits IOB2 to IOB0 in TIOR0), bits TPSC2 to TPSC0 in TCR4 to TCR0, bit NDER3 in NDERA, and bit PA3DDR in PADDR select the pin function as follows

| ITU channel 0 settings | (1) in table below | (2) in table below | | |
|---------------------------|---------------------------|--|------------------------|------------------------|
| PA ₃ DDR | — | 0 | 1 | 1 |
| NDER3 | — | — | 0 | 1 |
| Pin function | TIOCB ₀ output | PA ₃ input | PA ₃ output | TP ₃ output |
| | | TIOCB ₀ input* ¹ | | |
| TCLKD input* ² | | | | |

- Notes: 1. TIOCB0 input when IOB2 = 1 and PWM0 = 0.
2. TCLKD input when TPSC2 = TPSC1 = TPSC0 = 1 in any of TCR4 to TCR0.

| ITU channel 0 settings | (2) | | (1) | | (2) |
|------------------------|-----|---|-----|---|-----|
| IOB2 | 0 | | | 1 | |
| IOB1 | 0 | 0 | 1 | — | |
| IOB0 | 0 | 1 | — | — | |

Pin Pin Functions and Selection Method

PA₂/TP₂/
TIOCA₀/
TCLKC

ITU channel 0 settings (bit PWM0 in TMDR and bits IOA2 to IOA0 in TIOR0), bits TPSC2 to TPSC0 in TCR4 to TCR0, bit NDER2 in NDERA, and bit PA₂DDR in PADDR select the pin function as follows

| | | | | |
|---------------------------|---------------------------|--|------------------------|------------------------|
| ITU channel 0 settings | (1) in table below | (2) in table below | | |
| PA ₂ DDR | — | 0 | 1 | 1 |
| NDER2 | — | — | 0 | 1 |
| Pin function | TIOCA ₀ output | PA ₂ input | PA ₂ output | TP ₂ output |
| | | TIOCA ₀ input* ¹ | | |
| TCLKC input* ² | | | | |

Notes: 1. TIOCA₀ input when IOA2 = 1.

2. TCLKC input when TPSC2 = TPSC1 = 1 and TPSC0 = 0 in any of TCR4 to TCR0.

| | | | | | |
|------------------------|-----|-----|---|-----|-----|
| ITU channel 0 settings | (2) | (1) | | (2) | (1) |
| PWM0 | 0 | | | 1 | |
| IOA2 | 0 | | | 1 | — |
| IOA1 | 0 | 0 | 1 | — | — |
| IOA0 | 0 | 1 | — | — | — |

Pin Pin Functions and Selection Method

PA₁/TP₁/
TCLKB Bit NDER1 in NDERA and bit PA1DDR in PADDR select the pin function as follows

| | | | |
|---------------------|-----------------------|------------------------|------------------------|
| PA ₁ DDR | 0 | 1 | 1 |
| NDER1 | — | 0 | 1 |
| Pin function | PA ₁ input | PA ₁ output | TP ₁ output |
| | TCLKB input* | | |

Note: * TCLKB input when MDF = 1 in TMDR, or when TPSC2 = 1, TPSC1 = 0, and TPSC0 = 1 in any of TCR4 to TCR0.

PA₀/TP₀/
TCLKA Bit NDER0 in NDERA and bit PA0DDR in PADDR select the pin function as follows

| | | | |
|---------------------|-----------------------|------------------------|------------------------|
| PA ₀ DDR | 0 | 1 | 1 |
| NDER0 | — | 0 | 1 |
| Pin function | PA ₀ input | PA ₀ output | TP ₀ output |
| | TCLKA input* | | |

Note: * TCLKA input when MDF = 1 in TMDR, or when TPSC2 = 1 and TPSC1 = TPSC0 = 0 in any of TCR4 to TCR0.

7.11 Port B

7.11.1 Overview

Port B is a 7-bit input/output port that is also used for TPC output (TP₁₅, TP₁₃ to TP₈), ITU input/output (TIOCB₄, TIOCB₃, TIOCA₄, TIOCA₃) and ITU output (TOCXB₄, TOCXA₄), and $\overline{\text{ADTRG}}$ input to the A/D converter. Port B has the same set of pin functions in all operating modes. Figure 7.23 shows the pin configuration of port B.

Pins in port B can drive one TTL load and a 30-pF capacitive load. They can also drive an LED or a Darlington transistor pair. Pins PB₃ to PB₀ have Schmitt-trigger inputs.

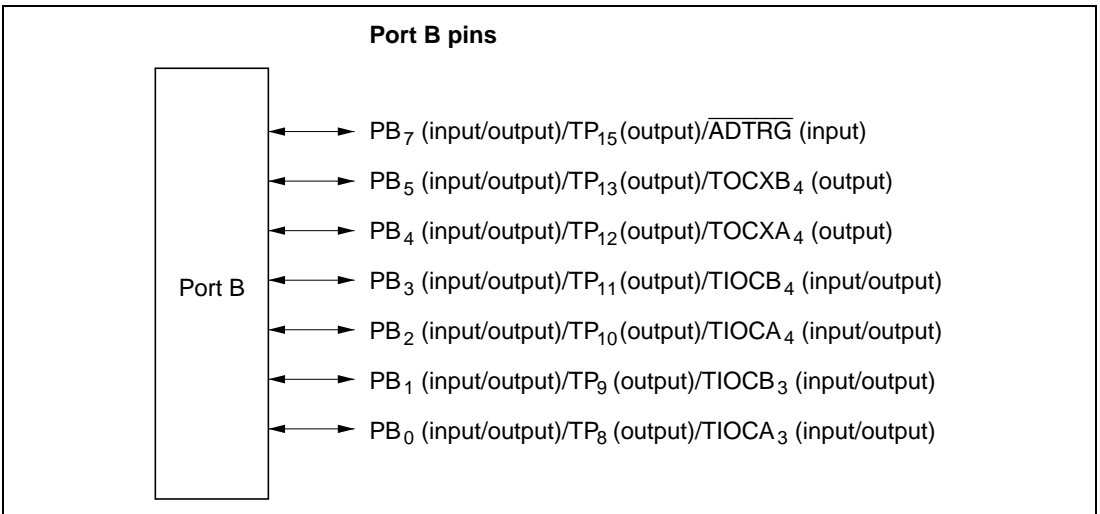


Figure 7.23 Port B Pin Configuration

7.11.2 Register Descriptions

Table 7.17 summarizes the registers of port B.

Table 7.17 Port B Registers

| Address* | Name | Abbreviation | R/W | Initial Value |
|----------|--------------------------------|--------------|-----|---------------|
| H'FFD4 | Port B data direction register | PBDDR | W | H'00 |
| H'FFD6 | Port B data register | PBDR | R/W | H'00 |

Note: * Lower 16 bits of the address.

Port B Data Direction Register (PBDDR)

PBDDR is an 8-bit write-only register that can select input or output for each pin in port B.

| Bit | 7 | 6 | 5 | 4 | 3 | 2 | 1 | 0 |
|---------------|---------------------|---|---------------------|---------------------|---------------------|---------------------|---------------------|---------------------|
| | PB ₇ DDR | — | PB ₅ DDR | PB ₄ DDR | PB ₃ DDR | PB ₂ DDR | PB ₁ DDR | PB ₀ DDR |
| Initial value | 0 | 0 | 0 | 0 | 0 | 0 | 0 | 0 |
| Read/Write | W | W | W | W | W | W | W | W |

Reserved bit
Port B data 7, 5 to 0
 These bits select input or output for port B pins

A pin in port B becomes an output pin if the corresponding PBDDR bit is set to 1, and an input pin if this bit is cleared to 0.

Bit 6 is reserved.

PBDDR is a write-only register. Its value cannot be read. All bits return 1 when read.

PBDDR is initialized to H'00 by a reset and in hardware standby mode. In software standby mode it retains its previous setting. If a PBDDR bit is set to 1, the corresponding pin maintains its output state in software standby mode.

Port B Data Register (PBDR)

PBDR is an 8-bit readable/writable register that stores data for pins PB₇, PB₅ to PB₀.

| Bit | 7 | 6 | 5 | 4 | 3 | 2 | 1 | 0 |
|---------------|-----------------|-----|-----------------|-----------------|-----------------|-----------------|-----------------|-----------------|
| | PB ₇ | — | PB ₅ | PB ₄ | PB ₃ | PB ₂ | PB ₁ | PB ₀ |
| Initial value | 0 | 0 | 0 | 0 | 0 | 0 | 0 | 0 |
| Read/Write | R/W | R/W | R/W | R/W | R/W | R/W | R/W | R/W |

Reserved bit
Port B data 7, 5 to 0
 These bits store data for port B pins

When a bit in PBDDR is set to 1, if port B is read the value of the corresponding PBDR bit is returned directly. When a bit in PBDDR is cleared to 0, if port B is read the corresponding pin level is read. Bit 6 is reserved. Bit 6 can be written and read, but cannot be used for a port input or output.

If bit 6 in PBDDR is read while its value is 1, the value of bit 6 in PBDR will be read directly. If bit 6 in PBDDR is read while its value is 0, it will always be read as 1.

PBDR is initialized to H'00 by a reset and in hardware standby mode. In software standby mode it retains its previous setting.

When port B pins are used for TPC output, PBDR stores output data for TPC output groups 2 and 3. If a bit in the next data enable register (NDERB) is set to 1, the corresponding PBDR bit cannot be written. In this case, PBDR can be updated only when data is transferred from NDRB.

7.11.3 Pin Functions

The port B pins are also used for TPC output (TP_{15} , TP_{13} to TP_8), ITU input/output ($TIOCB_4$, $TIOCB_3$, $TIOCA_4$, $TIOCA_3$) and output ($TOCXB_4$, $TOCXA_4$), and \overline{ADTRG} input. Table 7.18 describes the selection of pin functions.

Table 7.18 Port B Pin Functions

| Pin | Pin Functions and Selection Method | | |
|--|--|---|-------------------------|
| PB ₇ / TP ₁₅ / ADTRG | Bit TRGE in ADCR, bit NDER15 in NDERB and bit PB7DDR in PBDDR select the pin function as follows | | |
| PB ₇ DDR | 0 | 1 | 1 |
| NDER15 | — | 0 | 1 |
| Pin function | PB ₇ input | | TP ₁₅ output |
| | ADTRG input* | | |

Notes: * ADTRG input when TRGE = 1.

| | | | | | |
|---|--|-----------------------|------------------------|-------------------------|---------------------------|
| PB ₅ / TP ₁₃ / TOCXB ₄ | ITU channel 4 settings (bit CMD1 in TFCR and bit EXB4 in TOER), bit NDER13 in NDERB, and bit PB ₅ DDR in PBDDR select the pin function as follows | | | | |
| | EXB4, CMD1 | Not both 1 | | Both 1 | |
| | PB ₅ DDR | 0 | 1 | 1 | — |
| | NDER13 | — | 0 | 1 | — |
| | Pin function | PB ₅ input | PB ₅ output | TP ₁₃ output | TOCXB ₄ output |

| | | | | | |
|---|---|-----------------------|------------------------|-------------------------|---------------------------|
| PB ₄ / TP ₁₂ / TOCXA ₄ | ITU channel 4 settings (bit CMD1 in TFCR and bit EXA4 in TOER), bit NDER12 in NDERB, and bit PB4DDR in PBDDR select the pin function as follows | | | | |
| | EXA4, CMD1 | Not both 1 | | Both 1 | |
| | PB ₄ DDR | 0 | 1 | 1 | — |
| | NDER12 | — | 0 | 1 | — |
| | Pin function | PB ₄ input | PB ₄ output | TP ₁₂ output | TOCXA ₄ output |

Pin Pin Functions and Selection Method

PB₃/
TP₁₁/
TIOCB₄ ITU channel 4 settings (bit PWM4 in TMDR, bit CMD1 in TFCR, bit EB4 in TOER, and bits IOB2 to IOB0 in TIOR4), bit NDER11 in NDERB, and bit PB₃DDR in PBDDR select the pin function as follows

| ITU channel 4 settings | (1) in table below | (2) in table below | | |
|------------------------|---------------------------|---------------------------|------------------------|-------------------------|
| PB ₃ DDR | — | 0 | 1 | 1 |
| NDER11 | — | — | 0 | 1 |
| Pin function | TIOCB ₄ output | PB ₃ input | PB ₃ output | TP ₁₁ output |
| | | TIOCB ₄ input* | | |

Note: * TIOCB₄ input when CMD1 = PWM4 = 0 and IOB2 = 1.

| ITU channel 4 settings | (2) | (2) | (1) | | (2) | (1) |
|------------------------|-----|-----|-----|---|-----|-----|
| EB4 | 0 | 1 | | | | |
| CMD1 | — | 0 | | | | 1 |
| IOB2 | — | 0 | 0 | 0 | 1 | — |
| IOB1 | — | 0 | 0 | 1 | — | — |
| IOB0 | — | 0 | 1 | — | — | — |

Pin Pin Functions and Selection Method

PB₂/
TP₁₀/
TIOCA₄ ITU channel 4 settings (bit CMD1 in TFCR, bit EA4 in TOER, bit PWM4 in TMDR, and bits IOA2 to IOA0 in TIOR4), bit NDER10 in NDERB, and bit PB₂DDR in PBDDR select the pin function as follows

| ITU channel 4 settings | (1) in table below | (2) in table below | | |
|------------------------|---------------------------|---------------------------|------------------------|-------------------------|
| PB ₂ DDR | — | 0 | 1 | 1 |
| NDER11 | — | — | 0 | 1 |
| Pin function | TIOCA ₄ output | PB ₂ input | PB ₂ output | TP ₁₀ output |
| | | TIOCA ₄ input* | | |

Note: * TIOCA₄ input when CMD1 = PWM4 = 0 and IOB2 = 1.

| ITU channel 4 settings | (2) | (2) | (1) | | (2) | (1) | | |
|------------------------|-----|-----|-----|---|-----|-----|---|---|
| EA4 | 0 | 1 | | | | | | |
| CMD1 | — | 0 | | | | | 1 | |
| PWM4 | — | 0 | | | | 1 | | — |
| IOA2 | — | 0 | 0 | 0 | 1 | — | — | |
| IOA1 | — | 0 | 0 | 1 | — | — | — | |
| IOA0 | — | 0 | 1 | — | — | — | — | |

Pin Pin Functions and Selection Method

PB₁/TP₉/
TIOCB₃ ITU channel 3 settings (bit PWM3 in TMDR, bit CMD1 in TFCR, bit EB3 in TOER, and bits IOB2 to IOB0 in TIOR3), bit NDER11 in NDERB, and bit PB₁DDR in PBDDR select the pin function as follows

| ITU channel 3 settings | (1) in table below | (2) in table below | | |
|------------------------|---------------------------|---------------------------|------------------------|------------------------|
| PB ₁ DDR | — | 0 | 1 | 1 |
| NDER9 | — | — | 0 | 1 |
| Pin function | TIOCB ₃ output | PB ₁ input | PB ₁ output | TP ₉ output |
| | | TIOCB ₃ input* | | |

Note: * TIOCB3 input when CMD1 = PWM3 = 0 and IOB2 = 1.

| ITU channel 3 settings | (2) | (2) | (1) | | (2) | (1) |
|------------------------|-----|-----|-----|---|-----|-----|
| EB3 | 0 | 1 | | | | |
| CMD1 | — | 0 | | | | 1 |
| IOB2 | — | 0 | 0 | 0 | 1 | — |
| IOB1 | — | 0 | 0 | 1 | — | — |
| IOB0 | — | 0 | 1 | — | — | — |

Pin Pin Functions and Selection Method

PB₀/TP₈/
TIOCA₃ ITU channel 3 settings (bit CMD1 in TFCR, bit EA3 in TOER, bit PWM3 in TMDR, and bits IOA2 to IOA0 in TIOR3), bit NDER8 in NDERB, and bit PB₀DDR in PBDDR select the pin function as follows

| ITU channel 3 settings | (1) in table below | (2) in table below | | |
|------------------------|---------------------------|---------------------------|------------------------|------------------------|
| PB ₀ DDR | — | 0 | 1 | 1 |
| NDER8 | — | — | 0 | 1 |
| Pin function | TIOCA ₃ output | PB ₀ input | PB ₀ output | TP ₈ output |
| | | TIOCA ₃ input* | | |

Note: * TIOCA₃ input when CMD1 = PWM3 = 0 and IOA2 = 1.

| ITU channel 3 settings | (2) | (2) | (1) | | (2) | (1) | | |
|------------------------|-----|-----|-----|---|-----|-----|---|---|
| EA3 | 0 | 1 | | | | | | |
| CMD1 | — | 0 | | | | | 1 | |
| PWM3 | — | 0 | | | | 1 | | — |
| IOA2 | — | 0 | 0 | 0 | 1 | — | — | |
| IOA1 | — | 0 | 0 | 1 | — | — | — | |
| IOA0 | — | 0 | 1 | — | — | — | — | |

Section 8 16-Bit Integrated Timer Unit (ITU)

8.1 Overview

The H8/3039 Group has a built-in 16-bit integrated timer-pulse unit (ITU) with five 16-bit timer channels.

8.1.1 Features

ITU features are listed below.

- Capability to process up to 12 pulse outputs or 10 pulse inputs
- Ten general registers (GRs, two per channel) with independently-assignable output compare or input capture functions
- Selection of eight counter clock sources for each channel:
 - Internal clocks: ϕ , $\phi/2$, $\phi/4$, $\phi/8$
 - External clocks: TCLKA, TCLKB, TCLKC, TCLKD
- Five operating modes selectable in all channels:
 - Waveform output by compare match
 - Selection of 0 output, 1 output, or toggle output (only 0 or 1 output in channel 2)
 - Input capture function
 - Rising edge, falling edge, or both edges (selectable)
 - Counter clearing function
 - Counters can be cleared by compare match or input capture
 - Synchronization
 - Two or more timer counters (TCNTs) can be preset simultaneously, or cleared simultaneously by compare match or input capture. Counter synchronization enables synchronous register input and output.
 - PWM mode
 - PWM output can be provided with an arbitrary duty cycle. With synchronization, up to five-phase PWM output is possible
- Phase counting mode selectable in channel 2
 - Two-phase encoder output can be counted automatically.

- Three additional modes selectable in channels 3 and 4
 - Reset-synchronized PWM mode

If channels 3 and 4 are combined, three-phase PWM output is possible with three pairs of complementary waveforms.
 - Complementary PWM mode

If channels 3 and 4 are combined, three-phase PWM output is possible with three pairs of non-overlapping complementary waveforms.
 - Buffering

Input capture registers can be double-buffered. Output compare registers can be updated automatically.
- High-speed access via internal 16-bit bus

The 16-bit timer counters, general registers, and buffer registers can be accessed at high speed via a 16-bit bus.
- Fifteen interrupt sources

Each channel has two compare match/input capture interrupts and an overflow interrupt. All interrupts can be requested independently.
- Output triggering of programmable pattern controller (TPC)

Compare match/input capture signals from channels 0 to 3 can be used as TPC output triggers.

Table 8.1 summarizes the ITU functions.

Table 8.1 ITU Functions

| Item | | Channel 0 | Channel 1 | Channel 2 | Channel 3 | Channel 4 |
|---|--------|---|---|---|---|---|
| Clock sources | | Internal clocks: ϕ , $\phi/2$, $\phi/4$, $\phi/8$ External clocks: TCLKA, TCLKB, TCLKC, TCLKD, selectable independently | | | | |
| General registers (output compare/ input capture registers) | | GRA0, GRB0 | GRA1, GRB1 | GRA2, GRB2 | GRA3, GRB3 | GRA4, GRB4 |
| Buffer registers | | — | — | — | BRA3, BRB3 | BRA4, BRB4 |
| Input/output pins | | TIOCA ₀ , TIOCB ₀ | TIOCA ₁ , TIOCB ₁ | TIOCA ₂ , TIOCB ₂ | TIOCA ₃ , TIOCB ₃ | TIOCA ₄ , TIOCB ₄ |
| Output pins | | — | — | — | — | TOCXA ₄ , TOCXB ₄ |
| Counter clearing function | | GRA0/GRB0 compare match or input capture | GRA1/GRB1 compare match or input capture | GRA2/GRB2 compare match or input capture | GRA3/GRB3 compare match or input capture | GRA4/GRB4 compare match or input capture |
| Compare match output | 0 | O | O | O | O | O |
| | 1 | O | O | O | O | O |
| | Toggle | O | O | — | O | O |
| Input capture function | | O | O | O | O | O |
| Synchronization | | O | O | O | O | O |
| PWM mode | | O | O | O | O | O |
| Reset-synchronized PWM mode | | — | — | — | O | O |
| Complementary PWM mode | | — | — | — | O | O |
| Phase counting mode | | — | — | O | — | — |
| Buffering | | — | — | — | O | O |
| Interrupt sources | | Three sources • Compare match/input capture A0 • Compare match/input capture B0 • Overflow | Three sources • Compare match/input capture A1 • Compare match/input capture B1 • Overflow | Three sources • Compare match/input capture A2 • Compare match/input capture B2 • Overflow | Three sources • Compare match/input capture A3 • Compare match/input capture B3 • Overflow | Three sources • Compare match/input capture A4 • Compare match/input capture B4 • Overflow |

Legend:

O: Available

—: Not available

8.1.2 Block Diagrams

ITU Block Diagram (Overall)

Figure 8.1 is a block diagram of the ITU.

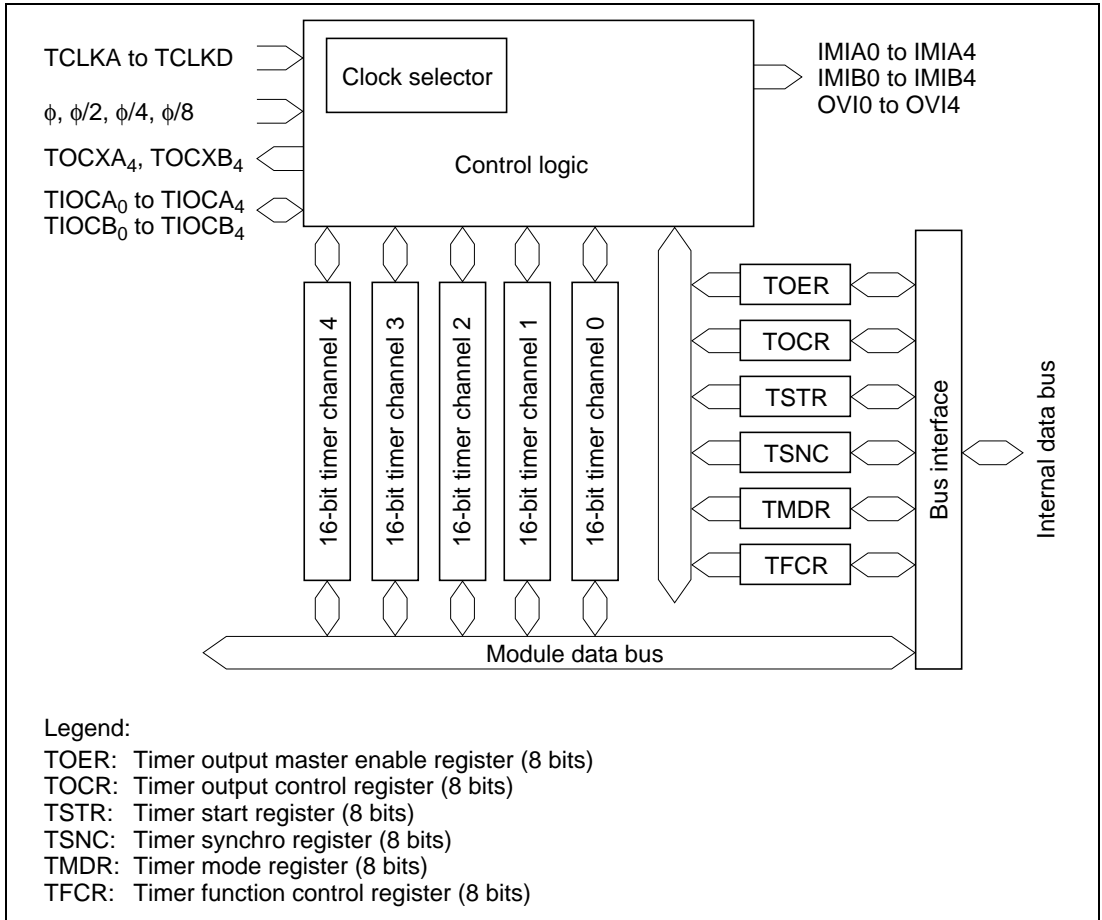


Figure 8.1 ITU Block Diagram (Overall)

Block Diagram of Channels 0 and 1

ITU channels 0 and 1 are functionally identical. Both have the structure shown in figure 8.2.

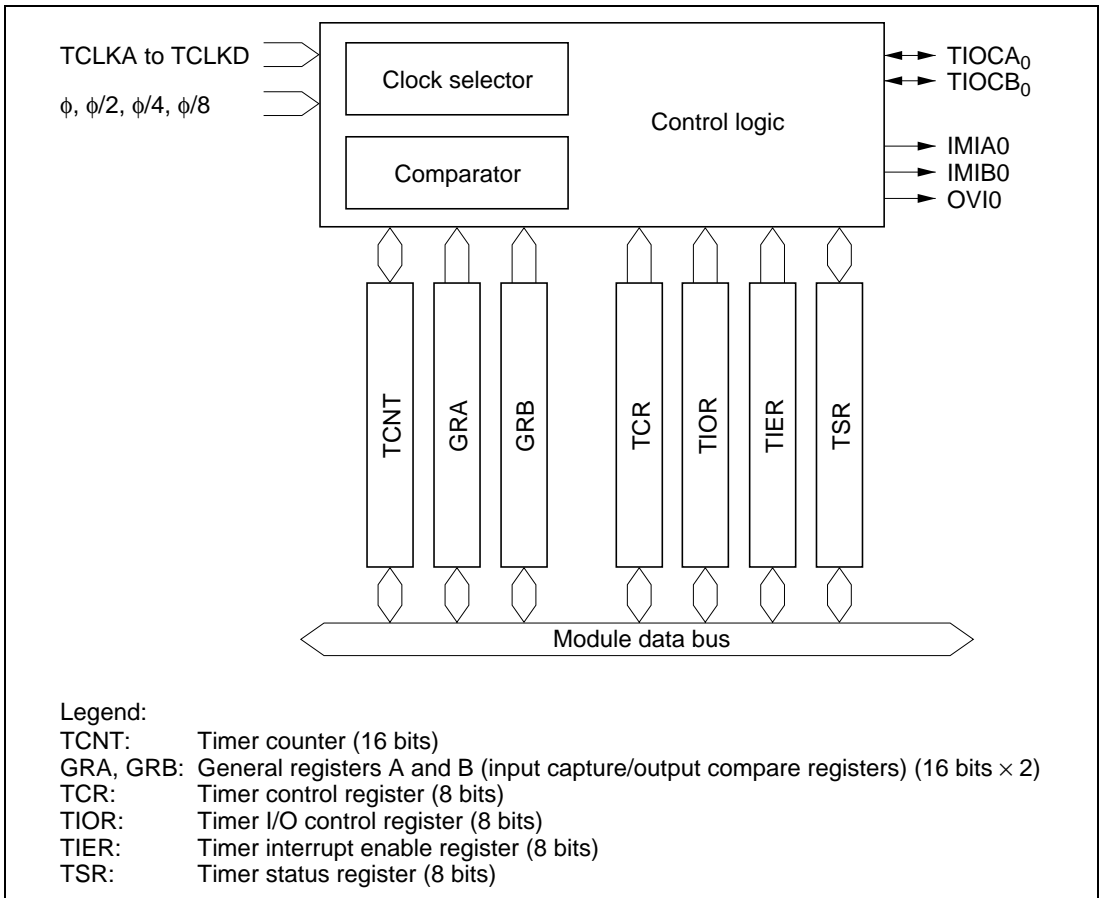


Figure 8.2 Block Diagram of Channels 0 and 1 (for Channel 0)

Block Diagram of Channel 2

Figure 8.3 is a block diagram of channel 2. This is the channel that provides only 0 output and 1 output.

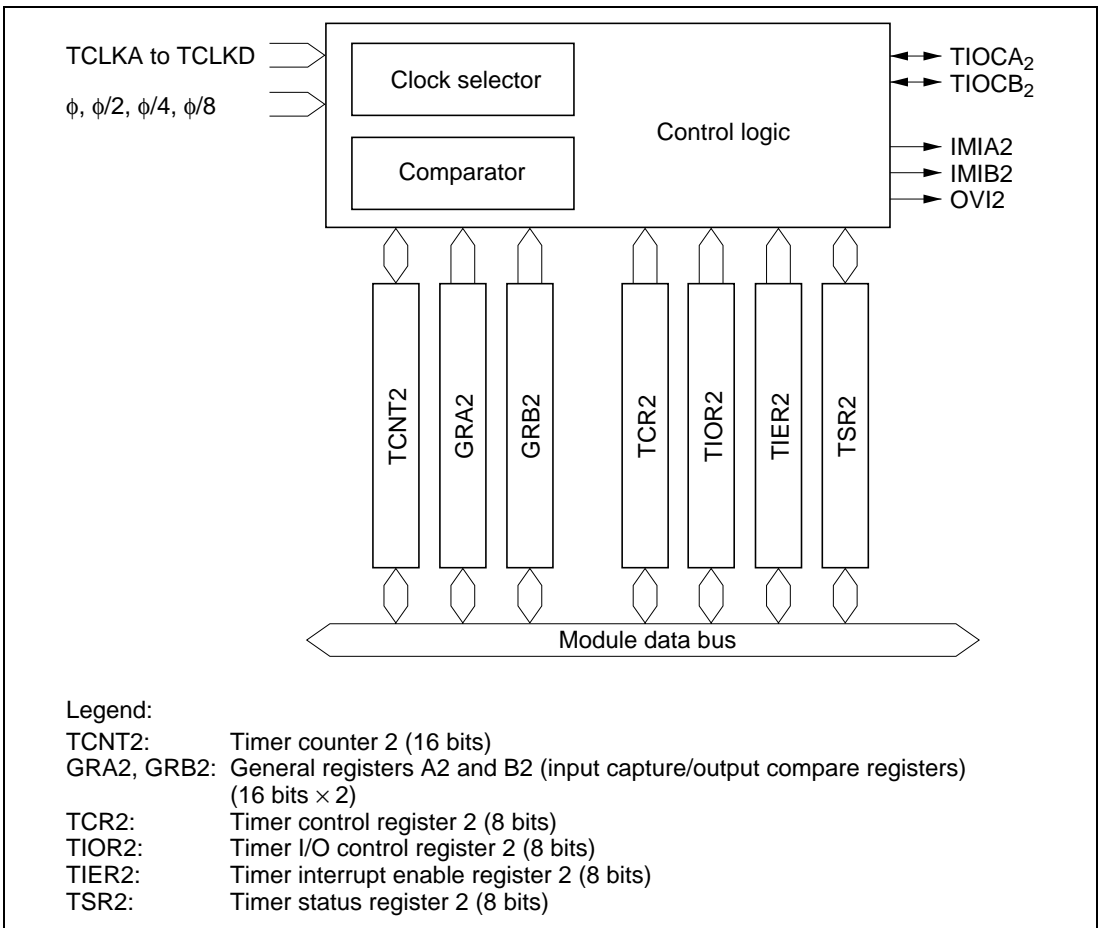


Figure 8.3 Block Diagram of Channel 2

Block Diagrams of Channels 3 and 4

Figure 8.4 is a block diagram of channel 3. Figure 8.5 is a block diagram of channel 4.

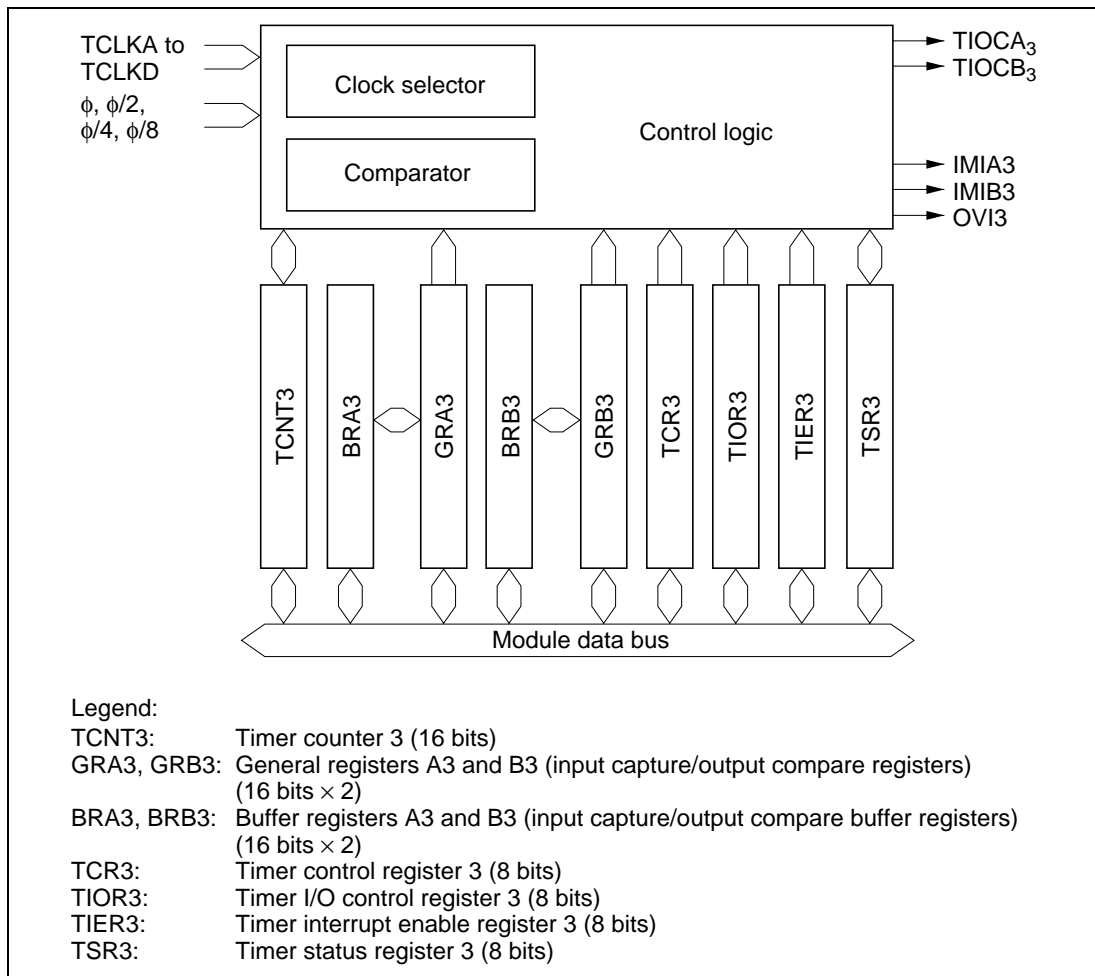


Figure 8.4 Block Diagram of Channel 3

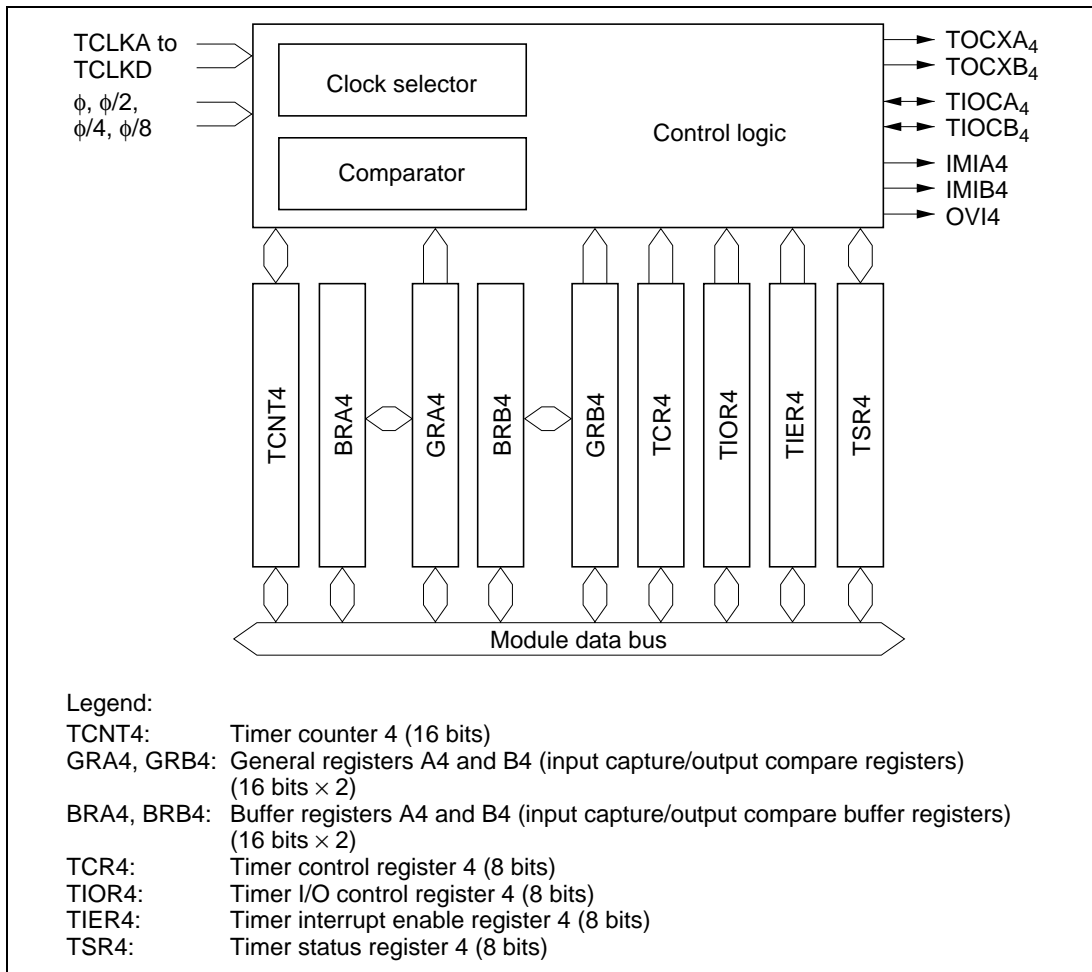


Figure 8.5 Block Diagram of Channel 4

8.1.3 Input/Output Pins

Table 8.2 summarizes the ITU pins.

Table 8.2 ITU Pins

| Channel | Name | Abbreviation | Input/Output | Function |
|---------|---------------------------------|--------------------|--------------|---|
| Common | Clock input A | TCLKA | Input | External clock A input pin (phase-A input pin in phase counting mode) |
| | Clock input B | TCLKB | Input | External clock B input pin (phase-B input pin in phase counting mode) |
| | Clock input C | TCLKC | Input | External clock C input pin |
| | Clock input D | TCLKD | Input | External clock D input pin |
| 0 | Input capture/output compare A0 | TIOCA ₀ | Input/output | GRA0 output compare or input capture pin PWM output pin in PWM mode |
| | Input capture/output compare B0 | TIOCB ₀ | Input/output | GRB0 output compare or input capture pin |
| 1 | Input capture/output compare A1 | TIOCA ₁ | Input/output | GRA1 output compare or input capture pin PWM output pin in PWM mode |
| | Input capture/output compare B1 | TIOCB ₁ | Input/output | GRB1 output compare or input capture pin |
| 2 | Input capture/output compare A2 | TIOCA ₂ | Input/output | GRA2 output compare or input capture pin PWM output pin in PWM mode |
| | Input capture/output compare B2 | TIOCB ₂ | Input/output | GRB2 output compare or input capture pin |
| 3 | Input capture/output compare A3 | TIOCA ₃ | Input/output | GRA3 output compare or input capture pin PWM output pin in PWM mode, complementary PWM mode, or reset-synchronized PWM mode |
| | Input capture/output compare B3 | TIOCB ₃ | Input/output | GRB3 output compare or input capture pin PWM output pin in complementary PWM mode or reset-synchronized PWM mode |

| Channel | Name | Abbreviation | Input/Output | Function |
|---------|---------------------------------|--------------------|--------------|---|
| 4 | Input capture/output compare A4 | TIOCA ₄ | Input/output | GRA4 output compare or input capture pin PWM output pin in PWM mode, complementary PWM mode, or reset-synchronized PWM mode |
| | Input capture/output compare B4 | TIOCB ₄ | Input/output | GRB4 output compare or input capture pin PWM output pin in complementary PWM mode or reset-synchronized PWM mode |
| | Output compare XA4 | TOCXA ₄ | Output | PWM output pin in complementary PWM mode or reset-synchronized PWM mode |
| | Output compare XB4 | TOCXB ₄ | Output | PWM output pin in complementary PWM mode or reset-synchronized PWM mode |

8.1.4 Register Configuration

Table 8.3 summarizes the ITU registers.

Table 8.3 ITU Registers

| Channel | Address* ¹ | Name | Abbreviation | R/W | Initial Value | |
|---------|-----------------------|-------------------------------------|------------------------------|---------------------|---------------|------|
| Common | H'FF60 | Timer start register | TSTR | R/W | H'E0 | |
| | H'FF61 | Timer synchro register | TSNC | R/W | H'E0 | |
| | H'FF62 | Timer mode register | TMDR | R/W | H'80 | |
| | H'FF63 | Timer function control register | TFCR | R/W | H'C0 | |
| | H'FF90 | Timer output master enable register | TOER | R/W | H'FF | |
| | H'FF91 | Timer output control register | TOCR | R/W | H'FF | |
| 0 | H'FF64 | Timer control register 0 | TCR0 | R/W | H'80 | |
| | H'FF65 | Timer I/O control register 0 | TIOR0 | R/W | H'88 | |
| | H'FF66 | Timer interrupt enable register 0 | TIER0 | R/W | H'F8 | |
| | H'FF67 | Timer status register 0 | TSR0 | R/(W)* ² | H'F8 | |
| | H'FF68 | Timer counter 0 (high) | TCNT0H | R/W | H'00 | |
| | H'FF69 | Timer counter 0 (low) | TCNT0L | R/W | H'00 | |
| | H'FF6A | General register A0 (high) | GRA0H | R/W | H'FF | |
| | H'FF6B | General register A0 (low) | GRA0L | R/W | H'FF | |
| | H'FF6C | General register B0 (high) | GRB0H | R/W | H'FF | |
| | H'FF6D | General register B0 (low) | GRB0L | R/W | H'FF | |
| | 1 | H'FF6E | Timer control register 1 | TCR1 | R/W | H'80 |
| | | H'FF6F | Timer I/O control register 1 | TIOR1 | R/W | H'88 |
| H'FF70 | | Timer interrupt enable register 1 | TIER1 | R/W | H'F8 | |
| H'FF71 | | Timer status register 1 | TSR1 | R/(W)* ² | H'F8 | |
| H'FF72 | | Timer counter 1 (high) | TCNT1H | R/W | H'00 | |
| H'FF73 | | Timer counter 1 (low) | TCNT1L | R/W | H'00 | |
| H'FF74 | | General register A1 (high) | GRA1H | R/W | H'FF | |
| H'FF75 | | General register A1 (low) | GRA1L | R/W | H'FF | |
| H'FF76 | | General register B1 (high) | GRB1H | R/W | H'FF | |
| H'FF77 | | General register B1 (low) | GRB1L | R/W | H'FF | |

| Channel | Address* ¹ | Name | Abbreviation | R/W | Initial Value |
|---------|-----------------------|-----------------------------------|--------------|---------------------|---------------|
| 2 | H'FF78 | Timer control register 2 | TCR2 | R/W | H'80 |
| | H'FF79 | Timer I/O control register 2 | TIOR2 | R/W | H'88 |
| | H'FF7A | Timer interrupt enable register 2 | TIER2 | R/W | H'F8 |
| | H'FF7B | Timer status register 2 | TSR2 | R/(W)* ² | H'F8 |
| | H'FF7C | Timer counter 2 (high) | TCNT2H | R/W | H'00 |
| | H'FF7D | Timer counter 2 (low) | TCNT2L | R/W | H'00 |
| | H'FF7E | General register A2 (high) | GRA2H | R/W | H'FF |
| | H'FF7F | General register A2 (low) | GRA2L | R/W | H'FF |
| | H'FF80 | General register B2 (high) | GRB2H | R/W | H'FF |
| | H'FF81 | General register B2 (low) | GRB2L | R/W | H'FF |
| 3 | H'FF82 | Timer control register 3 | TCR3 | R/W | H'80 |
| | H'FF83 | Timer I/O control register 3 | TIOR3 | R/W | H'88 |
| | H'FF84 | Timer interrupt enable register 3 | TIER3 | R/W | H'F8 |
| | H'FF85 | Timer status register 3 | TSR3 | R/(W)* ² | H'F8 |
| | H'FF86 | Timer counter 3 (high) | TCNT3H | R/W | H'00 |
| | H'FF87 | Timer counter 3 (low) | TCNT3L | R/W | H'00 |
| | H'FF88 | General register A3 (high) | GRA3H | R/W | H'FF |
| | H'FF89 | General register A3 (low) | GRA3L | R/W | H'FF |
| | H'FF8A | General register B3 (high) | GRB3H | R/W | H'FF |
| | H'FF8B | General register B3 (low) | GRB3L | R/W | H'FF |
| | H'FF8C | Buffer register A3 (high) | BRA3H | R/W | H'FF |
| | H'FF8D | Buffer register A3 (low) | BRA3L | R/W | H'FF |
| | H'FF8E | Buffer register B3 (high) | BRB3H | R/W | H'FF |
| | H'FF8F | Buffer register B3 (low) | BRB3L | R/W | H'FF |

| Channel | Address* ¹ | Name | Abbreviation | R/W | Initial Value |
|---------|-----------------------|-----------------------------------|--------------|---------------------|---------------|
| 4 | H'FF92 | Timer control register 4 | TCR4 | R/W | H'80 |
| | H'FF93 | Timer I/O control register 4 | TIOR4 | R/W | H'88 |
| | H'FF94 | Timer interrupt enable register 4 | TIER4 | R/W | H'F8 |
| | H'FF95 | Timer status register 4 | TSR4 | R/(W)* ² | H'F8 |
| | H'FF96 | Timer counter 4 (high) | TCNT4H | R/W | H'00 |
| | H'FF97 | Timer counter 4 (low) | TCNT4L | R/W | H'00 |
| | H'FF98 | General register A4 (high) | GRA4H | R/W | H'FF |
| | H'FF99 | General register A4 (low) | GRA4L | R/W | H'FF |
| | H'FF9A | General register B4 (high) | GRB4H | R/W | H'FF |
| | H'FF9B | General register B4 (low) | GRB4L | R/W | H'FF |
| | H'FF9C | Buffer register A4 (high) | BRA4H | R/W | H'FF |
| | H'FF9D | Buffer register A4 (low) | BRA4L | R/W | H'FF |
| | H'FF9E | Buffer register B4 (high) | BRB4H | R/W | H'FF |
| | H'FF9F | Buffer register B4 (low) | BRB4L | R/W | H'FF |

Notes: 1. The lower 16 bits of the address are indicated.

2. Only 0 can be written, to clear flags.

8.2 Register Descriptions

8.2.1 Timer Start Register (TSTR)

TSTR is an 8-bit readable/writable register that starts and stops the timer counter (TCNT) in channels 0 to 4.

| | | | | | | | | |
|---------------|---|---|---|------|------|------|------|------|
| Bit | 7 | 6 | 5 | 4 | 3 | 2 | 1 | 0 |
| | — | — | — | STR4 | STR3 | STR2 | STR1 | STR0 |
| Initial value | 1 | 1 | 1 | 0 | 0 | 0 | 0 | 0 |
| Read/Write | — | — | — | R/W | R/W | R/W | R/W | R/W |

Reserved bits
Counter start 4 to 0
These bits start and stop TCNT4 to TCNT0

TSTR is initialized to H'E0 by a reset and in standby mode.

Bits 7 to 5—Reserved: These bits cannot be modified and are always read as 1.

Bit 4—Counter Start 4 (STR4): Starts and stops timer counter 4 (TCNT4).

| Bit4 STR4 | Description | |
|--------------|-------------------|-----------------|
| 0 | TCNT4 is halted | (Initial value) |
| 1 | TCNT4 is counting | |

Bit 3—Counter Start 3 (STR3): Starts and stops timer counter 3 (TCNT3).

| Bit 3 STR3 | Description | |
|---------------|-------------------|-----------------|
| 0 | TCNT3 is halted | (Initial value) |
| 1 | TCNT3 is counting | |

Bit 2—Counter Start 2 (STR2): Starts and stops timer counter 2 (TCNT2).

| Bit 2 | |
|--------------|---------------------------------|
| STR2 | Description |
| 0 | TCNT2 is halted (Initial value) |
| 1 | TCNT2 is counting |

Bit 1—Counter Start 1 (STR1): Starts and stops timer counter 1 (TCNT1).

| Bit 1 | |
|--------------|---------------------------------|
| STR1 | Description |
| 0 | TCNT1 is halted (Initial value) |
| 1 | TCNT1 is counting |

Bit 0—Counter Start 0 (STR0): Starts and stops timer counter 0 (TCNT0).

| Bit 0 | |
|--------------|---------------------------------|
| STR0 | Description |
| 0 | TCNT0 is halted (Initial value) |
| 1 | TCNT0 is counting |

8.2.2 Timer Synchro Register (TSNC)

TSNC is an 8-bit readable/writable register that selects whether channels 0 to 4 operate independently or synchronously. Channels are synchronized by setting the corresponding bits to 1.

| | | | | | | | | |
|---------------|---|---|---|-------|-------|-------|-------|-------|
| Bit | 7 | 6 | 5 | 4 | 3 | 2 | 1 | 0 |
| | — | — | — | SYNC4 | SYNC3 | SYNC2 | SYNC1 | SYNC0 |
| Initial value | 1 | 1 | 1 | 0 | 0 | 0 | 0 | 0 |
| Read/Write | — | — | — | R/W | R/W | R/W | R/W | R/W |

Reserved bits
Timer sync 4 to 0
These bits synchronize channels 4 to 0

TSNC is initialized to H'E0 by a reset and in standby mode.

Bits 7 to 5—Reserved: These bits cannot be modified and are always read as 1.

Bit 4—Timer Sync 4 (SYNC4): Selects whether channel 4 operates independently or synchronously.

Bit 4

SYNC4 Description

| | |
|---|--|
| 0 | Channel 4's timer counter (TCNT4) operates independently TCNT4 is preset and cleared independently of other channels (Initial value) |
| 1 | Channel 4 operates synchronously TCNT4 can be synchronously preset and cleared |

Bit 3—Timer Sync 3 (SYNC3): Selects whether channel 3 operates independently or synchronously.

Bit 3

SYNC3 Description

| | |
|---|--|
| 0 | Channel 3's timer counter (TCNT3) operates independently TCNT3 is preset and cleared independently of other channels (Initial value) |
| 1 | Channel 3 operates synchronously TCNT3 can be synchronously preset and cleared |

Bit 2—Timer Sync 2 (SYNC2): Selects whether channel 2 operates independently or synchronously.

Bit 2**SYNC2 Description**

| | |
|---|--|
| 0 | Channel 2's timer counter (TCNT2) operates independently TCNT2 is preset and cleared independently of other channels (Initial value) |
| 1 | Channel 2 operates synchronously TCNT2 can be synchronously preset and cleared |

Bit 1—Timer Sync 1 (SYNC1): Selects whether channel 1 operates independently or synchronously.

Bit 1**SYNC1 Description**

| | |
|---|--|
| 0 | Channel 1's timer counter (TCNT1) operates independently TCNT1 is preset and cleared independently of other channels (Initial value) |
| 1 | Channel 1 operates synchronously TCNT1 can be synchronously preset and cleared |

Bit 0—Timer Sync 0 (SYNC0): Selects whether channel 0 operates independently or synchronously.

Bit 0**SYNC0 Description**

| | |
|---|--|
| 0 | Channel 0's timer counter (TCNT0) operates independently TCNT0 is preset and cleared independently of other channels (Initial value) |
| 1 | Channel 0 operates synchronously TCNT0 can be synchronously preset and cleared |

8.2.3 Timer Mode Register (TMDR)

TMDR is an 8-bit readable/writable register that selects PWM mode for channels 0 to 4. It also selects phase counting mode and the overflow flag (OVF) setting conditions for channel 2.

| Bit | 7 | 6 | 5 | 4 | 3 | 2 | 1 | 0 |
|---------------|---|-----|------|------|------|------|------|------|
| | — | MDF | FDIR | PWM4 | PWM3 | PWM2 | PWM1 | PWM0 |
| Initial value | 1 | 0 | 0 | 0 | 0 | 0 | 0 | 0 |
| Read/Write | — | R/W | R/W | R/W | R/W | R/W | R/W | R/W |

Reserved bit
 Bit 7 is reserved.

Phase counting mode flag
 Bit 6 (MDF) selects phase counting mode for channel 2.

Flag direction
 Bit 5 (FDIR) selects the setting condition for the overflow flag (OVF) in timer status register 2 (TSR2).

PWM mode 4 to 0
 Bits 4 to 0 (PWM4 to PWM0) select PWM mode for channels 4 to 0.

TMDR is initialized to H'80 by a reset and in standby mode.





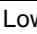

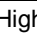
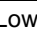
Bit 7—Reserved: This bit cannot be modified and is always read as 1.

Bit 6—Phase Counting Mode Flag (MDF): Selects whether channel 2 operates normally or in phase counting mode.

Bit 6

| MDF | Description |
|-----|---|
| 0 | Channel 2 operates normally (Initial value) |
| 1 | Channel 2 operates in phase counting mode |

When MDF is set to 1 to select phase counting mode, timer counter 2 (TCNT2) operates as an up/down-counter and pins TCLKA and TCLKB become counter clock input pins. TCNT2 counts both rising and falling edges of TCLKA and TCLKB, and counts up or down as follows.

| Counting Direction | Down-Counting | | | | Up-Counting | | | |
|--------------------|---|---|---|---|---|---|---|---|
| TCLKA pin |  | High |  | Low |  | Low |  | High |
| TCLKB pin | Low |  | High |  | High |  | Low |  |

In phase counting mode channel 2 operates as above regardless of the external clock edges selected by bits CKEG1 and CKEG0 and the clock source selected by bits TPSC2 to TPSC0 in timer control register 2 (TCR2). Phase counting mode takes precedence over these settings.

The counter clearing condition selected by the CCLR1 and CCLR0 bits in TCR2 and the compare match/input capture settings and interrupt functions of timer I/O control register 2 (TIOR2), timer interrupt enable register 2 (TIER2), and timer status register 2 (TSR2) remain effective in phase counting mode.

Bit 5—Flag Direction (FDIR): Designates the setting condition for the overflow flag (OVF) in timer status register 2 (TSR2). The FDIR designation is valid in all modes in channel 2.

Bit 5

| FDIR | Description | |
|------|--|-----------------|
| 0 | OVF is set to 1 in TSR2 when TCNT2 overflows or underflows | (Initial value) |
| 1 | OVF is set to 1 in TSR2 when TCNT2 overflows | |

Bit 4—PWM Mode 4 (PWM4): Selects whether channel 4 operates normally or in PWM mode.

Bit 4

| PWM4 | Description | |
|------|--------------------------------|-----------------|
| 0 | Channel 4 operates normally | (Initial value) |
| 1 | Channel 4 operates in PWM mode | |

When bit PWM4 is set to 1 to select PWM mode, pin TIOCA4 becomes a PWM output pin. The output goes to 1 at compare match with general register A4 (GRA4), and to 0 at compare match with general register B4 (GRB4).

If complementary PWM mode or reset-synchronized PWM mode is selected by bits CMD1 and CMD0 in the timer function control register (TFCR), the CMD1 and CMD0 setting takes precedence and the PWM4 setting is ignored.

Bit 3—PWM Mode 3 (PWM3): Selects whether channel 3 operates normally or in PWM mode.

Bit 3

| PWM3 | Description | |
|------|--------------------------------|-----------------|
| 0 | Channel 3 operates normally | (Initial value) |
| 1 | Channel 3 operates in PWM mode | |

When bit PWM3 is set to 1 to select PWM mode, pin TIOCA3 becomes a PWM output pin. The output goes to 1 at compare match with general register A3 (GRA3), and to 0 at compare match with general register B3 (GRB3).

If complementary PWM mode or reset-synchronized PWM mode is selected by bits CMD1 and CMD0 in the timer function control register (TFCR), the CMD1 and CMD0 setting takes precedence and the PWM3 setting is ignored.

Bit 2—PWM Mode 2 (PWM2): Selects whether channel 2 operates normally or in PWM mode.

Bit 2

| PWM2 | Description | |
|------|--------------------------------|-----------------|
| 0 | Channel 2 operates normally | (Initial value) |
| 1 | Channel 2 operates in PWM mode | |

When bit PWM2 is set to 1 to select PWM mode, pin TIOCA2 becomes a PWM output pin. The output goes to 1 at compare match with general register A2 (GRA2), and to 0 at compare match with general register B2 (GRB2).

Bit 1—PWM Mode 1 (PWM1): Selects whether channel 1 operates normally or in PWM mode.

Bit 1

| PWM1 | Description | |
|------|--------------------------------|-----------------|
| 0 | Channel 1 operates normally | (Initial value) |
| 1 | Channel 1 operates in PWM mode | |

When bit PWM1 is set to 1 to select PWM mode, pin TIOCA1 becomes a PWM output pin. The output goes to 1 at compare match with general register A1 (GRA1), and to 0 at compare match with general register B1 (GRB1).

Bit 0—PWM Mode 0 (PWM0): Selects whether channel 0 operates normally or in PWM mode.

Bit 0

| PWM0 | Description | |
|------|--------------------------------|-----------------|
| 0 | Channel 0 operates normally | (Initial value) |
| 1 | Channel 0 operates in PWM mode | |

When bit PWM0 is set to 1 to select PWM mode, pin TIOCA0 becomes a PWM output pin. The output goes to 1 at compare match with general register A0 (GRA0), and to 0 at compare match with general register B0 (GRB0).

8.2.4 Timer Function Control Register (TFCR)

TFCR is an 8-bit readable/writable register that selects complementary PWM mode, reset-synchronized PWM mode, and buffering for channels 3 and 4.

| Bit | 7 | 6 | 5 | 4 | 3 | 2 | 1 | 0 |
|---------------|---|---|------|------|------|------|------|------|
| | — | — | CMD1 | CMD0 | BFB4 | BFA4 | BFB3 | BFA3 |
| Initial value | 1 | 1 | 0 | 0 | 0 | 0 | 0 | 0 |
| Read/Write | — | — | R/W | R/W | R/W | R/W | R/W | R/W |

Reserved bits

Combination mode 1/0
These bits select complementary PWM mode or reset-synchronized PWM mode for channels 3 and 4

Buffer mode B4 and A4
These bits select buffering of general registers (GRB4 and GRA4) by buffer registers (BRB4 and BRA4) in channel 4

Buffer mode B3 and A3
These bits select buffering of general registers (GRB3 and GRA3) by buffer registers (BRB3 and BRA3) in channel 3

TFCR is initialized to H'C0 by a reset and in standby mode.

Bits 7 and 6—Reserved: These bits cannot be modified and are always read as 1.

Bits 5 and 4—Combination Mode 1 and 0 (CMD1, CMD0): These bits select whether channels 3 and 4 operate in normal mode, complementary PWM mode, or reset-synchronized PWM mode.

| Bit 5 CMD1 | Bit 4 CMD0 | Description | |
|---------------|---------------|--|-----------------|
| 0 | 0 | Channels 3 and 4 operate normally | (Initial value) |
| | 1 | | |
| 1 | 0 | Channels 3 and 4 operate together in complementary PWM mode | |
| | 1 | Channels 3 and 4 operate together in reset-synchronized PWM mode | |

Before selecting reset-synchronized PWM mode or complementary PWM mode, halt the timer counter or counters that will be used in these modes.

When these bits select complementary PWM mode or reset-synchronized PWM mode, they take precedence over the setting of the PWM mode bits (PWM4 and PWM3) in TMDR. Settings of timer sync bits SYNC4 and SYNC3 in the timer synchro register (TSNC) are valid in complementary PWM mode and reset-synchronized PWM mode, however. When complementary PWM mode is selected, channels 3 and 4 must not be synchronized (do not set bits SYNC3 and SYNC4 both to 1 in TSNC).

Bit 3—Buffer Mode B4 (BFB4): Selects whether GRB4 operates normally in channel 4, or whether GRB4 is buffered by BRB4.

| Bit 3 BFB4 | Description | |
|---------------|--------------------------|-----------------|
| 0 | GRB4 operates normally | (Initial value) |
| 1 | GRB4 is buffered by BRB4 | |

Bit 2—Buffer Mode A4 (BFA4): Selects whether GRA4 operates normally in channel 4, or whether GRA4 is buffered by BRA4.

| Bit 2 BFA4 | Description | |
|---------------|--------------------------|-----------------|
| 0 | GRA4 operates normally | (Initial value) |
| 1 | GRA4 is buffered by BRA4 | |

Bit 1—Buffer Mode B3 (BFB3): Selects whether GRB3 operates normally in channel 3, or whether GRB3 is buffered by BRB3.

| Bit 1 BFB3 | Description |
|---------------|--|
| 0 | GRB3 operates normally (Initial value) |
| 1 | GRB3 is buffered by BRB3 |

Bit 0—Buffer Mode A3 (BFA3): Selects whether GRA3 operates normally in channel 3, or whether GRA3 is buffered by BRA3.

| Bit 0 BFA3 | Description |
|---------------|--|
| 0 | GRA3 operates normally (Initial value) |
| 1 | GRA3 is buffered by BRA3 |

8.2.5 Timer Output Master Enable Register (TOER)

TOER is an 8-bit readable/writable register that enables or disables output settings for channels 3 and 4.

| Bit | 7 | 6 | 5 | 4 | 3 | 2 | 1 | 0 |
|---------------|---|---|------|------|-----|-----|-----|-----|
| | — | — | EXB4 | EXA4 | EB3 | EB4 | EA4 | EA3 |
| Initial value | 1 | 1 | 1 | 1 | 1 | 1 | 1 | 1 |
| Read/Write | — | — | R/W | R/W | R/W | R/W | R/W | R/W |

Reserved bits

Master enable TOCXA₄, TOCXB₄

These bits enable or disable output settings for pins TOCXA₄ and TOCXB₄

Master enable TIOCA₃, TIOCB₃, TIOCA₄, TIOCB₄

These bits enable or disable output settings for pins TIOCA₃, TIOCB₃, TIOCA₄, and TIOCB₄

TOER is initialized to H'FF by a reset and in standby mode.

Bits 7 and 6—Reserved: These bits cannot be modified and are always read as 1.

Bit 5—Master Enable TOCXB₄ (EXB4): Enables or disables ITU output at pin TOCXB₄.

Bit 5

EXB4

Description

| | |
|---|--|
| 0 | TOCXB ₄ output is disabled regardless of TFCR settings (TOCXB ₄ operates as a generic input/output pin). If XTGD = 0, EXB4 is cleared to 0 when input capture A occurs in channel 1. |
| 1 | TOCXB ₄ is enabled for output according to TFCR settings (Initial value) |

Bit 4—Master Enable TOCXA₄ (EXA4): Enables or disables ITU output at pin TOCXA₄.

Bit 4

EXA4

Description

| | |
|---|---|
| 0 | TOCXA ₄ output is disabled regardless of TFCR settings (TOCXA ₄ operates as a generic input/output pin). If XTGD = 0, EXA4 is cleared to 0 when input capture A occurs in channel 1. |
| 1 | TOCXA ₄ is enabled for output according to TFCR settings (Initial value) |

Bit 3—Master Enable TIOCB₃ (EB3): Enables or disables ITU output at pin TIOCB₃.

| Bit 3 EB3 | Description |
|--------------|--|
| 0 | TIOCB ₃ output is disabled regardless of TIOR3 and TFCR settings (TIOCB ₃ operates as a generic input/output pin). If XTGD = 0, EB3 is cleared to 0 when input capture A occurs in channel 1. |
| 1 | TIOCB ₃ is enabled for output according to TIOR3 and TFCR settings (Initial value) |

Bit 2—Master Enable TIOCB₄ (EB4): Enables or disables ITU output at pin TIOCB₄.

| Bit 2 EB4 | Description |
|--------------|--|
| 0 | TIOCB ₄ output is disabled regardless of TIOR4 and TFCR settings (TIOCB ₄ operates as a generic input/output pin). If XTGD = 0, EB4 is cleared to 0 when input capture A occurs in channel 1. |
| 1 | TIOCB ₄ is enabled for output according to TIOR4 and TFCR settings (Initial value) |

Bit 1—Master Enable TIOCA₄ (EA4): Enables or disables ITU output at pin TIOCA₄.

| Bit 1 EA4 | Description |
|--------------|---|
| 0 | TIOCA ₄ output is disabled regardless of TIOR4, TMDR, and TFCR settings (TIOCA ₄ operates as a generic input/output pin). If XTGD = 0, EA4 is cleared to 0 when input capture A occurs in channel 1. |
| 1 | TIOCA ₄ is enabled for output according to TIOR4, TMDR, and TFCR settings (Initial value) |

Bit 0—Master Enable TIOCA₃ (EA3): Enables or disables ITU output at pin TIOCA₃.

| Bit 0 EA3 | Description |
|--------------|---|
| 0 | TIOCA ₃ output is disabled regardless of TIOR3, TMDR, and TFCR settings (TIOCA ₃ operates as a generic input/output pin). If XTGD = 0, EA3 is cleared to 0 when input capture A occurs in channel 1. |
| 1 | TIOCA ₃ is enabled for output according to TIOR3, TMDR, and TFCR settings (Initial value) |

8.2.6 Timer Output Control Register (TOCR)

TOCR is an 8-bit readable/writable register that selects externally triggered disabling of output in complementary PWM mode and reset-synchronized PWM mode, and inverts the output levels.

| Bit | 7 | 6 | 5 | 4 | 3 | 2 | 1 | 0 |
|---------------|---|---|---|------|---|---|------|------|
| | — | — | — | XTGD | — | — | OLS4 | OLS3 |
| Initial value | 1 | 1 | 1 | 1 | 1 | 1 | 1 | 1 |
| Read/Write | — | — | — | R/W | — | — | R/W | R/W |

Reserved bits
Output level select 3, 4
These bits select output levels in complementary PWM mode and reset-synchronized PWM mode

Reserved bits

External trigger disable
 Selects externally triggered disabling of output in complementary PWM mode and reset-synchronized PWM mode

The settings of the XTGD, OLS4, and OLS3 bits are valid only in complementary PWM mode and reset-synchronized PWM mode. These settings do not affect other modes.

TOCR is initialized to H'FF by a reset and in standby mode.

Bits 7 to 5—Reserved: These bits cannot be modified and are always read as 1.

Bit 4—External Trigger Disable (XTGD): Selects externally triggered disabling of ITU output in complementary PWM mode and reset-synchronized PWM mode.

Bit 4

| XTGD | Description |
|------|---|
| 0 | Input capture A in channel 1 is used as an external trigger signal in complementary PWM mode and reset-synchronized PWM mode. When an external trigger occurs, bits 5 to 0 in the timer output master enable register (TOER) are cleared to 0, disabling ITU output. |
| 1 | External triggering is disabled (Initial value) |

Bits 3 and 2—Reserved: These bits cannot be modified and are always read as 1.

Bit 1—Output Level Select 4 (OLS4): Selects output levels in complementary PWM mode and reset-synchronized PWM mode.

Bit 1

| OLS4 | Description |
|------|---|
| 0 | TIOCA ₃ , TIOCA ₄ , and TIOCB ₄ pin outputs are inverted |
| 1 | TIOCA ₃ , TIOCA ₄ , and TIOCB ₄ pin outputs are not inverted (Initial value) |

Bit 0—Output Level Select 3 (OLS3): Selects output levels in complementary PWM mode and reset-synchronized PWM mode.

Bit 0

| OLS3 | Description |
|------|---|
| 0 | TIOCB ₃ , TOCXA ₄ , and TOCXB ₄ pin outputs are inverted |
| 1 | TIOCB ₃ , TOCXA ₄ , and TOCXB ₄ pin outputs are not inverted (Initial value) |

8.2.7 Timer Counters (TCNT)

TCNT is a 16-bit counter. The ITU has five TCNTs, one for each channel.

| Channel | Abbreviation | Function |
|---------|--------------|---|
| 0 | TCNT0 | Up-counter |
| 1 | TCNT1 | |
| 2 | TCNT2 | Phase counting mode: up/down-counter Other modes: up-counter |
| 3 | TCNT3 | Complementary PWM mode: up/down-counter |
| 4 | TCNT4 | Other modes: up-counter |

| | | | | | | | | | | | | | | | | |
|---------------|--------------------------|--------------------------|--------------------------|--------------------------|--------------------------|--------------------------|--------------------------|--------------------------|--------------------------|--------------------------|--------------------------|--------------------------|--------------------------|--------------------------|--------------------------|--------------------------|
| Bit | 15 | 14 | 13 | 12 | 11 | 10 | 9 | 8 | 7 | 6 | 5 | 4 | 3 | 2 | 1 | 0 |
| | <input type="checkbox"/> | <input type="checkbox"/> | <input type="checkbox"/> | <input type="checkbox"/> | <input type="checkbox"/> | <input type="checkbox"/> | <input type="checkbox"/> | <input type="checkbox"/> | <input type="checkbox"/> | <input type="checkbox"/> | <input type="checkbox"/> | <input type="checkbox"/> | <input type="checkbox"/> | <input type="checkbox"/> | <input type="checkbox"/> | <input type="checkbox"/> |
| Initial value | 0 | 0 | 0 | 0 | 0 | 0 | 0 | 0 | 0 | 0 | 0 | 0 | 0 | 0 | 0 | 0 |
| Read/Write | R/W | R/W | R/W | R/W | R/W | R/W | R/W | R/W | R/W | R/W | R/W | R/W | R/W | R/W | R/W | R/W |

Each TCNT is a 16-bit readable/writable register that counts pulse inputs from a clock source. The clock source is selected by bits TPSC2 to TPSC0 in the timer control register (TCR).

TCNT0 and TCNT1 are up-counters. TCNT2 is an up/down-counter in phase counting mode and an up-counter in other modes. TCNT3 and TCNT4 are up/down-counters in complementary PWM mode and up-counters in other modes.

TCNT can be cleared to H'0000 by compare match with general register A or B (GRA or GRB) or by input capture to GRA or GRB (counter clearing function) in the same channel.

When TCNT overflows (changes from H'FFFF to H'0000), the overflow flag (OVF) is set to 1 in the timer status register (TSR) of the corresponding channel.

When TCNT underflows (changes from H'0000 to H'FFFF), the overflow flag (OVF) is set to 1 in TSR of the corresponding channel.

The TCNTs are linked to the CPU by an internal 16-bit bus and can be written or read by either word access or byte access.

Each TCNT is initialized to H'0000 by a reset and in standby mode.

8.2.8 General Registers (GRA, GRB)

The general registers are 16-bit registers. The ITU has 10 general registers, two in each channel.

| Channel | Abbreviation | Function |
|---------|--------------|---|
| 0 | GRA0, GRB0 | Output compare/input capture register |
| 1 | GRA1, GRB1 | |
| 2 | GRA2, GRB2 | |
| 3 | GRA3, GRB3 | Output compare/input capture register; can be by buffer registers |
| 4 | GRA4, GRB4 | BRA and BRB |

| | | | | | | | | | | | | | | | | |
|---------------|--------------------------|--------------------------|--------------------------|--------------------------|--------------------------|--------------------------|--------------------------|--------------------------|--------------------------|--------------------------|--------------------------|--------------------------|--------------------------|--------------------------|--------------------------|--------------------------|
| Bit | 15 | 14 | 13 | 12 | 11 | 10 | 9 | 8 | 7 | 6 | 5 | 4 | 3 | 2 | 1 | 0 |
| | <input type="checkbox"/> | <input type="checkbox"/> | <input type="checkbox"/> | <input type="checkbox"/> | <input type="checkbox"/> | <input type="checkbox"/> | <input type="checkbox"/> | <input type="checkbox"/> | <input type="checkbox"/> | <input type="checkbox"/> | <input type="checkbox"/> | <input type="checkbox"/> | <input type="checkbox"/> | <input type="checkbox"/> | <input type="checkbox"/> | <input type="checkbox"/> |
| Initial value | 1 | 1 | 1 | 1 | 1 | 1 | 1 | 1 | 1 | 1 | 1 | 1 | 1 | 1 | 1 | 1 |
| Read/Write | R/W | R/W | R/W | R/W | R/W | R/W | R/W | R/W | R/W | R/W | R/W | R/W | R/W | R/W | R/W | R/W |

A general register is a 16-bit readable/writable register that can function as either an output compare register or an input capture register. The function is selected by settings in the timer I/O control register (TIOR).

When a general register is used as an output compare register, its value is constantly compared with the TCNT value. When the two values match (compare match), the IMFA or IMFB flag is set to 1 in the timer status register (TSR). Compare match output can be selected in TIOR.

When a general register is used as an input capture register, rising edges, falling edges, or both edges of an external input capture signal are detected and the current TCNT value is stored in the general register. The corresponding IMFA or IMFB flag in TSR is set to 1 at the same time. The valid edge or edges of the input capture signal are selected in TIOR.

TIOR settings are ignored in PWM mode, complementary PWM mode, and reset-synchronized PWM mode.

General registers are linked to the CPU by an internal 16-bit bus and can be written or read by either word access or byte access.

General registers are initialized to the output compare function (with no output signal) by a reset and in standby mode. The initial value is H'FFFF.

8.2.9 Buffer Registers (BRA, BRB)

The buffer registers are 16-bit registers. The ITU has four buffer registers, two each in channels 3 and 4.

| Channel | Abbreviation | Function |
|---------|--------------|--|
| 3 | BRA3, BRB3 | Used for buffering |
| 4 | BRA4, BRB4 | <ul style="list-style-type: none"> When the corresponding GRA or GRB functions as an output compare register, BRA or BRB can function as an output compare buffer register: the BRA or BRB value is automatically transferred to GRA or GRB at compare match When the corresponding GRA or GRB functions as an input capture register, BRA or BRB can function as an input capture buffer register: the GRA or GRB value is automatically transferred to BRA or BRB at input capture |

| | | | | | | | | | | | | | | | | |
|---------------|-----|-----|-----|-----|-----|-----|-----|-----|-----|-----|-----|-----|-----|-----|-----|-----|
| Bit | 15 | 14 | 13 | 12 | 11 | 10 | 9 | 8 | 7 | 6 | 5 | 4 | 3 | 2 | 1 | 0 |
| Initial value | 1 | 1 | 1 | 1 | 1 | 1 | 1 | 1 | 1 | 1 | 1 | 1 | 1 | 1 | 1 | 1 |
| Read/Write | R/W | R/W | R/W | R/W | R/W | R/W | R/W | R/W | R/W | R/W | R/W | R/W | R/W | R/W | R/W | R/W |

A buffer register is a 16-bit readable/writable register that is used when buffering is selected. Buffering can be selected independently by bits BFB4, BFA4, BFB3, and BFA3 in TFCR.

The buffer register and general register operate as a pair. When the general register functions as an output compare register, the buffer register functions as an output compare buffer register. When the general register functions as an input capture register, the buffer register functions as an input capture buffer register.

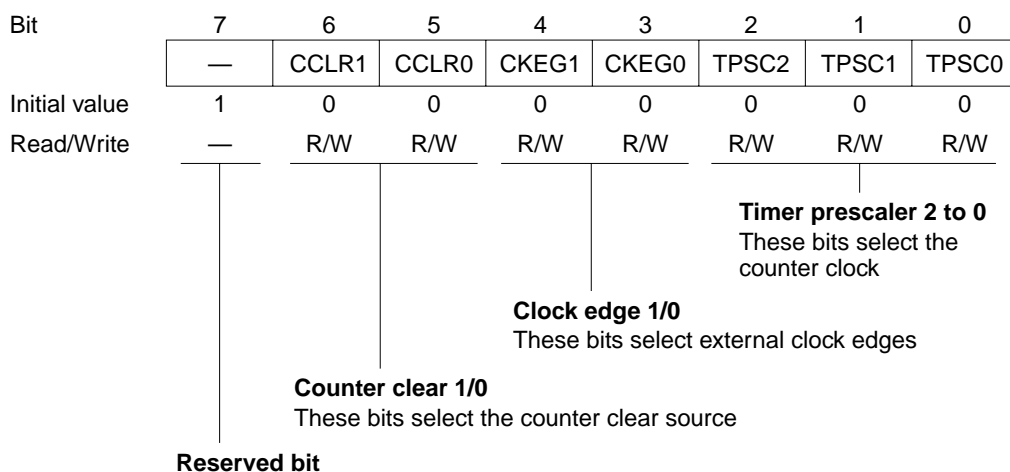
The buffer registers are linked to the CPU by an internal 16-bit bus and can be written or read by either word or byte access.

Buffer registers are initialized to H'FFFF by a reset and in standby mode.

8.2.10 Timer Control Registers (TCR)

TCR is an 8-bit register. The ITU has five TCRs, one in each channel.

| Channel | Abbreviation | Function |
|---------|--------------|--|
| 0 | TCR0 | TCR controls the timer counter. The TCRs in all channels are functionally identical. When phase counting mode is selected in channel 2, the settings of bits CKEG1 and CKEG0 and TPSC2 to TPSC0 in TCR2 are ignored. |
| 1 | TCR1 | |
| 2 | TCR2 | |
| 3 | TCR3 | |
| 4 | TCR4 | |



Each TCR is an 8-bit readable/writable register that selects the timer counter clock source, selects the edge or edges of external clock sources, and selects how the counter is cleared.

TCR is initialized to H'80 by a reset and in standby mode.

Bit 7—Reserved: This bit cannot be modified and is always read as 1.

Bits 6 and 5—Counter Clear 1/0 (CCLR1, CCLR0): These bits select how TCNT is cleared.

| Bit 6 CCLR1 | Bit 5 CCLR0 | Description |
|----------------|----------------|--|
| 0 | 0 | TCNT is not cleared (Initial value) |
| | 1 | TCNT is cleared by GRA compare match or input capture* ¹ |
| 1 | 0 | TCNT is cleared by GRB compare match or input capture* ¹ |
| | 1 | Synchronous clear: TCNT is cleared in synchronization with other synchronized timers* ² |

Notes: 1. TCNT is cleared by compare match when the general register functions as an output compare match register, and by input capture when the general register functions as an input capture register.

2. Selected in the timer synchro register (TSNC).

Bits 4 and 3—Clock Edge 1/0 (CKEG1, CKEG0): These bits select external clock input edges when an external clock source is used.

| Bit 4 CKEG1 | Bit 3 CKEG0 | Description |
|----------------|----------------|------------------------------------|
| 0 | 0 | Count rising edges (Initial value) |
| | 1 | Count falling edges |
| 1 | — | Count both edges |

When channel 2 is set to phase counting mode, bits CKEG1 and CKEG0 in TCR2 are ignored. Phase counting takes precedence.

Bits 2 to 0—Timer Prescaler 2 to 0 (TPSC2 to TPSC0): These bits select the counter clock source.

| Bit 2 TPSC2 | Bit 1 TPSC1 | Bit 0 TPSC0 | Function |
|----------------|----------------|----------------|--|
| 0 | 0 | 0 | Internal clock: ϕ (Initial value) |
| | | 1 | Internal clock: $\phi/2$ |
| | 1 | 0 | Internal clock: $\phi/4$ |
| | | 1 | Internal clock: $\phi/8$ |
| 1 | 0 | 0 | External clock A: TCLKA input |
| | | 1 | External clock B: TCLKB input |
| | 1 | 0 | External clock C: TCLKC input |
| | | 1 | External clock D: TCLKD input |

When bit TPSC2 is cleared to 0 an internal clock source is selected, and the timer counts only falling edges. When bit TPSC2 is set to 1 an external clock source is selected, and the timer counts the edge or edges selected by bits CKEG1 and CKEG0.

When channel 2 is set to phase counting mode (MDF = 1 in TMDR), the settings of bits TPSC2 to TPSC0 in TCR2 are ignored. Phase counting takes precedence.

8.2.11 Timer I/O Control Register (TIOR)

TIOR is an 8-bit register. The ITU has five TIORs, one in each channel.

| Channel | Abbreviation | Function |
|---------|--------------|--|
| 0 | TIOR0 | TIOR controls the general registers. Some functions differ in PWM mode. TIOR3 and TIOR4 settings are ignored when complementary PWM mode or reset-synchronized PWM mode is selected in channels 3 and 4. |
| 1 | TIOR1 | |
| 2 | TIOR2 | |
| 3 | TIOR3 | |
| 4 | TIOR4 | |

| Bit | 7 | 6 | 5 | 4 | 3 | 2 | 1 | 0 |
|---------------|---|------|------|------|---|------|------|------|
| | — | IOB2 | IOB1 | IOB0 | — | IOA2 | IOA1 | IOA0 |
| Initial value | 1 | 0 | 0 | 0 | 1 | 0 | 0 | 0 |
| Read/Write | — | R/W | R/W | R/W | — | R/W | R/W | R/W |

I/O control B2 to B0
 These bits select GRB functions

Reserved bit

I/O control A2 to A0
 These bits select GRA functions

Each TIOR is an 8-bit readable/writable register that selects the output compare or input capture function for GRA and GRB, and specifies the functions of the TIOCA and TIOCB pins. If the output compare function is selected, TIOR also selects the type of output. If input capture is selected, TIOR also selects the edge or edges of the input capture signal.

TIOR is initialized to H'88 by a reset and in standby mode.

Bit 7—Reserved: This bit cannot be modified and is always read as 1.

Bits 6 to 4—I/O Control B2 to B0 (IOB2 to IOB0): These bits select the GRB function.

| Bit 6 IOB2 | Bit 5 IOB1 | Bit 4 IOB0 | Function | |
|---------------|---------------|---------------|---|---|
| 0 | 0 | 0 | GRB is an output compare register | No output at compare match (Initial value) |
| | | 1 | | 0 output at GRB compare match* ¹ |
| | 1 | 0 | 1 output at GRB compare match* ¹ | |
| | | 1 | Output toggles at GRB compare match (1 output in channel 2)* ¹ * ² | |
| 1 | 0 | 0 | GRB is an input capture register | GRB captures rising edge of input |
| | | 1 | | GRB captures falling edge of input |
| | 1 | 0 | GRB captures both edges of input | |
| | | 1 | | |

Notes: 1. After a reset, the output is 0 until the first compare match.

2. Channel 2 output cannot be toggled by compare match. This setting selects 1 output instead.

Bit 3—Reserved: This bit cannot be modified and is always read as 1.

Bits 2 to 0—I/O Control A2 to A0 (IOA2 to IOA0): These bits select the GRA function.

| Bit 2 IOA2 | Bit 1 IOA1 | Bit 0 IOA0 | Function | |
|---------------|---------------|---------------|---|---|
| 0 | 0 | 0 | GRA is an output compare register | No output at compare match (Initial value) |
| | | 1 | | 0 output at GRA compare match* ¹ |
| | 1 | 0 | 1 output at GRA compare match* ¹ | |
| | | 1 | Output toggles at GRA compare match (1 output in channel 2)* ¹ * ² | |
| 1 | 0 | 0 | GRA is an input capture register | GRA captures rising edge of input |
| | | 1 | | GRA captures falling edge of input |
| | 1 | 0 | GRA captures both edges of input | |
| | | 1 | | |

Notes: 1. After a reset, the output is 0 until the first compare match.

2. Channel 2 output cannot be toggled by compare match. This setting selects 1 output instead.

8.2.12 Timer Status Register (TSR)

TSR is an 8-bit register. The ITU has five TSRs, one in each channel.

| Channel | Abbreviation | Function |
|---------|--------------|---|
| 0 | TSR0 | Indicates input capture, compare match, and overflow status |
| 1 | TSR1 | |
| 2 | TSR2 | |
| 3 | TSR3 | |
| 4 | TSR4 | |

| Bit | 7 | 6 | 5 | 4 | 3 | 2 | 1 | 0 |
|---------------|---|---|---|---|---|--------|--------|--------|
| | — | — | — | — | — | OVF | IMFB | IMFA |
| Initial value | 1 | 1 | 1 | 1 | 1 | 0 | 0 | 0 |
| Read/Write | — | — | — | — | — | R/(W)* | R/(W)* | R/(W)* |

Reserved bits

Overflow flag
Status flag indicating overflow or underflow

Input capture/compare match flag B
Status flag indicating GRB compare match or input capture

Input capture/compare match flag A
Status flag indicating GRA compare match or input capture

Note: * Only 0 can be written to clear the flag.

Each TSR is an 8-bit readable/writable register containing flags that indicate TCNT overflow or underflow and GRA or GRB compare match or input capture. These flags are interrupt sources and generate CPU interrupts if enabled by corresponding bits in the timer interrupt enable register (TIER).

TSR is initialized to H'F8 by a reset and in standby mode.

Bits 7 to 3—Reserved: These bits cannot be modified and are always read as 1.

Bit 2—Overflow Flag (OVF): This status flag indicates TCNT overflow or underflow.

| Bit 2 OVF | Description |
|--------------|---|
| 0 | [Clearing condition] (Initial value) Read OVF when OVF = 1, then write 0 in OVF |
| 1 | [Setting condition] TCNT overflowed from H'FFFF to H'0000, or underflowed from H'0000 to H'FFFF* |

Notes: * TCNT underflow occurs when TCNT operates as an up/down-counter. Underflow occurs only under the following conditions:

1. Channel 2 operates in phase counting mode (MDF = 1 in TMDR)
2. Channels 3 and 4 operate in complementary PWM mode (CMD1 = 1 and CMD0 = 0 in TFCR)

Bit 1—Input Capture/Compare Match Flag B (IMFB): This status flag indicates GRB compare match or input capture events.

| Bit 1 IMFB | Description |
|---------------|--|
| 0 | [Clearing condition] (Initial value) Read IMFB when IMFB = 1, then write 0 in IMFB |
| 1 | [Setting conditions] <ul style="list-style-type: none"> • TCNT = GRB when GRB functions as a compare match register. • TCNT value is transferred to GRB by an input capture signal, when GRB functions as an input capture register. |

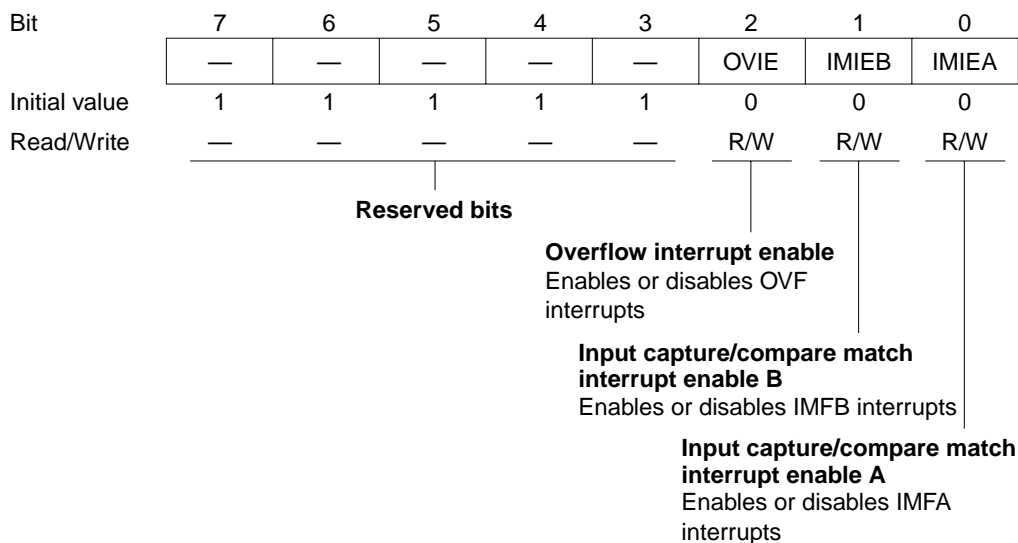
Bit 0—Input Capture/Compare Match Flag A (IMFA): This status flag indicates GRA compare match or input capture events.

| Bit 0 IMFA | Description |
|---------------|--|
| 0 | [Clearing condition] (Initial value) Read IMFA when IMFA = 1, then write 0 in IMFA. |
| 1 | [Setting conditions] <ul style="list-style-type: none"> • TCNT = GRA when GRA functions as a compare match register. • TCNT value is transferred to GRA by an input capture signal, when GRA functions as an input capture register. |

8.2.13 Timer Interrupt Enable Register (TIER)

TIER is an 8-bit register. The ITU has five TIERS, one in each channel.

| Channel | Abbreviation | Function |
|---------|--------------|---|
| 0 | TIER0 | Enables or disables interrupt requests. |
| 1 | TIER1 | |
| 2 | TIER2 | |
| 3 | TIER3 | |
| 4 | TIER4 | |



Each TIER is an 8-bit readable/writable register that enables and disables overflow interrupt requests and general register compare match and input capture interrupt requests.

TIER is initialized to H'F8 by a reset and in standby mode.

Bits 7 to 3—Reserved: These bits cannot be modified and are always read as 1.

Bit 2—Overflow Interrupt Enable (OVIE): Enables or disables the interrupt requested by the overflow flag (OVF) in TSR when OVF is set to 1.

| Bit 2 OVIE | Description | |
|---------------|--|-----------------|
| 0 | OVI interrupt requested by OVF is disabled | (Initial value) |
| 1 | OVI interrupt requested by OVF is enabled | |

Bit 1—Input Capture/Compare Match Interrupt Enable B (IMIEB): Enables or disables the interrupt requested by the IMFB flag in TSR when IMFB is set to 1.

| Bit 1 IMIEB | Description | |
|----------------|--|-----------------|
| 0 | IMIB interrupt requested by IMFB is disabled | (Initial value) |
| 1 | IMIB interrupt requested by IMFB is enabled | |

Bit 0—Input Capture/Compare Match Interrupt Enable A (IMIEA): Enables or disables the interrupt requested by the IMFA flag in TSR when IMFA is set to 1.

| Bit 0 IMIEA | Description | |
|----------------|--|-----------------|
| 0 | IMIA interrupt requested by IMFA is disabled | (Initial value) |
| 1 | IMIA interrupt requested by IMFA is enabled | |

8.3 CPU Interface

8.3.1 16-Bit Accessible Registers

The timer counters (TCNTs), general registers A and B (GRAs and GRBs), and buffer registers A and B (BRAs and BRBs) are 16-bit registers, and are linked to the CPU by an internal 16-bit data bus. These registers can be written or read a word at a time, or a byte at a time.

Figures 8.6 and 8.7 show examples of word access to a timer counter (TCNT). Figures 8.8, 8.9, 8.10, and 8.11 show examples of byte access to TCNTH and TCNTL.

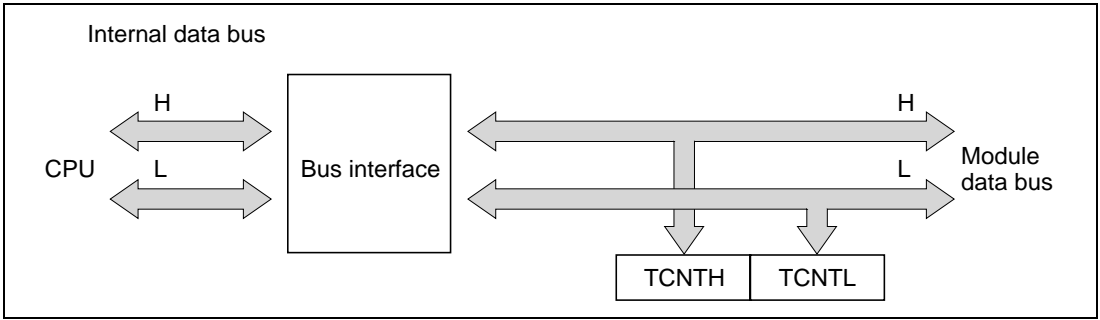


Figure 8.6 Access to Timer Counter (CPU Writes to TCNT, Word)

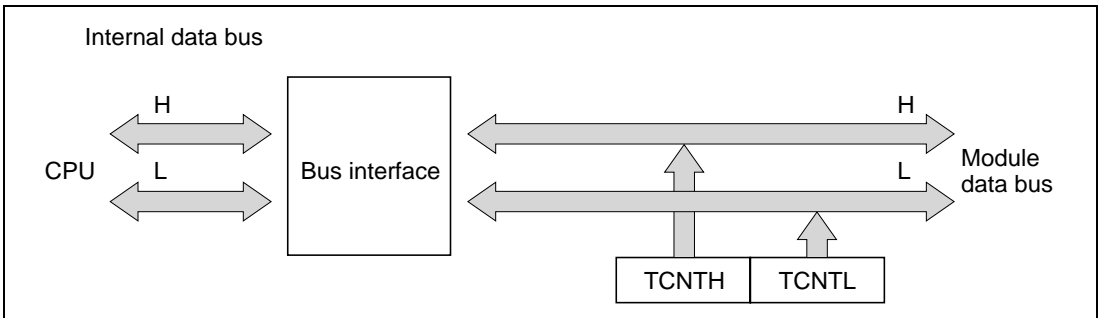


Figure 8.7 Access to Timer Counter (CPU Reads TCNT, Word)

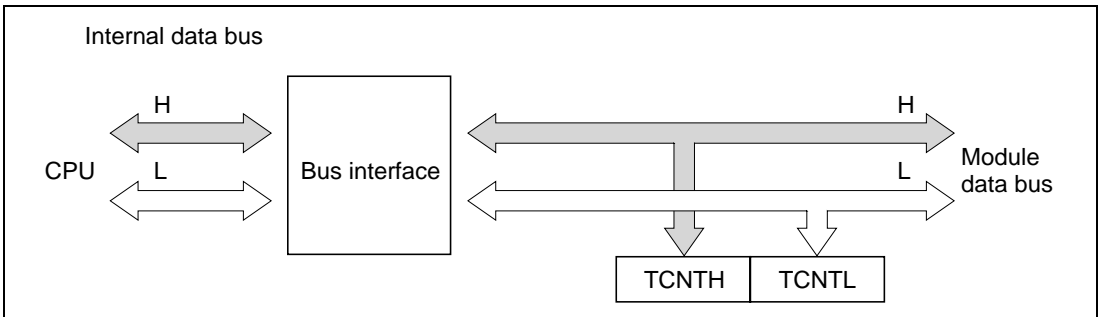


Figure 8.8 Access to Timer Counter (CPU Writes to TCNT, Upper Byte)

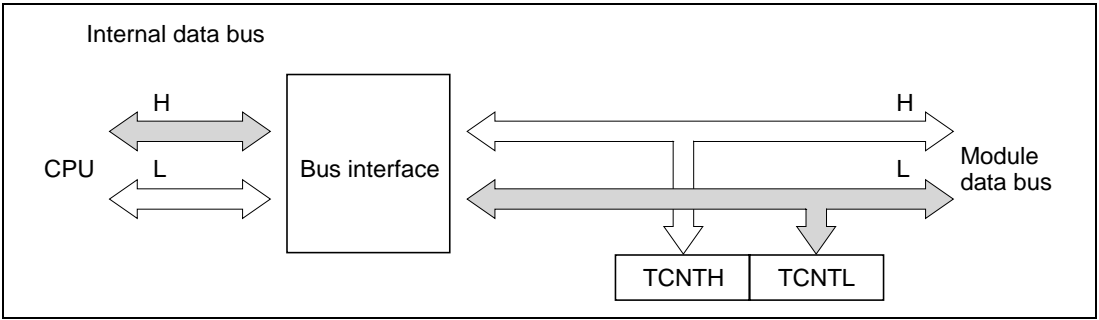


Figure 8.9 Access to Timer Counter (CPU Writes to TCNT, Lower Byte)

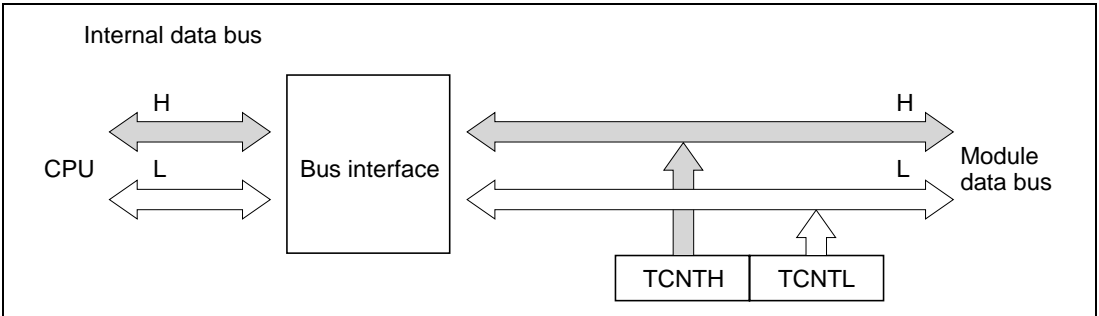


Figure 8.10 Access to Timer Counter (CPU Reads TCNT, Upper Byte)

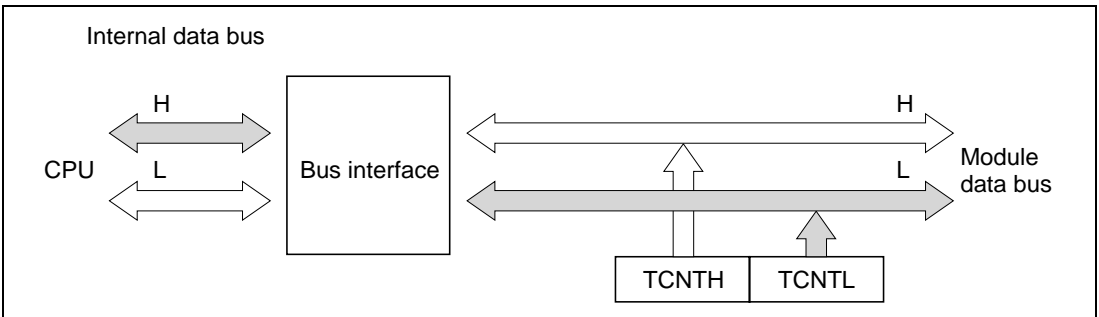


Figure 8.11 Access to Timer Counter (CPU Reads TCNT, Lower Byte)

8.3.2 8-Bit Accessible Registers

The registers other than the timer counters, general registers, and buffer registers are 8-bit registers. These registers are linked to the CPU by an internal 8-bit data bus.

Figures 8.12 and 8.13 show examples of byte read and write access to a TCR.

If a word-size data transfer instruction is executed, two byte transfers are performed.

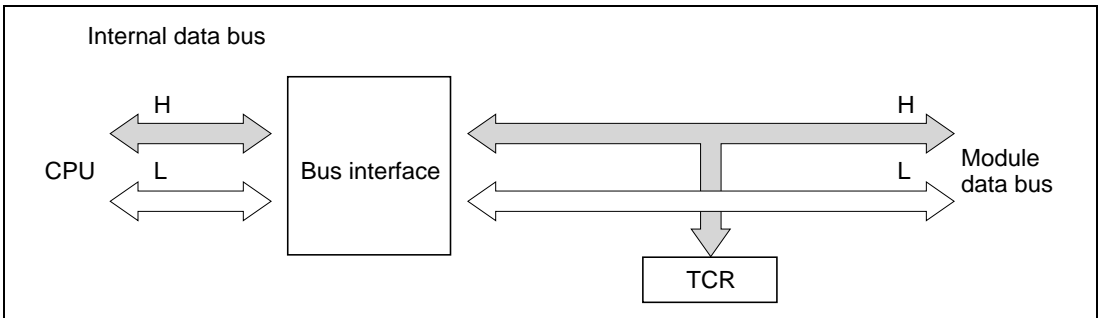


Figure 8.12 TCR Access (CPU Writes to TCR)

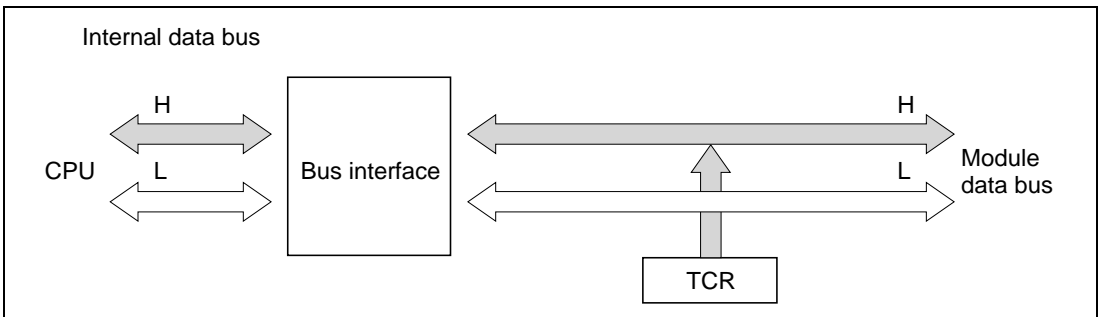


Figure 8.13 TCR Access (CPU Reads TCR)

8.4 Operation

8.4.1 Overview

A summary of operations in the various modes is given below.

Normal Operation: Each channel has a timer counter and general registers. The timer counter counts up, and can operate as a free-running counter, periodic counter, or external event counter. General registers A and B can be used for input capture or output compare.

Synchronous Operation: The timer counters in designated channels are preset synchronously. Data written to the timer counter in any one of these channels is simultaneously written to the timer counters in the other channels as well. The timer counters can also be cleared synchronously if so designated by the CCLR1 and CCLR0 bits in the TCRs.

PWM Mode: A PWM waveform is output from the TIOCA pin. The output goes to 1 at compare match A and to 0 at compare match B. The duty cycle can be varied from 0% to 100% depending on the settings of GRA and GRB. When a channel is set to PWM mode, its GRA and GRB automatically become output compare registers.

Reset-Synchronized PWM Mode: Channels 3 and 4 are paired for three-phase PWM output with complementary waveforms. (The three phases are related by having a common transition point.) When reset-synchronized PWM mode is selected GRA3, GRB3, GRA4, and GRB4 automatically function as output compare registers, TIOCA₃, TIOCB₃, TIOCA₄, TOCXA₄, TIOCB₄, and TOCXB₄ function as PWM output pins, and TCNT₃ operates as an up-counter. TCNT4 operates independently, and is not compared with GRA4 or GRB4.

Complementary PWM Mode: Channels 3 and 4 are paired for three-phase PWM output with non-overlapping complementary waveforms. When complementary PWM mode is selected GRA3, GRB3, GRA4, and GRB4 automatically function as output compare registers, and TIOCA₃, TIOCB₃, TIOCA₄, TOCXA₄, TIOCB₄, and TOCXB₄ function as PWM output pins. TCNT3 and TCNT4 operate as up/down-counters.

Phase Counting Mode: The phase relationship between two clock signals input at TCLKA and TCLKB is detected and TCNT2 counts up or down accordingly. When phase counting mode is selected TCLKA and TCLKB become clock input pins and TCNT2 operates as an up/down-counter.

Buffering:

- If the general register is an output compare register
When compare match occurs the buffer register value is transferred to the general register.
- If the general register is an input capture register
When input capture occurs the TCNT value is transferred to the general register, and the previous general register value is transferred to the buffer register.
- Complementary PWM mode
The buffer register value is transferred to the general register when TCNT3 and TCNT4 change counting direction.
- Reset-synchronized PWM mode
The buffer register value is transferred to the general register at GRA3 compare match.

8.4.2 Basic Functions

Counter Operation

When one of bits STR0 to STR4 is set to 1 in the timer start register (TSTR), the timer counter (TCNT) in the corresponding channel starts counting. The counting can be free-running or periodic.

Sample setup procedure for counter: Figure 8.14 shows a sample procedure for setting up a counter.

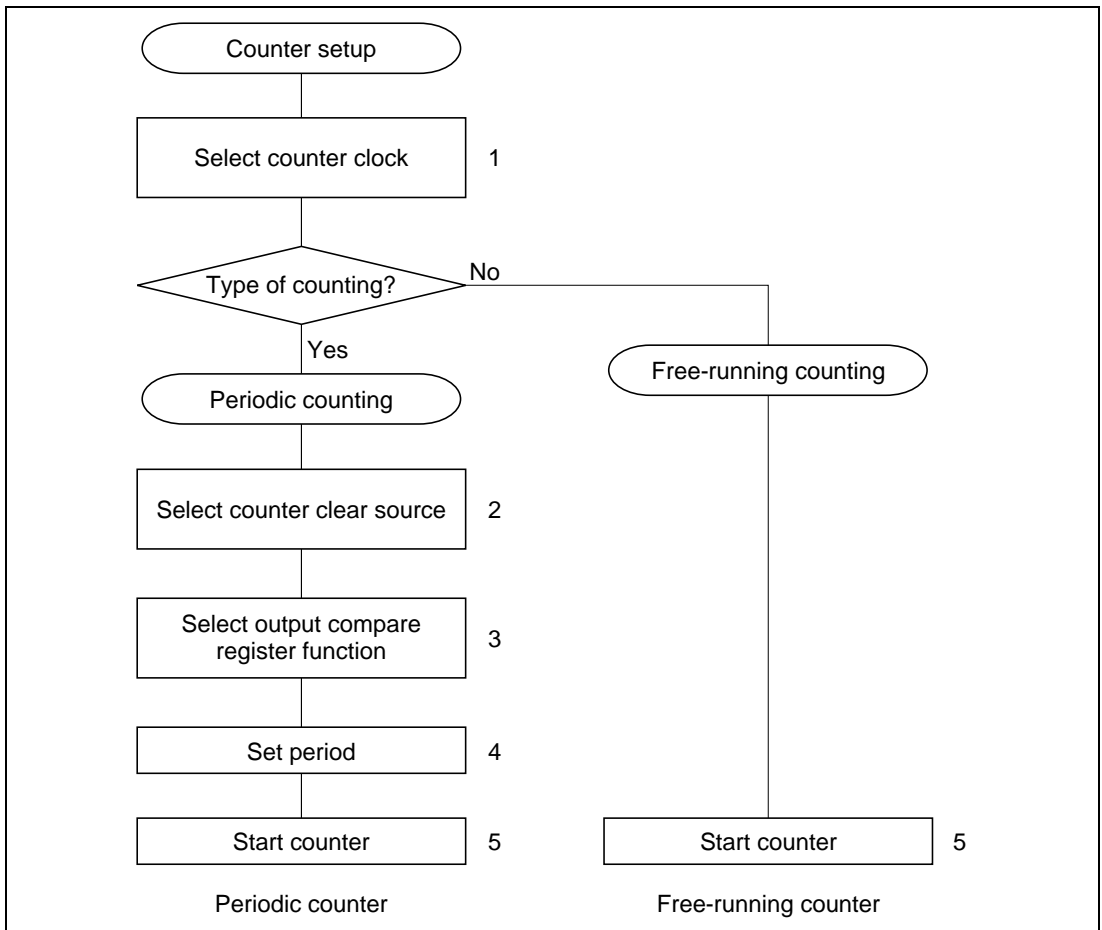


Figure 8.14 Counter Setup Procedure (Example)

1. Set bits TPSC2 to TPSC0 in TCR to select the counter clock source. If an external clock source is selected, set bits CKEG1 and CKEG0 in TCR to select the desired edge(s) of the external clock signal.
2. For periodic counting, set CCLR1 and CCLR0 in TCR to have TCNT cleared at GRA compare match or GRB compare match.
3. Set TIOR to select the output compare function of GRA or GRB, whichever was selected in step 2.
4. Write the count period in GRA or GRB, whichever was selected in step 2.
5. Set the STR bit to 1 in TSTR to start the timer counter.

Free-running and periodic counter operation: A reset leaves the counters (TCNTs) in ITU channels 0 to 4 all set as free-running counters. A free-running counter starts counting up when the corresponding bit in TSTR is set to 1. When the count overflows from H'FFFF to H'0000, the overflow flag (OVF) is set to 1 in the timer status register (TSR). If the corresponding OVIE bit is set to 1 in the timer interrupt enable register, a CPU interrupt is requested. After the overflow, the counter continues counting up from H'0000. Figure 8.15 illustrates free-running counting.

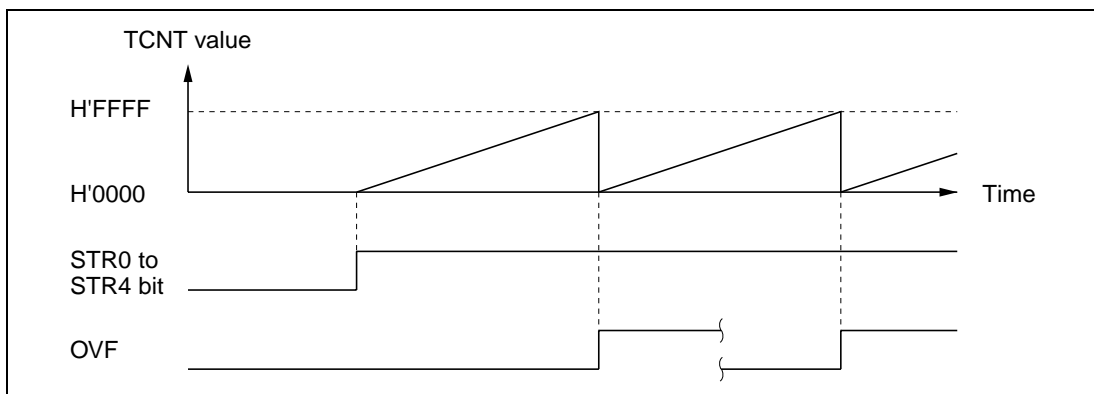


Figure 8.15 Free-Running Counter Operation

When a channel is set to have its counter cleared by compare match, in that channel TCNT operates as a periodic counter. Select the output compare function of GRA or GRB, set bit CCLR1 or CCLR0 in the timer control register (TCR) to have the counter cleared by compare match, and set the count period in GRA or GRB. After these settings, the counter starts counting up as a periodic counter when the corresponding bit is set to 1 in TSTR. When the count matches GRA or GRB, the IMFA or IMFB flag is set to 1 in TSR and the counter is cleared to H'0000. If the corresponding IMIEA or IMIEB bit is set to 1 in TIER, a CPU interrupt is requested at this time. After the compare match, TCNT continues counting up from H'0000. Figure 8.16 illustrates periodic counting.

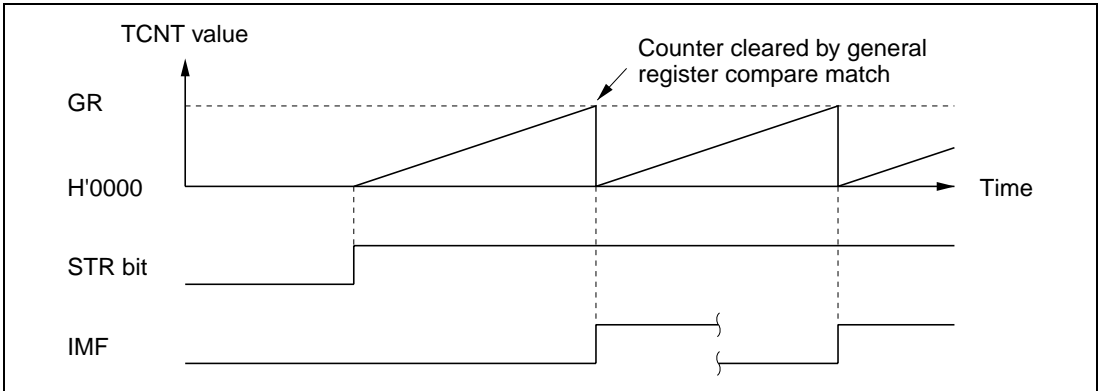


Figure 8.16 Periodic Counter Operation

Count timing:

- Internal clock source

Bits TPSC2 to TPSC0 in TCR select the system clock (ϕ) or one of three internal clock sources obtained by prescaling the system clock ($\phi/2$, $\phi/4$, $\phi/8$).

Figure 8.17 shows the timing.

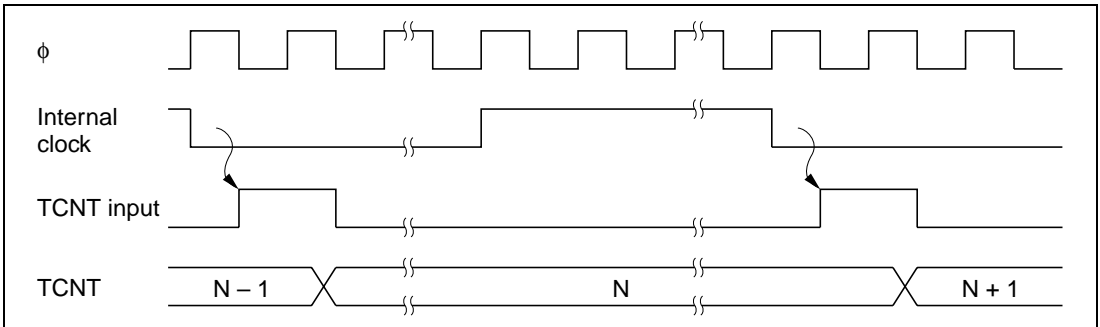


Figure 8.17 Count Timing for Internal Clock Sources

- External clock source

Bits TPSC2 to TPSC0 in TCR select an external clock input pin (TCLKA to TCLKD), and its valid edge or edges are selected by bits CKEG1 and CKEG0. The rising edge, falling edge, or both edges can be selected.

The pulse width of the external clock signal must be at least 1.5 system clocks when a single edge is selected, and at least 2.5 system clocks when both edges are selected. Shorter pulses will not be counted correctly.

Figure 8.18 shows the timing when both edges are detected.

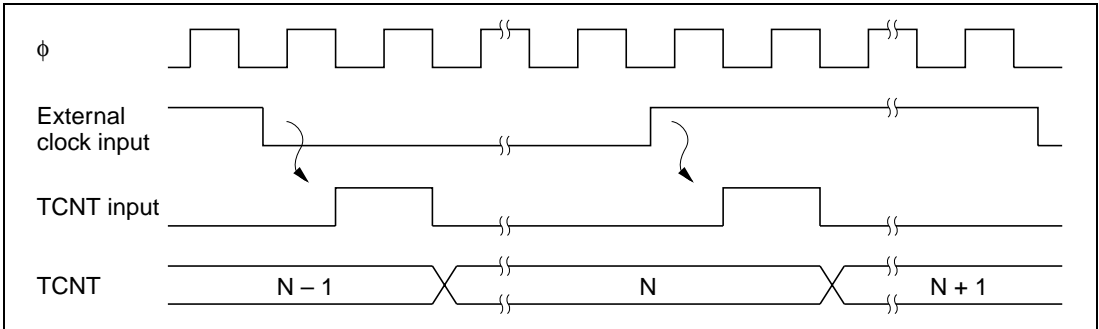


Figure 8.18 Count Timing for External Clock Sources (when Both Edges are Detected)

Waveform Output by Compare Match

In ITU channels 0, 1, 3, and 4, compare match A or B can cause the output at the TIOCA or TIOCB pin to go to 0, go to 1, or toggle. In channel 2 the output can only go to 0 or go to 1.

Sample setup procedure for waveform output by compare match: Figure 8.19 shows a sample procedure for setting up waveform output by compare match.

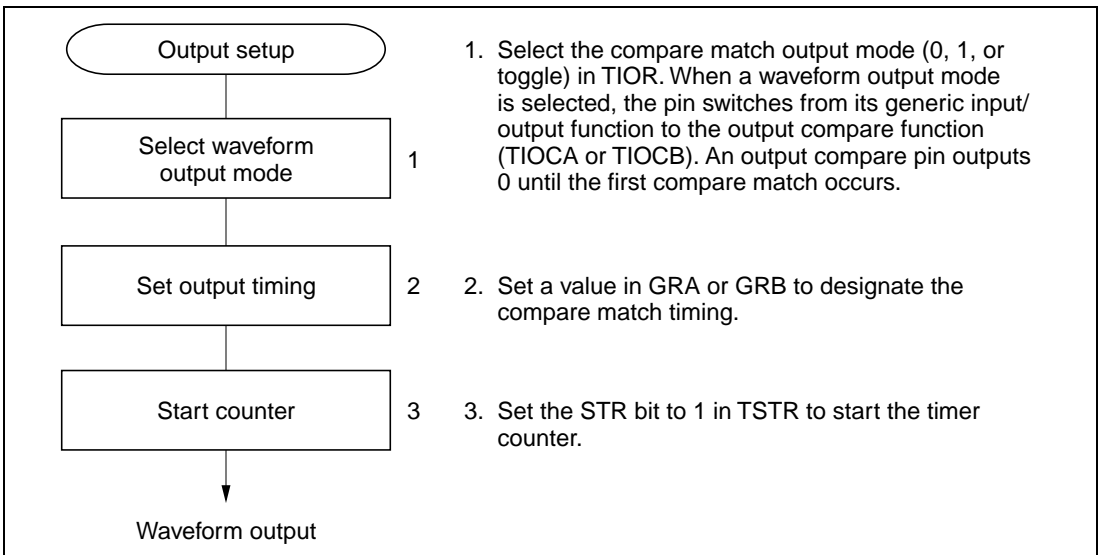


Figure 8.19 Setup Procedure for Waveform Output by Compare Match (Example)

Examples of waveform output: Figure 8.20 shows examples of 0 and 1 output. TCNT operates as a free-running counter, 0 output is selected for compare match A, and 1 output is selected for compare match B. When the pin is already at the selected output level, the pin level does not change.

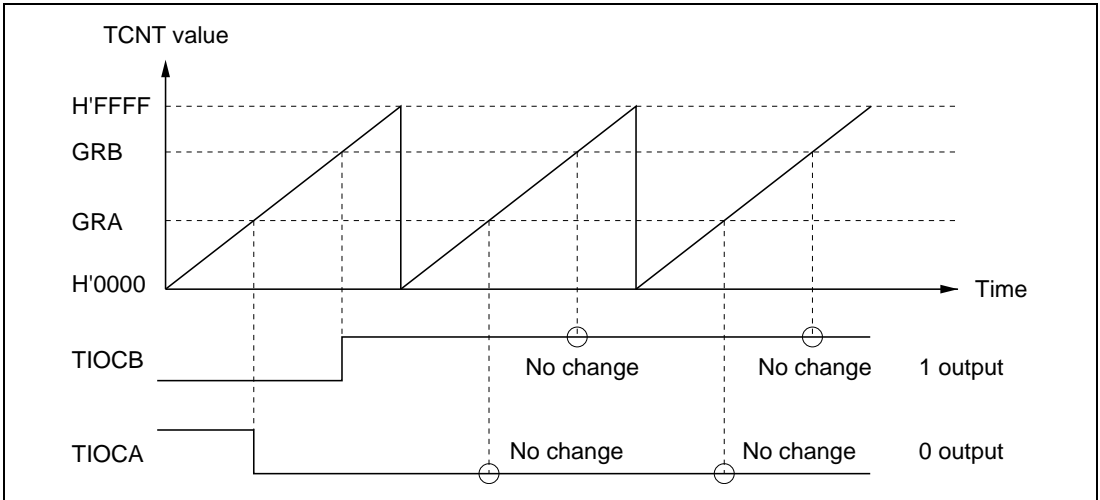


Figure 8.20 0 and 1 Output (Examples)

Figure 8.21 shows examples of toggle output. TCNT operates as a periodic counter, cleared by compare match B. Toggle output is selected for both compare match A and B.

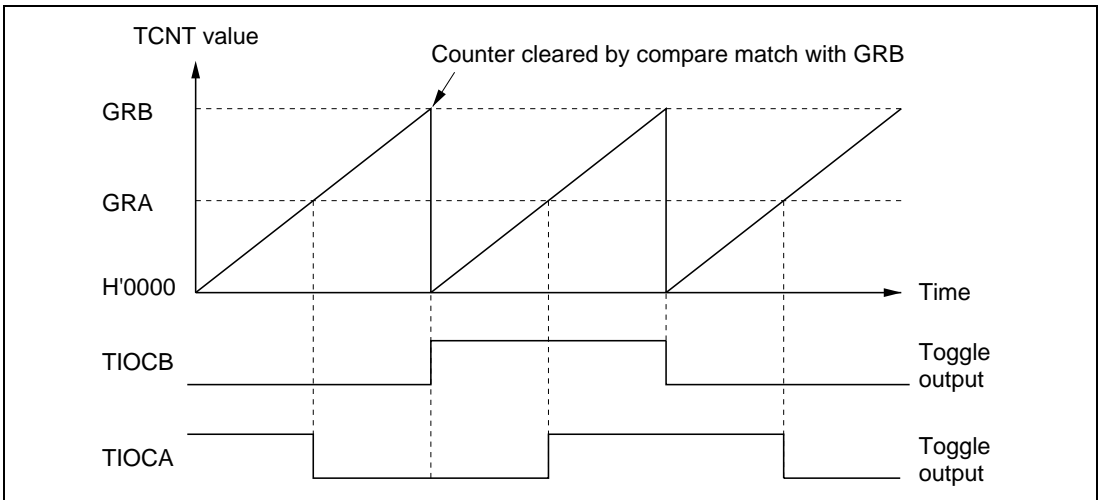


Figure 8.21 Toggle Output (Example)

Output compare timing: The compare match signal is generated in the last state in which TCNT and the general register match (when TCNT changes from the matching value to the next value). When the compare match signal is generated, the output value selected in TIOR is output at the output compare pin (TIOCA or TIOCB). When TCNT matches a general register, the compare match signal is not generated until the next counter clock pulse.

Figure 8.22 shows the output compare timing.

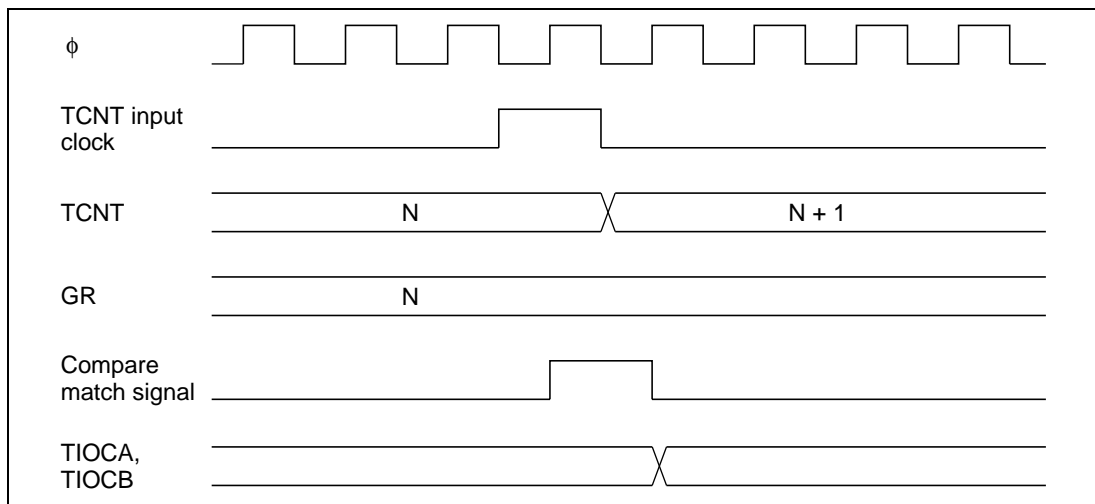


Figure 8.22 Output Compare Timing

Input Capture Function

The TCNT value can be captured into a general register when a transition occurs at an input capture/output compare pin (TIOCA or TIOCB). Capture can take place on the rising edge, falling edge, or both edges. The input capture function can be used to measure pulse width or period.

Sample setup procedure for input capture: Figure 8.23 shows a sample procedure for setting up input capture.

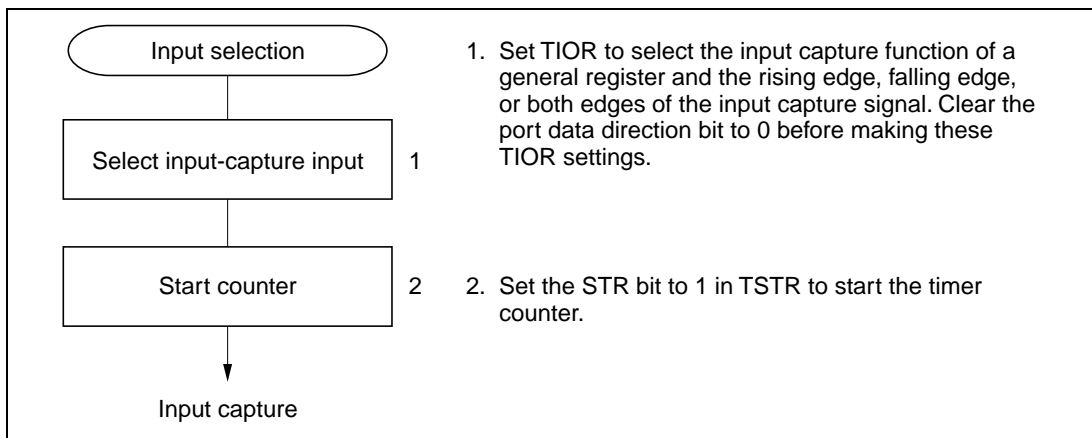


Figure 8.23 Setup Procedure for Input Capture (Example)

Examples of input capture: Figure 8.24 illustrates input capture when the falling edge of TIOCB and both edges of TIOCA are selected as capture edges. TCNT is cleared by input capture into GRB.

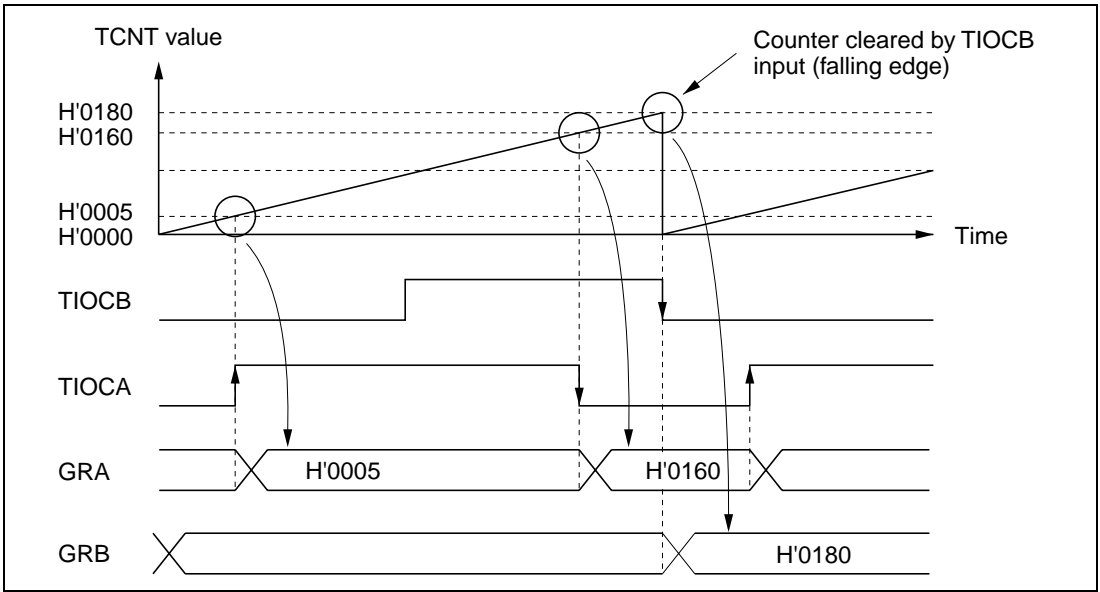


Figure 8.24 Input Capture (Example)

Input capture signal timing: Input capture on the rising edge, falling edge, or both edges can be selected by settings in TIOR. Figure 8.25 shows the timing when the rising edge is selected. The pulse width of the input capture signal must be at least 1.5 system clocks for single-edge capture, and 2.5 system clocks for capture of both edges.

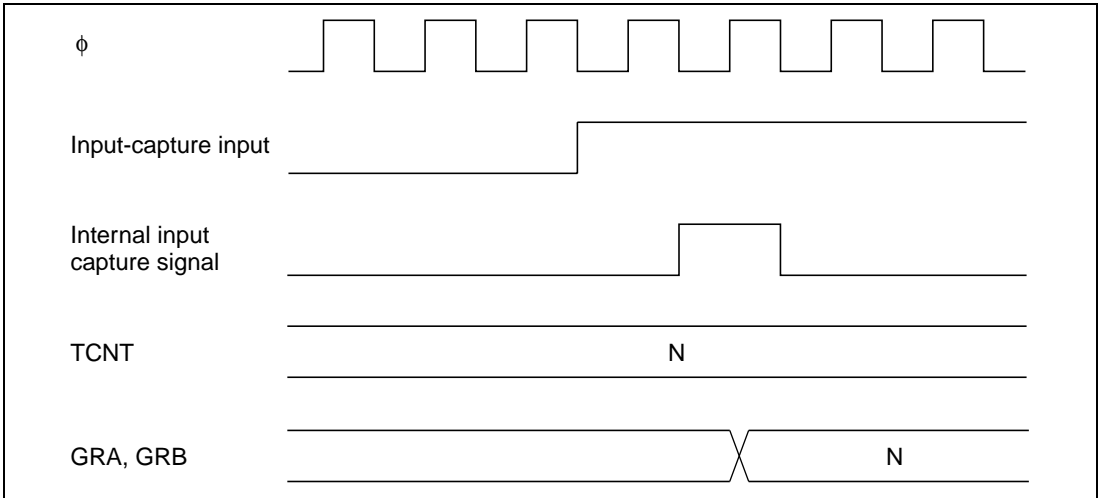


Figure 8.25 Input Capture Signal Timing

8.4.3 Synchronization

The synchronization function enables two or more timer counters to be synchronized by writing the same data to them simultaneously (synchronous preset). With appropriate TCR settings, two or more timer counters can also be cleared simultaneously (synchronous clear). Synchronization enables additional general registers to be associated with a single time base. Synchronization can be selected for all channels (0 to 4).

Sample Setup Procedure for Synchronization

Figure 8.26 shows a sample procedure for setting up synchronization.

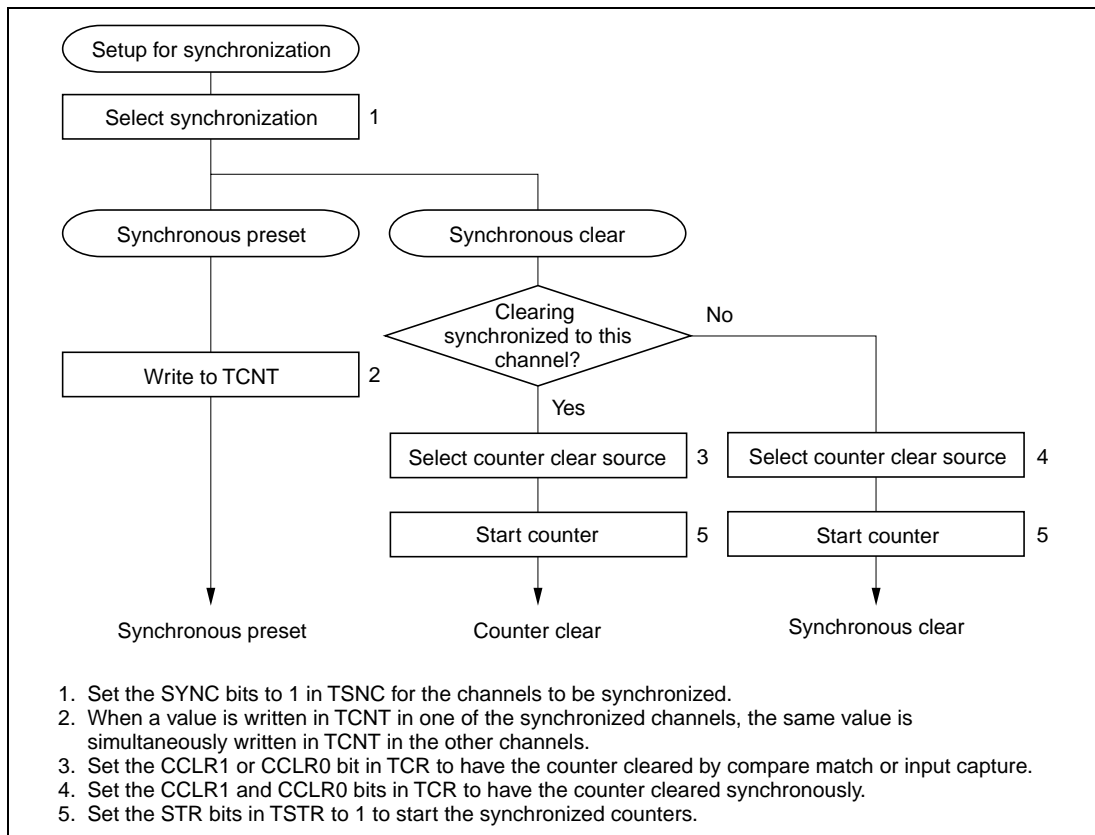


Figure 8.26 Setup Procedure for Synchronization (Example)

Example of Synchronization

Figure 8.27 shows an example of synchronization. Channels 0, 1, and 2 are synchronized, and are set to operate in PWM mode. Channel 0 is set for counter clearing by compare match with GRB0. Channels 1 and 2 are set for synchronous counter clearing. The timer counters in channels 0, 1, and 2 are synchronously preset, and are synchronously cleared by compare match with GRB0. A three-phase PWM waveform is output from pins TIOCA₀, TIOCA₁, and TIOCA₂. For further information on PWM mode, see section 8.4.4, PWM Mode.

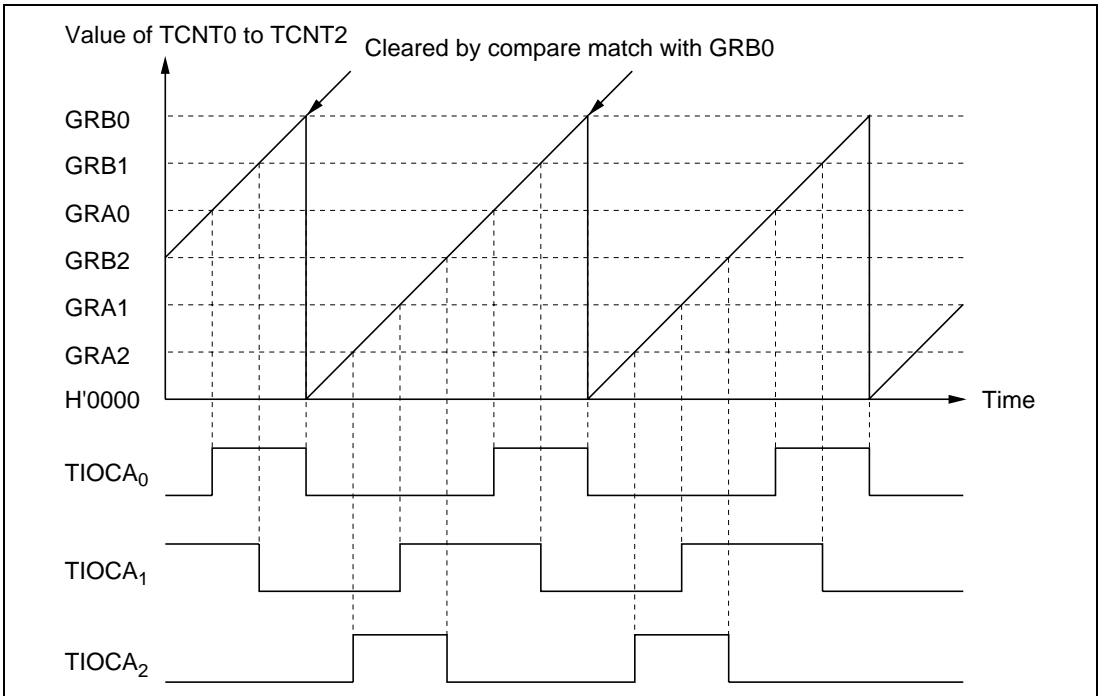


Figure 8.27 Synchronization (Example)

8.4.4 PWM Mode

In PWM mode GRA and GRB are paired and a PWM waveform is output from the TIOCA pin. GRA specifies the time at which the PWM output changes to 1. GRB specifies the time at which the PWM output changes to 0. If either GRA or GRB is selected as the counter clear source, a PWM waveform with a duty cycle from 0% to 100% is output at the TIOCA pin. PWM mode can be selected in all channels (0 to 4).

Table 8.4 summarizes the PWM output pins and corresponding registers. If the same value is set in GRA and GRB, the output does not change when compare match occurs.

Table 8.4 PWM Output Pins and Registers

| Channel | Output Pin | 1 Output | 0 Output |
|---------|--------------------|----------|----------|
| 0 | TIOCA ₀ | GRA0 | GRB0 |
| 1 | TIOCA ₁ | GRA1 | GRB1 |
| 2 | TIOCA ₂ | GRA2 | GRB2 |
| 3 | TIOCA ₃ | GRA3 | GRB3 |
| 4 | TIOCA ₄ | GRA4 | GRB4 |

Sample Setup Procedure for PWM Mode

Figure 8.28 shows a sample procedure for setting up PWM mode.

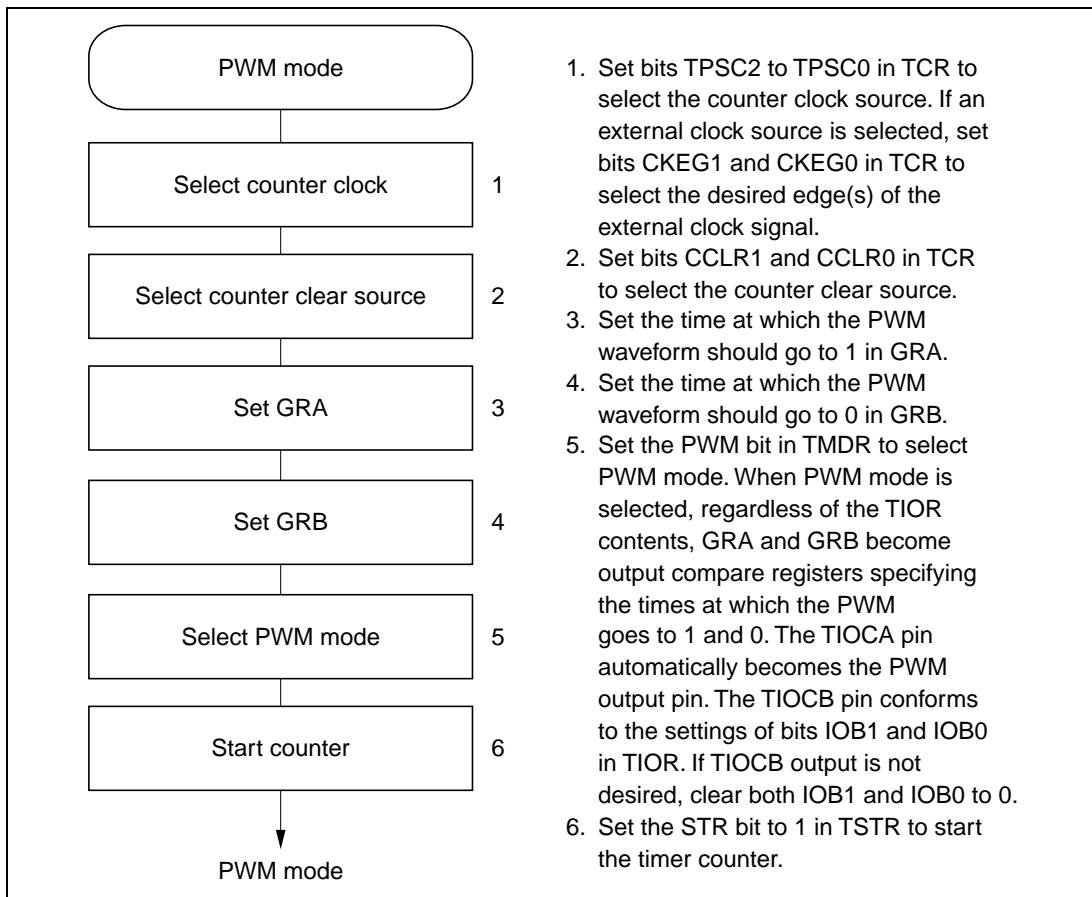


Figure 8.28 Setup Procedure for PWM Mode (Example)

Examples of PWM Mode

Figure 8.29 shows examples of operation in PWM mode. The PWM waveform is output from the TIOCA pin. The output goes to 1 at compare match with GRA, and to 0 at compare match with GRB.

In the examples shown, TCNT is cleared by compare match with GRA or GRB. Synchronized operation and free-running counting are also possible.

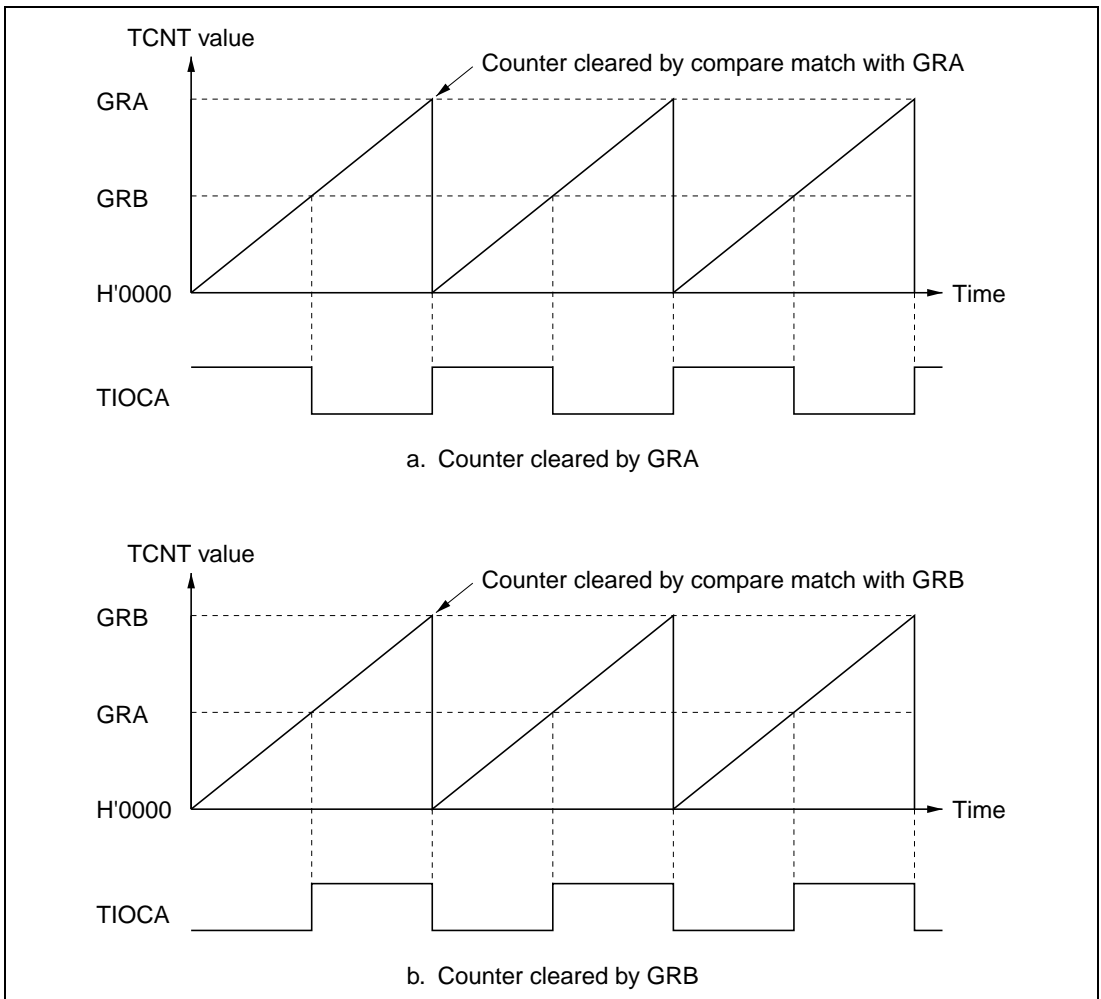


Figure 8.29 PWM Mode (Example 1)

Figure 8.30 shows examples of the output of PWM waveforms with duty cycles of 0% and 100%. If the counter is cleared by compare match with GRB, and GRA is set to a higher value than GRB, the duty cycle is 0%. If the counter is cleared by compare match with GRA, and GRB is set to a higher value than GRA, the duty cycle is 100%.

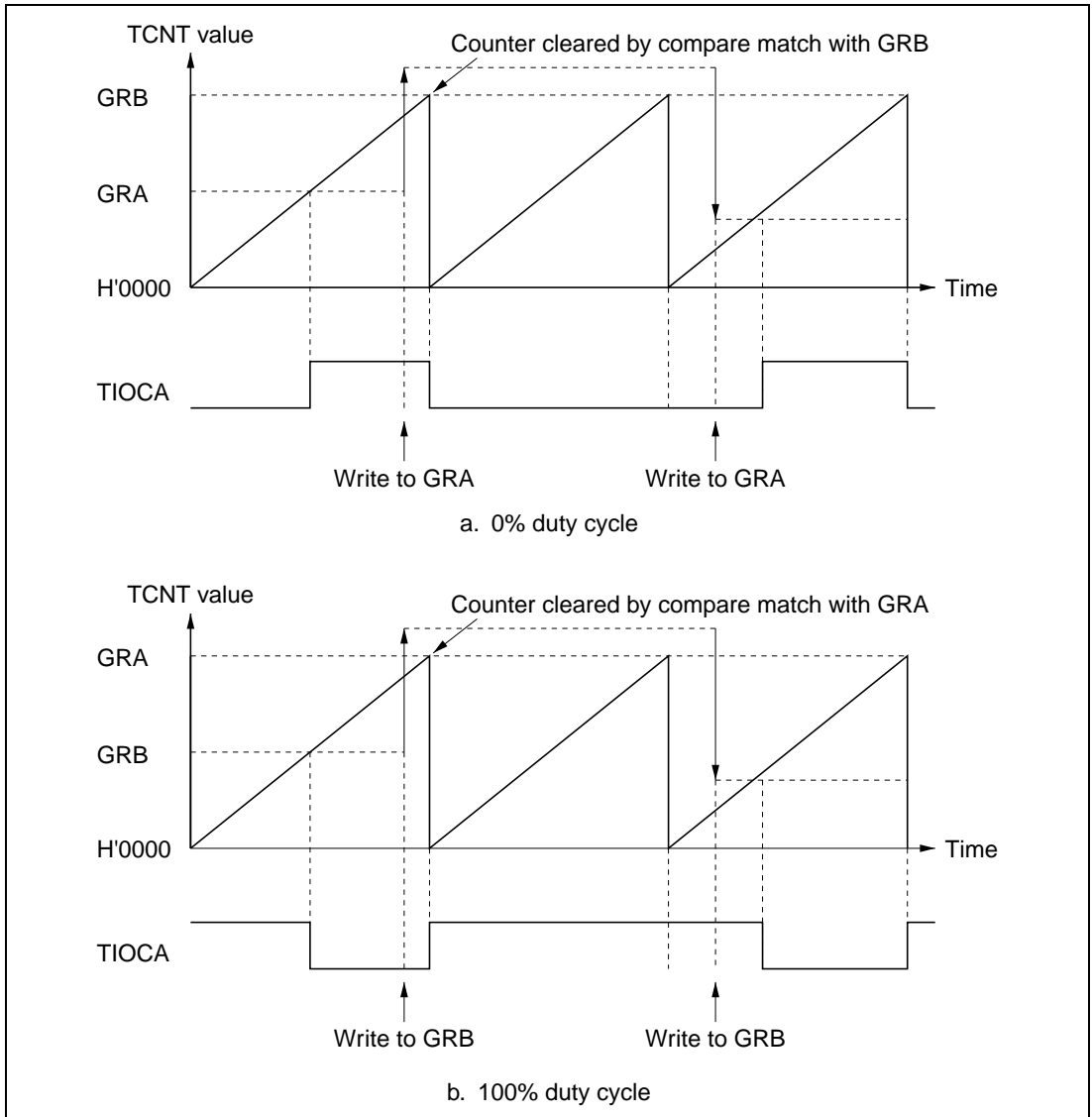


Figure 8.30 PWM Mode (Example 2)

8.4.5 Reset-Synchronized PWM Mode

In reset-synchronized PWM mode channels 3 and 4 are combined to produce three pairs of complementary PWM waveforms, all having one waveform transition point in common.

When reset-synchronized PWM mode is selected TIOCA₃, TIOCB₃, TIOCA₄, TOCXA₄, TIOCB₄, and TOCXB₄ automatically become PWM output pins, and TCNT₃ functions as an up-counter.

Table 8.5 lists the PWM output pins. Table 8.6 summarizes the register settings.

Table 8.5 Output Pins in Reset-Synchronized PWM Mode

| Channel | Output Pin | Description |
|---------|--------------------|--|
| 3 | TIOCA ₃ | PWM output 1 |
| | TIOCB ₃ | PWM output 1' (complementary waveform to PWM output 1) |
| 4 | TIOCA ₄ | PWM output 2 |
| | TOCXA ₄ | PWM output 2' (complementary waveform to PWM output 2) |
| | TIOCB ₄ | PWM output 3 |
| | TOCXB ₄ | PWM output 3' (complementary waveform to PWM output 3) |

Table 8.6 Register Settings in Reset-Synchronized PWM Mode

| Register | Setting |
|----------|---|
| TCNT3 | Initially set to H'0000 |
| TCNT4 | Not used (operates independently) |
| GRA3 | Specifies the count period of TCNT3 |
| GRB3 | Specifies a transition point of PWM waveforms output from TIOCA ₃ and TIOCB ₃ |
| GRA4 | Specifies a transition point of PWM waveforms output from TIOCA ₄ and TOCXA ₄ |
| GRB4 | Specifies a transition point of PWM waveforms output from TIOCB ₄ and TOCXB ₄ |

Sample Setup Procedure for Reset-Synchronized PWM Mode

Figure 8.31 shows a sample procedure for setting up reset-synchronized PWM mode.

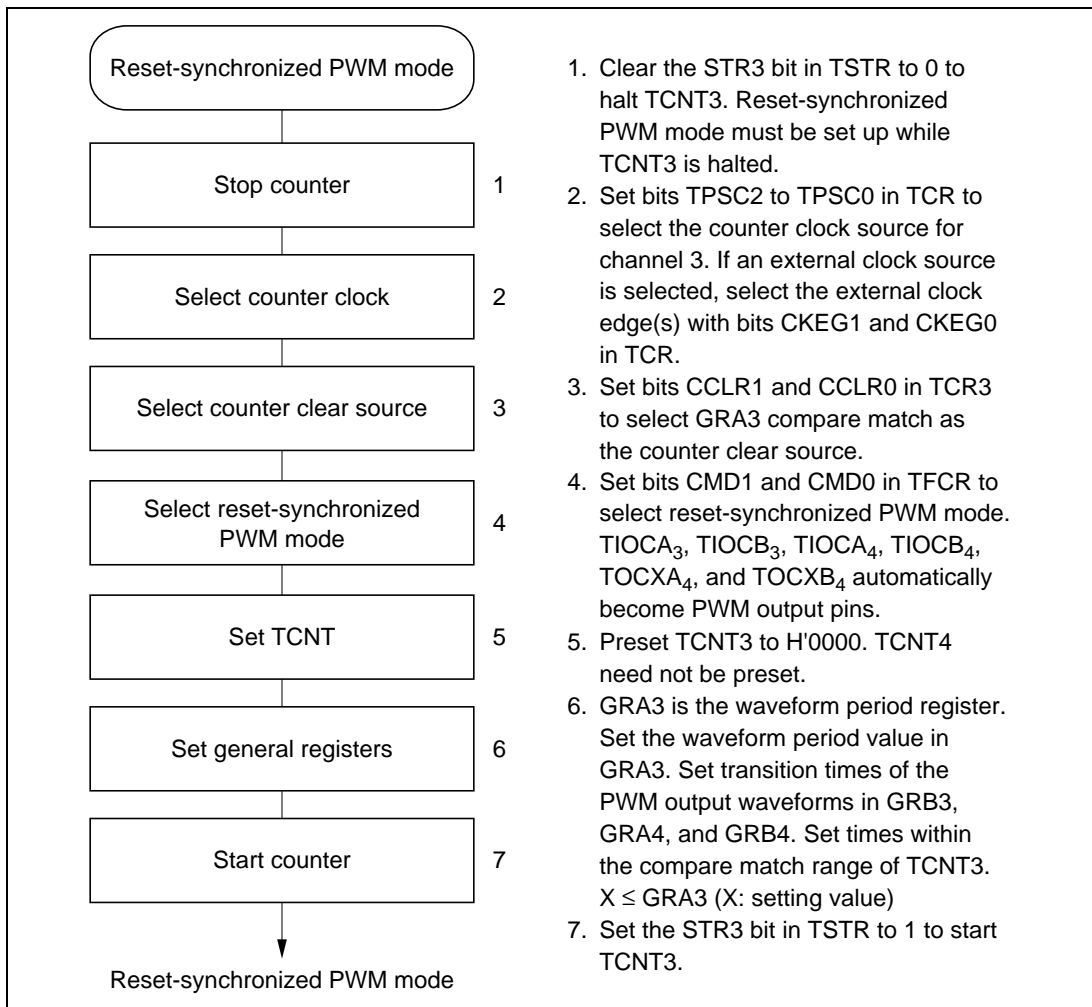


Figure 8.31 Setup Procedure for Reset-Synchronized PWM Mode (Example)

Example of Reset-Synchronized PWM Mode

Figure 8.32 shows an example of operation in reset-synchronized PWM mode. TCNT3 operates as an up-counter in this mode. TCNT4 operates independently, detached from GRA4 and GRB4. When TCNT3 matches GRA3, TCNT3 is cleared and resumes counting from H'0000. The PWM outputs toggle at compare match with GRB3, GRA4, GRB4, and TCNT3 respectively, and when the counter is cleared.

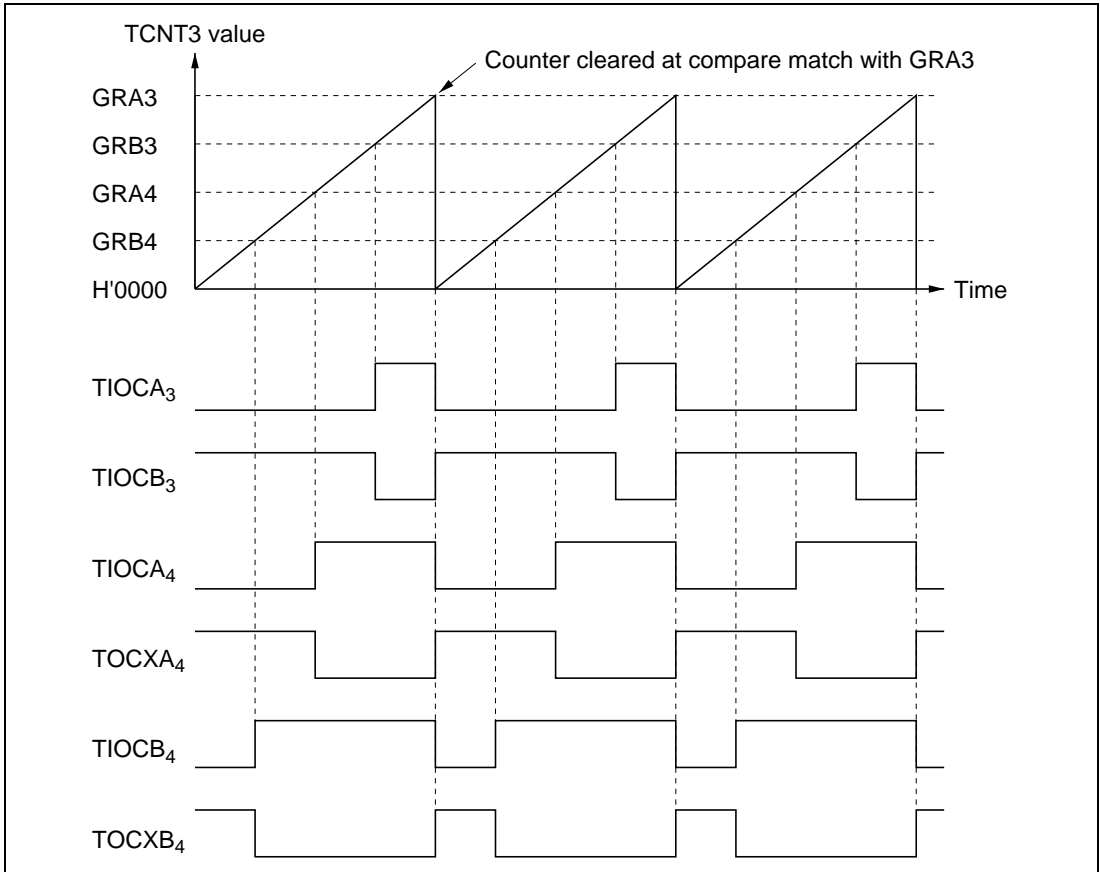


Figure 8.32 Operation in Reset-Synchronized PWM Mode (Example)
(when OLS3 = OLS4 = 1)

For the settings and operation when reset-synchronized PWM mode and buffer mode are both selected, see section 8.4.8, Buffering.

8.4.6 Complementary PWM Mode

In complementary PWM mode channels 3 and 4 are combined to output three pairs of complementary, non-overlapping PWM waveforms.

When complementary PWM mode is selected TIOCA₃, TIOCB₃, TIOCA₄, TOCXA₄, TIOCB₄, and TOCXB₄ automatically become PWM output pins, and TCNT3 and TCNT4 function as up/down-counters.

Table 8.7 lists the PWM output pins. Table 8.8 summarizes the register settings.

Table 8.7 Output Pins in Complementary PWM Mode

| Channel | Output Pin | Description |
|---------|--------------------|--|
| 3 | TIOCA ₃ | PWM output 1 |
| | TIOCB ₃ | PWM output 1' (non-overlapping complementary waveform to PWM output 1) |
| 4 | TIOCA ₄ | PWM output 2 |
| | TOCXA ₄ | PWM output 2' (non-overlapping complementary waveform to PWM output 2) |
| | TIOCB ₄ | PWM output 3 |
| | TOCXB ₄ | PWM output 3' (non-overlapping complementary waveform to PWM output 3) |

Table 8.8 Register Settings in Complementary PWM Mode

| Register | Setting |
|----------|---|
| TCNT3 | Initially specifies the non-overlap margin (difference to TCNT4) |
| TCNT4 | Initially set to H'0000 |
| GRA3 | Specifies the upper limit value of TCNT3 minus 1 |
| GRB3 | Specifies a transition point of PWM waveforms output from TIOCA ₃ and TIOCB ₃ |
| GRA4 | Specifies a transition point of PWM waveforms output from TIOCA ₄ and TOCXA ₄ |
| GRB4 | Specifies a transition point of PWM waveforms output from TIOCB ₄ and TOCXB ₄ |

Setup Procedure for Complementary PWM Mode

Figure 8.33 shows a sample procedure for setting up complementary PWM mode.

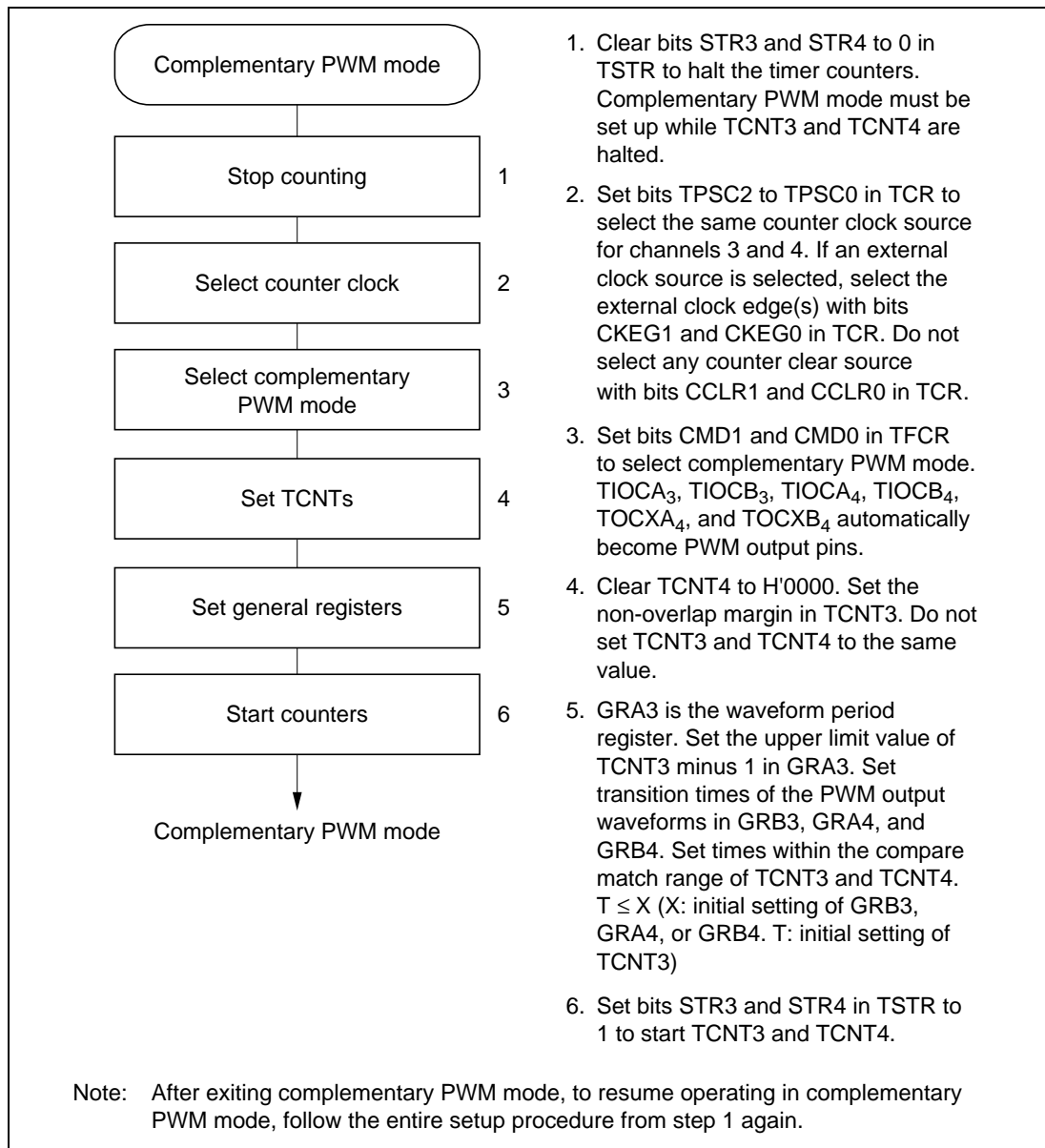


Figure 8.33 Setup Procedure for Complementary PWM Mode (Example)

Clearing Complementary PWM Mode

Figure 8.34 shows a sample procedure for clearing complementary PWM mode.

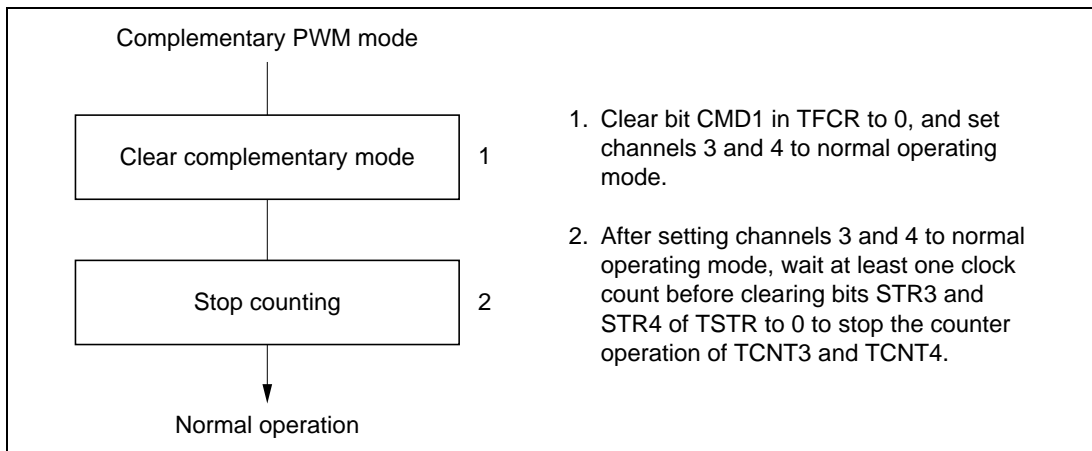


Figure 8.34 Clearing Procedure for Complementary PWM Mode (Example)

Examples of Complementary PWM Mode

Figure 8.35 shows an example of operation in complementary PWM mode. TCNT3 and TCNT4 operate as up/down-counters, counting down from compare match between TCNT3 and GRA3 and counting up from the point at which TCNT4 underflows. During each up-and-down counting cycle, PWM waveforms are generated by compare match with general registers GRB3, GRA4, and GRB4. Since TCNT3 is initially set to a higher value than TCNT4, compare match events occur in the sequence TCNT3, TCNT4, TCNT4, TCNT3.

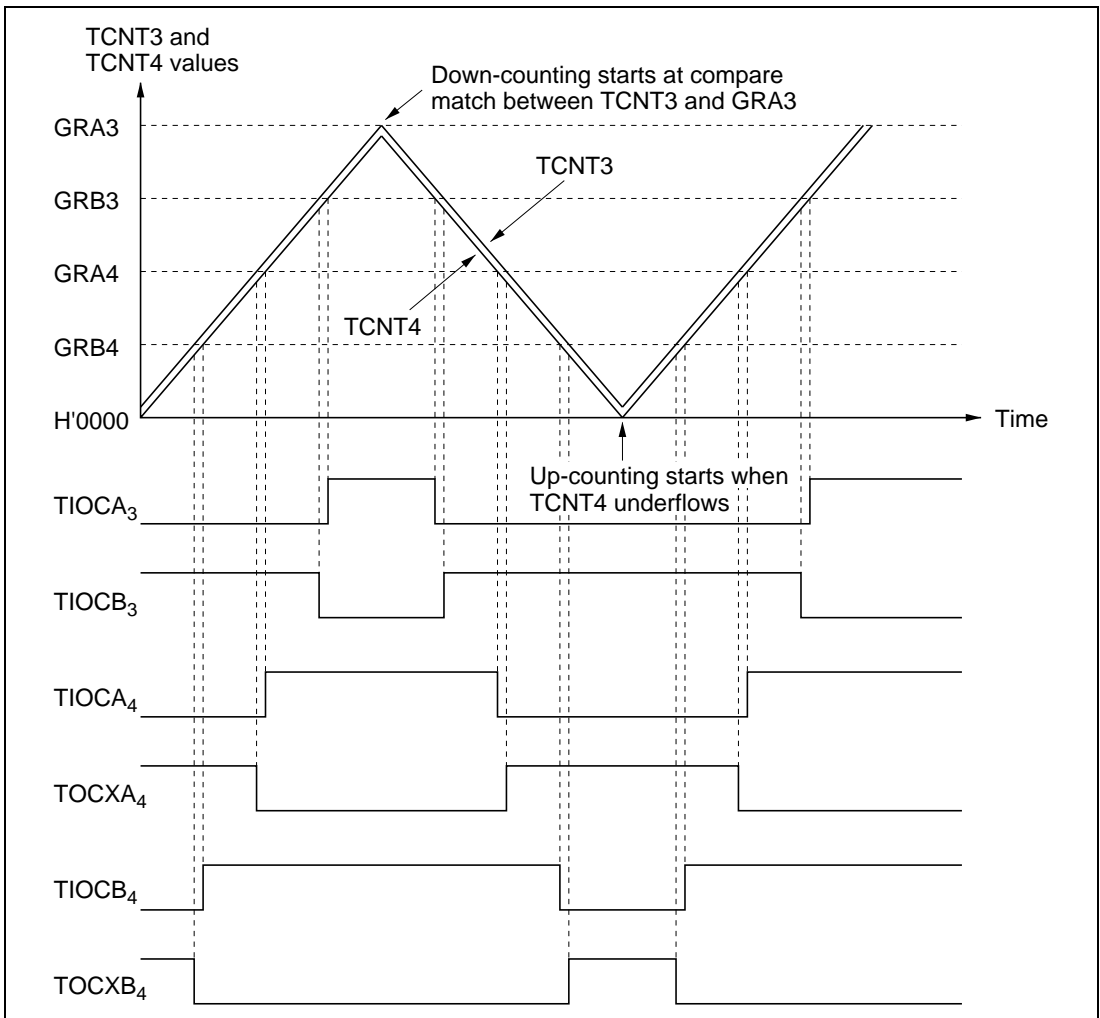


Figure 8.35 Operation in Complementary PWM Mode (Example 1)
(when OLS3 = OLS4 = 1)

Figure 8.36 shows examples of waveforms with 0% and 100% duty cycles (in one phase) in complementary PWM mode. In this example the outputs change at compare match with GRB3, so waveforms with duty cycles of 0% or 100% can be output by setting GRB3 to a value larger than GRA3. The duty cycle can be changed easily during operation by use of the buffer registers. For further information see section 8.4.8, Buffering.

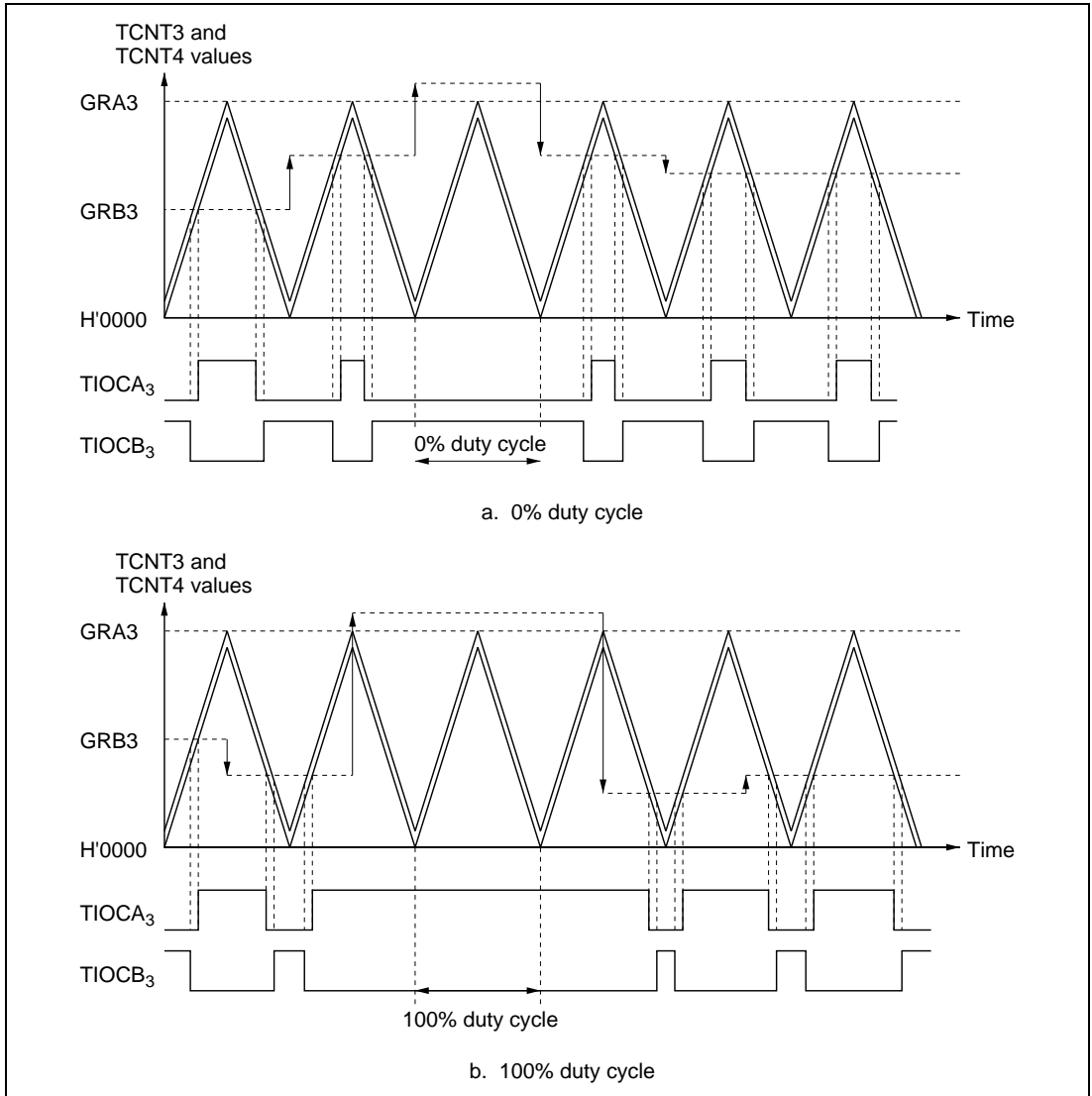


Figure 8.36 Operation in Complementary PWM Mode (Example 2)
(when OLS3 = OLS4 = 1)

In complementary PWM mode, TCNT3 and TCNT4 overshoot and undershoot at the transitions between up-counting and down-counting. The setting conditions for the IMFA bit in channel 3 and the OVF bit in channel 4 differ from the usual conditions. In buffered operation the buffer transfer conditions also differ. Timing diagrams are shown in figures 8.37 and 8.38.

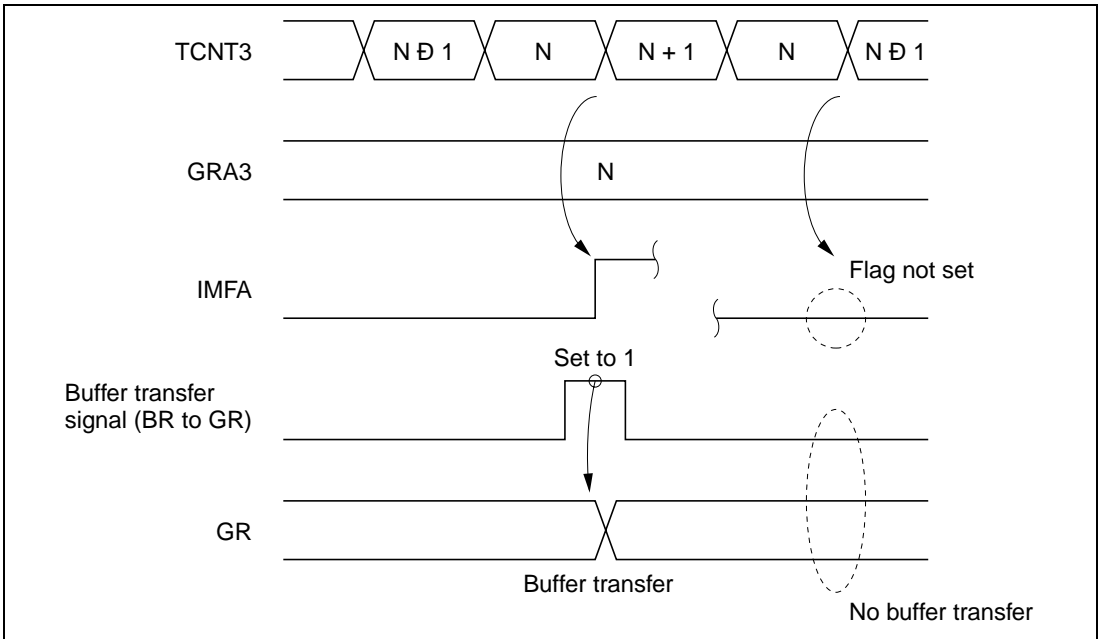


Figure 8.37 Overshoot Timing

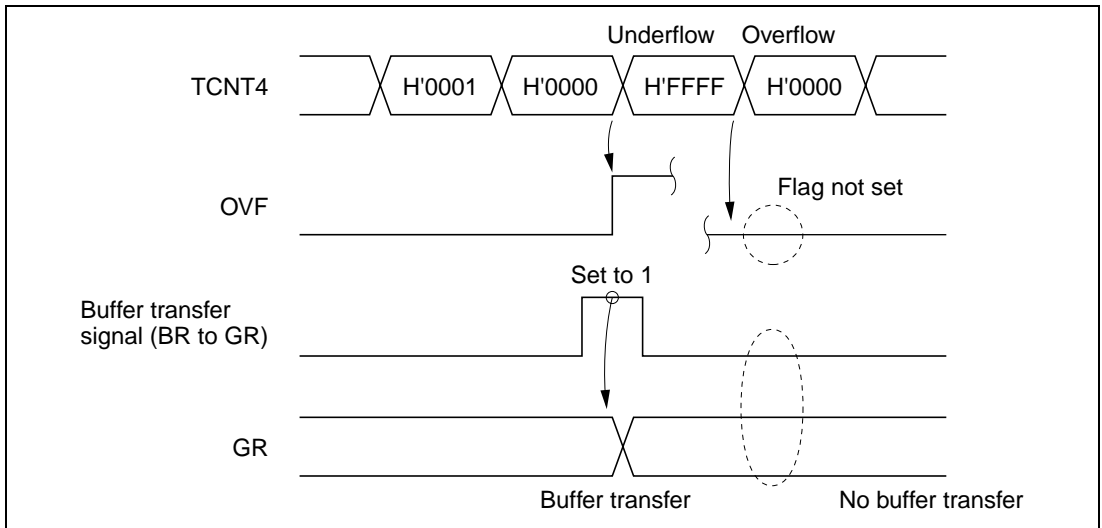


Figure 8.38 Undershoot Timing

In channel 3, IMFA is set to 1 only during up-counting. In channel 4, OVF is set to 1 only when an underflow occurs. When buffering is selected, buffer register contents are transferred to the general register at compare match A3 during up-counting, and when TCNT4 underflows.

General Register Settings in Complementary PWM Mode

When setting up general registers for complementary PWM mode or changing their settings during operation, note the following points.

- **Initial settings**
Do not set values from H'0000 to $T - 1$ (where T is the initial value of TCNT3). After the counters start and the first compare match A3 event has occurred, however, settings in this range also become possible.
- **Changing settings**
Use the buffer registers. Correct waveform output may not be obtained if a general register is written to directly.
- **Cautions on changes of general register settings**
Figure 8.39 shows six correct examples and one incorrect example.

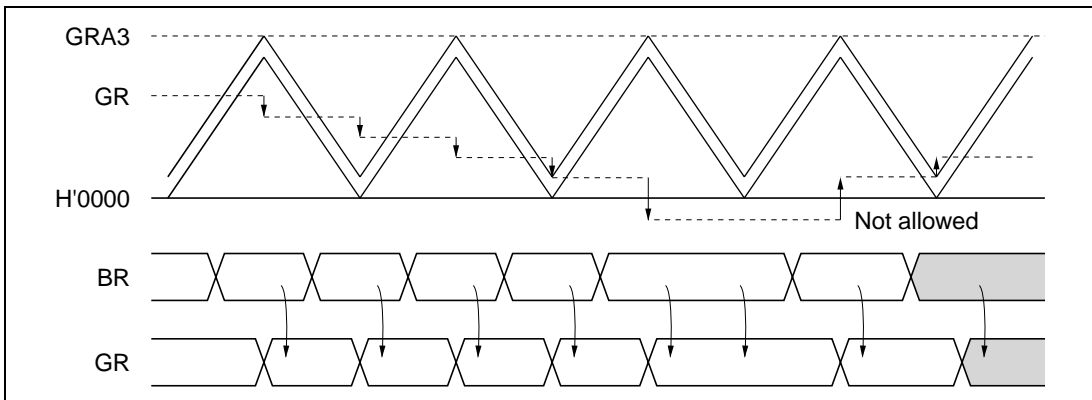


Figure 8.39 Changing a General Register Setting by Buffer Transfer (Example 1)

— Buffer transfer at transition from up-counting to down-counting

If the general register value is in the range from $GRA3 - T + 1$ to $GRA3$, do not transfer a buffer register value outside this range. Conversely, if the general register value is outside this range, do not transfer a value within this range. See figure 8.40.

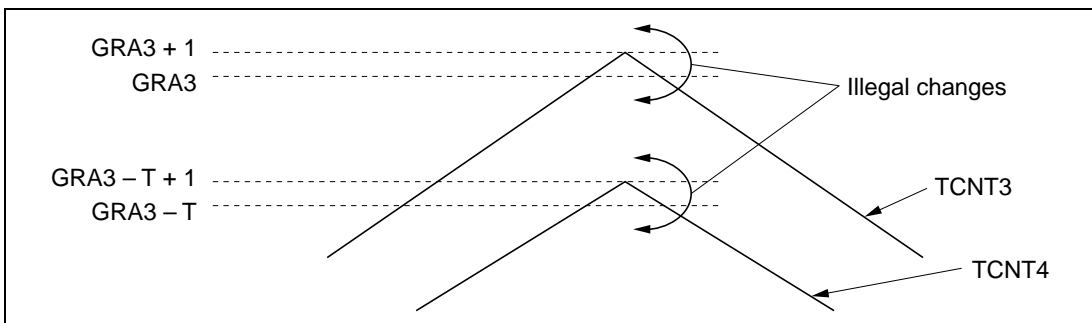


Figure 8.40 Changing a General Register Setting by Buffer Transfer (Caution 1)

— Buffer transfer at transition from down-counting to up-counting

If the general register value is in the range from $H'0000$ to $T - 1$, do not transfer a buffer register value outside this range. Conversely, when a general register value is outside this range, do not transfer a value within this range. See figure 8.41.

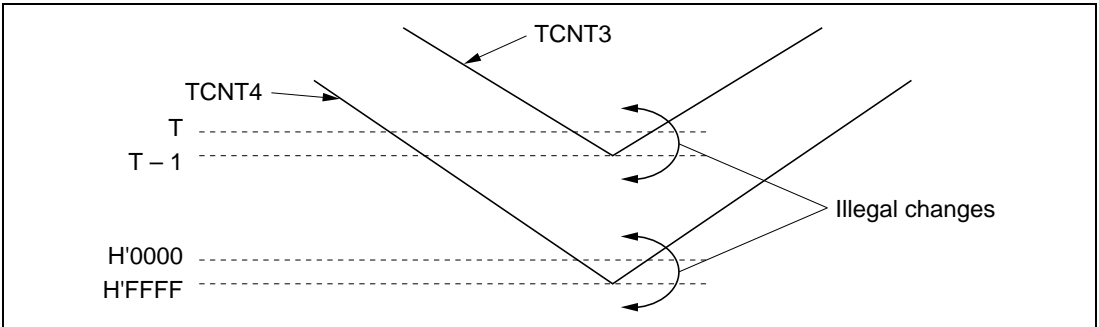


Figure 8.41 Changing a General Register Setting by Buffer Transfer (Caution 2)

- General register settings outside the counting range (H'0000 to GRA3)

Waveforms with a duty cycle of 0% or 100% can be output by setting a general register to a value outside the counting range. When a buffer register is set to a value outside the counting range, then later restored to a value within the counting range, the counting direction (up or down) must be the same both times. See figure 8.42.

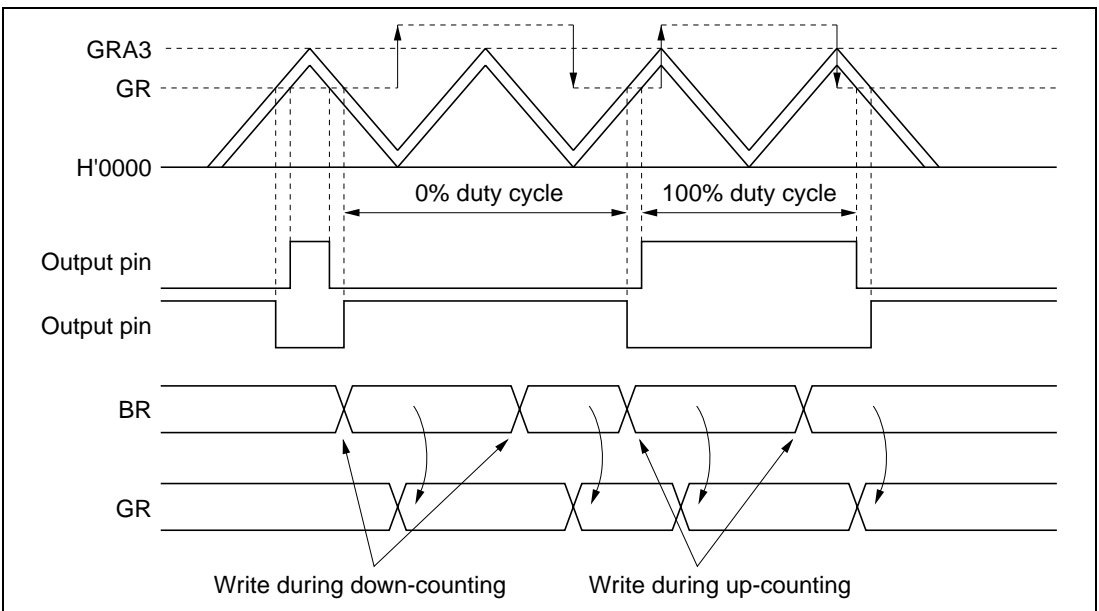


Figure 8.42 Changing a General Register Setting by Buffer Transfer (Example 2)

Settings can be made in this way by detecting GRA3 compare match or TCNT4 underflow before writing to the buffer register.

8.4.7 Phase Counting Mode

In phase counting mode the phase difference between two external clock inputs (at the TCLKA and TCLKB pins) is detected, and TCNT2 counts up or down accordingly.

In phase counting mode, the TCLKA and TCLKB pins automatically function as external clock input pins and TCNT2 becomes an up/down-counter, regardless of the settings of bits TPSC2 to TPSC0, CKEG1, and CKEG0 in TCR2. Settings of bits CCLR1, CCLR0 in TCR2, and settings in TIOR2, TIER2, TSR2, GRA2, and GRB2 are valid. The input capture and output compare functions can be used, and interrupts can be generated.

Phase counting is available only in channel 2.

Sample Setup Procedure for Phase Counting Mode

Figure 8.43 shows a sample procedure for setting up phase counting mode.

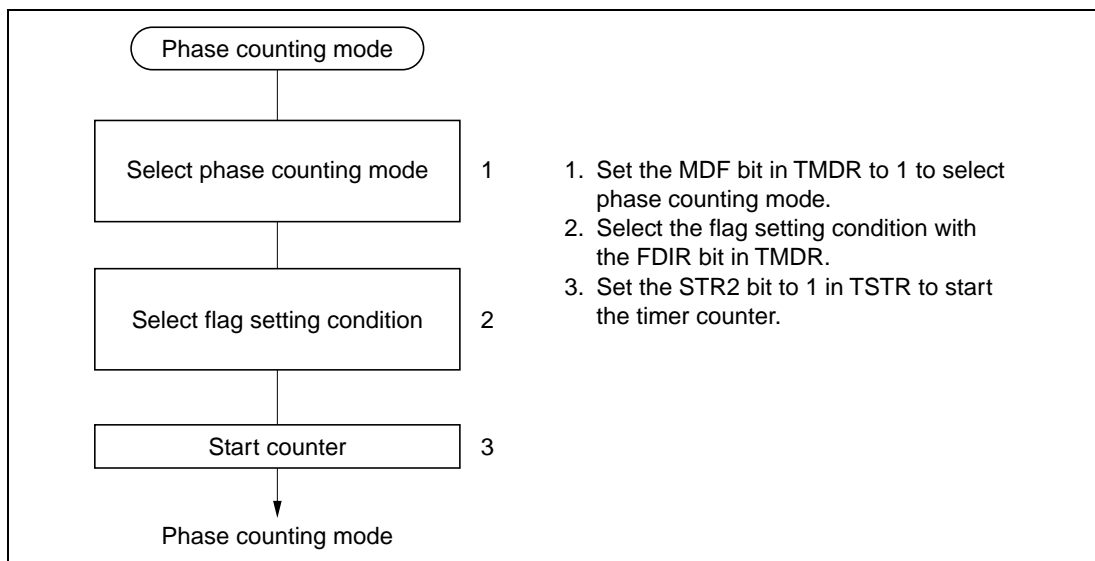


Figure 8.43 Setup Procedure for Phase Counting Mode (Example)

Example of Phase Counting Mode

Figure 8.44 shows an example of operations in phase counting mode. Table 8.9 lists the up-counting and down-counting conditions for TCNT2.

In phase counting mode both the rising and falling edges of TCLKA and TCLKB are counted. The phase difference between TCLKA and TCLKB must be at least 1.5 states, the phase overlap must also be at least 1.5 states, and the pulse width must be at least 2.5 states. See figure 8.45.

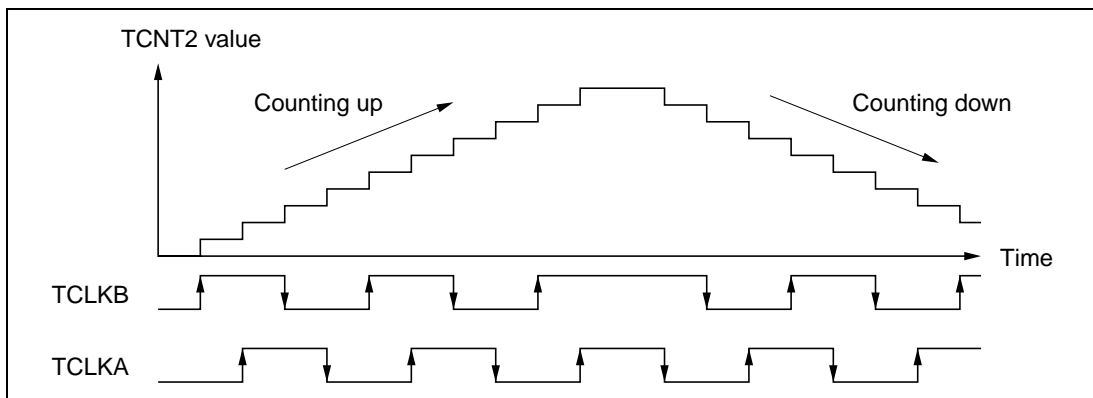


Figure 8.44 Operation in Phase Counting Mode (Example)

Table 8.9 Up/Down Counting Conditions

| Counting Direction | Up-Counting | | | | Down-Counting | | | |
|--------------------|-------------|------|------|-----|---------------|-----|-----|------|
| TCLKA pin | | High | | Low | High | | Low | |
| TCLKB pin | Low | | High | | | Low | | High |

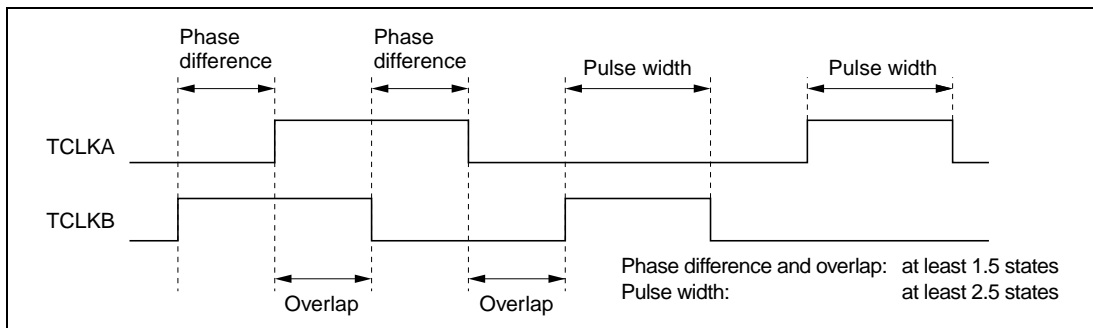


Figure 8.45 Phase Difference, Overlap, and Pulse Width in Phase Counting Mode

8.4.8 Buffering

Buffering operates differently depending on whether a general register is an output compare register or an input capture register, with further differences in reset-synchronized PWM mode and complementary PWM mode. Buffering is available only in channels 3 and 4. Buffering operations under the conditions mentioned above are described next.

- General register used for output compare

The buffer register value is transferred to the general register at compare match. See figure 8.46.

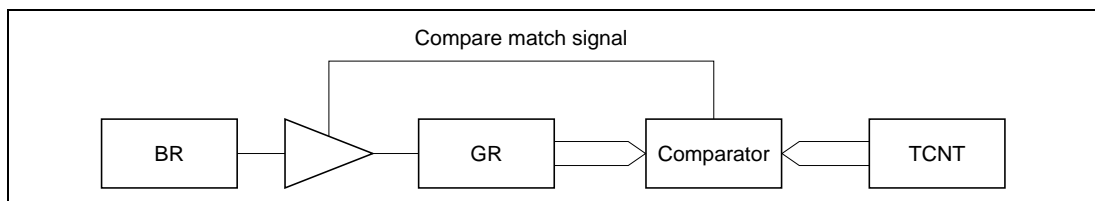


Figure 8.46 Compare Match Buffering

- General register used for input capture

The TCNT value is transferred to the general register at input capture. The previous general register value is transferred to the buffer register.

See figure 8.47.

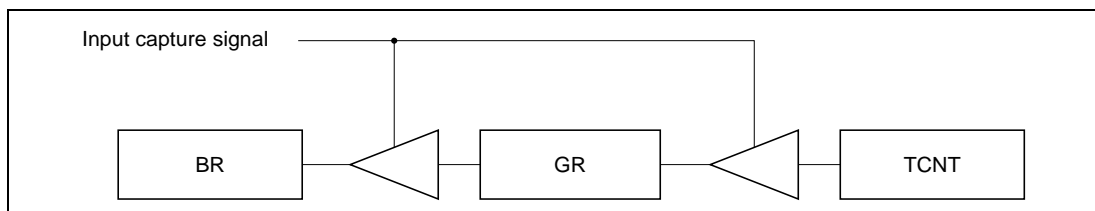


Figure 8.47 Input Capture Buffering

- Complementary PWM mode

The buffer register value is transferred to the general register when TCNT3 and TCNT4 change counting direction. This occurs at the following two times:

- When TCNT3 matches GRA3
- When TCNT4 underflows

- Reset-synchronized PWM mode

The buffer register value is transferred to the general register at compare match A3.

Sample Buffering Setup Procedure

Figure 8.48 shows a sample buffering setup procedure.

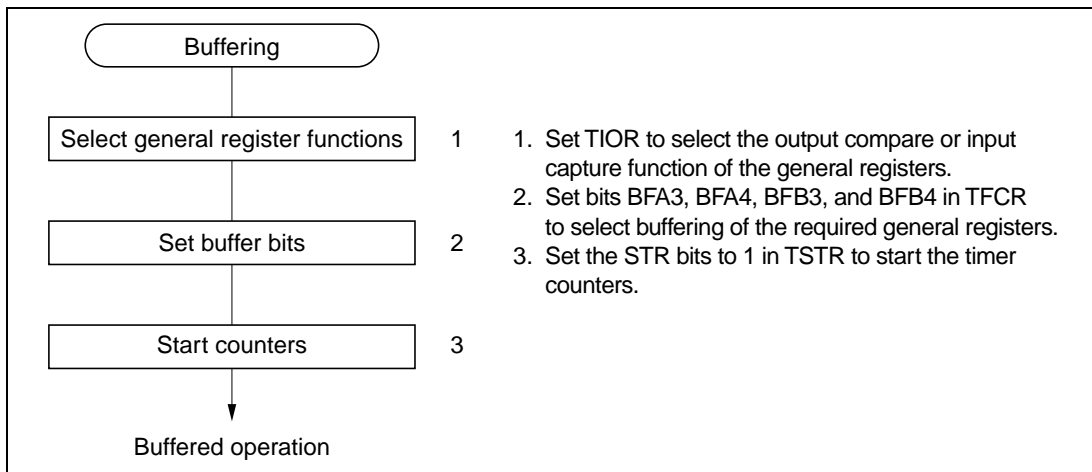


Figure 8.48 Buffering Setup Procedure (Example)

Examples of Buffering

Figure 8.49 shows an example in which GRA is set to function as an output compare register buffered by BRA, TCNT is set to operate as a periodic counter cleared by GRB compare match, and TIOCA and TIOCB are set to toggle at compare match A and B. Because of the buffer setting, when TIOCA toggles at compare match A, the BRA value is simultaneously transferred to GRA. This operation is repeated each time compare match A occurs. Figure 8.50 shows the transfer timing.

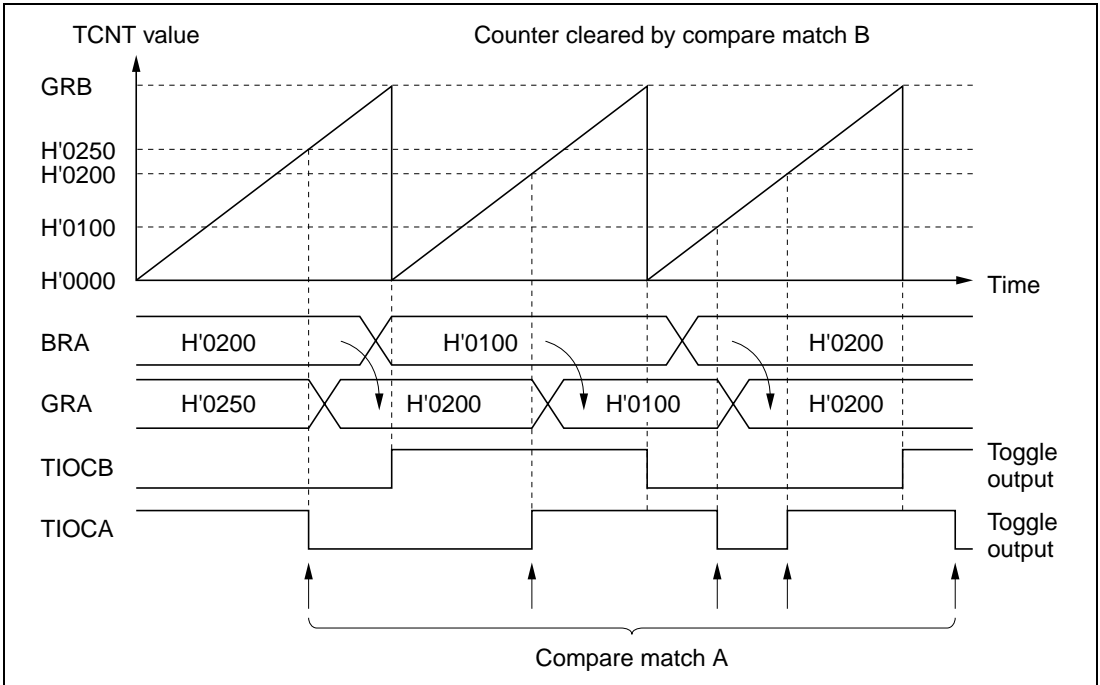


Figure 8.49 Register Buffering (Example 1: Buffering of Output Compare Register)

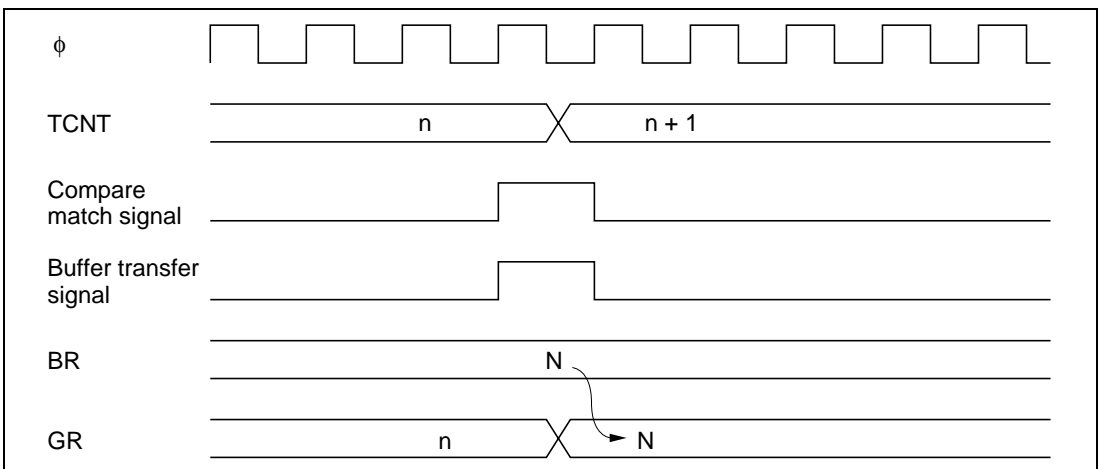


Figure 8.50 Compare Match and Buffer Transfer Timing (Example)

Figure 8.51 shows an example in which GRA is set to function as an input capture register buffered by BRA, and TCNT is cleared by input capture B. The falling edge is selected as the input capture edge at TIOCB. Both edges are selected as input capture edges at TIOCA. Because of the buffer setting, when the TCNT value is captured into GRA at input capture A, the previous GRA value is simultaneously transferred to BRA. Figure 8.52 shows the transfer timing.

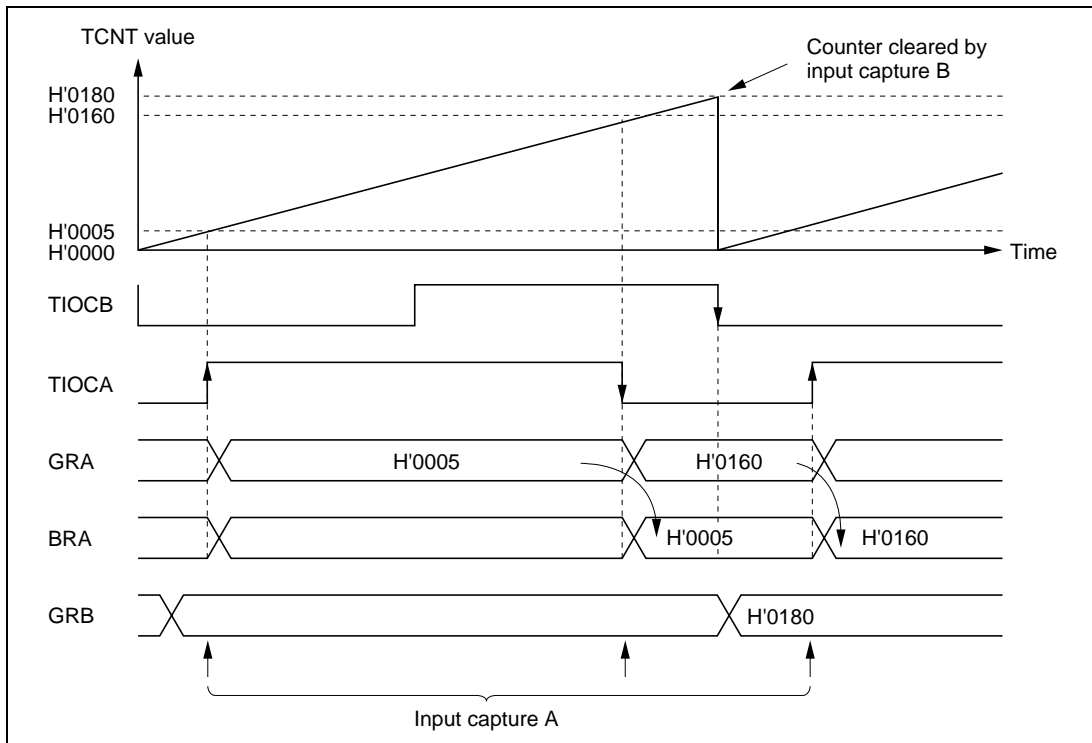


Figure 8.51 Register Buffering (Example 2: Buffering of Input Capture Register)

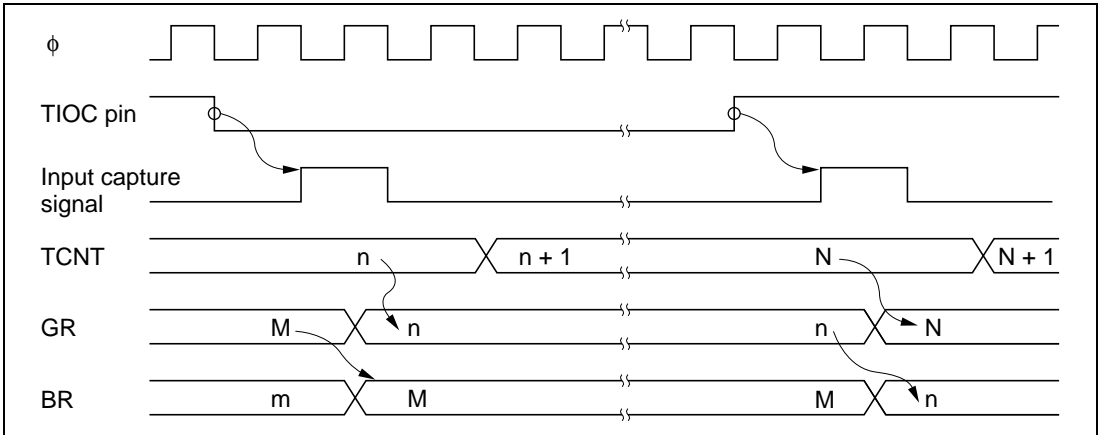


Figure 8.52 Input Capture and Buffer Transfer Timing (Example)

Figure 8.53 shows an example in which GRB3 is buffered by BRB3 in complementary PWM mode. Buffering is used to set GRB3 to a higher value than GRA3, generating a PWM waveform with 0% duty cycle. The BRB3 value is transferred to GRB3 when TCNT3 matches GRA3, and when TCNT4 underflows.

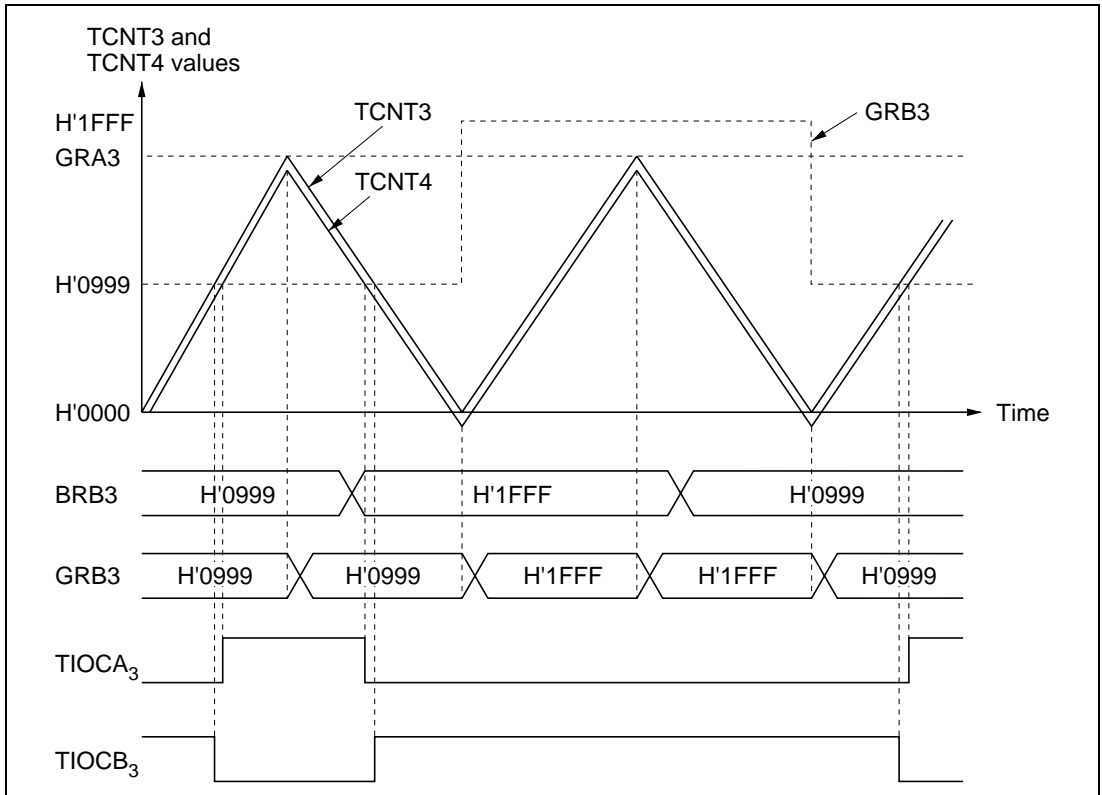


Figure 8.53 Register Buffering (Example 4: Buffering in Complementary PWM Mode)

8.4.9 ITU Output Timing

The ITU outputs from channels 3 and 4 can be disabled by bit settings in TOER or by an external trigger, or inverted by bit settings in TOCR.

Timing of Enabling and Disabling of ITU Output by TOER

In this example an ITU output is disabled by clearing a master enable bit to 0 in TOER. An arbitrary value can be output by appropriate settings of the data register (DR) and data direction register (DDR) of the corresponding input/output port. Figure 8.54 illustrates the timing of the enabling and disabling of ITU output by TOER.

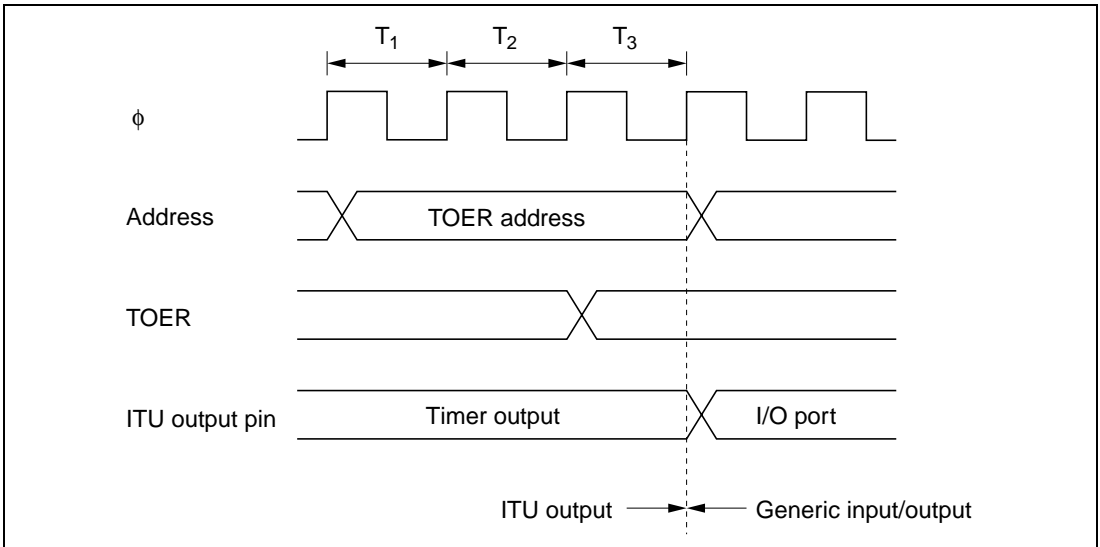


Figure 8.54 Timing of Disabling of ITU Output by Writing to TOER (Example)

Timing of Disabling of ITU Output by External Trigger

If the XTGD bit is cleared to 0 in TOCR in reset-synchronized PWM mode or complementary PWM mode, when an input capture A signal occurs in channel 1, the master enable bits are cleared to 0 in TOER, disabling ITU output. Figure 8.55 shows the timing.

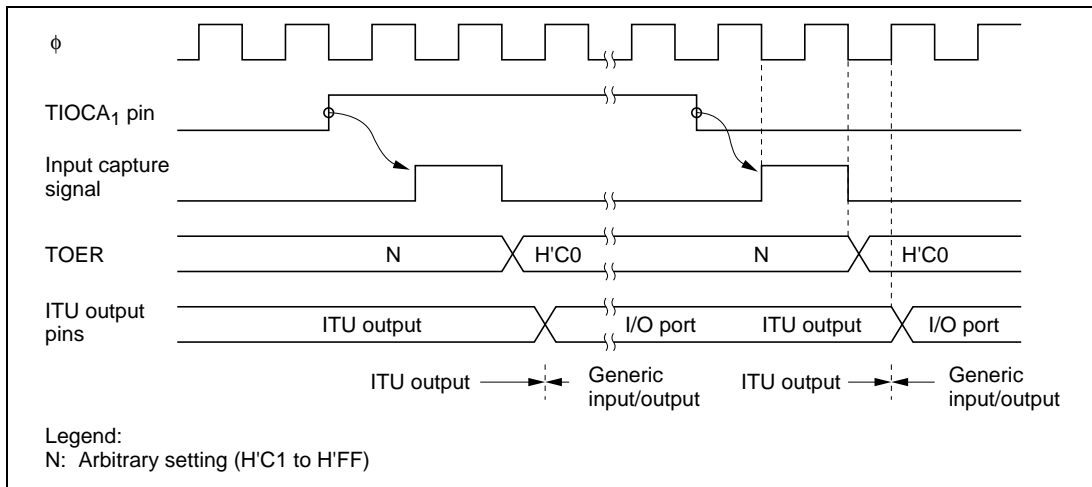


Figure 8.55 Timing of Disabling of ITU Output by External Trigger (Example)

Timing of Output Inversion by TOCR

The output levels in reset-synchronized PWM mode and complementary PWM mode can be inverted by inverting the output level select bits (OLS4 and OLS3) in TOCR. Figure 8.56 shows the timing.

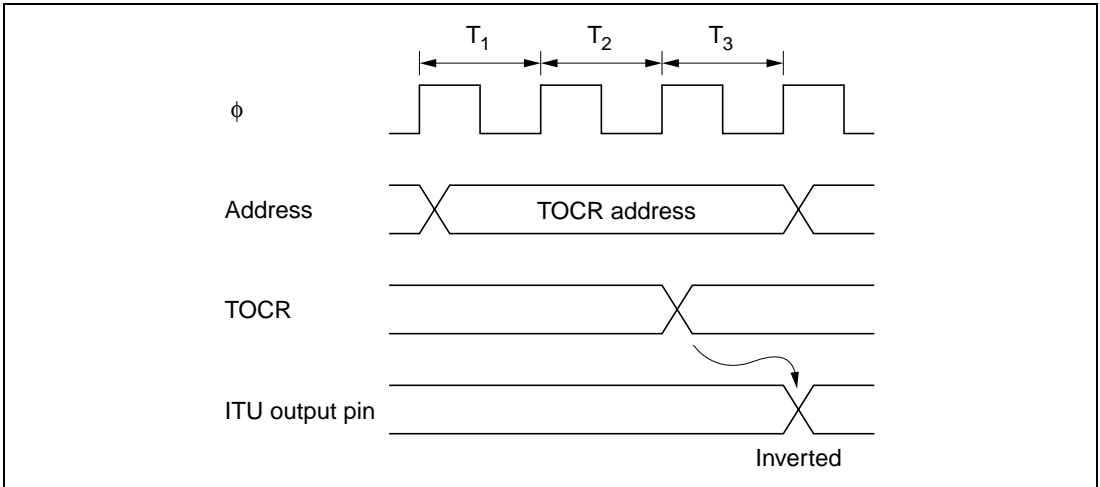


Figure 8.56 Timing of Inverting of ITU Output Level by Writing to TOCR (Example)

8.5 Interrupts

The ITU has two types of interrupts: input capture/compare match interrupts, and overflow interrupts.

8.5.1 Setting of Status Flags

Timing of Setting of IMFA and IMFB at Compare Match

IMFA and IMFB are set to 1 by a compare match signal generated when TCNT matches a general register (GR). The compare match signal is generated in the last state in which the values match (when TCNT is updated from the matching count to the next count). Therefore, when TCNT matches a general register, the compare match signal is not generated until the next timer clock input. Figure 8.57 shows the timing of the setting of IMFA and IMFB.

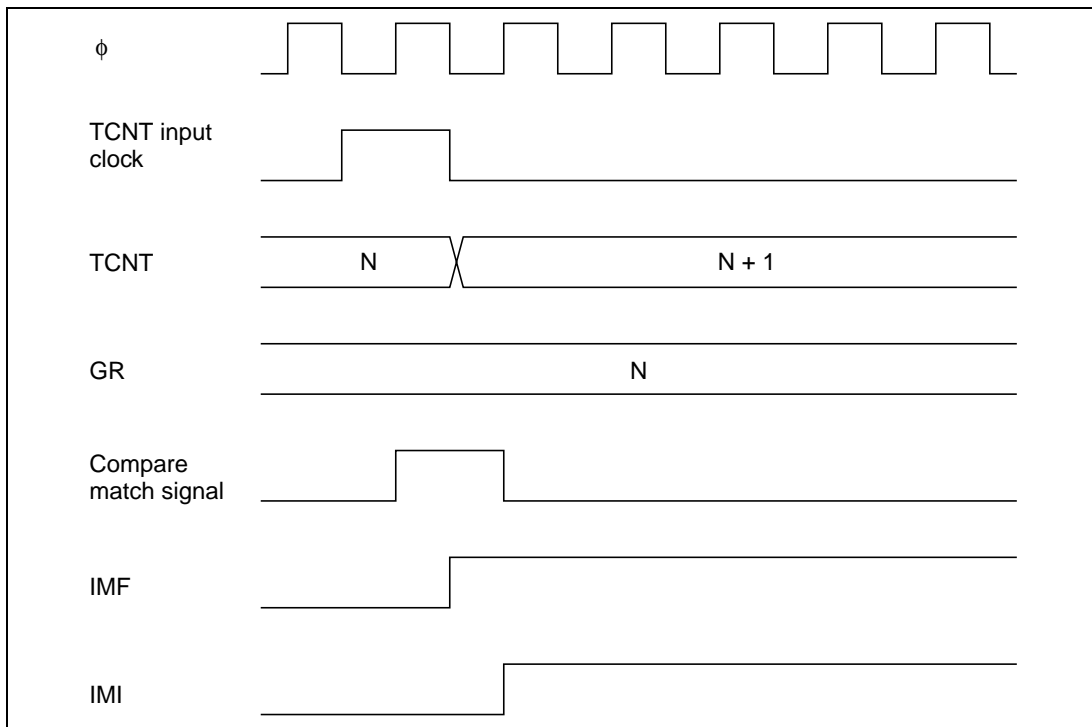


Figure 8.57 Timing of Setting of IMFA and IMFB by Compare Match

Timing of Setting of IMFA and IMFB by Input Capture

IMFA and IMFB are set to 1 by an input capture signal. The TCNT contents are simultaneously transferred to the corresponding general register. Figure 8.58 shows the timing.

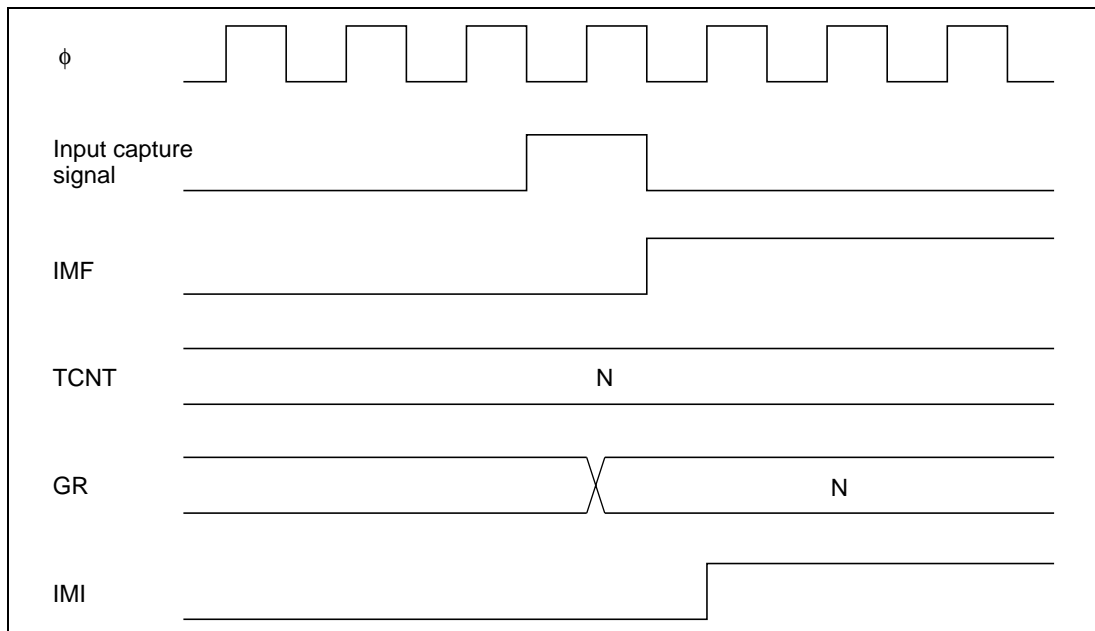


Figure 8.58 Timing of Setting of IMFA and IMFB by Input Capture

Timing of Setting of Overflow Flag (OVF)

OVF is set to 1 when TCNT overflows from H'FFFF to H'0000 or underflows from H'0000 to H'FFFF. Figure 8.59 shows the timing.

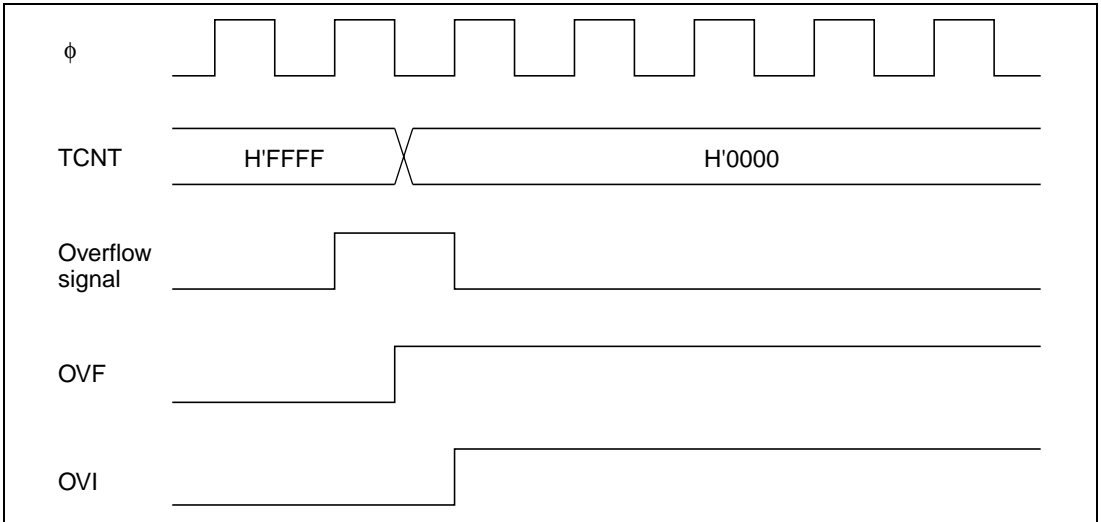


Figure 8.59 Timing of Setting of OVF

8.5.2 Clearing of Status Flags

If the CPU reads a status flag while it is set to 1, then writes 0 in the status flag, the status flag is cleared. Figure 8.60 shows the timing.

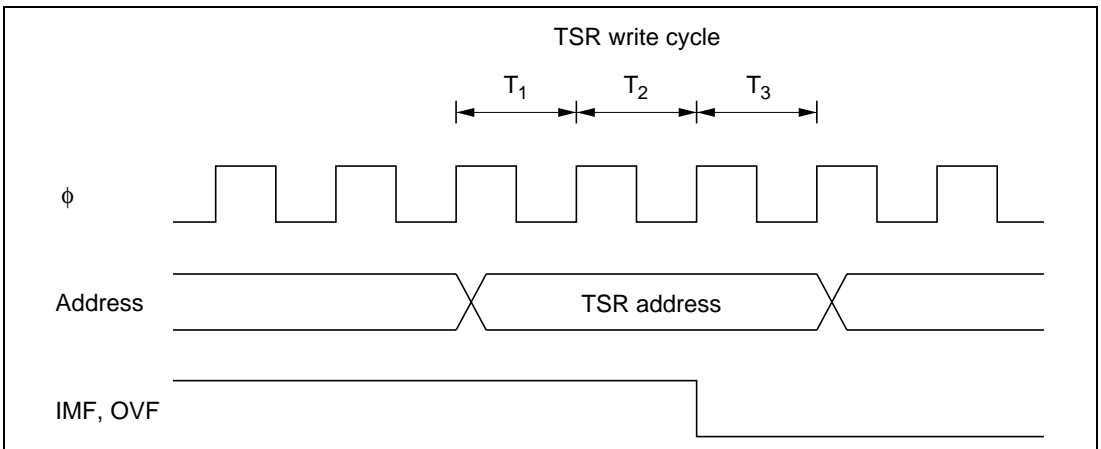


Figure 8.60 Timing of Clearing of Status Flags

8.5.3 Interrupt Sources

Each ITU channel can generate a compare match/input capture A interrupt, a compare match/input capture B interrupt, and an overflow interrupt. In total there are 15 interrupt sources, all independently vectored. An interrupt is requested when the interrupt request flag and interrupt enable bit are both set to 1.

The priority order of the channels can be modified in interrupt priority registers A and B (IPRA and IPRB). For details see section 5, Interrupt Controller.

Table 8.10 lists the interrupt sources.

Table 8.10 ITU Interrupt Sources

| Channel | Interrupt Source | Description | Priority* |
|---------|------------------|--------------------------------|-----------|
| 0 | IMIA0 | Compare match/input capture A0 | |
| | IMIB0 | Compare match/input capture B0 | |
| | OVI0 | Overflow 0 | |
| 1 | IMIA1 | Compare match/input capture A1 | |
| | IMIB1 | Compare match/input capture B1 | |
| | OVI1 | Overflow 1 | |
| 2 | IMIA2 | Compare match/input capture A2 | |
| | IMIB2 | Compare match/input capture B2 | |
| | OVI2 | Overflow 2 | |
| 3 | IMIA3 | Compare match/input capture A3 | |
| | IMIB3 | Compare match/input capture B3 | |
| | OVI3 | Overflow 3 | |
| 4 | IMIA4 | Compare match/input capture A4 | |
| | IMIB4 | Compare match/input capture B4 | |
| | OVI4 | Overflow 4 | |

Note: * The priority immediately after a reset is indicated. Inter-channel priorities can be changed by settings in IPRA and IPRB.

8.6 Usage Notes

This section describes contention and other matters requiring special attention during ITU operations.

Contention between TCNT Write and Clear

If a counter clear signal occurs in the T_3 state of a TCNT write cycle, clearing of the counter takes priority and the write is not performed. See figure 8.61.

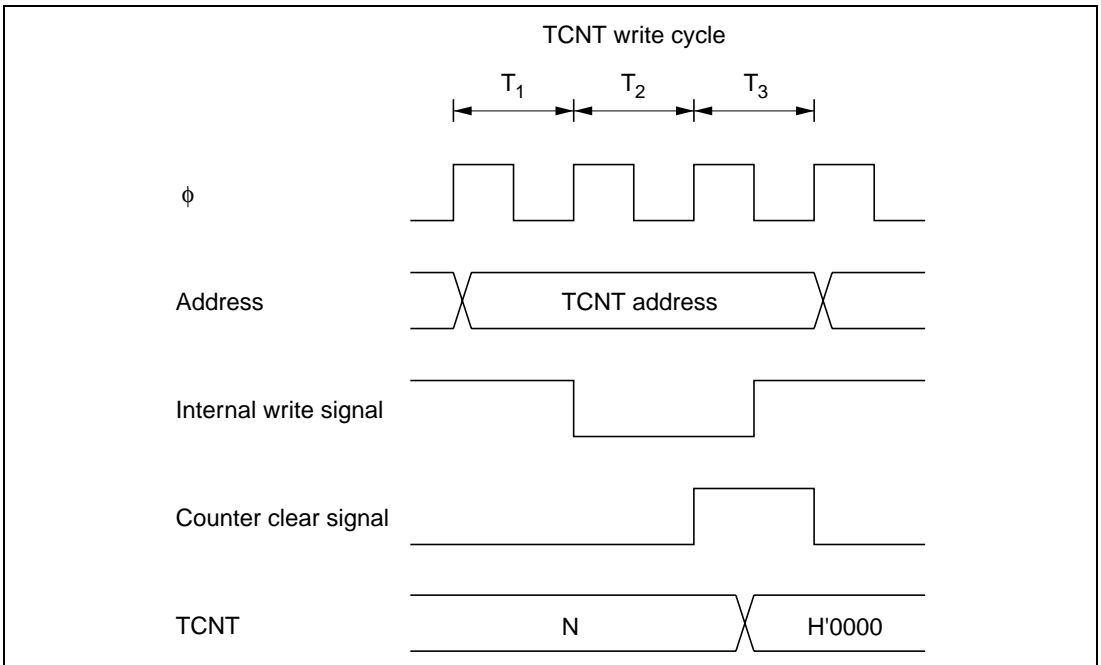


Figure 8.61 Contention between TCNT Write and Clear

Contention between TCNT Word Write and Increment

If an increment pulse occurs in the T_3 state of a TCNT word write cycle, writing takes priority and TCNT is not incremented. See figure 8.62.

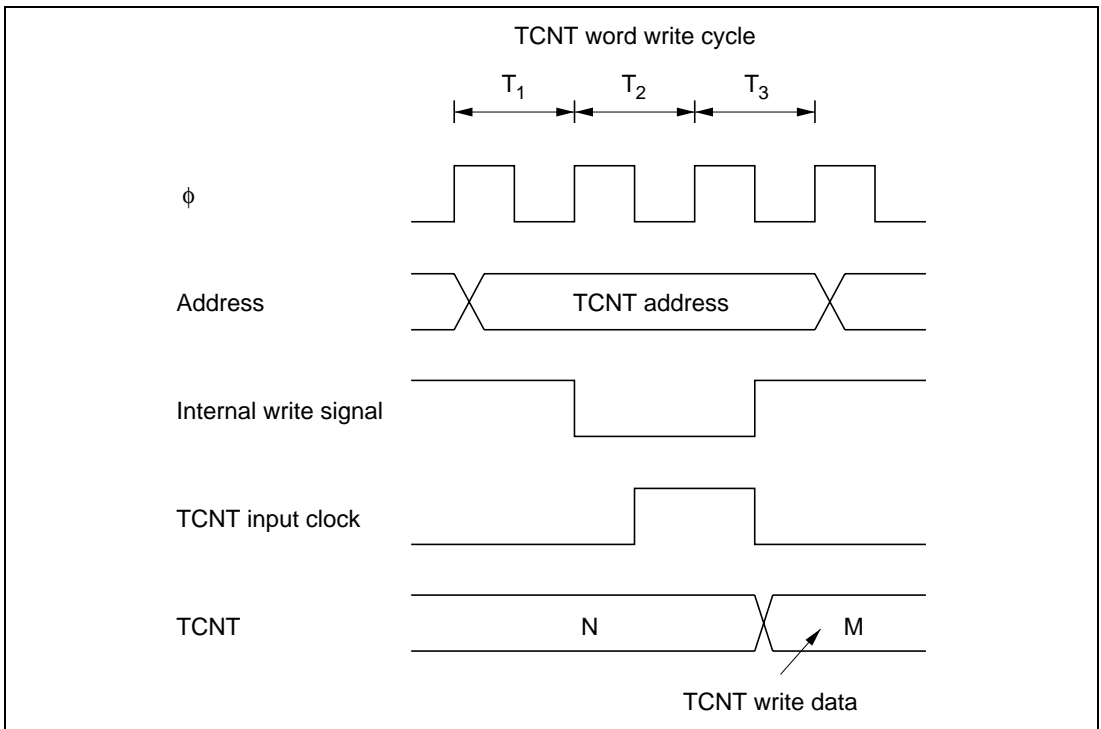


Figure 8.62 Contention between TCNT Word Write and Increment

Contention between TCNT Byte Write and Increment

If an increment pulse occurs in the T_2 or T_3 state of a TCNT byte write cycle, writing takes priority and TCNT is not incremented. The TCNT byte that was not written retains its previous value. See figure 8.63, which shows an increment pulse occurring in the T_2 state of a byte write to TCNTH.

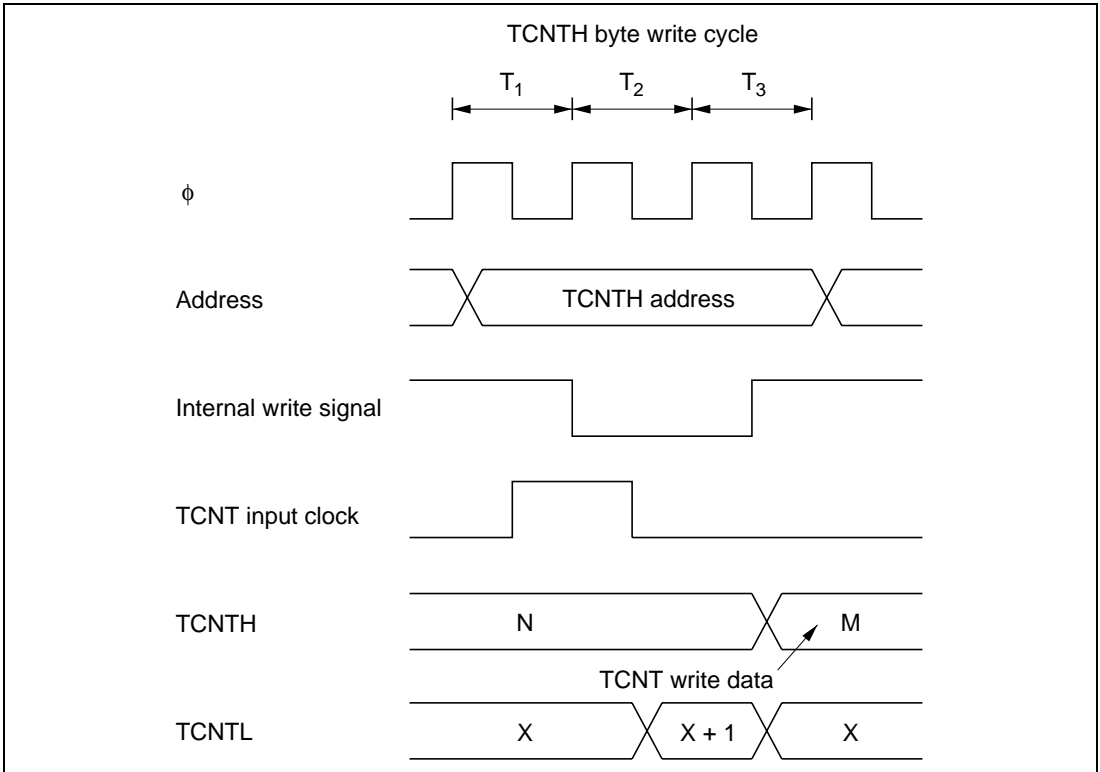


Figure 8.63 Contention between TCNT Byte Write and Increment

Contention between General Register Write and Compare Match

If a compare match occurs in the T_3 state of a general register write cycle, writing takes priority and the compare match signal is inhibited. See figure 8.64.

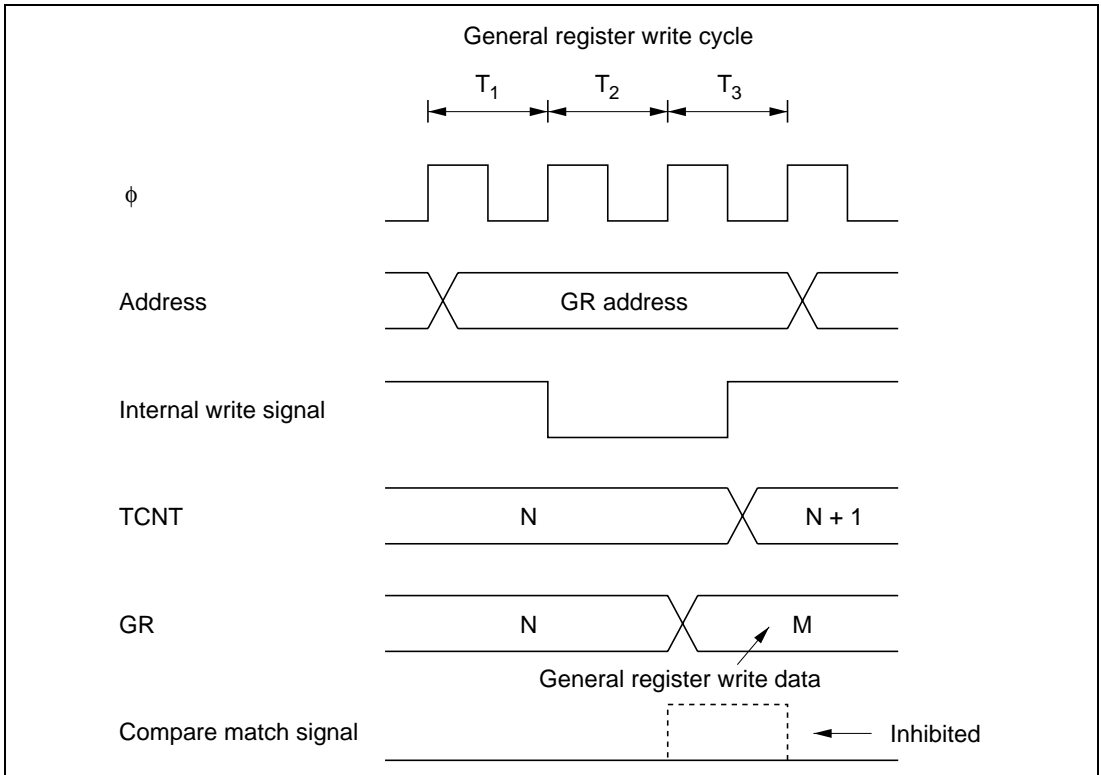


Figure 8.64 Contention between General Register Write and Compare Match

Contention between TCNT Write and Overflow or Underflow

If an overflow occurs in the T_3 state of a TCNT write cycle, writing takes priority and the counter is not incremented. OVF is set to 1. The same holds for underflow. See figure 8.65.

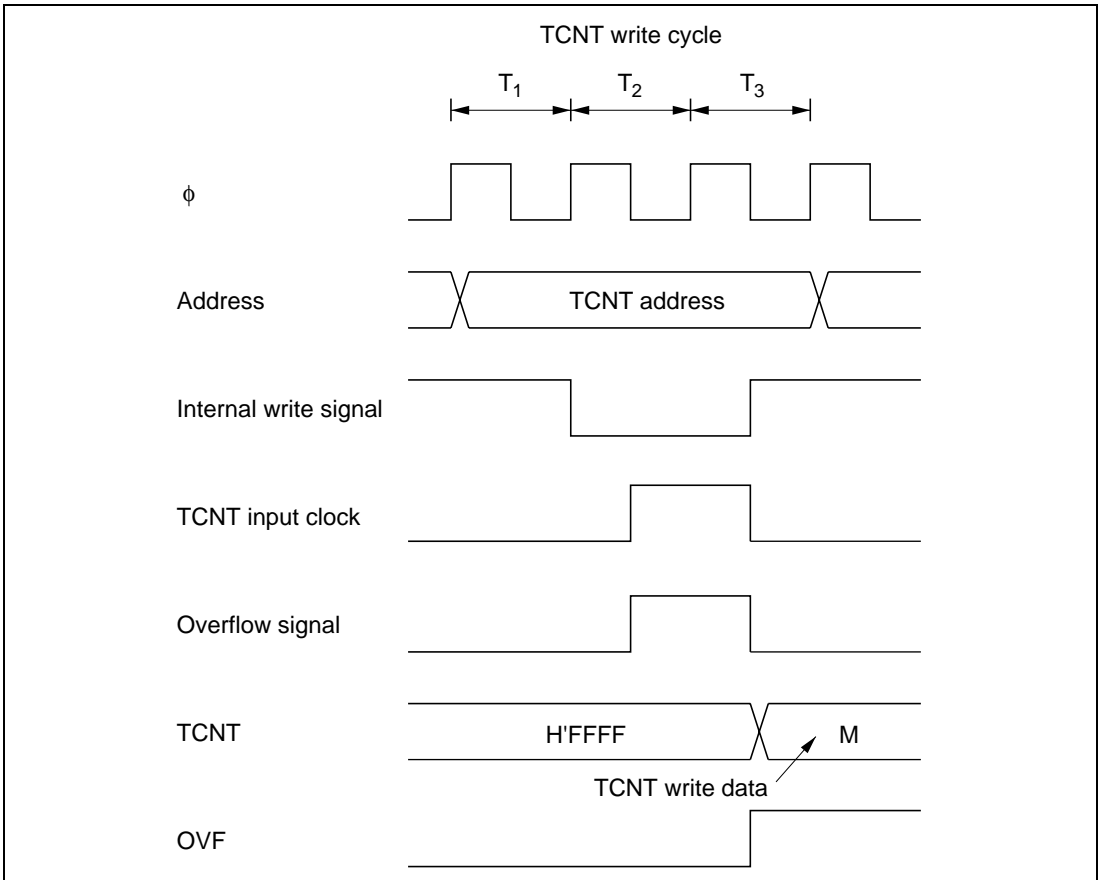


Figure 8.65 Contention between TCNT Write and Overflow

Contention between General Register Read and Input Capture

If an input capture signal occurs during the T_3 state of a general register read cycle, the value before input capture is read. See figure 8.66.

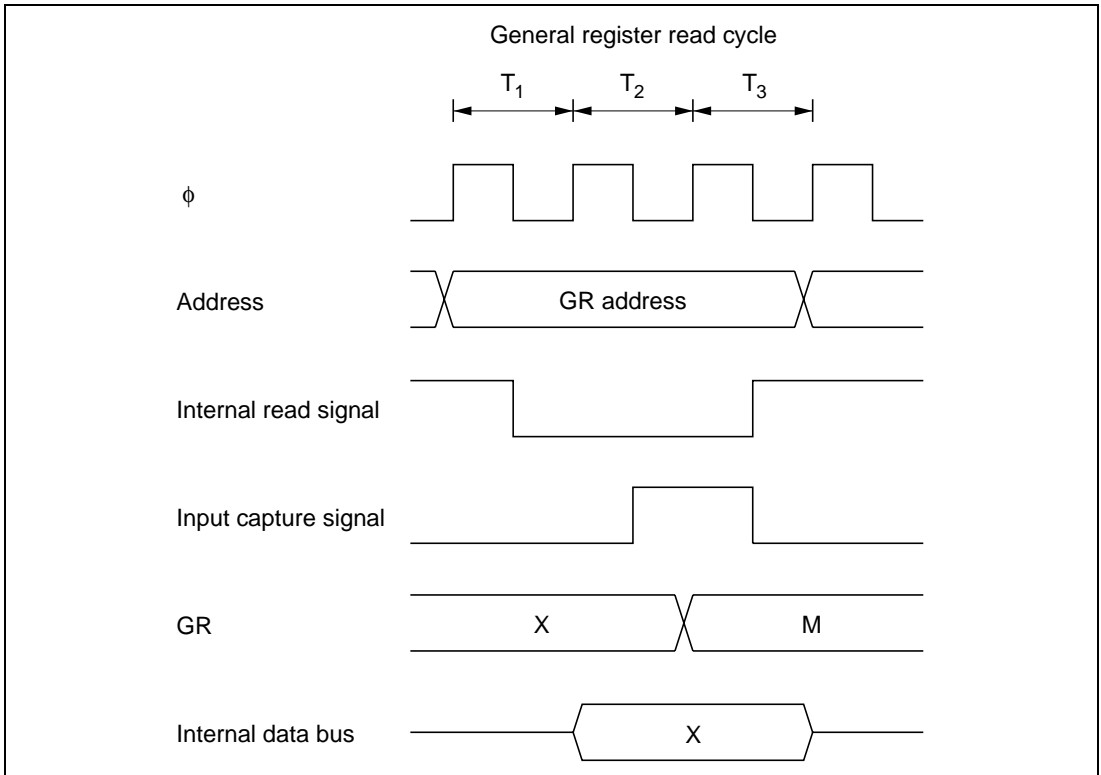


Figure 8.66 Contention between General Register Read and Input Capture

Contention between Counter Clearing by Input Capture and Counter Increment

If an input capture signal and counter increment signal occur simultaneously, the counter is cleared according to the input capture signal. The counter is not incremented by the increment signal. The value before the counter is cleared is transferred to the general register. See figure 8.67.

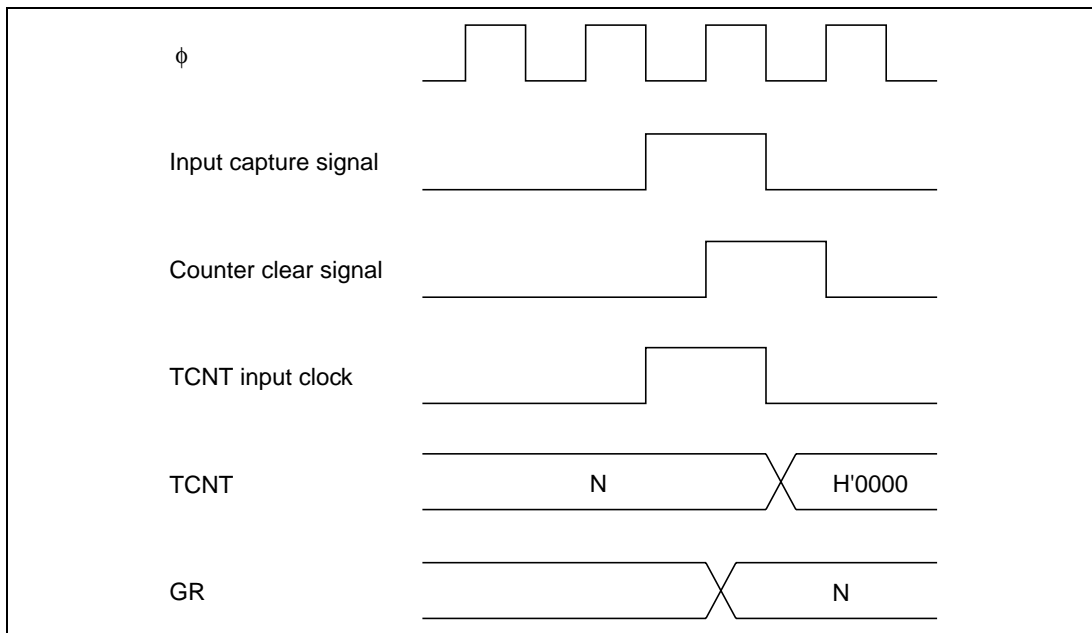


Figure 8.67 Contention between Counter Clearing by Input Capture and Counter Increment

Contention between General Register Write and Input Capture

If an input capture signal occurs in the T_3 state of a general register write cycle, input capture takes priority and the write to the general register is not performed. See figure 8.68.

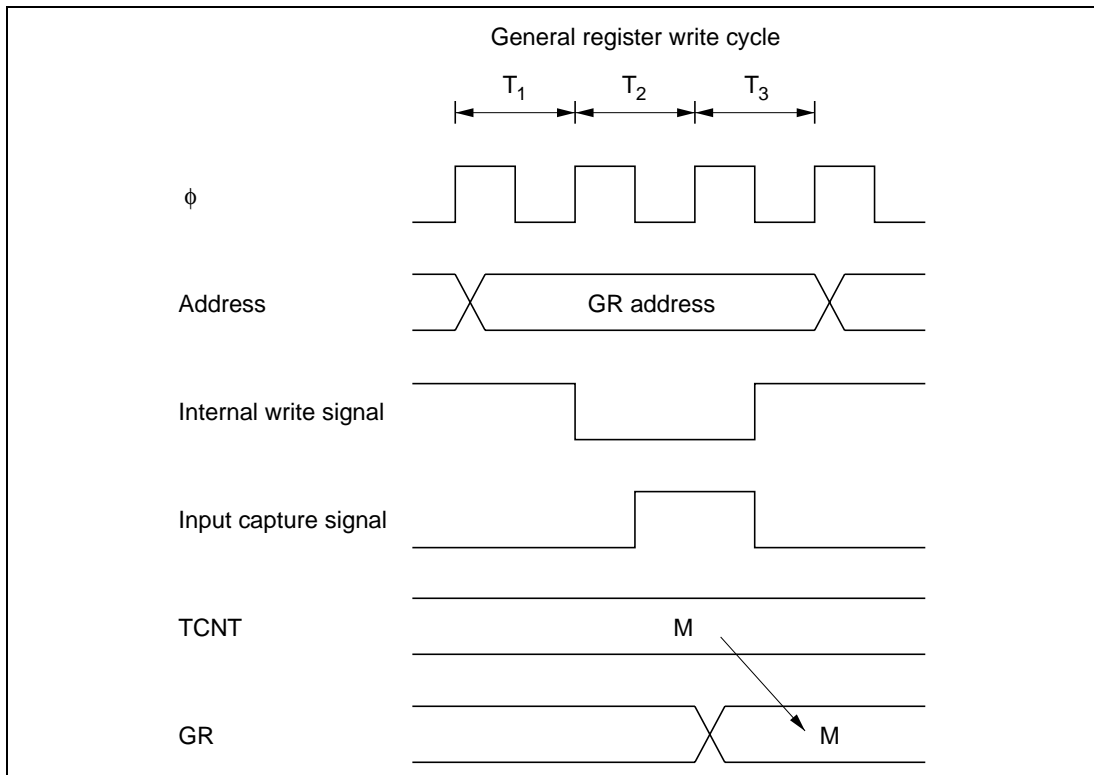


Figure 8.68 Contention between General Register Write and Input Capture

Note on Waveform Period Setting

When a counter is cleared by compare match, the counter is cleared in the last state at which the TCNT value matches the general register value, at the time when this value would normally be updated to the next count. The actual counter frequency is therefore given by the following formula:

$$f = \frac{\phi}{(N + 1)}$$

(f: counter frequency. ϕ : system clock frequency. N: value set in general register.)

Contention between Buffer Register Write and Input Capture

If a buffer register is used for input capture buffering and an input capture signal occurs in the T_3 state of a write cycle, input capture takes priority and the write to the buffer register is not performed. See figure 8.69.

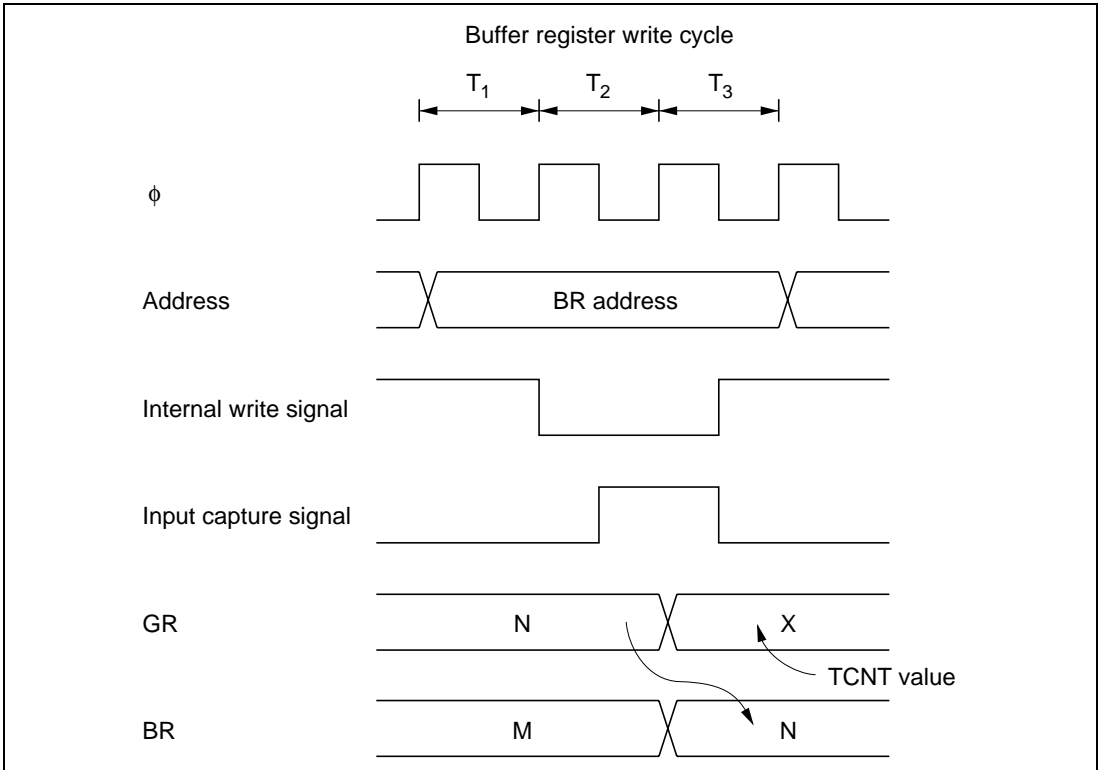


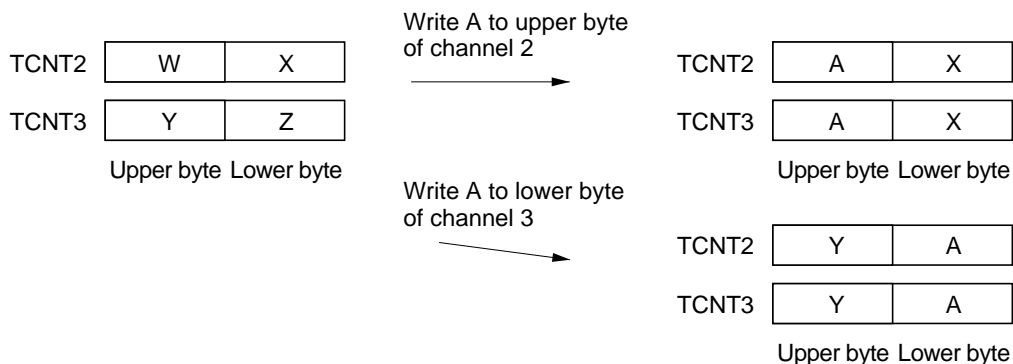
Figure 8.69 Contention between Buffer Register Write and Input Capture

Note on Synchronous Preset

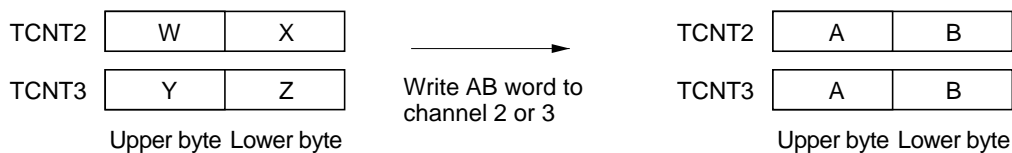
When channels are synchronized, if a TCNT value is modified by byte write access, all 16 bits of all synchronized counters assume the same value as the counter that was addressed.

(Example) When channels 2 and 3 are synchronized

- Byte write to channel 2 or byte write to channel 3



- Word write to channel 2 or word write to channel 3



Note on Setup of Reset-Synchronized PWM Mode and Complementary PWM Mode

When setting bits CMD1 and CMD0 in TFCR, take the following precautions:

- Write to bits CMD1 and CMD0 only when TCNT3 and TCNT4 are stopped.
- Do not switch directly between reset-synchronized PWM mode and complementary PWM mode. First switch to normal mode (by clearing bit CMD1 to 0), then select reset-synchronized PWM mode or complementary PWM mode.

ITU Operating Modes

Table 8.11 (a) ITU Operating Modes (Channel 0)

| Operating Mode | Register Settings | | | | | | | | | | | | | |
|---|----------------------|-----|------|----------|---------------------------|------------------------------------|----------------|------|---------------------------|------------------|--|--|------------------------|-----------------|
| | TSNC | | TMDR | | TFCR | | TOCR | | TOER | | TIOR0 | | TCR0 | |
| | Synchro- nization | MDF | FDIR | PWM | Comple- mentary PWM | Reset- Synchro- nized PWM | Buffer- ing | XTGD | Output Level Select | Master Enable | IOA | IOB | Clear Select | Clock Select |
| Synchronous preset | — | — | — | ○ | — | — | — | — | — | — | ○ | ○ | ○ | ○ |
| PWM mode | ○ | — | — | PWM0 = 1 | — | — | — | — | — | — | — | ○* | ○ | ○ |
| Output compare A | ○ | — | — | PWM0 = 0 | — | — | — | — | — | — | IOA2 = 0 Other bits unrestricted | ○ | ○ | ○ |
| Output compare B | ○ | — | — | ○ | — | — | — | — | — | — | ○ | IOB2 = 0 Other bits unrestricted | ○ | ○ |
| Input capture A | ○ | — | — | PWM0 = 0 | — | — | — | — | — | — | IOA2 = 1 Other bits unrestricted | ○ | ○ | ○ |
| Input capture B | ○ | — | — | PWM0 = 0 | — | — | — | — | — | — | ○ | IOB2 = 1 Other bits unrestricted | ○ | ○ |
| Counter By compare match/input capture A | ○ | — | — | ○ | — | — | — | — | — | — | ○ | ○ | CCLR1 = 0 CCLR0 = 1 | ○ |
| By compare match/input capture B | ○ | — | — | ○ | — | — | — | — | — | — | ○ | ○ | CCLR1 = 1 CCLR0 = 0 | ○ |
| Syn- chronous clear | ○ | — | — | ○ | — | — | — | — | — | — | ○ | ○ | CCLR1 = 1 CCLR0 = 1 | ○ |

Legend: ○: Setting available (valid). —: Setting does not affect this mode.

Note: The input capture function cannot be used in PWM mode. If compare match A and compare match B occur simultaneously, the compare match signal is inhibited.

Table 8.11 (b) ITU Operating Modes (Channel 1)

| Operating Mode | Register Settings | | | | | | | | | | | | | | | |
|---|----------------------|-----|------|----------|---------------------------|------------------------------------|-----------------|------|---------------------------|------------------|--|-----|------------------------|-----------------|------|--|
| | TSNC | | | TMDR | | | TFCR | | | TOER | | | TIOR1 | | TCR1 | |
| | Synchro- nization | MDF | FDJR | PWM | Comple- mentary PWM | Reset- Synchro- nized PWM | Buffer- ing | XTGD | Output Level Select | Master Enable | IOA | IOB | Clear Select | Clock Select | | |
| Synchronous preset | ○ | — | — | ○ | — | — | — | — | — | — | ○ | ○ | ○ | ○ | | |
| PWM mode | ○ | — | — | PWM1 = 1 | — | — | — | — | — | — | ○ ^{*1} | ○ | ○ | ○ | | |
| Output compare A | ○ | — | — | PWM1 = 0 | — | — | — | — | — | — | IOA2 = 0 Other bits unrestricted | ○ | ○ | ○ | | |
| Output compare B | ○ | — | — | ○ | — | — | — | — | — | — | IOB2 = 0 Other bits unrestricted | ○ | ○ | ○ | | |
| Input capture A | ○ | — | — | PWM1 = 0 | — | — | ○ ^{*2} | — | — | — | IOA2 = 1 Other bits unrestricted | ○ | ○ | ○ | | |
| Input capture B | ○ | — | — | PWM1 = 0 | — | — | — | — | — | — | IOB2 = 1 Other bits unrestricted | ○ | ○ | ○ | | |
| Counter By compare match/input clearing capture A | ○ | — | — | ○ | — | — | — | — | — | — | ○ | ○ | CCLR1 = 0 CCLR0 = 1 | ○ | | |
| | ○ | — | — | ○ | — | — | — | — | — | — | ○ | ○ | CCLR1 = 1 CCLR0 = 0 | ○ | | |
| | ○ | — | — | ○ | — | — | — | — | — | — | ○ | ○ | CCLR1 = 1 CCLR0 = 1 | ○ | | |
| Syn- chronous clear | ○ | — | — | ○ | — | — | — | — | — | — | ○ | ○ | CCLR1 = 1 CCLR0 = 1 | ○ | | |

Legend: ○: Setting available (valid). —: Setting does not affect this mode.

Notes: 1. The input capture function cannot be used in PWM mode. If compare match A and compare match B occur simultaneously, the compare match signal is inhibited.
2. Valid only when channels 3 and 4 are operating in complementary PWM mode or reset-synchronized PWM mode.

Table 8.11 (c) ITU Operating Modes (Channel 2)

| Operating Mode | Register Settings | | | | | | | | | | | | | | | |
|--|----------------------|---------|------|----------|---------------------------|------------------------------------|----------------|------|---------------------------|------------------|--|-----|-----------------|-----------------|------|--|
| | TSNC | | | TMDR | | | TFCR | | TOCR | | TOER | | TIOR2 | | TCR2 | |
| | Synchro- nization | MDF | FDIR | PWM | Comple- mentary PWM | Reset- Synchro- nized PWM | Buffer- ing | XTGD | Output Level Select | Master Enable | IOA | IOB | Clear Select | Clock Select | | |
| Synchronous preset | ○ | ○ | — | ○ | — | — | — | — | — | — | ○ | ○ | ○ | ○ | | |
| PWM mode | ○ | ○ | — | PWM2 = 1 | — | — | — | — | — | — | — | ○* | ○ | ○ | | |
| Output compare A | ○ | ○ | — | PWM2 = 0 | — | — | — | — | — | — | IOA2 = 0 Other bits unrestricted | ○ | ○ | ○ | | |
| Output compare B | ○ | ○ | — | ○ | — | — | — | — | — | — | IOB2 = 0 Other bits unrestricted | ○ | ○ | ○ | | |
| Input capture A | ○ | ○ | — | PWM2 = 0 | — | — | — | — | — | — | IOA2 = 1 Other bits unrestricted | ○ | ○ | ○ | | |
| Input capture B | ○ | ○ | — | PWM2 = 0 | — | — | — | — | — | — | IOB2 = 1 Other bits unrestricted | ○ | ○ | ○ | | |
| Counter By compare match/input clearing | ○ | ○ | — | ○ | — | — | — | — | — | — | ○ | ○ | ○ | ○ | | |
| | ○ | ○ | — | ○ | — | — | — | — | — | — | ○ | ○ | ○ | ○ | | |
| | ○ | ○ | — | ○ | — | — | — | — | — | — | ○ | ○ | ○ | ○ | | |
| Syn- chronous clear | ○ | ○ | — | ○ | — | — | — | — | — | — | ○ | ○ | ○ | ○ | | |
| | ○ | ○ | — | ○ | — | — | — | — | — | — | ○ | ○ | ○ | ○ | | |
| Phase counting mode | ○ | MDF = 1 | ○ | ○ | — | — | — | — | — | — | ○ | ○ | ○ | ○ | | |

Legend: ○: Setting available (valid). —: Setting does not affect this mode.

Note: The input capture function cannot be used in PWM mode. If compare match A and compare match B occur simultaneously, the compare match signal is inhibited.

Table 8.11 (d) ITU Operating Modes (Channel 3)

| Operating Mode | Register Settings | | | | | | | | | | | | | | |
|--------------------------------|----------------------|-----|------|-----|--|---------------------------------|-----------|-----------------|---------------------------|---|--|--|------------------------|-----------------|------|
| | TSNC | | TMDR | | Complementary PWM | | TFCR | | TOCR | | TOER | | TIOR3 | | TCCR |
| | Synchro- nization | MDF | FDIR | PWM | Comple- mentary PWM | Reset- Synchro- nized/PWM | Buffering | XTGD | Output Level Select | Master Enable | IOA | IOB | Clear Select | Clock Select | |
| Synchronous preset PWM mode | ○ ^{*3} | — | — | ○ | ○ ^{*3} | ○ | ○ | — | — | ○ ^{*1} | ○ | ○ | ○ | ○ | |
| Output compare A | ○ | — | — | — | CMD1 = 0 CMD1 = 0 | CMD1 = 0 CMD1 = 0 | ○ | — | — | ○ | IOA2 = 0 Other bits unrestricted | ○ ^{*2} | ○ | ○ | |
| Output compare B | ○ | — | — | ○ | CMD1 = 0 | CMD1 = 0 | ○ | — | — | ○ | ○ | IOB2 = 0 Other bits unrestricted | ○ | ○ | |
| Input capture A | ○ | — | — | — | CMD1 = 0 | CMD1 = 0 | ○ | — | — | EA3 ignored Other bits unrestricted | IOA2 = 1 Other bits unrestricted | ○ | ○ | ○ | |
| Input capture B | ○ | — | — | — | CMD1 = 0 | CMD1 = 0 | ○ | — | — | EB3 ignored Other bits unrestricted | IOB2 = 1 Other bits unrestricted | ○ | ○ | ○ | |
| Counter clearing | ○ | — | — | ○ | Illegal setting: CMD1 = 1 CMD0 = 0 | ○ ^{*4} | ○ | — | — | ○ ^{*1} | ○ | ○ | CCLR1 = 0 CCLR0 = 1 | ○ | |
| | ○ | — | — | ○ | CMD1 = 0 | CMD1 = 0 | ○ | — | — | ○ ^{*1} | ○ | ○ | CCLR1 = 1 CCLR0 = 0 | ○ | |
| Complementary PWM mode | ○ ^{*3} | — | — | ○ | Illegal setting: CMD1 = 1 CMD0 = 0 | ○ | ○ | — | — | ○ ^{*1} | ○ | ○ | CCLR1 = 1 CCLR0 = 1 | ○ | |
| | ○ | — | — | — | CMD1 = 1 CMD0 = 0 | CMD1 = 1 CMD0 = 0 | ○ | ○ ^{*6} | ○ | ○ | — | — | CCLR1 = 0 CCLR0 = 0 | ○ ^{*5} | |
| Reset-synchronized PWM mode | ○ | — | — | — | CMD1 = 1 CMD0 = 1 | CMD1 = 1 CMD0 = 1 | ○ | ○ ^{*6} | ○ | ○ | — | — | CCLR1 = 0 CCLR0 = 1 | ○ | |
| Buf feiring (BRA) | ○ | — | — | ○ | ○ | ○ | ○ | — | — | ○ ^{*1} | ○ | ○ | ○ | ○ | |
| Buffering (BRB) | ○ | — | — | ○ | ○ | ○ | ○ | — | — | ○ ^{*1} | ○ | ○ | ○ | ○ | |

Legend: ○: Setting available (valid), —: Setting does not affect this mode.

Notes: 1. Master enable bit settings are valid only during waveform output.

2. The input capture function cannot be used in PWM mode. If compare match A and compare match B occur simultaneously, the compare match signal is inhibited.

3. Do not set both channels 3 and 4 for synchronous operation when complementary PWM mode is selected.

4. The counter cannot be cleared by input capture A when reset-synchronized PWM mode is selected.

5. In complementary PWM mode, select the same clock source for channels 3 and 4.

6. Use the input capture A function in channel 1.

Table 8.11 (e) ITU Operating Modes (Channel 4)

| Operating Mode | Register Settings | | | | | | | | | | | | | |
|--------------------------------|----------------------|-----|------|----------|--|---------------------------------|---------------------------------------|------|---------------------------|---|--|--|------------------------------|-----------------|
| | TSNC | | TMDR | | TFRC | | | TOCR | | TOER | | TIOR4 | | TCR4 |
| | Synchro- nization | MDF | FDIR | PWM | Comple- mentary PWM | Reset- Synchro- nized PWM | Buffering | XTGD | Output Level Select | Master Enable | IOA | IOB | Clear Select | Clock Select |
| Synchronous preset | ○ SYNC4 = 1 | — | — | ○ | ○ ^{*3} | ○ | — | — | — | ○ ^{*1} | ○ | ○ | ○ | ○ |
| PWM mode | ○ | — | — | PWM4 = 1 | CMD1 = 0 | CMD1 = 0 | ○ | — | — | ○ | — | ○ ^{*2} | ○ | ○ |
| Output compare A | ○ | — | — | PWM4 = 0 | CMD1 = 0 | CMD1 = 0 | ○ | — | — | ○ | IOA2 = 0 Other bits unrestricted | ○ | ○ | ○ |
| Output compare B | ○ | — | — | ○ | CMD1 = 0 | CMD1 = 0 | ○ | — | — | ○ | ○ | IOB2 = 0 Other bits unrestricted | ○ | ○ |
| Input capture A | ○ | — | — | PWM4 = 0 | CMD1 = 0 | CMD1 = 0 | ○ | — | — | EA4 ignored Other bits unrestricted | IOA2 = 1 Other bits unrestricted | ○ | ○ | ○ |
| Input capture B | ○ | — | — | PWM4 = 0 | CMD1 = 0 | CMD1 = 0 | ○ | — | — | EB4 ignored Other bits unrestricted | ○ | IOB2 = 1 Other bits unrestricted | ○ | ○ |
| Counter clearing | ○ | — | — | ○ | Illegal setting: CMD1 = 1 CMD0 = 0 | ○ ^{*4} | — | — | — | ○ ^{*1} | ○ | ○ | CCLR1 = 0 CCLR0 = 1 | ○ |
| | | | | | | | | | | | | | | |
| Syn- chronous clear | ○ | — | — | ○ | Illegal setting: CMD1 = 1 CMD0 = 0 | ○ ^{*4} | — | — | — | ○ ^{*1} | ○ | ○ | CCLR1 = 1 CCLR0 = 0 | ○ |
| | | | | | | | | | | | | | | |
| Complementary PWM mode | ○ ^{*3} | — | — | — | CMD1 = 1 CMD0 = 0 | CMD1 = 1 CMD0 = 0 | ○ | ○ | ○ | ○ | — | — | ○ ^{*5} CCLR0 = 0 | ○ |
| Reset-synchronized PWM mode | ○ | — | — | — | CMD0 = 1 CMD1 = 1 | CMD0 = 1 CMD1 = 1 | ○ | ○ | ○ | ○ | — | — | ○ ^{*6} | ○ |
| Buffering (BRA) | ○ | — | — | ○ | ○ | ○ | BF4 = 1 Other bits unrestricted | — | — | ○ ^{*1} | ○ | ○ | ○ | ○ |
| Buffering (BRB) | ○ | — | — | ○ | ○ | ○ | BF4 = 1 Other bits unrestricted | — | — | ○ ^{*1} | ○ | ○ | ○ | ○ |

Legend: ○: Setting available (valid) —: Setting does not affect this mode.

Notes: 1. Master enable bit settings are valid only during waveform output.

2. The input capture function cannot be used in PWM mode. If compare match A and compare match B occur simultaneously, the compare match signal is inhibited.

3. Do not set both channels 3 and 4 for synchronous operation when complementary PWM mode is selected.

4. When reset-synchronized PWM mode is selected, TCNT4 operates independently, and the counter clearing function is available. Waveform output is not affected.

5. In complementary PWM mode, select the same clock source for channels 3 and 4.

6. TCR4 settings are valid in reset-synchronized PWM mode, but TCNT4 operates independently, without affecting waveform output.

Section 9 Programmable Timing Pattern Controller

9.1 Overview

The H8/3039 Group has a built-in programmable timing pattern controller (TPC)* that provides pulse outputs by using the 16-bit integrated timer-pulse unit (ITU) as a time base. The TPC pulse outputs are divided into 4-bit groups (group 3 to group 0) that can operate simultaneously and independently.

9.1.1 Features

TPC features are listed below.

- 15-bit output data
Maximum 15-bit data can be output. TPC output can be enabled on a bit-by-bit basis.
- Four output groups and one 3-bit output.
Output trigger signals can be selected in 4-bit groups to provide up to three different 4-bit outputs and one 3-bit output.
- Selectable output trigger signals
Output trigger signals can be selected for each group from the compare-match signals of four ITU channels.
- Non-overlap mode
A non-overlap margin can be provided between pulse outputs.

Note: * Note that since this LSI does not have a TP₁₄ pin, it is a 15-bit programmable timing pattern controller (TPC).

9.1.2 Block Diagram

Figure 9.1 shows a block diagram of the TPC.

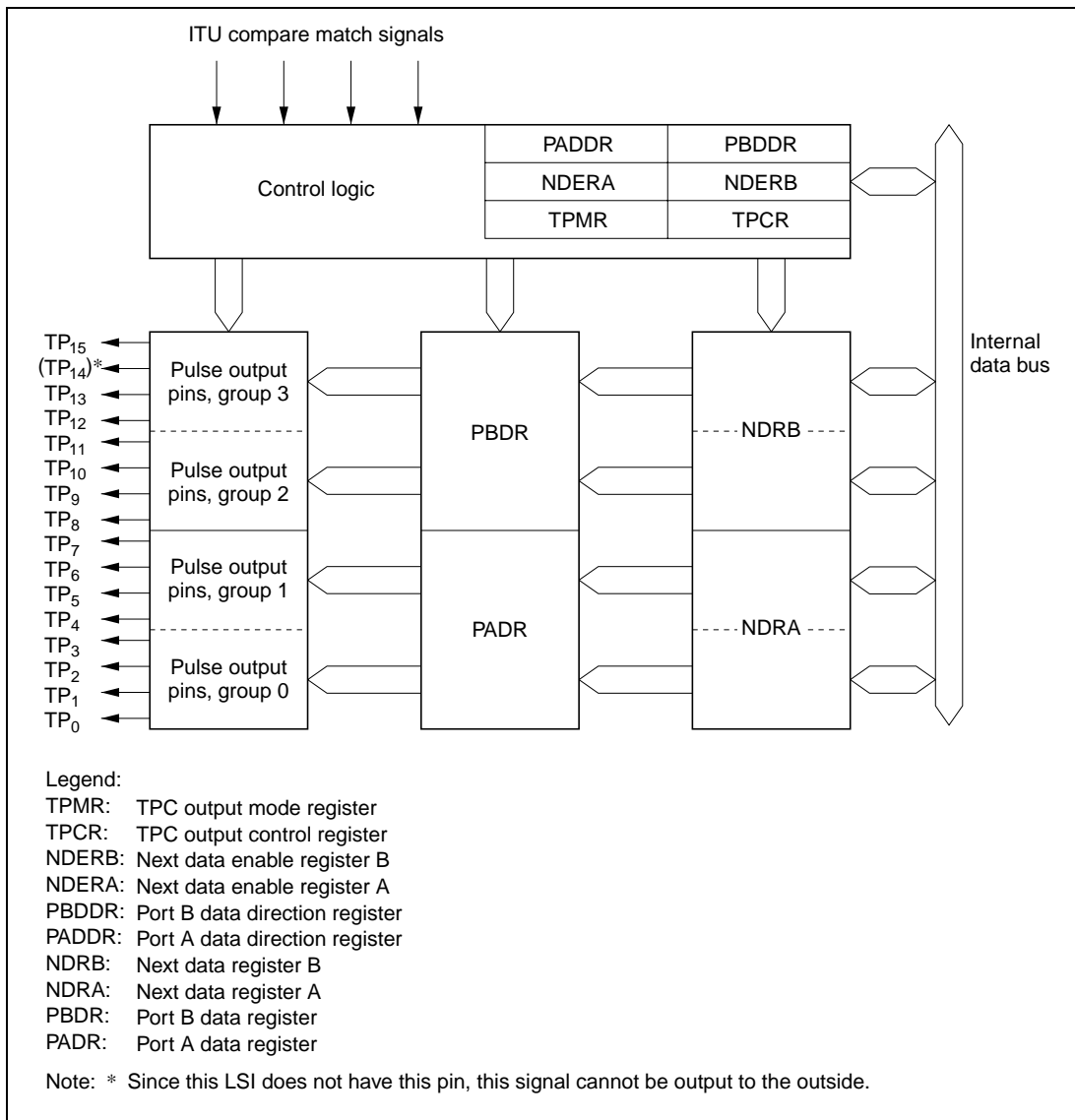


Figure 9.1 TPC Block Diagram

9.1.3 TPC Pins

Table 9.1 summarizes the TPC output pins.

Table 9.1 TPC Pins

| Name | Symbol | I/O | Function |
|------------------|----------------------|-----------|----------------------|
| TPC output 0 | TP ₀ | Output | Group 0 pulse output |
| TPC output 1 | TP ₁ | Output | |
| TPC output 2 | TP ₂ | Output | |
| TPC output 3 | TP ₃ | Output | |
| TPC output 4 | TP ₄ | Output | Group 1 pulse output |
| TPC output 5 | TP ₅ | Output | |
| TPC output 6 | TP ₆ | Output | |
| TPC output 7 | TP ₇ | Output | Group 2 pulse output |
| TPC output 8 | TP ₈ | Output | |
| TPC output 9 | TP ₉ | Output | |
| TPC output 10 | TP ₁₀ | Output | |
| TPC output 11 | TP ₁₁ | Output | Group 3 pulse output |
| TPC output 12 | TP ₁₂ | Output | |
| TPC output 13 | TP ₁₃ | Output | |
| (TPC output 14)* | (TP ₁₄)* | (Output)* | |
| TPC output 15 | TP ₁₅ | Output | |

Note: * Since this LSI does not have this pin, this signal cannot be output to the outside.

9.1.4 Registers

Table 9.2 summarizes the TPC registers.

Table 9.2 TPC Registers

| Address* ¹ | Name | Abbreviation | R/W | Initial Value |
|---------------------------------|--------------------------------|--------------|---------------------|---------------|
| H'FFD1 | Port A data direction register | PADDR | W | H'00 |
| H'FFD3 | Port A data register | PADR | R/(W)* ² | H'00 |
| H'FFD4 | Port B data direction register | PBDDR | W | H'00 |
| H'FFD6 | Port B data register | PBDR | R/(W)* ² | H'00 |
| H'FFA0 | TPC output mode register | TPMR | R/W | H'F0 |
| H'FFA1 | TPC output control register | TPCR | R/W | H'FF |
| H'FFA2 | Next data enable register B | NDERB | R/W | H'00 |
| H'FFA3 | Next data enable register A | NDERA | R/W | H'00 |
| H'FFA5/ H'FFA7* ³ | Next data register A | NDRA | R/W | H'00 |
| H'FFA4/ H'FFA6* ³ | Next data register B | NDRB | R/W | H'00 |

Notes: 1. Lower 16 bits of the address.

2. Bits used for TPC output cannot be written.

3. The NDRA address is H'FFA5 when the same output trigger is selected for TPC output groups 0 and 1 by settings in TPCR. When the output triggers are different, the NDRA address is H'FFA7 for group 0 and H'FFA5 for group 1. Similarly, the address of NDRB is H'FFA4 when the same output trigger is selected for TPC output groups 2 and 3 by settings in TPCR. When the output triggers are different, the NDRB address is H'FFA6 for group 2 and H'FFA4 for group 3.

9.2 Register Descriptions

9.2.1 Port A Data Direction Register (PADDR)

PADDR is an 8-bit write-only register that selects input or output for each pin in port A.

| | | | | | | | | |
|---------------|---------------------|---------------------|---------------------|---------------------|---------------------|---------------------|---------------------|---------------------|
| Bit | 7 | 6 | 5 | 4 | 3 | 2 | 1 | 0 |
| | PA ₇ DDR | PA ₆ DDR | PA ₅ DDR | PA ₄ DDR | PA ₃ DDR | PA ₂ DDR | PA ₁ DDR | PA ₀ DDR |
| Initial value | 0 | 0 | 0 | 0 | 0 | 0 | 0 | 0 |
| Read/Write | W | W | W | W | W | W | W | W |

Port A data direction 7 to 0

These bits select input or output for port A pins

Port A is multiplexed with pins TP₇ to TP₀. Bits corresponding to pins used for TPC output must be set to 1. For further information about PADDR, see section 7.10, Port A.

9.2.2 Port A Data Register (PADR)

PADR is an 8-bit readable/writable register that stores TPC output data for groups 0 and 1, when these TPC output groups are used.

| | | | | | | | | |
|---------------|-----------------|-----------------|-----------------|-----------------|-----------------|-----------------|-----------------|-----------------|
| Bit | 7 | 6 | 5 | 4 | 3 | 2 | 1 | 0 |
| | PA ₇ | PA ₆ | PA ₅ | PA ₄ | PA ₃ | PA ₂ | PA ₁ | PA ₀ |
| Initial value | 0 | 0 | 0 | 0 | 0 | 0 | 0 | 0 |
| Read/Write | R/(W)* | R/(W)* | R/(W)* | R/(W)* | R/(W)* | R/(W)* | R/(W)* | R/(W)* |

Port A data 7 to 0

These bits store output data for TPC output groups 0 and 1

Note: * Bits selected for TPC output by NDERA settings become read-only bits.

For further information about PADR, see section 7.10, Port A.

9.2.3 Port B Data Direction Register (PBDDR)

PBDDR is an 8-bit write-only register that selects input or output for each pin in port B.

| Bit | 7 | 6 | 5 | 4 | 3 | 2 | 1 | 0 |
|---------------|---------------------|---|---------------------|---------------------|---------------------|---------------------|---------------------|---------------------|
| | PB ₇ DDR | — | PB ₅ DDR | PB ₄ DDR | PB ₃ DDR | PB ₂ DDR | PB ₁ DDR | PB ₀ DDR |
| Initial value | 0 | 0 | 0 | 0 | 0 | 0 | 0 | 0 |
| Read/Write | W | W | W | W | W | W | W | W |

Port B data direction 7, 5 to 0
These bits select input or output for port B pins

Port B is multiplexed with pins TP₁₅, TP₁₃ to TP₈. Bits corresponding to pins used for TPC output must be set to 1. For further information about PBDDR, see section 7.11, Port B.

9.2.4 Port B Data Register (PBDR)

PBDR is an 8-bit readable/writable register that stores TPC output data for groups 2 and 3, when these TPC output groups are used.

| Bit | 7 | 6 | 5 | 4 | 3 | 2 | 1 | 0 |
|---------------|-----------------|--------|-----------------|-----------------|-----------------|-----------------|-----------------|-----------------|
| | PB ₇ | — | PB ₅ | PB ₄ | PB ₃ | PB ₂ | PB ₁ | PB ₀ |
| Initial value | 0 | 0 | 0 | 0 | 0 | 0 | 0 | 0 |
| Read/Write | R/(W)* | R/(W)* | R/(W)* | R/(W)* | R/(W)* | R/(W)* | R/(W)* | R/(W)* |

Port B data 7, 5 to 0
These bits store output data for TPC output groups 2 and 3

Note: * Bits selected for TPC output by NDERB settings become read-only bits.

For further information about PBDR, see section 7.11, Port B.

9.2.5 Next Data Register A (NDRA)

NDRA is an 8-bit readable/writable register that stores the next output data for TPC output groups 1 and 0 (pins TP₇ to TP₀). During TPC output, when an ITU compare match event specified in TPCR occurs, NDRA contents are transferred to the corresponding bits in PADR. The address of NDRA differs depending on whether TPC output groups 0 and 1 have the same output trigger or different output triggers.

NDRA is initialized to H'00 by a reset and in hardware standby mode. It is not initialized in software standby mode.

Same Trigger for TPC Output Groups 0 and 1

If TPC output groups 0 and 1 are triggered by the same compare match event, the NDRA address is H'FFA5. The upper 4 bits belong to group 1 and the lower 4 bits to group 0. Address H'FFA7 consists entirely of reserved bits that cannot be modified and always read 1.

Address H'FFA5

| Bit | 7 | 6 | 5 | 4 | 3 | 2 | 1 | 0 |
|---------------|---|------|------|------|---|------|------|------|
| | NDR7 | NDR6 | NDR5 | NDR4 | NDR3 | NDR2 | NDR1 | NDR0 |
| Initial value | 0 | 0 | 0 | 0 | 0 | 0 | 0 | 0 |
| Read/Write | R/W | R/W | R/W | R/W | R/W | R/W | R/W | R/W |
| | Next data 7 to 4 These bits store the next output data for TPC output group 1 | | | | Next data 3 to 0 These bits store the next output data for TPC output group 0 | | | |

Address H'FFA7

| Bit | 7 | 6 | 5 | 4 | 3 | 2 | 1 | 0 |
|---------------|----------------------|---|---|---|---|---|---|---|
| | — | — | — | — | — | — | — | — |
| Initial value | 1 | 1 | 1 | 1 | 1 | 1 | 1 | 1 |
| Read/Write | — | — | — | — | — | — | — | — |
| | Reserved bits | | | | | | | |

Different Triggers for TPC Output Groups 0 and 1

If TPC output groups 0 and 1 are triggered by different compare match events, the address of the upper 4 bits of NDRA (group 1) is H'FFA5 and the address of the lower 4 bits (group 0) is H'FFA7. Bits 3 to 0 of address H'FFA5 and bits 7 to 4 of address H'FFA7 are reserved bits that cannot be modified and always read 1.

Address H'FFA5

| Bit | 7 | 6 | 5 | 4 | 3 | 2 | 1 | 0 |
|---------------|------|------|------|------|---|---|---|---|
| | NDR7 | NDR6 | NDR5 | NDR4 | — | — | — | — |
| Initial value | 0 | 0 | 0 | 0 | 1 | 1 | 1 | 1 |
| Read/Write | R/W | R/W | R/W | R/W | — | — | — | — |

Next data 7 to 4
Reserved bits

These bits store the next output data for TPC output group 1

Address H'FFA7

| Bit | 7 | 6 | 5 | 4 | 3 | 2 | 1 | 0 |
|---------------|---|---|---|---|------|------|------|------|
| | — | — | — | — | NDR3 | NDR2 | NDR1 | NDR0 |
| Initial value | 1 | 1 | 1 | 1 | 0 | 0 | 0 | 0 |
| Read/Write | — | — | — | — | R/W | R/W | R/W | R/W |

Reserved bits
Next data 3 to 0

These bits store the next output data for TPC output group 0

9.2.6 Next Data Register B (NDRB)

NDRB is an 8-bit readable/writable register that stores the next output data for TPC output groups 3 and 2 (pins TP₁₅ to TP₈)*. During TPC output, when an ITU compare match event specified in TPCR occurs, NDRB contents are transferred to the corresponding bits in PBDR. The address of NDRB differs depending on whether TPC output groups 2 and 3 have the same output trigger or different output triggers.

NDRB is initialized to H'00 by a reset and in hardware standby mode. It is not initialized in software standby mode.

Note: * Since this LSI does not have a TP₁₄ pin, the TP₁₄ signal cannot be output to the outside.

Same Trigger for TPC Output Groups 2 and 3

If TPC output groups 2 and 3 are triggered by the same compare match event, the NDRB address is H'FFA4. The upper 4 bits belong to group 3 and the lower 4 bits to group 2. Address H'FFA6 consists entirely of reserved bits that cannot be modified and always read 1.

Address H'FFA4

| Bit | 7 | 6 | 5 | 4 | 3 | 2 | 1 | 0 |
|---------------|-------|-------|-------|-------|-------|-------|------|------|
| | NDR15 | NDR14 | NDR13 | NDR12 | NDR11 | NDR10 | NDR9 | NDR8 |
| Initial value | 0 | 0 | 0 | 0 | 0 | 0 | 0 | 0 |
| Read/Write | R/W | R/W | R/W | R/W | R/W | R/W | R/W | R/W |

Next data 15 to 12
These bits store the next output data for TPC output group 3

Next data 11 to 8
These bits store the next output data for TPC output group 2

Address H'FFA6

| Bit | 7 | 6 | 5 | 4 | 3 | 2 | 1 | 0 |
|---------------|---|---|---|---|---|---|---|---|
| | — | — | — | — | — | — | — | — |
| Initial value | 1 | 1 | 1 | 1 | 1 | 1 | 1 | 1 |
| Read/Write | — | — | — | — | — | — | — | — |

Reserved bits

Different Triggers for TPC Output Groups 2 and 3

If TPC output groups 2 and 3 are triggered by different compare match events, the address of the upper 4 bits of NDRB (group 3)* is H'FFA4 and the address of the lower 4 bits (group 2) is H'FFA6. Bits 3 to 0 of address H'FFA4 and bits 7 to 4 of address H'FFA6 are reserved bits that cannot be modified and always read 1.

Note: * Since this LSI does not have a TP₁₄ pin, the TP₁₄ signal cannot be output off-chip.

Address H'FFA4

| Bit | 7 | 6 | 5 | 4 | 3 | 2 | 1 | 0 |
|---------------|-------|-------|-------|-------|---|---|---|---|
| | NDR15 | NDR14 | NDR13 | NDR12 | — | — | — | — |
| Initial value | 0 | 0 | 0 | 0 | 1 | 1 | 1 | 1 |
| Read/Write | R/W | R/W | R/W | R/W | — | — | — | — |

Next data 15 to 12
Reserved bits

These bits store the next output data for TPC output group 3

Address H'FFA6

| Bit | 7 | 6 | 5 | 4 | 3 | 2 | 1 | 0 |
|---------------|---|---|---|---|-------|-------|------|------|
| | — | — | — | — | NDR11 | NDR10 | NDR9 | NDR8 |
| Initial value | 1 | 1 | 1 | 1 | 0 | 0 | 0 | 0 |
| Read/Write | — | — | — | — | R/W | R/W | R/W | R/W |

Reserved bits
Next data 11 to 8

These bits store the next output data for TPC output group 2

9.2.7 Next Data Enable Register A (NDERA)

NDERA is an 8-bit readable/writable register that enables or disables TPC output groups 1 and 0 (TP₇ to TP₀) on a bit-by-bit basis.

| | | | | | | | | |
|---------------|-------|-------|-------|-------|-------|-------|-------|-------|
| Bit | 7 | 6 | 5 | 4 | 3 | 2 | 1 | 0 |
| | NDER7 | NDER6 | NDER5 | NDER4 | NDER3 | NDER2 | NDER1 | NDER0 |
| Initial value | 0 | 0 | 0 | 0 | 0 | 0 | 0 | 0 |
| Read/Write | R/W | R/W | R/W | R/W | R/W | R/W | R/W | R/W |

Next data enable 7 to 0

These bits enable or disable
TPC output groups 1 and 0

If a bit is enabled for TPC output by NDERA, then when the ITU compare match event selected in the TPC output control register (TPCR) occurs, the NDRA value is automatically transferred to the corresponding PADR bit, updating the output value. If TPC output is disabled, the bit value is not transferred from NDRA to PADR and the output value does not change.

NDERA is initialized to H'00 by a reset and in hardware standby mode. It is not initialized in software standby mode.

Bits 7 to 0—Next Data Enable 7 to 0 (NDER7 to NDER0): These bits enable or disable TPC output groups 1 and 0 (TP₇ to TP₀) on a bit-by-bit basis.

Bits 7 to 0

| NDER7 to NDER0 | Description |
|----------------|--|
| 0 | TPC outputs TP ₇ to TP ₀ are disabled (NDR ₇ to NDR ₀ are not transferred to PA ₇ to PA ₀) (Initial value) |
| 1 | TPC outputs TP ₇ to TP ₀ are enabled (NDR ₇ to NDR ₀ are transferred to PA ₇ to PA ₀) |

9.2.8 Next Data Enable Register B (NDERB)

NDERB is an 8-bit readable/writable register that enables or disables TPC output groups 3 and 2 (TP₁₅ to TP₈)* on a bit-by-bit basis.

| | | | | | | | | |
|---------------|--------|--------|--------|--------|--------|--------|-------|-------|
| Bit | 7 | 6 | 5 | 4 | 3 | 2 | 1 | 0 |
| | NDER15 | NDER14 | NDER13 | NDER12 | NDER11 | NDER10 | NDER9 | NDER8 |
| Initial value | 0 | 0 | 0 | 0 | 0 | 0 | 0 | 0 |
| Read/Write | R/W | R/W | R/W | R/W | R/W | R/W | R/W | R/W |

Next data enable 15 to 8
These bits enable or disable
TPC output groups 3 and 2

If a bit is enabled for TPC output by NDERB, then when the ITU compare match event selected in the TPC output control register (TPCR) occurs, the NDRB value is automatically transferred to the corresponding PBDR bit, updating the output value. If TPC output is disabled, the bit value is not transferred from NDRB to PBDR and the output value does not change.

NDERB is initialized to H'00 by a reset and in hardware standby mode. It is not initialized in software standby mode.

Bits 7 to 0—Next Data Enable 15 to 8 (NDER15 to NDER8): These bits enable or disable TPC output groups 3 and 2 (TP₁₅ to TP₈)* on a bit-by-bit basis.

Bits 7 to 0

NDER15 to NDER8 Description

| | | |
|---|--|-----------------|
| 0 | TPC outputs TP ₁₅ to TP ₈ are disabled (NDR15 to NDR8 are not transferred to PB ₇ to PB ₀) | (Initial value) |
| 1 | TPC outputs TP ₁₅ to TP ₈ are enabled (NDR15 to NDR8 are transferred to PB ₇ to PB ₀) | |

Note: * Since this LSI does not have a TP₁₄ pin, the TP₁₄ signal cannot be output to the outside.

9.2.9 TPC Output Control Register (TPCR)

TPCR is an 8-bit readable/writable register that selects output trigger signals for TPC outputs on a group-by-group basis.

| Bit | 7 | 6 | 5 | 4 | 3 | 2 | 1 | 0 |
|---------------|--------|--------|--------|--------|--------|--------|--------|--------|
| | G3CMS1 | G3CMS0 | G2CMS1 | G2CMS0 | G1CMS1 | G1CMS0 | G0CMS1 | G0CMS0 |
| Initial value | 1 | 1 | 1 | 1 | 1 | 1 | 1 | 1 |
| Read/Write | R/W | R/W | R/W | R/W | R/W | R/W | R/W | R/W |

Group 3 compare match select 1 and 0
These bits select the compare match event that triggers TPC output group 3 (TP₁₅ to TP₁₂)*

Group 2 compare match select 1 and 0
These bits select the compare match event that triggers TPC output group 2 (TP₁₁ to TP₈)

Group 1 compare match select 1 and 0
These bits select the compare match event that triggers TPC output group 1 (TP₇ to TP₄)

Group 0 compare match select 1 and 0
These bits select the compare match event that triggers TPC output group 0 (TP₃ to TP₀)

Note: * Since this LSI does not have a TP₁₄ pin, the TP₁₄ signal cannot be output to the outside.

TPCR is initialized to H'FF by a reset and in hardware standby mode. It is not initialized in software standby mode.

Bits 7 and 6—Group 3 Compare Match Select 1 and 0 (G3CMS1, G3CMS0): These bits select the compare match event that triggers TPC output group 3 (TP₁₅ to TP₁₂)*.

| Bit 7 G3CMS1 | Bit6 G3CMS0 | Description |
|-----------------|----------------|---|
| 0 | 0 | TPC output group 3 (TP ₁₅ to TP ₁₂)* is triggered by compare match in ITU channel 0 |
| | 1 | TPC output group 3 (TP ₁₅ to TP ₁₂)* is triggered by compare match in ITU channel 1 |
| 1 | 0 | TPC output group 3 (TP ₁₅ to TP ₁₂)* is triggered by compare match in ITU channel 2 |
| | 1 | TPC output group 3 (TP ₁₅ to TP ₁₂)* is triggered by compare match in ITU channel 3 (Initial value) |

Note: * Since this LSI does not have a TP₁₄ pin, the TP₁₄ signal cannot be output off-chip.

Bits 5 and 4—Group 2 Compare Match Select 1 and 0 (G2CMS1, G2CMS0): These bits select the compare match event that triggers TPC output group 2 (TP₁₁ to TP₈).

| Bit 5 G2CMS1 | Bit4 G2CMS0 | Description |
|-----------------|----------------|---|
| 0 | 0 | TPC output group 2 (TP ₁₁ to TP ₈) is triggered by compare match in ITU channel 0 |
| | 1 | TPC output group 2 (TP ₁₁ to TP ₈) is triggered by compare match in ITU channel 1 |
| 1 | 0 | TPC output group 2 (TP ₁₁ to TP ₈) is triggered by compare match in ITU channel 2 |
| | 1 | TPC output group 2 (TP ₁₁ to TP ₈) is triggered by compare match in ITU channel 3 (Initial value) |

Bits 3 and 2—Group 1 Compare Match Select 1 and 0 (G1CMS1, G1CMS0): These bits select the compare match event that triggers TPC output group 1 (TP₇ to TP₄).

| Bit 3 G1CMS1 | Bit2 G1CMS0 | Description |
|-----------------|----------------|--|
| 0 | 0 | TPC output group 1 (TP ₇ to TP ₄) is triggered by compare match in ITU channel 0 |
| | 1 | TPC output group 1 (TP ₇ to TP ₄) is triggered by compare match in ITU channel 1 |
| 1 | 0 | TPC output group 1 (TP ₇ to TP ₄) is triggered by compare match in ITU channel 2 |
| | 1 | TPC output group 1 (TP ₇ to TP ₄) is triggered by compare match in ITU channel 3 (Initial value) |

Bits 1 and 0—Group 0 Compare Match Select 1 and 0 (G0CMS1, G0CMS0): These bits select the compare match event that triggers TPC output group 0 (TP₃ to TP₀).

| Bit1 G0CMS1 | Bit0 G0CMS0 | Description |
|----------------|----------------|--|
| 0 | 0 | TPC output group 0 (TP ₃ to TP ₀) is triggered by compare match in ITU channel 0 |
| | 1 | TPC output group 0 (TP ₃ to TP ₀) is triggered by compare match in ITU channel 1 |
| 1 | 0 | TPC output group 0 (TP ₃ to TP ₀) is triggered by compare match in ITU channel 2 |
| | 1 | TPC output group 0 (TP ₃ to TP ₀) is triggered by compare match in ITU channel 3 (Initial value) |

9.2.10 TPC Output Mode Register (TPMR)

TPMR is an 8-bit readable/writable register that selects normal or non-overlapping TPC output for each group.

| Bit | 7 | 6 | 5 | 4 | 3 | 2 | 1 | 0 |
|---------------|---|---|---|---|-------|-------|-------|-------|
| | — | — | — | — | G3NOV | G2NOV | G1NOV | G0NOV |
| Initial value | 1 | 1 | 1 | 1 | 0 | 0 | 0 | 0 |
| Read/Write | — | — | — | — | R/W | R/W | R/W | R/W |

Reserved bits

Group 3 non-overlap
Selects non-overlapping TPC output for group 3 (TP₁₅ to TP₁₂)*

Group 2 non-overlap
Selects non-overlapping TPC output for group 2 (TP₁₁ to TP₈)

Group 1 non-overlap
Selects non-overlapping TPC output for group 1 (TP₇ to TP₄)

Group 0 non-overlap
Selects non-overlapping TPC output for group 0 (TP₃ to TP₀)

Note: * Since this LSI does not have a TP₁₄ pin, the TP₁₄ signal cannot be output to the outside.

The output trigger period of a non-overlapping TPC output waveform is set in general register B (GRB) in the ITU channel selected for output triggering. The non-overlap margin is set in general register A (GRA). The output values change at compare match A and B. For details see section 9.3.4, Non-Overlapping TPC Output.

TPMR is initialized to H'F0 by a reset and in hardware standby mode. It is not initialized in software standby mode.

Bits 7 to 4—Reserved: These bits cannot be modified and are always read as 1.

Bit 3—Group 3 Non-Overlap (G3NOV): Selects normal or non-overlapping TPC output for group 3 (TP₁₅ to TP₁₂)*.

Note: * Since this LSI does not have a TP₁₄ pin, the TP₁₄ signal cannot be output off-chip.

Bit 3

| G3NOV | Description |
|--------------|---|
| 0 | Normal TPC output in group 3 (output values change at compare match A in the selected ITU channel) (Initial value) |
| 1 | Non-overlapping TPC output in group 3 (independent 1 and 0 output at compare match A and B in the selected ITU channel) |

Bit 2—Group 2 Non-Overlap (G2NOV): Selects normal or non-overlapping TPC output for group 2 (TP₁₁ to TP₈).

Bit 2

| G2NOV | Description |
|--------------|---|
| 0 | Normal TPC output in group 2 (output values change at compare match A in the selected ITU channel) (Initial value) |
| 1 | Non-overlapping TPC output in group 2 (independent 1 and 0 output at compare match A and B in the selected ITU channel) |

Bit 1—Group 1 Non-Overlap (G1NOV): Selects normal or non-overlapping TPC output for group 1 (TP₇ to TP₄).

Bit 1

| G1NOV | Description |
|--------------|---|
| 0 | Normal TPC output in group 1 (output values change at compare match A in the selected ITU channel) (Initial value) |
| 1 | Non-overlapping TPC output in group 1 (independent 1 and 0 output at compare match A and B in the selected ITU channel) |

Bit 0—Group 0 Non-Overlap (G0NOV): Selects normal or non-overlapping TPC output for group 0 (TP₃ to TP₀).

| Bit 0 G0NOV | Description |
|----------------|---|
| 0 | Normal TPC output in group 0 (output values change at compare match A in the selected ITU channel) (Initial value) |
| 1 | Non-overlapping TPC output in group 0 (independent 1 and 0 output at compare match A and B in the selected ITU channel) |

9.3 Operation

9.3.1 Overview

When corresponding bits in PADDR or PBDDR and NDERA or NDERB are set to 1, TPC output is enabled. The TPC output initially consists of the corresponding PADDR or PBDDR contents. When a compare-match event selected in TPCR occurs, the corresponding NDRA or NDRB bit contents are transferred to PADDR or PBDDR to update the output values.

Figure 9.2 illustrates the TPC output operation. Table 9.3 summarizes the TPC operating conditions.

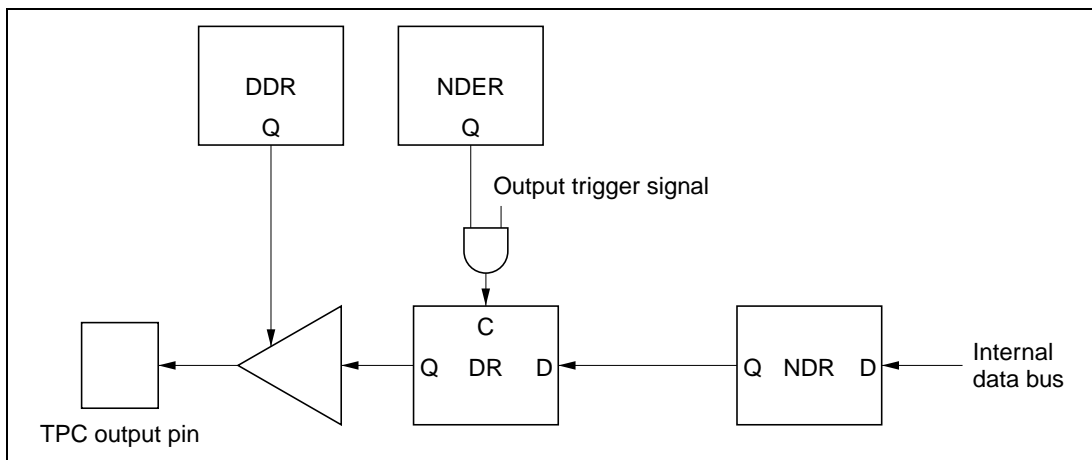


Figure 9.2 TPC Output Operation

Table 9.3 TPC Operating Conditions

| NDER | DDR | Pin Function |
|------|-----|---|
| 0 | 0 | Generic input port |
| | 1 | Generic output port |
| 1 | 0 | Generic input port (but the DR bit is a read-only bit, and when compare match occurs, the NDR bit value is transferred to the DR bit) |
| | 1 | TPC pulse output |

Sequential output of up to 16-bit patterns is possible by writing new output data to NDRA and NDRB before the next compare match. For information on non-overlapping operation, see section 9.3.4, Non-Overlapping TPC Output.

9.3.2 Output Timing

If TPC output is enabled, NDRA/NDRB contents are transferred to PADR/PBDR and output when the selected compare match event occurs. Figure 9.3 shows the timing of these operations for the case of normal output in groups 0 and 1, triggered by compare match A.

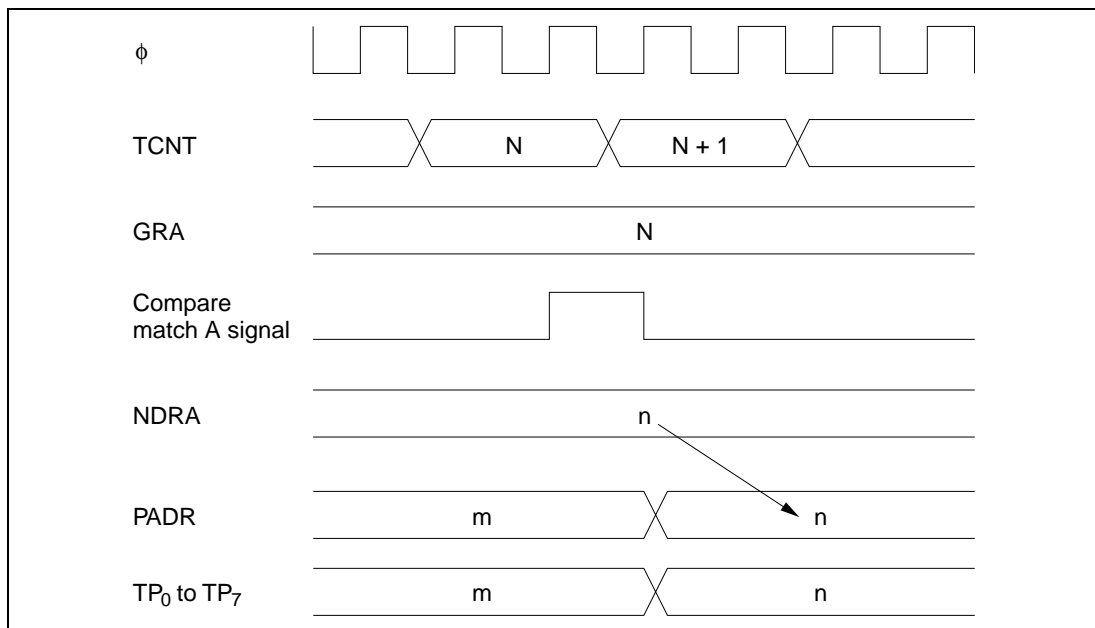


Figure 9.3 Timing of Transfer of Next Data Register Contents and Output (Example)

9.3.3 Normal TPC Output

Sample Setup Procedure for Normal TPC Output

Figure 9.4 shows a sample procedure for setting up normal TPC output.

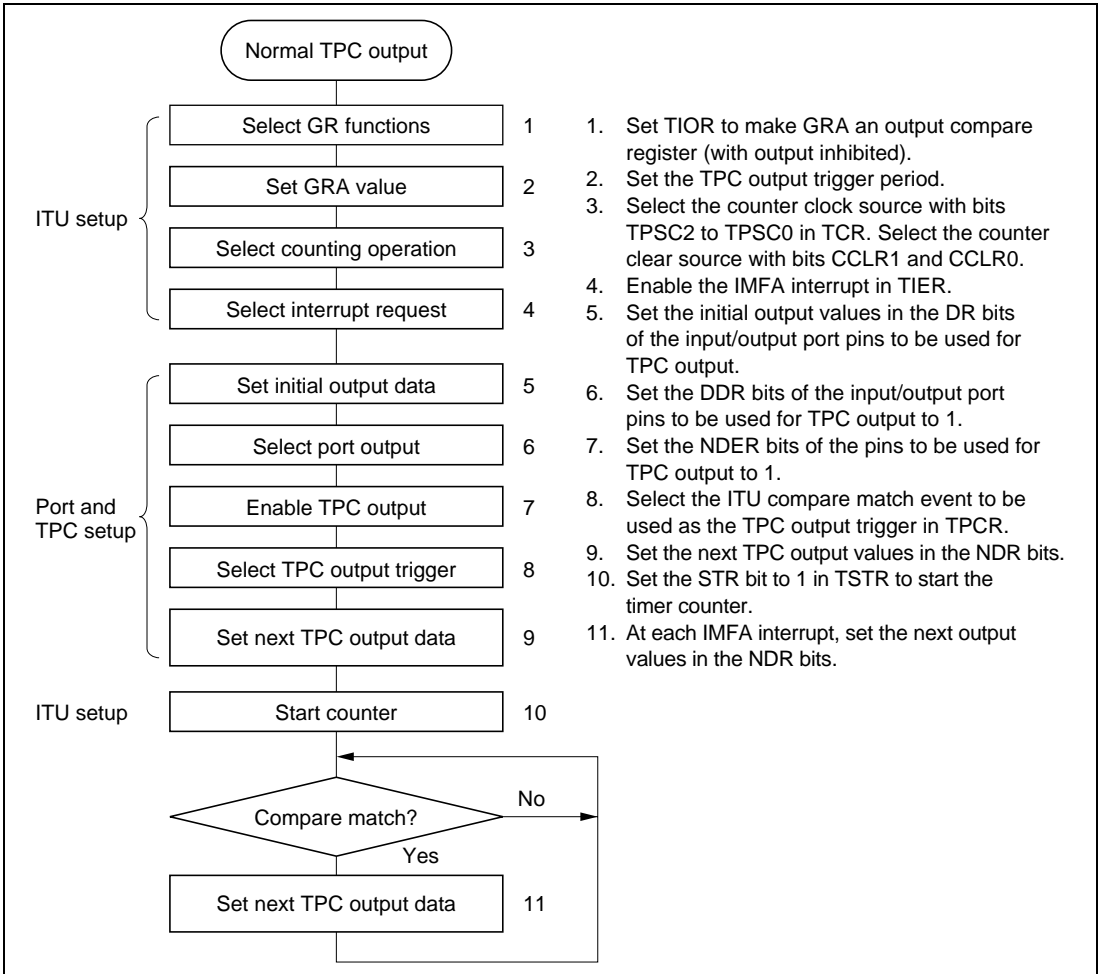


Figure 9.4 Setup Procedure for Normal TPC Output (Example)

Example of Normal TPC Output (Example of Five-Phase Pulse Output)

Figure 9.5 shows an example in which the TPC is used for cyclic five-phase pulse output.

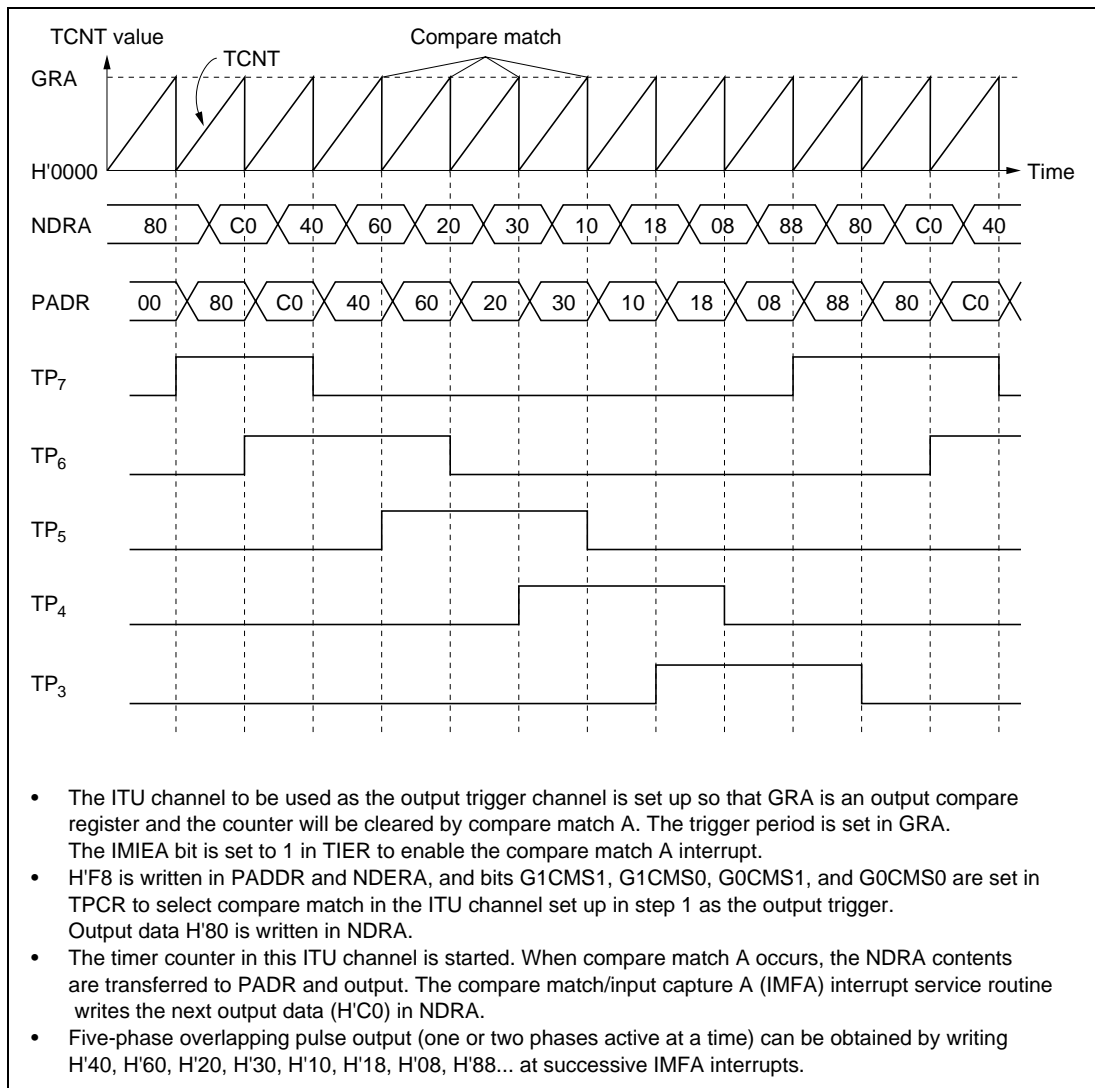


Figure 9.5 Normal TPC Output Example (Five-Phase Pulse Output)

9.3.4 Non-Overlapping TPC Output

Sample Setup Procedure for Non-Overlapping TPC Output

Figure 9.6 shows a sample procedure for setting up non-overlapping TPC output.

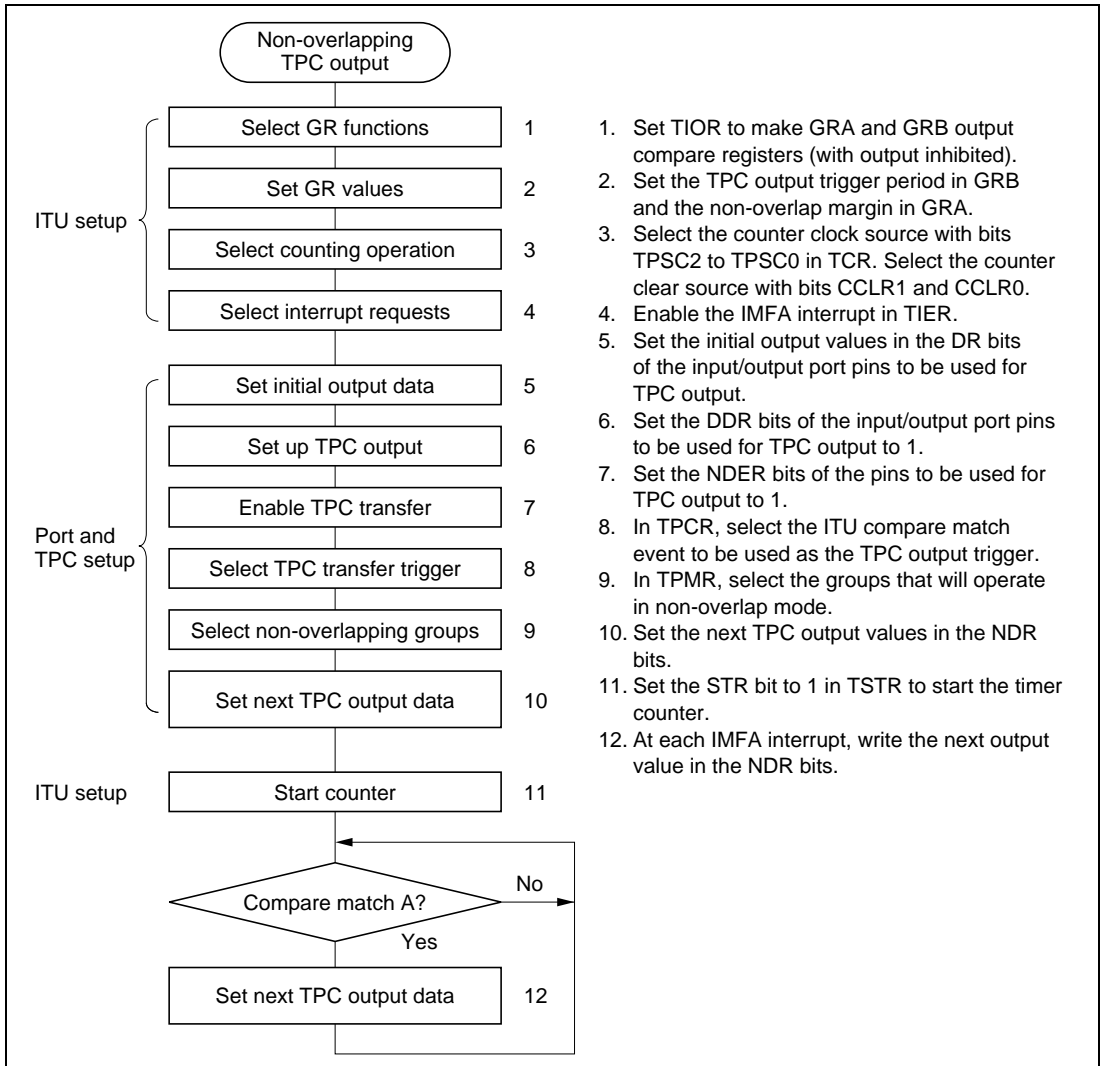


Figure 9.6 Setup Procedure for Non-Overlapping TPC Output (Example)

Example of Non-Overlapping TPC Output (Example of Four-Phase Complementary Non-Overlapping Output)

Figure 9.7 shows an example of the use of TPC output for four-phase complementary non-overlapping pulse output.

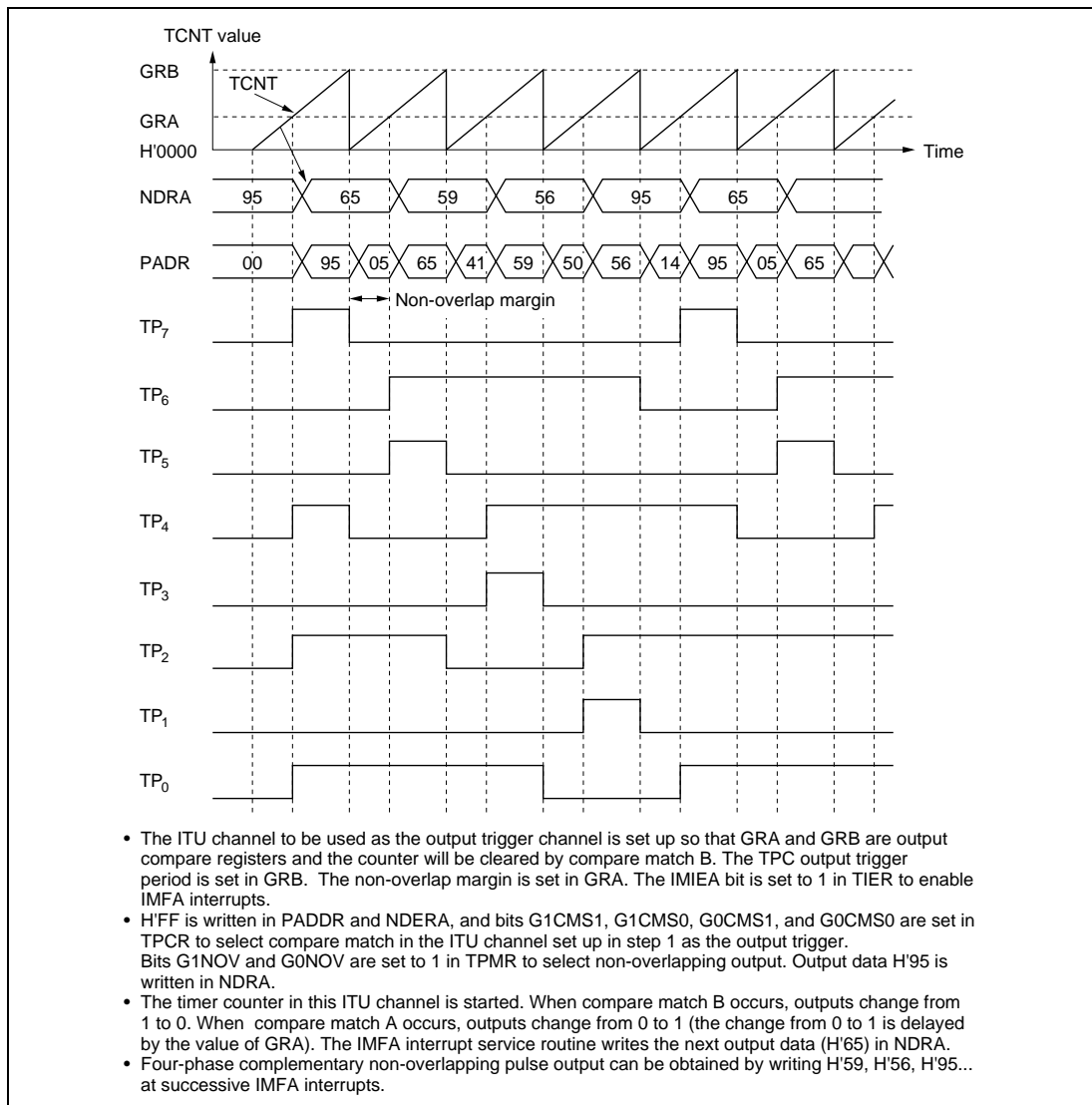


Figure 9.7 Non-Overlapping TPC Output Example (Four-Phase Complementary Non-Overlapping Pulse Output)

9.3.5 TPC Output Triggering by Input Capture

TPC output can be triggered by ITU input capture as well as by compare match. If GRA functions as an input capture register in the ITU channel selected in TPCR, TPC output will be triggered by the input capture signal. Figure 9.8 shows the timing.

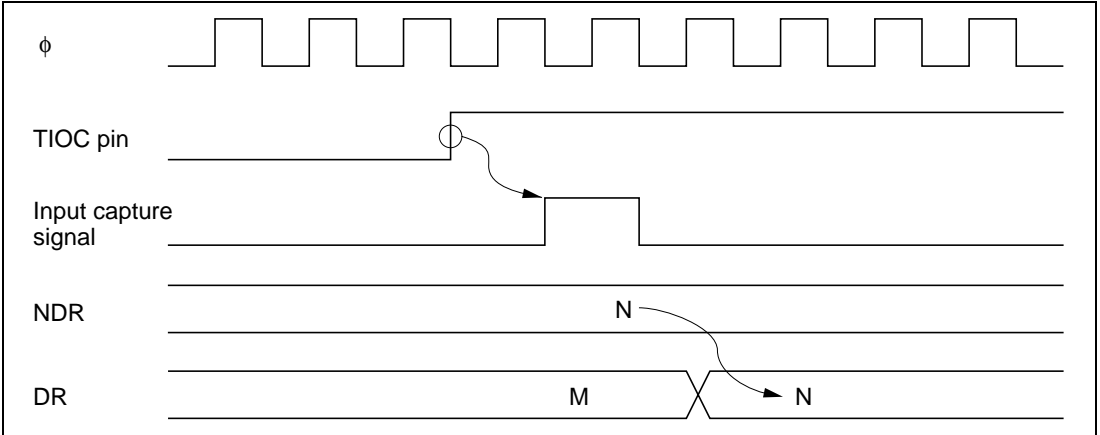


Figure 9.8 TPC Output Triggering by Input Capture (Example)

9.4 Usage Notes

9.4.1 Operation of TPC Output Pins

TP₀ to TP₁₅* are multiplexed with ITU pin functions. When ITU output is enabled, the corresponding pins cannot be used for TPC output. The data transfer from NDR bits to DR bits takes place, however, regardless of the usage of the pin.

Pin functions should be changed only under conditions in which the output trigger event will not occur.

Note: * Since this LSI does not have a TP₁₄ pin, the TP₁₄ signal cannot be output to the outside.

9.4.2 Note on Non-Overlapping Output

During non-overlapping operation, the transfer of NDR bit values to DR bits takes place as follows.

1. NDR bits are always transferred to DR bits at compare match A.
2. At compare match B, NDR bits are transferred only if their value is 0. Bits are not transferred if their value is 1.

Figure 9.9 illustrates the non-overlapping TPC output operation.

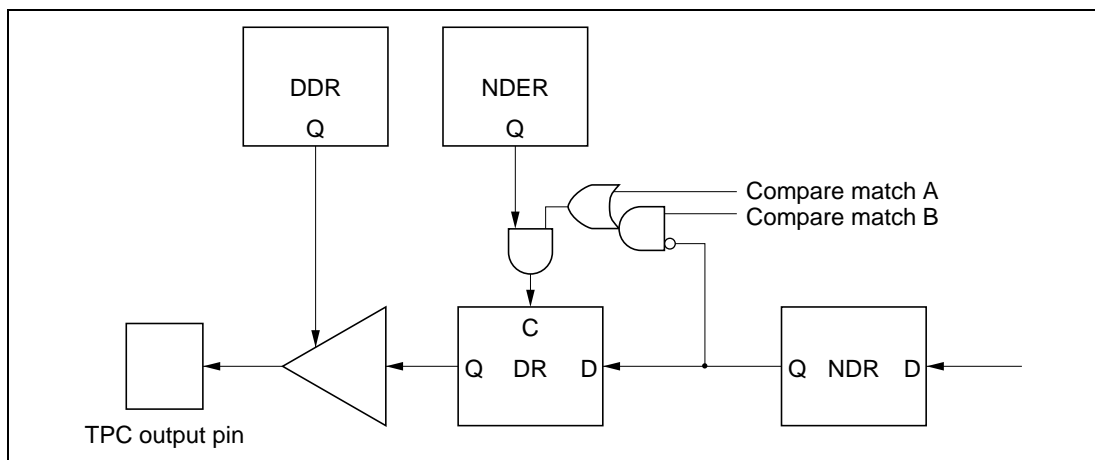


Figure 9.9 Non-Overlapping TPC Output

Therefore, 0 data can be transferred ahead of 1 data by making compare match B occur before compare match A. NDR contents should not be altered during the interval from compare match B to compare match A (the non-overlap margin).

This can be accomplished by having the IMFA interrupt service routine write the next data in NDR, or by having the IMFA interrupt activate the DMAC. The next data must be written before the next compare match B occurs.

Figure 9.10 shows the timing relationships.

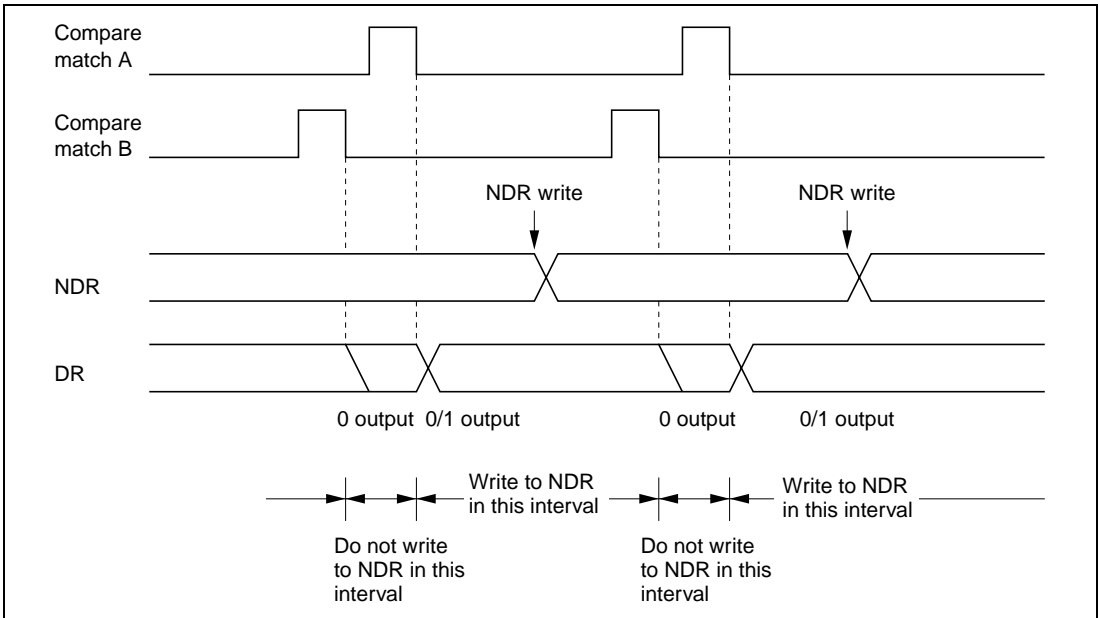


Figure 9.10 Non-Overlapping Operation and NDR Write Timing

Section 10 Watchdog Timer

10.1 Overview

The H8/3039 Group has an on-chip watchdog timer (WDT). The WDT has two selectable functions: it can operate as a watchdog timer to supervise system operation, or it can operate as an interval timer. As a watchdog timer, it generates a reset signal for the H8/3039 Group chip if a system crash allows the timer counter (TCNT) to overflow before being rewritten. In interval timer operation, an interval timer interrupt is requested at each TCNT overflow.

10.1.1 Features

WDT features are listed below.

- Selection of eight counter clock sources
 $\phi/2$, $\phi/32$, $\phi/64$, $\phi/128$, $\phi/256$, $\phi/512$, $\phi/2048$, or $\phi/4096$
- Interval timer option
- Timer counter overflow generates a reset signal or interrupt.
The reset signal is generated in watchdog timer operation. An interval timer interrupt is generated in interval timer operation.
- Watchdog timer reset signal resets the entire H8/3039 Group chip internally, and can also be output externally.*
The reset signal generated by timer counter overflow during watchdog timer operation resets the entire H8/3039 Group internally. An external reset signal can be output from the $\overline{\text{RESO}}$ pin to reset other system devices simultaneously.

Note: * The $\overline{\text{RESO}}$ pin of the mask ROM version is the dedicated FWE input pin of the F-ZTAT version. Therefore, the F-ZTAT version cannot output the reset signal to the outside.

10.1.2 Block Diagram

Figure 10.1 shows a block diagram of the WDT.

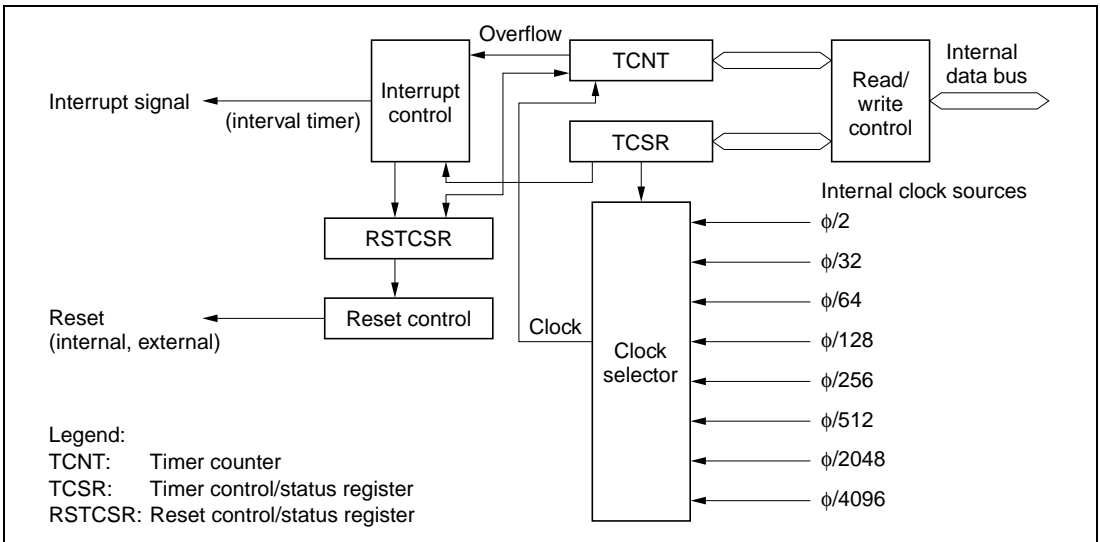


Figure 10.1 WDT Block Diagram

10.1.3 Pin Configuration

Table 10.1 describes the WDT output pin.*

Note: * Shows the mask ROM version pin. The F-ZTAT does not have any pins used by the WDT. For F-ZTAT version, see section 15.9, Notes on Flash Memory Programming/Erasing.

Table 10.1 WDT Pin

| Name | Abbreviation | I/O | Function |
|--------------|--------------------------|---------|--|
| Reset output | $\overline{\text{RESO}}$ | Output* | External output of the watchdog timer reset signal |

Note: * Open-drain output. Externally pull-up to Vcc whether or not the reset output is used

10.1.4 Register Configuration

Table 10.2 summarizes the WDT registers.

Table 10.2 WDT Registers

| Address* ¹ | | Name | Abbreviation | R/W | Initial Value |
|-----------------------|--------|-------------------------------|--------------|---------------------|---------------|
| Write* ² | Read | | | | |
| H'FFA8 | H'FFA8 | Timer control/status register | TCSR | R/(W)* ³ | H'18 |
| | H'FFA9 | Timer counter | TCNT | R/W | H'00 |
| H'FFAA | H'FFAB | Reset control/status register | RSTCSR | R/(W)* ³ | H'3F |

- Notes: 1. Lower 16 bits of the address.
 2. Write word data starting at this address.
 3. Only 0 can be written in bit 7 to clear the flag.

10.2 Register Descriptions

10.2.1 Timer Counter (TCNT)

TCNT is an 8-bit readable and writable* up-counter.

| Bit | 7 | 6 | 5 | 4 | 3 | 2 | 1 | 0 |
|---------------|-----|-----|-----|-----|-----|-----|-----|-----|
| Initial value | 0 | 0 | 0 | 0 | 0 | 0 | 0 | 0 |
| Read/Write | R/W | R/W | R/W | R/W | R/W | R/W | R/W | R/W |

When the TME bit is set to 1 in TCSR, TCNT starts counting pulses generated from an internal clock source selected by bits CKS2 to CKS0 in TCSR. When the count overflows (changes from H'FF to H'00), the OVF bit is set to 1 in TCSR. TCNT is initialized to H'00 by a reset and when the TME bit is cleared to 0.

Note: * TCNT is write-protected by a password. For details see section 10.2.4, Notes on Register Access.

10.2.2 Timer Control/Status Register (TCSR)

TCSR is an 8-bit readable and writable* register. Its functions include selecting the timer mode and clock source.

Note: * TCSR is write-protected by a password. For details see section 10.2.4, Notes on Register Access.

| Bit | 7 | 6 | 5 | 4 | 3 | 2 | 1 | 0 |
|---------------|--------|---------------------|-----|---|---|------|------|------|
| | OVF | WT/ \overline{IT} | TME | — | — | CKS2 | CKS1 | CKS0 |
| Initial value | 0 | 0 | 0 | 1 | 1 | 0 | 0 | 0 |
| Read/Write | R/(W)* | R/W | R/W | — | — | R/W | R/W | R/W |

Overflow flag
 Status flag indicating overflow

Timer mode select
 Selects the mode

Timer enable
 Selects whether TCNT runs or halts

Reserved bits

Clock select
 These bits select the TCNT clock source

Note: * Only 0 can be written to clear the flag.

Bits 7 to 5 are initialized to 0 by a reset and in standby mode. Bits 2 to 0 are initialized to 0 by a reset. In software standby mode bits 2 to 0 are not initialized, but retain their previous values.

Bit 7—Overflow Flag (OVF): This status flag indicates that the timer counter has overflowed from H'FF to H'00.

| Bit 7 OVF | Description |
|--------------|--|
| 0 | [Clearing condition] Cleared by reading OVF when OVF = 1, then writing 0 in OVF (Initial value) |
| 1 | [Setting condition] Set when TCNT changes from H'FF to H'00 |

Bit 6—Timer Mode Select (WT/IT): Selects whether to use the WDT as a watchdog timer or interval timer. If used as an interval timer, the WDT generates an interval timer interrupt request when TCNT overflows. If used as a watchdog timer, the WDT generates a reset signal when TCNT overflows.

| Bit 6 WT/IT | Description |
|----------------|--|
| 0 | Interval timer: requests interval timer interrupts (Initial value) |
| 1 | Watchdog timer: generates a reset signal |

Bit 5—Timer Enable (TME): Selects whether TCNT runs or is halted.

| Bit 5 TME | Description |
|--------------|--|
| 0 | TCNT is initialized to H'00 and halted (Initial value) |
| 1 | TCNT is counting |

Bits 4 and 3—Reserved: These bits cannot be modified and are always read as 1.

Bits 2 to 0—Clock Select 2 to 0 (CKS2/1/0): These bits select one of eight internal clock sources, obtained by prescaling the system clock (ϕ), for input to TCNT.

| Bit 2 CKS2 | Bit 1 CKS1 | Bit 0 CKS0 | Description |
|---------------|---------------|---------------|--------------------------|
| 0 | 0 | 0 | $\phi/2$ (Initial value) |
| | | 1 | $\phi/32$ |
| | 1 | 0 | $\phi/64$ |
| | | 1 | $\phi/128$ |
| 1 | 0 | 0 | $\phi/256$ |
| | | 1 | $\phi/512$ |
| | 1 | 0 | $\phi/2048$ |
| | | 1 | $\phi/4096$ |

10.2.3 Reset Control/Status Register (RSTCSR)

RSTCSR is an 8-bit readable and writable* register that indicates when a reset signal has been generated by watchdog timer overflow, and controls external output of the reset signal.

Note: * RSTCSR is write-protected by a password. For details see section 10.2.4, Notes on Register Access.

| Bit | 7 | 6 | 5 | 4 | 3 | 2 | 1 | 0 |
|---------------|---------|-------|---|---|---|---|---|---|
| | WRST | RSTOE | — | — | — | — | — | — |
| Initial value | 0 | 0 | 1 | 1 | 1 | 1 | 1 | 1 |
| Read/Write | R/(W)*1 | R/W | — | — | — | — | — | — |

Reserved bits

Reset output enable*2

Enables or disables external output of the reset signal

Watchdog timer reset

Indicates that a reset signal has been generated

- Notes:
1. Only 0 can be written in bit 7 to clear the flag.
 2. With the mask ROM version, enable and disable can be set. With the F-ZTAT version, do not set enable.

Bits 7 and 6 are initialized by input of a reset signal at the $\overline{\text{RES}}$ pin. They are not initialized by reset signals generated by watchdog timer overflow.

Bit 7—Watchdog Timer Reset (WRST): During watchdog timer operation, this bit indicates that TCNT has overflowed and generated a reset signal. This reset signal resets the entire chip internally. If bit RSTOE is set to 1, this reset signal is also output (low) at the $\overline{\text{RESO}}$ pin*¹ to initialize external system devices.

Bit 7

| WRST | Description | |
|-------------|---|-----------------|
| 0 | [Clearing conditions] (1) Cleared to 0 by reset signal input at $\overline{\text{RES}}$ pin (2) Cleared by reading WRST when WRST = 1, then writing 0 in WRST | (Initial value) |
| 1 | [Setting condition] Set when TCNT overflow generates a reset signal during watchdog timer operation | |

Bit 6—Reset Output Enable (RSTOE): Enables or disables external output at the $\overline{\text{RESO}}$ pin*¹ of the reset signal generated if TCNT overflows during watchdog timer operation.

Bit 6

| RSTOE | Description | |
|--------------|---|-----------------|
| 0 | Reset signal is not output externally | (Initial value) |
| 1 | Reset signal is output externally* ² | |

Notes: 1. Mask ROM version. Dedicated FWE input pin for F-ZTAT version.
2. Mask ROM version. Do not set to 1 with the F-ZTAT version.

Bits 5 to 0—Reserved: These bits cannot be modified and are always read as 1.

10.2.4 Notes on Register Access

The watchdog timer's TCNT, TCSR, and RSTCSR registers differ from other registers in being more difficult to write. The procedures for writing and reading these registers are given below.

Writing to TCNT and TCSR

These registers must be written by a word transfer instruction. They cannot be written by byte instructions. Figure 10.2 shows the format of data written to TCNT and TCSR. TCNT and TCSR both have the same write address. The write data must be contained in the lower byte of the written word. The upper byte must contain H'5A (password for TCNT) or H'A5 (password for TCSR). This transfers the write data from the lower byte to TCNT or TCSR.

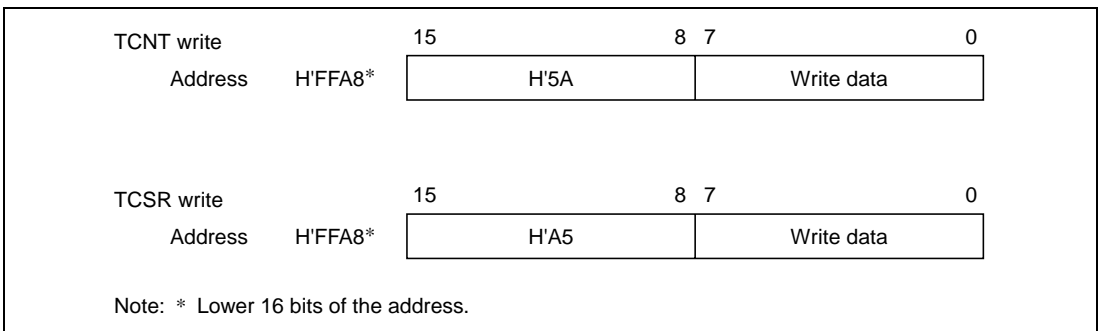


Figure 10.2 Format of Data Written to TCNT and TCSR

Writing to RSTCSR

RSTCSR must be written by a word transfer instruction. It cannot be written by byte transfer instructions. Figure 10.3 shows the format of data written to RSTCSR. To write 0 in the WRST bit, the write data must have H'A5 in the upper byte and H'00 in the lower byte. The H'00 in the lower byte clears the WRST bit in RSTCSR to 0. To write to the RSTOE bit, the upper byte must contain H'5A and the lower byte must contain the write data. Writing this word transfers a write data value into the RSTOE bit.

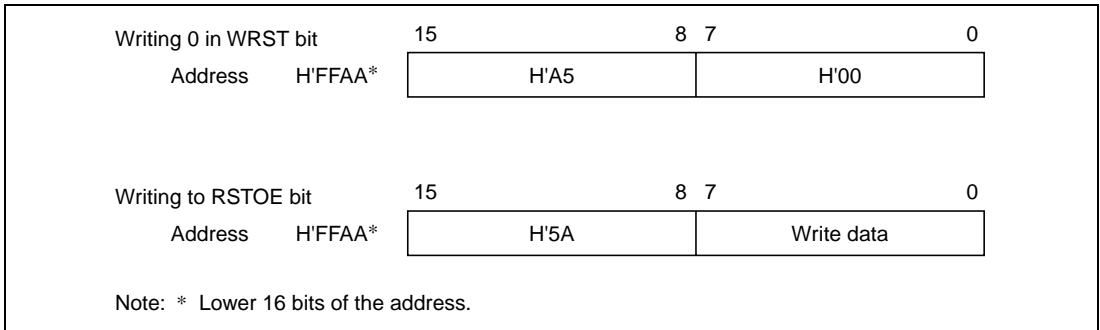


Figure 10.3 Format of Data Written to RSTCSR

Reading TCNT, TCSR, and RSTCSR

These registers are read like other registers. Byte access instructions can be used. The read addresses are H'FFA8 for TCSR, H'FFA9 for TCNT, and H'FFAB for RSTCSR, as listed in table 10.3.

Table 10.3 Read Addresses of TCNT, TCSR, and RSTCSR

| Address* | Register |
|----------|----------|
| H'FFA8 | TCSR |
| H'FFA9 | TCNT |
| H'FFAB | RSTCSR |

Note: * Lower 16 bits of the address.

10.3 Operation

Operations when the WDT is used as a watchdog timer and as an interval timer are described below.

10.3.1 Watchdog Timer Operation

Figure 10.4 illustrates watchdog timer operation. To use the WDT as a watchdog timer, set the $\overline{WT/IT}$ and TME bits to 1 in TCSR. Software must prevent TCNT overflow by rewriting the TCNT value (normally by writing H'00) before overflow occurs. If TCNT fails to be rewritten and overflows due to a system crash etc., the H8/3039 Group is internally reset for a duration of 518 states.

The watchdog reset signal can be externally output from the \overline{RESO} pin* to reset external system devices. The reset signal is output externally for 132 states. External output can be enabled or disabled by the RSTOE bit in RSTCSR.

A watchdog reset has the same vector as a reset generated by input at the \overline{RES} pin. Software can distinguish a \overline{RES} reset from a watchdog reset by checking the WRST bit in RSTCSR.

If a \overline{RES} reset and a watchdog reset occur simultaneously, the \overline{RES} reset takes priority.

Note: * Mask ROM version.

Since the RES pin is a dedicated FWE input pin with the F-ZTAT version, the reset signal cannot be output to the outside.

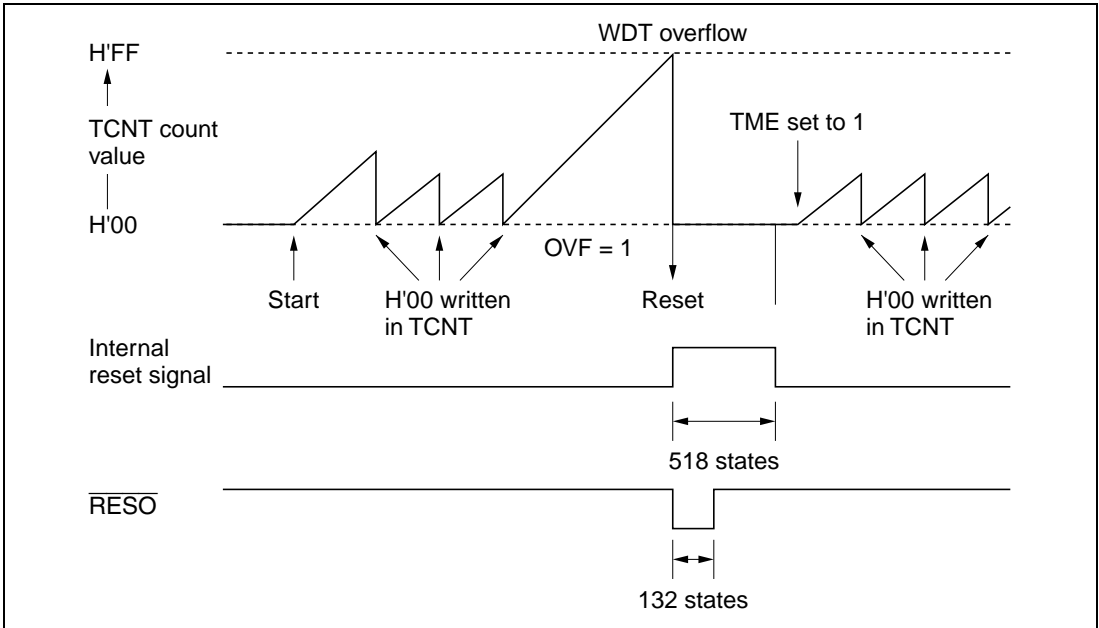


Figure 10.4 Watchdog Timer Operation (Mask ROM Version)

10.3.2 Interval Timer Operation

Figure 10.5 illustrates interval timer operation. To use the WDT as an interval timer, clear bit $\overline{WT/IT}$ to 0 and set bit TME to 1 in TCSR. An interval timer interrupt request is generated at each TCNT overflow. This function can be used to generate interval timer interrupts at regular intervals.

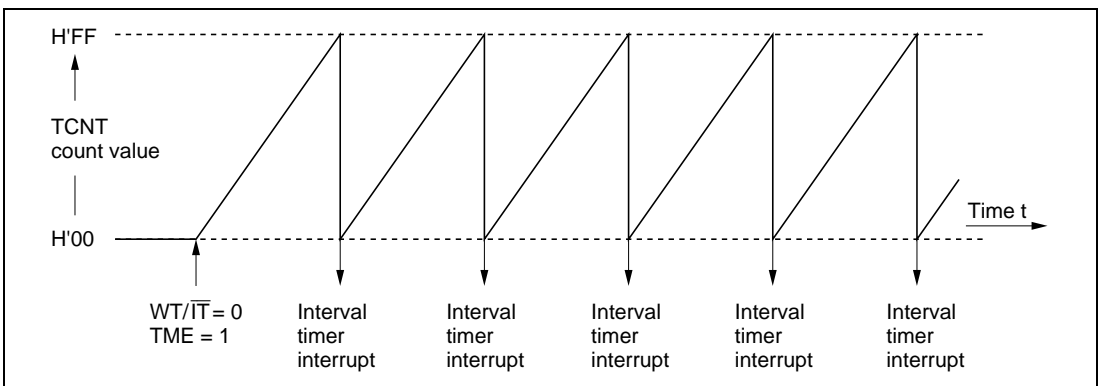


Figure 10.5 Interval Timer Operation

10.3.3 Timing of Setting of Overflow Flag (OVF)

Figure 10.6 shows the timing of setting of the OVF flag in TCSR. The OVF flag is set to 1 when TCNT overflows. At the same time, a reset signal is generated in watchdog timer operation, or an interval timer interrupt is generated in interval timer operation.

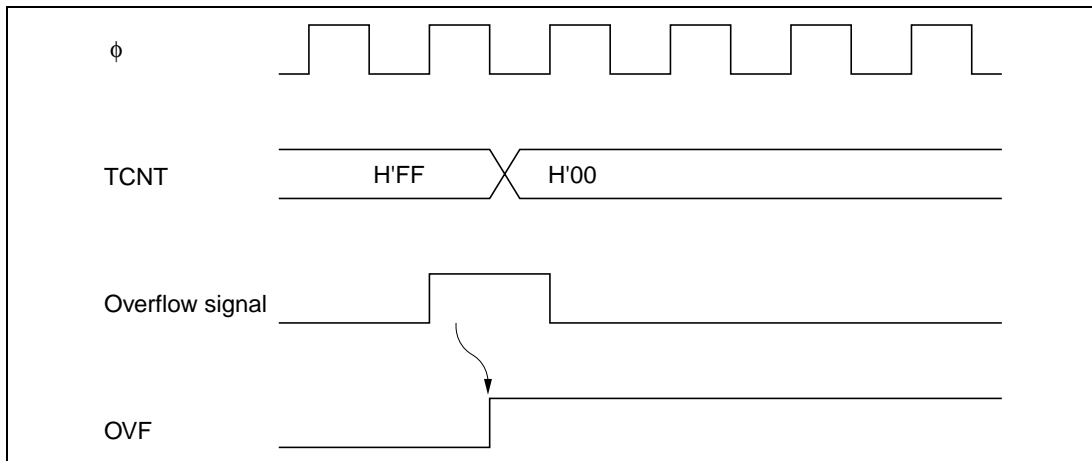


Figure 10.6 Timing of Setting of OVF

10.3.4 Timing of Setting of Watchdog Timer Reset Bit (WRST)

The WRST bit in RSTCSR is valid when bits $\overline{WT/IT}$ and TME are both set to 1 in TCSR.

Figure 10.7 shows the timing of setting of WRST and the internal reset timing. The WRST bit is set to 1 when TCNT overflows and OVF is set to 1. At the same time an internal reset signal is generated for the entire H8/3039 Group chip. This internal reset signal clears OVF to 0, but the WRST bit remains set to 1. The reset routine must therefore clear the WRST bit.

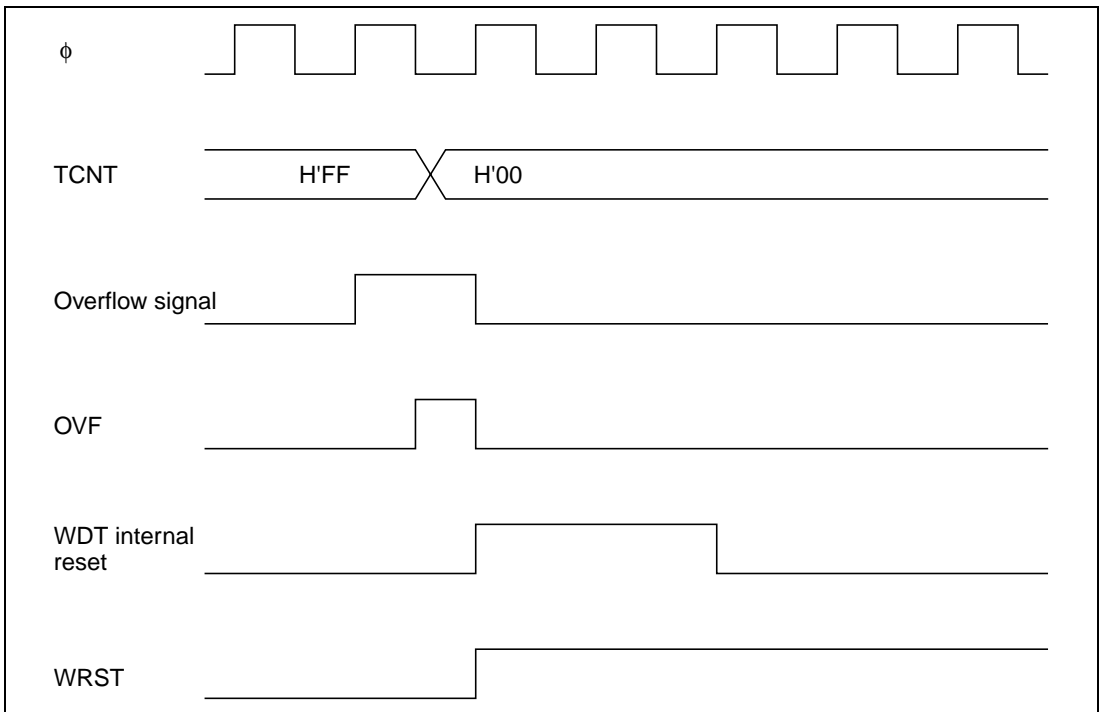


Figure 10.7 Timing of Setting of WRST Bit and Internal Reset

10.4 Interrupts

During interval timer operation, an overflow generates an interval timer interrupt (WOVI). The interval timer interrupt is requested whenever the OVF bit is set to 1 in TCSR.

10.5 Usage Notes

Contention between TCNT Write and Increment

If a timer counter clock pulse is generated during the T3 state of a write cycle to TCNT, the write takes priority and the timer count is not incremented. See figure 10.8.

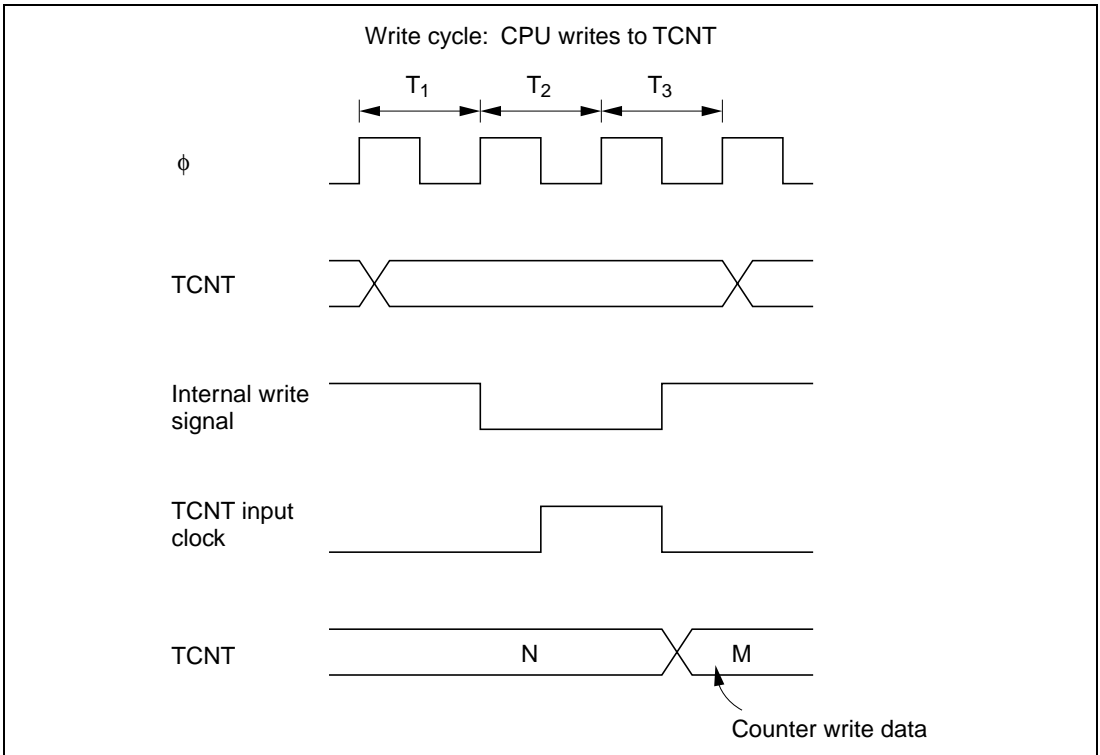


Figure 10.8 Contention between TCNT Write and Increment

Changing CKS2 to CKS0 Values

Halt TCNT by clearing the TME bit to 0 in TCSR before changing the values of bits CKS2 to CKS0.

Section 11 Serial Communication Interface

11.1 Overview

The H8/3039 Group has a serial communication interface (SCI) with two independent channels. The two channels are functionally identical. The SCI can communicate in asynchronous or synchronous mode. It also has a multiprocessor communication function for serial communication among two or more processors.

When the SCI is not used, it can be halted to conserve power. Each SCI channel can be halted independently. For details see section 17.6, Module Standby Function.

Channel 0 (SCIO) also has a smart card interface function conforming to the ISO/IEC7816-3 (Identification Card) standard. This function supports serial communication with a smart card. For details, see section 12, Smart Card Interface.

11.1.1 Features

SCI features are listed below.

- Selection of asynchronous or synchronous mode for serial communication
- a. Asynchronous mode

Serial data communication is synchronized one character at a time. The SCI can communicate with a universal asynchronous receiver/transmitter (UART), asynchronous communication interface adapter (ACIA), or other chip that employs standard asynchronous serial communication. It can also communicate with two or more other processors using the multiprocessor communication function. There are twelve selectable serial data communication formats.

- Data length: 7 or 8 bits
- Stop bit length: 1 or 2 bits
- Parity bit: even, odd, or none
- Multiprocessor bit: 1 or 0
- Receive error detection: parity, overrun, and framing errors
- Break detection: by reading the RxD level directly when a framing error occurs

b. Synchronous mode

Serial data communication is synchronized with a clock signal. The SCI can communicate with other chips having a synchronous communication function. There is one serial data communication format.

- Data length: 8 bits
- Receive error detection: overrun errors

- Full-duplex communication

The transmitting and receiving sections are independent, so the SCI can transmit and receive simultaneously. The transmitting and receiving sections are both double-buffered, so serial data can be transmitted and received continuously.

- Built-in baud rate generator with selectable bit rates
- Selectable transmit/receive clock sources: internal clock from baud rate generator, or external clock from the SCK pin.
- Four types of interrupts
Transmit-data-empty, transmit-end, receive-data-full, and receive-error interrupts are requested independently.

11.1.2 Block Diagram

Figure 11.1 shows a block diagram of the SCI.

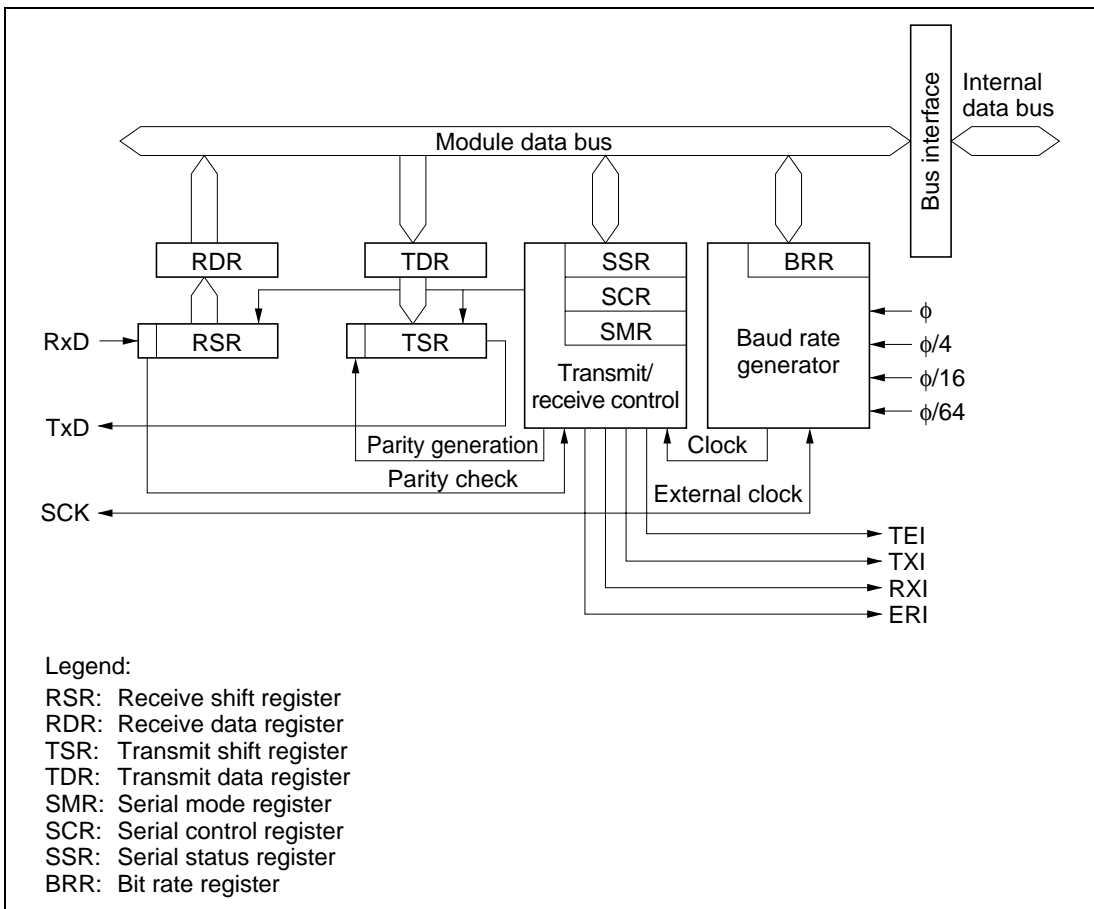


Figure 11.1 SCI Block Diagram

11.1.3 Input/Output Pins

The SCI has the serial pins for each channel as listed in table 11.1.

Table 11.1 SCI Pins

| Channel | Name | Abbreviation | I/O | Function |
|----------------|-------------------|---------------------|--------------|---------------------------------------|
| 0 | Serial clock pin | SCK ₀ | Input/output | SCI ₀ clock input/output |
| | Receive data pin | RxD ₀ | Input | SCI ₀ receive data input |
| | Transmit data pin | TxD ₀ | Output | SCI ₀ transmit data output |
| 1 | Serial clock pin | SCK ₁ | Input/output | SCI ₁ clock input/output |
| | Receive data pin | RxD ₁ | Input | SCI ₁ receive data input |
| | Transmit data pin | TxD ₁ | Output | SCI ₁ transmit data output |

11.1.4 Register Configuration

The SCI has the internal registers as listed in table 11.2. These registers select asynchronous or synchronous mode, specify the data format and bit rate, and control the transmitter and receiver sections.

Table 11.2 Registers

| Channel | Address* ¹ | Name | Abbreviation | R/W | Initial Value |
|---------|-----------------------|-------------------------|--------------|---------------------|---------------|
| 0 | H'FFB0 | Serial mode register | SMR | R/W | H'00 |
| | H'FFB1 | Bit rate register | BRR | R/W | H'FF |
| | H'FFB2 | Serial control register | SCR | R/W | H'00 |
| | H'FFB3 | Transmit data register | TDR | R/W | H'FF |
| | H'FFB4 | Serial status register | SSR | R/(W)* ² | H'84 |
| | H'FFB5 | Receive data register | RDR | R | H'00 |
| 1 | H'FFB8 | Serial mode register | SMR | R/W | H'00 |
| | H'FFB9 | Bit rate register | BRR | R/W | H'FF |
| | H'FFBA | Serial control register | SCR | R/W | H'00 |
| | H'FFBB | Transmit data register | TDR | R/W | H'FF |
| | H'FFBC | Serial status register | SSR | R/(W)* ² | H'84 |
| | H'FFBD | Receive data register | RDR | R | H'00 |

- Notes: 1. Lower 16 bits of the address.
 2. Only 0 can be written to clear flags.

11.2 Register Descriptions

11.2.1 Receive Shift Register (RSR)

RSR is an 8-bit register that receives serial data.

| | | | | | | | | |
|------------|---|---|---|---|---|---|---|---|
| Bit | 7 | 6 | 5 | 4 | 3 | 2 | 1 | 0 |
| | | | | | | | | |
| Read/Write | — | — | — | — | — | — | — | — |

The SCI loads serial data input at the RxD pin into RSR in the order received, LSB (bit 0) first, thereby converting the data to parallel data. When 1 byte has been received, it is automatically transferred to RDR. The CPU cannot read or write RSR directly.

11.2.2 Receive Data Register (RDR)

RDR is an 8-bit register that stores received serial data.

| | | | | | | | | |
|---------------|---|---|---|---|---|---|---|---|
| Bit | 7 | 6 | 5 | 4 | 3 | 2 | 1 | 0 |
| | | | | | | | | |
| Initial value | 0 | 0 | 0 | 0 | 0 | 0 | 0 | 0 |
| Read/Write | R | R | R | R | R | R | R | R |

When the SCI finishes receiving 1 byte of serial data, it transfers the received data from RSR into RDR for storage. RSR is then ready to receive the next data. This double buffering allows data to be received continuously.

RDR is a read-only register. Its contents cannot be modified by the CPU. RDR is initialized to H'00 by a reset and in standby mode.

11.2.3 Transmit Shift Register (TSR)

TSR is an 8-bit register used to transmit serial data.

| | | | | | | | | |
|------------|---|---|---|---|---|---|---|---|
| Bit | 7 | 6 | 5 | 4 | 3 | 2 | 1 | 0 |
| | | | | | | | | |
| Read/Write | — | — | — | — | — | — | — | — |

The SCI loads transmit data from TDR into TSR, then transmits the data serially from the TxD pin, LSB (bit 0) first. After transmitting one data byte, the SCI automatically loads the next transmit data from TDR into TSR and starts transmitting it. If the TDRE flag is set to 1 in SSR, however, the SCI does not load the TDR contents into TSR. The CPU cannot read or write TSR directly.

11.2.4 Transmit Data Register (TDR)

TDR is an 8-bit register that stores data for serial transmission.

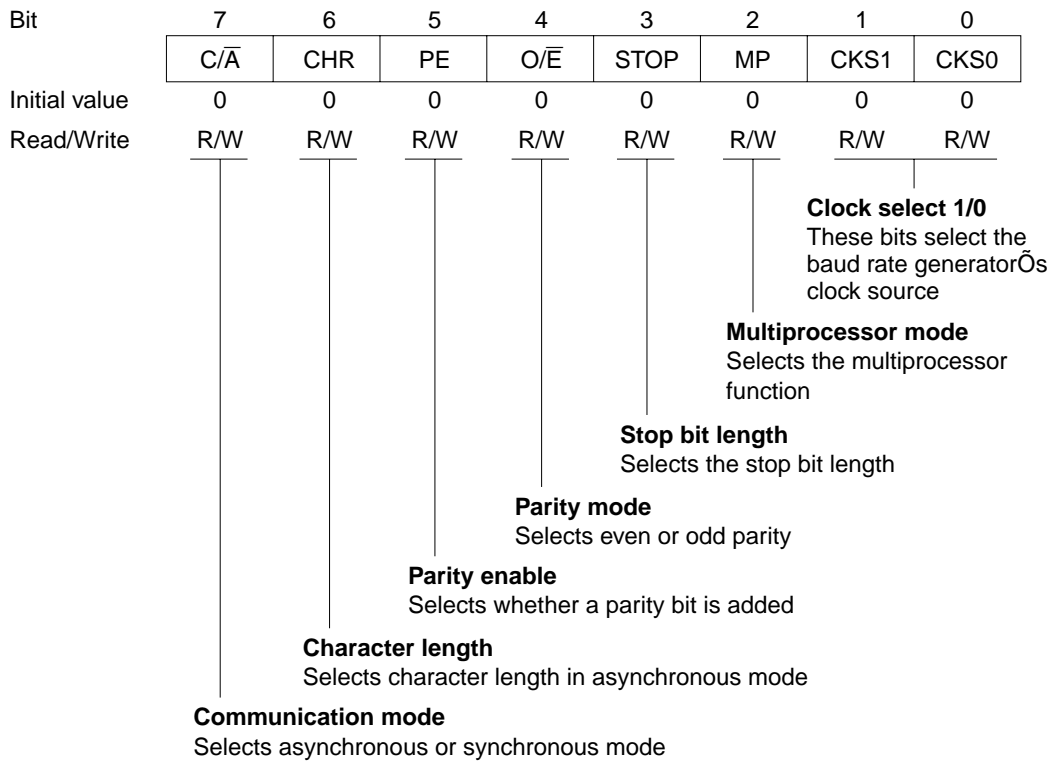
| | | | | | | | | |
|---------------|-----|-----|-----|-----|-----|-----|-----|-----|
| Bit | 7 | 6 | 5 | 4 | 3 | 2 | 1 | 0 |
| | | | | | | | | |
| Initial value | 1 | 1 | 1 | 1 | 1 | 1 | 1 | 1 |
| Read/Write | R/W | R/W | R/W | R/W | R/W | R/W | R/W | R/W |

When the SCI detects that TSR is empty, it moves transmit data written in TDR from TDR into TSR and starts serial transmission. Continuous serial transmission is possible by writing the next transmit data in TDR during serial transmission from TSR.

The CPU can always read and write TDR. TDR is initialized to H'FF by a reset and in standby mode.

11.2.5 Serial Mode Register (SMR)

SMR is an 8-bit register that specifies the SCI serial communication format and selects the clock source for the baud rate generator.



The CPU can always read and write SMR. SMR is initialized to H'00 by a reset and in standby mode.

Bit 7—Communication Mode (C/ \bar{A}): Selects whether the SCI operates in asynchronous or synchronous mode.

| Bit 7 C/ \bar{A} | Description |
|-----------------------|-----------------------------------|
| 0 | Asynchronous mode (Initial value) |
| 1 | Synchronous mode |

Bit 6—Character Length (CHR): Selects 7-bit or 8-bit data length in asynchronous mode. In synchronous mode the data length is 8 bits regardless of the CHR setting.

| Bit 6 | |
|-------|----------------------------|
| CHR | Description |
| 0 | 8-bit data (Initial value) |
| 1 | 7-bit data* |

Note: * When 7-bit data is selected, the MSB (bit 7) in TDR is not transmitted.

Bit 5—Parity Enable (PE): In asynchronous mode, this bit enables or disables the addition of a parity bit to transmit data, and the checking of the parity bit in receive data. In synchronous mode the parity bit is neither added nor checked, regardless of the PE setting.

| Bit 5 | |
|-------|---|
| PE | Description |
| 0 | Parity bit not added or checked (Initial value) |
| 1 | Parity bit added and checked* |

Note: * When PE is set to 1, an even or odd parity bit is added to transmit data according to the even or odd parity mode selected by the O/\bar{E} bit, and the parity bit in receive data is checked to see that it matches the even or odd mode selected by the O/\bar{E} bit.

Bit 4—Parity Mode (O/\bar{E}): Selects even or odd parity. The O/\bar{E} bit setting is valid in asynchronous mode when the PE bit is set to 1 to enable the adding and checking of a parity bit. The O/\bar{E} setting is ignored in synchronous mode, or when parity adding and checking is disabled in asynchronous mode.

| Bit 4 | |
|-------------|---|
| O/\bar{E} | Description |
| 0 | Even parity* ¹ (Initial value) |
| 1 | Odd parity* ² |

Notes: 1. When even parity is selected, the parity bit added to transmit data makes an even number of 1s in the transmitted character and parity bit combined. Receive data must have an even number of 1s in the received character and parity bit combined.
 2. When odd parity is selected, the parity bit added to transmit data makes an odd number of 1s in the transmitted character and parity bit combined. Receive data must have an odd number of 1s in the received character and parity bit combined.

Bit 3—Stop Bit Length (STOP): Selects one or two stop bits in asynchronous mode. This setting is used only in asynchronous mode. In synchronous mode no stop bit is added, so the STOP bit setting is ignored.

| Bit 3 STOP | Description | |
|---------------|-----------------------------|-----------------|
| 0 | One stop bit* ¹ | (Initial value) |
| 1 | Two stop bits* ² | |

Notes: 1. One stop bit (with value 1) is added at the end of each transmitted character.
2. Two stop bits (with value 1) are added at the end of each transmitted character.

In receiving, only the first stop bit is checked, regardless of the STOP bit setting. If the second stop bit is 1 it is treated as a stop bit. If the second stop bit is 0 it is treated as the start bit of the next incoming character.

Bit 2—Multiprocessor Mode (MP): Selects a multiprocessor format. When a multiprocessor format is selected, parity settings made by the PE and O/ \bar{E} bits are ignored. The MP bit setting is valid only in asynchronous mode. It is ignored in synchronous mode.

For further information on the multiprocessor communication function, see section 11.3.3, Multiprocessor Communication.

| Bit 2 MP | Description | |
|-------------|----------------------------------|-----------------|
| 0 | Multiprocessor function disabled | (Initial value) |
| 1 | Multiprocessor format selected | |

Bits 1 and 0—Clock Select 1 and 0 (CKS1/0): These bits select the clock source of the on-chip baud rate generator. Four clock sources are available: ϕ , $\phi/4$, $\phi/16$, and $\phi/64$.

For the relationship between the clock source, bit rate register setting, and baud rate, see section 11.2.8, Bit Rate Register (BRR).

| Bit 1 CKS1 | Bit 0 CKS0 | Description | |
|---------------|---------------|--------------------------|-----------------|
| 0 | 0 | ϕ clock selected | (Initial value) |
| 0 | 1 | $\phi/4$ clock selected | |
| 1 | 0 | $\phi/16$ clock selected | |
| 1 | 1 | $\phi/64$ clock selected | |

11.2.6 Serial Control Register (SCR)

SCR enables the SCI transmitter and receiver, enables or disables serial clock output in asynchronous mode, enables or disables interrupts, and selects the transmit/receive clock source.

| Bit | 7 | 6 | 5 | 4 | 3 | 2 | 1 | 0 |
|---------------|-----|-----|-----|-----|------|------|------|------|
| | TIE | RIE | TE | RE | MPIE | TEIE | CKE1 | CKE0 |
| Initial value | 0 | 0 | 0 | 0 | 0 | 0 | 0 | 0 |
| Read/Write | R/W | R/W | R/W | R/W | R/W | R/W | R/W | R/W |

Transmit interrupt enable
Enables or disables transmit-data-empty interrupts (TXI)

Receive interrupt enable
Enables or disables receive-data-full interrupts (RXI) and receive-error interrupts (ERI)

Transmit enable
Enables or disables the transmitter

Receive enable
Enables or disables the receiver

Multiprocessor interrupt enable
Enables or disables multiprocessor interrupts

Transmit end interrupt enable
Enables or disables transmit-end interrupts (TEI)

Clock enable 1/0
These bits select the SCI clock source

The CPU can always read and write SCR. SCR is initialized to H'00 by a reset and in standby mode.

Bit 7—Transmit Interrupt Enable (TIE): Enables or disables the transmit-data-empty interrupt (TXI) requested when the TDRE flag in SSR is set to 1 due to transfer of serial transmit data from TDR to TSR.

Bit 7

| TIE | Description |
|-----|--|
| 0 | Transmit-data-empty interrupt request (TXI) is disabled* (Initial value) |
| 1 | Transmit-data-empty interrupt request (TXI) is enabled |

Note: * TXI interrupt requests can be cleared by reading the value 1 from the TDRE flag, then clearing it to 0; or by clearing the TIE bit to 0.

Bit 6—Receive Interrupt Enable (RIE): Enables or disables the receive-data-full interrupt (RXI) requested when the RDRF flag is set to 1 in SSR due to transfer of serial receive data from RSR to RDR; also enables or disables the receive-error interrupt (ERI).

Bit 6

| RIE | Description |
|-----|--|
| 0 | Receive-end (RXI) and receive-error (ERI) interrupt requests are disabled* (Initial value) |
| 1 | Receive-end (RXI) and receive-error (ERI) interrupt requests are enabled |

Note: * RXI and ERI interrupt requests can be cleared by reading the value 1 from the RDRF, FER, PER, or ORER flag, then clearing it to 0; or by clearing the RIE bit to 0.

Bit 5—Transmit Enable (TE): Enables or disables the start of SCI serial transmitting operations.

Bit 5

| TE | Description |
|----|---|
| 0 | Transmitting disabled* ¹ (Initial value) |
| 1 | Transmitting enabled* ² |

Notes: 1. The TDRE flag is fixed at 1 in SSR.
 2. In the enabled state, serial transmitting starts when the TDRE flag in SSR is cleared to 0 after writing of transmit data into TDR. Select the transmit format in SMR before setting the TE bit to 1.

Bit 4—Receive Enable (RE): Enables or disables the start of SCI serial receiving operations.

Bit 4

| RE | Description |
|----|--|
| 0 | Receiving disabled* ¹ (Initial value) |
| 1 | Receiving enabled* ² |

- Notes:
1. Clearing the RE bit to 0 does not affect the RDRF, FER, PER, and ORER flags. These flags retain their previous values.
 2. In the enabled state, serial receiving starts when a start bit is detected in asynchronous mode, or serial clock input is detected in synchronous mode. Select the receive format in SMR before setting the RE bit to 1.

Bit 3—Multiprocessor Interrupt Enable (MPIE): Enables or disables multiprocessor interrupts. The MPIE setting is valid only in asynchronous mode, and only if the MP bit is set to 1 in SMR. The MPIE setting is ignored in synchronous mode or when the MP bit is cleared to 0.

Bit 3

| MPIE | Description |
|------|--|
| 0 | Multiprocessor interrupts are disabled (normal receive operation) (Initial value) [Clearing conditions] <ul style="list-style-type: none"> • The MPIE bit is cleared to 0 • MPB = 1 in received data |
| 1 | Multiprocessor interrupts are enabled* Receive-data-full interrupts (RXI), receive-error interrupts (ERI), and setting of the RDRF, FER, and ORER status flags in SSR are disabled until data with the multiprocessor bit set to 1 is received. |

- Note: * The SCI does not transfer receive data from RSR to RDR, does not detect receive errors, and does not set the RDRF, FER, and ORER flags in SSR. When it receives data in which MPB = 1, the SCI sets the MPB bit to 1 in SSR, automatically clears the MPIE bit to 0, and enables RXI and ERI interrupts (if the RIE bit is set to 1 in SCR) and setting of the FER and ORER flags.

Bit 2—Transmit-End Interrupt Enable (TEIE): Enables or disables the transmit-end interrupt (TEI) requested if TDR does not contain new transmit data when the MSB is transmitted.

Bit 2

| TEIE | Description |
|------|---|
| 0 | Transmit-end interrupt requests (TEI) are disabled* (Initial value) |
| 1 | Transmit-end interrupt requests (TEI) are enabled* |

Note: * TEI interrupt requests can be cleared by reading the value 1 from the TDRE flag in SSR, then clearing the TDRE flag to 0, thereby also clearing the TEND flag to 0; or by clearing the TEIE bit to 0.

Bits 1 and 0—Clock Enable 1 and 0 (CKE1/0): These bits select the SCI clock source and enable or disable clock output from the SCK pin. Depending on the settings of CKE1 and CKE0, the SCK pin can be used for generic input/output, serial clock output, or serial clock input.

The CKE0 setting is valid only in asynchronous mode, and only when the SCI is internally clocked (CKE1 = 0). The CKE0 setting is ignored in synchronous mode, or when an external clock source is selected (CKE1 = 1). After setting the CKE1 and CKE0 bits, select the SCI operating mode in SMR. For further details on selection of the SCI clock source, see table 11.9.

| Bit 1 CKE1 | Bit 0 CKE0 | Description |
|---------------|---------------|--|
| 0 | 0 | Asynchronous mode Internal clock, SCK pin available for generic input/output* ¹ |
| | | Synchronous mode Internal clock, SCK pin used for serial clock output* ¹ |
| 0 | 1 | Asynchronous mode Internal clock, SCK pin used for clock output* ² |
| | | Synchronous mode Internal clock, SCK pin used for serial clock output |
| 1 | 0 | Asynchronous mode External clock, SCK pin used for clock input* ³ |
| | | Synchronous mode External clock, SCK pin used for serial clock input |
| 1 | 1 | Asynchronous mode External clock, SCK pin used for clock input* ³ |
| | | Synchronous mode External clock, SCK pin used for serial clock input |

- Notes:
1. Initial value
 2. The output clock frequency is the same as the bit rate.
 3. The input clock frequency is 16 times the bit rate.

11.2.7 Serial Status Register (SSR)

SSR is an 8-bit register containing multiprocessor bit values, and status flags that indicate the SCI operating status.

| Bit | 7 | 6 | 5 | 4 | 3 | 2 | 1 | 0 |
|---------------|--------|--------|--------|--------|--------|------|-----|------|
| | TDRE | RDRF | ORER | FER | PER | TEND | MPB | MPBT |
| Initial value | 1 | 0 | 0 | 0 | 0 | 1 | 0 | 0 |
| Read/Write | R/(W)* | R/(W)* | R/(W)* | R/(W)* | R/(W)* | R | R | R/W |

| | |
|---|--|
| <p>Receive data register full Status flag indicating that data has been received and stored in RDR</p> <p>Overrun error Status flag indicating detection of a receive overrun error</p> <p>Framing error Status flag indicating detection of a receive framing error</p> <p>Parity error Status flag indicating detection of a receive parity error</p> <p>Transmit end Status flag indicating end of transmission</p> <p>Multiprocessor bit Stores the received multiprocessor bit value</p> <p>Multiprocessor bit transfer Value of multiprocessor bit to be transmitted</p> | <p>MPBT</p> <p>MPB</p> <p>TEND</p> <p>PER</p> <p>FER</p> <p>ORER</p> <p>RDRF</p> <p>TDRE</p> |
|---|--|

Transmit data register empty
Status flag indicating that transmit data has been transferred from TDR into TSR and new data can be written in TDR

Note: * Only 0 can be written to clear the flag.

The CPU can always read and write SSR, but cannot write 1 in the TDRE, RDRF, ORER, PER, and FER flags. These flags can be cleared to 0 only if they have first been read while set to 1. The TEND and MPB flags are read-only bits that cannot be written.

SSR is initialized to H'84 by a reset and in standby mode.

Bit 7—Transmit Data Register Empty (TDRE): Indicates that the SCI has loaded transmit data from TDR into TSR and the next serial transmit data can be written in TDR.

Bit 7

| TDRE | Description |
|------|---|
| 0 | TDR contains valid transmit data [Clearing condition] Software reads TDRE while it is set to 1, then writes 0 |
| 1 | TDR does not contain valid transmit data (Initial value) [Setting conditions] <ul style="list-style-type: none"> • The chip is reset or enters standby mode • The TE bit in SCR is cleared to 0 • TDR contents are loaded into TSR, so new data can be written in TDR |

Bit 6—Receive Data Register Full (RDRF): Indicates that RDR contains new receive data.

Bit 6

| RDRF | Description |
|------|--|
| 0 | RDR does not contain new receive data (Initial value) [Clearing conditions] <ul style="list-style-type: none"> • The chip is reset or enters standby mode • Software reads RDRF while it is set to 1, then writes 0 • The DMAC reads data from RDR |
| 1 | RDR contains new receive data [Setting condition] When serial data is received normally and transferred from RSR to RDR |

Note: The RDR contents and RDRF flag are not affected by detection of receive errors or by clearing of the RE bit to 0 in SCR. They retain their previous values. If the RDRF flag is still set to 1 when reception of the next data ends, an overrun error occurs and receive data is lost.

Bit 5—Overrun Error (ORER): Indicates that data reception ended abnormally due to an overrun error.

| Bit 5 ORER | Description | |
|---------------|---|-------------------------------|
| 0 | Receiving is in progress or has ended normally [Clearing conditions] | (Initial value)* ¹ |
| | <ul style="list-style-type: none"> The chip is reset or enters standby mode Software reads ORER while it is set to 1, then writes 0 | |
| 1 | A receive overrun error occurred* ² [Setting condition] | |
| | Reception of the next serial data ends when RDRF = 1 | |

- Notes:
1. Clearing the RE bit to 0 in SCR does not affect the ORER flag, which retains its previous value.
 2. RDR continues to hold the receive data before the overrun error, so subsequent receive data is lost. Serial receiving cannot continue while the ORER flag is set to 1. In synchronous mode, serial transmitting is also disabled.

Bit 4—Framing Error (FER): Indicates that data reception ended abnormally due to a framing error in asynchronous mode.

| Bit 4 FER | Description | |
|--------------|--|-------------------------------|
| 0 | Receiving is in progress or has ended normally [Clearing conditions] | (Initial value)* ¹ |
| | <ul style="list-style-type: none"> The chip is reset or enters standby mode Software reads FER while it is set to 1, then writes 0 | |
| 1 | A receive framing error occurred* ² [Setting condition] | |
| | The stop bit at the end of receive data is checked and found to be 0 | |

- Notes:
1. Clearing the RE bit to 0 in SCR does not affect the FER flag, which retains its previous value.
 2. When the stop bit length is 2 bits, only the first bit is checked. The second stop bit is not checked. When a framing error occurs the SCI transfers the receive data into RDR but does not set the RDRF flag. Serial receiving cannot continue while the FER flag is set to 1. In synchronous mode, serial transmitting is also disabled.

Bit 3—Parity Error (PER): Indicates that data reception ended abnormally due to a parity error in asynchronous mode.

| Bit 3 PER | Description |
|--------------|--|
| 0 | Receiving is in progress or has ended normally* ¹ (Initial value) [Clearing condition] The chip is reset or enters standby mode. Software reads PER while it is set to 1, then writes 0 |
| 1 | A receive parity error occurred* ² [Setting condition] The number of 1s in receive data, including the parity bit, does not match the even or odd parity setting of O/ \bar{E} in SMR |

- Notes: 1. Clearing the RE bit to 0 in SCR does not affect the PER flag, which retains its previous value.
2. When a parity error occurs the SCI transfers the receive data into RDR but does not set the RDRF flag. Serial receiving cannot continue while the PER flag is set to 1. In synchronous mode, serial transmitting is also disabled.

Bit 2—Transmit End (TEND): Indicates that when the last bit of a serial character was transmitted TDR did not contain new transmit data, so transmission has ended. The TEND flag is a read-only bit and cannot be written.

| Bit 2 TEND | Description |
|---------------|---|
| 0 | Transmission is in progress [Clearing condition] Software reads TDRE while it is set to 1, then writes 0 in the TDRE flag |
| 1 | End of transmission (Initial value) [Setting conditions] <ul style="list-style-type: none"> The chip is reset or enters standby mode. The TE bit is cleared to 0 in SCR TDRE is 1 when the last bit of a serial character is transmitted |

Bit 1—Multiprocessor Bit (MPB): Stores the value of the multiprocessor bit in receive data when a multiprocessor format is used in asynchronous mode. MPB is a read-only bit and cannot be written.

| Bit 1 MPB | Description |
|--------------|--|
| 0 | Multiprocessor bit value in receive data is 0* (Initial value) |
| 1 | Multiprocessor bit value in receive data is 1 |

Note: * If the RE bit is cleared to 0 when a multiprocessor format is selected, MPB retains its previous value.

Bit 0—Multiprocessor Bit Transfer (MPBT): Stores the value of the multiprocessor bit added to transmit data when a multiprocessor format is selected for transmitting in asynchronous mode. The MPBT setting is ignored in synchronous mode, when a multiprocessor format is not selected, or when the SCI is not transmitting.

| Bit 0 MPBT | Description |
|---------------|--|
| 0 | Multiprocessor bit value in transmit data is 0 (Initial value) |
| 1 | Multiprocessor bit value in transmit data is 1 |

11.2.8 Bit Rate Register (BRR)

BRR is an 8-bit register that, together with the CKS1 and CKS0 bits in SMR that select the baud rate generator clock source, determines the serial communication bit rate.

| Bit | 7 | 6 | 5 | 4 | 3 | 2 | 1 | 0 |
|---------------|-----|-----|-----|-----|-----|-----|-----|-----|
| Initial value | 1 | 1 | 1 | 1 | 1 | 1 | 1 | 1 |
| Read/Write | R/W | R/W | R/W | R/W | R/W | R/W | R/W | R/W |

The CPU can always read and write BRR. BRR is initialized to H'FF by a reset and in standby mode.

The baud rate generator is controlled separately for the individual channels, so different values may be set for each.

Table 11.3 shows examples of BRR settings in asynchronous mode. Table 11.4 shows examples of BRR settings in synchronous mode.

Table 11.3 Examples of Bit Rates and BRR Settings in Asynchronous Mode

| Bit Rate (bits/s) | ϕ (MHz) | | | | | | | | | | | |
|----------------------|--------------|-----|-----------|----------|-----|-----------|--------|-----|-----------|---|-----|-----------|
| | 2 | | | 2.097152 | | | 2.4576 | | | 3 | | |
| | n | N | Error (%) | n | N | Error (%) | n | N | Error (%) | n | N | Error (%) |
| 110 | 1 | 141 | 0.03 | 1 | 148 | -0.04 | 1 | 174 | -0.26 | 1 | 212 | 0.03 |
| 150 | 1 | 103 | 0.16 | 1 | 108 | 0.21 | 1 | 127 | 0 | 1 | 155 | 0.16 |
| 300 | 0 | 207 | 0.16 | 0 | 217 | 0.21 | 0 | 255 | 0 | 1 | 77 | 0.16 |
| 600 | 0 | 103 | 0.16 | 0 | 108 | 0.21 | 0 | 127 | 0 | 0 | 155 | 0.16 |
| 1200 | 0 | 51 | 0.16 | 0 | 54 | -0.70 | 0 | 63 | 0 | 0 | 77 | 0.16 |
| 2400 | 0 | 25 | 0.16 | 0 | 26 | 1.14 | 0 | 31 | 0 | 0 | 38 | 0.16 |
| 4800 | 0 | 12 | 0.16 | 0 | 13 | -2.48 | 0 | 15 | 0 | 0 | 19 | -2.34 |
| 9600 | 0 | 6 | -6.99 | 0 | 6 | -2.48 | 0 | 7 | 0 | 0 | 9 | -2.34 |
| 19200 | 0 | 2 | 8.51 | 0 | 2 | 13.78 | 0 | 3 | 0 | 0 | 4 | -2.34 |
| 31250 | 0 | 1 | 0 | 0 | 1 | 4.86 | 0 | 1 | 22.88 | 0 | 2 | 0 |
| 38400 | 0 | 1 | -18.62 | 0 | 1 | -14.67 | 0 | 1 | 0 | — | — | — |

| Bit Rate (bits/s) | ϕ (MHz) | | | | | | | | | | | |
|----------------------|--------------|-----|-----------|---|-----|-----------|--------|-----|-----------|---|-----|-----------|
| | 3.6864 | | | 4 | | | 4.9152 | | | 5 | | |
| | n | N | Error (%) | n | N | Error (%) | n | N | Error (%) | n | N | Error (%) |
| 110 | 2 | 64 | 0.70 | 2 | 70 | 0.03 | 2 | 86 | 0.31 | 2 | 88 | -0.25 |
| 150 | 1 | 191 | 0 | 1 | 207 | 0.16 | 1 | 255 | 0 | 2 | 64 | 0.16 |
| 300 | 1 | 95 | 0 | 1 | 103 | 0.16 | 1 | 127 | 0 | 1 | 129 | 0.16 |
| 600 | 0 | 191 | 0 | 0 | 207 | 0.16 | 0 | 255 | 0 | 1 | 64 | 0.16 |
| 1200 | 0 | 95 | 0 | 0 | 103 | 0.16 | 0 | 127 | 0 | 0 | 129 | 0.16 |
| 2400 | 0 | 47 | 0 | 0 | 51 | 0.16 | 0 | 63 | 0 | 0 | 64 | 0.16 |
| 4800 | 0 | 23 | 0 | 0 | 25 | 0.16 | 0 | 31 | 0 | 0 | 32 | -1.36 |
| 9600 | 0 | 11 | 0 | 0 | 12 | 0.16 | 0 | 15 | 0 | 0 | 15 | 1.73 |
| 19200 | 0 | 5 | 0 | 0 | 6 | -6.99 | 0 | 7 | 0 | 0 | 7 | 1.73 |
| 31250 | — | — | — | 0 | 3 | 0 | 0 | 4 | -1.70 | 0 | 4 | 0 |
| 38400 | 0 | 2 | 0 | 0 | 2 | 8.51 | 0 | 3 | 0 | 0 | 3 | 1.73 |

| Bit Rate (bits/s) | ϕ (MHz) | | | | | | | | | | | |
|----------------------|--------------|-----|-----------|-------|-----|-----------|--------|-----|-----------|---|-----|-----------|
| | 6 | | | 6.144 | | | 7.3728 | | | 8 | | |
| | n | N | Error (%) | n | N | Error (%) | n | N | Error (%) | n | N | Error (%) |
| 110 | 2 | 106 | -0.44 | 2 | 108 | 0.08 | 2 | 130 | -0.07 | 2 | 141 | 0.03 |
| 150 | 1 | 77 | 0.16 | 2 | 79 | 0 | 2 | 95 | 0 | 2 | 103 | 0.16 |
| 300 | 1 | 155 | 0.16 | 1 | 159 | 0 | 1 | 191 | 0 | 1 | 207 | 0.16 |
| 600 | 1 | 77 | 0.16 | 1 | 79 | 0 | 1 | 95 | 0 | 1 | 103 | 0.16 |
| 1200 | 0 | 155 | 0.16 | 0 | 159 | 0 | 0 | 191 | 0 | 0 | 207 | 0.16 |
| 2400 | 0 | 77 | 0.16 | 0 | 79 | 0 | 0 | 95 | 0 | 0 | 103 | 0.16 |
| 4800 | 0 | 38 | 0.16 | 0 | 39 | 0 | 0 | 47 | 0 | 0 | 51 | 0.16 |
| 9600 | 0 | 19 | -2.34 | 0 | 19 | 0 | 0 | 23 | 0 | 0 | 25 | 0.16 |
| 19200 | 0 | 9 | -2.34 | 0 | 9 | 0 | 0 | 11 | 0 | 0 | 12 | 0.16 |
| 31250 | 0 | 5 | 0 | 0 | 5 | 2.40 | 0 | 6 | 5.33 | 0 | 7 | 0 |
| 38400 | 0 | 4 | -2.34 | 0 | 4 | 0 | 0 | 5 | 0 | 0 | 6 | -6.99 |

| Bit Rate (bits/s) | ϕ (MHz) | | | | | | | | | | | |
|----------------------|--------------|-----|-----------|----|-----|-----------|----|-----|-----------|--------|-----|-----------|
| | 9.8304 | | | 10 | | | 12 | | | 12.288 | | |
| | n | N | Error (%) | n | N | Error (%) | n | N | Error (%) | n | N | Error (%) |
| 110 | 2 | 174 | -0.26 | 2 | 177 | -0.25 | 2 | 212 | 0.03 | 2 | 217 | 0.08 |
| 150 | 2 | 127 | 0 | 2 | 129 | 0.16 | 2 | 155 | 0.16 | 2 | 159 | 0 |
| 300 | 1 | 255 | 0 | 2 | 64 | 0.16 | 2 | 77 | 0.16 | 2 | 79 | 0 |
| 600 | 1 | 127 | 0 | 1 | 129 | 0.16 | 1 | 155 | 0.16 | 1 | 159 | 0 |
| 1200 | 0 | 255 | 0 | 1 | 64 | 0.16 | 1 | 77 | 0.16 | 1 | 79 | 0 |
| 2400 | 0 | 127 | 0 | 0 | 129 | 0.16 | 0 | 155 | 0.16 | 0 | 159 | 0 |
| 4800 | 0 | 63 | 0 | 0 | 64 | 0.16 | 0 | 77 | 0.16 | 0 | 79 | 0 |
| 9600 | 0 | 31 | 0 | 0 | 32 | -1.36 | 0 | 38 | 0.16 | 0 | 39 | 0 |
| 19200 | 0 | 15 | 0 | 0 | 15 | 1.73 | 0 | 19 | -2.34 | 0 | 19 | 0 |
| 31250 | 0 | 9 | -1.70 | 0 | 9 | 0 | 0 | 11 | 0 | 0 | 11 | 2.40 |
| 38400 | 0 | 7 | 0 | 0 | 7 | 1.73 | 0 | 9 | -2.34 | 0 | 9 | 0 |

| Bit Rate (bits/s) | ϕ (MHz) | | | | | | | | | | | |
|----------------------|--------------|-----|-----------|---------|-----|-----------|----|-----|-----------|----|-----|-----------|
| | 14 | | | 14.7456 | | | 16 | | | 18 | | |
| | n | N | Error (%) | n | N | Error (%) | n | N | Error (%) | n | N | Error (%) |
| 110 | 2 | 248 | -0.17 | 3 | 64 | 0.70 | 3 | 70 | 0.03 | 3 | 79 | -0.12 |
| 150 | 2 | 181 | 0.16 | 2 | 191 | 0 | 2 | 207 | 0.16 | 2 | 233 | 0.16 |
| 300 | 2 | 90 | 0.16 | 2 | 95 | 0 | 2 | 103 | 0.16 | 2 | 116 | 0.16 |
| 600 | 1 | 181 | 0.16 | 1 | 191 | 0 | 1 | 207 | 0.16 | 1 | 233 | 0.16 |
| 1200 | 1 | 90 | 0.16 | 1 | 95 | 0 | 1 | 103 | 0.16 | 1 | 116 | 0.16 |
| 2400 | 0 | 181 | 0.16 | 0 | 191 | 0 | 0 | 207 | 0.16 | 0 | 233 | 0.16 |
| 4800 | 0 | 90 | 0.16 | 0 | 95 | 0 | 0 | 103 | 0.16 | 0 | 116 | 0.16 |
| 9600 | 0 | 45 | -0.93 | 0 | 47 | 0 | 0 | 51 | 0.16 | 0 | 58 | -0.69 |
| 19200 | 0 | 22 | -0.93 | 0 | 23 | 0 | 0 | 25 | 0.16 | 0 | 28 | 1.02 |
| 31250 | 0 | 11 | 0 | 0 | 14 | -1.70 | 0 | 15 | 0 | 0 | 17 | 0.00 |
| 38400 | 0 | 10 | 3.57 | 0 | 11 | 0 | 0 | 12 | 0.16 | 0 | 14 | -2.34 |

Table 11.4 Examples of Bit Rates and BRR Settings in Synchronous Mode

| Bit Rate (bits/s) | ϕ (MHz) | | | | | | | | | | | |
|----------------------|--------------|-----|---|-----|---|-----|----|-----|----|-----|----|-----|
| | 2 | | 4 | | 8 | | 10 | | 16 | | 18 | |
| | n | N | n | N | n | N | n | N | n | N | n | N |
| 110 | 3 | 70 | — | — | — | — | — | — | — | — | — | — |
| 250 | 2 | 124 | 2 | 249 | 3 | 124 | — | — | 3 | 249 | — | — |
| 500 | 1 | 249 | 2 | 124 | 2 | 249 | — | — | 3 | 124 | 3 | 140 |
| 1 k | 1 | 124 | 1 | 249 | 2 | 124 | — | — | 2 | 249 | 3 | 69 |
| 2.5 k | 0 | 199 | 1 | 99 | 1 | 199 | 1 | 249 | 2 | 99 | 2 | 112 |
| 5 k | 0 | 99 | 0 | 199 | 1 | 99 | 1 | 124 | 1 | 199 | 1 | 224 |
| 10 k | 0 | 49 | 0 | 99 | 0 | 199 | 0 | 249 | 1 | 99 | 1 | 112 |
| 25 k | 0 | 19 | 0 | 39 | 0 | 79 | 0 | 99 | 0 | 159 | 0 | 179 |
| 50 k | 0 | 9 | 0 | 19 | 0 | 39 | 0 | 49 | 0 | 79 | 0 | 89 |
| 100 k | 0 | 4 | 0 | 9 | 0 | 19 | 0 | 24 | 0 | 39 | 0 | 44 |
| 250 k | 0 | 1 | 0 | 3 | 0 | 7 | 0 | 9 | 0 | 15 | 0 | 17 |
| 500 k | 0 | 0* | 0 | 1 | 0 | 3 | 0 | 4 | 0 | 7 | 0 | 8 |
| 1 M | | | 0 | 0* | 0 | 1 | — | — | 0 | 3 | 0 | 4 |
| 2 M | | | | | 0 | 0* | — | — | 0 | 1 | — | — |
| 2.5 M | | | | | — | — | 0 | 0* | — | — | — | — |
| 4 M | | | | | | | | | 0 | 0* | — | — |

Legend:

Blank: No setting available

—: Setting possible, but error occurs

*: Continuous transmission/reception not possible

Note: Settings with an error of 1% or less are recommended.

The BRR setting is calculated as follows:

Asynchronous mode:

$$N = \frac{\phi}{64 \times 2^{2n-1} \times B} \times 10^6 - 1$$

Synchronous mode:

$$N = \frac{\phi}{8 \times 2^{2n-1} \times B} \times 10^6 - 1$$

B: Bit rate (bits/s)

N: BRR setting for baud rate generator ($0 \leq N \leq 255$)

ϕ : System clock frequency (MHz)

n: Baud rate generator clock source ($n = 0, 1, 2, 3$)

(For the clock sources and values of n, see the following table.)

| n | Clock Source | SMR Settings | |
|---|--------------|--------------|------|
| | | CKS1 | CKS0 |
| 0 | ϕ | 0 | 0 |
| 1 | $\phi/4$ | 0 | 1 |
| 2 | $\phi/16$ | 1 | 0 |
| 3 | $\phi/64$ | 1 | 1 |

The bit rate error in asynchronous mode is calculated as follows.

$$\text{Error (\%)} = \left\{ \frac{\phi \times 10^6}{(N + 1) \times B \times 64 \times 2^{2n-1}} - 1 \right\} \times 100$$

Table 11.5 indicates the maximum bit rates in asynchronous mode for various system clock frequencies. Tables 11.6 and 11.7 indicate the maximum bit rates with external clock input.

Table 11.5 Maximum Bit Rates for Various Frequencies (Asynchronous Mode)

| ϕ (MHz) | Maximum Bit Rate (bits/s) | Settings | |
|--------------|---------------------------|----------|---|
| | | n | N |
| 2 | 62500 | 0 | 0 |
| 2.097152 | 65536 | 0 | 0 |
| 2.4576 | 76800 | 0 | 0 |
| 3 | 93750 | 0 | 0 |
| 3.6864 | 115200 | 0 | 0 |
| 4 | 125000 | 0 | 0 |
| 4.9152 | 153600 | 0 | 0 |
| 5 | 156250 | 0 | 0 |
| 6 | 187500 | 0 | 0 |
| 6.144 | 192000 | 0 | 0 |
| 7.3728 | 230400 | 0 | 0 |
| 8 | 250000 | 0 | 0 |
| 9.8304 | 307200 | 0 | 0 |
| 10 | 312500 | 0 | 0 |
| 12 | 375000 | 0 | 0 |
| 12.288 | 384000 | 0 | 0 |
| 14 | 437500 | 0 | 0 |
| 14.7456 | 460800 | 0 | 0 |
| 16 | 500000 | 0 | 0 |
| 17.2032 | 537600 | 0 | 0 |
| 18 | 562500 | 0 | 0 |

Table 11.6 Maximum Bit Rates with External Clock Input (Asynchronous Mode)

| ϕ (MHz) | External Input Clock (MHz) | Maximum Bit Rate (bits/s) |
|--------------|----------------------------|---------------------------|
| 2 | 0.5000 | 31250 |
| 2.097152 | 0.5243 | 32768 |
| 2.4576 | 0.6144 | 38400 |
| 3 | 0.7500 | 46875 |
| 3.6864 | 0.9216 | 57600 |
| 4 | 1.0000 | 62500 |
| 4.9152 | 1.2288 | 76800 |
| 5 | 1.2500 | 78125 |
| 6 | 1.5000 | 93750 |
| 6.144 | 1.5360 | 96000 |
| 7.3728 | 1.8432 | 115200 |
| 8 | 2.0000 | 125000 |
| 9.8304 | 2.4576 | 153600 |
| 10 | 2.5000 | 156250 |
| 12 | 3.0000 | 187500 |
| 12.288 | 3.0720 | 192000 |
| 14 | 3.5000 | 218750 |
| 14.7456 | 3.6864 | 230400 |
| 16 | 4.0000 | 250000 |
| 17.2032 | 4.3008 | 268800 |
| 18 | 4.5000 | 281250 |

Table 11.7 Maximum Bit Rates with External Clock Input (Synchronous Mode)

| ϕ (MHz) | External Input Clock (MHz) | Maximum Bit Rate (bits/s) |
|--------------|----------------------------|---------------------------|
| 2 | 0.3333 | 333333.3 |
| 4 | 0.6667 | 666666.7 |
| 6 | 1.0000 | 1000000.0 |
| 8 | 1.3333 | 1333333.3 |
| 10 | 1.6667 | 1666666.7 |
| 12 | 2.0000 | 2000000.0 |
| 14 | 2.3333 | 2333333.3 |
| 16 | 2.6667 | 2666666.7 |
| 18 | 3.0000 | 3000000.0 |

11.3 Operation

11.3.1 Overview

The SCI has an asynchronous mode in which characters are synchronized individually, and a synchronous mode in which communication is synchronized with clock pulses. Serial communication is possible in either mode. Asynchronous or synchronous mode and the communication format are selected in SMR, as shown in table 11.8. The SCI clock source is selected by the C/\bar{A} bit in SMR and the CKE1 and CKE0 bits in SCR, as shown in table 11.9.

Asynchronous Mode:

- Data length is selectable: 7 or 8 bits.
- Parity and multiprocessor bits are selectable, and so is the stop bit length (1 or 2 bits). These selections determine the communication format and character length.
- In receiving, it is possible to detect framing errors, parity errors, overrun errors, and the break state.
- An internal or external clock can be selected as the SCI clock source.
 - When an internal clock is selected, the SCI operates using the on-chip baud rate generator, and can output a serial clock signal with a frequency matching the bit rate.
 - When an external clock is selected, the external clock input must have a frequency 16 times the bit rate. (The on-chip baud rate generator is not used.)

Synchronous Mode:

- The communication format has a fixed 8-bit data length.
- In receiving, it is possible to detect overrun errors.
- An internal or external clock can be selected as the SCI clock source.
 - When an internal clock is selected, the SCI operates using the on-chip baud rate generator, and outputs a serial clock signal to external devices.
 - When an external clock is selected, the SCI operates on the input serial clock. The on-chip baud rate generator is not used.

Table 11.8 SMR Settings and Serial Communication Formats

| SMR Settings | | | | | SCI Communication Format | | | | | |
|-----------------------|--------------|-------------|-------------|---------------|--|----------------|----------------------------|---------------|-----------------------|-------|
| Bit 7 C/ \bar{A} | Bit 6 CHR | Bit 2 MP | Bit 5 PE | Bit 3 STOP | Mode | Data Length | Multi- processor Bit | Parity Bit | Stop Bit Length | |
| 0 | 0 | 0 | 0 | 0 | Asynchronous mode | 8-bit data | Absent | Absent | 1 bit | |
| 0 | 0 | 0 | 0 | 1 | | | | | 2 bits | |
| 0 | 0 | 0 | 1 | 0 | | | | | Present | 1 bit |
| 0 | 0 | 0 | 1 | 1 | | | | | 2 bits | |
| 0 | 1 | 0 | 0 | 0 | | 7-bit data | Absent | Absent | 1 bit | |
| 0 | 1 | 0 | 0 | 1 | | | | | 2 bits | |
| 0 | 1 | 0 | 1 | 0 | | | | | Present | 1 bit |
| 0 | 1 | 0 | 1 | 1 | | | | | 2 bits | |
| 0 | 0 | 1 | — | 0 | Asynchronous mode (multi- processor format) | 8-bit data | Present | Absent | 1 bit | |
| 0 | 0 | 1 | — | 1 | | | | | 2 bits | |
| 0 | 1 | 1 | — | 0 | | 7-bit data | Present | Present | 1 bit | |
| 0 | 1 | 1 | — | 1 | | | | | 2 bits | |
| 1 | — | — | — | — | Synchronous mode | 8-bit data | Absent | Absent | None | |

Table 11.9 SMR and SCR Settings and SCI Clock Source Selection

| SMR | SCR Settings | | Mode | SCI Communication Format | |
|-----------------------|---------------|---------------|----------------------|--------------------------|--|
| Bit 7 C/ \bar{A} | Bit 1 CKE1 | Bit 0 CKE0 | | Clock Source | SCK Pin Function |
| 0 | 0 | 0 | Asynchronous mode | Internal | SCI does not use the SCK pin |
| 0 | 0 | 1 | | | Outputs a clock with frequency matching the bit rate |
| 0 | 1 | 0 | | External | Inputs a clock with frequency 16 times the bit rate |
| 0 | 1 | 1 | | | |
| 1 | 0 | 0 | Synchronous mode | Internal | Outputs the serial clock |
| 1 | 0 | 1 | | | |
| 1 | 1 | 0 | | External | Inputs the serial clock |
| 1 | 1 | 1 | | | |

Communication Formats

Table 11.10 shows the 12 communication formats that can be selected in asynchronous mode. The format is selected by settings in SMR.

Table 11.10 Serial Communication Formats (Asynchronous Mode)

| SMR Settings | | | | Serial Communication Format and Frame Length | | | | | | | | | | | | |
|--------------|----|----|------|--|------------|---|---|---|---|---|---|------|------|------|------|--|
| CHR | PE | MP | STOP | 1 | 2 | 3 | 4 | 5 | 6 | 7 | 8 | 9 | 10 | 11 | 12 | |
| 0 | 0 | 0 | 0 | S | 8-bit data | | | | | | | | STOP | | | |
| 0 | 0 | 0 | 1 | S | 8-bit data | | | | | | | | STOP | STOP | | |
| 0 | 1 | 0 | 0 | S | 8-bit data | | | | | | | | P | STOP | | |
| 0 | 1 | 0 | 1 | S | 8-bit data | | | | | | | | P | STOP | STOP | |
| 1 | 0 | 0 | 0 | S | 7-bit data | | | | | | | STOP | | | | |
| 1 | 0 | 0 | 1 | S | 7-bit data | | | | | | | STOP | STOP | | | |
| 1 | 1 | 0 | 0 | S | 7-bit data | | | | | | | P | STOP | | | |
| 1 | 1 | 0 | 1 | S | 7-bit data | | | | | | | P | STOP | STOP | | |
| 0 | — | 1 | 0 | S | 8 bit data | | | | | | | | MPB | STOP | | |
| 0 | — | 1 | 1 | S | 8 bit data | | | | | | | | MPB | STOP | STOP | |
| 1 | — | 1 | 0 | S | 7-bit data | | | | | | | MPB | STOP | | | |
| 1 | — | 1 | 1 | S | 7-bit data | | | | | | | MPB | STOP | STOP | | |

Legend:

S: Start bit

STOP: Stop bit

P: Parity bit

MPB: Multiprocessor bit

Clock

An internal clock generated by the on-chip baud rate generator or an external clock input from the SCK pin can be selected as the SCI transmit/receive clock. The clock source is selected by the C/\bar{A} bit in SMR and bits CKE1 and CKE0 in SCR. See table 11.9.

When an external clock is input at the SCK pin, it must have a frequency equal to 16 times the desired bit rate.

When the SCI operates on an internal clock, it can output a clock signal at the SCK pin. The frequency of this output clock is equal to the bit rate. The phase is aligned as in figure 11.3 so that the rising edge of the clock occurs at the center of each transmit data bit.

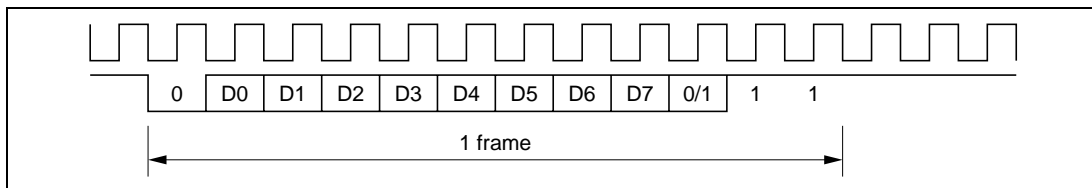


Figure 11.3 Phase Relationship between Output Clock and Serial Data (Asynchronous Mode)

Transmitting and Receiving Data

SCI Initialization (Asynchronous Mode): Before transmitting or receiving, clear the TE and RE bits to 0 in SCR, then initialize the SCI as follows.

When changing the communication mode or format, always clear the TE and RE bits to 0 before following the procedure given below. Clearing TE to 0 sets the TDRE flag to 1 and initializes TSR. Clearing RE to 0, however, does not initialize the RDRF, PER, FER, and ORER flags and RDR, which retain their previous contents.

When an external clock is used, the clock should not be stopped during initialization or subsequent operation. SCI operation becomes unreliable if the clock is stopped.

Figure 11.4 shows a sample flowchart for initializing the SCI.

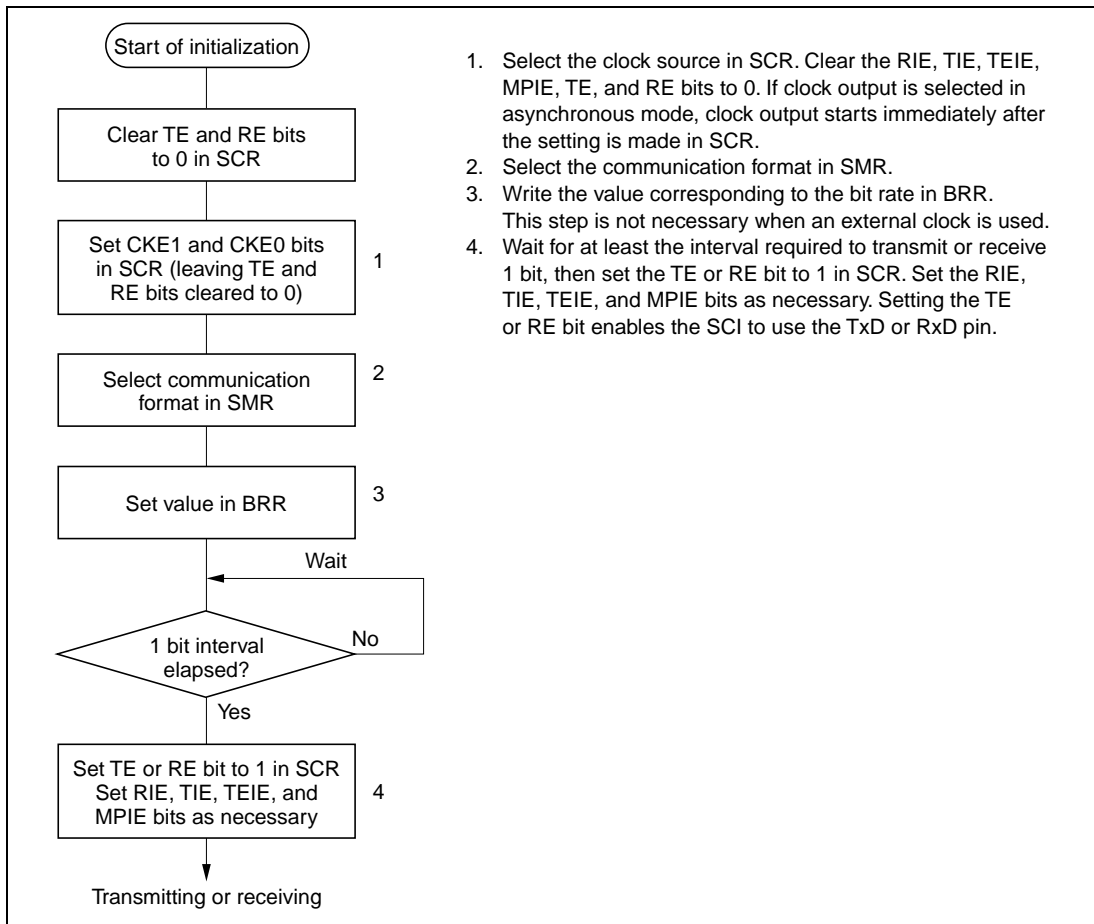


Figure 11.4 Sample Flowchart for SCI Initialization

Transmitting Serial Data (Asynchronous Mode): Figure 11.5 shows a sample flowchart for transmitting serial data and indicates the procedure to follow.

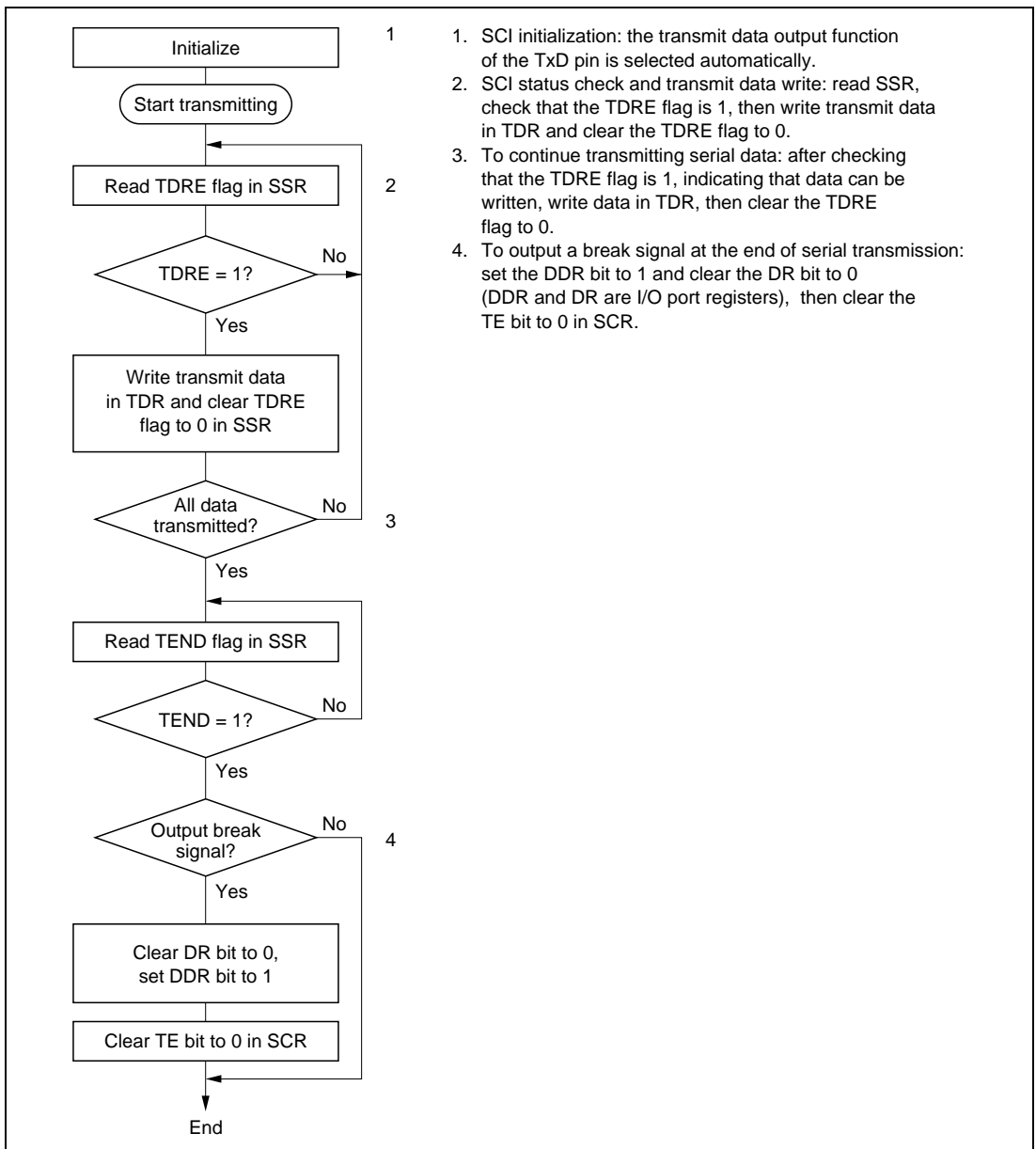


Figure 11.5 Sample Flowchart for Transmitting Serial Data

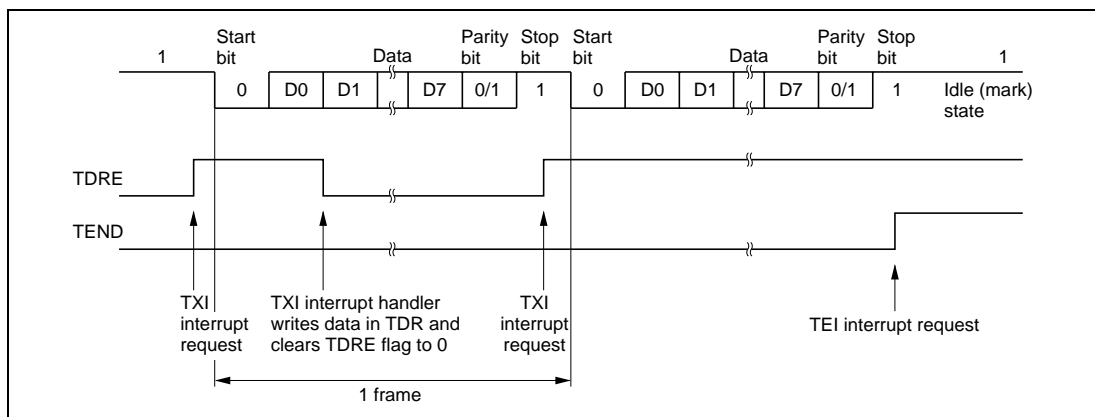
In transmitting serial data, the SCI operates as follows.

- The SCI monitors the TDRE flag in SSR. When the TDRE flag is cleared to 0 the SCI recognizes that TDR contains new data, and loads this data from TDR into TSR.
- After loading the data from TDR into TSR, the SCI sets the TDRE flag to 1 and starts transmitting. If the TIE bit is set to 1 in SCR, the SCI requests a transmit-data-empty interrupt (TXI) at this time.

Serial transmit data is transmitted in the following order from the TxD pin:

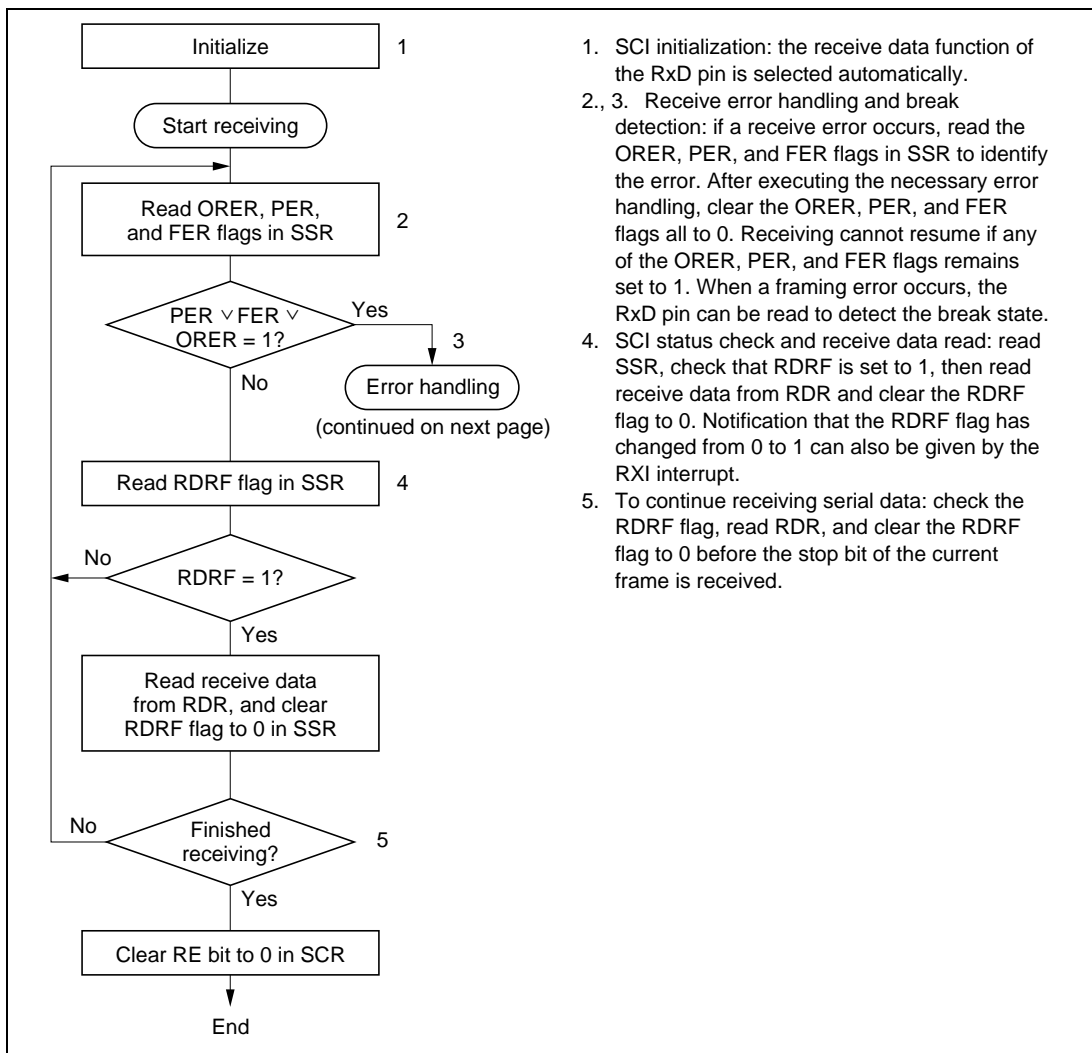
- Start bit: One 0 bit is output.
 - Transmit data: 7 or 8 bits are output, LSB first.
 - Parity bit or multiprocessor bit: One parity bit (even or odd parity) or one multiprocessor bit is output. Formats in which neither a parity bit nor a multiprocessor bit is output can also be selected.
 - Stop bit: One or two 1 bits (stop bits) are output.
 - Mark state: Output of 1 continues until the start bit of the next transmit data.
- The SCI checks the TDRE flag when it outputs the stop bit. If the TDRE flag is 0, the SCI loads new data from TDR into TSR, outputs the stop bit, then begins serial transmission of the next frame. If the TDRE flag is 1, the SCI sets the TEND flag to 1 in SSR, outputs the stop bit, then continues output of 1 in the mark state. If the TEIE bit is set to 1 in SCR, a transmit-end interrupt (TEI) is requested at this time.

Figure 11.6 shows an example of SCI transmit operation in asynchronous mode.



**Figure 11.6 Example of SCI Transmit Operation in Asynchronous Mode
(8-Bit Data with Parity and 1 Stop Bit)**

Receiving Serial Data (Asynchronous Mode): Figure 11.7 shows a sample flowchart for receiving serial data and indicates the procedure to follow.



1. SCI initialization: the receive data function of the RxD pin is selected automatically.
- 2., 3. Receive error handling and break detection: if a receive error occurs, read the ORER, PER, and FER flags in SSR to identify the error. After executing the necessary error handling, clear the ORER, PER, and FER flags all to 0. Receiving cannot resume if any of the ORER, PER, and FER flags remains set to 1. When a framing error occurs, the RxD pin can be read to detect the break state.
4. SCI status check and receive data read: read SSR, check that RDRF is set to 1, then read receive data from RDR and clear the RDRF flag to 0. Notification that the RDRF flag has changed from 0 to 1 can also be given by the RXI interrupt.
5. To continue receiving serial data: check the RDRF flag, read RDR, and clear the RDRF flag to 0 before the stop bit of the current frame is received.

Figure 11.7 Sample Flowchart for Receiving Serial Data (1)

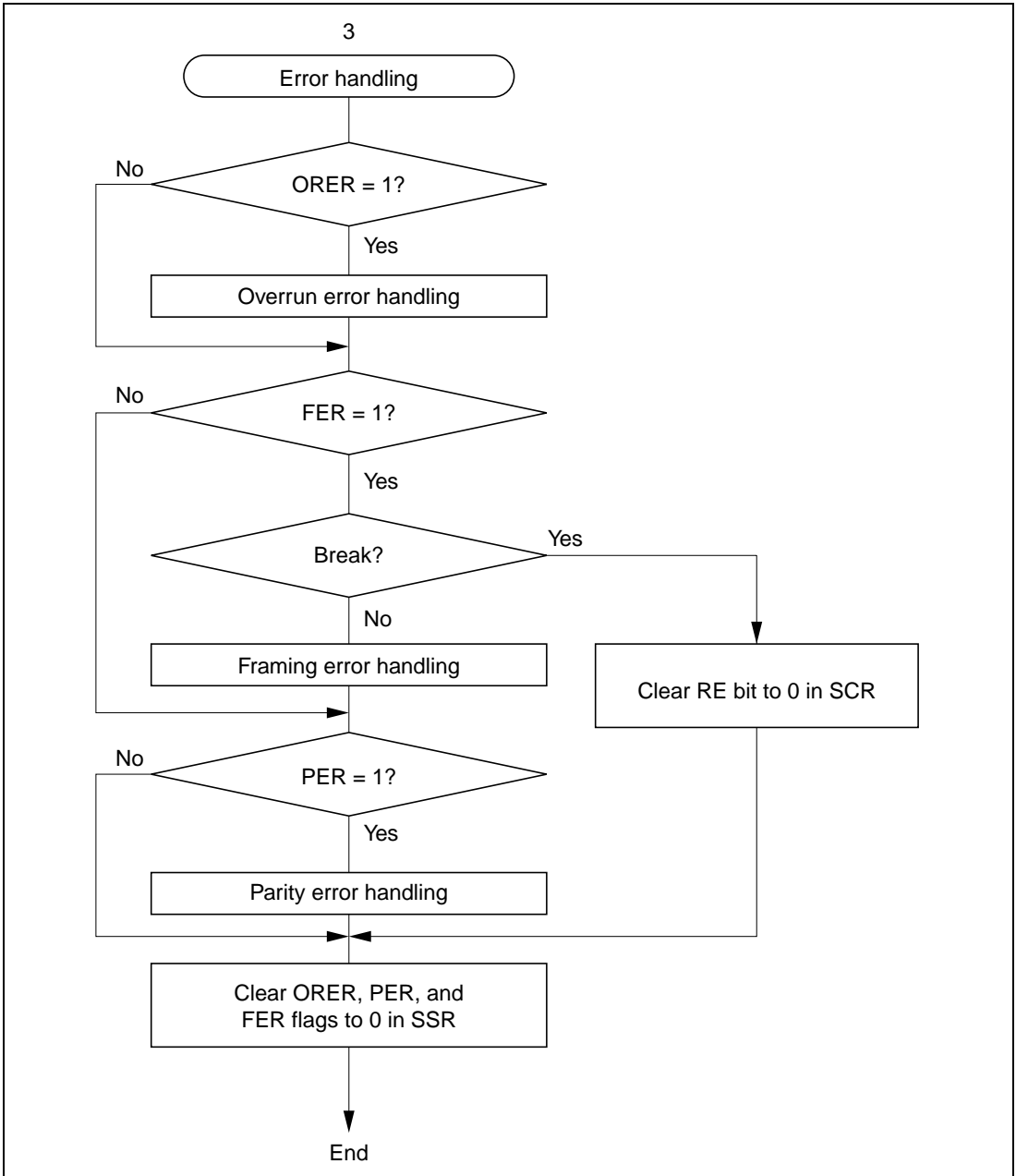


Figure 11.7 Sample Flowchart for Receiving Serial Data (2)

In receiving, the SCI operates as follows.

- The SCI monitors the receive data line. When it detects a start bit, the SCI synchronizes internally and starts receiving.
- Receive data is stored in RSR in order from LSB to MSB.
- The parity bit and stop bit are received.

After receiving data, the SCI makes the following checks:

- Parity check: The number of 1s in the receive data must match the even or odd parity setting of the O/\bar{E} bit in SMR.
- Stop bit check: The stop bit value must be 1. If there are two stop bits, only the first stop bit is checked.
- Status check: The RDRF flag must be 0 so that receive data can be transferred from RSR into RDR.

If these checks all pass, the RDRF flag is set to 1 and the received data is stored in RDR. If one of the checks fails (receive error)*, the SCI operates as indicated in table 11.11.

Note: * When a receive error occurs, further receiving is disabled. In receiving, the RDRF flag is not set to 1. Be sure to clear the error flags.

- When the RDRF flag is set to 1, if the RIE bit is set to 1 in SCR, a receive-data-full interrupt (RXI) is requested. If the ORER, PER, or FER flag is set to 1 and the RIE bit in SCR is also set to 1, a receive-error interrupt (ERI) is requested.

Table 11.11 Receive Error Conditions

| Receive Error | Abbreviation | Condition | Data Transfer |
|---------------|--------------|--|--|
| Overrun error | ORER | Receiving of next data ends while RDRF flag is still set to 1 in SSR | Receive data not transferred from RSR to RDR |
| Framing error | FER | Stop bit is 0 | Receive data transferred from RSR to RDR |
| Parity error | PER | Parity of receive data differs from even/odd parity setting in SMR | Receive data transferred from RSR to RDR |

Figure 11.8 shows an example of SCI receive operation in asynchronous mode.

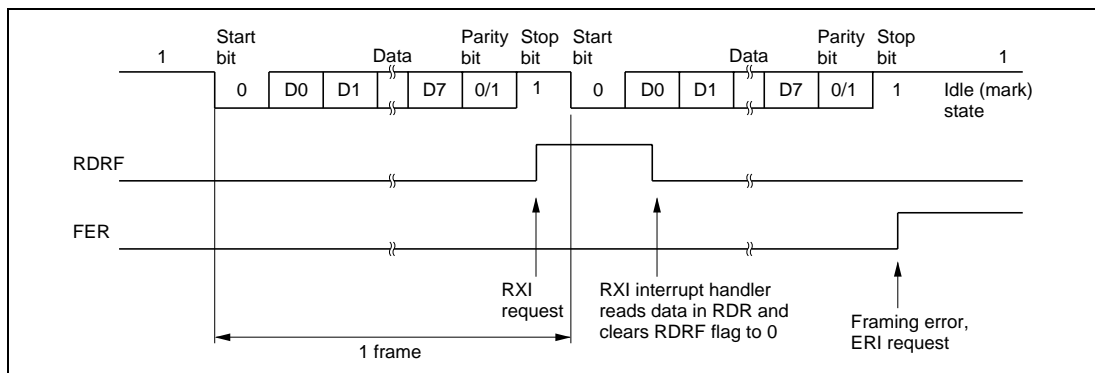


Figure 11.8 Example of SCI Receive Operation (8-Bit Data with Parity and One Stop Bit)

11.3.3 Multiprocessor Communication

The multiprocessor communication function enables several processors to share a single serial communication line. The processors communicate in asynchronous mode using a format with an additional multiprocessor bit (multiprocessor format).

In multiprocessor communication, each receiving processor is addressed by an ID. A serial communication cycle consists of an ID-sending cycle that identifies the receiving processor, and a data-sending cycle. The multiprocessor bit distinguishes ID-sending cycles from data-sending cycles.

The transmitting processor starts by sending the ID of the receiving processor with which it wants to communicate as data with the multiprocessor bit set to 1. Next the transmitting processor sends transmit data with the multiprocessor bit cleared to 0.

Receiving processors skip incoming data until they receive data with the multiprocessor bit set to 1. When they receive data with the multiprocessor bit set to 1, receiving processors compare the data with their IDs. The receiving processor with a matching ID continues to receive further incoming data. Processors with IDs not matching the received data skip further incoming data until they again receive data with the multiprocessor bit set to 1. Multiple processors can send and receive data in this way.

Figure 11.9 shows an example of communication among different processors using a multiprocessor format.

Communication Formats

Four formats are available. Parity-bit settings are ignored when a multiprocessor format is selected. For details see table 11.11.

Clock

See the description of asynchronous mode.

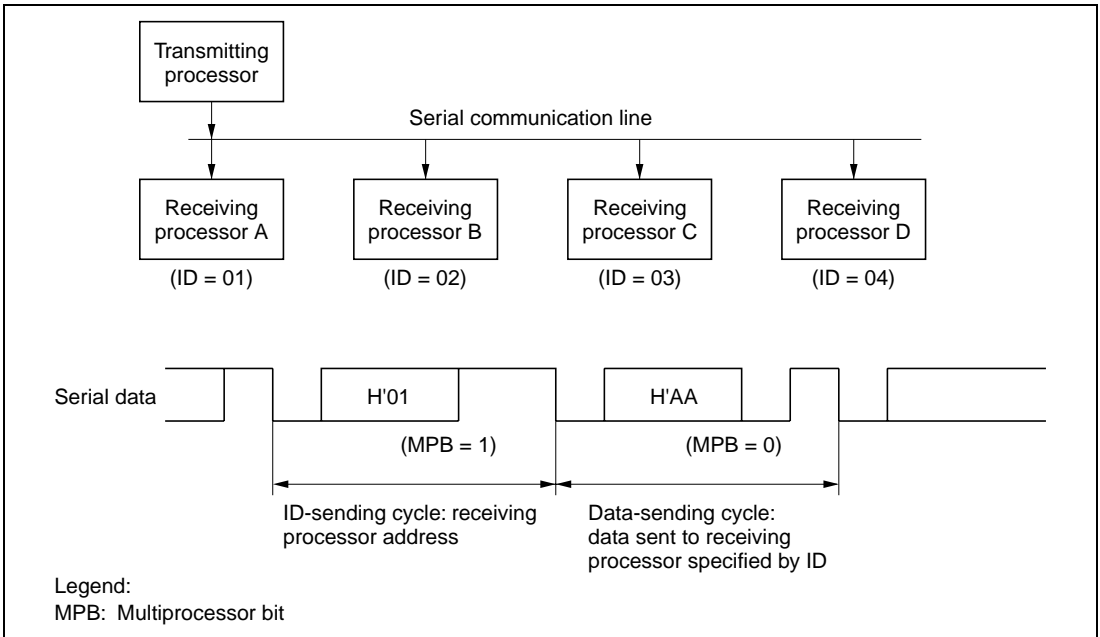


Figure 11.9 Example of Communication among Processors using Multiprocessor Format (Sending Data H'AA to Receiving Processor A)

Transmitting and Receiving Data

Transmitting Multiprocessor Serial Data: Figure 11.10 shows a sample flowchart for transmitting multiprocessor serial data and indicates the procedure to follow.

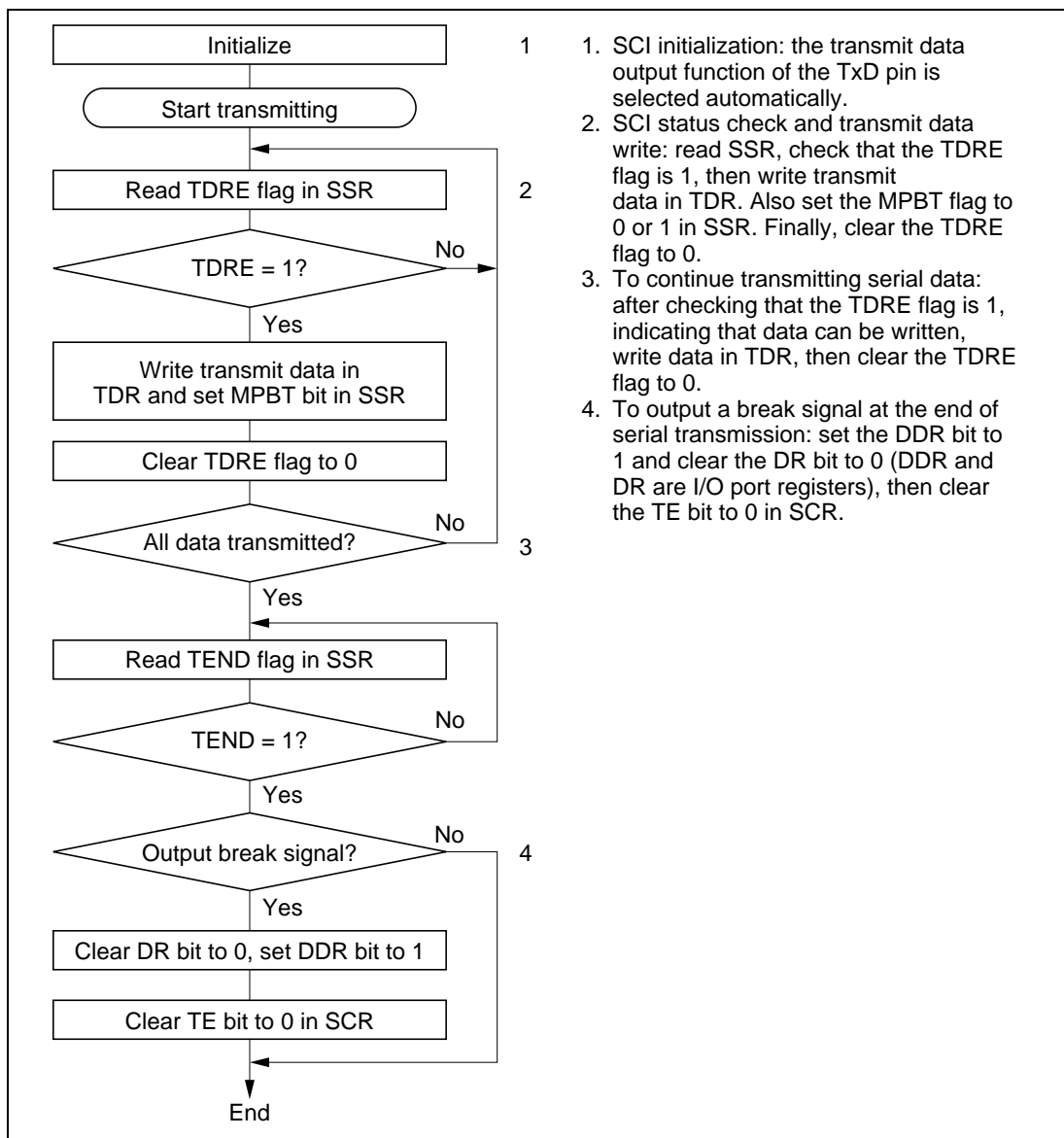


Figure 11.10 Sample Flowchart for Transmitting Multiprocessor Serial Data

In transmitting serial data, the SCI operates as follows.

- The SCI monitors the TDRE flag in SSR. When the TDRE flag is cleared to 0 the SCI recognizes that TDR contains new data, and loads this data from TDR into TSR.
- After loading the data from TDR into TSR, the SCI sets the TDRE flag to 1 and starts transmitting. If the TIE bit in SCR is set to 1, the SCI requests a transmit-data-empty interrupt (TXI) at this time.

Serial transmit data is transmitted in the following order from the TxD pin:

- Start bit: One 0 bit is output.
- Transmit data: 7 or 8 bits are output, LSB first.
- Multiprocessor bit: One multiprocessor bit (MPBT value) is output.
- Stop bit: One or two 1 bits (stop bits) are output.
- Mark state: Output of 1 bits continues until the start bit of the next transmit data.

- The SCI checks the TDRE flag when it outputs the stop bit. If the TDRE flag is 0, the SCI loads data from TDR into TSR, outputs the stop bit, then begins serial transmission of the next frame. If the TDRE flag is 1, the SCI sets the TEND flag in SSR to 1, outputs the stop bit, then continues output of 1 bits in the mark state. If the TEIE bit is set to 1 in SCR, a transmit-end interrupt (TEI) is requested at this time.

Figure 11.11 shows an example of SCI transmit operation using a multiprocessor format.

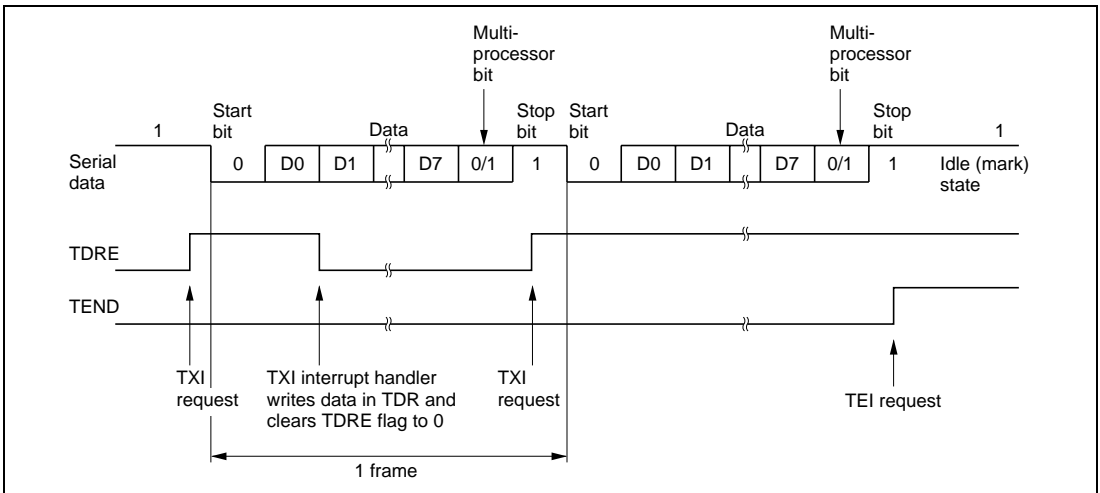


Figure 11.11 Example of SCI Transmit Operation (8-Bit Data with Multiprocessor Bit and One Stop Bit)

Receiving Multiprocessor Serial Data: Figure 11.12 shows a sample flowchart for receiving multiprocessor serial data and indicates the procedure to follow.

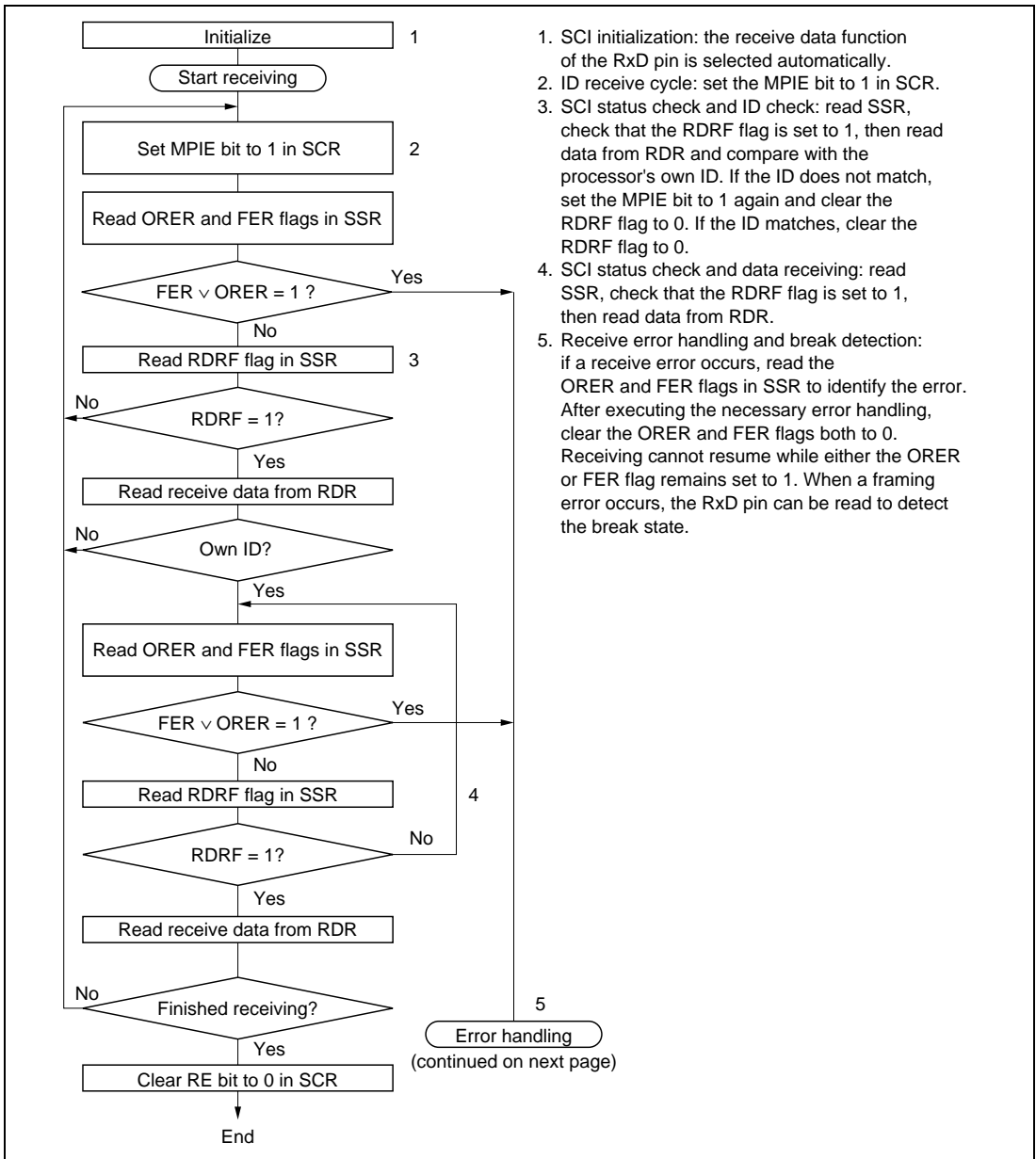


Figure 11.12 Sample Flowchart for Receiving Multiprocessor Serial Data (1)

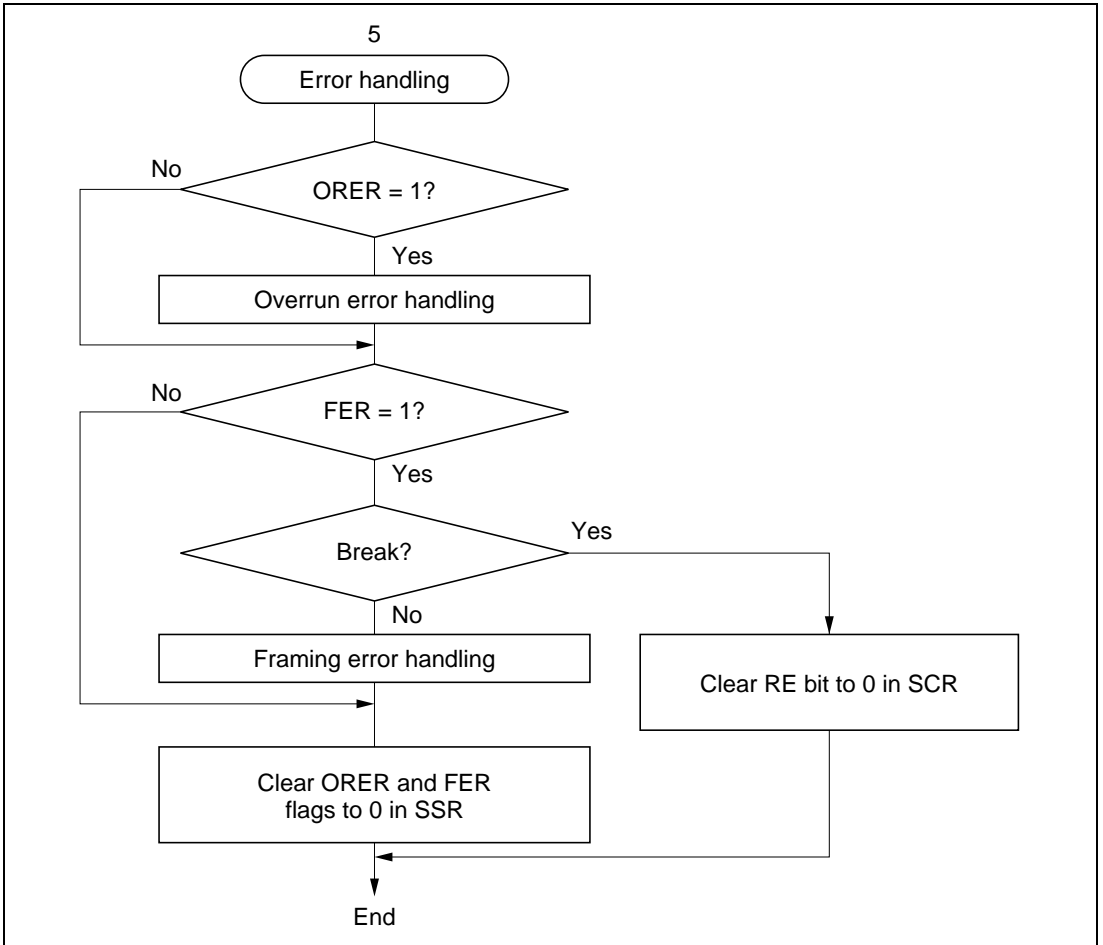


Figure 11.12 Sample Flowchart for Receiving Multiprocessor Serial Data (2)

Figure 11.13 shows an example of SCI receive operation using a multiprocessor format.

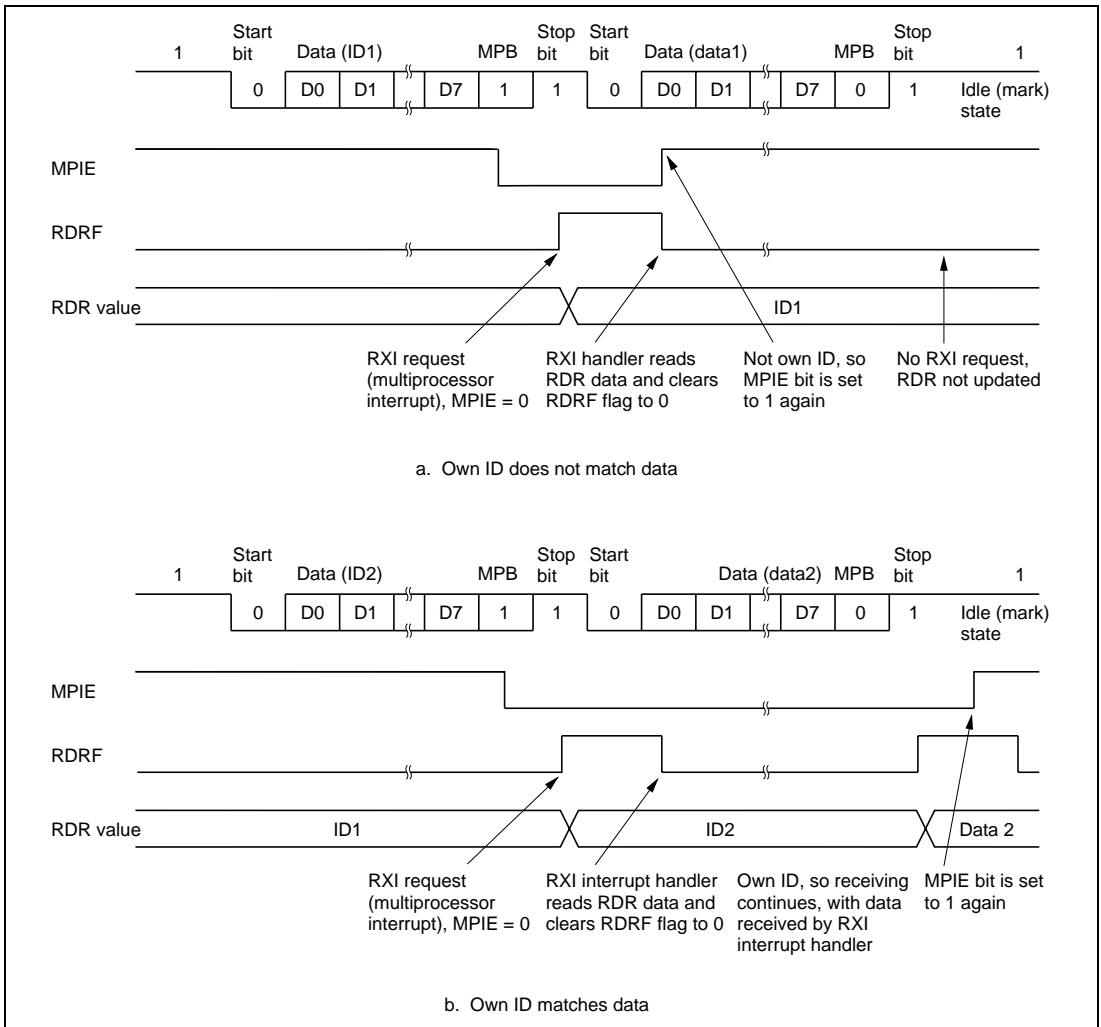


Figure 11.13 Example of SCI Receive Operation (8-Bit Data with Multiprocessor Bit and One Stop Bit)

11.3.4 Synchronous Operation

In synchronous mode, the SCI transmits and receives data in synchronization with clock pulses. This mode is suitable for high-speed serial communication.

The SCI transmitter and receiver share the same clock but are otherwise independent, so full duplex communication is possible. The transmitter and receiver are also double buffered, so continuous transmitting or receiving is possible by reading or writing data while transmitting or receiving is in progress.

Figure 11.14 shows the general format in synchronous serial communication.

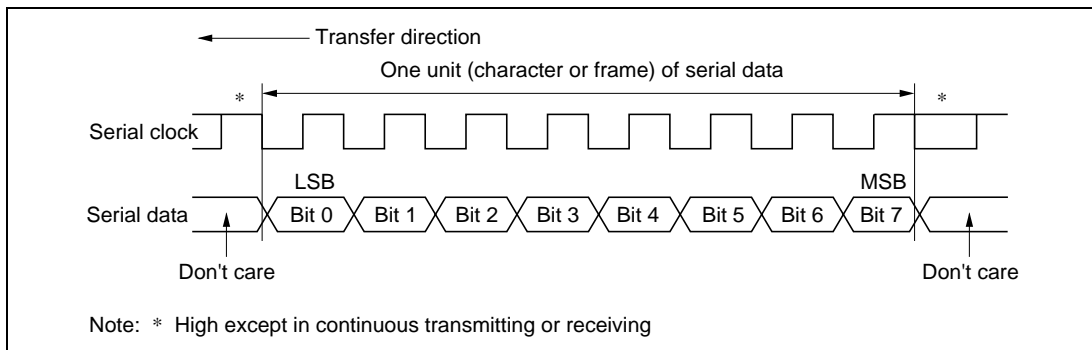


Figure 11.14 Data Format in Synchronous Communication

In synchronous serial communication, each data bit is placed on the communication line from one falling edge of the serial clock to the next. Data is guaranteed valid at the rise of the serial clock. In each character, the serial data bits are transmitted in order from LSB (first) to MSB (last). After output of the MSB, the communication line remains in the state of the MSB. In synchronous mode the SCI receives data by synchronizing with the rise of the serial clock.

Communication Format

The data length is fixed at 8 bits. No parity bit or multiprocessor bit can be added.

Clock

An internal clock generated by the on-chip baud rate generator or an external clock input from the SCK pin can be selected by clearing or setting the CKE1 and CKE0 bits in SCR and the $\overline{C/A}$ bit in SMR. See table 11.9. When the SCI operates on an internal clock, it outputs the clock signal at the SCK pin. Eight clock pulses are output per transmitted or received character. When the SCI is not transmitting or receiving, the clock signal remains in the high state.

Transmitting and Receiving Data

SCI Initialization (Synchronous Mode): Before transmitting or receiving, clear the TE and RE bits to 0 in SCR, then initialize the SCI as follows.

When changing the communication mode or format, always clear the TE and RE bits to 0 before following the procedure given below. Clearing the TE bit to 0 sets the TDRE flag to 1 and initializes TSR. Clearing the RE bit to 0, however, does not initialize the RDRF, PER, FER, and ORE flags and RDR, which retain their previous contents.

Figure 11.15 shows a sample flowchart for initializing the SCI.

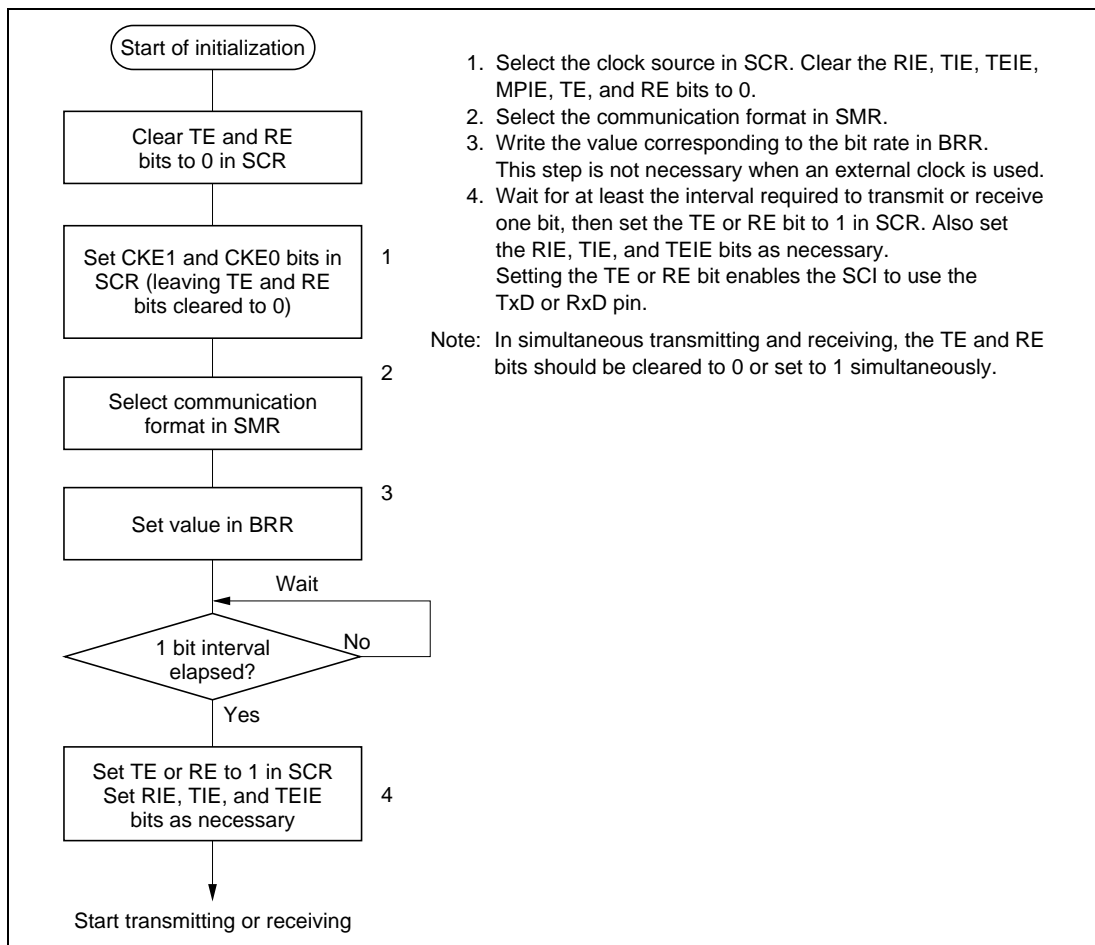
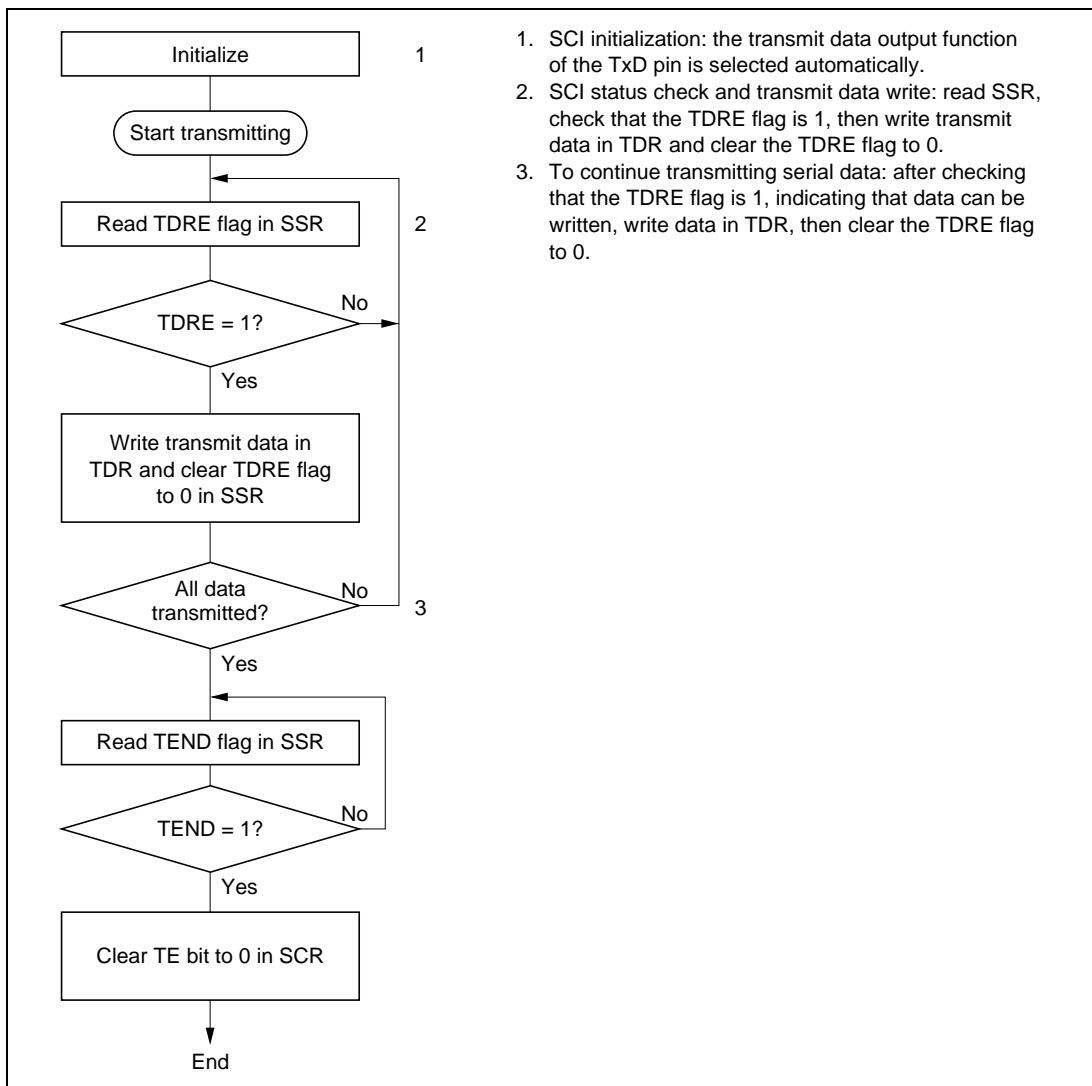


Figure 11.15 Sample Flowchart for SCI Initialization

Transmitting Serial Data (Synchronous Mode): Figure 11.16 shows a sample flowchart for transmitting serial data and indicates the procedure to follow.



1. SCI initialization: the transmit data output function of the TxD pin is selected automatically.
2. SCI status check and transmit data write: read SSR, check that the TDRE flag is 1, then write transmit data in TDR and clear the TDRE flag to 0.
3. To continue transmitting serial data: after checking that the TDRE flag is 1, indicating that data can be written, write data in TDR, then clear the TDRE flag to 0.

Figure 11.16 Sample Flowchart for Serial Transmitting

In transmitting serial data, the SCI operates as follows.

- The SCI monitors the TDRE flag in SSR. When the TDRE flag is cleared to 0 the SCI recognizes that TDR contains new data, and loads this data from TDR into TSR.
- After loading the data from TDR into TSR, the SCI sets the TDRE flag to 1 and starts transmitting. If the TIE bit is set to 1 in SCR, the SCI requests a transmit-data-empty interrupt (TXI) at this time.

If clock output is selected, the SCI outputs eight serial clock pulses. If an external clock source is selected, the SCI outputs data in synchronization with the input clock. Data is output from the TxD pin in order from LSB (bit 0) to MSB (bit 7).

- The SCI checks the TDRE flag when it outputs the MSB (bit 7). If the TDRE flag is 0, the SCI loads data from TDR into TSR and begins serial transmission of the next frame. If the TDRE flag is 1, the SCI sets the TEND flag to 1 in SSR, and after transmitting the MSB, holds the TxD pin in the MSB state. If the TEIE bit in SCR is set to 1, a transmit-end interrupt (TEI) is requested at this time.
- After the end of serial transmission, the SCK pin is held in a constant state.

Figure 11.17 shows an example of SCI transmit operation.

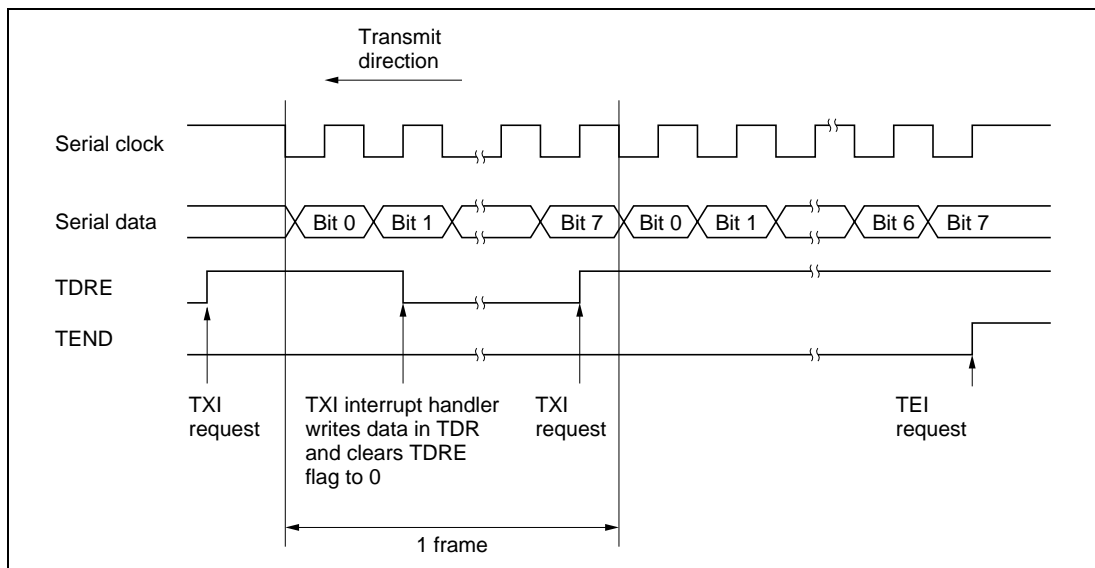
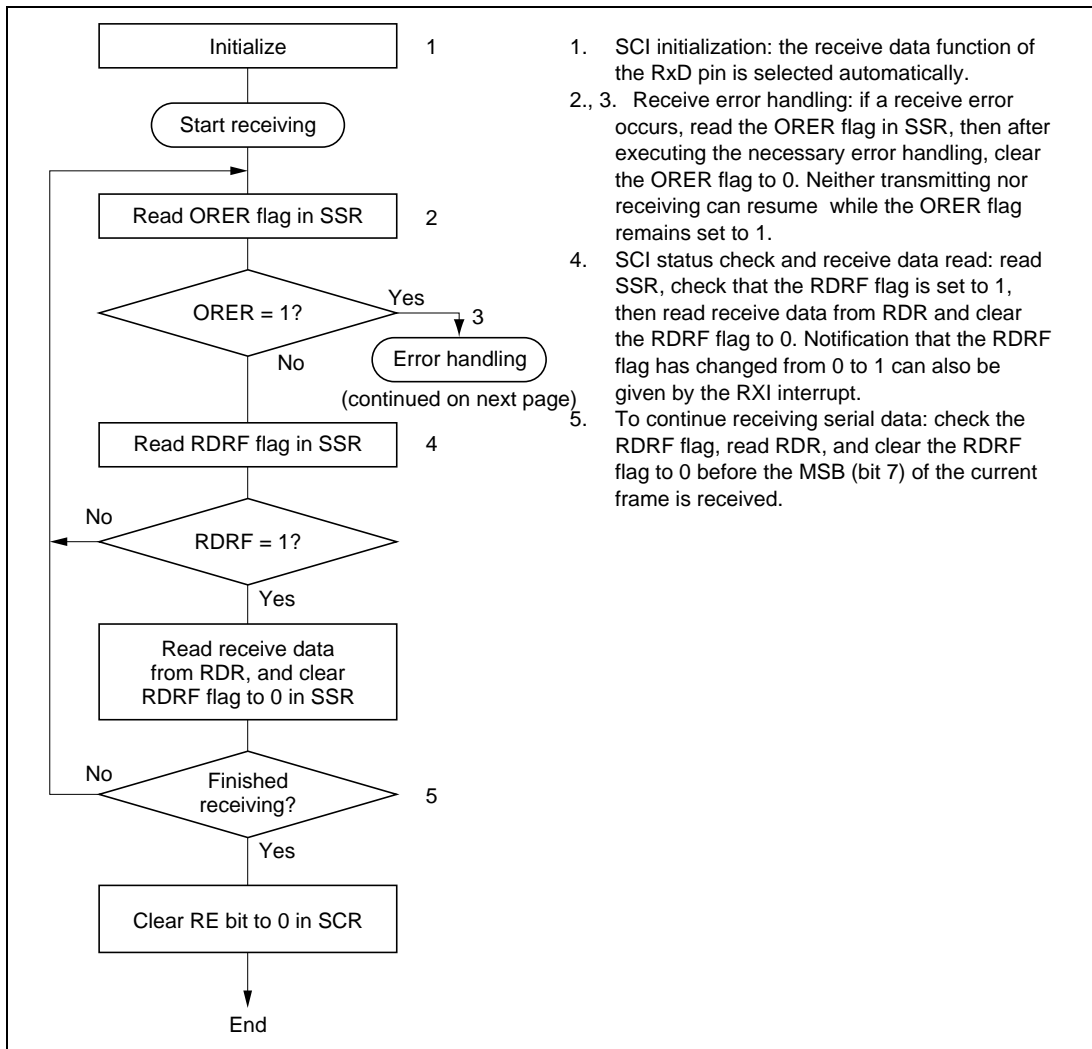


Figure 11.17 Example of SCI Transmit Operation

Receiving Serial Data (Synchronous Mode): Figure 11.18 shows a sample flowchart for receiving serial data and indicates the procedure to follow. When switching from asynchronous mode to synchronous mode, make sure that the ORER, PER, and FER flags are cleared to 0. If the FER or PER flag is set to 1 the RDRF flag will not be set and both transmitting and receiving will be disabled.



1. SCI initialization: the receive data function of the RxD pin is selected automatically.
- 2., 3. Receive error handling: if a receive error occurs, read the ORER flag in SSR, then after executing the necessary error handling, clear the ORER flag to 0. Neither transmitting nor receiving can resume while the ORER flag remains set to 1.
4. SCI status check and receive data read: read SSR, check that the RDRF flag is set to 1, then read receive data from RDR and clear the RDRF flag to 0. Notification that the RDRF flag has changed from 0 to 1 can also be given by the RXI interrupt. To continue receiving serial data: check the RDRF flag, read RDR, and clear the RDRF flag to 0 before the MSB (bit 7) of the current frame is received.

Figure 11.18 Sample Flowchart for Serial Receiving (1)

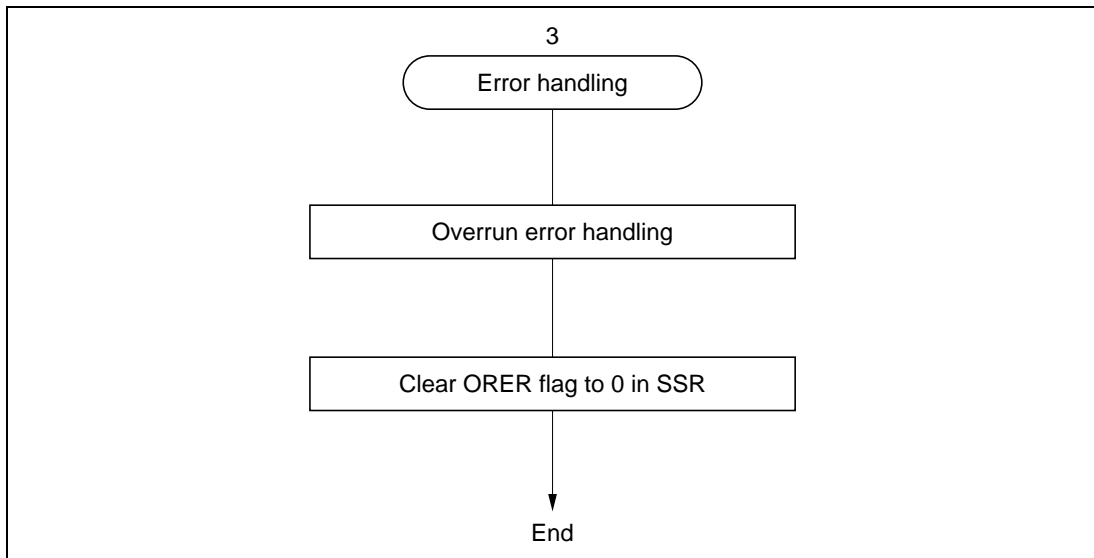


Figure 11.18 Sample Flowchart for Serial Receiving (2)

In receiving, the SCI operates as follows.

- The SCI synchronizes with serial clock input or output and initializes internally.
- Receive data is stored in RSR in order from LSB to MSB.
After receiving the data, the SCI checks that the RDRF flag is 0 so that receive data can be transferred from RSR to RDR. If this check passes, the RDRF flag is set to 1 and the received data is stored in RDR. If the check does not pass (receive error), the SCI operates as indicated in table 11.11. If any receive error is detected, the subsequent data transmission/reception is disabled.
- After setting the RDRF flag to 1, if the RIE bit is set to 1 in SCR, the SCI requests a receive-data-full interrupt (RXI). If the ORER flag is set to 1 and the RIE bit in SCR is also set to 1, the SCI requests a receive-error interrupt (ERI).

Figure 11.19 shows an example of SCI receive operation.

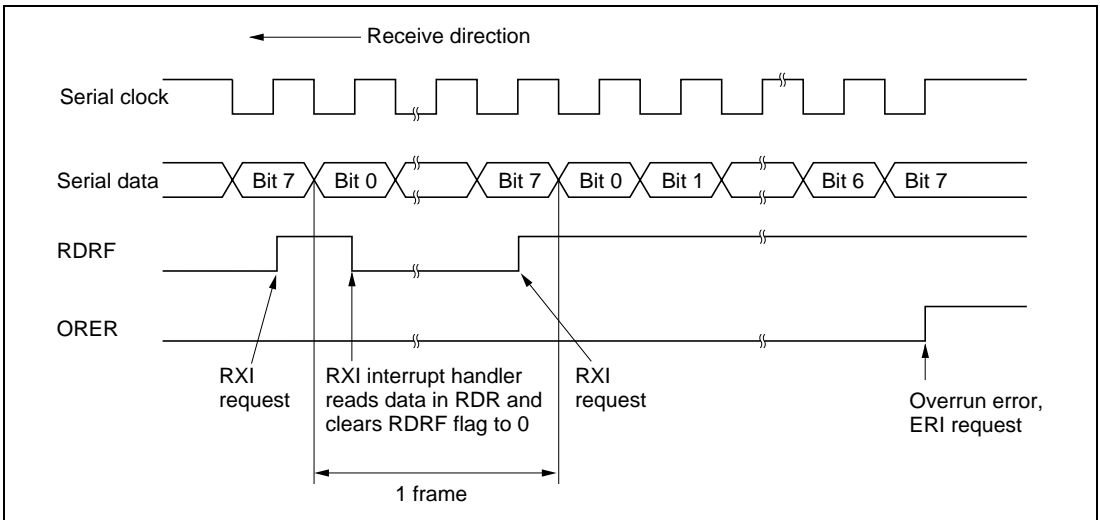
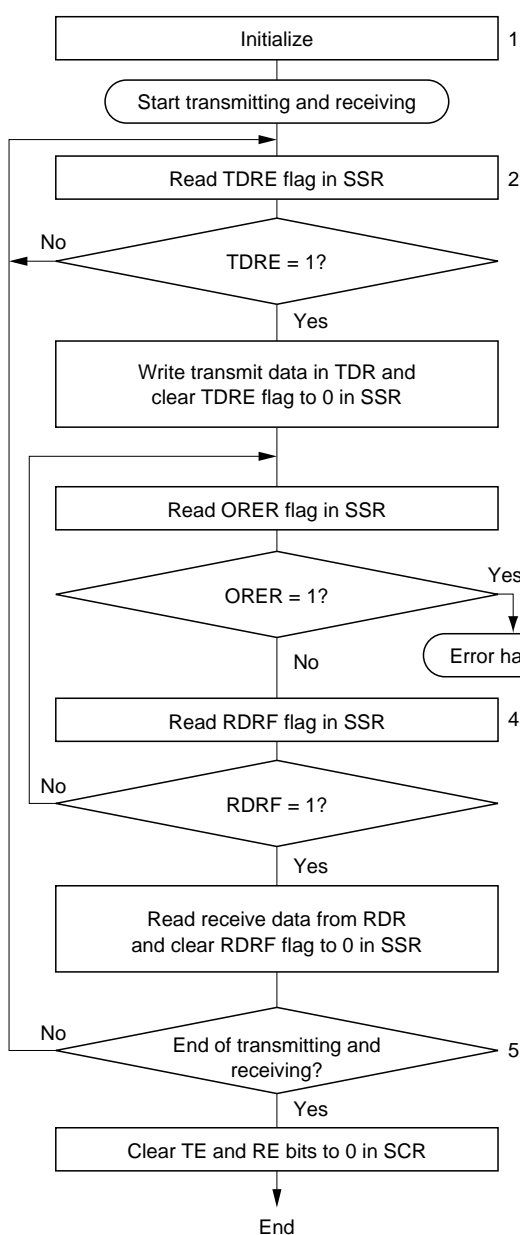


Figure 11.19 Example of SCI Receive Operation

Transmitting and Receiving Serial Data Simultaneously (Synchronous Mode): Figure 11.20 shows a sample flowchart for transmitting and receiving serial data simultaneously and indicates the procedure to follow.



1. SCI initialization: the transmit data output function of the TxD pin and receive data input function of the RxD pin are selected, enabling simultaneous transmitting and receiving.
2. SCI status check and transmit data write: read SSR, check that the TDRE flag is 1, then write transmit data in TDR and clear the TDRE flag to 0. Notification that the TDRE flag has changed from 0 to 1 can also be given by the TXI interrupt.
3. Receive error handling: if a receive error occurs, read the ORER flag in SSR, then after executing the necessary error handling, clear the ORER flag to 0. Neither transmitting nor receiving can resume while the ORER flag remains set to 1.
4. SCI status check and receive data read: read SSR, check that the RDRF flag is 1, then read receive data from RDR and clear the RDRF flag to 0. Notification that the RDRF flag has changed from 0 to 1 can also be given by the RXI interrupt.
5. To continue transmitting and receiving serial data: check the RDRF flag, read RDR, and clear the RDRF flag to 0 before the MSB (bit 7) of the current frame is received. Also check that the TDRE flag is set to 1, indicating that data can be written, write data in TDR, then clear the TDRE flag to 0 before the MSB (bit 7) of the current frame is transmitted.

Note: When switching from transmitting or receiving to simultaneous transmitting and receiving, clear the TE and RE bits both to 0, then set the TE and RE bits both to 1.

Figure 11.20 Sample Flowchart for Serial Transmitting

11.4 SCI Interrupts

The SCI has four interrupt request sources: TEI (transmit-end interrupt), ERI (receive-error interrupt), RXI (receive-data-full interrupt), and TXI (transmit-data-empty interrupt). Table 11.12 lists the interrupt sources and indicates their priority. These interrupts can be enabled and disabled by the TIE, RIE, and TEIE bits in SCR. Each interrupt request is sent separately to the interrupt controller.

The TXI interrupt is requested when the TDRE flag is set to 1 in SSR. The TEI interrupt is requested when the TEND flag is set to 1 in SSR.

The RXI interrupt is requested when the RDRF flag is set to 1 in SSR. The ERI interrupt is requested when the ORER, PER, or FER flag is set to 1 in SSR.

Table 11.12 SCI Interrupt Sources

| Interrupt | Description | Priority |
|-----------|-------------------------------------|----------|
| ERI | Receive error (ORER, FER, or PER) | High |
| RXI | Receive data register full (RDRF) | ↑ |
| TXI | Transmit data register empty (TDRE) | |
| TEI | Transmit end (TEND) | |

11.5 Usage Notes

Note the following points when using the SCI.

TDR Write and TDRE Flag

The TDRE flag in SSR is a status flag indicating the loading of transmit data from TDR into TSR. The SCI sets the TDRE flag to 1 when it transfers data from TDR to TSR.

Data can be written into TDR regardless of the state of the TDRE flag. If new data is written in TDR when the TDRE flag is 0, the old data stored in TDR will be lost because this data has not yet been transferred to TSR. Before writing transmit data in TDR, be sure to check that the TDRE flag is set to 1.

Simultaneous Multiple Receive Errors

Table 11.13 indicates the state of SSR status flags when multiple receive errors occur simultaneously. When an overrun error occurs the RSR contents are not transferred to RDR, so receive data is lost.

Table 11.13 SSR Status Flags and Transfer of Receive Data

| SSR Status Flags | | | | Receive Data Transfer | Receive Errors |
|------------------|------|-----|-----|-----------------------|--|
| RDRF | ORER | FER | PER | RSR → RDR | |
| 1 | 1 | 0 | 0 | × | Overrun error |
| 0 | 0 | 1 | 0 | ○ | Framing error |
| 0 | 0 | 0 | 1 | ○ | Parity error |
| 1 | 1 | 1 | 0 | × | Overrun error + framing error |
| 1 | 1 | 0 | 1 | × | Overrun error + parity error |
| 0 | 0 | 1 | 1 | ○ | Framing error + parity error |
| 1 | 1 | 1 | 1 | × | Overrun error + framing error + parity error |

Notes: ○: Receive data is transferred from RSR to RDR.

×: Receive data is not transferred from RSR to RDR.

Break Detection and Processing

Break signals can be detected by reading the RxD pin directly when a framing error (FER) is detected. In the break state the input from the RxD pin consists of all 0s, so the FER flag is set and the parity error flag (PER) may also be set. In the break state the SCI receiver continues to operate, so if the FER flag is cleared to 0 it will be set to 1 again.

Sending a Break Signal

When the TE bit is cleared to 0 the TxD pin becomes an I/O port, the level and direction (input or output) of which are determined by DR and DDR bits. This feature can be used to send a break signal.

After the serial transmitter is initialized, the DR value substitutes for the mark state until the TE bit is set to 1 (the TxD pin function is not selected until the TE bit is set to 1). The DDR and DR bits should therefore both be set to 1 beforehand.

To send a break signal during serial transmission, clear the DR bit to 0, then clear the TE bit to 0. When the TE bit is cleared to 0 the transmitter is initialized, regardless of its current state, so the TxD pin becomes an input/output port outputting the value 0.

Receive Error Flags and Transmitter Operation (Synchronous Mode Only)

When a receive error flag (ORER, PER, or FER) is set to 1 the SCI will not start transmitting, even if the TDRE flag is cleared to 0. Be sure to clear the receive error flags to 0 when starting to transmit. Note that clearing the RE bit to 0 does not clear the receive error flags to 0.

Receive Data Sampling Timing in Asynchronous Mode and Receive Margin

In asynchronous mode the SCI operates on a base clock with 16 times the bit rate frequency. In receiving, the SCI synchronizes internally with the fall of the start bit, which it samples on the base clock. Receive data is latched at the rising edge of the eighth base clock pulse. See figure 11.21.

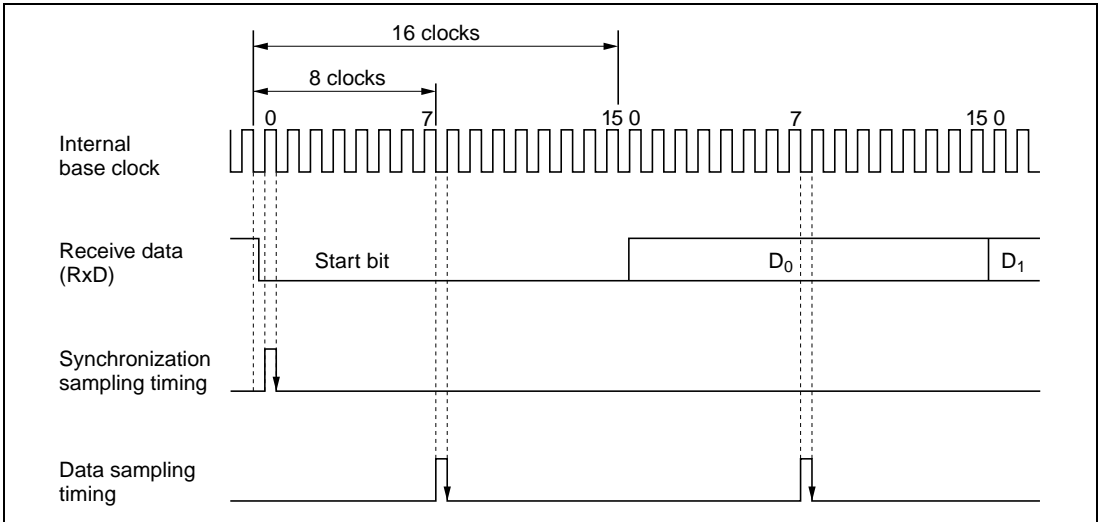


Figure 11.21 Receive Data Sampling Timing in Asynchronous Mode

The receive margin in asynchronous mode can therefore be expressed as shown in equation (1).

$$M = \left| \left(0.5 - \frac{1}{2N} \right) - (L - 0.5) F \frac{|D - 0.5|}{N} (1 + F) \right| \times 100\% \quad \text{.....(1)}$$

M: Receive margin (%)

N: Ratio of clock frequency to bit rate (N = 16)

D: Clock duty cycle (D = 0 to 1.0)

L: Frame length (L = 9 to 12)

F: Absolute deviation of clock frequency

From equation (1), if F = 0 and D = 0.5 the receive margin is 46.875%, as given by equation (2).

When D = 0.5, F = 0:

$$\begin{aligned} M &= [0.5 - 1/(2 \times 16)] \times 100\% \\ &= 46.875\% \text{.....(2)} \end{aligned}$$

This is a theoretical value. A reasonable margin to allow in system design is 20% to 30%.

Restrictions in Synchronous Mode

When data transmission is performed using an external clock source as the serial clock, an interval of at least 5 states is necessary between clearing the TDRE flag in SSR and the start (falling edge) of the first transmit clock pulse corresponding to each frame (figure 11.22). This interval is also necessary when performing continuous transmission. If this condition is not satisfied, an operation error may occur.

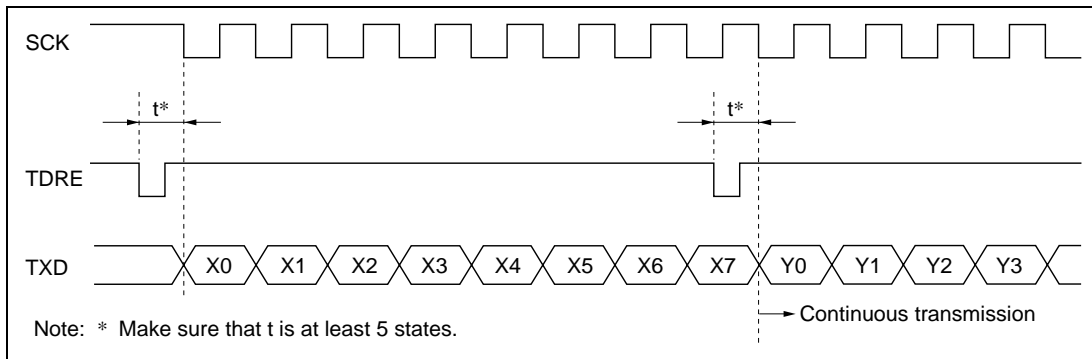


Figure 11.22 Transmission in Synchronous Mode (Example)

Restrictions when Switching from SCK Pin to Port Function in Synchronous SCI

1. Problem in Operation

After setting DDR and DR to 1 and using synchronous SCI clock output, when the SCK pin is switched to the port function at the end of transmission, a low-level signal is output for one half-cycle before the port output state is established.

When switching to the port function by making the following settings while $DDR = 1$, $DR = 1$, $C/\bar{A} = 1$, $CKE1 = 0$, $CKE0 = 0$, and $TE = 1$, low-level output occurs for one half-cycle.

- (1) End of serial data transmission
- (2) TE bit = 0
- (3) C/\bar{A} bit = 0 ... switchover to port output
- (4) Occurrence of low-level output (see figure 11.23)

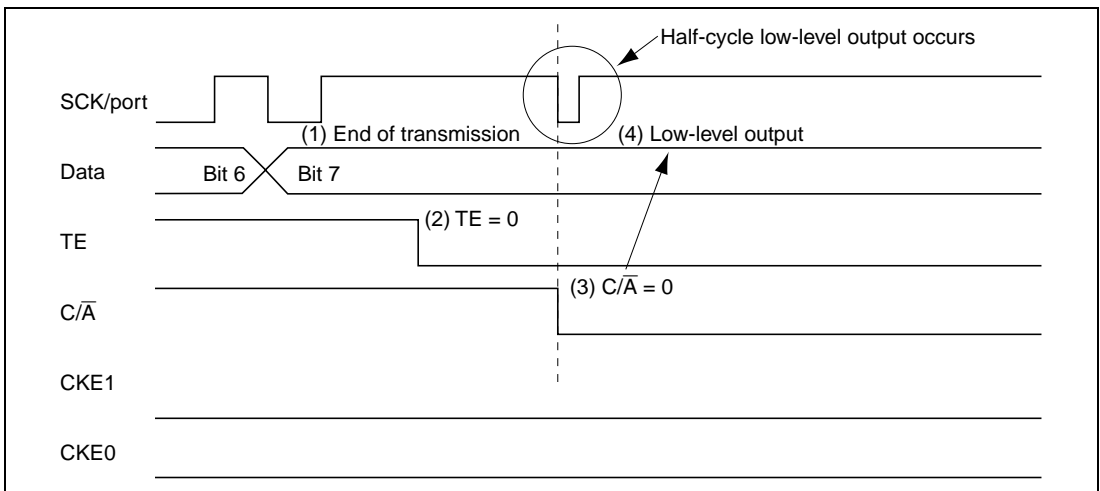


Figure 11.23 Operation when Switching from SCK Pin Function to Port Pin Function

2. Usage Note

The procedure shown below should be used to prevent low-level output when switching from the SCK pin function to the port function.

As this procedure temporarily places the SCK pin in the input state, the SCK/port pin should be pulled up beforehand with an external circuit. With $DDR = 1$, $DR = 1$, $C/\bar{A} = 1$, $CKE1 = 0$, $CKE0 = 0$, and $TE = 1$, make the following settings in the order shown.

- (1) End of serial data transmission
- (2) TE bit = 0
- (3) CKE1 bit = 1
- (4) C/\bar{A} bit = 0 ... switchover to port output
- (5) CKE1 bit = 0

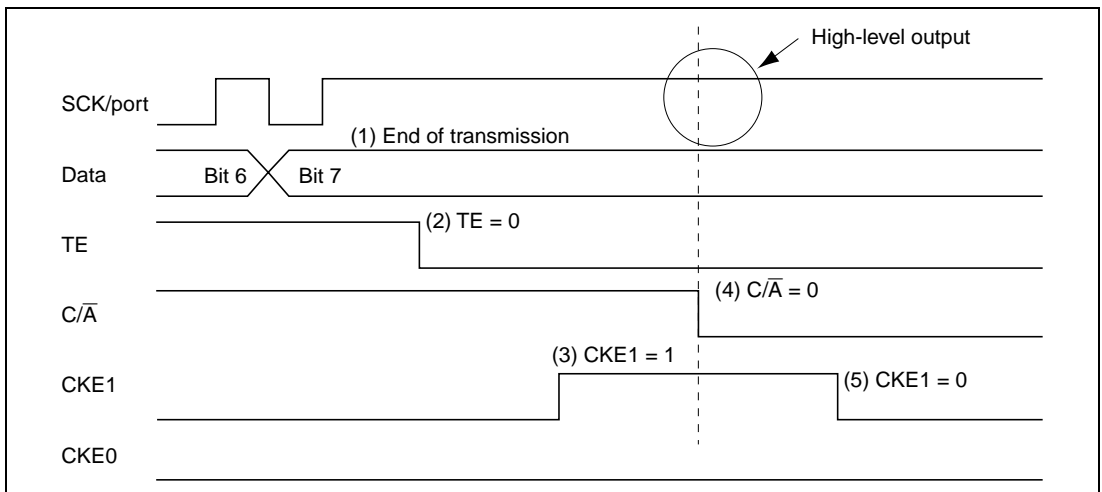


Figure 11.24 Operation when Switching from SCK Pin Function to Port Pin Function (Preventing Low-Level Output)

Section 12 Smart Card Interface

12.1 Overview

SCI0 supports an IC card (Smart Card) interface conforming to ISO/IEC 7816-3 (Identification Card) as a serial communication interface extension function.

Switching between the normal serial communication interface and the Smart Card interface is carried out by means of a register setting.

12.1.1 Features

Features of the Smart Card interface supported by the H8/3039 Group are as follows.

- Asynchronous mode
 - Data length: 8 bits
 - Parity bit generation and checking
 - Transmission of error signal (parity error) in receive mode
 - Error signal detection and automatic data retransmission in transmit mode
 - Direct convention and inverse convention both supported
- On-chip baud rate generator allows any bit rate to be selected
- Three interrupt sources
 - Three interrupt sources (transmit data empty, receive data full, and transmit/receive error) that can issue requests independently

12.1.2 Block Diagram

Figure 12.1 shows a block diagram of the Smart Card interface.

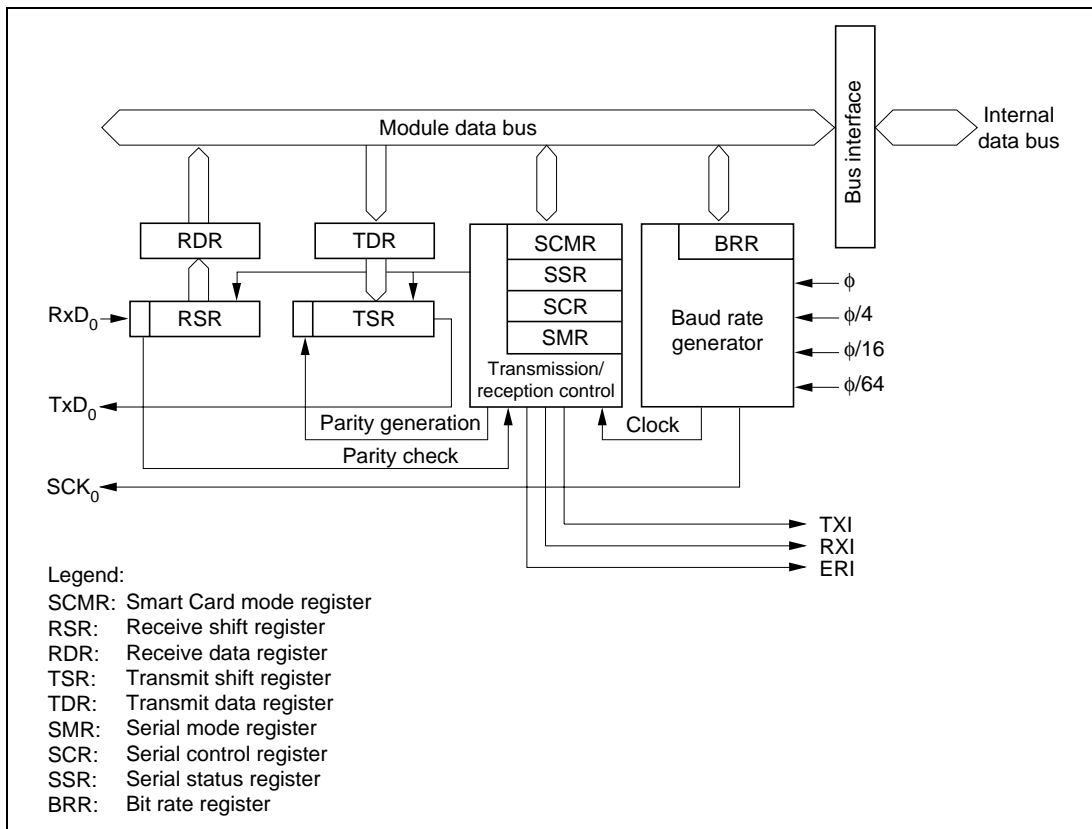


Figure 12.1 Block Diagram of Smart Card Interface

12.1.3 Pin Configuration

Table 12.1 shows the Smart Card interface pin configuration.

Table 12.1 Smart Card Interface Pins

| Pin Name | Abbreviation | I/O | Function |
|---------------------|------------------|--------|---------------------------------------|
| Serial clock pin 0 | SCK ₀ | Output | SCI ₀ clock output |
| Receive data pin 0 | RxD ₀ | Input | SCI ₀ receive data input |
| Transmit data pin 0 | TxD ₀ | Output | SCI ₀ transmit data output |

12.1.4 Register Configuration

Table 12.2 shows the registers used by the Smart Card interface. Details of SMR, BRR, SCR, TDR, and RDR are the same as for the normal SCI function: see the register descriptions in section 11, Serial Communication Interface.

Table 12.2 Smart Card Interface Registers

| Address* ¹ | Name | Abbreviation | R/W | Initial Value |
|-----------------------|--------------------------|--------------|---------------------|---------------|
| H'FFB0 | Serial mode register | SMR | R/W | H'00 |
| H'FFB1 | Bit rate register | BRR | R/W | H'FF |
| H'FFB2 | Serial control register | SCR | R/W | H'00 |
| H'FFB3 | Transmit data register | TDR | R/W | H'FF |
| H'FFB4 | Serial status register | SSR | R/(W)* ² | H'84 |
| H'FFB5 | Receive data register | RDR | R | H'00 |
| H'FFB6 | Smart card mode register | SCMR | R/W | H'F2 |

- Notes: 1. Lower 16 bits of the address.
2. Can only be written with 0 for flag clearing.

12.2 Register Descriptions

Registers added with the Smart Card interface and bits for which the function changes are described here.

12.2.1 Smart Card Mode Register (SCMR)

| Bit | 7 | 6 | 5 | 4 | 3 | 2 | 1 | 0 |
|---------------|---|---|---|---|------|------|---|------|
| | — | — | — | — | SDIR | SINV | — | SMIF |
| Initial value | 1 | 1 | 1 | 1 | 0 | 0 | 1 | 0 |
| Read/Write | — | — | — | — | R/W | R/W | — | R/W |

Reserved bits
Smart card interface mode select
 Enables or disables the smart card interface function
Smart card data invert
 Inverts data logic levels
Smart card data transfer direction
 Selects the serial/parallel conversion format

SCMR is an 8-bit readable/writable register that selects the Smart Card interface function.

SCMR is initialized to H'F2 by a reset, and in standby mode.

Bits 7 to 4—Reserved: These bits cannot be modified and are always read as 1.

Bit 3—Smart Card Data Transfer Direction (SDIR): Selects the serial/parallel conversion format.

| Bit 3 SDIR | Description |
|---------------|--|
| 0 | TDR contents are transmitted LSB-first Receive data is stored in RDR LSB-first (Initial value) |
| 1 | TDR contents are transmitted MSB-first Receive data is stored in RDR MSB-first |

Bit 2—Smart Card Data Invert (SINV): Specifies inversion of the data logic level. This function is used together with the SDIR bit for communication with an inverse convention card. The SINV bit does not affect the logic level of the parity bit. For parity-related setting procedures, see section 12.3.4, Register Settings.

| Bit 2 SINV | Description | |
|---------------|--|-----------------|
| 0 | TDR contents are transmitted as they are Receive data is stored as it is in RDR | (Initial value) |
| 1 | TDR contents are inverted before being transmitted Receive data is stored in inverted form in RDR | |

Bit 1—Reserved: This bit cannot be modified and is always read as 1.

Bit 0—Smart Card Interface Mode Select (SMIF): This bit enables or disables the Smart Card interface function.

| Bit 0 SMIF | Description | |
|---------------|---|-----------------|
| 0 | Smart Card interface function is disabled | (Initial value) |
| 1 | Smart Card interface function is enabled | |

12.2.2 Serial Status Register (SSR)

| Bit | 7 | 6 | 5 | 4 | 3 | 2 | 1 | 0 |
|---------------|--------|--------|--------|--------|--------|------|-----|------|
| | TDRE | RDRF | ORER | ERS | PER | TEND | MPB | MPBT |
| Initial value | 1 | 0 | 0 | 0 | 0 | 1 | 0 | 0 |
| R/W | R/(W)* | R/(W)* | R/(W)* | R/(W)* | R/(W)* | R | R | R/W |

Transmit end
Status flag indicating
end of transmission

Error signal status
Status flag indicating that an
error signal has been received

Note: * Only 0 can be written to bits 7 to 3, to clear these flags.

Bit 4 of SSR has a different function in Smart Card interface mode. Coupled with this, the setting conditions for bit 2, TEND, are also different.

Bits 7 to 5—Operate in the same way as for the normal SCI. For details, see section 11.2.7, Serial Status Register (SSR).

Bit 4—Error Signal Status (ERS): In Smart Card interface mode, bit 4 indicates the status of the error signal sent back from the receiving end in transmission. Framing errors are not detected in Smart Card interface mode.

Bit 4

| ERS | Description |
|-----|--|
| 0 | Indicates normal data transmission, with no error signal returned [Clearing conditions] (Initial value) <ul style="list-style-type: none"> • Upon reset, in standby mode, or in module stop mode • When 0 is written to ERS after reading ERS = 1 |
| 1 | Indicates that the receiving device sent an error signal reporting a parity error [Setting condition] When the low level of the error signal is sampled |

Note: Clearing the TE bit in SCR to 0 does not affect the ERS flag, which retains its previous state.

Bits 3 to 0—Operate in the same way as for the normal SCI. For details, see section 11.2.7, Serial Status Register (SSR).

However, the setting conditions for the TEND bit are as shown below.

Bit 2

| TEND | Description |
|------|--|
| 0 | Transmission is in progress [Clearing condition] (Initial value) When 0 is written to TDRE after reading TDRE = 1 |
| 1 | End of transmission [Setting conditions] <ul style="list-style-type: none"> • Upon reset and in standby mode • When the TE bit in SCR is 0 and the ERS bit is also 0 • When TDRE = 1 and ERS = 0 (normal transmission) 2.5 etu after transmission of a 1-byte serial character |

Note: etu: Elementary Time Unit (time for transfer of 1 bit)

12.3 Operation

12.3.1 Overview

The main functions of the Smart Card interface are as follows.

- One frame consists of 8-bit and plus a parity bit.
- In transmission, a guard time of at least 2 etu (Elementary Time Unit: the time for transfer of one bit) is left between the end of the parity bit and the start of the next frame.
- If a parity error is detected during reception, a low error signal level is output for one etu period, 10.5 etu after the start bit.
- If the error signal is sampled during transmission, the same data is transmitted automatically after the elapse of 2 etu or longer.
- Only asynchronous communication is supported; there is no clocked synchronous communication function.

12.3.2 Pin Connections

Figure 12.2 shows a schematic diagram of Smart Card interface related pin connections.

In communication with an IC card, since both transmission and reception are carried out on a single data transmission line, the TxD_0 pin and RxD_0 pin should be connected with the LSI pin. The data transmission line should be pulled up to the V_{CC} power supply with a resistor.

When the clock generated on the Smart Card interface is used by an IC card, the SCK_0 pin output is input to the CLK pin of the IC card. No connection is needed if the IC card uses an internal clock.

LSI port output is used as the reset signal.

Other pins must normally be connected to the power supply or ground.

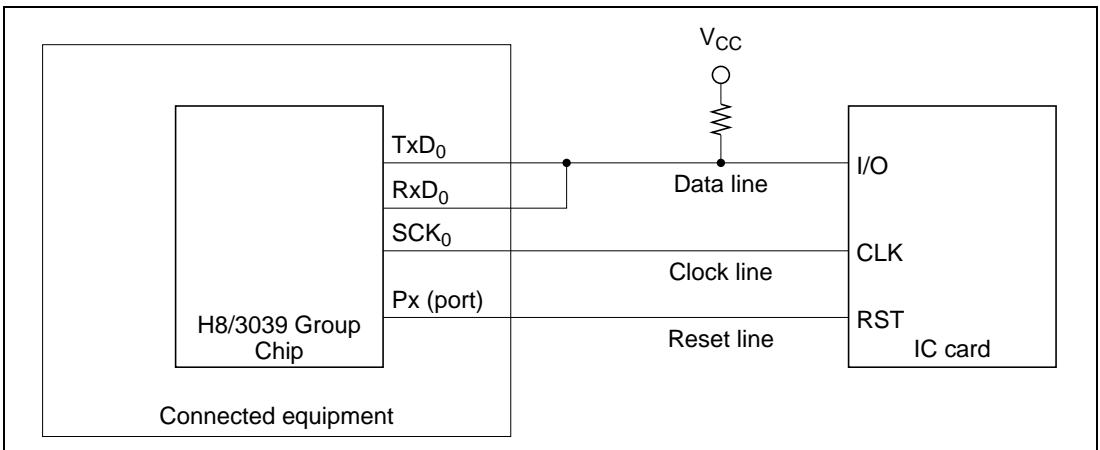


Figure 12.2 Schematic Diagram of Smart Card Interface Pin Connections

Note: If an IC card is not connected, and the TE and RE bits are both set to 1, closed transmission/reception is possible, enabling self-diagnosis to be carried out.

12.3.3 Data Format

Figure 12.3 shows the Smart Card interface data format. In reception in this mode, a parity check is carried out on each frame, and if an error is detected an error signal is sent back to the transmitting end, and retransmission of the data is requested. If an error signal is sampled during transmission, the same data is retransmitted.

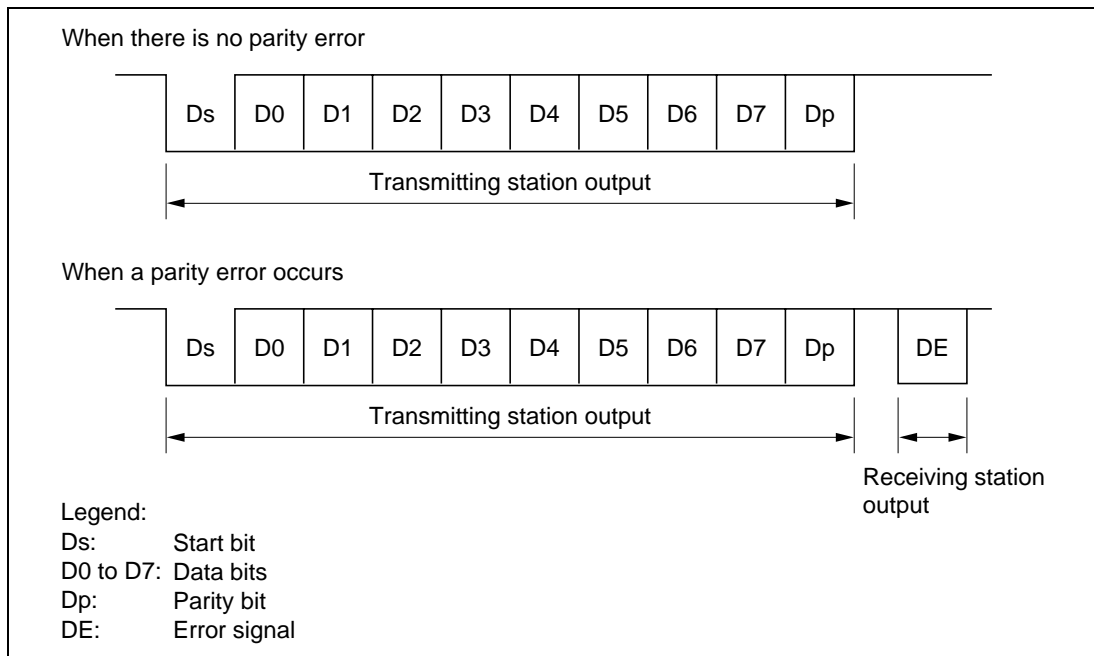


Figure 12.3 Smart Card Interface Data Format

The operation sequence is as follows.

- [1] When the data line is not in use it is in the high-impedance state, and is fixed high with a pull-up resistor.
- [2] The transmitting station starts a data transfer of one frame. The data frame starts with a start bit (Ds, low-level). Then 8 data bits (D0 to D7) and a parity bit (Dp) follows.
- [3] With the Smart Card interface, the data line then returns to the high-impedance state. The data line is pulled high with a pull-up resistor.
- [4] The receiving station carries out a parity check.
 - If there is no parity error and the data is received normally, the receiving station waits for reception of the next data.
 - If a parity error occurs, however, the receiving station outputs an error signal (DE, low-level) to request retransmission of the data. After outputting the error signal for the prescribed length of time, the receiving station places the signal line in the high-impedance state again. The signal line is pulled high again by a pull-up resistor.
- [5] If the transmitting station does not receive an error signal, it proceeds to transmit the next data frame.
 - If it does receive an error signal, however, it returns to step [2] and retransmits the erroneous data.

12.3.4 Register Settings

Table 12.3 shows a bit map of the registers used by the smart card interface.

Bits indicated as 0 or 1 must be set to the value shown. The setting of other bits is described below.

Table 12.3 Smart Card Interface Register Settings

| Register | Bit | | | | | | | |
|----------|-------|-------|-------|-------------|-------|-------|-------|-------|
| | Bit 7 | Bit 6 | Bit 5 | Bit 4 | Bit 3 | Bit 2 | Bit 1 | Bit 0 |
| SMR | 0 | 0 | 1 | O/\bar{E} | 1 | 0 | CKS1 | CKS0 |
| BRR | BRR7 | BRR6 | BRR5 | BRR4 | BRR3 | BRR2 | BRR1 | BRR0 |
| SCR | TIE | RIE | TE | RE | 0 | 0 | 0 | CKE0 |
| TDR | TDR7 | TDR6 | TDR5 | TDR4 | TDR3 | TDR2 | TDR1 | TDR0 |
| SSR | TDRE | RDRF | ORER | ERS | PER | TEND | 0 | 0 |
| RDR | RDR7 | RDR6 | RDR5 | RDR4 | RDR3 | RDR2 | RDR1 | RDR0 |
| SCMR | — | — | — | — | SDIR | SINV | — | SMIF |

Note: —: Unused bit.

SMR Setting: The O/\bar{E} bit is cleared to 0 if the IC card is of the direct convention type, and set to 1 if of the inverse convention type.

Bits CKS1 and CKS0 select the clock source of the on-chip baud rate generator. See section 12.3.5, Clock.

BRR Setting: BRR is used to set the bit rate. See section 12.3.5, Clock, for the method of calculating the value to be set.

SCR Setting: The function of the TIE, RIE, TE, and RE bits is the same as for the normal SCI. For details, see section 11, Serial Communication Interface.

Bit CKE0 specifies the clock output. Set these bits to 0 if a clock is not to be output, or to 1 if a clock is to be output.

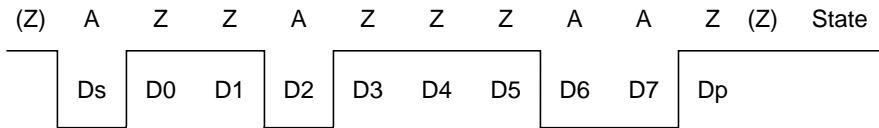
SCMR Setting: The SDIR bit is cleared to 0 if the IC card is of the direct convention type, and set to 1 if of the inverse convention type.

The SINV bit is cleared to 0 if the IC card is of the direct convention type, and set to 1 if of the inverse convention type.

The SMIF bit is set to 1 in the case of the Smart Card interface.

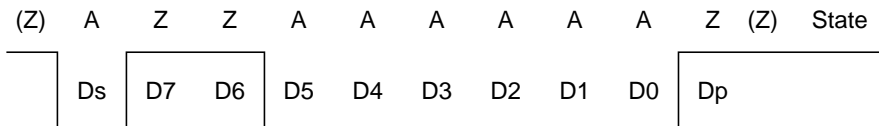
Examples of register settings and the waveform of the start character are shown below for the two types of IC card (direct convention and inverse convention).

- Direct convention ($SDIR = SINV = O/\bar{E} = 0$)



With the direct convention type, the logic 1 level corresponds to state Z and the logic 0 level to state A, and transfer is performed in LSB-first order. The start character data above is H'3B. The parity bit is 1 since even parity is stipulated for the Smart Card.

- Inverse convention ($SDIR = SINV = O/\bar{E} = 1$)



With the inverse convention type, the logic 1 level corresponds to state A and the logic 0 level to state Z, and transfer is performed in MSB-first order. The start character data above is H'3F. The parity bit is 0, corresponding to state Z, since even parity is stipulated for the Smart Card. With the H8/3039 Group, inversion specified by the SINV bit applies only to the data bits, D7 to D0. For parity bit inversion, the O/\bar{E} bit in SMR is set to odd parity mode (the same applies to both transmission and reception).

12.3.5 Clock

Only an internal clock generated by the on-chip baud rate generator can be used as the transmit/receive clock for the smart card interface. The bit rate is set with BRR and the CKS1 and CKS0 bits in SMR. The formula for calculating the bit rate is as shown below. Table 12.5 shows some sample bit rates.

If clock output is selected by setting CKE0 to 1, a clock with a frequency of 372 times the bit rate is output from the SCK₀ pin.

$$B = \frac{\phi}{1488 \times 2^{2n-1} \times (N + 1)} \times 10^6$$

Where: N = Value set in BRR (0 ≤ N ≤ 255)

B = Bit rate (bit/s)

φ = Operating frequency* (MHz)

n = See table 12.4

Table 12.4 Correspondence between n and CKS1, CKS0

| n | CKS1 | CKS0 |
|---|------|------|
| 0 | 0 | 0 |
| 1 | | 1 |
| 2 | 1 | 0 |
| 3 | | 1 |

Note: * If the gear function is used to divide the system clock frequency, use the divided frequency to calculate the bit rate. The equation above applies directly to 1/1 frequency division.

Table 12.5 Examples of Bit Rate B (bit/s) for Various BRR Settings (When n = 0)

| N | φ (MHz) | | | | | | |
|---|---------|---------|---------|---------|---------|---------|---------|
| | 7.1424 | 10.00 | 10.7136 | 13.00 | 14.2848 | 16.00 | 18.00 |
| 0 | 9600.0 | 13440.9 | 14400.0 | 17473.1 | 19200.0 | 21505.4 | 24193.5 |
| 1 | 4800.0 | 6720.4 | 7200.0 | 8736.6 | 9600.0 | 10752.7 | 12096.8 |
| 2 | 3200.0 | 4480.3 | 4800.0 | 5824.4 | 6400.0 | 7168.5 | 8064.5 |

Note: Bit rates are rounded off to one decimal place.

The method of calculating the value from the operating frequency and bit rate, on the other hand, is shown below. N is an integer, $0 \leq N \leq 255$, and the smaller error is specified.

$$N = \frac{\phi}{1488 \times 2^{2n-1} \times B} \times 10^6 - 1$$

Table 12.6 Examples of BRR Settings for Bit Rate B (bit/s) (When n = 0)

| bit/s | ϕ (MHz) | | | | | | | | | | | | | |
|-------|--------------|-------|-------|-------|---------|-------|-------|-------|---------|-------|-------|-------|-------|-------|
| | 7.1424 | | 10.00 | | 10.7136 | | 13.00 | | 14.2848 | | 16.00 | | 18.00 | |
| | N | Error | N | Error | N | Error | N | Error | N | Error | N | Error | N | Error |
| 9600 | 0 | 0.00 | 1 | 30 | 1 | 25 | 1 | 8.99 | 1 | 0.00 | 1 | 12.01 | 2 | 15.99 |

Table 12.7 Maximum Bit Rate at Various Frequencies (Smart Card Interface Mode)

| ϕ (MHz) | Maximum Bit Rate (bit/s) | N | n |
|--------------|--------------------------|---|---|
| 7.1424 | 9600 | 0 | 0 |
| 10.00 | 13441 | 0 | 0 |
| 10.7136 | 14400 | 0 | 0 |
| 13.00 | 17473 | 0 | 0 |
| 14.2848 | 19200 | 0 | 0 |
| 16.00 | 21505 | 0 | 0 |
| 18.00 | 24194 | 0 | 0 |

The bit rate error is given by the following formula:

$$\text{Error (\%)} = \left(\frac{\phi}{1488 \times 2^{2n-1} \times B \times (N + 1)} \times 10^6 - 1 \right) \times 100$$

12.3.6 Data Transfer Operations

Initialization

Before transmitting and receiving data, initialize the SCI as described below. Initialization is also necessary when switching from transmit mode to receive mode, or vice versa.

- [1] Clear the TE and RE bits in SCR to 0.
- [2] Clear the error flags ERS, PER, and ORER in SSR to 0.
- [3] Set the $\overline{O/E}$ bit and CKS1 and CKS0 bits in SMR. Clear the $\overline{C/A}$, CHR, and MP bits to 0, and set the STOP and PE bits to 1.
- [4] Set the SMIF, SDIR, and SINV bits in SCMR.
When the SMIF bit is set to 1, the TxD₀ and RxD₀ pins are both switched from ports to SCI pins, and are placed in the high-impedance state.
- [5] Set the value corresponding to the bit rate in BRR.
- [6] Set the CKE0 bit in SCR. Clear the TIE, RIE, TE, RE, MPIE, TEIE and CKE1 bits to 0.
If the CKE0 bit is set to 1, the clock is output from the SCK₀ pin.
- [7] Wait at least one bit interval, then set the TIE, RIE, TE, and RE bits in SCR. Do not set the TE bit and RE bit at the same time, except for self-diagnosis.

Serial Data Transmission

As data transmission in smart card mode involves error signal sampling and retransmission processing, the processing procedure is different from that for the normal SCI. Figure 12.4 shows an example of the transmission processing flow, and figure 12.5 shows the relation between a transmit operation and the internal registers.

- [1] Perform Smart Card interface mode initialization as described above in Initialization.
- [2] Check that the ERS error flag in SSR is cleared to 0.
- [3] Repeat steps [2] and [3] until it can be confirmed that the TEND flag in SSR is set to 1.
- [4] Write the transmit data to TDR, clear the TDRE flag to 0, and perform the transmit operation.
The TEND flag is cleared to 0.
- [5] When transmitting data continuously, go back to step [2].
- [6] To end transmission, clear the TE bit to 0.

With the above processing, interrupt servicing is possible.

If transmission ends and the TEND flag is set to 1 while the TIE bit is set to 1 and interrupt requests are enabled, a transmit data empty interrupt (TXI) request will be generated. If an error occurs in transmission and the ERS flag is set to 1 while the RIE bit is set to 1 and interrupt requests are enabled, a transfer error interrupt (ERI) request will be generated.

For details, see the following Interrupt Operations.

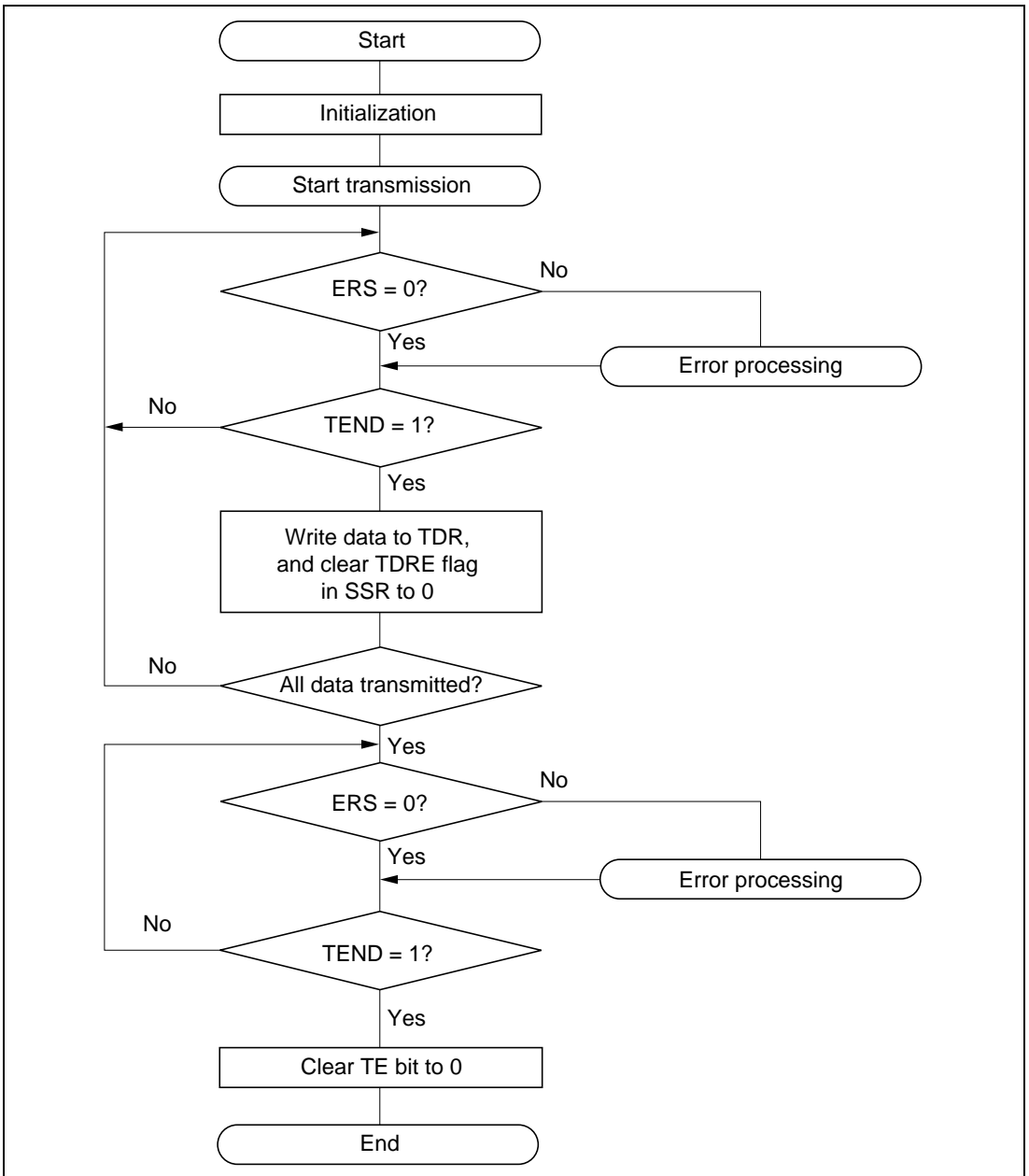


Figure 12.4 Example of Transmission Processing Flow

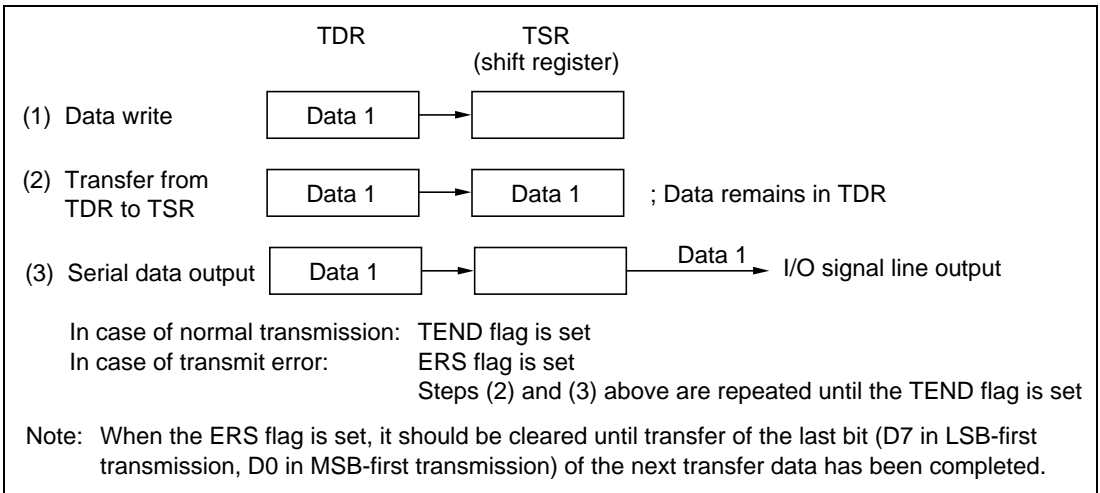


Figure 12.5 Relation Between Transmit Operation and Internal Registers

Serial Data Reception

Data reception in Smart Card mode uses the same processing procedure as for the normal SCI. Figure 12.6 shows an example of the transmission processing flow.

- [1] Perform Smart Card interface mode initialization as described above in Initialization.
- [2] Check that the ORER flag and PER flag in SSR are cleared to 0. If either flag is set, perform the appropriate receive error processing, then clear both the ORER and the PER flag to 0.
- [3] Repeat steps [2] and [3] until it can be confirmed that the RDRF flag is set to 1.
- [4] Read the receive data from RDR.
- [5] When receiving data continuously, clear the RDRF flag to 0 and go back to step [2].
- [6] To end reception, clear the RE bit to 0.

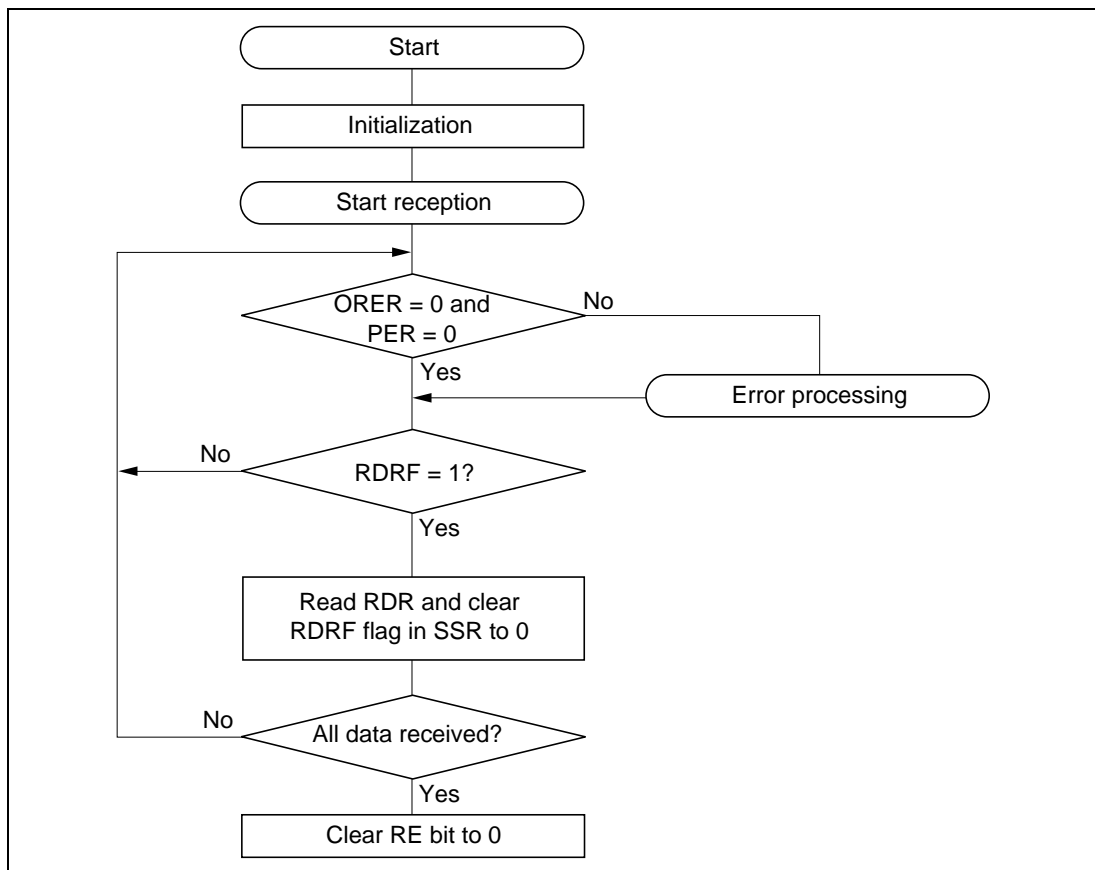


Figure 12.6 Example of Reception Processing Flow

With the above processing, interrupt servicing is possible.

If reception ends and the RDRF flag is set to 1 while the RIE bit is set to 1 and interrupt requests are enabled, a receive data full interrupt (RXI) request will be generated. If an error occurs in reception and either the ORER flag or the PER flag is set to 1, a transfer error interrupt (ERI) request will be generated.

For details, see Interrupt Operation below.

If a parity error occurs during reception and the PER is set to 1, the received data is still transferred to RDR, and therefore this data can be read.

Mode Switching Operation

When switching from receive mode to transmit mode, first confirm that the receive operation has been completed, then start from initialization, clearing RE bit to 0 and setting TE bit to 1. The RDRF flag or the PER and ORER flags can be used to check that the receive operation has been completed.

When switching from transmit mode to receive mode, first confirm that the transmit operation has been completed, then start from initialization, clearing TE bit to 0 and setting RE bit to 1. The TEND flag can be used to check that the transmit operation has been completed.

Interrupt Operation

There are three interrupt sources in smart card interface mode: transmit data empty interrupt (TXI) requests, transfer error interrupt (ERI) requests, and receive data full interrupt (RXI) requests. The transmit end interrupt (TEI) request is not used in this mode.

When the TEND flag in SSR is set to 1, a TXI interrupt request is generated.

When the RDRF flag in SSR is set to 1, an RXI interrupt request is generated.

When any of flags ORER, PER, and ERS in SSR is set to 1, an ERI interrupt request is generated. The relationship between the operating states and interrupt sources is shown in table 12.8.

Table 12.8 Smart Card Mode Operating States and Interrupt Sources

| Operating State | | Flag | Mask Bit | Interrupt Source |
|-----------------|------------------|-----------|----------|------------------|
| Transmit Mode | Normal operation | TEND | TIE | TXI |
| | Error | ERS | RIE | ERI |
| Receive Mode | Normal operation | RDRF | RIE | RXI |
| | Error | PER, ORER | RIE | ERI |

12.4 Usage Note

The following points should be noted when using the SCI as a smart card interface.

Receive Data Sampling Timing and Reception Margin in Smart Card Interface Mode

In smart card interface mode, the SCI operates on a basic clock with a frequency of 372 times the transfer rate.

In reception, the SCI samples the falling edge of the start bit using the basic clock, and performs internal synchronization. Receive data is latched internally at the rising edge of the 186th pulse of the basic clock. This is illustrated in figure 12.7.

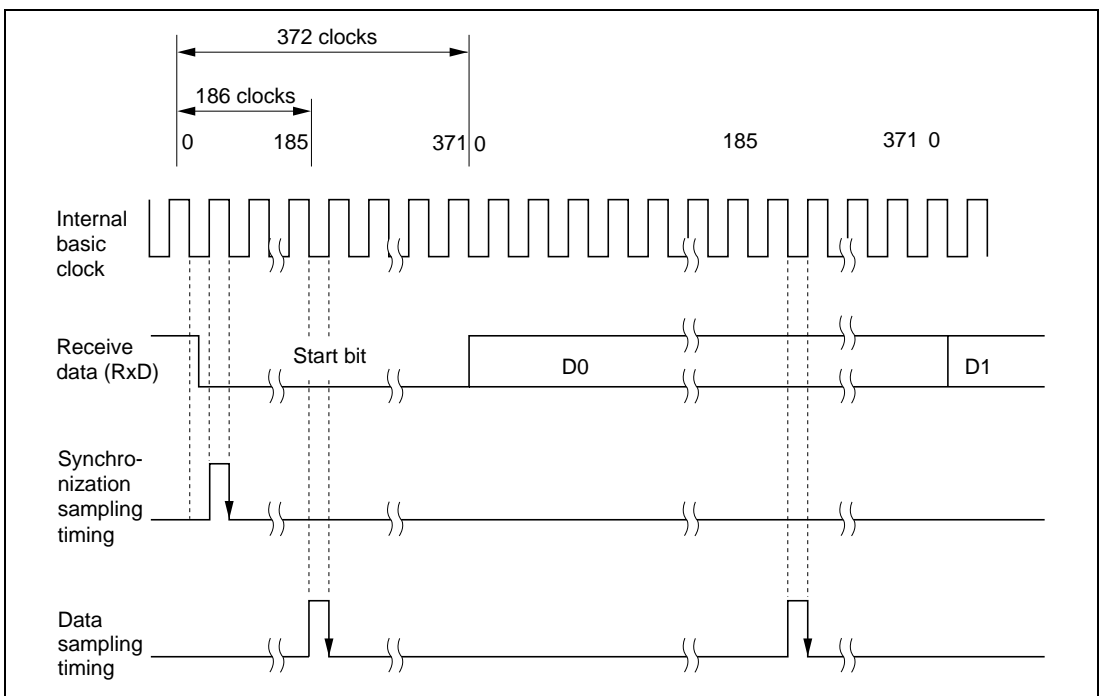


Figure 12.7 Receive Data Sampling Timing in Smart Card Mode

Thus the reception margin in smart card interface mode is given by the following formula.

$$M = \left| \left(0.5 - \frac{1}{2N} \right) - (L - 0.5) F - \frac{|D - 0.5|}{N} (1 + F) \right| \times 100\%$$

Where M: Reception margin (%)

N: Ratio of bit rate to clock (N = 372)

D: Clock duty (D = 0 to 1.0)

L: Frame length (L = 10)

F: Absolute value of clock frequency deviation

Assuming values of F = 0 and D = 0.5 in the above formula, the reception margin formula is as follows.

When D = 0.5 and F = 0,

$$\begin{aligned} M &= (0.5 - 1/2 \times 372) \times 100\% \\ &= 49.866\% \end{aligned}$$

Retransfer Operations

Retransfer operations are performed by the SCI in receive mode and transmit mode as described below.

- Retransfer operation when SCI is in receive mode

Figure 12.8 illustrates the retransfer operation when the SCI is in receive mode.

- [1] If an error is found when the received parity bit is checked, the PER bit in SSR is automatically set to 1. If the RIE bit in SCR is enabled at this time, an ERI interrupt request is generated. The PER bit in SSR should be kept cleared to 0 until the next parity bit is sampled.
- [2] The RDRF bit in SSR is not set for a frame in which an error has occurred.
- [3] If no error is found when the received parity bit is checked, the PER bit in SSR is not set to 1.
- [4] If no error is found when the received parity bit is checked, the receive operation is judged to have been completed normally, and the RDRF flag in SSR is automatically set to 1. If the RIE bit in SCR is enabled at this time, an RXI interrupt request is generated.
- [5] When a normal frame is received, the pin retains the high-impedance state at the timing for error signal transmission.

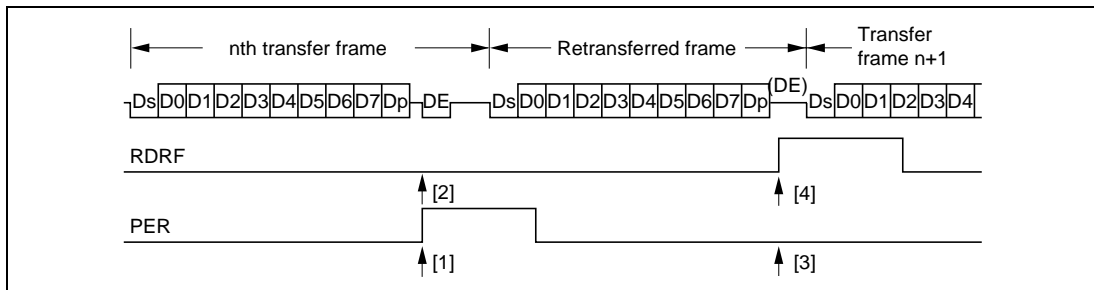


Figure 12.8 Retransfer Operation in SCI Receive Mode

- Retransfer operation when SCI is in transmit mode

Figure 12.9 illustrates the retransfer operation when the SCI is in transmit mode.

- [6] If an error signal is sent back from the receiving end after transmission of one frame is completed, the ERS bit in SSR is set to 1. If the RIE bit in SCR is enabled at this time, an ERI interrupt request is generated. The ERS bit in SSR should be kept cleared to 0 until the next parity bit is sampled.
- [7] The TEND bit in SSR is not set for a frame for which an error signal indicating an abnormality is received.
- [8] If an error signal is not sent back from the receiving end, the ERS bit in SSR is not set.
- [9] If an error signal is not sent back from the receiving end, transmission of one frame, including a retransfer, is judged to have been completed, and the TEND bit in SSR is set to 1. If the TIE bit in SCR is enabled at this time, a TXI interrupt request is generated.

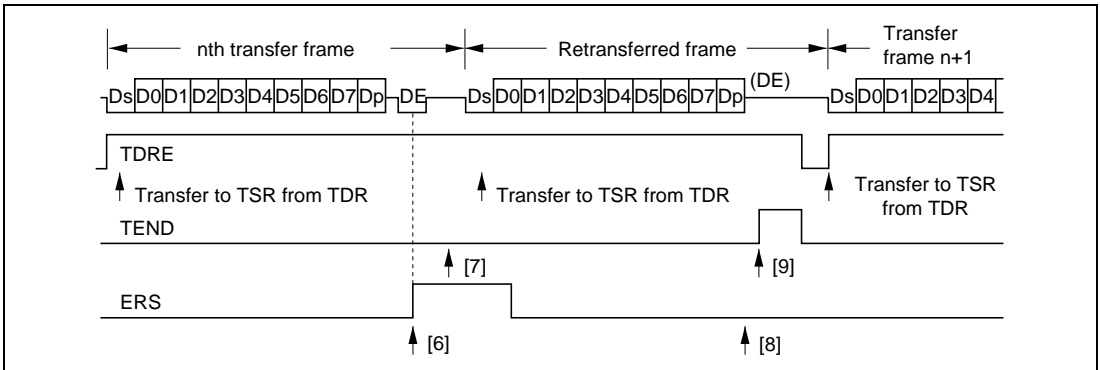


Figure 12.9 Retransfer Operation in SCI Transmit Mode

Section 13 A/D Converter

13.1 Overview

The H8/3039 Group includes a 10-bit successive-approximations A/D converter with a selection of up to eight analog input channels.

When the A/D converter is not used, it can be halted independently to conserve power. For details see section 17.6, Module Standby Function.

13.1.1 Features

A/D converter features are listed below.

- 10-bit resolution
- Eight input channels
- Selectable analog conversion voltage range
The analog voltage conversion range can be programmed by input of an analog reference voltage at the AV_{CC} pin.
- High-speed conversion
Conversion time: minimum 7.4 μ s per channel (with 18 MHz system clock)
- Two conversion modes
Single mode: A/D conversion of one channel
Scan mode: continuous conversion on one to four channels
- Four 16-bit data registers
A/D conversion results are transferred for storage into data registers corresponding to the channels.
- Sample-and-hold function
- A/D conversion can be externally triggered
- A/D interrupt requested at end of conversion
At the end of A/D conversion, an A/D end interrupt (ADI) can be requested.

13.1.2 Block Diagram

Figure 13.1 shows a block diagram of the A/D converter.

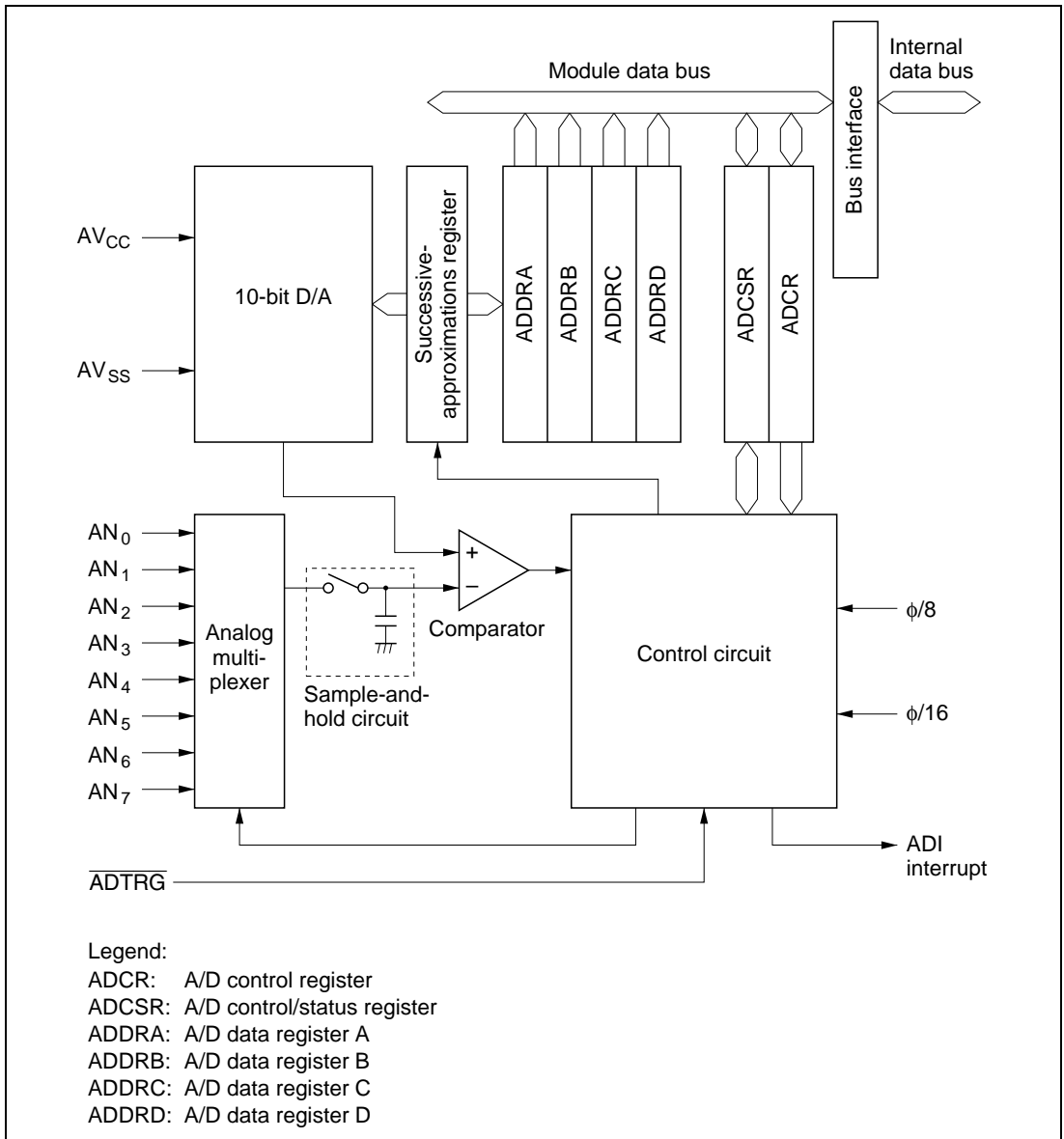


Figure 13.1 A/D Converter Block Diagram

13.1.3 Input Pins

Table 13.1 summarizes the A/D converter's input pins. The eight analog input pins are divided into two groups: group 0 (AN_0 to AN_3), and group 1 (AN_4 to AN_7). AV_{CC} and AV_{SS} are the power supply for the analog circuits in the A/D converter.

Table 13.1 A/D Converter Pins

| Pin Name | Abbreviation | I/O | Function |
|--------------------------------|--------------------|-------|--|
| Analog power supply pin | AV_{CC} | Input | Analog power supply and reference voltage |
| Analog ground pin | AV_{SS} | Input | Analog ground and reference voltage |
| Analog input pin 0 | AN_0 | Input | Group 0 analog inputs |
| Analog input pin 1 | AN_1 | Input | |
| Analog input pin 2 | AN_2 | Input | |
| Analog input pin 3 | AN_3 | Input | |
| Analog input pin 4 | AN_4 | Input | Group 1 analog inputs |
| Analog input pin 5 | AN_5 | Input | |
| Analog input pin 6 | AN_6 | Input | |
| Analog input pin 7 | AN_7 | Input | |
| A/D external trigger input pin | \overline{ADTRG} | Input | External trigger input for starting A/D conversion |

13.1.4 Register Configuration

Table 13.2 summarizes the A/D converter's registers.

Table 13.2 A/D Converter Registers

| Address* ¹ | Name | Abbreviation | R/W | Initial Value |
|-----------------------|-----------------------------|--------------|---------------------|---------------|
| H'FFE0 | A/D data register A (high) | ADDRAH | R | H'00 |
| H'FFE1 | A/D data register A (low) | ADDRAL | R | H'00 |
| H'FFE2 | A/D data register B (high) | ADDRBH | R | H'00 |
| H'FFE3 | A/D data register B (low) | ADDRBL | R | H'00 |
| H'FFE4 | A/D data register C (high) | ADDRCH | R | H'00 |
| H'FFE5 | A/D data register C (low) | ADDRCL | R | H'00 |
| H'FFE6 | A/D data register D (high) | ADDRDH | R | H'00 |
| H'FFE7 | A/D data register D (low) | ADDRDL | R | H'00 |
| H'FFE8 | A/D control/status register | ADCSR | R/(W)* ² | H'00 |
| H'FFE9 | A/D control register | ADCR | R/W | H'7F |

- Notes: 1. Lower 16 bits of the address
 2. Only 0 can be written in bit 7 to clear the flag.

13.2 Register Descriptions

13.2.1 A/D Data Registers A to D (ADDRA to ADDR D)

| | | | | | | | | | | | | | | | | |
|----------------------------|--|-----|-----|-----|-----|-----|-----|-----|-----|-----|----------------------|---|---|---|---|---|
| Bit | 15 | 14 | 13 | 12 | 11 | 10 | 9 | 8 | 7 | 6 | 5 | 4 | 3 | 2 | 1 | 0 |
| ADDRn | AD9 | AD8 | AD7 | AD6 | AD5 | AD4 | AD3 | AD2 | AD1 | AD0 | — | — | — | — | — | — |
| Initial value | 0 | 0 | 0 | 0 | 0 | 0 | 0 | 0 | 0 | 0 | 0 | 0 | 0 | 0 | 0 | 0 |
| Read/Write (n = A to D) | R | R | R | R | R | R | R | R | R | R | R | R | R | R | R | R |
| | A/D conversion data 10-bit data giving an A/D conversion result | | | | | | | | | | Reserved bits | | | | | |

The four A/D data registers (ADDRA to ADDR D) are 16-bit read-only registers that store the results of A/D conversion.

An A/D conversion produces 10-bit data, which is transferred for storage into the A/D data register corresponding to the selected channel. The upper 8 bits of the result are stored in the upper byte of the A/D data register. The lower 2 bits are stored in the lower byte. Bits 5 to 0 of an A/D data register are reserved bits that always read 0. Table 13.3 indicates the pairings of analog input channels and A/D data registers.

The CPU can always read the A/D data registers. The upper byte can be read directly, but the lower byte is read through a temporary register (TEMP). For details see section 13.3, CPU Interface.

The A/D data registers are initialized to H'0000 by a reset and in standby mode.

Table 13.3 Analog Input Channels and A/D Data Registers

| Analog Input Channel | | A/D Data Register |
|----------------------|---------|-------------------|
| Group 0 | Group 1 | |
| AN0 | AN4 | ADDRA |
| AN1 | AN5 | ADDRB |
| AN2 | AN6 | ADDRC |
| AN3 | AN7 | ADDRD |

13.2.2 A/D Control/Status Register (ADCSR)

| Bit | 7 | 6 | 5 | 4 | 3 | 2 | 1 | 0 |
|---------------|--------|------|------|------|-----|-----|-----|-----|
| | ADF | ADIE | ADST | SCAN | CKS | CH2 | CH1 | CH0 |
| Initial value | 0 | 0 | 0 | 0 | 0 | 0 | 0 | 0 |
| Read/Write | R/(W)* | R/W | R/W | R/W | R/W | R/W | R/W | R/W |

A/D end flag
 Indicates end of A/D conversion

A/D interrupt enable
 Enables and disables A/D end interrupts

A/D start
 Starts or stops A/D conversion

Scan mode
 Selects single mode or scan mode

Clock select
 Selects the A/D conversion time

Channel select 2 to 0
 These bits select analog input channels

Note: * Only 0 can be written to clear the flag.

ADCSR is an 8-bit readable/writable register that selects the mode and controls the A/D converter. ADCSR is initialized to H'00 by a reset and in standby mode.

Bit 7—A/D End Flag (ADF): Indicates the end of A/D conversion.

Bit 7

| ADF | Description |
|-----|--|
| 0 | [Clearing condition] Cleared by reading ADF while ADF = 1, then writing 0 in ADF (Initial value) |
| 1 | [Setting conditions] <ul style="list-style-type: none"> • Single mode: A/D conversion ends • Scan mode: A/D conversion ends in all selected channels |

Bit 6—A/D Interrupt Enable (ADIE): Enables or disables the interrupt (ADI) requested at the end of A/D conversion.

| Bit 6 ADIE | Description | |
|---------------|---|-----------------|
| 0 | A/D end interrupt request (ADI) is disabled | (Initial value) |
| 1 | A/D end interrupt request (ADI) is enabled | |

Bit 5—A/D Start (ADST): Starts or stops A/D conversion. The ADST bit remains set to 1 during A/D conversion. It can also be set to 1 by external trigger input at the $\overline{\text{ADTRG}}$ pin.

| Bit 5 ADST | Description | |
|---------------|--|-----------------|
| 0 | A/D conversion is stopped | (Initial value) |
| 1 | Single mode: A/D conversion starts; ADST is automatically cleared to 0 when conversion ends. Scan mode: A/D conversion starts and continues, cycling among the selected channels, until ADST is cleared to 0 by software, by a reset, or by a transition to standby mode. | |

Bit 4—Scan Mode (SCAN): Selects single mode or scan mode. For further information on operation in these modes, see section 13.4, Operation. Clear the ADST bit to 0 before switching the conversion mode.

| Bit 4 SCAN | Description | |
|---------------|-------------|-----------------|
| 0 | Single mode | (Initial value) |
| 1 | Scan mode | |

Bit 3—Clock Select (CKS): Selects the A/D conversion time. Clear the ADST bit to 0 before switching the conversion time.

| Bit 3 CKS | Description | |
|--------------|--|-----------------|
| 0 | Conversion time = 266 states (maximum) | (Initial value) |
| 1 | Conversion time = 134 states (maximum) | |

Bits 2 to 0—Channel Select 2 to 0 (CH2 to CH0): These bits and the SCAN bit select the analog input channels. Clear the ADST bit to 0 before changing the channel selection.

| Group Selection | Channel Selection | | Description | |
|-----------------|-------------------|-----|---------------------------------|------------------------------------|
| | CH1 | CH0 | Single Mode | Scan Mode |
| 0 | 0 | 0 | AN ₀ (Initial value) | AN ₀ |
| | | 1 | AN ₁ | AN ₀ , AN ₁ |
| | 1 | 0 | AN ₂ | AN ₀ to AN ₂ |
| | | 1 | AN ₃ | AN ₀ to AN ₃ |
| 1 | 0 | 0 | AN ₄ | AN ₄ |
| | | 1 | AN ₅ | AN ₄ , AN ₅ |
| | 1 | 0 | AN ₆ | AN ₄ to AN ₆ |
| | | 1 | AN ₇ | AN ₄ to AN ₇ |

13.2.3 A/D Control Register (ADCR)

| Bit | 7 | 6 | 5 | 4 | 3 | 2 | 1 | 0 |
|---------------|------|---|---|---|---|---|---|---|
| | TRGE | — | — | — | — | — | — | — |
| Initial value | 0 | 1 | 1 | 1 | 1 | 1 | 1 | 1 |
| Read/Write | R/W | — | — | — | — | — | — | — |

Reserved bits

Trigger enable

Enables or disables external triggering of A/D conversion

ADCR is an 8-bit readable/writable register that enables or disables external triggering of A/D conversion. ADCR is initialized to H'7F by a reset and in standby mode.

Bit 7—Trigger Enable (TRGE): Enables or disables external triggering of A/D conversion.

Bit 7

| TRGE | Description |
|------|--|
| 0 | A/D conversion cannot be externally triggered (Initial value) |
| 1 | A/D conversion starts at the falling edge of the external trigger signal ($\overline{\text{ADTRG}}$) |

Bits 6 to 0—Reserved: These bits cannot be modified and are always read as 1.

13.3 CPU Interface

ADDRA to ADDR_D are 16-bit registers, but they are connected to the CPU by an 8-bit data bus. Therefore, although the upper byte can be accessed directly by the CPU, the lower byte is read through an 8-bit temporary register (TEMP).

An A/D data register is read as follows. When the upper byte is read, the upper-byte value is transferred directly to the CPU and the lower-byte value is transferred into TEMP. Next, when the lower byte is read, the TEMP contents are transferred to the CPU.

When reading an A/D data register, always read the upper byte before the lower byte. It is possible to read only the upper byte, but if only the lower byte is read, incorrect data may be obtained.

Figure 13.2 shows the data flow for access to an A/D data register.

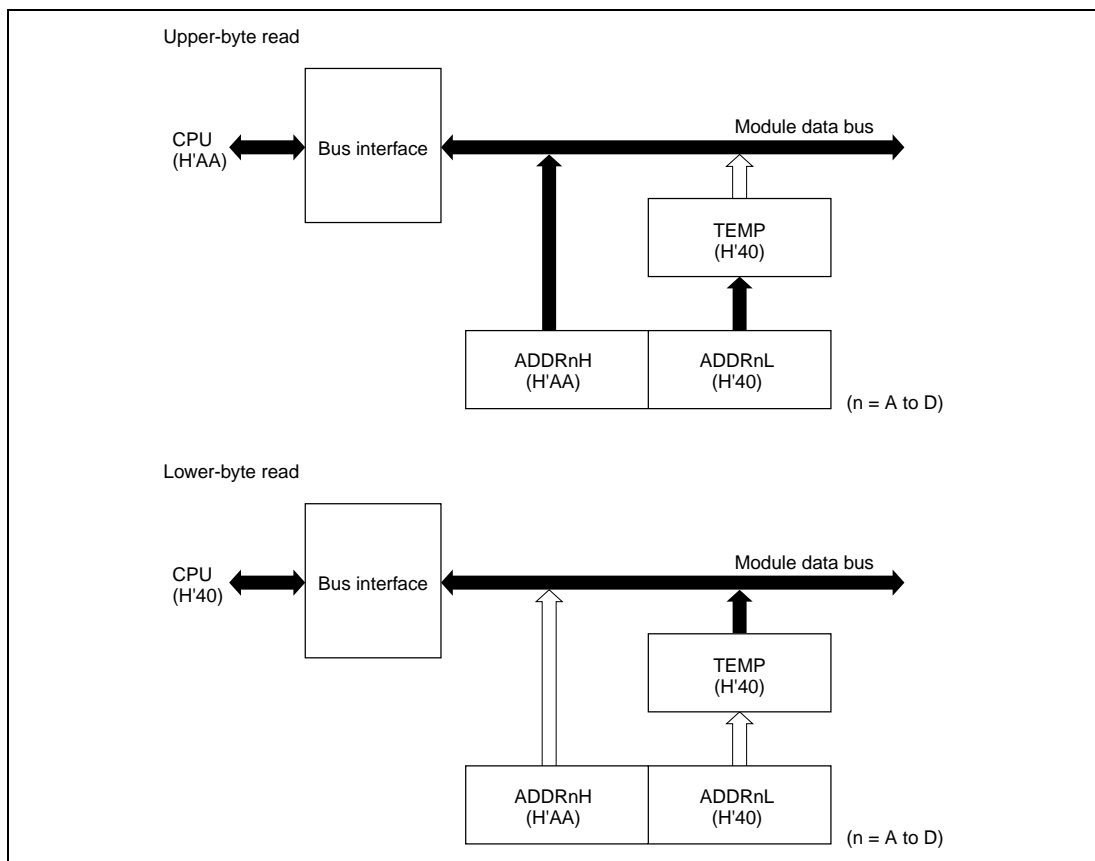


Figure 13.2 A/D Data Register Access Operation (Reading H'AA40)

13.4 Operation

The A/D converter operates by successive approximations with 10-bit resolution. It has two operating modes: single mode and scan mode.

13.4.1 Single Mode (SCAN = 0)

Single mode should be selected when only one A/D conversion on one channel is required. A/D conversion starts when the ADST bit is set to 1 by software, or by external trigger input. The ADST bit remains set to 1 during A/D conversion and is automatically cleared to 0 when conversion ends.

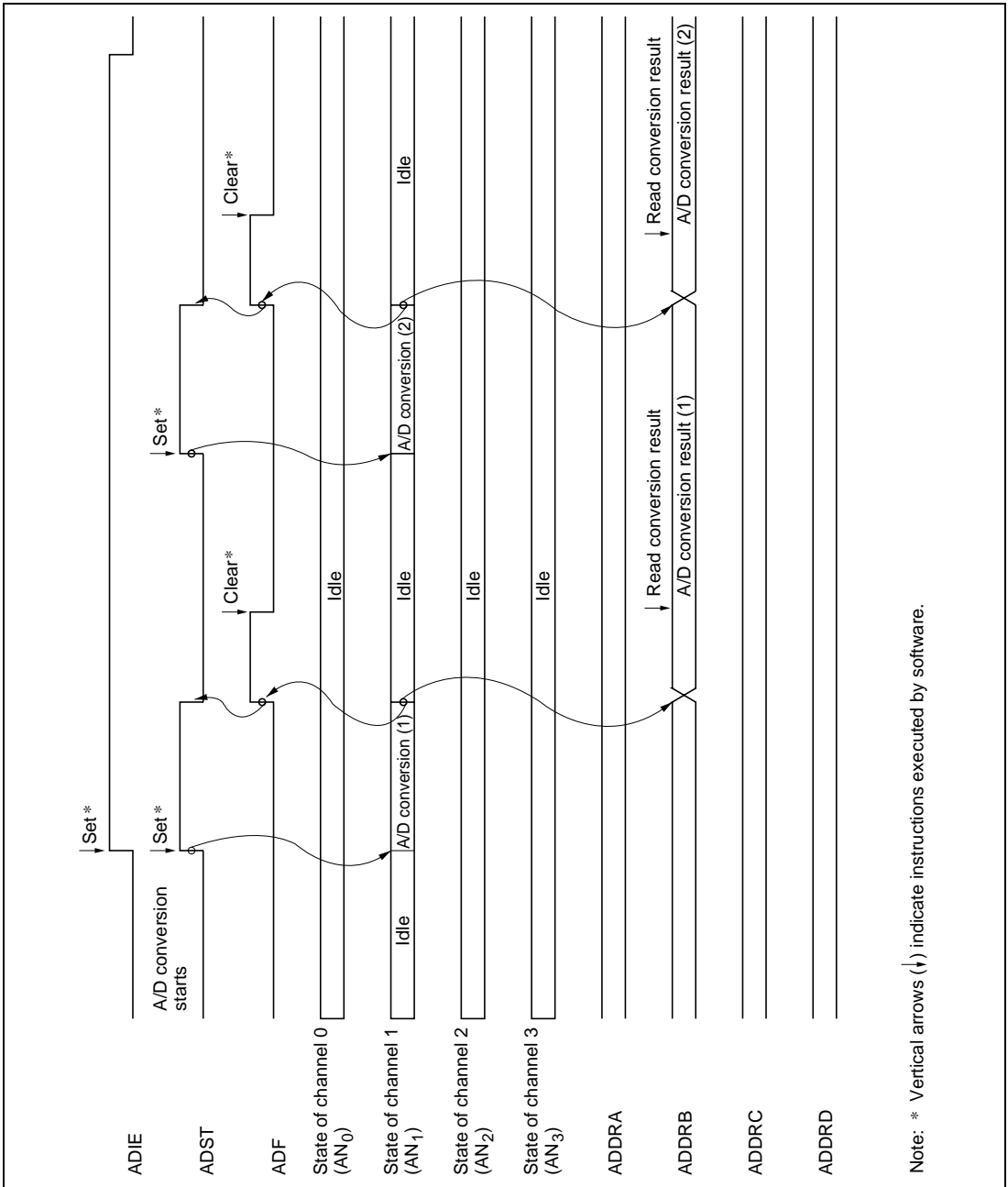
When conversion ends the ADF bit is set to 1. If the ADIE bit is also set to 1, an ADI interrupt is requested at this time. To clear the ADF flag to 0, first read ADCSR, then write 0 in ADF.

When the mode or analog input channel must be switched during analog conversion, to prevent incorrect operation, first clear the ADST bit to 0 in ADCSR to halt A/D conversion. After making the necessary changes, set the ADST bit to 1 to start A/D conversion again. The ADST bit can be set at the same time as the mode or channel is changed.

Typical operations when channel 1 (AN_1) is selected in single mode are described next.

Figure 13.3 shows a timing diagram for this example.

1. Single mode is selected (SCAN = 0), input channel AN_1 is selected (CH2 = CH1 = 0, CH0 = 1), the A/D interrupt is enabled (ADIE = 1), and A/D conversion is started (ADST = 1).
2. When A/D conversion is completed, the result is transferred into ADDR0. At the same time the ADF flag is set to 1, the ADST bit is cleared to 0, and the A/D converter becomes idle.
3. Since ADF = 1 and ADIE = 1, an ADI interrupt is requested.
4. The A/D interrupt handling routine starts.
5. The routine reads ADCSR, then writes 0 in the ADF flag.
6. The routine reads and processes the conversion result (ADDR0).
7. Execution of the A/D interrupt handling routine ends. After that, if the ADST bit is set to 1, A/D conversion starts again and steps 2 to 7 are repeated.



**Figure 13.3 Example of A/D Converter Operation
(Single Mode, Channel 1 Selected)**

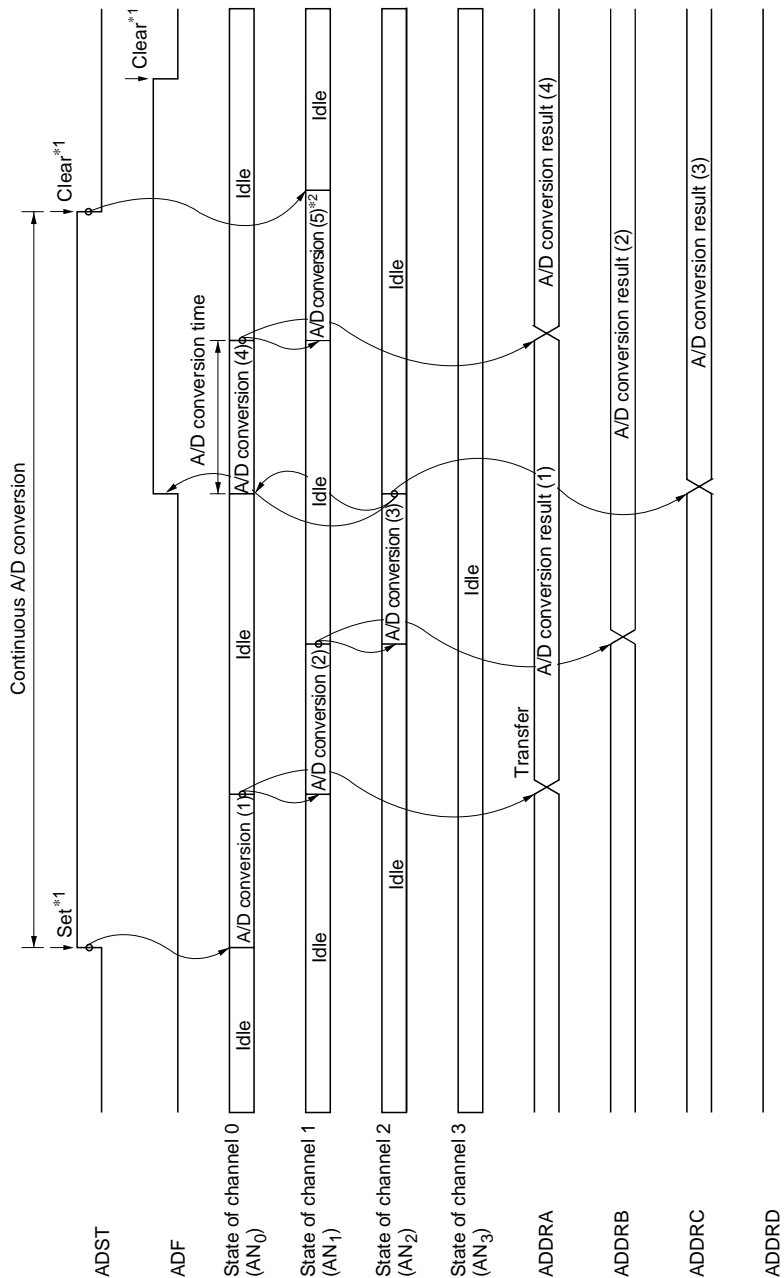
13.4.2 Scan Mode (SCAN = 1)

Scan mode is useful for monitoring analog inputs in a group of one or more channels. When the ADST bit is set to 1 by software or external trigger input, A/D conversion starts on the first channel in the group (AN_0 when $CH2 = 0$, AN_4 when $CH2 = 1$). When two or more channels are selected, after conversion of the first channel ends, conversion of the second channel (AN_1 or AN_5) starts immediately. A/D conversion continues cyclically on the selected channels until the ADST bit is cleared to 0. The conversion results are transferred for storage into the A/D data registers corresponding to the channels.

When the mode or analog input channel selection must be changed during analog conversion, to prevent incorrect operation, first clear the ADST bit to 0 in ADCSR to halt A/D conversion. After making the necessary changes, set the ADST bit to 1. A/D conversion will start again from the first channel in the group. The ADST bit can be set at the same time as the mode or channel selection is changed.

Typical operations when three channels in group 0 (AN_0 to AN_2) are selected in scan mode are described next. Figure 13.4 shows a timing diagram for this example.

1. Scan mode is selected ($SCAN = 1$), scan group 0 is selected ($CH2 = 0$), analog input channels AN_0 to AN_2 are selected ($CH1 = 1$, $CH0 = 0$), and A/D conversion is started ($ADST = 1$).
2. When A/D conversion of the first channel (AN_0) is completed, the result is transferred into ADDRA. Next, conversion of the second channel (AN_1) starts automatically.
3. Conversion proceeds in the same way through the third channel (AN_2).
4. When conversion of all selected channels (AN_0 to AN_2) is completed, the ADF flag is set to 1 and conversion of the first channel (AN_0) starts again. If the ADIE bit is set to 1, an ADI interrupt is requested at this time.
5. Steps 2 to 4 are repeated as long as the ADST bit remains set to 1. When the ADST bit is cleared to 0, A/D conversion stops. After that, if the ADST bit is set to 1, A/D conversion starts again from the first channel (AN_0).



Notes: 1. Vertical arrows (↓) indicate instructions executed by software.
 2. Data currently being converted is ignored.

Figure 13.4 Example of A/D Converter Operation
 (Scan Mode, Channels AN₀ to AN₂ Selected)

13.4.3 Input Sampling and A/D Conversion Time

The A/D converter has a built-in sample-and-hold circuit. The A/D converter samples the analog input at a time t_D after the ADST bit is set to 1, then starts conversion. Figure 13.5 shows the A/D conversion timing. Table 13.4 indicates the A/D conversion time.

As indicated in figure 13.5, the A/D conversion time includes t_D and the input sampling time. The length of t_D varies depending on the timing of the write access to ADCSR. The total conversion time therefore varies within the ranges indicated in table 13.4.

In scan mode, the values given in table 13.4 apply to the first conversion. In the second and subsequent conversions the conversion time is fixed at 256 states when $CKS = 0$ or 128 states when $CKS = 1$.

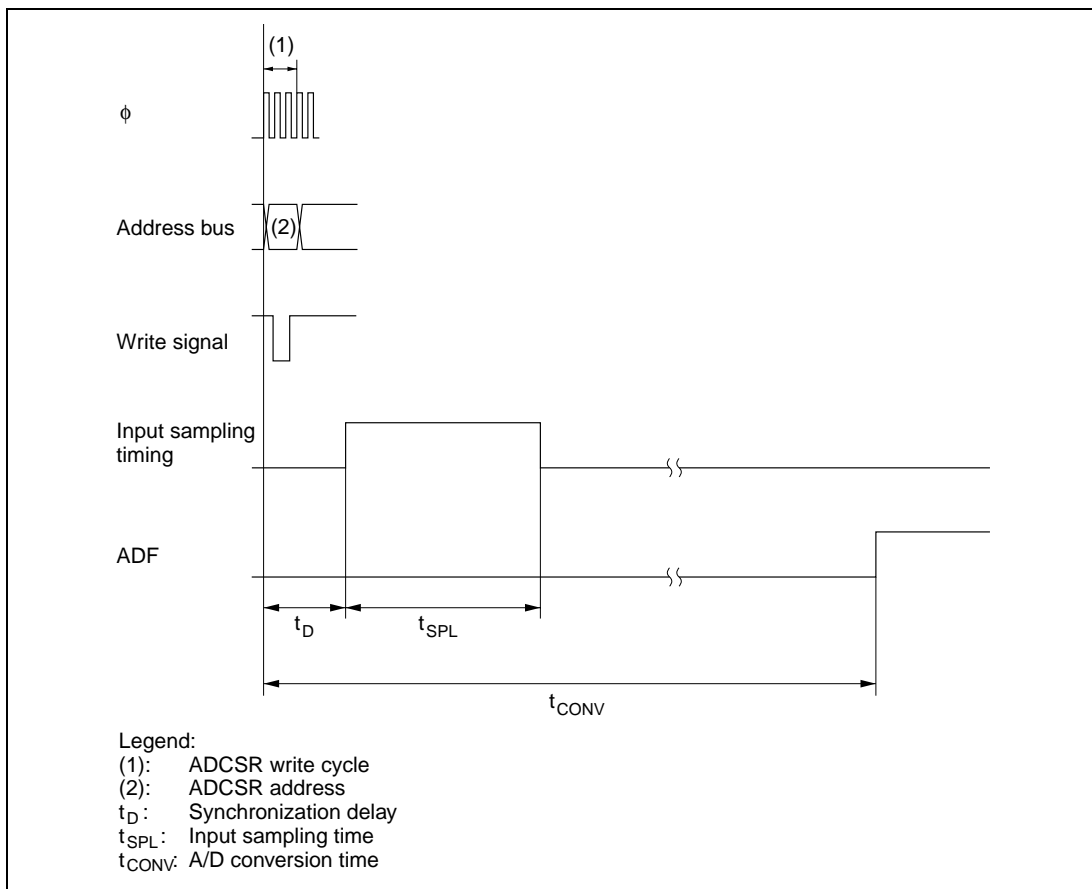


Figure 13.5 A/D Conversion Timing

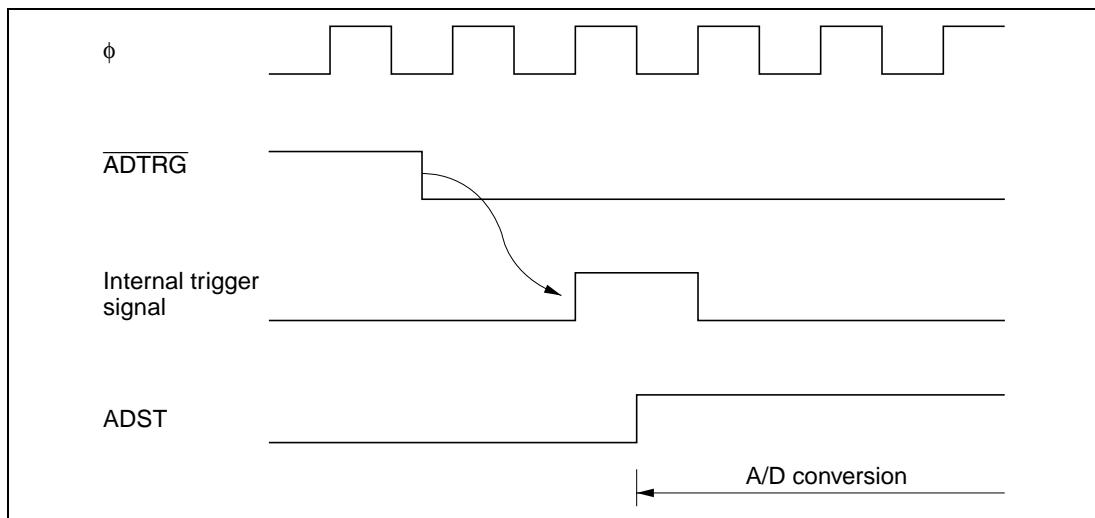
Table 13.4 A/D Conversion Time (Single Mode)

| | Symbol | CKS = 0 | | | CKS = 1 | | |
|-----------------------|------------|---------|-----|-----|---------|-----|-----|
| | | Min | Typ | Max | Min | Typ | Max |
| Synchronization delay | t_D | 10 | — | 17 | 6 | — | 9 |
| Input sampling time | t_{SPL} | — | 63 | — | — | 31 | — |
| A/D conversion time | t_{CONV} | 259 | — | 266 | 131 | — | 134 |

Note: Values in the table are numbers of states.

13.4.4 External Trigger Input Timing

A/D conversion can be externally triggered. When the TRGE bit is set to 1 in ADCR, external trigger input is enabled at the \overline{ADTRG} pin. A high-to-low transition at the \overline{ADTRG} pin sets the ADST bit to 1 in ADCSR, starting A/D conversion. Other operations, in both single and scan modes, are the same as if the ADST bit had been set to 1 by software. Figure 13.6 shows the timing.

**Figure 13.6 External Trigger Input Timing**

13.5 Interrupts

The A/D converter generates an interrupt (ADI) at the end of A/D conversion. The ADI interrupt request can be enabled or disabled by the ADIE bit in ADCSR.

13.6 Usage Notes

The following points should be noted when using the A/D converter.

Setting Range of Analog Power Supply and Other Pins

(1) Analog input voltage range

The voltage applied to analog input pins AN_0 to AN_7 during A/D conversion should be in the range $AV_{SS} \leq AN_n \leq AV_{CC}$.

(2) Relation between AV_{CC} , AV_{SS} and V_{CC} , V_{SS}

As the relationship between AV_{CC} , AV_{SS} and V_{CC} , V_{SS} , set $AV_{SS} = V_{SS}$. If the A/D converter is not used, the AV_{CC} and AV_{SS} pins must on no account be left open.

If conditions (1) and (2) above are not met, the reliability of the device may be adversely affected.

Notes on Board Design

In board design, digital circuitry and analog circuitry should be as mutually isolated as possible, and layout in which digital circuit signal lines and analog circuit signal lines cross or are in close proximity should be avoided as far as possible. Failure to do so may result in incorrect operation of the analog circuitry due to inductance, adversely affecting A/D conversion values.

Also, digital circuitry must be isolated from the analog input signals (AN_0 to AN_7), and analog power supply and reference voltage (AV_{CC}) by the analog ground (AV_{SS}). Also, the analog ground (AV_{SS}) should be connected at one point to a stable digital ground (V_{SS}) on the board.

Notes on Noise Countermeasures

A protection circuit connected to prevent damage due to an abnormal voltage such as an excessive surge at the analog input pins (AN_0 to AN_7) and analog power supply (AV_{CC}) should be connected between AV_{CC} and AV_{SS} as shown in figure 13.7.

Also, the bypass capacitors connected to AV_{CC} and the filter capacitor connected to AN_0 to AN_7 must be connected to AV_{SS} .

If a filter capacitor is connected as shown in figure 13.7, the input currents at the analog input pins (AN_0 to AN_7) are averaged, and so an error may arise. Also, when A/D conversion is performed frequently, as in scan mode, if the current charged and discharged by the capacitance of the sample-and-hold circuit in the A/D converter exceeds the current input via the input impedance (R_{in}), an error will arise in the analog input pin voltage. Therefore careful consideration is required when deciding the circuit constants.

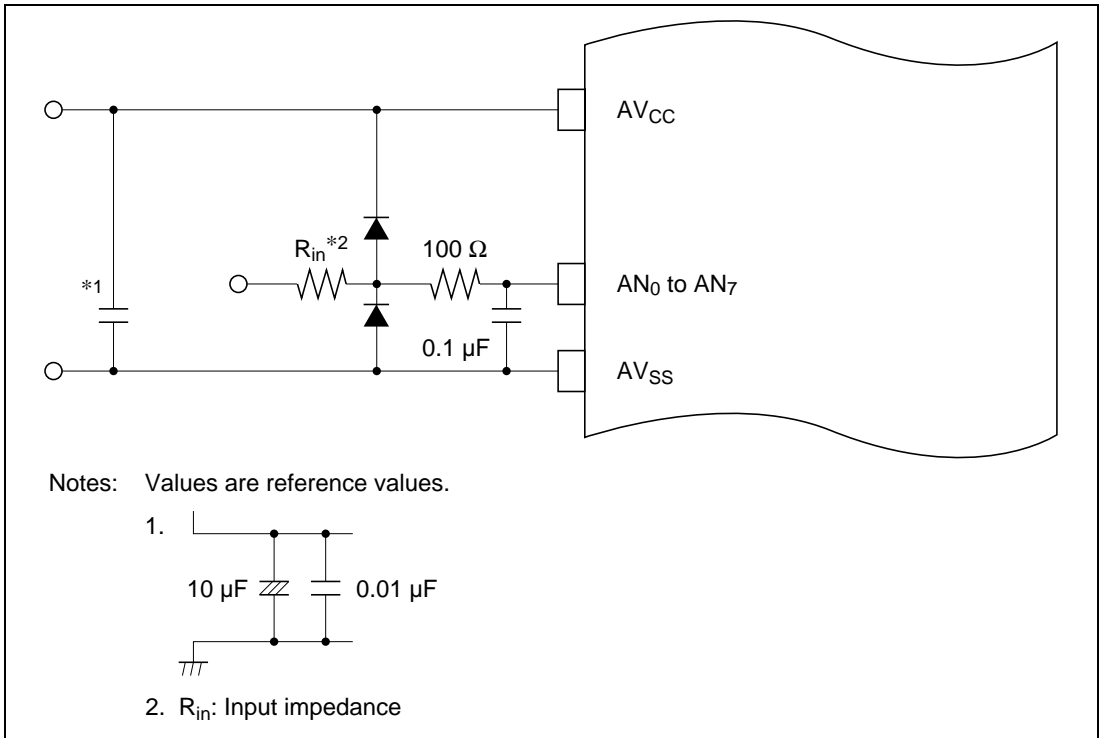
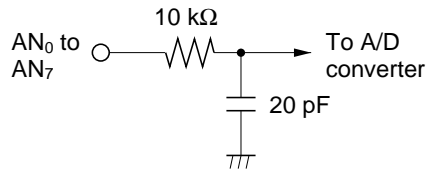


Figure 13.7 Example of Analog Input Protection Circuit

Table 13.5 Analog Pin Specifications

| Item | Min | Max | Unit |
|-------------------------------------|-----|-----|------|
| Analog input capacitance | — | 20 | pF |
| Permissible signal source impedance | — | 10* | kΩ |

Note: * When $V_{cc} = 4.0$ V to 5.5 V and $\phi \leq 12$ MHz



Note: Values are reference values.

Figure 13.8 Analog Input Pin Equivalent Circuit

A/D Conversion Precision Definitions

H8/3039 Group A/D conversion precision definitions are given below.

- Resolution
The number of A/D converter digital output codes
- Offset error
The deviation of the analog input voltage value from the ideal A/D conversion characteristic when the digital output changes from the minimum voltage value B'000000000 (H'000) to B'000000001 (H'001) (see figure 13.10).
- Full-scale error
The deviation of the analog input voltage value from the ideal A/D conversion characteristic when the digital output changes from B'111111110 (H'3FE) to B'111111111 (H'3FF) (see figure 13.10).
- Quantization error
The deviation inherent in the A/D converter, given by 1/2 LSB (see figure 13.9).
- Nonlinearity error
The error with respect to the ideal A/D conversion characteristic between the zero voltage and the full-scale voltage. Does not include the offset error, full-scale error, or quantization error.
- Absolute precision
The deviation between the digital value and the analog input value. Includes the offset error, full-scale error, quantization error, and nonlinearity error.

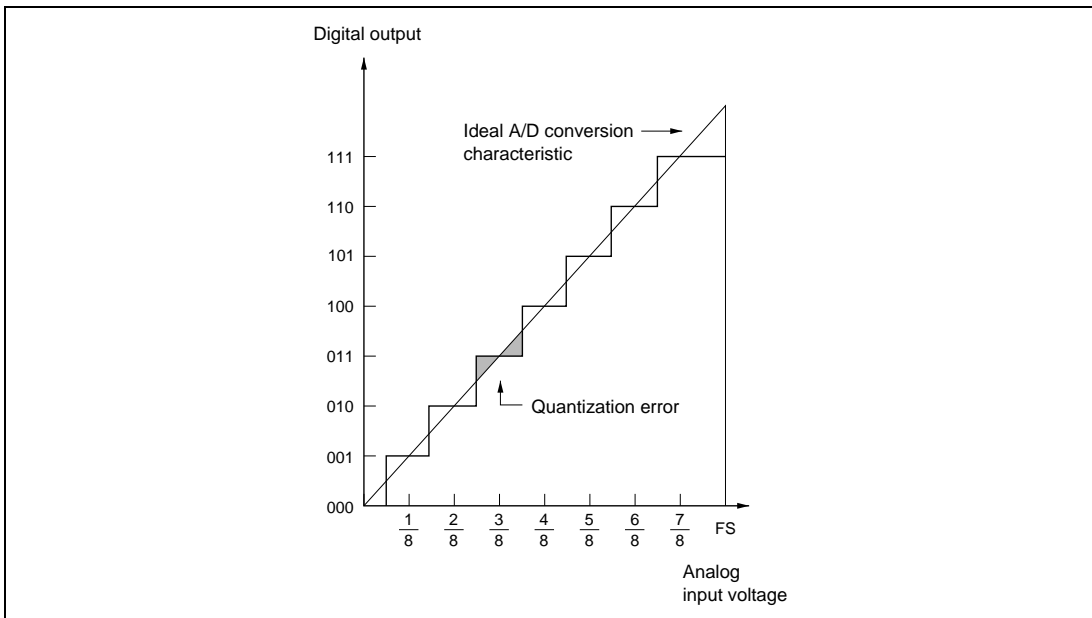


Figure 13.9 A/D Conversion Precision Definitions (1)

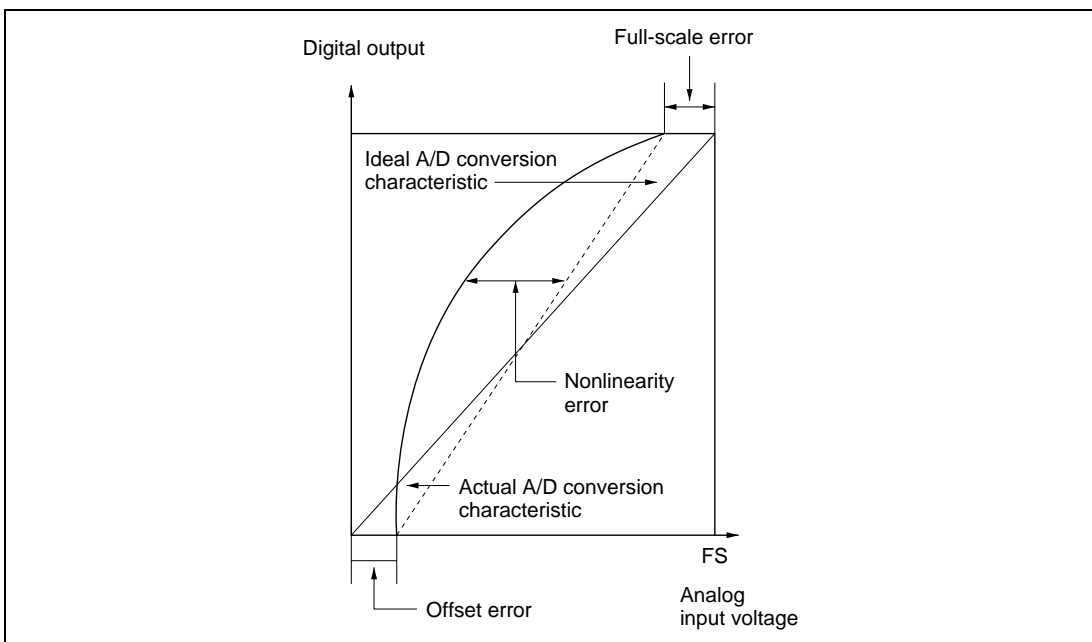


Figure 13.10 A/D Conversion Precision Definitions (2)

Permissible Signal Source Impedance

H8/3039 Group analog input is designed so that conversion precision is guaranteed for an input signal for which the signal source impedance is 10 k Ω or less. This specification is provided to enable the A/D converter's sample-and-hold circuit input capacitance to be charged within the sampling time; if the sensor output impedance exceeds 10 k Ω , charging may be insufficient and it may not be possible to guarantee the A/D conversion precision.

When converting in the single mode, if a large capacitance is provided externally, the input load will essentially comprise only the internal input resistance of 10 k Ω , and the signal source impedance is ignored.

However, since a low-pass filter effect is obtained in this case, it may not be possible to follow an analog signal with a large differential coefficient (e.g., voltage regulation 5 mV/ μ s or greater).

When converting a high-speed analog signal and when performing conversion in the scan mode, a low-impedance buffer should be inserted.

Influences on Absolute Precision

Adding capacitance results in coupling with GND, and therefore noise in GND may adversely affect absolute precision. Be sure to make the connection to an electrically stable GND such as AV_{SS}.

Care is also required to insure that filter circuits do not communicate with digital signals on the mounting board, thus acting as antennas.

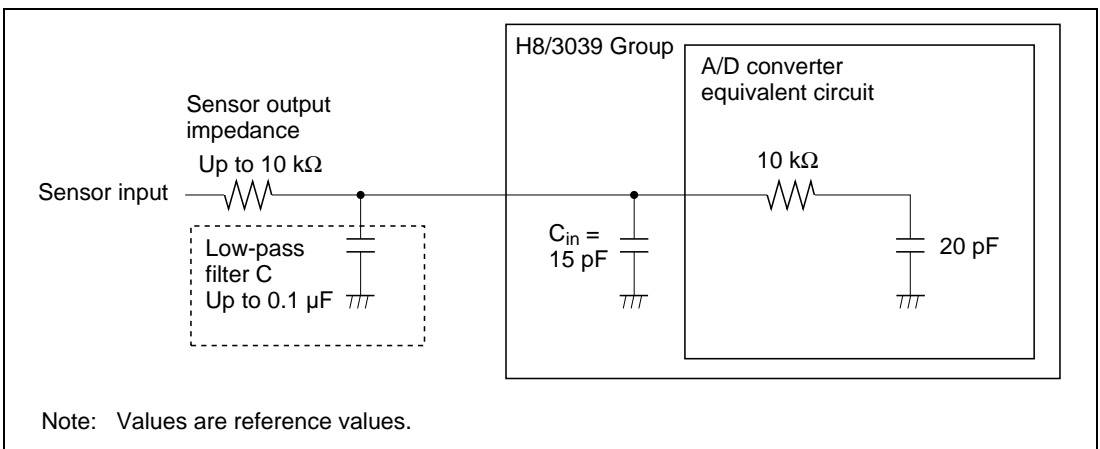


Figure 13.11 Example of Analog Input Circuit

Section 14 RAM

14.1 Overview

The H8/3039 has 4 kbytes of on-chip static RAM, H8/3038 has 2 kbytes, H8/3037 has 1 kbyte, and H8/3036 has 512 bytes. The RAM is connected to the CPU by a 16-bit data bus. The CPU accesses both byte data and word data in two states, making the RAM suitable for rapid data transfer.

The RAM enable bit (RAME) in the system control register (SYSCR) can enable or disable the on-chip RAM.

Table 14.1 shows the address of the on-chip RAM in each operating mode.

Table 14.1 The Address of the On-Chip RAM in Each Operating Mode

| Mode | H8/3039 (4 kbytes) | H8/3038 (2 kbytes) | H8/3037 (1k byte) | H8/3036 (512 bytes) |
|---------------|-------------------------------|-------------------------------|------------------------------|--------------------------------|
| Modes 1, 5, 7 | H'FEF10 to H'FFF0F | H'FF710 to H'FFF0F | H'FFB10 to H'FFF0F | H'FFD10 to H'FFF0F |
| Mode 3 | H'FFE10 to H'FFF0F | H'FFF710 to H'FFF0F | H'FFFB10 to H'FFF0F | H'FFFD10 to H'FFF0F |
| Mode 6 | H'F710 to H'FF0F | H'F710 to H'FF0F | H'FB10 to H'FF0F | H'FD10 to H'FF0F |

14.1.1 Block Diagram

Figure 14.1 shows a block diagram of the on-chip RAM.

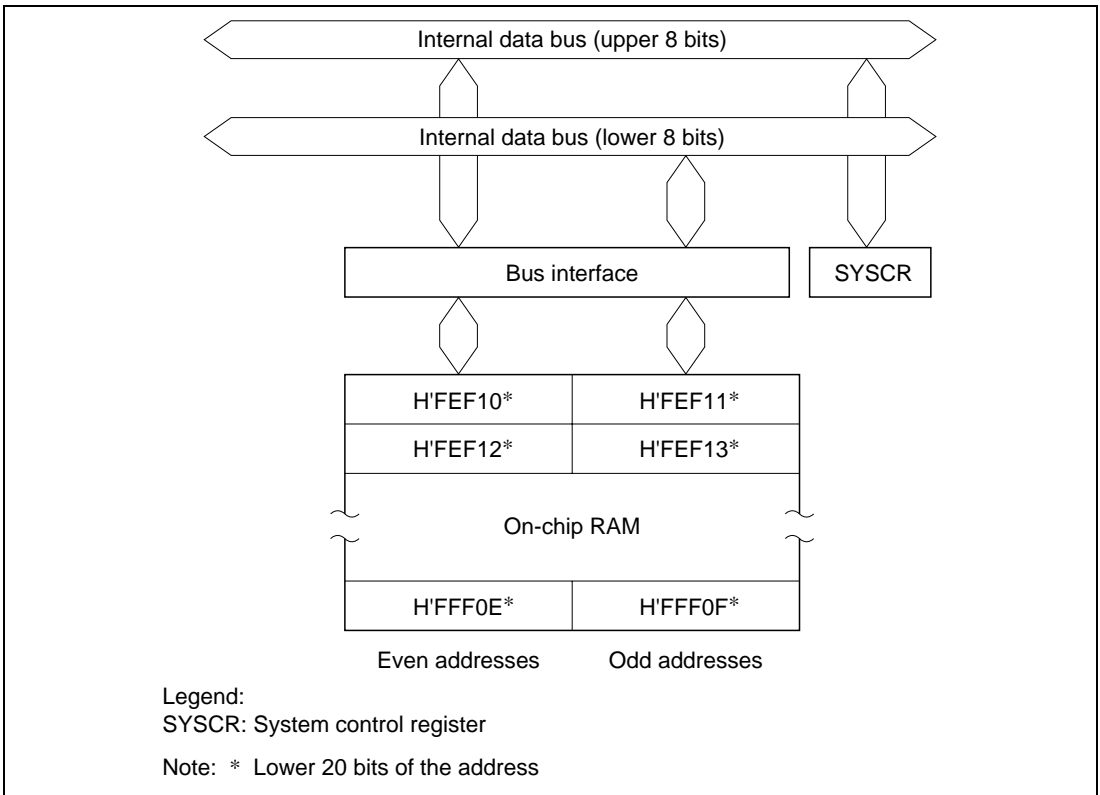


Figure 14.1 RAM Block Diagram (H8/3039 in Modes 1, 5 and 7)

14.1.2 Register Configuration

The on-chip RAM is controlled by the system control register (SYSCR). Table 14.2 gives the address and initial value of SYSCR.

Table 14.2 RAM Control Register

| Address* | Name | Abbreviation | R/W | Initial Value |
|----------|-------------------------|--------------|-----|---------------|
| H'FFF2 | System control register | SYSCR | R/W | H'0B |

Note: * Lower 16 bits of the address

14.2 System Control Register (SYSCR)

| Bit | 7 | 6 | 5 | 4 | 3 | 2 | 1 | 0 |
|---------------|------|------|------|------|-----|-------|---|------|
| | SSBY | STS2 | STS1 | STS0 | UE | NMIEG | — | RAME |
| Initial value | 0 | 0 | 0 | 0 | 1 | 0 | 1 | 1 |
| Read/Write | R/W | R/W | R/W | R/W | R/W | R/W | — | R/W |

RAM enable bit
 Enables or disables on-chip RAM
 Reserved bit
 NMI edge select
 User bit enable
 Standby timer select 2 to 0
 Software standby

One function of SYSCR is to enable or disable access to the on-chip RAM. The on-chip RAM is enabled or disabled by the RAME bit in SYSCR. For details about the other bits, see section 3.3, System Control Register (SYSCR).

Bit 0—RAM Enable (RAME): Enables or disables the on-chip RAM. The RAME bit is initialized at the rising edge of the input at the RES pin. It is not initialized in software standby mode.

Bit 0

| RAME | Description |
|------|--|
| 0 | On-chip RAM is disabled |
| 1 | On-chip RAM is enabled (Initial value) |

14.3 Operation

When the RAME bit is set to 1, the on-chip RAM is enabled. This LSI can access the on-chip RAM when addressing the addresses shown in table 14.1 in each operation mode. When the RAME bit is cleared to 0 in modes 1, 3, and 5 (expanded modes), external address space is accessed. When the RAME bit is cleared to 0 in modes 6 and 7 (single-chip modes), the on-chip RAM is not accessed. Read operation always reads H'FF and disables writing.

The on-chip RAM is connected to the CPU by a 16-bit wide data bus and can be read and written on a byte or a word basis.

Byte data can be accessed in two states using the higher 8 bits of the data bus. Word data beginning from an even address can be accessed in two states using the 16-bit data bus.

Section 15 ROM

15.1 Overview

The H8/3039 has 128 kbytes of on-chip ROM (flash memory or mask ROM), the H8/3038 has 64 kbytes, the H8/3037 has 32 kbytes and H8/3036 has 16 kbytes. The ROM is connected to the CPU by a 16-bit data bus. The CPU accesses both byte and word data in two states, enabling rapid data transfer.

The mode pins (MD_2 to MD_0) can be set to enable or disable the on-chip ROM. See table 15.1.

The on-chip flash memory product (H8/3039F-ZTAT) can be erased and programmed on-board as well as with a general-purpose PROM programmer.

Table 15.1 Operating Mode and ROM

| Mode | Mode Pins | | | On-Chip ROM |
|---|-----------|--------|--------|----------------------------------|
| | MD_2 | MD_1 | MD_0 | |
| Mode 1 (1-Mbyte expanded mode with on-chip ROM disabled) | 0 | 0 | 1 | Disabled (external address area) |
| Mode 2 (1-Mbyte expanded mode with on-chip ROM disabled)* | 0 | 1 | 0 | |
| Mode 3 (16-Mbyte expanded mode with on-chip ROM disabled) | 0 | 1 | 1 | |
| Mode 4 (16-Mbyte expanded mode with on-chip ROM disabled)* | 1 | 0 | 0 | |
| Mode 5 (16-Mbyte expanded mode with on-chip ROM enabled) | 1 | 0 | 1 | Enabled |
| Mode 6 (single-chip normal mode) | 1 | 1 | 0 | |
| Mode 7 (single-chip advanced mode) | 1 | 1 | 1 | |

Note: * Modes 2 and 4 cannot be used with this LSI. Do not set the mode pin to mode 2 or 4.

15.2 Overview of Flash Memory

15.2.1 Features

The features of the flash memory are summarized below.

- Four flash memory operating modes
 - Program mode
 - Erase mode
 - Program-verify mode
 - Erase-verify mode
- Programming/erase methods

The flash memory is programmed 32 bytes at a time. Erasing is performed by block erase. The block to be erased can be specified by setting the corresponding bit. There are block areas of 32 kbytes \times 3 blocks, 28 kbytes \times 1 block, and 1 kbyte \times 4 blocks.
- Programming/erase times

The flash memory programming time is 10 ms (typ.) for simultaneous 32-byte programming, equivalent to 300 μ s (typ.) per byte, and the erase time is 100 ms (typ.) per block.
- Reprogramming capability

The flash memory can be reprogrammed up to 100 times.
- On-board programming modes

There are two modes in which flash memory can be programmed/erased/verified on-board:

 - Boot mode
 - User program mode
- Automatic bit rate adjustment

With data transfer in boot mode, the this LSI's bit rate can be automatically adjusted to match the transfer bit rate of the host (9600 bps and 4800 bps).
- Flash memory emulation by RAM

Part of the RAM area can be overlapped onto flash memory, to emulate flash memory updates in real time.
- PROM mode

Flash memory can be programmed/erased in PROM mode, using a PROM programmer, as well as in on-board programming mode.
- Protect modes

There are three protect modes, hardware, software, and error protect, which allow protected status to be designated for flash memory program/erase/verify operations.

15.2.2 Block Diagram

Figure 15.1 shows a block diagram of the flash memory.

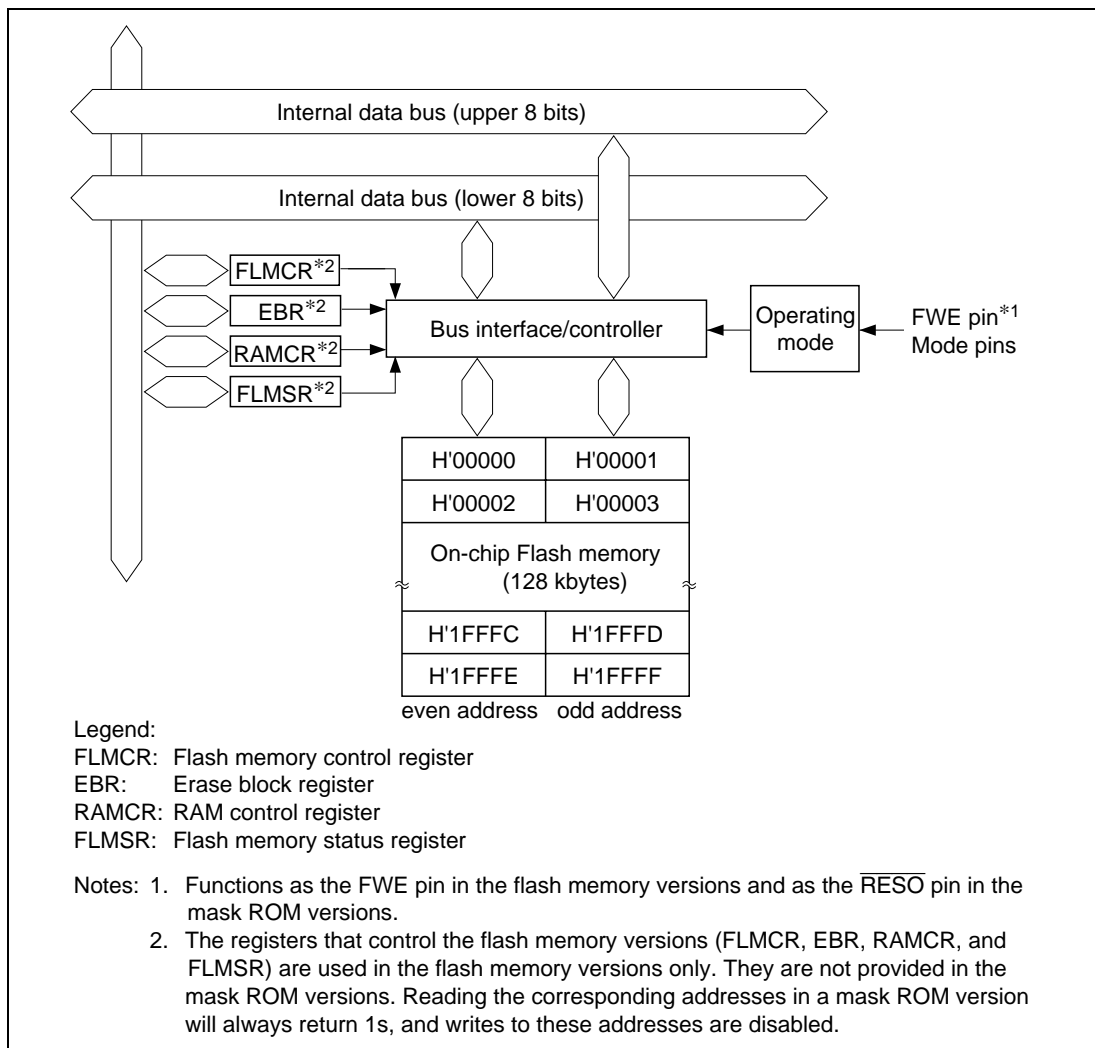


Figure 15.1 Block Diagram of Flash Memory

15.2.3 Pin Configuration

The flash memory is controlled by means of the pins shown in table 15.2.

Table 15.2 Flash Memory Pins

| Pin Name | Abbreviation | I/O | Function |
|--------------------|-------------------------|--------|--|
| Reset | $\overline{\text{RES}}$ | Input | Reset |
| Flash write enable | FWE* | Input | Flash program/erase protection by hardware |
| Mode 2 | MD ₂ | Input | Sets this LSI operating mode |
| Mode 1 | MD ₁ | Input | Sets this LSI operating mode |
| Mode 0 | MD ₀ | Input | Sets this LSI operating mode |
| Transmit data | TxD ₁ | Output | Serial transmit data output |
| Receive data | RxD ₁ | Input | Serial receive data input |

Notes: The transmit data and receive data pins are used in boot mode.

* In the mask ROM versions, the FWE pin functions as the $\overline{\text{RES0}}$ pin.

15.2.4 Register Configuration

The registers used to control the on-chip flash memory when enabled are shown in table 15.3.

Table 15.3 Flash Memory Registers

| Register Name | Abbreviation | R/W | Initial Value | Address* ¹ |
|-------------------------------|--------------|-----|--------------------|-----------------------|
| Flash memory control register | FLMCR | R/W | H'00* ² | H'FF40 |
| Erase block register | EBR | R/W | H'00 | H'FF42 |
| RAM control register | RAMCR | R/W | H'F1 | H'FF47 |
| Flash memory status register | FLMSR | R | H'7F | H'FF4D |

Notes: 1. Lower 16 bits of the address.

2. When a high level is input to the FWE pin, the initial value is H'80.

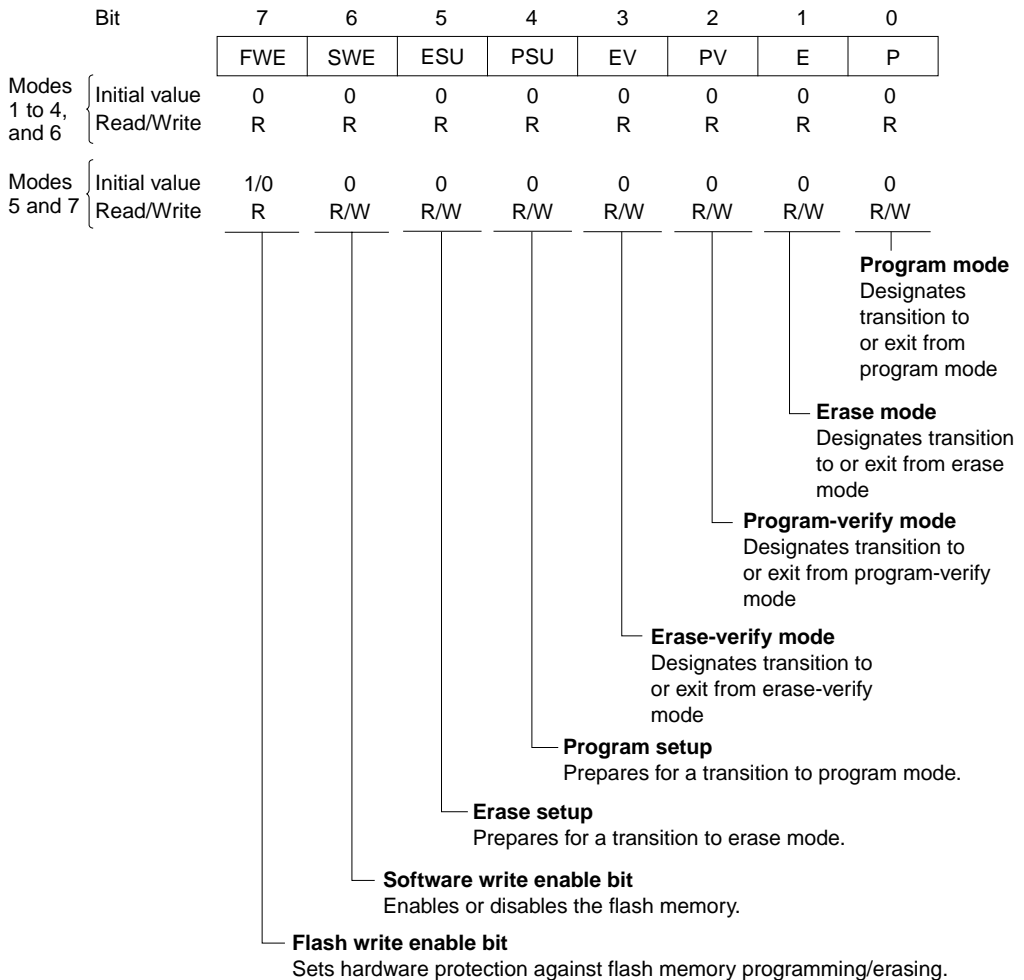
The registers in table 15.3 are used in the flash memory versions only. Reading the corresponding addresses in a mask ROM version will always return 1s, and writes to these addresses are disabled.

15.3 Register Descriptions

15.3.1 Flash Memory Control Register (FLMCR)

FLMCR is an 8-bit register used for flash memory operating mode control. Program-verify mode or erase-verify mode is entered by setting SWE to 1 when FWE = 1. Program mode is entered by setting SWE to 1 when FWE = 1, then setting the PSU bit, and finally setting the P bit. Erase mode is entered by setting SWE to 1 when FWE = 1, then setting the ESU bit, and finally setting the E bit. FLMCR is initialized by a reset, and in hardware standby mode and software standby mode. Its initial value is H'80 when a high level is input to the FWE pin, and H'00 when a low level is input. In mode 6 the FWE pin must be fixed low, as flash memory on-board programming is not supported. Therefore, bits in this register cannot be set to 1 in mode 6. When on-chip flash memory is disabled, a read will return H'00, and writes are invalid. When setting bits 6 to 0 in this register to 1, each bit should be set individually.

Writes to the ESU, PSU, EV and PV bits in FLMCR are enabled only when FWE = 1 and SWE = 1; writes to the E bit only when FWE = 1, SWE = 1, and ESU = 1; and writes to the P bit only when FWE = 1, SWE = 1, and PSU = 1.



Bit 7—Flash Write Enable Bit (FWE): Sets hardware protection against flash memory programming/erasing. When using this bit, refer to section 15.9, Notes on Flash Memory Programming/Erasing.

Bit 7

FWE Description

| | |
|---|---|
| 0 | When a low level is input to the FWE pin (hardware-protected state) |
| 1 | When a high level is input to the FWE pin |

Bit 6—Software Write Enable Bit (SWE)*¹*²: This bit enables/disables flash memory programming/erasing. This bit should be set before setting FLMCR bits 5 to 0, and EBR bits 7 to 0. Do not set the ESU, PSU, EV, PV, E, or P bits at the same time.

| Bit 6 SWE | Description | |
|--------------|--|-----------------|
| 0 | Program/erase disabled | (Initial value) |
| 1 | Program/erase enabled [Setting condition] When FWE = 1 | |

Bit 5—Erase Setup Bit (ESU)*¹: Prepares for a transition to erase mode. Do not set the SWE, PSU, EV, PV, E, or P bit at the same time.

| Bit 5 ESU | Description | |
|--------------|---|-----------------|
| 0 | Erase setup cleared | (Initial value) |
| 1 | Erase setup [Setting condition] When FWE = 1, and SWE = 1 | |

Bit 4—Program Setup Bit (PSU)*¹: Prepares for a transition to program mode. Do not set the SWE, ESU, EV, PV, E, or P bit at the same time.

| Bit 4 PSU | Description | |
|--------------|---|-----------------|
| 0 | Program setup cleared | (Initial value) |
| 1 | Program setup [Setting condition] When FWE = 1, and SWE = 1 | |

Bit 3—Erase-Verify (EV)*¹: Selects erase-verify mode transition or clearing. Do not set the SWE, ESU, PSU, PV, E, or P bit at the same time.

| Bit 3 EV | Description | |
|-------------|---|-----------------|
| 0 | Erase-verify mode cleared | (Initial value) |
| 1 | Transition to erase-verify mode [Setting condition] When FWE = 1, and SWE = 1 | |

Bit 2—Program-Verify (PV)*¹: Selects program-verify mode transition or clearing. Do not set the SWE, ESU, PSU, EV, E, or P bit at the same time.

| Bit 2 PV | Description | |
|-------------|---|-----------------|
| 0 | Program-verify mode cleared | (Initial value) |
| 1 | Transition to program-verify mode [Setting condition] When FWE = 1, and SWE = 1 | |

Bit 1—Erase (E)*¹*³: Selects erase mode transition or clearing. Do not set the SWE, ESU, PSU, EV, PV, or P bit at the same time.

| Bit 1 E | Description | |
|------------|---|-----------------|
| 0 | Erase mode cleared | (Initial value) |
| 1 | Transition to erase mode [Setting condition] When FWE = 1, SWE = 1, and ESU = 1 | |

Bit 0—Program (P)¹**³**: Selects program mode transition or clearing. Do not set the SWE, ESU, PSU, EV, PV, or E bit at the same time.

Bit 0

| P | Description |
|----------|---|
| 0 | Program mode cleared (Initial value) |
| 1 | Transition to program mode [Setting condition] When FWE = 1, SWE = 1, and PSU = 1 |

- Notes:
1. Do not set two or more bits at the same time.
Do not turn off V_{cc} when a bit is set.
 2. Do not set/clear the SWE bit simultaneously with other bits (ESU, PSU, EV, PV, E, P).
 3. Set the P and E bits according to the program and erase algorithms shown in section 15.5, Programming/Erasing Flash Memory.
For the usage precautions, see section 15.9, Notes on Flash Memory Programming/Erasing.

15.3.2 Erase Block Register (EBR)

EBR is an 8-bit register that designates the flash memory block for erasure. EBR is initialized to H'00 by a reset, in hardware standby mode, or software standby mode, when a high level is not input to the FWE terminal, or when the FLMCR SWE bit is 0 when a high level is applied to the FWE terminal. When a bit is set in EBR, the corresponding block can be erased. Other blocks are erase - protected. The blocks are erased block by block. Therefore, set only one bit in EBR; do not set bits in EBR to erase two or more blocks at the same time.

Each bit in EBR cannot be set until the SWE bit in FLMCR is set. The flash memory block configuration is shown in table 15.4. To erase all the blocks, erase each block sequentially.

This LSI does not support the on-board programming mode in mode 6, so bits in this register cannot be set to 1 in mode 6.

| Bit | | 7 | 6 | 5 | 4 | 3 | 2 | 1 | 0 |
|---------------------------|---------------|-----|-----|-----|-----|-----|-----|-----|-----|
| | | EB7 | EB6 | EB5 | EB4 | EB3 | EB2 | EB1 | EB0 |
| Modes 1 to 4, and 6 | Initial value | 0 | 0 | 0 | 0 | 0 | 0 | 0 | 0 |
| | Read/Write | R | R | R | R | R | R | R | R |
| Modes 5 and 7 | Initial value | 0 | 0 | 0 | 0 | 0 | 0 | 0 | 0 |
| | Read/Write | R/W | R/W | R/W | R/W | R/W | R/W | R/W | R/W |

Bits 7 to 0—Block 7 to 0 (EB7 to EB0): These bits select blocks (EB7 to EB0) to be erased.

Bits 7 to 0

EB7 to EB0 Description

| | | |
|---|-----------------------------------|-----------------|
| 0 | Block EB7 to EB0 is not selected. | (Initial value) |
| 1 | Block EB7 to EB0 is selected. | |

Note: Set each bit of EBR to H'00 except when erasing.

Table 15.4 Flash Memory Erase Blocks

| Block (Size) | Address |
|-----------------|--------------------|
| EB0 (1 kbyte) | H'00000 to H'003FF |
| EB1 (1 kbyte) | H'00400 to H'007FF |
| EB2 (1 kbyte) | H'00800 to H'00BFF |
| EB3 (1 kbyte) | H'00C00 to H'00FFF |
| EB4 (28 kbytes) | H'01000 to H'07FFF |
| EB5 (32 kbytes) | H'08000 to H'0FFFF |
| EB6 (32 kbytes) | H'10000 to H'17FFF |
| EB7 (32 kbytes) | H'18000 to H'1FFFF |

15.3.3 RAM Control Register (RAMCR)

RAMCR selects the RAM area used when emulating real-time reprogramming of the flash memory.

| Bit | | 7 | 6 | 5 | 4 | 3 | 2 | 1 | 0 |
|-----------------|---------------|---|---|---|---|------|------|------|---|
| | | — | — | — | — | RAMS | RAM2 | RAM1 | — |
| Modes 1 to 4 | Initial value | 1 | 1 | 1 | 1 | 0 | 0 | 0 | 1 |
| | Read/Write | — | — | — | — | R | R | R | — |
| Modes 5 to 7 | Initial value | 1 | 1 | 1 | 1 | 0 | 0 | 0 | 1 |
| | Read/Write | — | — | — | — | R/W* | R/W* | R/W* | — |

Reserved bit

RAM2/1
 This bit is used with bit 3 to set the RAM area.

RAM select
 This bit is used with bits 2 and 1 to set the RAM area.

Reserved bits

Note: * Cannot be set to 1 in mode 6.

Bits 7 to 4—Reserved: These bits cannot be modified and are always read as 1.

Bit 3—RAM Select (RAMS): Is used with bits 2 to 1 to reassign an area to RAM (see table 15.5). The initial setting for this bit is 0 in modes 5, 6, and 7 (internal flash memory enabled) and programming is enabled.* In modes other than 5 to 7, 0 is always read and writing is disabled. It is initialized by a reset and in hardware standby mode. It is not initialized in software standby mode.

When bit 3 is set, all flash-memory blocks are protected from programming and erasing.

Bits 2 to 1—RAM2 to RAM1: These bits are used with bit 3 to reassign an area to RAM (see table 15.5). The initial setting for this bit is 0 in modes 5, 6, and 7 (internal flash memory enabled) and programming is enabled.* In modes other than 5 to 7, 0 is always read and writing is disabled. They are initialized by a reset and in hardware standby mode. They are not initialized in software standby mode.

Bit 0—Reserved: This bit cannot be modified and is always read as 1.

Note: * Flash memory emulation by RAM is not supported for Mode 6 (single chip normal mode), so programming is possible, but do not set 1.

When performing flash memory emulation by RAM, the RAME bit in SYSCR must be set to 1.

Table 15.5 RAM Area Reassignment

| RAM Area | Bit 3 | Bit 2 | Bit 1 | RAM Emulation State |
|----------------------|-------|-------|-------|---------------------|
| | RAMS | RAM2 | RAM1 | |
| H'FFF800 to H'FFFBFF | 0 | 0/1 | 0/1 | No emulation |
| H'000000 to H'0003FF | 1 | 0 | 0 | Mapping RAM |
| H'000400 to H'0007FF | 1 | 0 | 1 | |
| H'000800 to H'000BFF | 1 | 1 | 0 | |
| H'000C00 to H'000FFF | 1 | 1 | 1 | |

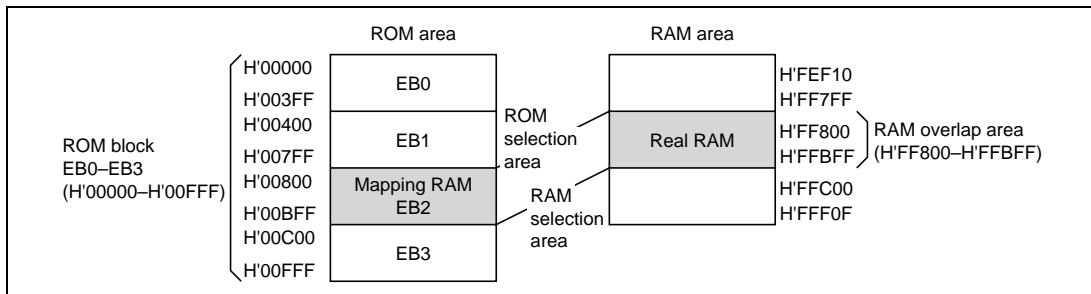


Figure 15.2 Example of Overlap ROM Area and RAM Area

15.3.4 Flash Memory Status Register (FLMSR)

The flash memory status register (FLMSR) detects flash memory errors.

| Bit | 7 | 6 | 5 | 4 | 3 | 2 | 1 | 0 |
|---------------|------|---|---|---|---|---|---|---|
| | FLER | — | — | — | — | — | — | — |
| Initial value | 0 | 1 | 1 | 1 | 1 | 1 | 1 | 1 |
| Read/Write | R | — | — | — | — | — | — | — |

Reserved bits

Flash memory error
Status flag indicating that an error was detected during programming or erasing

Bit 7—Flash Memory Error (FLER): Indicates that an error occurred while flash memory was being programmed or erased. When bit 7 is set, flash memory is placed in an error-protect mode.

Bit 7

| FLER | Description |
|------|---|
| 0 | Flash memory program/erase protection (error protection* ¹) is disabled (Initial value) [Clearing condition] WDT reset, reset by $\overline{\text{RES}}$ pin, or hardware standby mode |
| 1 | An error has occurred during flash memory programming/erasing Flash memory program/erase protection (error protection* ¹) is enabled [Setting conditions] <ol style="list-style-type: none"> Flash memory was read*² while being programmed or erased (including vector or instruction fetch, but not including reading of a RAM area overlapped onto flash memory). A hardware exception-handling sequence (other than a reset, invalid instruction, trap instruction, or zero-divide exception) was executed just before programming or erasing.*³ The SLEEP instruction (including software standby mode) was executed during programming or erasing. |

Notes: 1. For details, see section 15.6.3, Error Protection.

2. The read data has undetermined values.

3. Before stack and vector read by exception handling.

Bits 6 to 0—Reserved: These bits cannot be modified and are always read as 1.

15.4 On-Board Programming Modes

When pins are set to on-board programming mode, program/erase/verify operations can be performed on the on-chip flash memory. There are two on-board programming modes: boot mode and user program mode. The pin settings for transition to each of these modes are shown in table 15.6. In mode 6 (on-chip ROM enabled) in this LSI, the boot mode and user program mode cannot be used. For the notes on FWE pin set/reset, see section 15.9, Notes on Flash Memory Programming/Erasing.

Table 15.6 Setting On-Board Programming Modes

| Mode | | FWE | MD ₂ | MD ₁ | MD ₀ | Notes |
|-------------------|--------|-----------------|-----------------|-----------------|-----------------|--------------------|
| Boot mode | mode 5 | 1* ¹ | 0* ² | 0 | 1 | 0: V _{IL} |
| | mode 7 | | 0* ² | 1 | 1 | 1: V _{IH} |
| User program mode | mode 5 | | 1 | 0 | 1 | |
| | mode 7 | | 1 | 1 | 1 | |

Notes: 1. For the High level input timing, see items (6) and (7) of Notes on Using the Boot Mode.

2. In the boot mode, the MD₂ setting becomes inverted input.

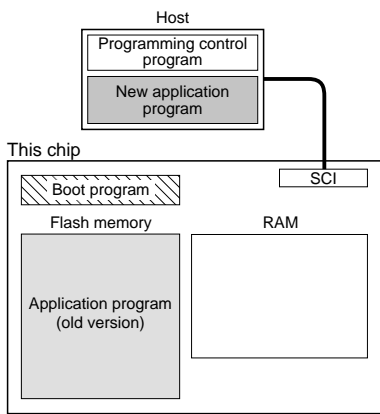
In the boot mode, the mode control register (MDCR) can be used to monitor the status of modes 5 and 7 in the same way as in the normal mode.

On-Board Programming Modes

• Boot mode

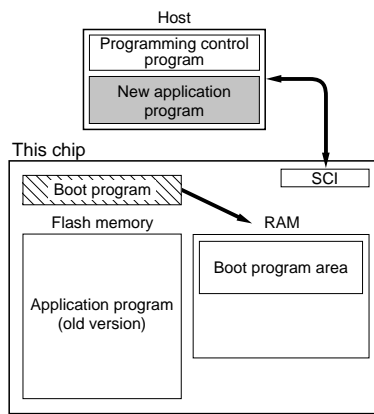
1. Initial state

The flash memory is in the erased state when the device is shipped. The description here applies to the case where the old program version or data is being rewritten. The user should prepare the programming control program and new application program beforehand in the host.



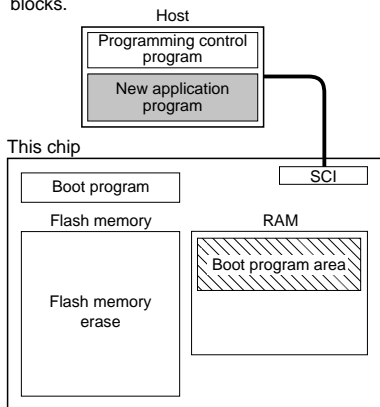
2. Programming control program transfer

When boot mode is entered, the boot program in this chip (originally incorporated in the chip) is started, an SCI communication check is carried out, and the boot program required for flash memory erasing is automatically transferred to the RAM boot program area.



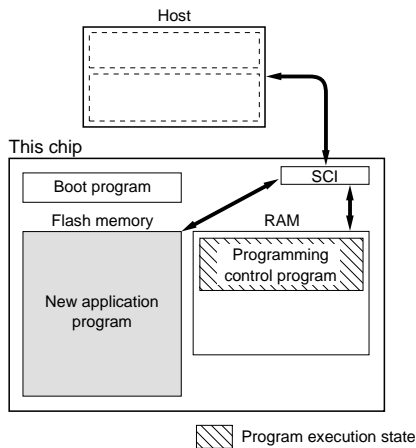
3. Flash memory initialization

The erase program in the boot program area (in RAM) is executed, and the flash memory is initialized (to H'FF). In boot mode, entire flash memory erasure is performed, without regard to blocks.



4. Writing new application program

The programming control program transferred from the host to RAM by SCI communication is executed, and the new application program in the host is written into the flash memory.




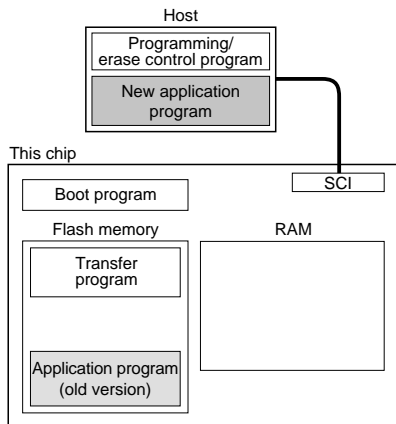
 Program execution state

Figure 15.3 Boot Mode

- User program mode

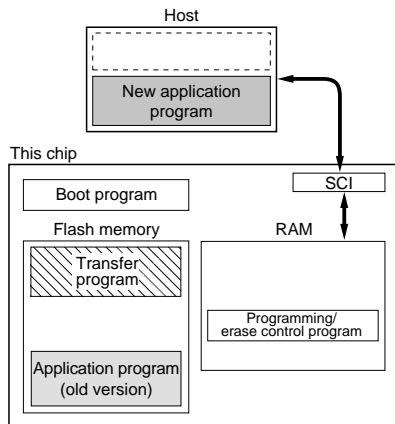
1. Initial state

(1) The program that will transfer the programming/ erase control program to on-chip RAM should be written into the flash memory by the user beforehand. (2) The programming/erase control program should be prepared in the host or in the flash memory.



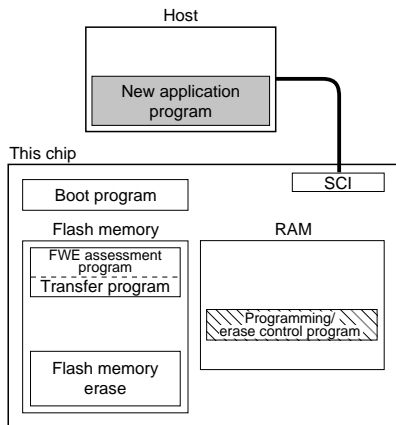
2. Programming/erase control program transfer

When the FWE pin is driven high, user software confirms this fact, executes the transfer program in the flash memory, and transfers the programming/erase control program to RAM.



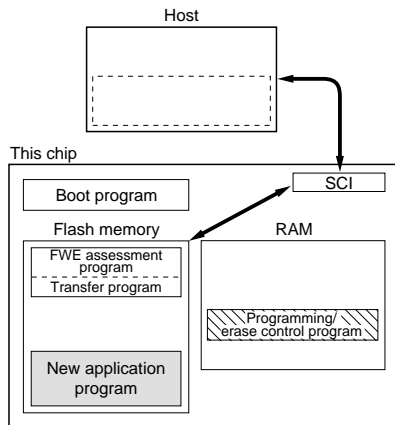
3. Flash memory initialization

The programming/erase program in RAM is executed, and the flash memory is initialized (to H'FF). Erasing can be performed in block units, but not in byte units.



4. Writing new application program

Next, the new application program in the host is written into the erased flash memory blocks. Do not write to unerased blocks.



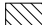
 Program execution state

Figure 15.4 User Program Mode (Example)

15.4.1 Boot Mode

When boot mode is used, the flash memory programming control program must be prepared in the host beforehand. The channel 1 SCI to be used is set to asynchronous mode.

In reset start, after setting this LSI pin to the boot mode, start the microcomputer boot program, measure the Low period of the data sent from the host, and select the bit rate register (BRR) value beforehand. Then enable reception of the user program from the outside using the serial communication interface (SCI) on this LSI, and write the received user program to on-chip RAM.

After the program has been stored the end of writing, execution branches to the top address (H'FF300) of the on-chip RAM, execute the program written on the on-chip RAM, and enable flash memory program/erase.

The system configuration in boot mode is shown in figure 15.5, and the boot program mode execution procedure in figure 15.6.

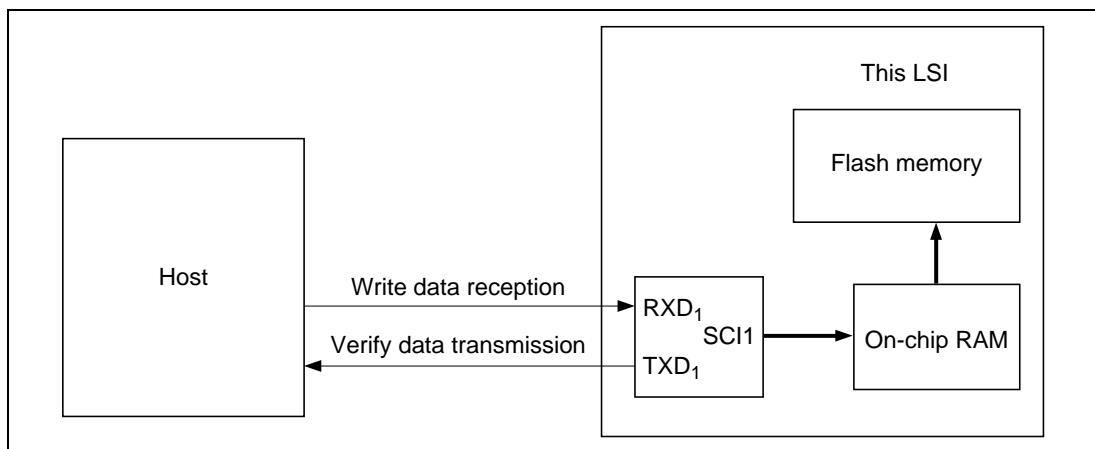


Figure 15.5 System Configuration in Boot Mode

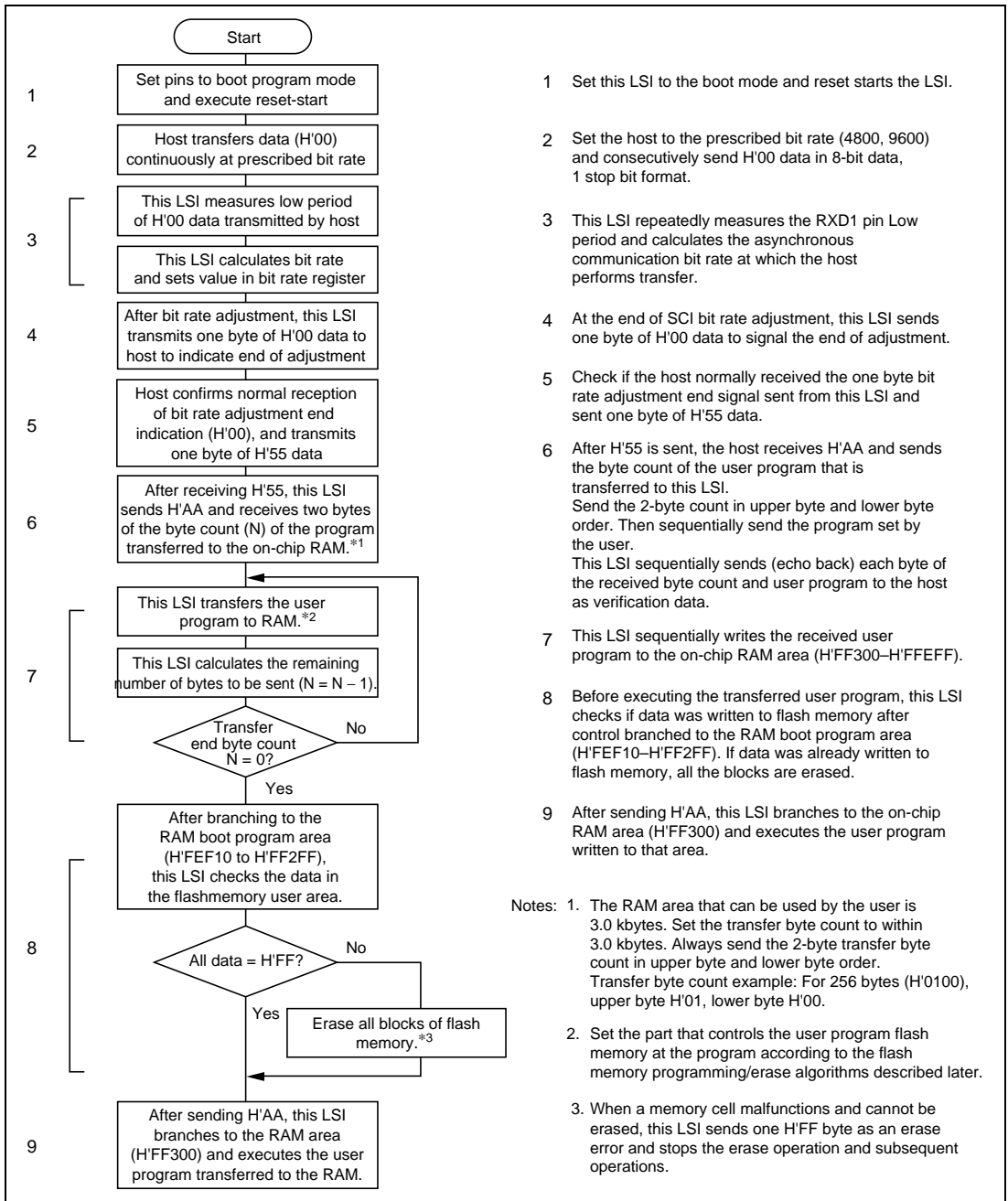


Figure 15.6 Boot Mode Execution Procedure

Automatic SCI Bit Rate Adjustment

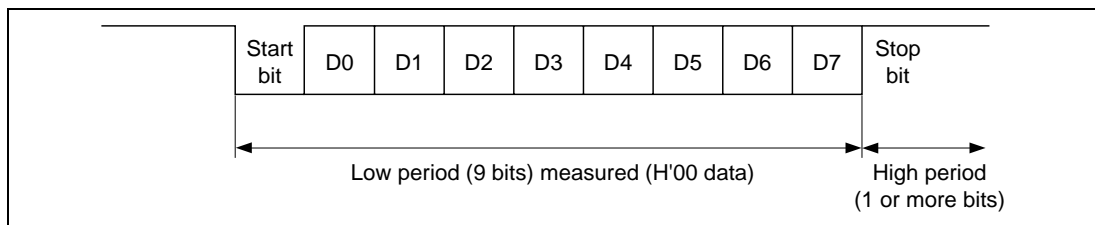


Figure 15.7 Measuring the Low Period of the Communication Data from the Host

When boot mode is initiated, this LSI measures the low period of the asynchronous SCI communication data (H'00) transmitted continuously from the host (figure 15.7). The SCI transmit/receive format should be set as follows: 8-bit data, 1 stop bit, no parity. This LSI calculates the bit rate of the transmission from the host from the measured low period, and transmits one H'00 byte to the host to indicate the end of bit rate adjustment. The host should confirm that this adjustment end indication (H'00) has been received normally, and transmit one H'55 byte to the LSI. If reception cannot be performed normally, initiate boot mode again (reset), and repeat the above operations. Depending on the host's transmission bit rate and the system clock frequency of this LSI, there will be a discrepancy between the bit rates of the host and the LSI. To ensure correct SCI operation, the host's transfer bit rate should be set to 4800 and 9600 bps*¹.

Table 15.7 shows typical host transfer bit rates and system clock frequencies for which automatic adjustment of this LSI bit rate is possible. The boot program should be executed within this system clock range*².

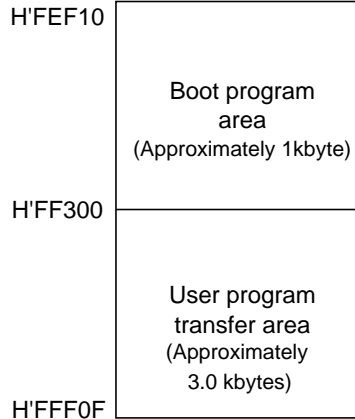
Table 15.7 System Clock Frequencies for which Automatic Adjustment of This LSI Bit Rate Is Possible

| Host Bit Rate (bps) | System Clock Frequency for which Automatic Adjustment of This LSI Bit Rate Is Possible (MHz) |
|---------------------|--|
| 9600 | 8 to 18 |
| 4800 | 4 to 18 |

- Notes: 1. The host bit rate settings are 4800 and 9600bps only. Do not use any other setting.
2. This LSI may automatically adjust the bit rate except for bit rate and system clock combinations as shown in table 15.7. However, the bit rate of the host and this LSI will be different and subsequent transfers will not be carried out normally. Therefore, always execute the boot mode within the range of the bit rate and system clock combinations shown in table 15.7.

On-Chip RAM Area Divisions in Boot Mode

In boot mode, the RAM area is divided into an area used by the boot program and an area to which the user program is transferred via the SCI, as shown in figure 15.8. The boot program area can be used when a transition is made to the execution state for the user program transferred to RAM.



- Notes:
1. The boot program area cannot be used until a transition is made to the execution state for the user program transferred to RAM. Note also that the boot program remains in this RAM area even after control branches to the user program.
 2. When flash memory emulation is performed using RAM, part of the user program transfer area (H'FF800 to H'FFBFF) is used as an area for carrying out emulation, and therefore user program transfer must not be performed to this area.

Figure 15.8 RAM Areas in Boot Mode

Notes on using the boot mode

- (1) When this LSI comes out of reset in boot mode, it measures the low period the input at the SCI's RXD₁ pin. The reset should end with RXD₁ high. After the reset ends, it takes about 100 states for this LSI to get ready to measure the low period of the RXD₁ input.
- (2) If any data has been written to the flash memory (if all data is not H'FF), all flash memory blocks are erased when this mode is executed. Therefore, boot mode should be used for initial on-board programming, or for forced recovery if the program to be activated in user program mode is accidentally erased and user program mode cannot be executed, for example.
- (3) Interrupts cannot be used during programming or erasing of flash memory.

- (4) The RXD₁ and TXD₁ pins should be pulled up on the board.
- (5) This LSI terminates transmit and receive operations by the on-chip SCI(channel 1) (by clearing the RE and TE bits in serial control register (SCR)) before branching to the user program. However, the adjusted bit rate is held in the bit rate register (BRR). At this time, the TXD₁ pin is in the high level output state (P9DDR P9₁DDR=1, P9DR P9₁DR=1).

Before branching to the user program the value of the general registers in the CPU are also undefined. Therefore, the general registers must be initialized immediately after control branches to the user program. Since the stack pointer (SP) is implicitly used during subroutine call, etc., a stack area must be specified for use by the user program.

There are no other internal I/O registers in which the initial value is changed.

- (6) Transition to the boot mode executes a reset-start of this LSI after setting the MD₀ to MD₂ and FWE pins according to the mode setting conditions shown in table 15.6.

At this time, this LSI latches the status of the mode pin inside the microcomputer to maintain the boot mode status at the reset clear (startup with Low → High) timing*¹.

To clear boot mode, it is necessary to drive the FWE pin low during the reset, and then execute reset release*¹. The following points must be noted:

- (a) Before making a transition from the boot mode to the regular mode, the microcomputer boot mode must be reset by reset input via the $\overline{\text{RES}}$ pin. At this time, the $\overline{\text{RES}}$ pin must be hold at low level for at least 20 system clock.*³
 - (b) Do not change the input levels at the mode pins (MD₂ to MD₀) or the FWE pin while in boot mode. When making a mode transition, first enter the reset state by inputting a low level to the $\overline{\text{RES}}$ pin. When a watchdog timer reset was generated in the boot mode, the microcomputer mode is not reset and the on-chip boot program is restarted regardless of the state of the mode pin.
 - (c) Do not input low level to the FWE pin while the boot program is executing and when programming/erasing flash memory.*²
- (7) If the mode pin and FWE pin input levels are changed from 0 V to V_{CC} or from V_{CC} to 0V during a reset (while a low level is being input to the $\overline{\text{RES}}$ pin), the microcomputer's operating mode will change.

Therefore, since the state of the address dual port and bus control output signals ($\overline{\text{AS}}$, $\overline{\text{RD}}$, $\overline{\text{WR}}$) changes, use of these pins as output signals during reset must be disabled outside the microcomputer.

- Notes: 1. The mode pin and FWE pin input must satisfy the mode programming setup time (t_{MDS}) relative to the reset clear timing.
2. For notes on FWE pin High/Low, see section 15.9, Notes on Flash Memory Programming/Erasing.

3. See section 4.2.2, Reset Sequence and 15.9, Notes on Flash Memory Programming/Erasing. With the mask ROM version of the H8/3039, H8/3038, H8/3037, and H8/3036, the minimum reset period during operation is 10 system clocks. However, the flash memory versions of the H8/3039 requires a minimum of 20 system clocks.

15.4.2 User Program Mode

When set to the user program mode, this LSI can erase and program its flash memory by executing a user program. Therefore, on-chip flash memory on-board programming can be performed by providing a means of controlling FWE and supplying the write data on the board and providing a write program in a part of the program area.

To select this mode, set the LSI to on-chip ROM enable modes 5 and 7 and apply a high level to the FWE pin. In this mode, the peripheral functions, other than flash memory, are performed the same as in modes 5 and 7.

Since the flash memory cannot be read while it is being programmed/erased, place a programming program on external memory, or transfer the programming program to RAM area, and execute it in the RAM. In mode 6, do not program/erase the flash memory. When setting mode 6, always input low level to the FWE pin.

Figure 15.9 shows the procedure for executing when transferred to on-chip RAM. During reset start, starting from the user program mode is possible.

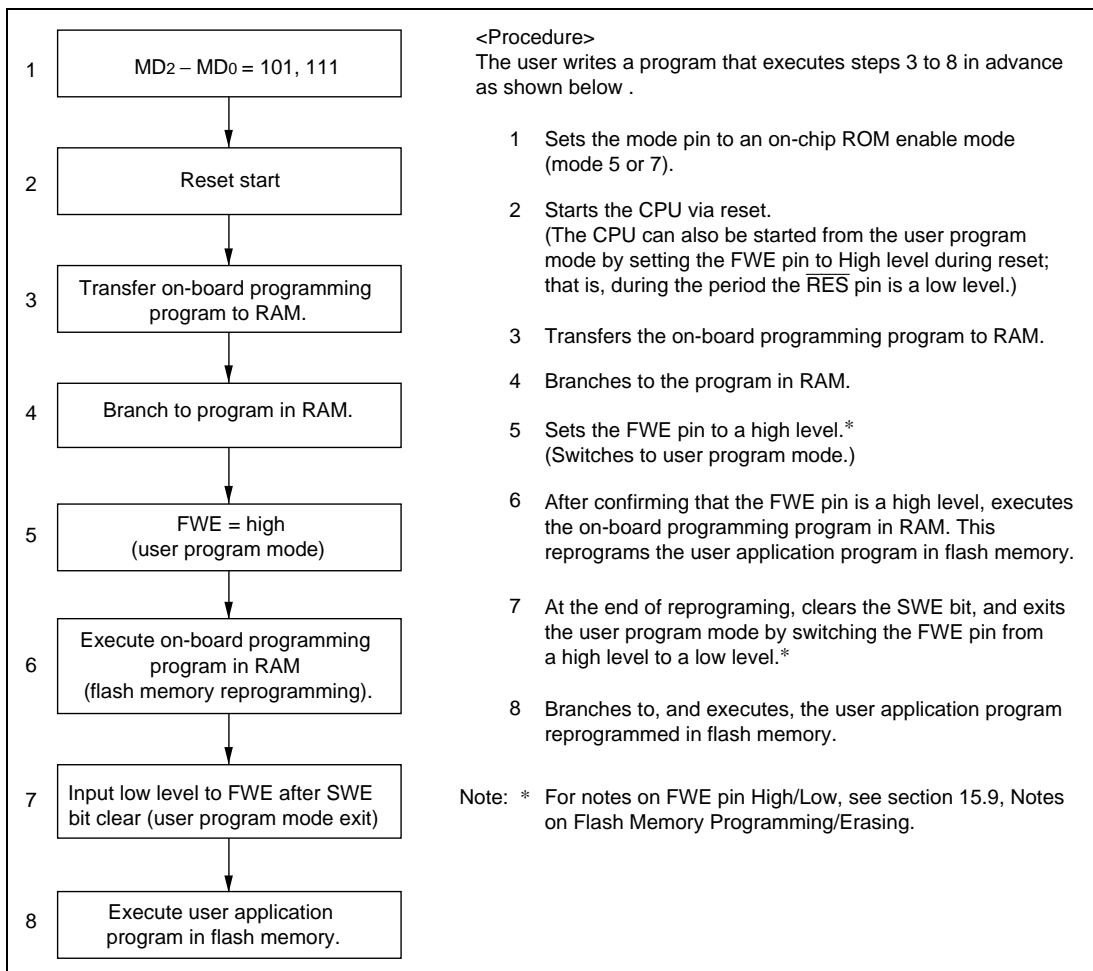


Figure 15.9 User Program Mode Execution Procedure (Example)

Note: Normally do not apply a high level to the FWE pin. To prevent erroneous programming or erasing in the event of program runaway, etc., apply a high level to the FWE pin only when programming/erasing flash memory (including flash memory emulation by RAM). If program runaway, etc. causes overprogramming or overerasing of flash memory, the memory cells will not operate normally.

Also, while a high level is applied to the FWE pin, the watchdog timer should be activated to prevent overprogramming or overerasing due to program runaway, etc.

In mode 6, do not reprogram flash memory. When setting mode 6, always set the FWE pin to a low level.

15.5 Programming/Erasing Flash Memory

A software method, using the CPU, is employed to program and erase flash memory in the on-board programming modes. There are four flash memory operating modes: program mode, erase mode, program-verify mode, and erase-verify mode. Transitions to these modes can be made by setting the PSU, ESU, P, E, PV, and EV bits in FLMCR.

For a description of state transition by FLMCR bit setting, see figure 15.10.

The flash memory cannot be read while being programmed or erased. Therefore, the program that controls flash memory programming/erasing (the programming control program) should be located and executed in on-chip RAM or external memory.

For the programming/erasing notes, see section 15.9, Notes on Flash Memory Programming/Erasing. For the wait time after each bit in FLMCR is set or cleared, see section 18.2.5, Flash Memory Characteristics.

- Notes:
1. Operation is not guaranteed if setting/resetting of the SWE, ESU, PSU, EV, PV, E, and P bits in FLMCR is executed by a program in flash memory.
 2. When programming or erasing, set the FWE pin input level to the high level, and set FWE to 1. (programming/erasing will not be executed if FWE = 0).

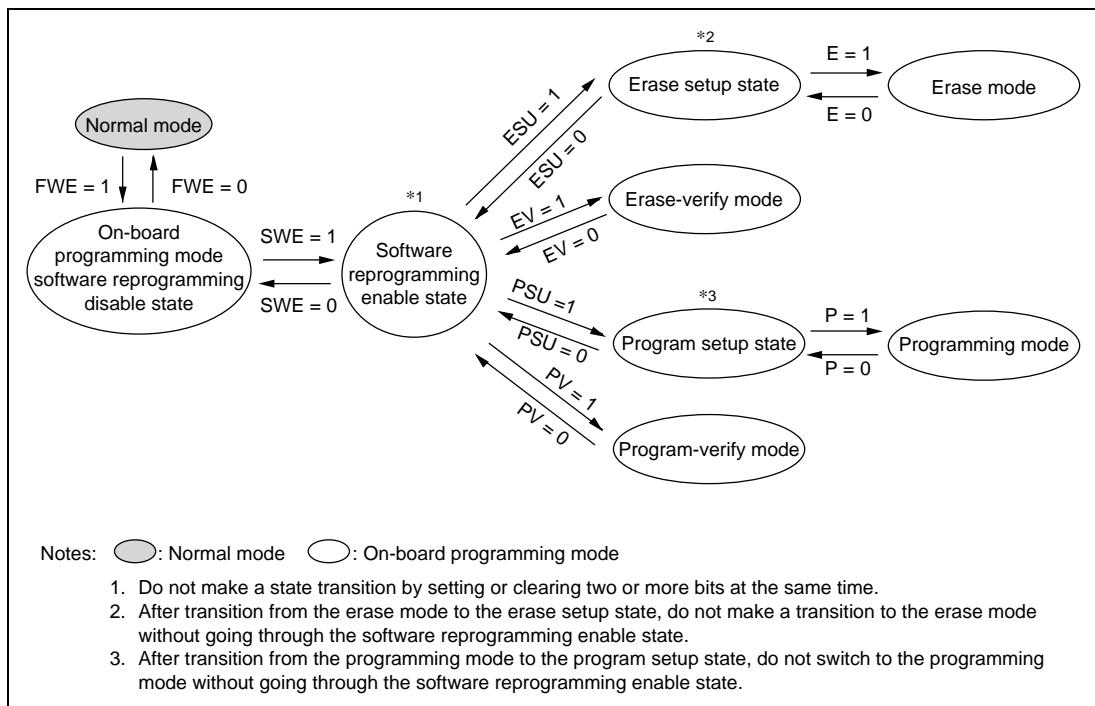


Figure 15.10 State Transition by Setting of Each Bit of FLMCR

15.5.1 Program Mode

Follow the procedure shown in the program/program-verify flowchart in figure 15.11 to write data or programs to flash memory. Performing program operations according to this flowchart will enable data or programs to be written to flash memory without subjecting the device to voltage stress or sacrificing program data reliability. Programming should be carried out 32 bytes at a time.

For the wait time (x , y , z , α , β , γ , ϵ , η) after setting or clearing each bit in the flash memory control register (FLMCR) and the maximum programming count (N), see table 18.15.

Following the elapse of (x) μ s or more after the SWE bit is set to 1 in flash memory control register (FLMCR), 32-byte program data is stored in the program data area and reprogram data area, and the 32-byte data in the reprogram data area written consecutively to the write addresses. (The lower 8 bits of the first address written to must be H'00, H'20, H'40, H'60, H'80, H'A0, H'C0, or H'E0.) 32 consecutive byte data transfers are performed. The program address and program data are latched in the flash memory. A 32-byte data transfer must be performed even if writing fewer than 32 bytes; in this case, H'FF data must be written to the extra addresses.

Next, the watchdog timer (WDT) is set to prevent overprogramming due to program runaway, etc. Set a value greater than $(y + z + \alpha + \beta)$ μs as the WDT overflow period. Preparation for entering program mode (program setup) is performed next by setting the PSU bit in FLMCR. The operating mode is then switched to program mode by setting the P bit in FLMCR after the elapse of at least (y) μs .

The time while the P bit is set is the flash memory programming time. Make a program setting so that the time for one programming operation is within the range of (z) μs .

The wait time after P bit setting must be changed according to the number of reprogramming loops. For details, see section 18.2.5, Flash Memory Characteristics.

15.5.2 Program-Verify Mode

In program-verify mode, the data written in program mode is read to check whether it has been correctly written in the flash memory.

Clear the P bit in FLMCR, then wait for at least (α) μs before clearing the PSU bit to exit program mode. After exiting program mode, the watchdog timer setting is also cleared. Then the operating mode is switched to program-verify mode by setting the PV bit in FLMCR. Before reading in program-verify mode, a dummy write of H'FF data should be made to the addresses to be read. The dummy write should be executed after the elapse of (γ) μs or more. When the flash memory is read in this state (verify data is read in 16-bit units), the data at the latched address is read. Wait at least (ϵ) μs after the dummy write before performing this read operation. Next, the originally written data is compared with the verify data, and reprogram data is computed (see figure 15.11) and transferred to RAM. After verification of 32 bytes of data has been completed, exit program-verify mode, wait for at least (η) μs , then determine whether 32-byte programming has finished. If reprogramming is necessary, set program mode again, and repeat the program/program-verify sequence as before. However, ensure that the program/program-verify sequence is not repeated more than (N) times on the same bits.

Note: A 32-byte area to store program data and a 32-byte area to store reprogram data are required in RAM.

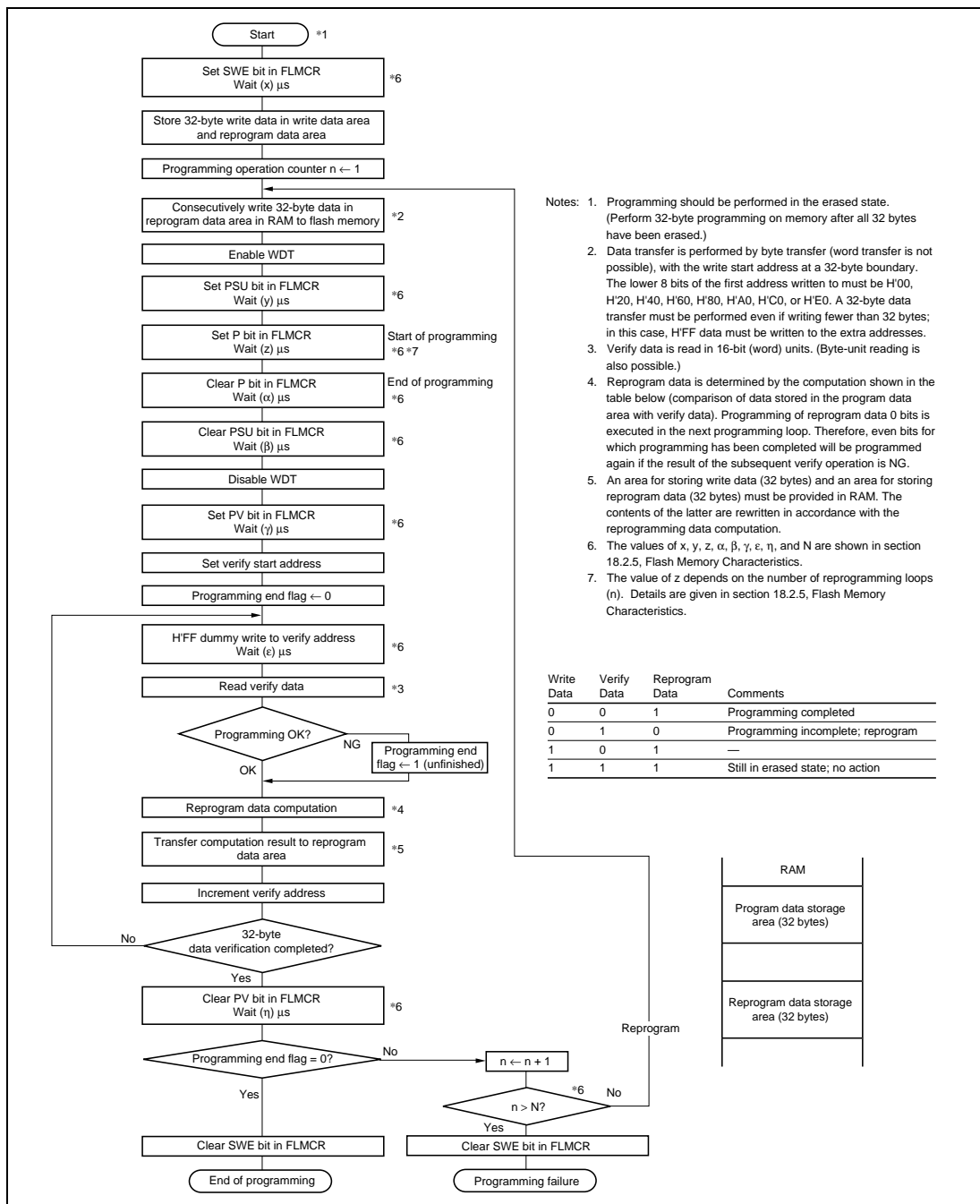


Figure 15.11 Program/Program-Verify Flowchart

15.5.3 Erase Mode

Flash memory erasing should be performed block by block following the procedure shown in the erase/erase-verify flowchart (single-block erase) shown in figure 15.12.

For the wait time (x , y , z , α , β , γ , ϵ , η) after setting or clearing of each bit in the flash memory control register (FLMCR) and the maximum erase count (N), see table 18.15.

To erase the contents of flash memory, make a 1 bit setting for the flash memory area to be erased in erase block register (EBR) at least (x) μ s after setting the SWE bit to 1 in FLMCR. Next, the watchdog timer (WDT) is set to prevent overerasing due to program runaway, etc. Set a value greater than (z) ms + (y + α + β) μ s as the WDT overflow period. Preparation for entering erase mode (erase setup) is performed next by setting the ESU bit in FLMCR. The operating mode is then switched to erase mode by setting the E bit in FLMCR after the elapse of at least (y) μ s.

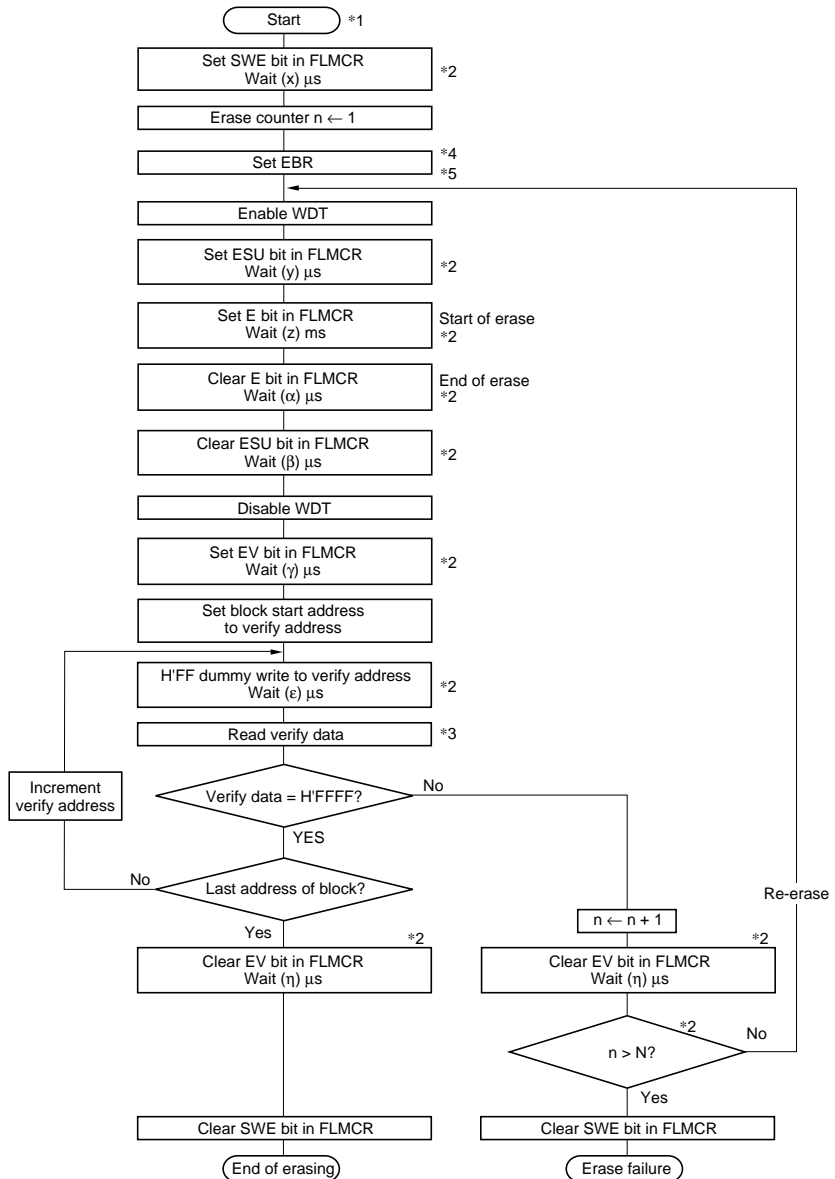
The time during which the E bit is set is the flash memory erase time. Ensure that the erase time does not exceed (z) ms.

Note: With flash memory erasing, preprogramming (setting all data in the memory to be erased to "0") is not necessary before starting the erase procedure.

15.5.4 Erase-Verify Mode

In erase-verify mode, data is read after memory has been erased to check whether it has been correctly erased.

After the elapse of the fixed erase time, clear the E bit in FLMCR, then wait for at least (α) μ s before clearing the ESU bit to exit erase mode. After exiting erase mode, the watchdog timer setting is also cleared. The operating mode is then switched to erase-verify mode by setting the EV bit in FLMCR. Before reading in erase-verify mode, a dummy write of H'FF data should be made to the addresses to be read. The dummy write should be executed after the elapse of (γ) μ s or more. When the flash memory is read in this state (verify data is read in 16-bit units), the data at the latched address is read. Wait at least (ϵ) μ s after the dummy write before performing this read operation. If the read data has been erased (all "1"), a dummy write is performed to the next address, and erase-verify is performed. If the read data is unerased, set erase mode again, and repeat the erase/erase-verify sequence as before. However, do not repeat the erase/erase-verify sequence more than (N) times.



- Notes:
1. Preprogramming (setting erase block data to all 0s) is not necessary.
 2. The values of x , y , z , α , β , γ , ϵ , η , and N are shown in section 18.2.5, Flash Memory Characteristics.
 3. Verify data is read in 16-bit (word) units. (Byte-unit reading is also possible.)
 4. Set only one bit in EBR two or more bits must not be set simultaneously.
 5. Erasing is performed in block units. To erase multiple blocks, each block must be erased in turn.

Figure 15.12 Erase/Erase-Verify Flowchart (Single-Block Erasing)

15.6 Flash Memory Protection

There are three kinds of flash memory program/erase protection: hardware protection, software protection, and error protection.

15.6.1 Hardware Protection

Hardware protection refers to a state in which programming/erasing of flash memory is forcibly disabled or aborted. Hardware protection is reset by settings in the flash memory control register (FLMCR) and erase block register (EBR). In the case of error protection, the P bit and E bit can be set, but a transition is not made to program mode or erase mode. (See table 15.8.)

Table 15.8 Hardware Protection

| Item | Description | Function | | |
|--------------------------|--|------------------|------------------|----------------------|
| | | Program | Erase | Verify* ¹ |
| FWE pin protection | <ul style="list-style-type: none"> When a low level is input to the FWE pin, FLMCR and EBR are initialized, and the program/erase-protected state is entered.*⁴ | No* ² | No* ³ | No |
| Reset/standby protection | <ul style="list-style-type: none"> In a reset (including a WDT overflow reset) and in standby mode, FLMCR and EBR are initialized, and the program/erase-protected state is entered. In a reset via the $\overline{\text{RES}}$ pin, the reset state is not entered unless the $\overline{\text{RES}}$ pin is held low until oscillation stabilizes after powering on (The minimum oscillation stabilization time is 20ms). In the case of a reset during operation, hold the $\overline{\text{RES}}$ pin low for at least 20 system clock cycles.*⁵ | No | No* ³ | No |
| Error protection | <ul style="list-style-type: none"> When a microcomputer operation error (error generation (FLER=1)) was detected while flash memory was being programmed/erased, error protection is enabled. At this time, the FLMCR and EBR settings are held, but programming/erasing is aborted at the time the error was generated. Error protection is released only by a reset via the $\overline{\text{RES}}$ pin or a WDT reset, or in the hardware standby mode. | No | No* ³ | Yes |

Notes: 1. Two modes: program-verify and erase-verify.
 2. The RAM area that overlapped flash memory is deleted.
 3. All blocks become unerasable and specification by block is impossible.
 4. For more information, see section 15.9, Notes on Flash Memory Programming/Erasing.
 5. See sections 4.2.2, Reset Sequence and 15.9, Notes on Flash Memory Programming/Erasing. This LSI requires a minimum reset time during operation of 20 system clocks.

15.6.2 Software Protection

Software protection can be implemented by setting the RAMS bit in RAM control register (RAMCR) and erase block register (EBR). When software protection is in effect, setting the P or E bit in flash memory control register (FLMCR) does not cause a transition to program mode or erase mode. (See table 15.9.)

Table 15.9 Software Protection

| Item | Description | Function | | |
|------------------------------------|---|------------------|------------------|----------------------|
| | | Program | Erase | Verify* ¹ |
| Emulation protection* ² | Setting the RAMS bit in RAMCR sets the program/erase-protected state for all blocks. | No* ² | No* ³ | Yes |
| Block specification protection | Erase protection can be set for individual blocks by settings in erase block register (EBR).* ⁴ However, program protection is disabled. Setting EBR to H'00 places all blocks in the erase-protected state. | — | No | Yes |

- Notes:
1. Two modes: program-verify mode and erase-verify mode.
 2. Programming to the RAM area that overlaps flash memory is possible.
 3. All blocks become unerasable, and specification by block is impossible.
 4. Set H'00 in the EBR bits, except for erase.

15.6.3 Error Protection

In error protection, an error is detected when this LSI runaway occurs during flash memory programming/erasing*¹, or operation is not performed in accordance with the program/erase algorithm, and the program/erase operation is aborted. Aborting the program/erase operation prevents damage to the flash memory due to overprogramming or overerasing.

If the LSI malfunctions during flash memory programming/erasing, the FLER bit*² is set to 1 in flash memory status register (FLMSR) and the error protection state is entered. The FLMCR and EBR settings*³ are retained, but program mode or erase mode is aborted at the point at which the error occurred. When 1 is set in the FLER bit, transition to the program mode or erase mode cannot be made even by setting the P and E bits in FLMCR. However, PV and EV bit in FLMCR setting is enabled, and a transition can be made to verify mode.

Error protection is released only by a reset via the $\overline{\text{RES}}$ pin or a WDT reset, or in the hardware standby mode.

Figure 15.13 shows the flash memory state transition diagram.

- Notes:
1. This is the state in which the P or E bit in FLMCR is set to 1. In this state, NMI input is disabled. For more information, see section 15.6.4, NMI Input Disable Conditions.
 2. For a detailed description of the FLER bits setting conditions, see section 15.3.4, Flash Memory Status Register (FLMSR).
 3. Data can be written to FLMCR and EBR. However, when transition to the software standby mode was made in the error protection state, the registers are initialized.

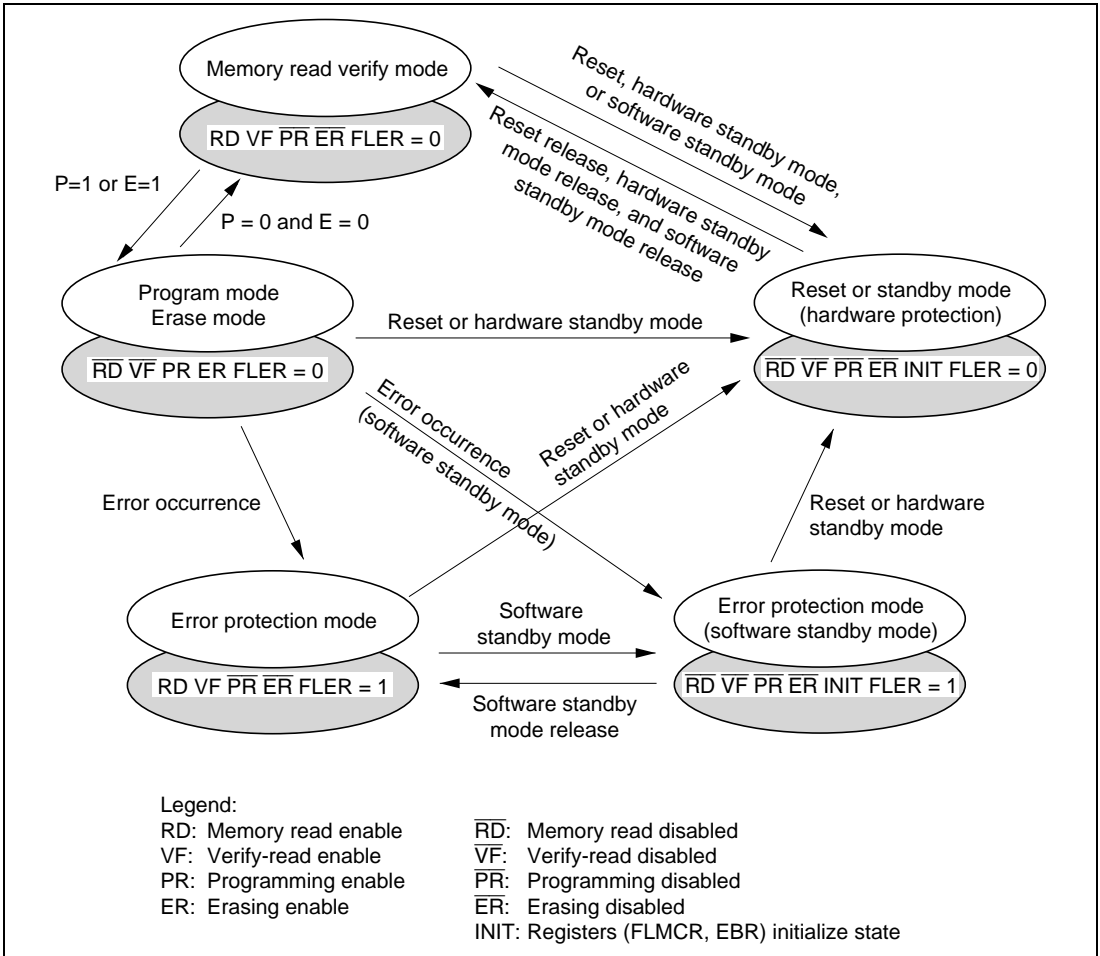


Figure 15.13 Flash Memory State Transitions
(When High Level Apply to FWE Pin in Modes 5 and 7 (On-Chip ROM Enabled))

The error protection function is disabled for errors other than the FLER bit set conditions. If considerable time elapses up to transit to this protection state, the flash memory may already be damaged. As a result, this function cannot completely protect the flash memory against damage.

Therefore, to prevent such erroneous operation, operation must be carried out correctly in according with the program/erase algorithms in the state that flash write enable (FWE) is set. In addition, the operation must be always carried out correctly by supervising microcomputer errors inside and outside the chip with the watchdog timer, etc. At transition to this protection mode, the flash memory may be erroneously programmed or erased, or its abort may result in incomplete

programming and erasing. In such cases, always forcibly return (reprogram) by boot mode. However, overprogramming and overerasing may prevent the boot mode from starting normally.

15.6.4 NMI Input Disable Conditions

While flash memory is being programmed/erased and the boot program is executing in the boot mode (however, period up to branching to on-chip RAM area)*¹, NMI input is disabled because the programming/erasing operations have priority.

This is done to avoid the following operation states:

1. Generation of an NMI input during programming/erasing violates the program/erase algorithms and normal operation can not longer be assured.
2. Vector-read cannot be carried out normally*² during NMI exception handling during programming/erasing and the microcomputer runs away as a result.
3. If an NMI input is generated during boot program execution, the normal boot mode sequence cannot be executed.

Therefore, this LSI has conditions that exceptionally disable NMI inputs only in the on-board programming mode. However, this does not assure normal programming/erasing and microcomputer operation.

Thus, in the FWE application state, all requests, including NMI, inside and outside the microcomputer, exception handling, and bus release must be restricted. NMI inputs are also disabled in the error protection state and the state that holds the P or E bit in FLMCR during flash memory emulation by RAM.

Notes: 1. Indicates the period up to branching to the on-chip RAM boot program area (H'FEF10 to H'FF2FF). (This branch occurs immediately after user program transfer was completed.)

Therefore, after branching to RAM area, NMI input is enabled in states other than the program/erase state. Thus, interrupt requests inside and outside the microcomputer must be disabled until initial writing by user program (writing of vector table and NMI processing program, etc.) is completed.

2. In this case, vector read is not performed normally for the following two reasons:
 - a. The correct value cannot be read even by reading the flash memory during programming/erasing. (Value is undefined.)
 - b. If a value has not yet been written to the NMI vector table, NMI exception handling will not be performed correctly.

15.7 Flash Memory Emulation by RAM

Erasing and programming the flash memory takes time, which can make it difficult to tune parameters and other data in real time. In this case, overlapping part (H'FF800 to H'FFBFF) of RAM onto a small block area of flash memory can be performed to emulate real-time reprogramming of flash memory. This RAM reassignment is performed using bits 3 to 1 in the RAM control register (RAMCR).

After the RAM area change, two areas can be accessed: the overlapped flash memory area and the original RAM area (H'FF800 to H'FFBFF). For a description of the RAMCR and RAM area setting procedure, see section 15.3.3, RAM Control Register (RAMCR).

Example of real-time emulation of flash memory

An example of RAM area H'FF800 to H'FFBFF overlapping EB2 (H'00800 to H'00BFF) flash memory area is shown below.

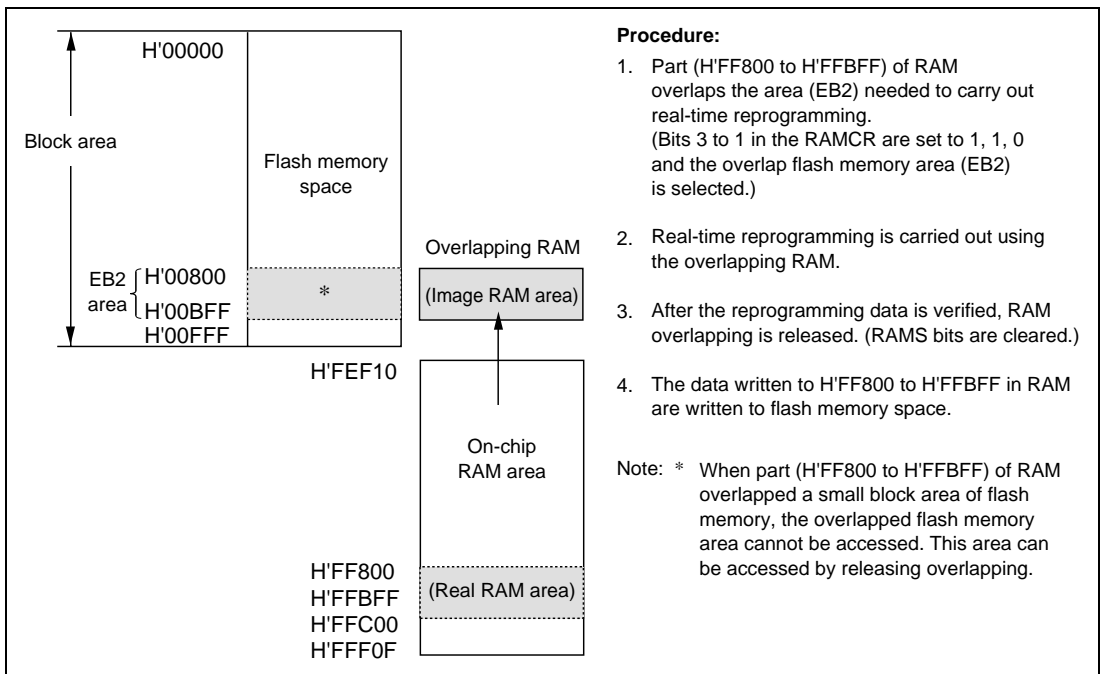


Figure 15.14 Example of RAM Overlapping Operation

Notes on use of the RAM emulation function

(1) Notes on flash write enable (FWE) high/low

Care is necessary to prevent erroneous programming/erasing at FWE = high/low, the same as in the on-board programming mode. To prevent erroneous programming and erasing due to program runaway, etc., during FWE application, in particular, the watchdog timer should be set when the P, or E bit is set to 1 in FLMCR, even while the emulation function is being used. For more information, see section 15.9, Notes on Flash Memory Programming/Erasing.

(2) NMI input disable conditions

When the P and E bits in FLMCR are set, NMI input is disabled, the same as normal program/erase even when using the emulation function.

NMI input is cleared when the P and E bits are reset (including watchdog timer reset), in the standby mode, when a high level is not applied to FWE, and when the SWE bit in FLMCR is 0 in state in which a high level is input to FWE.

15.8 Flash Memory PROM Mode

15.8.1 PROM Mode Setting

This LSI has a PROM mode, besides an on-board programming mode, as a flash memory program/erase mode. In the PROM mode, a program can be freely written to the on-chip ROM using a PROM programmer that supports the Renesas Technology 128 kbytes flash memory on-chip microcomputer device type.

For notes on PROM mode use, see sections 15.8.9, Notes on Memory Programming and 15.9, Notes on Flash Memory Programming/Erasing.

15.8.2 Memory Map

Figure 15.15 shows the PROM mode memory map.

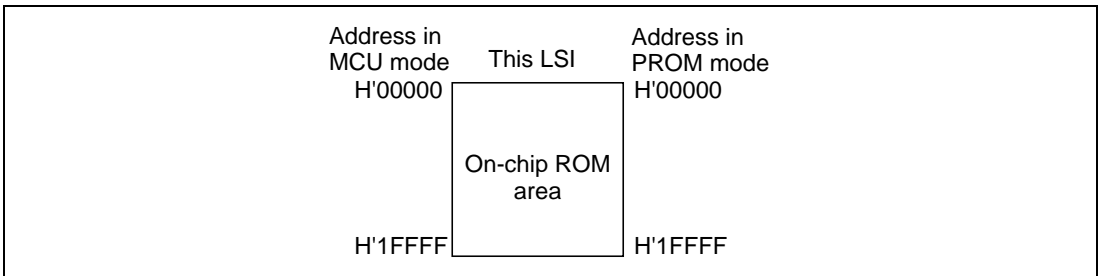


Figure 15.15 PROM Mode Memory Map

15.8.3 PROM Mode Operation

Table 15.10 shows how the different operating modes are set when using PROM mode, and table 15.11 lists the commands used in PROM mode. Details of each mode are given below.

- **Memory Read Mode**
Memory read mode supports byte reads.
- **Auto-Program Mode**
Auto-program mode supports programming of 128 bytes at a time. Status polling is used to confirm the end of auto-programming.
- **Auto-Erase Mode**
Auto-erase mode supports automatic erasing of the entire flash memory. Status polling is used to confirm the end of auto-erasing.
- **Status Read Mode**
Status polling is used for auto-programming and auto-erasing, and normal termination can be confirmed by reading the I/O 6 signal. In status read mode, error information is output if an error occurs.

Table 15.10 Settings for Each Operating Mode in PROM Mode

| Mode | Pin Names ^{*3} | | | | | |
|----------------------------|-------------------------|-----------------|-----------------|-----------------|----------------------------------|-----------------------------------|
| | FWE | \overline{CE} | \overline{OE} | \overline{WE} | D ₀ to D ₇ | A ₀ to A ₁₇ |
| Read | V _{cc} or 0 | L | L | H | Data output | Ain |
| Output disable | V _{cc} or 0 | L | H | H | Hi-Z | X |
| Command write | V _{cc} or 0 | L | H | L | Data input | Ain ^{*2} |
| Chip disable ^{*1} | V _{cc} or 0 | H | X | X | Hi-Z | X |

Legend:

L: Low level

H: High level

X: Undefined

Hi-Z: High impedance

Notes: For command writes when making a transition to auto-program or auto-erase mode, input V_{cc} (V) to FWE.

1. Chip disable is not a standby state; internally, it is an operation state.
2. Ain indicates that there is also address input in auto-program mode.
3. The pin names are those assigned in this LSI PROM mode.

Table 15.11 PROM Mode Commands

| Command Name | Number of Cycles | 1st Cycle | | | 2nd Cycle | | |
|-------------------|------------------|-----------|---------|------|-----------|---------|------|
| | | Mode | Address | Data | Mode | Address | Data |
| Memory read mode | 1 | Write | X | H'00 | Read | RA | Dout |
| Auto-program mode | 129 | Write | X | H'40 | Write | WA | Din |
| Auto-erase mode | 2 | Write | X | H'20 | Write | X | H'20 |
| Status read mode | 2 | Write | X | H'71 | Write | X | H'71 |

Legend:

RA: Read address

WA: Program address

Dout: Read data

Din: Program data

Note: In auto-program mode, 129 cycles are required for command writing by a simultaneous 128-byte write.

Table 15.12 DC Characteristics in Memory Read ModeConditions: $V_{CC} = 5.0 \text{ V} \pm 10\%$, $V_{SS} = 0 \text{ V}$, $T_a = 25^\circ\text{C} \pm 5^\circ\text{C}$

| Item | | Symbol | Min | Typ | Max | Unit | Test Conditions |
|-------------------------------|---|-----------------|-----|-----|----------------|---------------|-----------------------------|
| Input high voltage | $0_7-0_0, A_{16}-A_0$ | V_{IH} | 2.2 | — | $V_{CC} + 0.3$ | V | |
| Input low voltage | $0_7-0_0, A_{16}-A_0$ | V_{IL} | 0.3 | — | 0.8 | V | |
| Schmitt trigger input voltage | $\overline{OE}, \overline{CE}, \overline{WE}$ | V_T^- | 1.0 | — | 2.5 | V | |
| | | V_T^+ | 2.0 | — | 3.5 | V | |
| | | $V_T^+ - V_T^-$ | 0.4 | — | — | V | |
| Output high voltage | 0_7-0_0 | V_{OH} | 2.4 | — | — | V | $I_{OH} = -200 \mu\text{A}$ |
| Output low voltage | 0_7-0_0 | V_{OL} | — | — | 0.45 | V | $I_{OL} = 1.6 \text{ mA}$ |
| Input leakage current | $0_7-0_0, A_{16}-A_0$ | $ I_{II} $ | — | — | 2 | μA | |
| V_{CC} current | Reading | I_{CC} | — | 40 | 65 | mA | |
| | Programming | I_{CC} | — | 50 | 85 | mA | |
| | Erasing | I_{CC} | — | 50 | 85 | mA | |

Note: For the electrical characteristics of the flash memory version, see section 18.2.1, Absolute Maximum Ratings.

Exceeding the absolute maximum ratings may cause permanent damage to the chip.

15.8.4 Memory Read Mode

AC Characteristics

Table 15.13 AC Characteristics in Memory Read Mode Transition

Conditions: $V_{CC} = 5.0\text{ V} \pm 10\%$, $V_{SS} = 0\text{ V}$, $T_a = 25^\circ\text{C} \pm 5^\circ\text{C}$

| Item | Symbol | Min | Max | Unit | Notes |
|-----------------------------------|------------|-----|-----|---------------|-------|
| Command write cycle | t_{nxtc} | 20 | — | μs | |
| $\overline{\text{CE}}$ hold time | t_{ceh} | 0 | — | ns | |
| $\overline{\text{CE}}$ setup time | t_{ces} | 0 | — | ns | |
| Data hold time | t_{dh} | 50 | — | ns | |
| Data setup time | t_{ds} | 50 | — | ns | |
| Write pulse width | t_{wep} | 70 | — | ns | |
| $\overline{\text{WE}}$ rise time | t_r | — | 30 | ns | |
| $\overline{\text{WE}}$ fall time | t_f | — | 30 | ns | |

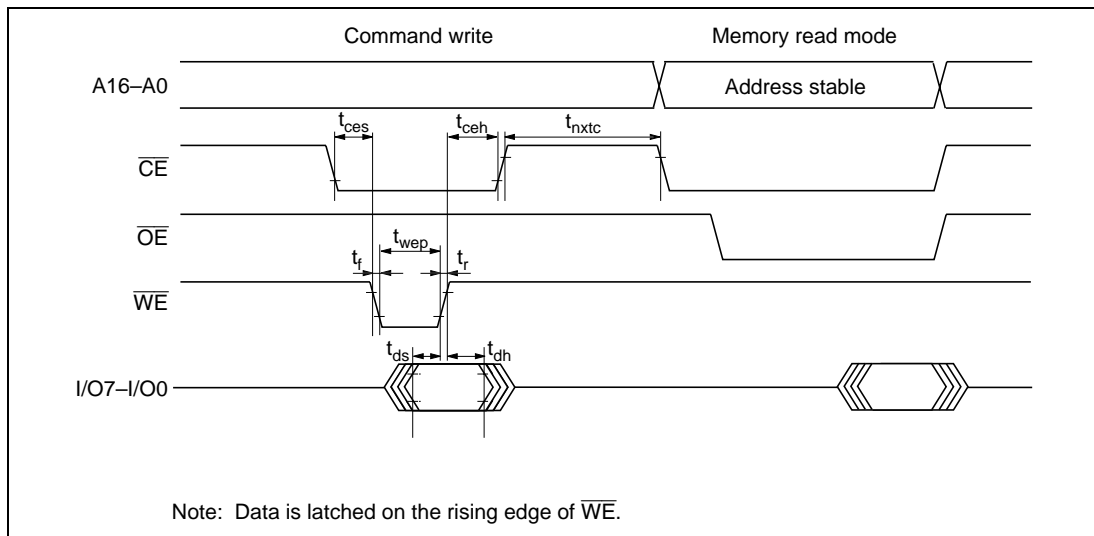


Figure 15.16 Timing Waveform in Memory Read Mode Transition

Table 15.14 AC Characteristics in Memory Contents ReadConditions: $V_{CC} = 5.0\text{ V} \pm 10\%$, $V_{SS} = 0\text{ V}$, $T_a = 25^\circ\text{C} \pm 5^\circ\text{C}$

| Item | Symbol | Min | Max | Unit | Notes |
|--|-----------|-----|-----|---------------|-------|
| Access time | t_{acc} | — | 20 | μs | |
| $\overline{\text{CE}}$ output delay time | t_{ce} | — | 150 | ns | |
| $\overline{\text{OE}}$ output delay time | t_{oe} | — | 150 | ns | |
| Output disable delay time | t_{df} | — | 100 | ns | |
| Data output hold time | t_{oh} | 5 | — | ns | |

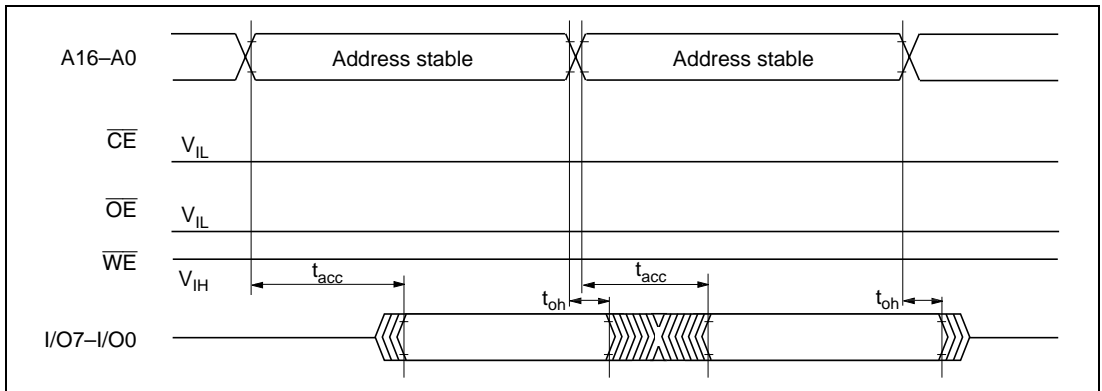
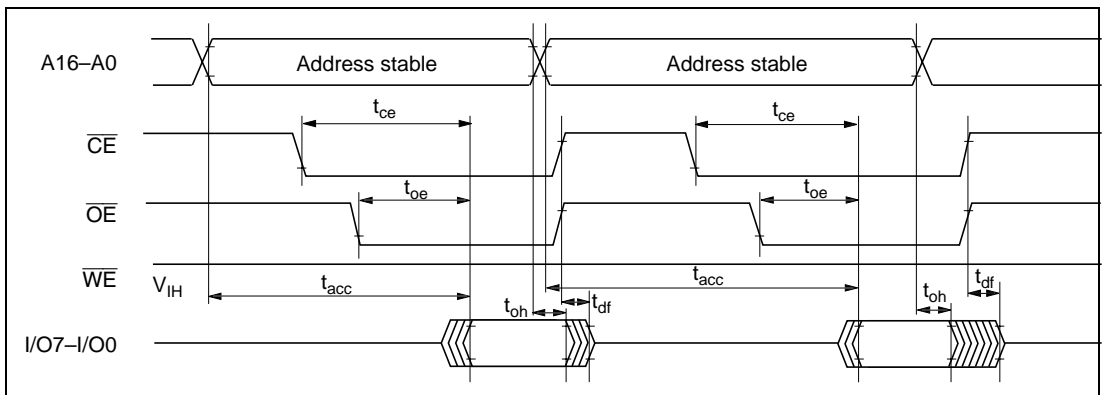
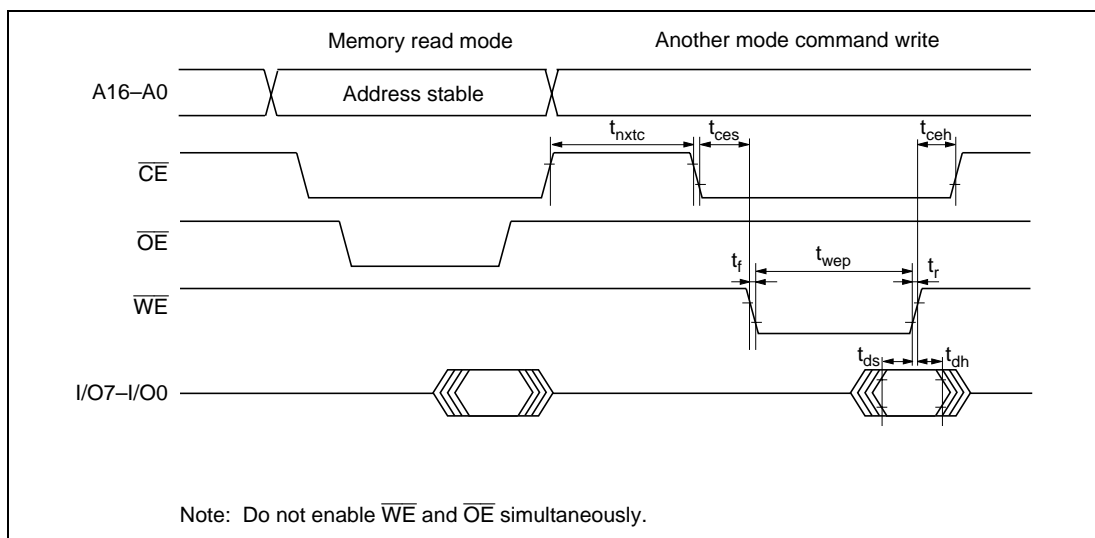
**Figure 15.17 $\overline{\text{CE}}/\overline{\text{OE}}$ Enable State Read****Figure 15.18 $\overline{\text{CE}}/\overline{\text{OE}}$ Clock Read**

Table 15.15 AC Characteristics in Transition from Memory Read Mode to Another Mode

Conditions: $V_{CC} = 5.0\text{ V} \pm 10\%$, $V_{SS} = 0\text{ V}$, $T_a = 25^\circ\text{C} \pm 5^\circ\text{C}$

| Item | Symbol | Min | Max | Unit | Notes |
|-----------------------------------|------------|-----|-----|---------------|-------|
| Command write cycle | t_{nxtc} | 20 | — | μs | |
| $\overline{\text{CE}}$ hold time | t_{ceh} | 0 | — | ns | |
| $\overline{\text{CE}}$ setup time | t_{ces} | 0 | — | ns | |
| Data hold time | t_{dh} | 50 | — | ns | |
| Data setup time | t_{ds} | 50 | — | ns | |
| Write pulse width | t_{wep} | 70 | — | ns | |
| $\overline{\text{WE}}$ rise time | t_r | — | 30 | ns | |
| $\overline{\text{WE}}$ fall time | t_f | — | 30 | ns | |

**Figure 15.19 Transition From Memory Read Mode to Another Mode**

15.8.5 Auto-Program Mode

AC Characteristics

Table 15.16 AC Characteristics in Auto-Program Mode

Conditions: $V_{CC} = 5.0 \text{ V} \pm 10\%$, $V_{SS} = 0 \text{ V}$, $T_a = 25^\circ\text{C} \pm 5^\circ\text{C}$

| Item | Symbol | Min | Max | Unit | Notes |
|-----------------------------------|-------------|-----|------|---------------|-------|
| Command write cycle | t_{nxtc} | 20 | — | μs | |
| $\overline{\text{CE}}$ hold time | t_{ceh} | 0 | — | ns | |
| $\overline{\text{CE}}$ setup time | t_{ces} | 0 | — | ns | |
| Data hold time | t_{dh} | 50 | — | ns | |
| Data setup time | t_{ds} | 50 | — | ns | |
| Write pulse width | t_{wep} | 70 | — | ns | |
| Status polling start time | t_{wsts} | 1 | — | ms | |
| Status polling access time | t_{spa} | — | 150 | ns | |
| Address setup time | t_{as} | 0 | — | ns | |
| Address hold time | t_{ah} | 60 | — | ns | |
| Memory write time | t_{write} | 1 | 3000 | ms | |
| $\overline{\text{WE}}$ rise time | t_r | — | 30 | ns | |
| $\overline{\text{WE}}$ fall time | t_f | — | 30 | ns | |
| Write setup time | t_{pns} | 100 | — | ns | |
| Write end setup time | t_{pnh} | 100 | — | ns | |

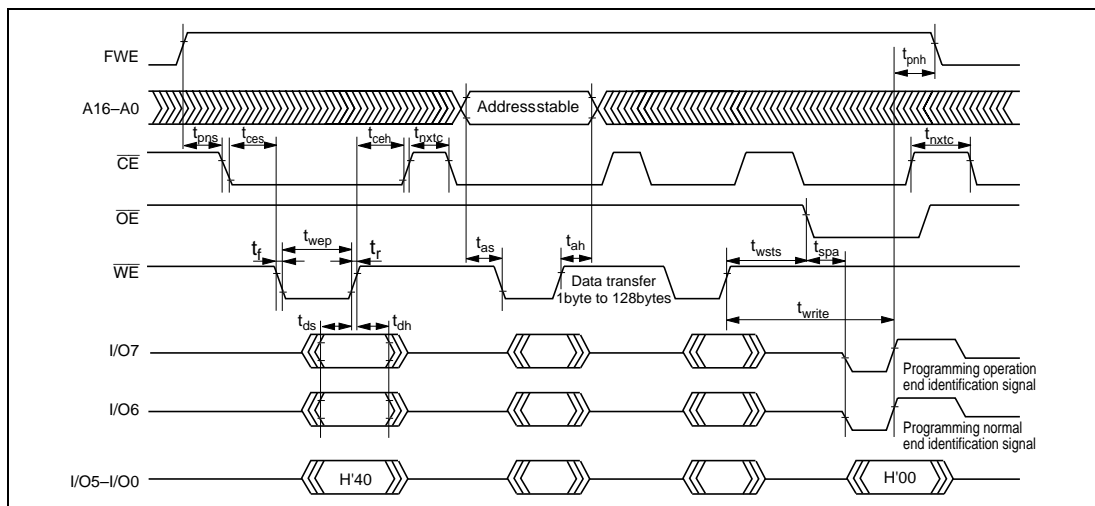


Figure 15.20 Auto-Program Mode Timing Waveforms

Cautions on Use of Auto-Program Mode

- In auto-program mode, 128 bytes are programmed simultaneously. This should be carried out by executing 128 consecutive byte transfers.
- A 128-byte data transfer is necessary even when programming fewer than 128 bytes. In this case, H'FF data must be written to the extra addresses.
- If a value other than an effective address is input, processing will switch to a memory write operation but a write error will be flagged.
- Memory address transfer is performed in the second cycle (figure 15.20). Do not perform transfer after the second cycle.
- Do not perform a command write during a programming operation.
- Perform one auto-programming operation for a 128-byte block for each address. Characteristics are not guaranteed for two or more programming operations.
- Confirm normal end of auto-programming by checking I/O 6. Alternatively, status read mode can also be used for this purpose.

15.8.6 Auto-Erase Mode

AC Characteristics

Table 15.17 AC Characteristics in Auto-Erase Mode

Conditions: $V_{CC} = 5.0\text{ V} \pm 10\%$, $V_{SS} = 0\text{ V}$, $T_a = 25^\circ\text{C} \pm 5^\circ\text{C}$

| Item | Symbol | Min | Max | Unit | Notes |
|-----------------------------------|-------------|-----|-------|---------------|-------|
| Command write cycle | t_{nxtc} | 20 | — | μs | |
| $\overline{\text{CE}}$ hold time | t_{ceh} | 0 | — | ns | |
| $\overline{\text{CE}}$ setup time | t_{ces} | 0 | — | ns | |
| Data hold time | t_{dh} | 50 | — | ns | |
| Data setup time | t_{ds} | 50 | — | ns | |
| Write pulse width | t_{wep} | 70 | — | ns | |
| Status polling start time | t_{ests} | 1 | — | ms | |
| Status polling access time | t_{spa} | — | 150 | ns | |
| Memory erase time | t_{erase} | 100 | 40000 | ms | |
| $\overline{\text{WE}}$ rise time | t_r | — | 30 | ns | |
| $\overline{\text{WE}}$ fall time | t_f | — | 30 | ns | |
| Erase setup time | t_{ens} | 100 | — | ns | |
| Erase end setup time | t_{enh} | 100 | — | ns | |

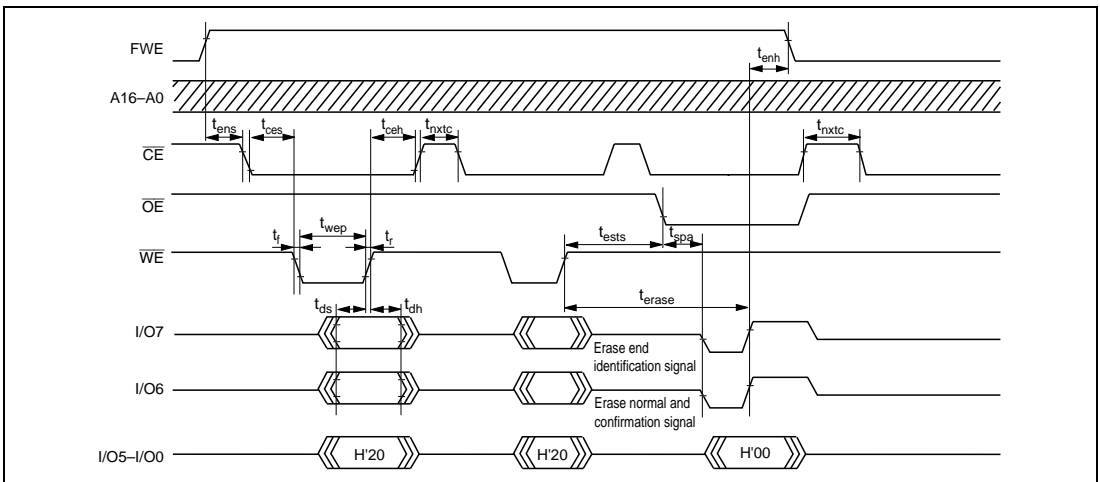


Figure 15.21 Auto-Erase Mode Timing Waveforms

Caution on Use of Erase-Program Mode

- Auto-erase mode supports only entire memory erasing.
- Do not perform a command write during auto-erasing.
- Confirm normal end of auto-erasing by checking I/O 6. Alternatively, status read mode can also be used for this purpose.

15.8.7 Status Read Mode

AC Characteristics

Table 15.18 AC Characteristics in Status Read Mode

Conditions: $V_{CC} = 5.0\text{ V} \pm 10\%$, $V_{SS} = 0\text{ V}$, $T_a = 25^\circ\text{C} \pm 5^\circ\text{C}$

| Item | Symbol | Min | Max | Unit | Notes |
|--|------------|-----|-----|---------------|-------|
| Command write cycle | t_{nxtc} | 20 | — | μs | |
| $\overline{\text{CE}}$ hold time | t_{ceh} | 0 | — | ns | |
| $\overline{\text{CE}}$ setup time | t_{ces} | 0 | — | ns | |
| Data hold time | t_{dh} | 50 | — | ns | |
| Data setup time | t_{ds} | 50 | — | ns | |
| Write pulse width | t_{wep} | 70 | — | ns | |
| $\overline{\text{OE}}$ output delay time | t_{oe} | — | 150 | ns | |
| Disable delay time | t_{df} | — | 100 | ns | |
| $\overline{\text{CE}}$ output delay time | t_{ce} | — | 150 | ns | |
| $\overline{\text{WE}}$ rise time | t_r | — | 30 | ns | |
| $\overline{\text{WE}}$ fall time | t_f | — | 30 | ns | |

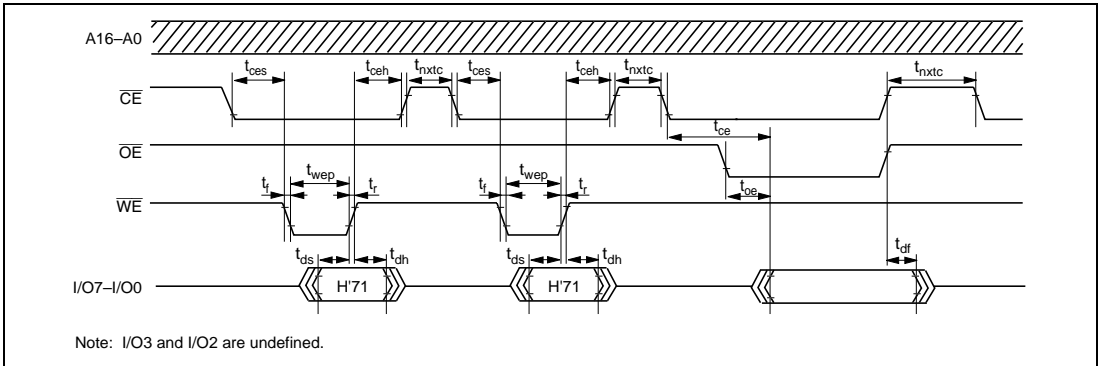


Figure 15.22 Status Read Mode Timing Waveforms

Table 15.19 Status Read Mode Return Commands

| Pin Name | I/O7 | I/O6 | I/O5 | I/O4 | I/O3 | I/O2 | I/O1 | I/O0 |
|---------------|----------------------------------|----------------------------------|--------------------------------------|--------------------------------|------|------|-------------------------------------|--|
| Attribute | Normal end identification | Command error | Programming error | Erase error | — | — | Programming or erase count exceeded | Effective address error |
| Initial value | 0 | 0 | 0 | 0 | 0 | 0 | 0 | 0 |
| Indications | Normal end: 0 Abnormal end: 1 | Command error: 1 Otherwise: 0 | Programming error: 1 Otherwise: 0 | Erase error: 1 Otherwise: 0 | — | — | Count exceeded: 1 Otherwise: 0 | Effective address error: 1 Otherwise: 0 |

Notes on status read mode

After exiting auto-program mode or auto-erase mode, status read mode must be executed without dropping the power supply.

Immediately after powering on, or once powering off, the return command is undefined.

15.8.8 PROM Mode Transition Time

Commands cannot be accepted during the oscillation stabilization period or the PROM mode setup period. After the PROM mode setup time, a transition is made to memory read mode.

Table 15.20 Stipulated Transition Times to Command Wait State

| Item | Symbol | Min | Max | Unit | Notes |
|---|------------|-----|-----|------|-------|
| Standby release (oscillation settling time) | t_{osc1} | 20 | — | ms | |
| PROM mode setup time | t_{bmv} | 10 | — | ms | |
| V_{CC} hold time | t_{dwn} | 0 | — | ms | |

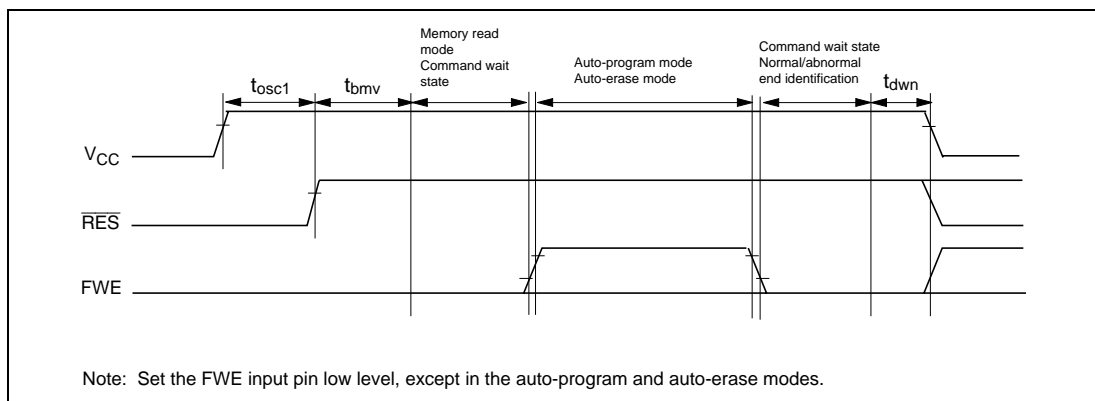


Figure 15.23 Oscillation Stabilization Time, Boot Program Transfer Time

15.8.9 Notes on Memory Programming

- When programming addresses which have previously been programmed, carry out auto-erasing before auto-programming (figure 15.24).
- When performing programming using PROM mode on a chip that has been programmed/erased in an on-board programming mode, auto-erasing is recommended before carrying out auto-programming.

Notes: 1. The flash memory is initially in the erased state when the device is shipped by Renesas. For other chips for which the erasure history is unknown, it is recommended that auto-erasing be executed to check and supplement the initialization (erase) level.

2. In the PROM mode, auto-programming to a 128-byte programming unit block should be performed only once.

Do not perform additional programming to a programmed 128-byte programming unit block.

To reprogram, perform auto-programming after auto-erasing.

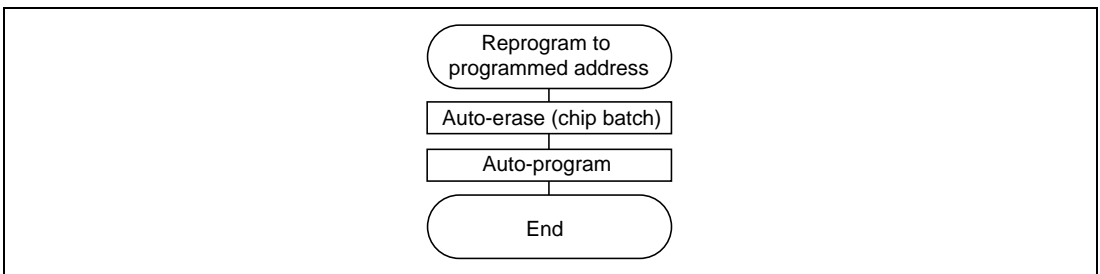


Figure 15.24 Reprogramming to Programmed Address

15.9 Notes on Flash Memory Programming/Erasing

The following describes notes when using the on-board programming mode, RAM emulation function, and PROM mode.

- (1) Program/erase with the specified voltage and timing.

Applied voltages in excess of the rating can permanently damage the device.

Use a PROM writer that supports the Renesas Technology 128 kbytes flash memory on-board microcomputer device type.

Do not set the PROM writer at the HN28F101. If the PROM writer is set to the HN28F101 by mistake, a high level can be input to the FWE pin and the LSI can be destroyed.

(2) Notes on powering on/powering off (See figures 15.25 to 15.27.)

Input a high level to the FWE pin after verifying Vcc. Before turning off Vcc, set the FWE pin to a low level.

When powering on and powering off the Vcc power supply, fix the FWE pin a low level and set the flash memory to the hardware protection mode.

Be sure that the powering on and powering off timing is satisfied even when the power is turned off and back on in the event of a power interruption, etc. If this timing is not satisfied, microcomputer runaway, etc., may cause overprogramming or overerasing and the memory cells may not operate normally.

(3) Notes on FWE pin High/Low switching (See figures 15.25 to 15.27.)

Input FWE in the state microcomputer operation is verified. If the microcomputer does not satisfy the operation confirmation state, fix the FWE pin at a low level to set the protection mode.

To prevent erroneous programming/erasing of flash memory, note the following in FWE pin High/Low switching:

- Apply an input to the FWE pin after the Vcc voltage has stabilized within the rated voltage. If an input is applied to the FWE pin when the microcomputer Vcc voltage does not satisfy the rated voltage, flash memory may be erroneously programmed or erased because the microcomputer is in the unconfirmed state.
- Apply an input to the FWE pin when the oscillation has stabilized (after the oscillation stabilization time).

When turning on the Vcc power, apply an input to the FWE pin after holding the $\overline{\text{RES}}$ pin at a low level during the oscillation stabilization time ($t_{\text{osc1}}=20\text{ms}$). Do not apply an input to the FWE pin when oscillation is stopped or unstable.

- In the boot mode, perform FWE pin High/Low switching during reset.

In transition to the boot mode, input FWE = High level and set MD₂ to MD₀ while the $\overline{\text{RES}}$ input is low. At this time, the FWE and MD₂ to MD₀ inputs must satisfy the mode programming setup time (t_{MDS}) relative to the reset clear timing. The mode programming setup time is necessary for $\overline{\text{RES}}$ reset timing even in transition from the boot mode to another mode.

In reset during operation, the $\overline{\text{RES}}$ pin must be held at a low level for at least 20 system clocks.

- In the user program mode, FWE = High/Low switching is possible regardless of the $\overline{\text{RES}}$ input.

FWE input switching is also possible during program execution on flash memory.

- Apply an input to FWE when the program is not running away.
When applying an input to the FWE pin, the program execution state must be supervised using a watchdog timer, etc.
- Input low level to the FWE pin when the SWE, ESU, PSU, EV, PV, E, and P bits in FLMCR have been cleared.
Do not erroneously set the SWE, ESU, PSU, EV, PV, E, and P bits when FWE High/Low.

(4) Do not input a constant high level to the FWE pin.

To prevent erroneous programming/erasing in the event of program runaway, etc., input a high level to the FWE pin only when programming/erasing flash memory (including flash memory emulation by RAM). Avoid system configurations that constantly input a high level to the FWE pin. Handle program runaway, etc. by starting the watchdog timer so that flash memory is not overprogrammed/overerased even while a high level is input to the FWE pin.

(5) Program/erase the flash memory in accordance with the recommended algorithms.

The recommended algorithms can program/erase the flash memory without applying voltage stress to the device or sacrificing the reliability of the program data.

When setting the PSU and ESU bits in FLMCR, set the watchdog timer for program runaway, etc.

(6) Do not set/clear the SWE bit while a program is executing on flash memory.

Before performing flash memory program execution or data read, clear the SWE bit.

If the SWE bit is set, the flash data can be reprogrammed, but flash memory cannot be accessed for purposes other than verify (verify during programming/erase).

Similarly perform flash memory program execution and data read after clearing the SWE bit even when using the RAM emulation function with a high level input to the FWE pin.

However, RAM area that overlaps flash memory space can be read/programmed whether the SWE bit is set or cleared.

(7) Do not use an interrupt during flash memory programming or erasing.

Since programming/erase operations (including emulation by RAM) have priority when a high level is input to the FWE pin, disable all interrupt requests, including NMI.

(8) Do not perform additional programming. Reprogram flash memory after erasing.

With on-board programming, program to 32-byte programming unit blocks one time only.

Program to 128-byte programming unit blocks one time only even in the PROM mode. Erase all the programming unit blocks before reprogramming.

Bus release must also be disabled.

- (9) Before programming, check that the chip is correctly mounted in the PROM programmer. Overcurrent damage to the device can result if the index marks on the PROM programmer socket, socket adapter, and chip are not correctly aligned.
- (10) Do not touch the socket adapter or chip during programming. Touching either of these can cause contact faults and write errors.

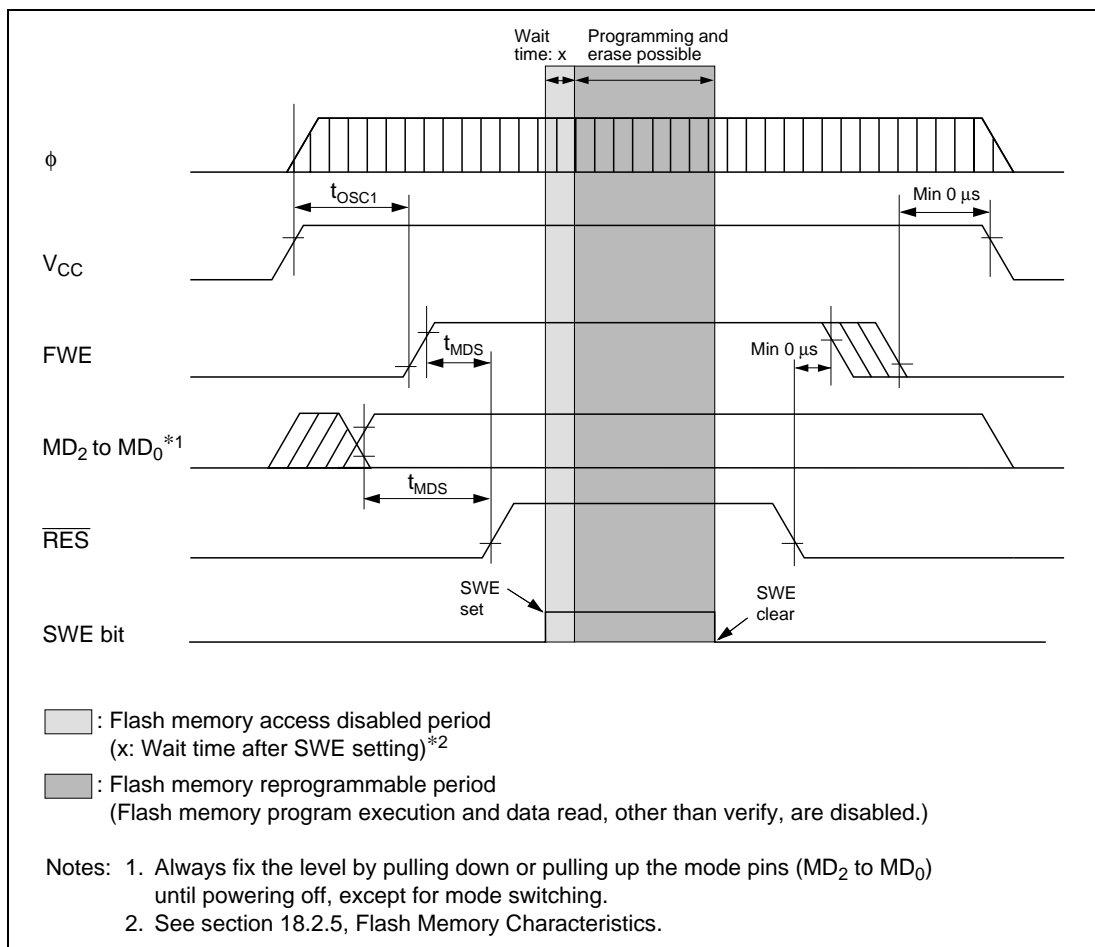


Figure 15.25 Powering On/Off Timing (Boot Mode)

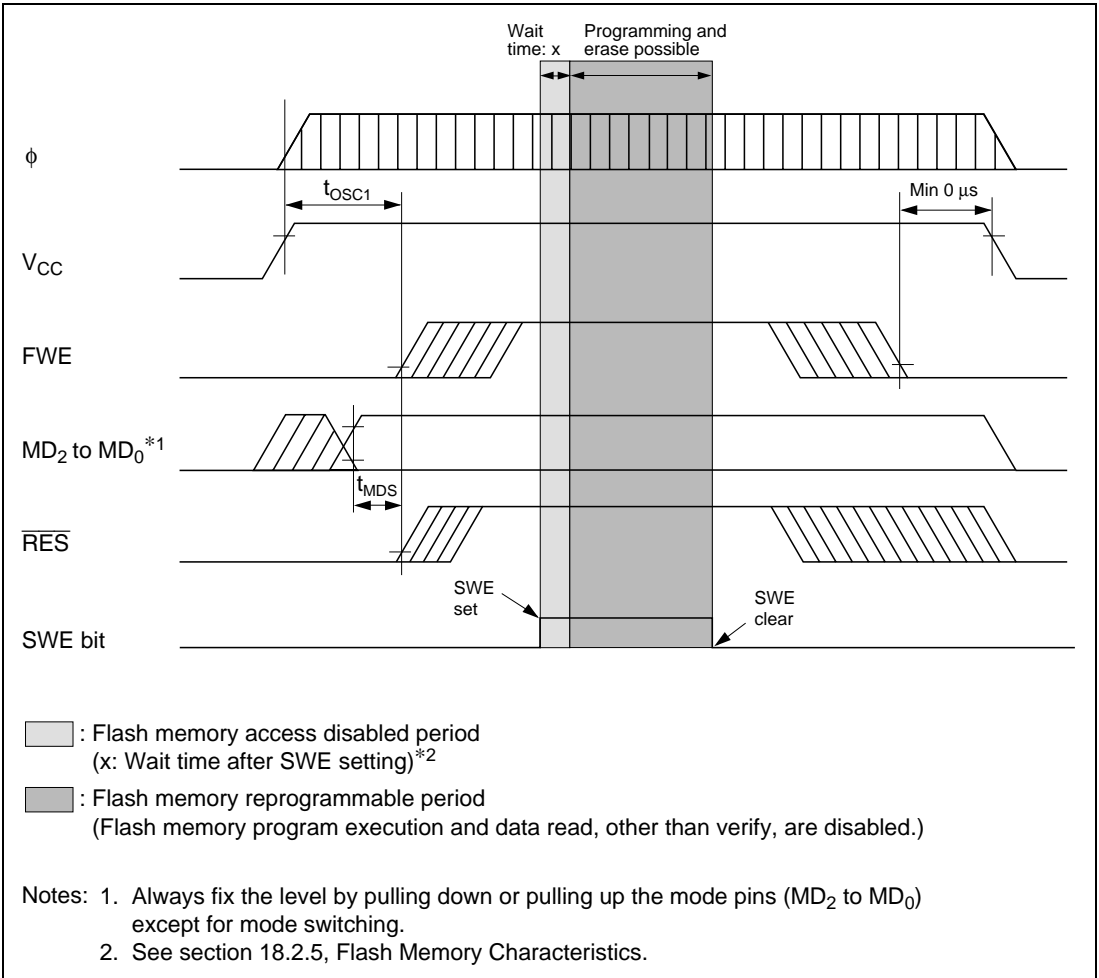


Figure 15.26 Powering On/Off Timing (User Program Mode)

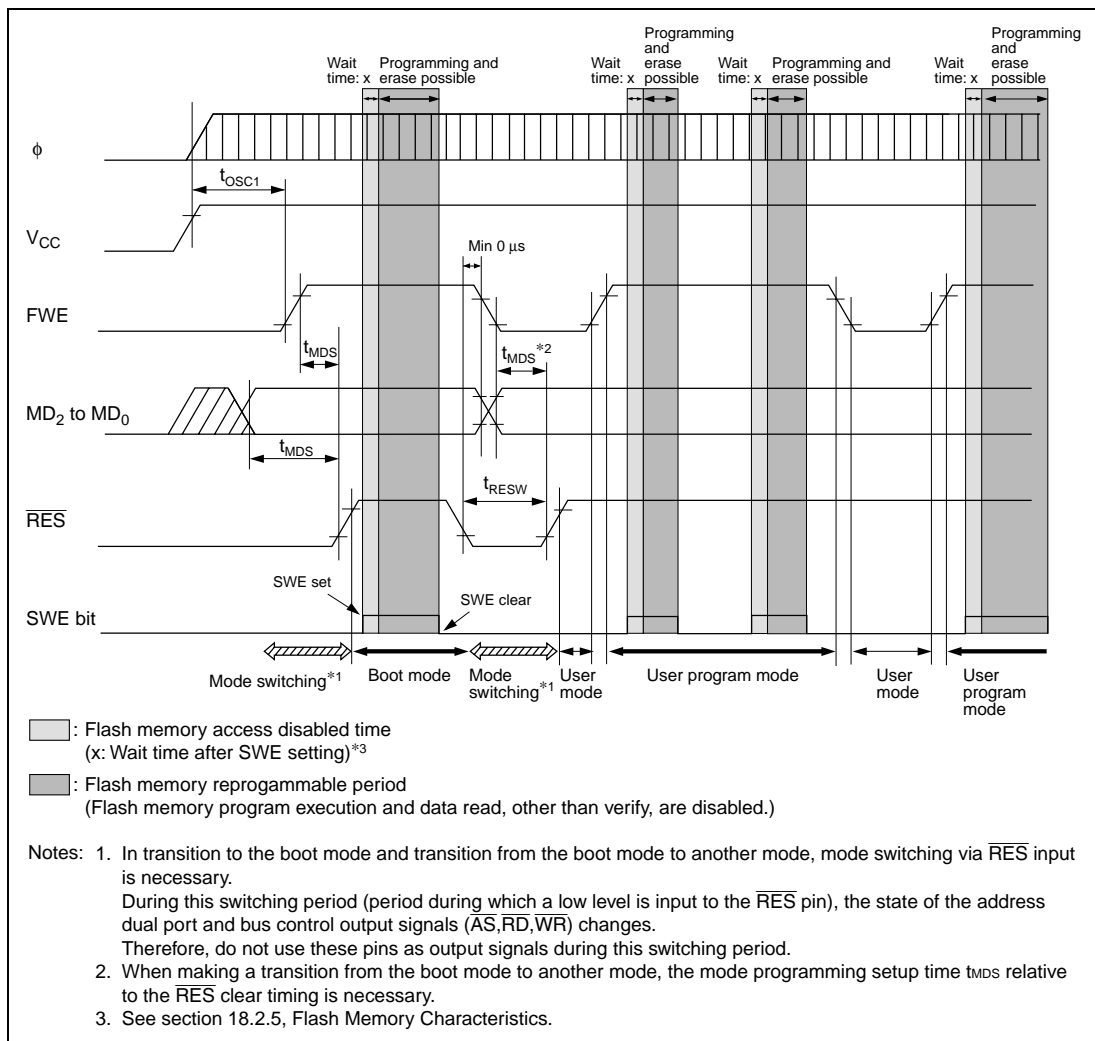


Figure 15.27 Mode Transition Timing
(Example: Boot Mode → User Mode ↔ User Program Mode)

15.10 Mask ROM Overview

15.10.1 Block Diagram

Figure 15.28 shows a block diagram of the ROM.

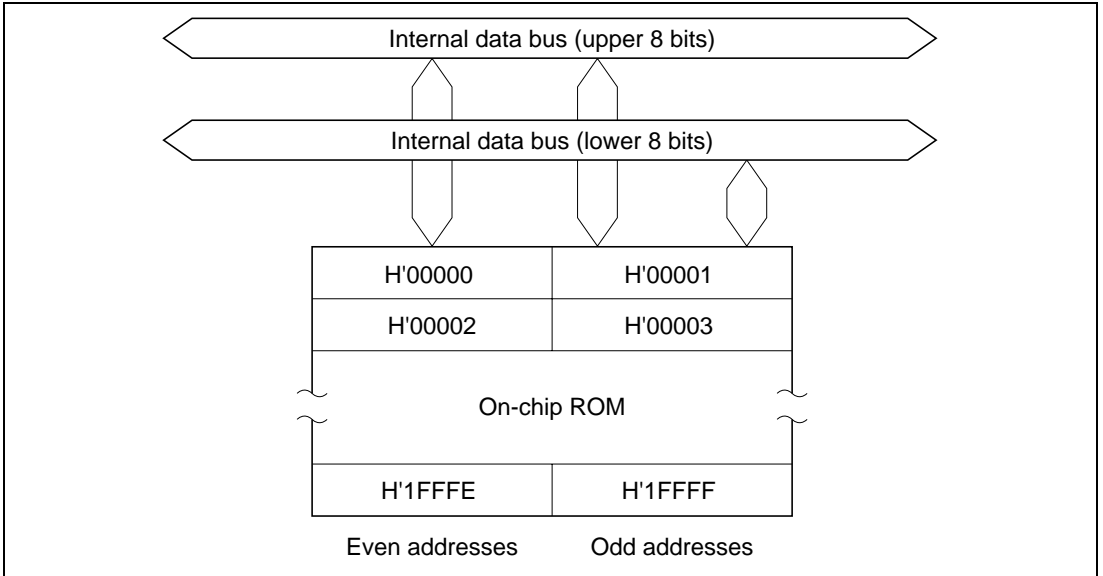


Figure 15.28 ROM Block Diagram (H8/3039)

15.11 Notes on Ordering Mask ROM Version Chip

When ordering the H8/3039 Group chips with a mask ROM, note the following.

- When ordering through an EPROM, use a 128-kbyte one.
- Fill all the unused addresses with H'FF as shown in figure15.29 to make the ROM data size 128 kbytes for all H8/3039 Group chips, which incorporate different sizes of ROM. This applies to ordering through an EPROM and through electrical data transfer.
- The flash memory versions only registers for flash memory control (FLMCR, EBR, RAMCR, and FLMSR) are not provided in the mask ROM versions. Reading the corresponding addresses in a mask ROM version will always return 1s, and writes to these addresses are disabled. This must be borne in mind when switching from the flash memory versions to a mask ROM version.

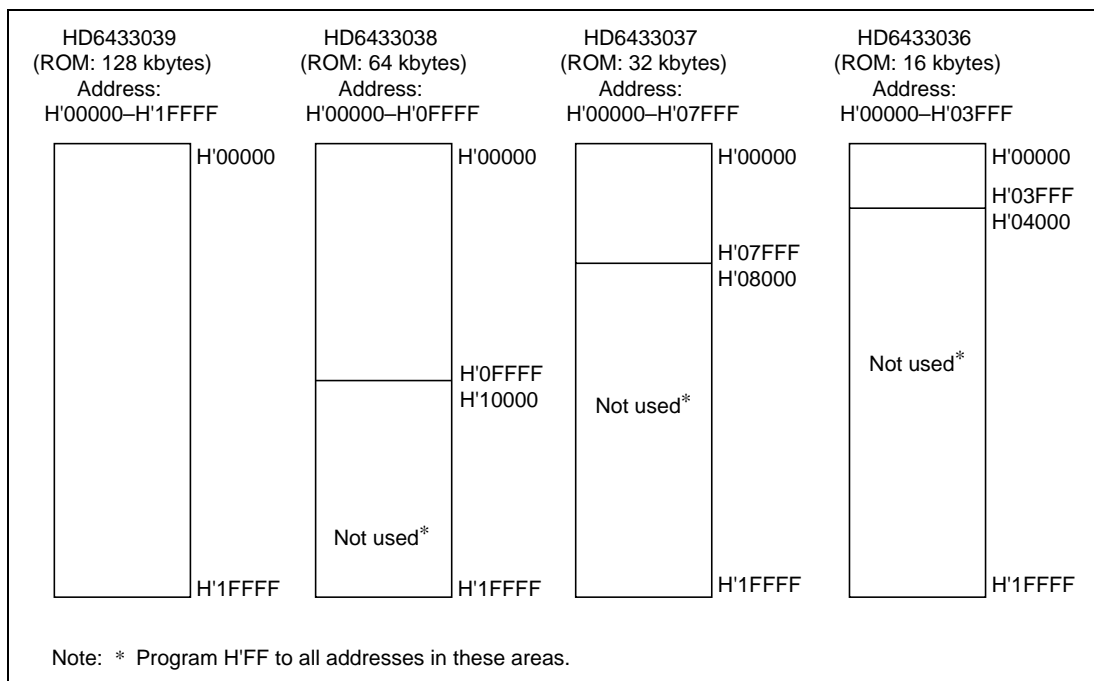


Figure 15.29 Mask ROM Addresses and Data

Section 16 Clock Pulse Generator

16.1 Overview

This LSI has a built-in clock pulse generator (CPG) that generates the system clock (ϕ) and other internal clock signals ($\phi/2$ to $\phi/4096$). After duty adjustment, a frequency divider divides the clock frequency to generate the system clock (ϕ). The system clock is output at the ϕ pin*¹ and furnished as a master clock to prescalers that supply clock signals to the on-chip supporting modules. Frequency division ratios of 1/1, 1/2, 1/4, and 1/8 can be selected for the frequency divider by settings in a division control register (DIVCR). Power consumption in the chip is reduced in almost direct proportion to the frequency division ratio*².

- Notes:
1. Usage of the ϕ pin differs depending on the chip operating mode and the PSTOP bit setting in the module standby control register (MSTCR). For details, see section 17.7, System Clock Output Disabling Function.
 2. The division ratio of the frequency divider can be changed dynamically during operation. The clock output at the ϕ pin also changes when the division ratio is changed. The frequency output at the ϕ pin is shown below.

$$\phi = \text{EXTAL} \times n$$

EXTAL: Frequency of crystal resonator or external clock signal

n: Frequency division ratio (n = 1/1, 1/2, 1/4, or 1/8)

16.1.1 Block Diagram

Figure 16.1 shows a block diagram of the clock pulse generator.

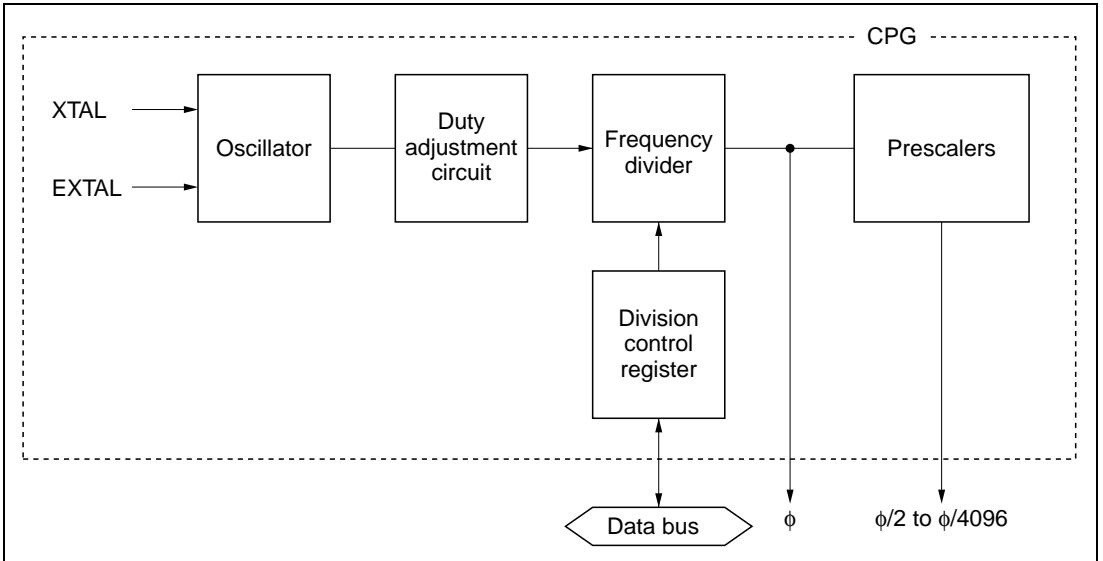


Figure 16.1 Block Diagram of Clock Pulse Generator

16.2 Oscillator Circuit

Clock pulses can be supplied by connecting a crystal resonator, or by input of an external clock signal.

16.2.1 Connecting a Crystal Resonator

Circuit Configuration

A crystal resonator can be connected as in the example in figure 16.2. The damping resistance R_d should be selected according to table 16.1. An AT-cut parallel-resonance crystal should be used.

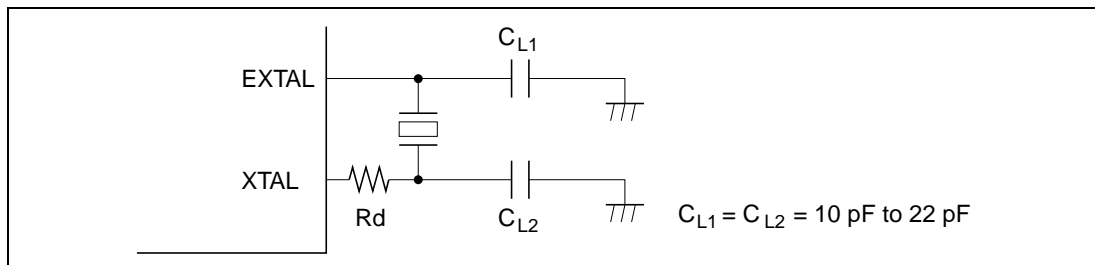


Figure 16.2 Connection of Crystal Resonator (Example)

Table 16.1 Damping Resistance Value (Example)

| Frequency (MHz) | 2 | 4 | 8 | 10 | 12 | 16 | 18 |
|--------------------|-----|-----|-----|----|----|----|----|
| R_d (Ω) | 1 k | 500 | 200 | 0 | 0 | 0 | 0 |

Crystal Resonator

Figure 16.3 shows an equivalent circuit of the crystal resonator. The crystal resonator should have the characteristics listed in table 16.2.

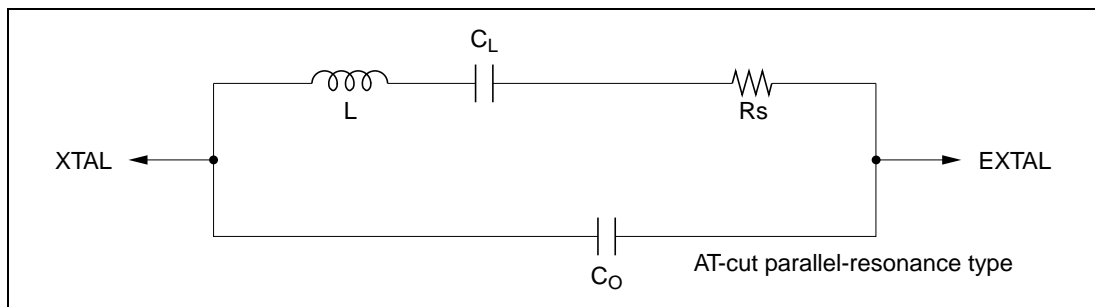


Figure 16.3 Crystal Resonator Equivalent Circuit

Table 16.2 Crystal Resonator Parameters

| Frequency (MHz) | 2 | 4 | 8 | 10 | 12 | 16 | 18 |
|---------------------|-----|-----|----|----|----|----|----|
| Rs max (Ω) | 500 | 120 | 80 | 70 | 60 | 50 | 40 |
| Co max (pF) | 7 | 7 | 7 | 7 | 7 | 7 | 7 |

Use a crystal resonator with a frequency equal to the system clock frequency (ϕ).

Notes on Board Design

When a crystal resonator is connected, the following points should be noted:

Other signal lines should be routed away from the oscillator circuit to prevent induction from interfering with correct oscillation. See figure 16.4.

When the board is designed, the crystal resonator and its load capacitors should be placed as close as possible to the XTAL and EXTAL pins.

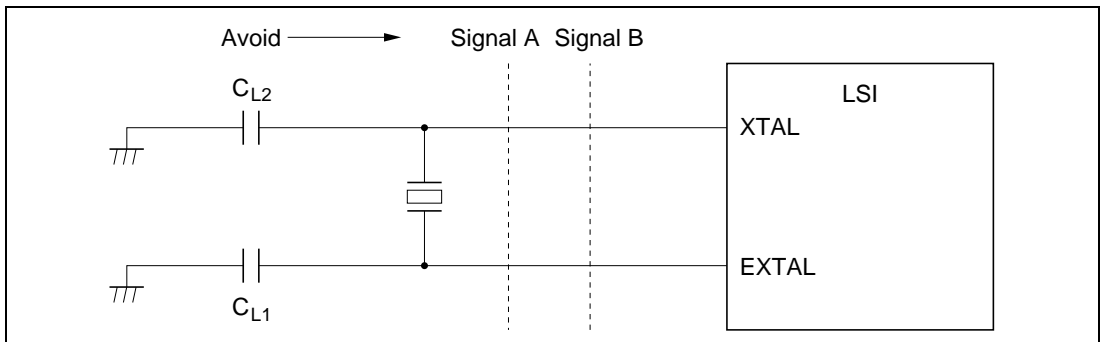


Figure 16.4 Example of Incorrect Board Design

16.2.2 External Clock Input

Circuit Configuration

An external clock signal can be input as shown in the examples in figure 16.5. In example b, the clock should be held high in standby mode.

If the XTAL pin is left open, the stray capacitance should not exceed 10 pF.

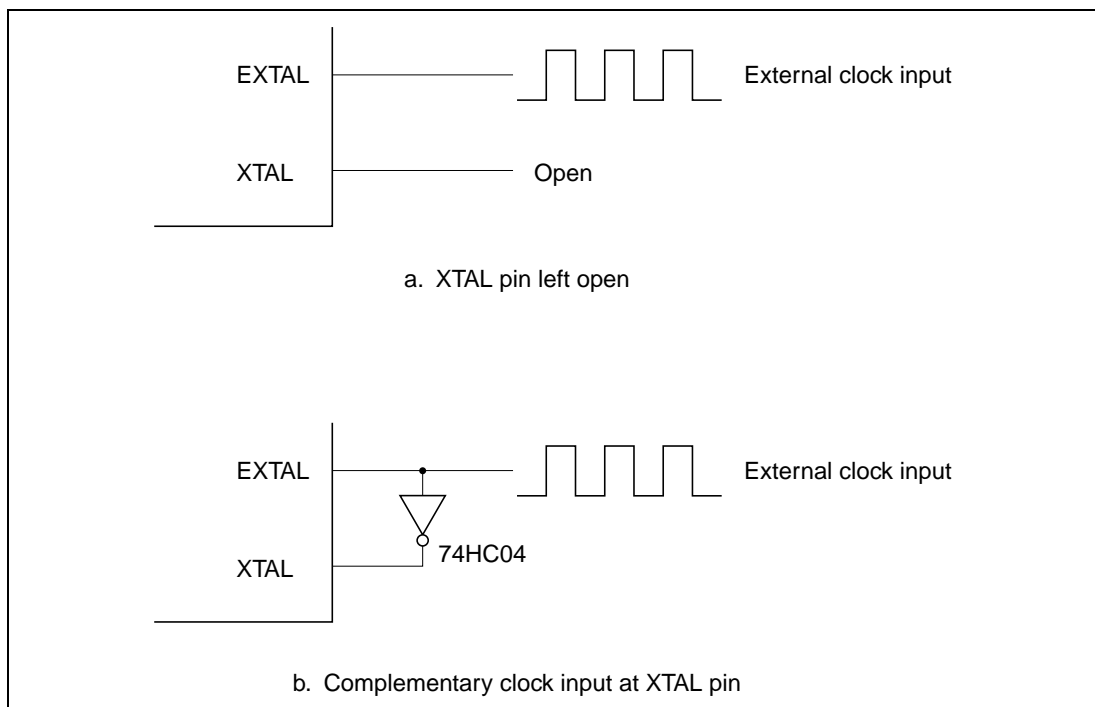


Figure 16.5 External Clock Input (Examples)

External Clock

The external clock frequency should be equal to the system clock frequency (ϕ). Table 16.3 and figure 16.6 indicate the clock timing.

Table 16.3 Clock Timing

| Item | Symbol | $V_{CC} = 2.7\text{ V to }5.5\text{ V}$ | | $V_{CC} = 5.0\text{ V } \pm 10\%$ | | Unit | Test Conditions |
|---|-----------|---|-----|-----------------------------------|-----|------|--------------------------------------|
| | | Min | Max | Min | Max | | |
| External clock rise time | t_{EXr} | — | 10 | — | 5 | ns | Figure 16.6 |
| External clock fall time | t_{EXf} | — | 10 | — | 5 | ns | |
| External clock input duty (a/t_{cyc}) | — | 30 | 70 | 30 | 70 | % | $\phi \geq 5\text{ MHz}$ Figure 16.6 |
| ϕ clock width duty (b/t_{cyc}) | — | 40 | 60 | 40 | 60 | % | $\phi < 5\text{ MHz}$ |

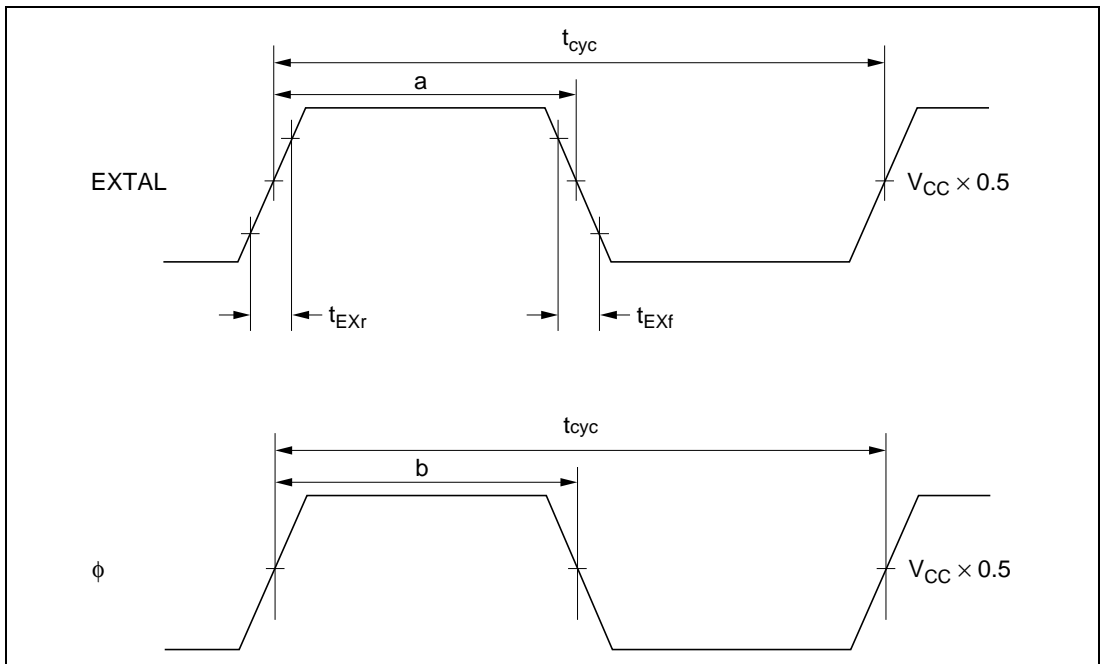


Figure 16.6 External Clock Input Timing

Table 16.4 and figure 16.7 show the timing for the external clock output stabilization delay time. The oscillator and duty correction circuit have the function of regulating the waveform of the external clock input to the EXTAL pin. When the specified clock signal is input to the EXTAL pin, internal clock signal output is confirmed after the elapse of the external clock output stabilization delay time (t_{DEXT}). As clock signal output is not confirmed during the t_{DEXT} period, the reset signal should be driven low and the reset state maintained during this time.

Table 16.4 External Clock Output Stabilization Delay Time

Conditions: $V_{\text{CC}} = 2.7 \text{ V to } 5.5 \text{ V}$, $AV_{\text{CC}} = 2.7 \text{ V to } 5.5 \text{ V}$, $V_{\text{SS}} = AV_{\text{SS}} = 0 \text{ V}$

| Item | Symbol | Min | Max | Unit | Notes |
|--|---------------------|-----|-----|---------------|-------------|
| External clock output stabilization delay time | t_{DEXT}^* | 500 | — | μs | Figure 16.7 |

Note: * t_{DEXT} includes a $10 t_{\text{cyc}} \overline{\text{RES}}$ pulse width (t_{RESW}).

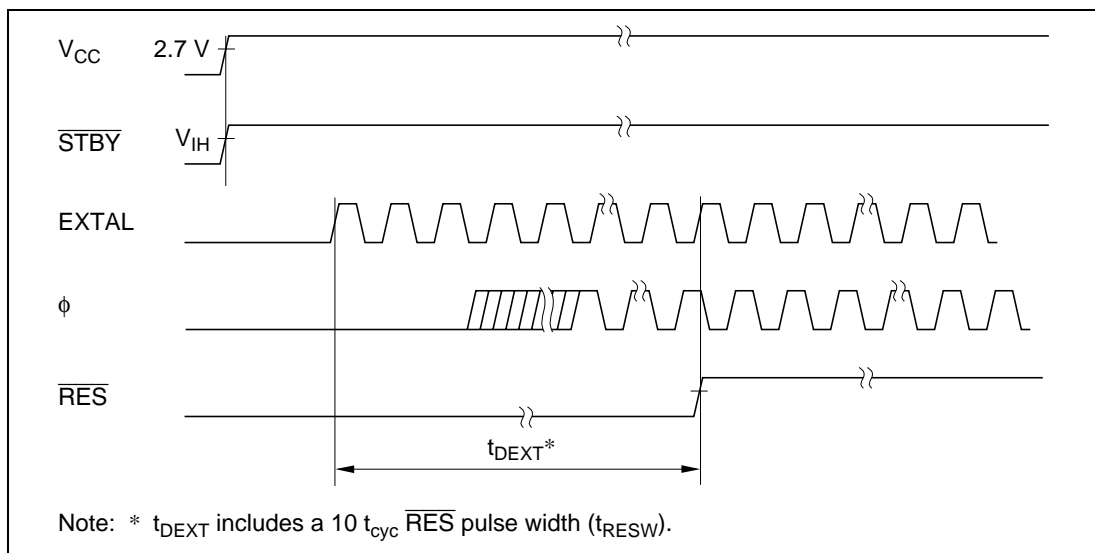


Figure 16.7 External Clock Output Stabilization Delay Time

16.3 Duty Adjustment Circuit

When the oscillator frequency is 5 MHz or higher, the duty adjustment circuit adjusts the duty cycle of the clock signal from the oscillator to generate the system clock (ϕ).

16.4 Prescalers

The prescalers divide the system clock (ϕ) to generate internal clocks ($\phi/2$ to $\phi/4096$).

16.5 Frequency Divider

The frequency divider divides the duty-adjusted clock signal to generate the system clock (ϕ). The frequency division ratio can be changed dynamically by modifying the value in DIVCR, as described below. Power consumption in the chip is reduced in almost direct proportion to the frequency division ratio. The system clock generated by the frequency divider can be output at the ϕ pin.

16.5.1 Register Configuration

Table 16.5 summarizes the frequency division register.

Table 16.5 Frequency Division Register

| Address* | Name | Abbreviation | R/W | Initial Value |
|----------|---------------------------|--------------|-----|---------------|
| H'FF5D | Division control register | DIVCR | R/W | H'FC |

Note: * The lower 16 bits of the address are shown.

16.5.2 Division Control Register (DIVCR)

DIVCR is an 8-bit readable/writable register that selects the division ratio of the frequency divider.

| | | | | | | | | |
|---------------|---|---|---|---|---|---|------|------|
| Bit | 7 | 6 | 5 | 4 | 3 | 2 | 1 | 0 |
| | — | — | — | — | — | — | DIV1 | DIV0 |
| Initial value | 1 | 1 | 1 | 1 | 1 | 1 | 0 | 0 |
| Read/Write | — | — | — | — | — | — | R/W | R/W |

Reserved bits

Divide bits 1 and 0
 These bits select the frequency division ratio

DIVCR is initialized to HFC by a reset and in hardware standby mode. It is not initialized in software standby mode.

Bits 7 to 2—Reserved: These bits cannot be modified and are always read as 1.

Bits 1 and 0—Divide (DIV1 and DIV0): These bits select the frequency division ratio, as follows.

| Bit 1 DIV1 | Bit 0 DIV0 | Frequency Division Ratio |
|---------------|---------------|--------------------------|
| 0 | 0 | 1/1 (Initial value) |
| 0 | 1 | 1/2 |
| 1 | 0 | 1/4 |
| 1 | 1 | 1/8 |

16.5.3 Usage Notes

The DIVCR setting changes the ϕ frequency, so note the following points.

- Select a frequency division ratio that stays within the assured operation range specified for the clock cycle time t_{cyc} in the AC electrical characteristics. Note that $\phi_{\text{MIN}} = 1$ MHz. Avoid settings that give system clock frequencies less than 1 MHz.

All on-chip module operations are based on ϕ . Note that the timing of timer operations, serial communication, and other time-dependent processing differs before and after any change in the division ratio. The waiting time for exit from software standby mode also changes when the division ratio is changed. For details, see section 17.4.3, Selection of Oscillator Waiting Time after Exit from Software Standby Mode

Section 17 Power-Down State

17.1 Overview

This LSI has a power-down state that greatly reduces power consumption by halting CPU functions, and a module standby function that reduces power consumption by selectively halting on-chip modules. The power-down state includes the following three modes:

- Sleep mode
- Software standby mode
- Hardware standby mode

The module standby function can halt on-chip supporting modules independently of the power-down state. The modules that can be halted are the ITU, SCI0, SCI1, and A/D converter.

Table 17.1 indicates the methods of entering and exiting these power-down modes and the status of the CPU and on-chip supporting modules in each mode.

Table 17.1 Power-Down State and Module Standby Function

| Mode | State | | | | | | | | | | Exiting Methods | | |
|-------------------------|--|--------|--------|---------------|--------------------------------|--------------------------------|--------------------------------|--------------------------------|--------------------|-------------------|------------------------------|----------------|--|
| | Entering Conditions | Clock | CPU | CPU Registers | ITU | SCIO | SCI1 | A/D | Supporting Modules | RAM | | clock output | I/O Ports |
| Sleep mode | SLEEP instruction executed while SSBY = 0 in SYSCR | Active | Halted | Held | Active | Active | Active | Active | Active | Held | Output | Held | <ul style="list-style-type: none"> Interrupt RES STBY |
| Software standby mode | SLEEP instruction executed while SSBY = 1 in SYSCR | Halted | Halted | Held | Halted and reset | Halted and reset | Halted and reset | Halted and reset | Halted and reset | Held | High output | Held | <ul style="list-style-type: none"> NMI IRQ_n to IRQ₁ RES STBY |
| Hardware standby mode | Low input at STBY pin | Halted | Halted | Undetermined | Halted and reset | Halted and reset | Halted and reset | Halted and reset | Halted and reset | Held ² | High impedance | High impedance | <ul style="list-style-type: none"> STBY RES |
| Module standby function | Corresponding bit set to 1 in MSTCR | Active | Active | — | Halted ^{#1} and reset | Halted ^{#1} and reset | Halted ^{#1} and reset | Halted ^{#1} and reset | Active | — | High impedance ^{#1} | — | <ul style="list-style-type: none"> STBY RES Clear MSTCR bit to 0^{#3} |

Legend:

SYSCR: System control register

SSBY: Software standby bit

MSTCR: Module standby control register

- Notes:
1. State in which the corresponding MSTCR bit was set to 1. For details see section 17.2.2, Module Standby Control Register (MSTCR).
 2. The RAME bit must be cleared to 0 in SYSCR before the transition from the program execution state to hardware standby mode.
 3. When a MSTCR bit is set to 1, the registers of the corresponding on-chip supporting module are initialized. To restart the module, first clear the MSTCR bit to 0, then set up the module registers again.

17.2 Register Configuration

This LSI has a system control register (SYSCR) that controls the power-down state, and a module standby control register (MSTCR) that controls the module standby function. Table 17.2 summarizes this register.

Table 17.2 Register Configuration

| Address* | Name | Abbreviation | R/W | Initial Value |
|----------|---------------------------------|--------------|-----|---------------|
| H'FFF2 | System control register | SYSCR | R/W | H'0B |
| H'FFF5E | Module standby control register | MSTCR | R/W | H'40 |

Note: * Lower 16 bits of the address.

17.2.1 System Control Register (SYSCR)

| Bit | 7 | 6 | 5 | 4 | 3 | 2 | 1 | 0 |
|---------------|------|------|------|------|-----|-------|---|------|
| | SSBY | STS2 | STS1 | STS0 | UE | NMIEG | — | RAME |
| Initial value | 0 | 0 | 0 | 0 | 1 | 0 | 1 | 1 |
| Read/Write | R/W | R/W | R/W | R/W | R/W | R/W | — | R/W |

RAM enable

Reserved bit

NMI edge select

User bit enable

Standby timer select 2 to 0
These bits select the waiting time at exit from software standby mode

Software standby
Enables transition to software standby mode

SYSCR is an 8-bit readable/writable register. Bit 7 (SSBY) and bits 6 to 4 (STS2 to STS0) control the power-down state. For information on the other SYSCR bits, see section 3.3, System Control Register (SYSCR).

Bit 7—Software Standby (SSBY): Enables transition to software standby mode. When software standby mode is exited by an external interrupt, this bit remains set to 1 after the return to normal operation. To clear this bit, write 0.

Bit 7

| SSBY | Description | |
|-------------|--|-----------------|
| 0 | SLEEP instruction causes transition to sleep mode | (Initial value) |
| 1 | SLEEP instruction causes transition to software standby mode | |

Bits 6 to 4—Standby Timer Select (STS2 to STS0): These bits select the length of time the CPU and on-chip supporting modules wait for the clock to settle when software standby mode is exited by an external interrupt. If the clock is generated by a crystal resonator, set these bits according to the clock frequency so that the waiting time (for the clock to stabilize) will be at least 7 ms. See table 17.3. If an external clock is used, any setting is permitted.

| Bit 6 STS2 | Bit 5 STS1 | Bit 4 STS0 | Description | |
|-----------------------|-----------------------|-----------------------|------------------------------|-----------------|
| 0 | 0 | 0 | Waiting time = 8192 states | (Initial value) |
| | | 1 | Waiting time = 16384 states | |
| | 1 | 0 | Waiting time = 32768 states | |
| | | 1 | Waiting time = 65536 states | |
| 1 | 0 | 0 | Waiting time = 131072 states | |
| | 0 | 1 | Waiting time = 1024 states | |
| | 1 | — | Illegal setting | |

17.2.2 Module Standby Control Register (MSTCR)

MSTCR is an 8-bit readable/writable register that controls output of the system clock (ϕ). It also controls the module standby function, which places individual on-chip supporting modules in the standby state. Module standby can be designated for the ITU, SCIO, SCII, and A/D converter modules.

| | | | | | | | | |
|---------------|-------|---|--------|--------|--------|---|---|--------|
| Bit | 7 | 6 | 5 | 4 | 3 | 2 | 1 | 0 |
| | PSTOP | — | MSTOP5 | MSTOP4 | MSTOP3 | — | — | MSTOP0 |
| Initial value | 0 | 1 | 0 | 0 | 0 | 0 | 0 | 0 |
| Read/Write | R/W | — | R/W | R/W | R/W | — | — | R/W |

Reserved bit
 ϕ clock stop
 Enables or disables
 output of the system clock

Module standby 5 to 3, and 0
 These bits select modules
 to be placed in standby

MSTCR is initialized to H'40 by a reset and in hardware standby mode. It is not initialized in software standby mode.

Bit 7— ϕ Clock Stop (PSTOP): Enables or disables output of the system clock (ϕ).

Bit 7

| PSTOP | Description |
|-------|--|
| 0 | System clock output is enabled (Initial value) |
| 1 | System clock output is disabled |

Bit 6—Reserved: This bit cannot be modified and is always read as 1.

Bit 5—Module Standby 5 (MSTOP5): Selects whether to place the ITU in standby.

Bit 5

| MSTOP5 | Description |
|--------|---------------------------------------|
| 0 | ITU operates normally (Initial value) |
| 1 | ITU is in standby state |

Bit 4—Module Standby 4 (MSTOP4): Selects whether to place SCI0 in standby.

Bit 4

MSTOP4 Description

0 SCI0 operates normally (Initial value)

1 SCI0 is in standby state

Bit 3—Module Standby 3 (MSTOP3): Selects whether to place SCI1 in standby.

Bit 3

MSTOP3 Description

0 SCI1 operates normally (Initial value)

1 SCI1 is in standby state

Bits 2 to 1—Reserved: Bits 2 to 1 are reserved.

Bit 0—Module Standby 0 (MSTOP0): Selects whether to place the A/D converter in standby.

Bit 0

MSTOP0 Description

0 A/D converter operates normally (Initial value)

1 A/D converter is in standby state

17.3 Sleep Mode

17.3.1 Transition to Sleep Mode

When the SSBY bit is cleared to 0 in the system control register (SYSCR), execution of the SLEEP instruction causes a transition from the program execution state to sleep mode. Immediately after executing the SLEEP instruction the CPU halts, but the contents of its internal registers are retained. The on-chip supporting modules do not halt in sleep mode. On-chip supporting modules which have been placed in standby by the module standby function, however, remain halted.

17.3.2 Exit from Sleep Mode

Sleep mode is exited by an interrupt, or by input at the $\overline{\text{RES}}$ or $\overline{\text{STBY}}$ pin.

Exit by Interrupt: An interrupt terminates sleep mode and causes a transition to the interrupt exception handling state. Sleep mode is not exited by an interrupt source in an on-chip supporting module if the interrupt is disabled in the on-chip supporting module. Sleep mode is not exited by an interrupt other than NMI if the interrupt is masked by interrupt priority settings (IPR) and the settings of the I and UI bits in CCR.

Exit by $\overline{\text{RES}}$ Input: Low input at the $\overline{\text{RES}}$ pin exits from sleep mode to the reset state.

Exit by $\overline{\text{STBY}}$ Input: Low input at the $\overline{\text{STBY}}$ pin exits from sleep mode to hardware standby mode.

17.4 Software Standby Mode

17.4.1 Transition to Software Standby Mode

To enter software standby mode, execute the SLEEP instruction while the SSBY bit is set to 1 in SYSCR.

In software standby mode, current dissipation is reduced to an extremely low level because the CPU, clock, and on-chip supporting modules all halt. The on-chip supporting modules are reset and halted. As long as the specified voltage is supplied, however, CPU register contents and on-chip RAM data are retained. The settings of the I/O ports are also held.

17.4.2 Exit from Software Standby Mode

Software standby mode can be exited by input of an external interrupt at the NMI, $\overline{\text{IRQ}}_0$, $\overline{\text{IRQ}}_1$, or by input at the $\overline{\text{RES}}$ or $\overline{\text{STBY}}$ pin.

Exit by Interrupt: When an NMI, IRQ_0 , or IRQ_1 interrupt request signal is received, the clock oscillator begins operating. After the oscillator settling time selected by bits STS2 to STS0 in SYSCR, stable clock signals are supplied to the entire chip, software standby mode ends, and interrupt exception handling begins. Software standby mode is not exited if the interrupt enable bits of interrupts IRQ_0 and IRQ_1 are cleared to 0, or if these interrupts are masked in the CPU.

Exit by $\overline{\text{RES}}$ Input: When the $\overline{\text{RES}}$ input goes low, the clock oscillator starts and clock pulses are supplied immediately to the entire chip. The $\overline{\text{RES}}$ signal must be held low long enough for the clock oscillator to stabilize. When $\overline{\text{RES}}$ goes high, the CPU starts reset exception handling.

Exit by $\overline{\text{STBY}}$ Input: Low input at the $\overline{\text{STBY}}$ pin causes a transition to hardware standby mode.

17.4.3 Selection of Oscillator Waiting Time after Exit from Software Standby Mode

Bits STS2 to STS0 in SYSCR, and its DIV1 and DIV0 in DIVCR should be set as follows.

Crystal Resonator

Set STS2 to STS0, and DIV1 and DIV0 so that the waiting time (for the clock to stabilize) is at least 7 ms. Table 17.3 indicates the waiting times that are selected by STS2 to STS0, and DIV1 and DIV0 settings at various system clock frequencies.

External Clock

Any value may be set.

Table 17.3 Clock Frequency and Waiting Time for Clock to Settle

| DIV1 | DIV0 | STS2 | STS1 | STS0 | Waiting Time | 18 MHz | 16 MHz | 12 MHz | 10 MHz | 8 MHz | 6 MHz | 4 MHz | 2 MHz | 1 MHz | Unit |
|------|------|------|------|------|-----------------|------------|------------|-------------|-------------|------------|-------------|-------------|-------------|-------------|------|
| | | | | | | | | | | | | | | | |
| 0 | 0 | 0 | 0 | 0 | 8192 states | 0.46 | 0.51 | 0.65 | 0.8 | 1.0 | 1.3 | 2.0 | 4.1 | <u>8.2</u> | ms |
| | | 0 | 0 | 1 | 16384 states | 0.91 | 1.0 | 1.3 | 1.6 | 2.0 | 2.7 | 4.1 | <u>8.2</u> | 16.4 | |
| | | 0 | 1 | 0 | 32768 states | 1.8 | 2.0 | 2.7 | 3.3 | 4.1 | 5.5 | <u>8.2</u> | 16.4 | 32.8 | |
| | | 0 | 1 | 1 | 65536 states | 3.6 | 4.1 | 5.5 | 6.6 | <u>8.2</u> | <u>10.9</u> | 16.4 | 32.8 | 65.5 | |
| | | 1 | 0 | 0 | 131072 states | <u>7.3</u> | <u>8.2</u> | <u>10.9</u> | <u>13.1</u> | 16.4 | 21.8 | 32.8 | 65.5 | 131.1 | |
| | | 1 | 0 | 1 | 1024 states | 0.057 | 0.064 | 0.085 | 0.10 | 0.13 | 0.17 | 0.26 | 0.51 | 1.0 | |
| | | 1 | 1 | — | Illegal setting | | | | | | | | | | |
| 0 | 1 | 0 | 0 | 0 | 8192 states | 0.91 | 1.02 | 1.4 | 1.6 | 2.0 | 2.7 | 4.1 | <u>8.2</u> | <u>16.4</u> | ms |
| | | 0 | 0 | 1 | 16384 states | 1.8 | 2.0 | 2.7 | 3.3 | 4.1 | 5.5 | <u>8.2</u> | 16.4 | 32.8 | |
| | | 0 | 1 | 0 | 32768 states | 3.6 | 4.1 | 5.5 | 6.6 | <u>8.2</u> | <u>10.9</u> | 16.4 | 32.8 | 65.5 | |
| | | 0 | 1 | 1 | 65536 states | <u>7.3</u> | <u>8.2</u> | <u>10.9</u> | <u>13.1</u> | 16.4 | 21.8 | 32.8 | 65.5 | 131.1 | |
| | | 1 | 0 | 0 | 131072 states | 14.6 | 16.4 | 21.8 | 26.2 | 32.8 | 43.7 | 65.5 | 131.1 | 262.1 | |
| | | 1 | 0 | 1 | 1024 states | 0.11 | 0.13 | 0.17 | 0.20 | 0.26 | 0.34 | 0.51 | 1.0 | 2.0 | |
| | | 1 | 1 | — | Illegal setting | | | | | | | | | | |
| 1 | 0 | 0 | 0 | 0 | 8192 states | 1.8 | 2.0 | 2.7 | 3.3 | 4.1 | 5.5 | <u>8.2</u> | <u>16.4</u> | <u>32.8</u> | ms |
| | | 0 | 0 | 1 | 16384 states | 3.6 | 4.1 | 5.5 | 6.6 | <u>8.2</u> | <u>10.9</u> | 16.4 | 32.8 | 65.5 | |
| | | 0 | 1 | 0 | 32768 states | <u>7.3</u> | <u>8.2</u> | <u>10.9</u> | <u>13.1</u> | 16.4 | 21.8 | 32.8 | 65.5 | 131.1 | |
| | | 0 | 1 | 1 | 65536 states | 14.6 | 16.4 | 21.8 | 26.2 | 32.8 | 43.7 | 65.5 | 131.1 | 262.1 | |
| | | 1 | 0 | 0 | 131072 states | 29.1 | 32.8 | 43.7 | 52.4 | 65.5 | 87.4 | 131.1 | 262.1 | 524.3 | |
| | | 1 | 0 | 1 | 1024 states | 0.23 | 0.26 | 0.34 | 0.41 | 0.51 | 0.68 | 1.02 | 2.0 | 4.1 | |
| | | 1 | 1 | — | Illegal setting | | | | | | | | | | |
| 1 | 1 | 0 | 0 | 0 | 8192 states | 3.6 | 4.1 | 5.5 | 6.6 | <u>8.2</u> | <u>10.9</u> | <u>16.4</u> | <u>32.8</u> | 65.5 | ms |
| | | 0 | 0 | 1 | 16384 states | <u>7.3</u> | <u>8.2</u> | <u>10.9</u> | <u>13.1</u> | 16.4 | 21.8 | 32.8 | 65.5 | 131.1 | |
| | | 0 | 1 | 0 | 32768 states | 14.6 | 16.4 | 21.8 | 26.2 | 32.8 | 43.7 | 65.5 | 131.1 | 262.1 | |
| | | 0 | 1 | 1 | 65536 states | 29.1 | 32.8 | 43.7 | 52.4 | 65.5 | 87.4 | 131.1 | 262.1 | 524.3 | |
| | | 1 | 0 | 0 | 131072 states | 58.3 | 65.5 | 87.4 | 104.9 | 131.1 | 174.8 | 262.1 | 524.3 | 1048.6 | |
| | | 1 | 0 | 1 | 1024 states | 0.46 | 0.51 | 0.68 | 0.82 | 1.0 | 1.4 | 2.0 | 4.1 | <u>8.2</u> | |
| | | 1 | 1 | — | Illegal setting | | | | | | | | | | |

: Recommended setting

17.4.4 Sample Application of Software Standby Mode

Figure 17.1 shows an example in which software standby mode is entered at the fall of NMI and exited at the rise of NMI.

With the NMI edge select bit (NMIEG) cleared to 0 in SYSCR (selecting the falling edge), an NMI interrupt occurs. Next the NMIEG bit is set to 1 (selecting the rising edge) and the SSBY bit is set to 1; then the SLEEP instruction is executed to enter software standby mode.

Software standby mode is exited at the next rising edge of the NMI signal.

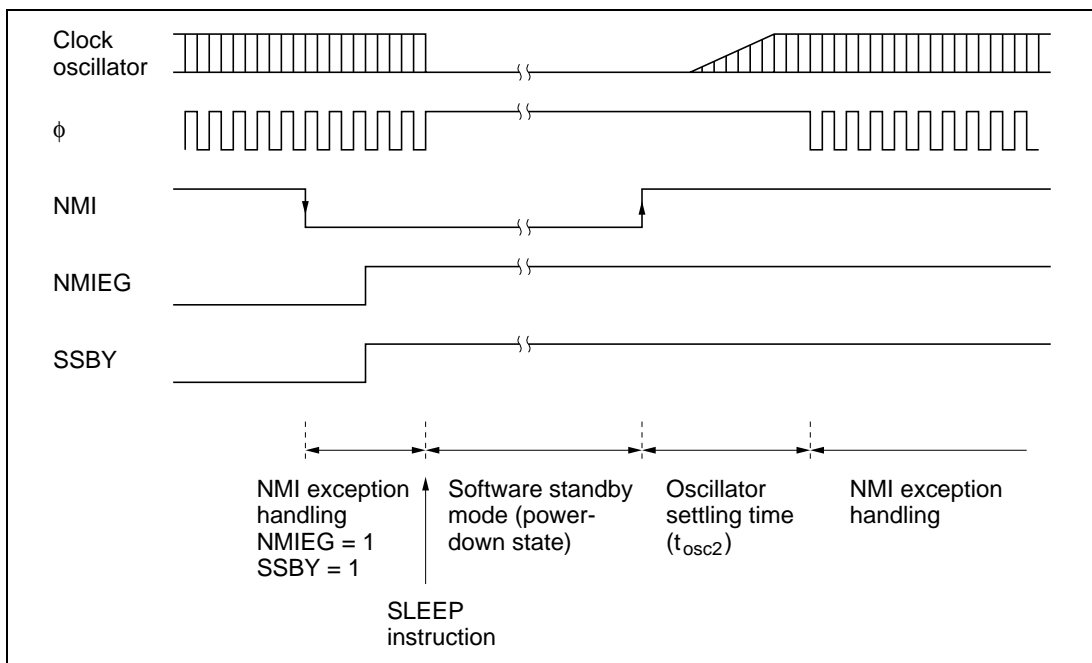


Figure 17.1 NMI Timing for Software Standby Mode (Example)

17.4.5 Usage Note

The I/O ports retain their existing states in software standby mode. If a port is in the high output state, its output current is not reduced.

17.5 Hardware Standby Mode

17.5.1 Transition to Hardware Standby Mode

Regardless of its current state, the chip enters hardware standby mode whenever the $\overline{\text{STBY}}$ pin goes low. Hardware standby mode reduces power consumption drastically by halting all functions of the CPU and on-chip supporting modules. All modules are reset except the on-chip RAM. As long as the specified voltage is supplied, on-chip RAM data is retained. I/O ports are placed in the high-impedance state.

Clear the RAME bit to 0 in SYSCR before $\overline{\text{STBY}}$ goes low to retain on-chip RAM data.

The inputs at the mode pins (MD_2 to MD_0) should not be changed during hardware standby mode.

17.5.2 Exit from Hardware Standby Mode

Hardware standby mode is exited by inputs at the $\overline{\text{STBY}}$ and $\overline{\text{RES}}$ pins. While $\overline{\text{RES}}$ is low, when $\overline{\text{STBY}}$ goes high, the clock oscillator starts running. $\overline{\text{RES}}$ should be held low long enough for the clock oscillator to settle. When $\overline{\text{RES}}$ goes high, reset exception handling begins, followed by a transition to the program execution state.

17.5.3 Timing for Hardware Standby Mode

Figure 17.2 shows the timing relationships for hardware standby mode. To enter hardware standby mode, first drive $\overline{\text{RES}}$ low, then drive $\overline{\text{STBY}}$ low. To exit hardware standby mode, first drive $\overline{\text{STBY}}$ high, wait for the clock to settle, then bring $\overline{\text{RES}}$ from low to high.

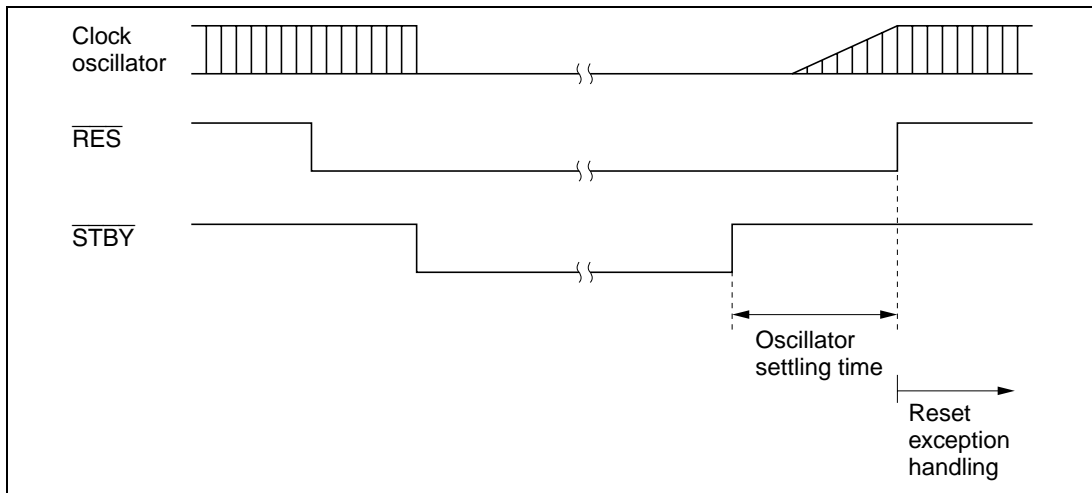


Figure 17.2 Hardware Standby Mode Timing

17.6 Module Standby Function

17.6.1 Module Standby Timing

The module standby function can halt several of the on-chip supporting modules (the ITU, SCIO, SCII, and A/D converter) independently of the power-down state. This standby function is controlled by bits MSTOP5 to MSTOP3 and MSTOP0 in MSTCR. When one of these bits is set to 1, the corresponding on-chip supporting module is placed in standby and halts at the beginning of the next bus cycle after the MSTCR write cycle.

17.6.2 Read/Write in Module Standby

When an on-chip supporting module is in module standby, read/write access to its registers is disabled. Read access always results in H'FF data. Write access is ignored.

17.6.3 Usage Notes

When using the module standby function, note the following points.

Cancellation of Interrupt Handling: When an on-chip supporting module is placed in standby by the module standby function, its registers are initialized, including registers with interrupt request flags. Consequently, if an interrupt occurs just before the MSTOP bit is set to 1, the interrupt will not be recognized. The interrupt source will not be held pending.

Pin States: Pins used by an on-chip supporting module lose their module functions when the module is placed in module standby. What happens after that depends on the particular pin. For details, see section 7, I/O Ports. Pins that change from the input to the output state require special care. For example, if SCII is placed in module standby, the receive data pin loses its receive data function and becomes a generic I/O pin. If its data direction bit is set to 1, the pin becomes a data output pin, and its output may collide with external serial data. Data collisions should be prevented by clearing the data direction bit to 0 or taking other appropriate action.

Register Resetting: When an on-chip supporting module is halted by the module standby function, all its registers are initialized. To restart the module, after its MSTOP bit is cleared to 0, its registers must be set up again. It is not possible to write to the registers while the MSTOP bit is set to 1.

17.7 System Clock Output Disabling Function

Output of the system clock (ϕ) can be controlled by the PSTOP bit in MSTCR. When the PSTOP bit is set to 1, output of the system clock halts and the ϕ pin is placed in the high-impedance state. Figure 17.3 shows the timing of the stopping and starting of system clock output. When the PSTOP bit is cleared to 0, output of the system clock is enabled. Table 17.4 indicates the state of the ϕ pin in various operating states.

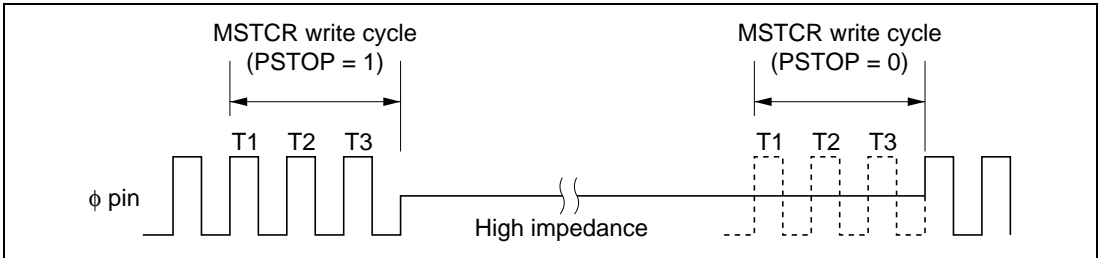


Figure 17.3 Starting and Stopping of System Clock Output

Table 17.4 ϕ Pin State in Various Operating States

| Operating State | PSTOP = 0 | PSTOP = 1 |
|------------------|---------------------|----------------|
| Hardware standby | High impedance | High impedance |
| Software standby | Always high | High impedance |
| Sleep mode | System clock output | High impedance |
| Normal operation | System clock output | High impedance |

Section 18 Electrical Characteristics

18.1 Electrical Characteristics of Mask ROM Version

18.1.1 Absolute Maximum Ratings

Table 18.1 lists the absolute maximum ratings.

Table 18.1 Absolute Maximum Ratings

| Item | Symbol | Value | Unit |
|--------------------------------|-----------|---------------------------------------|------|
| Power supply voltage | V_{CC} | -0.3 to +7.0 | V |
| Input voltage (except port 7)* | V_{in} | -0.3 to $V_{CC} + 0.3$ | V |
| Input voltage (port 7) | V_{in} | -0.3 to $AV_{CC} + 0.3$ | V |
| Analog power supply voltage | AV_{CC} | -0.3 to +7.0 | V |
| Analog input voltage | V_{AN} | -0.3 to $AV_{CC} + 0.3$ | V |
| Operating temperature | T_{opr} | Regular specifications: -20 to +75 | °C |
| | | Wide-range specifications: -40 to +85 | °C |
| Storage temperature | T_{stg} | -55 to +125 | °C |

Caution: Permanent damage to the chip may result if absolute maximum ratings are exceeded.

Note: * 12 V must not be applied to any pin, as this will cause permanent damage to the chip.

18.1.2 DC Characteristics

Table 18.2 lists the DC characteristics. Table 18.3 lists the permissible output currents.

Table 18.2 DC Characteristics (1)

Conditions: $V_{CC} = 5.0 \text{ V} \pm 10\%$, $AV_{CC} = 5.0 \text{ V} \pm 10\%$, $V_{SS} = AV_{SS} = 0 \text{ V}^{*1}$, $T_a = -20^\circ\text{C}$ to $+75^\circ\text{C}$ (regular specifications), $T_a = -40^\circ\text{C}$ to $+85^\circ\text{C}$ (wide-range specifications)

| Item | Symbol | Min | Typ | Max | Unit | Test Conditions | | |
|--------------------------------|--|-----------------|---------------------|-----|---------------------|-----------------|-----------------------------|---------------------------|
| Schmitt trigger input voltages | Port A, | V_T^- | 1.0 | — | — | V | | |
| | $P8_0$ to $P8_1$, | V_T^+ | — | — | $V_{CC} \times 0.7$ | V | | |
| | PB_0 to PB_3 | $V_T^+ - V_T^-$ | 0.4 | — | — | V | | |
| Input high voltage | \overline{RES} , \overline{STBY} , NMI, MD_2 , MD_1 , MD_0 | V_{IH} | $V_{CC} - 0.7$ | — | $V_{CC} + 0.3$ | V | | |
| | EXTAL | | $V_{CC} \times 0.7$ | — | $V_{CC} + 0.3$ | V | | |
| | Port 7 | | 2.0 | — | $AV_{CC} + 0.3$ | V | | |
| | Ports 1, 2, 3, 5, 6, 9, PB_4 , PB_5 , PB_7 | | 2.0 | — | $V_{CC} + 0.3$ | V | | |
| Input low voltage | \overline{RES} , \overline{STBY} , MD_2 , MD_1 , MD_0 | V_{IL} | -0.3 | — | 0.5 | V | | |
| | NMI, EXTAL, ports 1, 2, 3, 5, 6, 7, 9, PB_4 , PB_5 , PB_7 | | -0.3 | — | 0.8 | V | | |
| Output high voltage | All output pins (except \overline{RESO}) | V_{OH} | $V_{CC} - 0.5$ | — | — | V | $I_{OH} = -200 \mu\text{A}$ | |
| | | | 3.5 | — | — | V | $I_{OH} = -1 \text{ mA}$ | |
| Output low voltage | All output pins (except \overline{RESO}) | V_{OL} | — | — | 0.4 | V | $I_{OL} = 1.6 \text{ mA}$ | |
| | | | Ports 1, 2, 5, B | — | — | 1.0 | V | $I_{OL} = 10 \text{ mA}$ |
| | | | \overline{RESO} | — | — | 0.4 | V | $I_{OL} = 2.6 \text{ mA}$ |

| Item | | Symbol | Min | Typ | Max | Unit | Test Conditions | |
|---|---|-------------|-----|------|------|------|---|-----------------------------|
| Input leakage current | $\overline{\text{STBY}}$, NMI, $\overline{\text{RES}}$, MD ₂ , MD ₁ , MD ₀ | $ I_{in} $ | — | — | 1.0 | μA | $V_{in} = 0.5$ to $V_{CC} - 0.5$ V | |
| | Port 7 | | — | — | 1.0 | μA | $V_{in} = 0.5$ to $AV_{CC} - 0.5$ V | |
| Three-state leakage current (off state) | Ports 1, 2, 3, 5, 6, 8 to B | $ I_{TSI} $ | — | — | 1.0 | μA | $V_{in} = 0.5$ to $V_{CC} - 0.5$ V | |
| | $\overline{\text{RESO}}$ | | — | — | 10.0 | μA | | |
| Input pull-up MOS current | Ports 2, 5 | $-I_p$ | 50 | — | 300 | μA | $V_{in} = 0$ V | |
| Input capacitance | NMI, $\overline{\text{RES}}$ | C_{in} | — | — | 50 | pF | $V_{in} = 0$ V, $f = 1$ MHz, $T_a = 25^\circ\text{C}$ | |
| | All input pins except NMI and $\overline{\text{RES}}$ | | — | — | 20 | | | |
| Current dissipation* ² | Normal operation | I_{CC} | — | 50 | 70 | mA | $f = 18$ MHz | |
| | Sleep mode | | — | 35 | 50 | | $f = 18$ MHz | |
| | Standby mode* ³ | | | — | 0.01 | 5.0 | μA | $T_a \leq 50^\circ\text{C}$ |
| | | | | — | — | 20.0 | | $50^\circ\text{C} < T_a$ |
| Analog power supply current | During A/D conversion | AI_{CC} | — | 1.7 | 2.8 | mA | | |
| | Idle | | — | 0.02 | 10.0 | μA | | |
| RAM standby voltage | | V_{RAM} | 2.0 | — | — | V | | |

Notes: 1. If the A/D converter is not used, do not leave the AV_{CC} and AV_{SS} pins open.

Connect AV_{CC} to V_{CC} , and connect AV_{SS} to V_{SS} .

2. Current dissipation values are for $V_{IH} \text{ min} = V_{CC} - 0.5$ V and $V_{IL} \text{ max} = 0.5$ V with all output pins unloaded and the on-chip pull-up transistors in the off state.
3. The values are for $V_{RAM} \leq V_{CC} < 4.5$ V, $V_{IH} \text{ min} = V_{CC} \times 0.9$, and $V_{IL} \text{ max} = 0.3$ V.

Table 18.2 DC Characteristics (2)

Conditions: $V_{CC} = 2.7\text{ V to }5.5\text{ V}$, $AV_{CC} = 2.7\text{ V to }5.5\text{ V}$, $V_{SS} = AV_{SS} = 0\text{ V}^{*1}$, $T_a = -20^\circ\text{C to }+75^\circ\text{C}$ (regular specifications), $T_a = -40^\circ\text{C to }+85^\circ\text{C}$ (wide-range specifications)

| Item | Symbol | Min | Typ | Max | Unit | Test Conditions | |
|--------------------------------|---|-----------------|----------------------|-----|----------------------------|---------------------------|---|
| Schmitt trigger input voltages | Port A, $P8_0$ to $P8_1$, PB_0 to PB_3 | V_T^- | $V_{CC} \times 0.2$ | — | — | V | |
| | | V_T^+ | — | — | $V_{CC} \times 0.7$ | V | |
| | | $V_T^+ - V_T^-$ | $V_{CC} \times 0.04$ | — | — | V | |
| Input high voltage | \overline{RES} , \overline{STBY} , NMI , MD_2 , MD_1 , MD_0 | V_{IH} | $V_{CC} \times 0.9$ | — | $V_{CC} + 0.3$ | V | |
| | $EXTAL$ | | $V_{CC} \times 0.7$ | — | $V_{CC} + 0.3$ | V | |
| | Port 7 | | $V_{CC} \times 0.7$ | — | $AV_{CC} + 0.3$ | V | |
| | Ports 1, 2, 3, 5, 6, 9, PB_4 , PB_5 , PB_7 | | $V_{CC} \times 0.7$ | — | $V_{CC} + 0.3$ | V | |
| Input low voltage | \overline{RES} , \overline{STBY} , MD_2 , MD_1 , MD_0 | V_{IL} | -0.3 | — | $V_{CC} \times 0.1$ | V | |
| | NMI , $EXTAL$, ports 1, 2, 3, 5, 6, 7, 9, PB_4 , PB_5 , PB_7 | | -0.3 | — | $V_{CC} \times 0.2$ 0.8 | V V 4.0 V to 5.5 V | |
| Output high voltage | All output pins (except \overline{RESO}) | V_{OH} | $V_{CC} - 0.5$ | — | — | V | $I_{OH} = -200\ \mu\text{A}$ |
| | | | $V_{CC} - 1.0$ | — | — | V | $I_{OH} = -1\ \text{mA}$ |
| Output low voltage | All output pins (except \overline{RESO}) | V_{OL} | — | — | 0.4 | V | $I_{OL} = 1.0\ \text{mA}$ |
| | | | Ports 1, 2, 5, B | — | — | 1.0 | V |
| | \overline{RESO} | — | — | 0.4 | V | $I_{OL} = 1.6\ \text{mA}$ | |
| Input leakage current | \overline{STBY} , NMI , \overline{RES} , MD_2 , MD_1 , MD_0 | $ I_{in} $ | — | — | 1.0 | μA | $V_{in} = 0.5\ \text{V to }V_{CC} - 0.5\ \text{V}$ |
| | Port 7 | | — | — | 1.0 | μA | $V_{in} = 0.5\ \text{V to }AV_{CC} - 0.5\ \text{V}$ |

| Item | | Symbol | Min | Typ | Max | Unit | Test Conditions |
|---|---|---------------|-----|---------------|-----------------|---------------|---|
| Three-state leakage current (off state) | Ports 1, 2, 3, 5, 6, 8, 9, A, B | $ I_{TSI} $ | — | — | 1.0 | μA | $V_{in} = 0.5 \text{ V}$ to $V_{CC} - 0.5 \text{ V}$ |
| | $\overline{\text{RESO}}$ | | — | — | 10.0 | μA | |
| Input pull-up MOS current | Ports 2, 5 | $-I_p$ | 10 | — | 300 | μA | $V_{CC} = 2.7 \text{ V}$ to 5.5 V , $V_{in} = 0 \text{ V}$ |
| Input capacitance | NMI, $\overline{\text{RES}}$ | C_{in} | — | — | 50 | pF | $V_{in} = 0 \text{ V}$, $f = 1 \text{ MHz}$, $T_a = 25^\circ\text{C}$ |
| | All input pins except NMI and $\overline{\text{RES}}$ | | — | — | 20 | | |
| Current dissipation* ² | Normal operation | I_{CC}^{*4} | — | 12 (3.0 V) | 33.8 (5.5 V) | mA | $f = 8 \text{ MHz}$ |
| | Sleep mode | | — | 8 (3.0 V) | 25.0 (5.5 V) | mA | $f = 8 \text{ MHz}$ |
| | Standby mode* ³ | | | — | 0.01 | 5.0 | μA |
| | | | — | — | 20.0 | μA | $50^\circ\text{C} < T_a$ |
| Analog power supply current | During A/D conversion | AI_{CC} | — | 1.3 | 2.5 | mA | $AV_{CC} = 3.0 \text{ V}$ |
| | | | — | 1.7 | 2.8 | mA | $AV_{CC} = 5.0 \text{ V}$ |
| | Idle | | — | 0.02 | 10.0 | μA | |
| RAM standby voltage | | V_{RAM} | 2.0 | — | — | V | |

Notes: 1. If the A/D converter is not used, do not leave the AV_{CC} and AV_{SS} pins open.

Connect AV_{CC} to V_{CC} , and connect AV_{SS} to V_{SS} .

- Current dissipation values are for $V_{IH} \text{ min} = V_{CC} - 0.5 \text{ V}$ and $V_{IL} \text{ max} = 0.5 \text{ V}$ with all output pins unloaded and the on-chip pull-up MOS transistors in the off state.
- The values are for $V_{RAM} \leq V_{CC} < 2.7 \text{ V}$, $V_{IH} \text{ min} = V_{CC} \times 0.9$, and $V_{IL} \text{ max} = 0.3 \text{ V}$.
- I_{CC} depends on V_{CC} and f as follows:
 $I_{CC} \text{ max} = 3.0 \text{ (mA)} + 0.7 \text{ (mA/MHz} \cdot \text{V)} \times V_{CC} \times f$ [normal mode]
 $I_{CC} \text{ max} = 3.0 \text{ (mA)} + 0.5 \text{ (mA/MHz} \cdot \text{V)} \times V_{CC} \times f$ [sleep mode]

Table 18.2 DC Characteristics (3)

Conditions: $V_{CC} = 3.0\text{ V to }5.5\text{ V}$, $AV_{CC} = 3.0\text{ V to }5.5\text{ V}$, $V_{SS} = AV_{SS} = 0\text{ V}^{*1}$, $T_a = -20^{\circ}\text{C to }+75^{\circ}\text{C}$ (regular specifications), $T_a = -40^{\circ}\text{C to }+85^{\circ}\text{C}$ (wide-range specifications)

| Item | Symbol | Min | Typ | Max | Unit | Test Conditions | |
|--------------------------------|--|-----------------|----------------------|-----|----------------------------|--------------------------|--|
| Schmitt trigger input voltages | Port A, $P8_0$ to $P8_1$, PB_0 to PB_3 | V_T^- | $V_{CC} \times 0.2$ | — | — | V | |
| | | V_T^+ | — | — | $V_{CC} \times 0.7$ | V | |
| | | $V_T^+ - V_T^-$ | $V_{CC} \times 0.04$ | — | — | V | |
| Input high voltage | \overline{RES} , \overline{STBY} , NMI , MD_2 , MD_1 , MD_0 | V_{IH} | $V_{CC} \times 0.9$ | — | $V_{CC} + 0.3$ | V | |
| | \overline{EXTAL} | | $V_{CC} \times 0.7$ | — | $V_{CC} + 0.3$ | V | |
| | Port 7 | | $V_{CC} \times 0.7$ | — | $AV_{CC} + 0.3$ | V | |
| | Ports 1, 2, 3, 5, 6, 9, PB_4 , PB_5 , PB_7 | | $V_{CC} \times 0.7$ | — | $V_{CC} + 0.3$ | V | |
| Input low voltage | \overline{RES} , \overline{STBY} , MD_2 , MD_1 , MD_0 | V_{IL} | -0.3 | — | $V_{CC} \times 0.1$ | V | |
| | NMI , \overline{EXTAL} , ports 1, 2, 3, 5, 6, 7, 9, PB_4 , PB_5 , PB_7 | | -0.3 | — | $V_{CC} \times 0.2$ 0.8 | V V | $V_{CC} < 4.0\text{ V}$ $V_{CC} = 4.0\text{ V to }5.5\text{ V}$ |
| Output high voltage | All output pins (except \overline{RESO}) | V_{OH} | $V_{CC} - 0.5$ | — | — | V | $I_{OH} = -200\text{ }\mu\text{A}$ |
| | | | $V_{CC} - 1.0$ | — | — | V | $I_{OH} = -1\text{ mA}$ |
| Output low voltage | All output pins (except \overline{RESO}) | V_{OL} | — | — | 0.4 | V | $I_{OL} = 1.0\text{ mA}$ |
| | | | Ports 1, 2, 5, B | — | — | 1.0 | V |
| | \overline{RESO} | — | — | 0.4 | V | $I_{OL} = 1.6\text{ mA}$ | |
| Input leakage current | \overline{STBY} , NMI , \overline{RES} , MD_2 , MD_1 , MD_0 | $ I_{in} $ | — | — | 1.0 | μA | $V_{in} = 0.5\text{ V to }V_{CC} - 0.5\text{ V}$ |
| | Port 7 | | — | — | 1.0 | μA | $V_{in} = 0.5\text{ V to }AV_{CC} - 0.5\text{ V}$ |

| Item | Symbol | Min | Typ | Max | Unit | Test Conditions |
|---|---|---------------|-----|---------------|-----------------|---|
| Three-state leakage current (off state) | Ports 1, 2, 3, 5, 6, 8 to B | $ I_{TSI} $ | — | — | 1.0 | μA $V_{in} = 0.5 \text{ V}$ to $V_{CC} - 0.5 \text{ V}$ |
| | $\overline{\text{RES}}$ | — | — | 10.0 | μA | |
| Input pull-up MOS current | Ports 2, 5 | $-I_p$ | 10 | — | 300 | μA $V_{CC} = 3.0 \text{ V}$ to 5.5 V , $V_{in} = 0 \text{ V}$ |
| Input capacitance | NMI, $\overline{\text{RES}}$ | C_{in} | — | — | 50 | pF $V_{in} = 0 \text{ V}$, $f = 1 \text{ MHz}$, $T_a = 25^\circ\text{C}$ |
| | All input pins except NMI and $\overline{\text{RES}}$ | — | — | — | 20 | |
| Current dissipation* ² | Normal operation | I_{CC}^{*4} | — | 15 (3.0 V) | 41.5 (5.5 V) | mA $f = 10 \text{ MHz}$ |
| | Sleep mode | — | — | 10 (3.0 V) | 30.5 (5.5 V) | mA $f = 10 \text{ MHz}$ |
| | Standby mode* ³ | — | — | — | 0.01 | 5.0 |
| — | | — | — | — | 20.0 | μA $50^\circ\text{C} < T_a$ |
| Analog power supply current | During A/D conversion | AI_{CC} | — | 1.3 | 2.5 | mA $AV_{CC} = 3.0 \text{ V}$ |
| | — | — | — | 1.7 | — | mA $AV_{CC} = 5.0 \text{ V}$ |
| | Idle | — | — | 0.02 | 10.0 | μA |
| RAM standby voltage | V_{RAM} | 2.0 | — | — | V | |

Notes: 1. If the A/D converter is not used, do not leave the AV_{CC} and AV_{SS} pins open.

Connect AV_{CC} to V_{CC} , and connect AV_{SS} to V_{SS} .

- Current dissipation values are for $V_{IH} \text{ min} = V_{CC} - 0.5 \text{ V}$ and $V_{IL} \text{ max} = 0.5 \text{ V}$ with all output pins unloaded and the on-chip pull-up transistors in the off state.
- The values are for $V_{RAM} \leq V_{CC} < 3.0 \text{ V}$, $V_{IH} \text{ min} = V_{CC} \times 0.9$, and $V_{IL} \text{ max} = 0.3 \text{ V}$.
- I_{CC} depends on V_{CC} and f as follows:
 $I_{CC} \text{ max} = 3.0 \text{ (mA)} + 0.7 \text{ (mA/MHz} \cdot \text{V)} \times V_{CC} \times f$ [normal mode]
 $I_{CC} \text{ max} = 3.0 \text{ (mA)} + 0.5 \text{ (mA/MHz} \cdot \text{V)} \times V_{CC} \times f$ [sleep mode]

Table 18.3 Permissible Output Currents

Conditions: $V_{CC} = 2.7\text{ V to }5.5\text{ V}$, $AV_{CC} = 2.7\text{ V to }5.5\text{ V}$, $V_{SS} = AV_{SS} = 0\text{ V}$, $T_a = -20^\circ\text{C to }+75^\circ\text{C}$
(regular specifications), $T_a = -40^\circ\text{C to }+85^\circ\text{C}$ (wide-range specifications)

| Item | | Symbol | Min | Typ | Max | Unit |
|---|---|-----------------|-----|-----|-------------------|------|
| Permissible output low current (per pin) | Ports 1, 2, 5 and B | I_{OL} | — | — | 10 | mA |
| | Other output pins | | — | — | 2.0 | mA |
| Permissible output low current (total) | Total of 27 pins including ports 1, 2, 5 and B | ΣI_{OL} | — | — | 80 | mA |
| | Total of 23 pins, including ports 8, 9, A and B | | — | — | $75^{*2}/65^{*1}$ | mA |
| | Total of all output pins, including the above | | — | — | 120 | mA |
| Permissible output high current (per pin) | All output pins | I_{OH} | — | — | 2.0 | mA |
| Permissible output high current (total) | Total of all output pins | ΣI_{OH} | — | — | 40 | mA |

Notes: To protect chip reliability, do not exceed the output current values in table 18.3.

When driving a Darlington pair or LED, always insert a current-limiting resistor in the output line, as shown in figures 18.1 and 18.2.

1. The value is for conditions: $V_{CC} = 2.7\text{ V to }5.5\text{ V}$, $AV_{CC} = 2.7\text{ V to }5.5\text{ V}$
2. The value is for conditions: $V_{CC} = 4.5\text{ V to }5.5\text{ V}$, $AV_{CC} = 4.5\text{ V to }5.5\text{ V}$

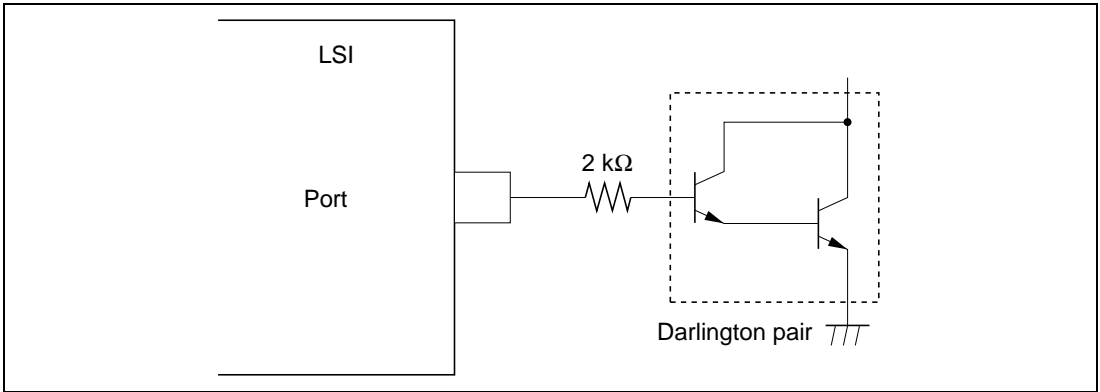


Figure 18.1 Darlington Pair Drive Circuit (Example)

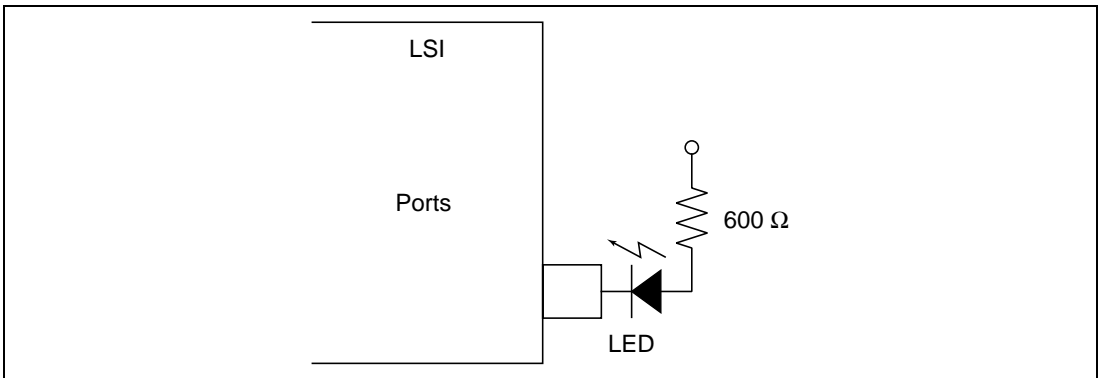


Figure 18.2 LED Drive Circuit (Example)

18.1.3 AC Characteristics

Bus timing parameters are listed in table 18.4. Control signal timing parameters are listed in table 18.5. Timing parameters of the on-chip supporting modules are listed in table 18.6.

Table 18.4 Bus Timing

Condition A: $V_{CC} = 2.7\text{ V to }5.5\text{ V}$, $AV_{CC} = 2.7\text{ V to }5.5\text{ V}$, $V_{SS} = AV_{SS} = 0\text{ V}$, $\phi = 2\text{ MHz to }8\text{ MHz}$, $T_a = -20^\circ\text{C to }+75^\circ\text{C}$ (regular specifications), $T_a = -40^\circ\text{C to }+85^\circ\text{C}$ (wide-range specifications)

Condition B: $V_{CC} = 3.0\text{ V to }5.5\text{ V}$, $AV_{CC} = 3.0\text{ V to }5.5\text{ V}$, $V_{SS} = AV_{SS} = 0\text{ V}$, $\phi = 2\text{ MHz to }10\text{ MHz}$, $T_a = -20^\circ\text{C to }+75^\circ\text{C}$ (regular specifications), $T_a = -40^\circ\text{C to }+85^\circ\text{C}$ (wide-range specifications)

Condition C: $V_{CC} = 5.0\text{ V} \pm 10\%$, $AV_{CC} = 5.0\text{ V} \pm 10\%$, $V_{SS} = AV_{SS} = 0\text{ V}$, $\phi = 2\text{ MHz to }18\text{ MHz}$, $T_a = -20^\circ\text{C to }+75^\circ\text{C}$ (regular specifications), $T_a = -40^\circ\text{C to }+85^\circ\text{C}$ (wide-range specifications)

| Item | Symbol | Condition A | | Condition B | | Condition C | | Unit | Test Conditions |
|---------------------------------|--------------|-------------|-----|-------------|-----|-------------|-----|------|-----------------------------|
| | | 8 MHz | | 10 MHz | | 18 MHz | | | |
| | | Min | Max | Min | Max | Min | Max | | |
| Clock cycle time | t_{cyc} | 125 | 500 | 100 | 500 | 55.5 | 500 | ns | Figure 18.7, Figure 18.8 |
| Clock low pulse width | t_{CL} | 40 | — | 30 | — | 17 | — | | |
| Clock high pulse width | t_{CH} | 40 | — | 30 | — | 17 | — | | |
| Clock rise time | t_{Cr} | — | 20 | — | 15 | — | 10 | | |
| Clock fall time | t_{Cf} | — | 20 | — | 15 | — | 10 | | |
| Address delay time | t_{AD} | — | 60 | — | 50 | — | 25 | | |
| Address hold time | t_{AH} | 25 | — | 20 | — | 10 | — | | |
| Address strobe delay time | t_{ASD} | — | 60 | — | 40 | — | 25 | | |
| Write strobe delay time | t_{WSD} | — | 60 | — | 50 | — | 25 | | |
| Strobe delay time | t_{SD} | — | 60 | — | 50 | — | 25 | | |
| Write data strobe pulse width 1 | t_{WSW1}^* | 85 | — | 60 | — | 32 | — | | |
| Write data strobe pulse width 2 | t_{WSW2}^* | 150 | — | 110 | — | 62 | — | | |
| Address setup time 1 | t_{AS1} | 20 | — | 15 | — | 10 | — | | |
| Address setup time 2 | t_{AS2} | 80 | — | 65 | — | 38 | — | | |
| Read data setup time | t_{RDS} | 50 | — | 35 | — | 15 | — | | |
| Read data hold time | t_{RDH} | 0 | — | 0 | — | 0 | — | | |

| Item | Symbol | Condition A | | Condition B | | Condition C | | Unit | Test Conditions |
|-------------------------|--------------|-------------|-----|-------------|-----|-------------|-----|------|-----------------------------|
| | | 8 MHz | | 10 MHz | | 18 MHz | | | |
| | | Min | Max | Min | Max | Min | Max | | |
| Write data delay time | t_{WDD} | — | 75 | — | 75 | — | 55 | ns | Figure 18.7, Figure 18.8 |
| Write data setup time 1 | t_{WDS1} | 60 | — | 40 | — | 10 | — | | |
| Write data setup time 2 | t_{WDS2} | 5 | — | -10 | — | -10 | — | | |
| Write data hold time | t_{WDH} | 25 | — | 20 | — | 20 | — | | |
| Read data access time 1 | t_{ACC1}^* | — | 120 | — | 100 | — | 50 | | |
| Read data access time 2 | t_{ACC2}^* | — | 240 | — | 200 | — | 105 | | |
| Read data access time 3 | t_{ACC3}^* | — | 70 | — | 50 | — | 20 | | |
| Read data access time 4 | t_{ACC4}^* | — | 180 | — | 150 | — | 80 | | |
| Precharge time | t_{PCH}^* | 85 | — | 60 | — | 40 | — | | |
| Wait setup time | t_{WTS} | 40 | — | 40 | — | 25 | — | | Figure 18.9 |
| Wait hold time | t_{WTH} | 10 | — | 10 | — | 5 | — | | |

Note: * For Condition A, the following times depend on the clock cycle time as shown below.

$$t_{ACC1} = 1.5 \times t_{cyc} - 68 \text{ (ns)}$$

$$t_{WSW1} = 1.0 \times t_{cyc} - 40 \text{ (ns)}$$

$$t_{ACC2} = 2.5 \times t_{cyc} - 73 \text{ (ns)}$$

$$t_{WSW2} = 1.5 \times t_{cyc} - 38 \text{ (ns)}$$

$$t_{ACC3} = 1.0 \times t_{cyc} - 55 \text{ (ns)}$$

$$t_{PCH} = 1.0 \times t_{cyc} - 40 \text{ (ns)}$$

$$t_{ACC4} = 2.0 \times t_{cyc} - 70 \text{ (ns)}$$

For Condition B, the following times depend on the clock cycle time as shown below.

$$t_{ACC1} = 1.5 \times t_{cyc} - 50 \text{ (ns)}$$

$$t_{WSW1} = 1.0 \times t_{cyc} - 40 \text{ (ns)}$$

$$t_{ACC2} = 2.5 \times t_{cyc} - 50 \text{ (ns)}$$

$$t_{WSW2} = 1.5 \times t_{cyc} - 40 \text{ (ns)}$$

$$t_{ACC3} = 1.0 \times t_{cyc} - 50 \text{ (ns)}$$

$$t_{PCH} = 1.0 \times t_{cyc} - 40 \text{ (ns)}$$

$$t_{ACC4} = 2.0 \times t_{cyc} - 50 \text{ (ns)}$$

For Condition C, the following times depend on the clock cycle time as shown below.

$$t_{ACC1} = 1.5 \times t_{cyc} - 34 \text{ (ns)}$$

$$t_{WSW1} = 1.0 \times t_{cyc} - 24 \text{ (ns)}$$

$$t_{ACC2} = 2.5 \times t_{cyc} - 34 \text{ (ns)}$$

$$t_{WSW2} = 1.5 \times t_{cyc} - 22 \text{ (ns)}$$

$$t_{ACC3} = 1.0 \times t_{cyc} - 36 \text{ (ns)}$$

$$t_{PCH} = 1.0 \times t_{cyc} - 21 \text{ (ns)}$$

$$t_{ACC4} = 2.0 \times t_{cyc} - 31 \text{ (ns)}$$

Table 18.5 Control Signal Timing

Condition A: $V_{CC} = 2.7\text{ V to }5.5\text{ V}$, $AV_{CC} = 2.7\text{ V to }5.5\text{ V}$, $V_{SS} = AV_{SS} = 0\text{ V}$, $\phi = 2\text{ MHz to }8\text{ MHz}$, $T_a = -20^\circ\text{C to }+75^\circ\text{C}$ (regular specifications), $T_a = -40^\circ\text{C to }+85^\circ\text{C}$ (wide-range specifications)

Condition B: $V_{CC} = 3.0\text{ V to }5.5\text{ V}$, $AV_{CC} = 3.0\text{ V to }5.5\text{ V}$, $V_{SS} = AV_{SS} = 0\text{ V}$, $\phi = 2\text{ MHz to }10\text{ MHz}$, $T_a = -20^\circ\text{C to }+75^\circ\text{C}$ (regular specifications), $T_a = -40^\circ\text{C to }+85^\circ\text{C}$ (wide-range specifications)

Condition C: $V_{CC} = 5.0\text{ V} \pm 10\%$, $AV_{CC} = 5.0\text{ V} \pm 10\%$, $V_{SS} = AV_{SS} = 0\text{ V}$, $\phi = 2\text{ MHz to }18\text{ MHz}$, $T_a = -20^\circ\text{C to }+75^\circ\text{C}$ (regular specifications), $T_a = -40^\circ\text{C to }+85^\circ\text{C}$ (wide-range specifications)

| Item | Symbol | Condition A | | Condition B | | Condition C | | Unit | Test Conditions |
|---|--------------------|-------------|-----|-------------|-----|-------------|-----|------|-----------------|
| | | 8 MHz | | 10 MHz | | 18 MHz | | | |
| | | Min | Max | Min | Max | Min | Max | | |
| $\overline{\text{RES}}$ setup time | t_{RESS} | 200 | — | 200 | — | 200 | — | ns | Figure 18.10 |
| $\overline{\text{RES}}$ pulse width | t_{RESW} | 10 | — | 10 | — | 10 | — | tcyc | |
| Mode programming setup time (MD_0 , MD_1 , MD_2) | t_{MDS} | 200 | — | 200 | — | 200 | — | ns | |
| $\overline{\text{RESO}}$ output delay time | t_{RESD} | — | 100 | — | 100 | — | 100 | ns | Figure 18.11 |
| $\overline{\text{RESO}}$ output pulse width | t_{RESOW} | 132 | — | 132 | — | 132 | — | tcyc | |
| NMI setup time (NMI , $\overline{\text{IRQ}}_0$, $\overline{\text{IRQ}}_1$, $\overline{\text{IRQ}}_4$, $\overline{\text{IRQ}}_5$) | t_{NMIS} | 200 | — | 200 | — | 150 | — | ns | Figure 18.12 |
| NMI hold time (NMI , $\overline{\text{IRQ}}_0$, $\overline{\text{IRQ}}_1$, $\overline{\text{IRQ}}_4$, $\overline{\text{IRQ}}_5$) | t_{NMIH} | 10 | — | 10 | — | 10 | — | | |
| Interrupt pulse width (NMI , $\overline{\text{IRQ}}_1$, $\overline{\text{IRQ}}_0$ when exiting software standby mode) | t_{NMIW} | 200 | — | 200 | — | 200 | — | | |
| Clock oscillator settling time at reset (crystal) | t_{OSC1} | 20 | — | 20 | — | 20 | — | ms | Figure 18.13 |
| Clock oscillator settling time in software standby (crystal) | t_{OSC2} | 8 | — | 8 | — | 7 | — | ms | Figure 17.1 |

Table 18.6 Timing of On-Chip Supporting Modules

Condition A: $V_{CC} = 2.7\text{ V to }5.5\text{ V}$, $AV_{CC} = 2.7\text{ V to }5.5\text{ V}$, $V_{SS} = AV_{SS} = 0\text{ V}$, $\phi = 2\text{ MHz to }8\text{ MHz}$, $T_a = -20^\circ\text{C to }+75^\circ\text{C}$ (regular specifications), $T_a = -40^\circ\text{C to }+85^\circ\text{C}$ (wide-range specifications)

Condition B: $V_{CC} = 3.0\text{ V to }5.5\text{ V}$, $AV_{CC} = 3.0\text{ V to }5.5\text{ V}$, $V_{SS} = AV_{SS} = 0\text{ V}$, $\phi = 2\text{ MHz to }10\text{ MHz}$, $T_a = -20^\circ\text{C to }+75^\circ\text{C}$ (regular specifications), $T_a = -40^\circ\text{C to }+85^\circ\text{C}$ (wide-range specifications)

Condition C: $V_{CC} = 5.0\text{ V} \pm 10\%$, $AV_{CC} = 5.0\text{ V} \pm 10\%$, $V_{SS} = AV_{SS} = 0\text{ V}$, $\phi = 2\text{ MHz to }18\text{ MHz}$, $T_a = -20^\circ\text{C to }+75^\circ\text{C}$ (regular specifications), $T_a = -40^\circ\text{C to }+85^\circ\text{C}$ (wide-range specifications)

| Item | Symbol | Condition A | | Condition B | | Condition C | | Unit | Test Conditions | | |
|------|------------------------------|--------------|-------------|-------------|-----|-------------|-----|------|-----------------|--------------|-----------|
| | | 8 MHz | Max | 10 MHz | Max | 18 MHz | Max | | | | |
| ITU | Timer output delay time | t_{TODD} | — | 100 | — | 100 | — | 100 | ns | Figure 18.15 | |
| | Timer input setup time | t_{TICS} | 50 | — | 50 | — | 50 | — | | | |
| | Timer clock input setup time | t_{TCKS} | 50 | — | 50 | — | 50 | — | | Figure 18.16 | |
| | Timer clock pulse width | Single edge | t_{TCKWH} | 1.5 | — | 1.5 | — | 1.5 | — | | t_{cyc} |
| | | Both edges | t_{TCKWL} | 2.5 | — | 2.5 | — | 2.5 | — | | |
| SCI | Input clock cycle | Asynchronous | t_{Soyc} | 4 | — | 4 | — | 4 | — | Figure 18.17 | |
| | | Synchronous | | 6 | — | 6 | — | 6 | — | | |
| | Input clock rise time | t_{SCKr} | — | 1.5 | — | 1.5 | — | 1.5 | | | |
| | Input clock fall time | t_{SCKf} | — | 1.5 | — | 1.5 | — | 1.5 | | | |
| | Input clock pulse width | t_{SCKW} | 0.4 | 0.6 | 0.4 | 0.6 | 0.4 | 0.6 | t_{Soyc} | | |

| Item | Symbol | Condition A | | Condition B | | Condition C | | Unit | Test Conditions | |
|---------------|---|-------------|-----|-------------|-----|-------------|-----|------|-----------------|--------------|
| | | 8 MHz | | 10 MHz | | 18 MHz | | | | |
| | | Min | Max | Min | Max | Min | Max | | | |
| SCI | Transmit data delay time | t_{TXD} | — | 100 | — | 100 | — | 100 | ns | Figure 18.18 |
| | Receive data setup time (synchronous) | t_{RXS} | 100 | — | 100 | — | 100 | — | | |
| | Receive data hold time (synchronous clock input) | t_{RXH} | 100 | — | 100 | — | 100 | — | | |
| | Receive data hold time (synchronous clock output) | | 0 | — | 0 | — | 0 | — | | |
| Ports and TPC | Output data delay time | t_{PWD} | — | 100 | — | 100 | — | 100 | ns | Figure 18.14 |
| | Input data setup time | t_{PRS} | 50 | — | 50 | — | 50 | — | | |
| | Input data hold time | t_{PRH} | 50 | — | 50 | — | 50 | — | | |

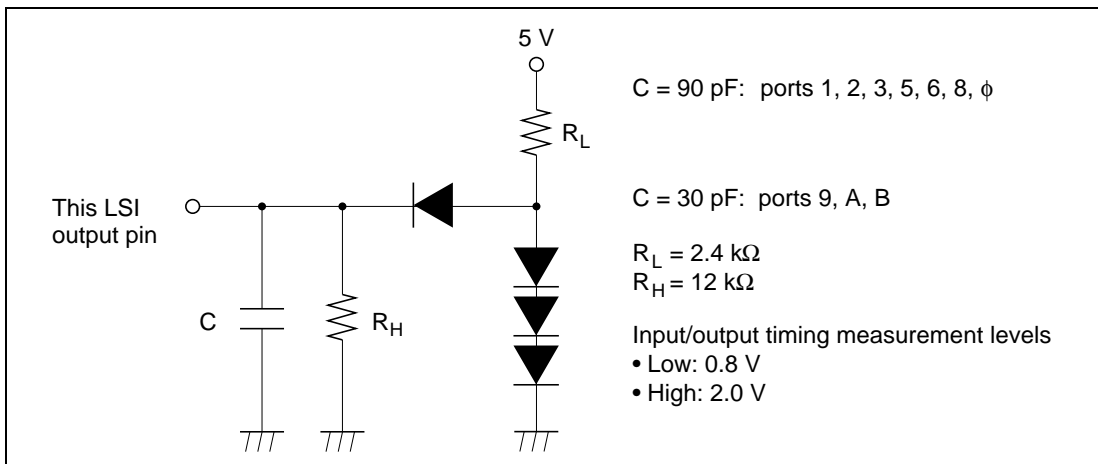


Figure 18.3 Output Load Circuit

18.1.4 A/D Conversion Characteristics

Table 18.7 lists the A/D conversion characteristics.

Table 18.7 A/D Converter Characteristics

Condition A: $V_{CC} = 2.7\text{ V to }5.5\text{ V}$, $AV_{CC} = 2.7\text{ V to }5.5\text{ V}$, $V_{SS} = AV_{SS} = 0\text{ V}$, $\phi = 2\text{ MHz to }8\text{ MHz}$, $T_a = -20^\circ\text{C to }+75^\circ\text{C}$ (regular specifications), $T_a = -40^\circ\text{C to }+85^\circ\text{C}$ (wide-range specifications)

Condition B: $V_{CC} = 3.0\text{ V to }5.5\text{ V}$, $AV_{CC} = 3.0\text{ V to }5.5\text{ V}$, $V_{SS} = AV_{SS} = 0\text{ V}$, $\phi = 2\text{ MHz to }10\text{ MHz}$, $T_a = -20^\circ\text{C to }+75^\circ\text{C}$ (regular specifications), $T_a = -40^\circ\text{C to }+85^\circ\text{C}$ (wide-range specifications)

Condition C: $V_{CC} = 5.0\text{ V} \pm 10\%$, $AV_{CC} = 5.0\text{ V} \pm 10\%$, $V_{SS} = AV_{SS} = 0\text{ V}$, $\phi = 2\text{ MHz to }18\text{ MHz}$, $T_a = -20^\circ\text{C to }+75^\circ\text{C}$ (regular specifications), $T_a = -40^\circ\text{C to }+85^\circ\text{C}$ (wide-range specifications)

| Item | Condition A | | | Condition B | | | Condition C | | | Unit |
|-------------------------------------|-------------|-----|-----------|-------------|-----|-----------|-------------|-----|-----------|---------------|
| | 8 MHz | | | 10 MHz | | | 18 MHz | | | |
| | Min | Typ | Max | Min | Typ | Max | Min | Typ | Max | |
| Resolution | 10 | 10 | 10 | 10 | 10 | 10 | 10 | 10 | 10 | bits |
| Conversion time | — | — | 16.8 | — | — | 13.4 | — | — | 7.5 | μs |
| Analog input capacitance | — | — | 20 | — | — | 20 | — | — | 20 | pF |
| Permissible signal-source impedance | — | — | 10^{*1} | — | — | 10^{*1} | — | — | 10^{*4} | k Ω |
| | — | — | 5^{*2} | — | — | 5^{*3} | — | — | 5^{*5} | |
| Nonlinearity error | — | — | ± 7.5 | — | — | ± 7.5 | — | — | ± 3.5 | LSB |
| Offset error | — | — | ± 7.5 | — | — | ± 7.5 | — | — | ± 3.5 | LSB |
| Full-scale error | — | — | ± 7.5 | — | — | ± 7.5 | — | — | ± 3.5 | LSB |
| Quantization error | — | — | ± 0.5 | — | — | ± 0.5 | — | — | ± 0.5 | LSB |
| Absolute accuracy | — | — | ± 8.0 | — | — | ± 8.0 | — | — | ± 4.0 | LSB |

Notes: 1. The value is for $4.0\text{ V} \leq AV_{CC} \leq 5.5\text{ V}$.

2. The value is for $2.7\text{ V} \leq AV_{CC} < 4.0\text{ V}$.

3. The value is for $3.0\text{ V} \leq AV_{CC} < 4.0\text{ V}$.

4. The value is for $\phi \leq 12\text{ MHz}$.

5. The value is for $\phi > 12\text{ MHz}$.

18.2 Electrical Characteristics of Flash Memory Version

18.2.1 Absolute Maximum Ratings

Table 18.8 lists the absolute maximum ratings.

Table 18.8 Absolute Maximum Ratings

| Item | Symbol | Value | Unit |
|---|-----------|---|------|
| Power supply voltage | V_{CC} | -0.3 to +7.0 | V |
| Input voltage (except port 7)* ¹ | V_{in} | -0.3 to $V_{CC} + 0.3$ | V |
| Input voltage (port 7) | V_{in} | -0.3 to $AV_{CC} + 0.3$ | V |
| Analog power supply voltage | AV_{CC} | -0.3 to +7.0 | V |
| Analog input voltage | V_{AN} | -0.3 to $AV_{CC} + 0.3$ | V |
| Operating temperature | T_{opr} | Regular specifications: -20 to +75* ² | °C |
| | | Wide-range specifications: -40 to +85* ² | °C |
| Storage temperature | T_{stg} | -55 to +125 | °C |

Caution: Permanent damage to the chip may result if absolute maximum ratings are exceeded.

Notes: 1. 12 V must not be applied to any pin, as this will cause permanent damage to the chip.

2. The operating temperature range when programming/erasing flash memory is $T_a = 0$ to +75°C (regular specifications) or $T_a = 0$ to +85°C (wide-range specifications).

18.2.2 DC Characteristics

Table 18.9 lists the DC characteristics. Table 18.10 lists the permissible output currents.

Table 18.9 DC Characteristics (1)

Conditions: $V_{CC} = 5.0\text{ V} \pm 10\%$, $AV_{CC} = 5.0\text{ V} \pm 10\%$, $V_{SS} = AV_{SS} = 0\text{ V}^{*1}$, $T_a = -20^\circ\text{C}$ to $+75^\circ\text{C}$ (regular specifications), $T_a = -40^\circ\text{C}$ to $+85^\circ\text{C}$ (wide-range specifications)
(Programming/Erasing Conditions: $T_a = 0^\circ\text{C}$ to $+75^\circ\text{C}$ (regular specifications), $T_a = 0^\circ\text{C}$ to $+85^\circ\text{C}$ (wide-range specifications))

| Item | | Symbol | Min | Typ | Max | Unit | Test Conditions |
|--------------------------------|---|-----------------|---------------------|-----|---------------------|------|------------------------------|
| Schmitt trigger input voltages | Port A, | V_T^- | 1.0 | — | — | V | |
| | P8 ₀ to P8 ₁ , PB ₀ to PB ₃ | V_T^+ | — | — | $V_{CC} \times 0.7$ | V | |
| | | $V_T^+ - V_T^-$ | 0.4 | — | — | V | |
| Input high voltage | \overline{RES} , \overline{STBY} , NMI, MD ₂ , MD ₁ , MD ₀ , FWE | V_{IH} | $V_{CC} - 0.7$ | — | $V_{CC} + 0.3$ | V | |
| | EXTAL | | $V_{CC} \times 0.7$ | — | $V_{CC} + 0.3$ | V | |
| | Port 7 | | 2.0 | — | $AV_{CC} + 0.3$ | V | |
| | Ports 1, 2, 3, 5, 6, 9, PB ₄ , PB ₅ , PB ₇ | | 2.0 | — | $V_{CC} + 0.3$ | V | |
| | | | | | | | |
| Input low voltage | \overline{RES} , \overline{STBY} , MD ₂ , MD ₁ , MD ₀ , FWE | V_{IL} | -0.3 | — | 0.5 | V | |
| | NMI, EXTAL, ports 1, 2, 3, 5, 6, 7, 9, PB ₄ , PB ₅ , PB ₇ | | -0.3 | — | 0.8 | V | |
| Output high voltage | All output pins | V_{OH} | $V_{CC} - 0.5$ | — | — | V | $I_{OH} = -200\ \mu\text{A}$ |
| | | | 3.5 | — | — | V | $I_{OH} = -1\ \text{mA}$ |
| Output low voltage | All output pins | V_{OL} | — | — | 0.4 | V | $I_{OL} = 1.6\ \text{mA}$ |
| | | | Ports 1, 2, 5, B | — | — | 1.0 | V |

| Item | Symbol | Min | Typ | Max | Unit | Test Conditions | | |
|--|---|-------------|-----|------|------|--|---|-----------------------------|
| Input leakage current | STBY, NMI, RES, MD ₂ , MD ₁ , MD ₀ | $ I_{in} $ | — | — | 1.0 | μA | $V_{in} = 0.5\text{ V to } V_{CC} - 0.5\text{ V}$ | |
| | Port 7 | — | — | 1.0 | μA | $V_{in} = 0.5\text{ V to } AV_{CC} - 0.5\text{ V}$ | | |
| | FWE | — | — | 10 | | | | |
| Three-state leakage current (off state) | Ports 1, 2, 3, 5, 6, 8, 9, A, B | $ I_{TSL} $ | — | — | 1.0 | μA | $V_{in} = 0.5\text{ V to } V_{CC} - 0.5\text{ V}$ | |
| Input pull-up current | Ports 2, 5 | $-I_p$ | 50 | — | 300 | μA | $V_{in} = 0\text{ V}$ | |
| Input capacitance | NMI, \overline{RES} | C_{in} | — | — | 50 | μF | $V_{in} = 0\text{ V},$ $f = 1\text{ MHz},$ $T_a = 25^\circ\text{C}$ | |
| | All input pins except NMI and RES | | — | — | 20 | | | |
| Current dissipation * ² * ⁴ | Normal operation | I_{CC} | — | 50 | 70 | mA | $f = 18\text{ MHz}$ | |
| | Sleep mode | | — | 35 | 50 | | $f = 18\text{ MHz}$ | |
| | Standby mode* ³ | | | — | 0.01 | 5.0 | μA | $T_a \leq 50^\circ\text{C}$ |
| | | | | — | — | 20.0 | | $50^\circ\text{C} < T_a$ |
| Analog power supply current | During A/D conversion | AI_{CC} | — | 1.7 | 2.8 | mA | | |
| | Idle | | — | 0.02 | 10.0 | μA | | |
| RAM standby voltage | V_{RAM} | 2.0 | — | — | V | | | |

Notes: 1. If the A/D converter is not used, do not leave the AV_{CC} and AV_{SS} pins open.

Connect AV_{CC} to V_{CC1} and connect AV_{SS} to V_{SS} .

2. Current dissipation values are for $V_{IH\ min} = V_{CC} - 0.5\text{ V}$ and $V_{IL\ max} = 0.5\text{ V}$ with all output pins unloaded and the on-chip pull-up transistors in the off state.

3. The values are for $V_{RAM} \leq V_{CC} < 4.5\text{ V}$, $V_{IH\ min} = V_{CC} \times 0.9$, and $V_{IL\ max} = 0.3\text{ V}$.

4. Power supply current value when programming/erasing in flash memory ($T_a = 0^\circ\text{C}$ to $+75^\circ\text{C}$ (regular specifications), $T_a = 0^\circ\text{C}$ to $+85^\circ\text{C}$ (wide-range specifications)) is 20 mA (max) higher than the power supply current value in normal operation.

Table 18.9 DC Characteristics (2)

Conditions: $V_{CC} = 3.0\text{ V to }5.5\text{ V}$, $AV_{CC} = 3.0\text{ V to }5.5\text{ V}$, $V_{SS} = AV_{SS} = 0\text{ V}^{*1}$, $T_a = -20^{\circ}\text{C to }+75^{\circ}\text{C}$ (regular specifications), $T_a = -40^{\circ}\text{C to }+85^{\circ}\text{C}$ (wide-range specifications)
 (Programming/Erasing Conditions: $V_{CC} = 3.0\text{ V to }3.6\text{ V}$, $T_a = 0^{\circ}\text{C to }+75^{\circ}\text{C}$ (regular specifications), $T_a = 0^{\circ}\text{C to }+85^{\circ}\text{C}$ (wide-range specifications))

| Item | | Symbol | Min | Typ | Max | Unit | Test Conditions |
|--------------------------------|--|-----------------|----------------------|-----|---------------------|------|---|
| Schmitt trigger input voltages | Port A, | V_T^- | $V_{CC} \times 0.2$ | — | — | V | |
| | P8 ₀ to P8 ₁ , PB ₀ to PB ₃ | V_T^+ | — | — | $V_{CC} \times 0.7$ | V | |
| | | $V_T^+ - V_T^-$ | $V_{CC} \times 0.04$ | — | — | V | |
| Input high voltage | $\overline{\text{RES}}$, $\overline{\text{STBY}}$, NMI, MD ₂ to MD ₀ , FWE | V_{IH} | $V_{CC} \times 0.9$ | — | $V_{CC} + 0.3$ | V | |
| | EXTAL | | $V_{CC} \times 0.7$ | — | $V_{CC} + 0.3$ | V | |
| | Port 7 | | $V_{CC} \times 0.7$ | — | $AV_{CC} + 0.3$ | V | |
| | Ports 1 to 3, 5, 6, 9, PB ₄ , PB ₅ , PB ₇ | | $V_{CC} \times 0.7$ | — | $V_{CC} + 0.3$ | V | |
| Input low voltage | $\overline{\text{RES}}$, $\overline{\text{STBY}}$, FWE, MD ₂ to MD ₀ , FWE | V_{IL} | -0.3 | — | $V_{CC} \times 0.1$ | V | |
| | NMI, EXTAL, ports 1 to 3, 5 to 7, 9, PB ₄ , PB ₅ , PB ₇ | | -0.3 | — | $V_{CC} \times 0.2$ | V | $V_{CC} < 4.0\text{ V}$ |
| Output high voltage | All output pins | V_{OH} | $V_{CC} - 0.5$ | — | — | V | $I_{OH} = -200\ \mu\text{A}$ |
| | | | $V_{CC} - 1.0$ | — | — | V | $I_{OH} = -1\ \text{mA}$ |
| Output low voltage | All output pins | V_{OL} | — | — | 0.4 | V | $I_{OL} = 1.0\ \text{mA}$ |
| | Ports 1, 2, 5, B | | — | — | 1.0 | V | $V_{CC} \leq 4\ \text{V}$, $I_{OL} = 5\ \text{mA}$, $4\text{V} < V_{CC} \leq 5.5\ \text{V}$, $I_{OL} = 10\ \text{mA}$ |

| Item | Symbol | Min | Typ | Max | Unit | Test Conditions |
|---|---|---------------|-----|---------------|-----------------|---|
| Input leakage current | STBY, NMI, RES, MD ₂ , MD ₁ , MD ₀ | $ I_{in} $ | — | — | 1.0 | μA $V_{in} = 0.5\text{ V}$ to $V_{CC} - 0.5\text{ V}$ |
| | Port 7 | — | — | 1.0 | μA | $V_{in} = 0.5\text{ V}$ to $AV_{CC} - 0.5\text{ V}$ |
| | FWE | — | — | 10 | μA | $V_{in} = 0.5\text{ V}$ to $V_{CC} - 0.5\text{ V}$ |
| Three-state leakage current (off state) | Ports 1, 2, 3, 5, 6, 8 to B | $ I_{TSL} $ | — | — | 1.0 | μA $V_{in} = 0.5\text{ V}$ to $V_{CC} - 0.5\text{ V}$ |
| Input pull-up current | Ports 2 and 5 | $-I_p$ | 10 | — | 300 | μA $V_{CC} = 3.0\text{ V}$ to 5.5 V , $V_{in} = 0\text{ V}$ |
| Input capacitance | NMI, $\overline{\text{RES}}$ | C_{in} | — | — | 50 | pF $V_{in} = 0\text{ V}$, $f = 1\text{ MHz}$, $T_a = 25^\circ\text{C}$ |
| | All input pins except NMI and RES | — | — | — | 20 | pF |
| Current dissipation <small>*2 *5</small> | Normal operation | I_{CC}^{*4} | — | 15 (3.0 V) | 41.5 (5.5 V) | mA $f = 10\text{ MHz}$ |
| | Sleep mode | — | — | 10 (3.0 V) | 30.5 (5.5 V) | mA $f = 10\text{ MHz}$ |
| | Standby mode*3 | — | — | 0.01 | 5.0 | μA $T_a \leq 50^\circ\text{C}$ |
| Analog power supply current | During A/D conversion | AI_{CC} | — | 1.3 | 2.5 | mA $AV_{CC} = 3.0\text{ V}$ |
| | | | — | 1.7 | 2.8 | $AV_{CC} = 5.0\text{ V}$ |
| | Idle | — | — | 0.02 | 10.0 | μA |
| RAM standby voltage | V_{RAM} | 2.0 | — | — | V | |

- Notes: 1. If the A/D converter is not used, do not leave the AV_{CC} and AV_{SS} pins open. Connect AV_{CC} to V_{CC} , and connect AV_{SS} to V_{SS} .
2. Current dissipation values are for $V_{IH\ min} = V_{CC} - 0.5\text{ V}$ and $V_{IL\ max} = 0.5\text{ V}$ with all output pins unloaded and the on-chip pull-up transistors in the off state.
3. The values are for $V_{RAM} \leq V_{CC} < 3.0\text{ V}$, $V_{IH\ min} = V_{CC} \times 0.9$, and $V_{IL\ max} = 0.3\text{ V}$.
4. I_{CC} depends on V_{CC} and f as follows:
 $I_{CC\ max} = 3.0\text{ (mA)} + 0.7\text{ (mA/MHz} \cdot \text{V)} \times V_{CC} \times f$ [normal mode]
 $I_{CC\ max} = 3.0\text{ (mA)} + 0.5\text{ (mA/MHz} \cdot \text{V)} \times V_{CC} \times f$ [sleep mode]
5. The current dissipation value when programming/erasing flash memory ($T_a = 0^\circ\text{C}$ to $+75^\circ\text{C}$ (regular specifications), $T_a = 0^\circ\text{C}$ to $+85^\circ\text{C}$ (wide-range specifications)) is 20 mA (max) higher than the current dissipation value in normal operation.

Table 18.10 Permissible Output Currents

Conditions: $V_{CC} = 3.0\text{ V to }5.5\text{ V}$, $AV_{CC} = 3.0\text{ V to }5.5\text{ V}$, $V_{SS} = AV_{SS} = 0\text{ V}$, $T_a = -20^\circ\text{C to }+75^\circ\text{C}$
 (regular specifications), $T_a = -40^\circ\text{C to }+85^\circ\text{C}$ (wide-range specifications)

| Item | | Symbol | Min | Typ | Max | Unit |
|---|---|-----------------|-----|-----|--|------|
| Permissible output low current (per pin) | Ports 1, 2, 5 and B | I_{OL} | — | — | 10 | mA |
| | Other output pins | | — | — | 2.0 | mA |
| Permissible output low current (total) | Total of 27 pins including ports 1, 2, 5 and B | ΣI_{OL} | — | — | 80 | mA |
| | Total of 23 pins, including ports 8, 9, A and B | | — | — | 75* ² / 65* ¹ | mA |
| | Total of all output pins, including the above | | — | — | 120 | mA |
| Permissible output high current (per pin) | All output pins | I_{OH} | — | — | 2.0 | mA |
| Permissible output high current (total) | Total of all output pins | ΣI_{OH} | — | — | 40 | mA |

Notes: To protect chip reliability, do not exceed the output current values in table 18.10.

When driving a Darlington pair or LED, always insert a current-limiting resistor in the output line, as shown in figures 18.4 and 18.5.

1. Conditions: $V_{CC} = 3.0\text{ V to }5.5\text{ V}$, $AV_{CC} = 3.0\text{ V to }5.5\text{ V}$
2. Conditions: $V_{CC} = 4.5\text{ V to }5.5\text{ V}$, $AV_{CC} = 4.5\text{ V to }5.5\text{ V}$

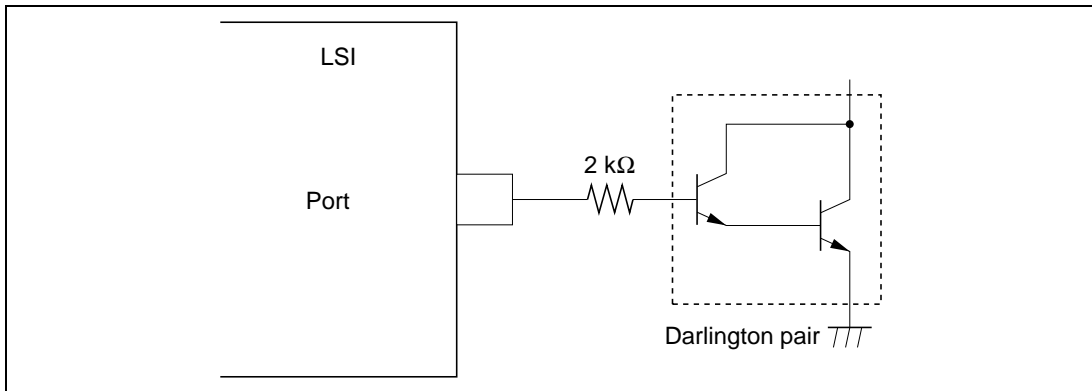


Figure 18.4 Darlington Pair Drive Circuit (Example)

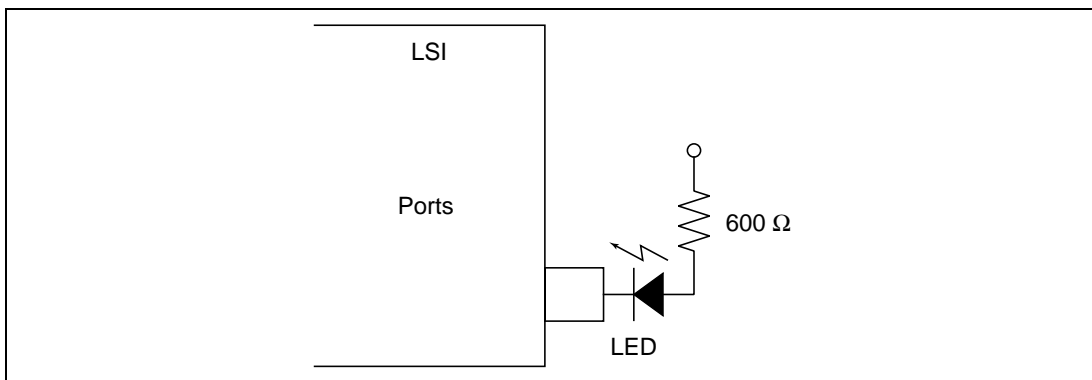


Figure 18.5 LED Drive Circuit (Example)

18.2.3 AC Characteristics

Bus timing parameters are listed in table 18.11. Control signal timing parameters are listed in table 18.12. Timing parameters of the on-chip supporting modules are listed in table 18.13.

Table 18.11 Bus Timing

Condition A: $V_{CC} = 3.0\text{ V to }5.5\text{ V}$, $AV_{CC} = 3.0\text{ V to }5.5\text{ V}$, $V_{SS} = AV_{SS} = 0\text{ V}$, $\phi = 2\text{ to }10\text{ MHz}$,
 $T_a = -20^\circ\text{C to }+75^\circ\text{C}$ (regular specifications), $T_a = -40^\circ\text{C to }+85^\circ\text{C}$ (wide-range specifications)

Condition B: $V_{CC} = 5.0\text{ V} \pm 10\%$, $AV_{CC} = 5.0\text{ V} \pm 10\%$, $V_{SS} = AV_{SS} = 0\text{ V}$, $\phi = 2\text{ MHz to }18\text{ MHz}$,
 $T_a = -20^\circ\text{C to }+75^\circ\text{C}$ (regular specifications), $T_a = -40^\circ\text{C to }+85^\circ\text{C}$ (wide-range specifications)

| Item | Symbol | Condition A | | Condition B | | Unit | Test Conditions |
|---------------------------------|--------------|-------------|-----|-------------|-----|------|-----------------------------|
| | | 10 MHz | | 18 MHz | | | |
| | | Min | Max | Min | Max | | |
| Clock cycle time | t_{cyc} | 100 | 500 | 55.5 | 500 | ns | Figure 18.7, Figure 18.8 |
| Clock low pulse width | t_{CL} | 30 | — | 17 | — | | |
| Clock high pulse width | t_{CH} | 30 | — | 17 | — | | |
| Clock rise time | t_{Cr} | — | 15 | — | 10 | | |
| Clock fall time | t_{Cf} | — | 15 | — | 10 | | |
| Address delay time | t_{AD} | — | 50 | — | 25 | | |
| Address hold time | t_{AH} | 20 | — | 10 | — | | |
| Address strobe delay time | t_{ASD} | — | 40 | — | 25 | | |
| Write strobe delay time | t_{WSD} | — | 50 | — | 25 | | |
| Strobe delay time | t_{SD} | — | 50 | — | 25 | | |
| Write data strobe pulse width 1 | t_{WSW1}^* | 60 | — | 32 | — | | |
| Write data strobe pulse width 2 | t_{WSW2}^* | 110 | — | 62 | — | | |
| Address setup time 1 | t_{AS1} | 15 | — | 10 | — | | |
| Address setup time 2 | t_{AS2} | 65 | — | 38 | — | | |
| Read data setup time | t_{RDS} | 35 | — | 15 | — | | |
| Read data hold time | t_{RDH} | 0 | — | 0 | — | | |

| Item | Symbol | Condition A | | Condition B | | Unit | Test Conditions |
|-------------------------|--------------|-------------|-----|-------------|-----|------|-----------------------------|
| | | 10 MHz | | 18 MHz | | | |
| | | Min | Max | Min | Max | | |
| Write data delay time | t_{WDD} | — | 75 | — | 55 | ns | Figure 18.7, Figure 18.8 |
| Write data setup time 1 | t_{WDS1} | 40 | — | 10 | — | | |
| Write data setup time 2 | t_{WDS2} | -10 | — | -10 | — | | |
| Write data hold time | t_{WDH} | 20 | — | 20 | — | | |
| Read data access time 1 | t_{ACC1}^* | — | 100 | — | 50 | | |
| Read data access time 2 | t_{ACC2}^* | — | 200 | — | 105 | | |
| Read data access time 3 | t_{ACC3}^* | — | 50 | — | 20 | | |
| Read data access time 4 | t_{ACC4}^* | — | 150 | — | 80 | | |
| Precharge time | t_{PCH}^* | 60 | — | 40 | — | | |
| Wait setup time | t_{WTS} | 40 | — | 25 | — | ns | Figure 18.9 |
| Wait hold time | t_{WTH} | 10 | — | 5 | — | | |

Note: * For condition A, the following times depend on the clock cycle time as shown below.

$$\begin{aligned}
 t_{ACC1} &= 1.5 \times t_{cyc} - 50 \text{ (ns)} & t_{WSW1} &= 1.0 \times t_{cyc} - 40 \text{ (ns)} \\
 t_{ACC2} &= 2.5 \times t_{cyc} - 50 \text{ (ns)} & t_{WSW2} &= 1.5 \times t_{cyc} - 40 \text{ (ns)} \\
 t_{ACC3} &= 1.0 \times t_{cyc} - 50 \text{ (ns)} & t_{PCH} &= 1.0 \times t_{cyc} - 40 \text{ (ns)} \\
 t_{ACC4} &= 2.0 \times t_{cyc} - 50 \text{ (ns)} & &
 \end{aligned}$$

For condition B, the following times depend on the clock cycle time as shown below.

$$\begin{aligned}
 t_{ACC1} &= 1.5 \times t_{cyc} - 34 \text{ (ns)} & t_{WSW1} &= 1.0 \times t_{cyc} - 24 \text{ (ns)} \\
 t_{ACC2} &= 2.5 \times t_{cyc} - 34 \text{ (ns)} & t_{WSW2} &= 1.5 \times t_{cyc} - 22 \text{ (ns)} \\
 t_{ACC3} &= 1.0 \times t_{cyc} - 36 \text{ (ns)} & t_{PCH} &= 1.0 \times t_{cyc} - 21 \text{ (ns)} \\
 t_{ACC4} &= 2.0 \times t_{cyc} - 31 \text{ (ns)} & &
 \end{aligned}$$

Table 18.12 Control Signal Timing

Condition A: $V_{CC} = 3.0\text{ V to }5.5\text{ V}$, $AV_{CC} = 3.0\text{ V to }5.5\text{ V}$, $V_{SS} = AV_{SS} = 0\text{ V}$, $\phi = 2\text{ to }10\text{ MHz}$,
 $T_a = -20^\circ\text{C to }+75^\circ\text{C}$ (regular specifications), $T_a = -40^\circ\text{C to }+85^\circ\text{C}$ (wide-range specifications)

Condition B: $V_{CC} = 5.0\text{ V } \pm 10\%$, $AV_{CC} = 5.0\text{ V } \pm 10\%$, $V_{SS} = AV_{SS} = 0\text{ V}$, $\phi = 2\text{ MHz to }18\text{ MHz}$,
 $T_a = -20^\circ\text{C to }+75^\circ\text{C}$ (regular specifications), $T_a = -40^\circ\text{C to }+85^\circ\text{C}$ (wide-range specifications)

| Item | Symbol | Condition A | | Condition B | | Unit | Test Conditions |
|---|-------------------|-------------|-----|-------------|-----|------|-----------------|
| | | 10 MHz | | 18 MHz | | | |
| | | Min | Max | Min | Max | | |
| $\overline{\text{RES}}$ setup time | t_{RESS} | 200 | — | 200 | — | ns | Figure 18.10 |
| $\overline{\text{RES}}$ pulse width | t_{RESW} | 20 | — | 20 | — | tcyc | |
| Mode programming setup time | t_{MDS} | 200 | — | 200 | — | ns | |
| NMI setup time (NMI, $\overline{\text{IRQ}}_0$, $\overline{\text{IRQ}}_1$, $\overline{\text{IRQ}}_4$, $\overline{\text{IRQ}}_5$) | t_{NMIS} | 200 | — | 150 | — | ns | Figure 18.12 |
| NMI hold time (NMI, $\overline{\text{IRQ}}_0$, $\overline{\text{IRQ}}_1$, $\overline{\text{IRQ}}_4$, $\overline{\text{IRQ}}_5$) | t_{NMIH} | 10 | — | 10 | — | | |
| Interrupt pulse width (NMI, $\overline{\text{IRQ}}_1$, $\overline{\text{IRQ}}_0$ when exiting software standby mode) | t_{NMIW} | 200 | — | 200 | — | | |
| Clock oscillator settling time at reset (crystal) | t_{OSC1} | 20 | — | 20 | — | ms | Figure 18.13 |
| Clock oscillator settling time in software standby (crystal) | t_{OSC2} | 8 | — | 7 | — | ms | Figure 17.1 |

Table 18.13 Timing of On-Chip Supporting Modules

Condition A: $V_{CC} = 3.0\text{ V to }5.5\text{ V}$, $AV_{CC} = 3.0\text{ V to }5.5\text{ V}$, $V_{SS} = AV_{SS} = 0\text{ V}$, $\phi = 2\text{ MHz to }10\text{ MHz}$, $T_a = -20^\circ\text{C to }+75^\circ\text{C}$ (regular specifications), $T_a = -40^\circ\text{C to }+85^\circ\text{C}$ (wide-range specifications)

Condition B: $V_{CC} = 5.0\text{ V} \pm 10\%$, $AV_{CC} = 5.0\text{ V} \pm 10\%$, $V_{SS} = AV_{SS} = 0\text{ V}$, $\phi = 2\text{ MHz to }18\text{ MHz}$, $T_a = -20^\circ\text{C to }+75^\circ\text{C}$ (regular specifications), $T_a = -40^\circ\text{C to }+85^\circ\text{C}$ (wide-range specifications)

| Item | Symbol | Condition A | | Condition B | | Unit | Test Conditions | | |
|------|---|--------------|-------------|-------------|-----|------|-----------------|--------------|--------------|
| | | 10 MHz | | 18 MHz | | | | | |
| | | Min | Max | Min | Max | | | | |
| ITU | Timer output delay time | t_{TOCD} | — | 100 | — | 100 | ns | Figure 18.15 | |
| | Timer input setup time | t_{TICS} | 50 | — | 50 | — | | | |
| | Timer clock input setup time | t_{TCKS} | 50 | — | 50 | — | ns | Figure 18.16 | |
| | Timer clock pulse width | Single edge | t_{TCKWH} | 1.5 | — | 1.5 | | | — |
| | | Both edges | t_{TCKWL} | 2.5 | — | 2.5 | | | — |
| SCI | Input clock cycle | Asynchronous | t_{Syc} | 4 | — | 4 | — | ns | Figure 18.17 |
| | | Synchronous | | 6 | — | 6 | — | | |
| | Input clock rise time | t_{SCKr} | — | 1.5 | — | 1.5 | ns | Figure 18.18 | |
| | Input clock fall time | t_{SCKf} | — | 1.5 | — | 1.5 | | | |
| | Input clock pulse width | t_{SCKW} | 0.4 | 0.6 | 0.4 | 0.6 | | | |
| | Transmit data delay time | t_{TXD} | — | 100 | — | 100 | ns | Figure 18.18 | |
| | Receive data setup time (synchronous) | t_{RXS} | 100 | — | 100 | — | | | |
| | Receive data hold time (synchronous clock input) | t_{RXH} | 100 | — | 100 | — | ns | Figure 18.18 | |
| | Receive data hold time (synchronous clock output) | | 0 | — | 0 | — | | | |

| Item | Symbol | Condition A | | Condition B | | Unit | Test Conditions | |
|---------------|------------------------|------------------|--------|-------------|--------|------|-----------------|--------------|
| | | 10 MHz | 18 MHz | 10 MHz | 18 MHz | | | |
| Ports and TPC | Output data delay time | t_{PVD} | — | 100 | — | 100 | ns | Figure 18.14 |
| | Input data setup time | t_{PRS} | 50 | — | 50 | — | | |
| | Input data hold time | t_{PRH} | 50 | — | 50 | — | | |

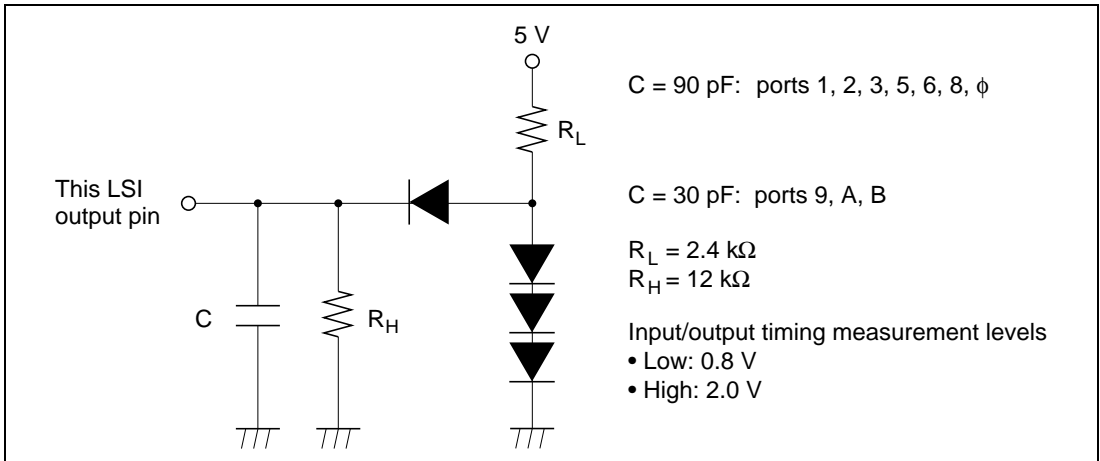


Figure 18.6 Output Load Circuit

18.2.4 A/D Conversion Characteristics

Table 18.14 lists the A/D conversion characteristics.

Table 18.14 A/D Converter Characteristics

Condition A: $V_{CC} = 3.0\text{ V to }5.5\text{ V}$, $AV_{CC} = 3.0\text{ V to }5.5\text{ V}$, $V_{SS} = AV_{SS} = 0\text{ V}$, $\phi = 2\text{ MHz to }10\text{ MHz}$, $T_a = -20^\circ\text{C to }+75^\circ\text{C}$ (regular specifications), $T_a = -40^\circ\text{C to }+85^\circ\text{C}$ (wide-range specifications)

Condition B: $V_{CC} = 5.0\text{ V} \pm 10\%$, $AV_{CC} = 5.0\text{ V} \pm 10\%$, $V_{SS} = AV_{SS} = 0\text{ V}$, $\phi = 2\text{ MHz to }18\text{ MHz}$, $T_a = -20^\circ\text{C to }+75^\circ\text{C}$ (regular specifications), $T_a = -40^\circ\text{C to }+85^\circ\text{C}$ (wide-range specifications)

| Item | Condition A | | | Condition B | | | Unit |
|-------------------------------------|-------------|-----|-----------|-------------|-----|-----------|---------------|
| | 10 MHz | | | 18 MHz | | | |
| | Min | Typ | Max | Min | Typ | Max | |
| Resolution | 10 | 10 | 10 | 10 | 10 | 10 | bits |
| Conversion time | — | — | 13.4 | — | — | 7.5 | μs |
| Analog input capacitance | — | — | 20 | — | — | 20 | pF |
| Permissible signal-source impedance | — | — | 5^{*1} | — | — | 10^{*2} | k Ω |
| | | | | — | — | 5^{*3} | |
| Nonlinearity error | — | — | ± 7.5 | — | — | ± 3.5 | LSB |
| Offset error | — | — | ± 7.5 | — | — | ± 3.5 | LSB |
| Full-scale error | — | — | ± 7.5 | — | — | ± 3.5 | LSB |
| Quantization error | — | — | ± 0.5 | — | — | ± 0.5 | LSB |
| Absolute accuracy | — | — | ± 8.0 | — | — | ± 4.0 | LSB |

Notes: 1. The value is for $\phi = 10\text{ MHz}$.

2. The value is for $\phi \leq 12\text{ MHz}$.

3. The value is for $\phi > 12\text{ MHz}$.

18.2.5 Flash Memory Characteristics

Table 18.15 shows the flash memory characteristics.

Table 18.15 Flash Memory Characteristics (1)

Conditions: $V_{CC} = 4.5\text{ V to }5.5\text{ V}$, $AV_{CC} = 4.5\text{ V to }5.5\text{ V}$, $V_{SS} = AV_{SS} = 0\text{ V}$

$T_a = 0^\circ\text{C to }+75^\circ\text{C}$ (program/erase operating temperature range: regular specifications), $T_a = 0^\circ\text{C to }+85^\circ\text{C}$ (program/erase operating temperature range: wide-range specifications)

| Item | Symbol | Min | Typ | Max | Unit | Test condition |
|--|--|---------------|-----|-----|-------------|----------------|
| Programming time* ¹ * ² * ⁴ | t_p | — | 10 | 200 | ms/32 bytes | |
| Erase time* ¹ * ³ * ⁵ | t_E | — | 100 | 300 | ms/block | |
| Reprogramming count | N_{WEC} | — | — | 100 | Times | |
| Programming | Wait time after SWE bit setting* ¹ | x | 10 | — | — | μs |
| | Wait time after PSU bit setting* ¹ | y | 50 | — | — | μs |
| | Wait time after P bit setting* ¹ * ⁴ | z | 150 | — | 500 | μs |
| | Wait time after P bit clear* ¹ | α | 10 | — | — | μs |
| | Wait time after PSU bit clear* ¹ | β | 10 | — | — | μs |
| | Wait time after PV bit setting* ¹ | γ | 4 | — | — | μs |
| | Wait time after H'FF dummy write* ¹ | ε | 2 | — | — | μs |
| | Wait time after PV bit clear* ¹ | η | 4 | — | — | μs |
| | Maximum programming count* ¹ * ⁴ | N | — | — | 403 | Times |
| Erase | Wait time after SWE bit setting* ¹ | x | 10 | — | — | μs |
| | Wait time after ESU bit setting* ¹ | y | 200 | — | — | μs |
| | Wait time after E bit setting* ¹ * ⁵ | z | 5 | — | 10 | ms |
| | Wait time after E bit clear* ¹ | α | 10 | — | — | μs |
| | Wait time after ESU bit clear* ¹ | β | 10 | — | — | μs |
| | Wait time after EV bit setting* ¹ | γ | 20 | — | — | μs |
| | Wait time after H'FF dummy write* ¹ | ε | 2 | — | — | μs |
| | Wait time after EV bit clear* ¹ | η | 5 | — | — | μs |
| | Maximum erase count* ¹ * ⁵ | N | 30 | — | 60 | Times |

Notes: 1. Set the times according to the program/erase algorithms.

2. Programming time per 32 bytes (Shows the total time the flash memory control register (FLMCR) is set. It does not include the programming verification time.)

3. Block erase time (Shows the period the E bit in FLMCR is set. It does not include the erase verification time.)
4. To specify the maximum programming time ($t_p(\max)$) in the 32-byte programming flowchart, set the max value (403) for the maximum programming count (N).
The wait time after P bit setting (z) should be changed as follows according to the programming counter value.

Programming counter value of 1 to 4: $z = 150 \mu\text{s}$

Programming counter value of 5 to 403: $z = 500 \mu\text{s}$

5. For the maximum erase time ($t_E(\max)$), the following relationship applies between the wait time after E bit setting (z) and the maximum erase count (N):

$$t_E(\max) = \text{Wait time after E bit setting (z)} \times \text{maximum erase count (N)}$$

To set the maximum erase time, the values of z and N should be set so as to satisfy the above formula.

Examples: When $z = 5$ [ms]: $N = 60$ times

When $z = 10$ [ms]: $N = 30$ times

Table 18.15 Flash Memory Characteristics (2)

Conditions: $V_{CC} = 3.0\text{ V to }3.6\text{ V}$, $AV_{CC} = 3.0\text{ V to }3.6\text{ V}$, $V_{SS} = AV_{SS} = 0\text{ V}$

$T_a = 0^\circ\text{C to }+75^\circ\text{C}$ (Programming/erasing operating temperature range: regular specification)

$T_a = 0^\circ\text{C to }+85^\circ\text{C}$ (Programming/erasing operating temperature range: wide-range specification)

| Item | Symbol | Min | Typ | Max | Unit | Test condition |
|--|--|---------------|-----|-----|-------------|----------------|
| Programming time* ¹ * ² * ⁴ | t_p | — | 10 | 200 | ms/32 bytes | |
| Erase time* ¹ * ³ * ⁵ | t_E | — | 100 | 300 | ms/block | |
| Reprogramming count | N_{WEC} | — | — | 100 | Times | |
| Programming | Wait time after SWE bit setting* ¹ | x | 10 | — | — | μs |
| | Wait time after PSU bit setting* ¹ | y | 50 | — | — | μs |
| | Wait time after P bit setting* ¹ * ⁴ | z | 150 | — | 500 | μs |
| | Wait time after P bit clear* ¹ | α | 10 | — | — | μs |
| | Wait time after PSU bit clear* ¹ | β | 10 | — | — | μs |
| | Wait time after PV bit setting* ¹ | γ | 4 | — | — | μs |
| | Wait time after H'FF dummy write* ¹ | ε | 2 | — | — | μs |
| | Wait time after PV bit clear* ¹ | η | 4 | — | — | μs |
| | Maximum programming count* ¹ * ⁴ | N | — | — | 403 | Times |
| Erase | Wait time after SWE bit setting* ¹ | x | 10 | — | — | μs |
| | Wait time after ESU bit setting* ¹ | y | 200 | — | — | μs |
| | Wait time after E bit setting* ¹ * ⁵ | z | 5 | — | 10 | ms |
| | Wait time after E bit clear* ¹ | α | 10 | — | — | μs |
| | Wait time after ESU bit clear* ¹ | β | 10 | — | — | μs |
| | Wait time after EV bit setting* ¹ | γ | 20 | — | — | μs |
| | Wait time after H'FF dummy write* ¹ | ε | 2 | — | — | μs |
| | Wait time after EV bit clear* ¹ | η | 5 | — | — | μs |
| | Maximum erase count* ¹ * ⁵ | N | 30 | — | 60 | Times |

- Notes: 1. Make each time setting in accordance with the program/program-verify flowchart or erase/erase-verify flowchart.
2. Programming time per 32 bytes (Shows the total period for which the P-bit in the flash memory control register (FLMCR) is set. It does not include the programming verification time.)
3. Block erase time (Shows the total period for which the E-bit in FLMCR is set. It does not include the erase verification time.)

4. To specify the maximum programming time ($t_p(\max)$) in the 32-byte programming flowchart, set the maximum value (403) for the maximum programming count (N). The wait time after P bit setting (z) should be changed as follows according to the programming counter value.

Programming counter value of 1 to 4: $z = 150 \mu\text{s}$

Programming counter value of 5 to 403: $z = 500 \mu\text{s}$

5. For the maximum erase time ($t_e(\max)$), the following relationship applies between the wait time after E bit setting (z) and the maximum erase count (N):

$$t_e(\max) = \text{Wait time after E bit setting (z)} \times \text{maximum erase count (N)}$$

To set the maximum erase time, the values of z and N should be set so as to satisfy the above formula.

Examples: When $z = 5$ [ms], $N = 60$ times

When $z = 10$ [ms], $N = 30$ times

18.3 Operational Timing

This section shows timing diagrams.

18.3.1 Bus Timing

Bus timing is shown as follows:

- Basic bus cycle: two-state access

Figure 18.7 shows the timing of the external two-state access cycle.

- Basic bus cycle: three-state access

Figure 18.8 shows the timing of the external three-state access cycle.

- Basic bus cycle: three-state access with one wait state

Figure 18.9 shows the timing of the external three-state access cycle with one wait state inserted.

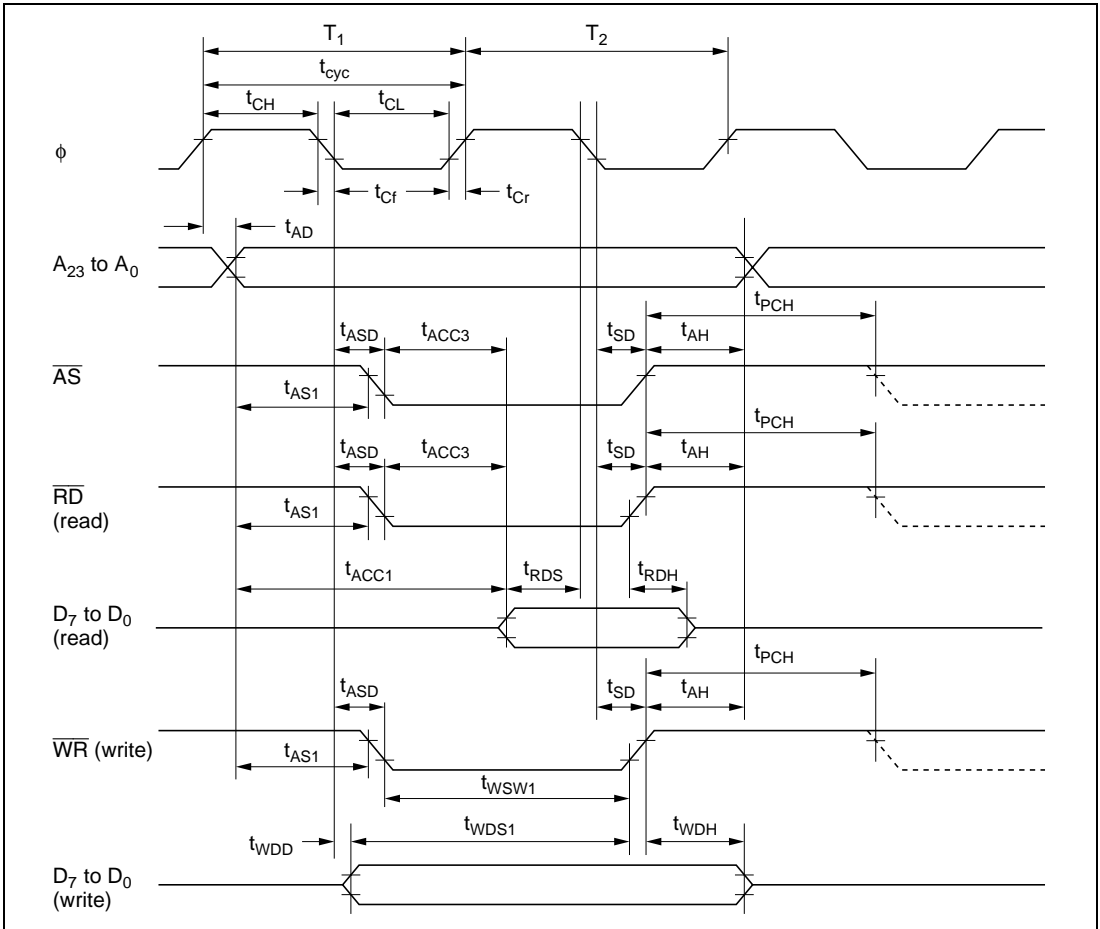


Figure 18.7 Basic Bus Cycle: Two-State Access

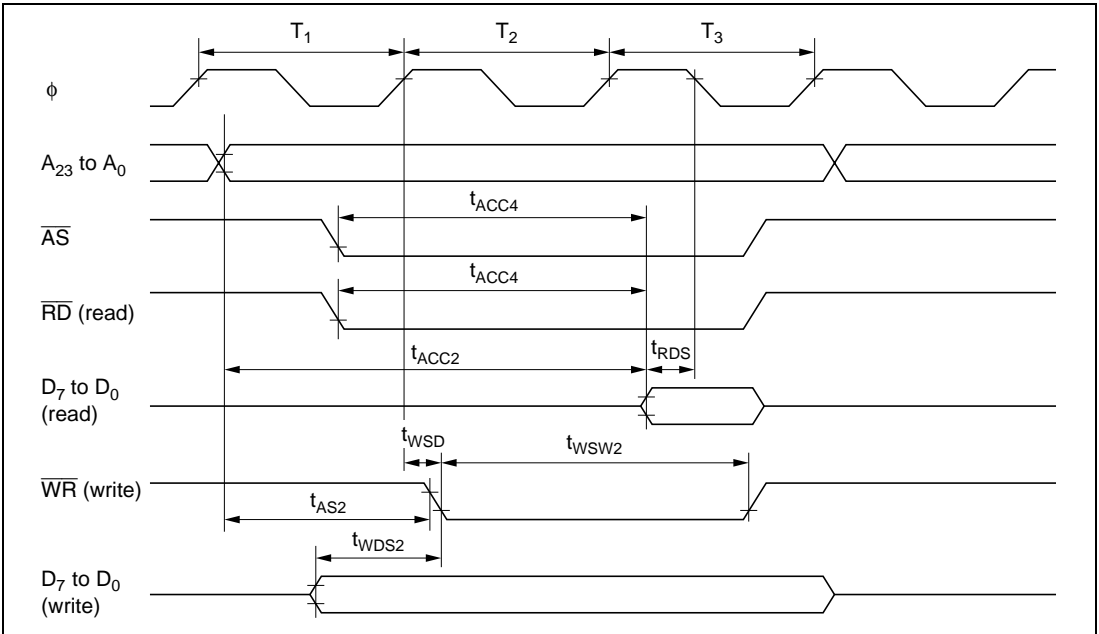


Figure 18.8 Basic Bus Cycle: Three-State Access

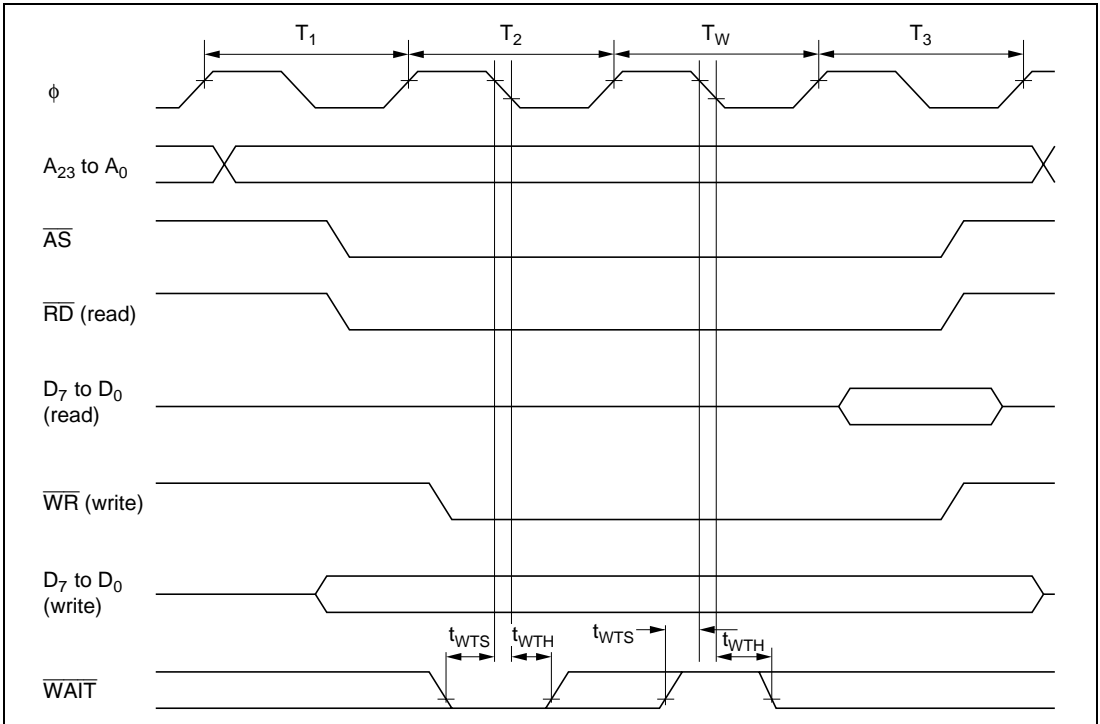


Figure 18.9 Basic Bus Cycle: Three-State Access with One Wait State

18.3.2 Control Signal Timing

Control signal timing is shown as follows:

- Reset input timing

Figure 18.10 shows the reset input timing.

- Reset output timing

Figure 18.11 shows the reset output timing.

- Interrupt input timing

Figure 18.12 shows the interrupt input timing for NMI and \overline{IRQ}_5 , \overline{IRQ}_4 , \overline{IRQ}_1 , and \overline{IRQ}_0 .

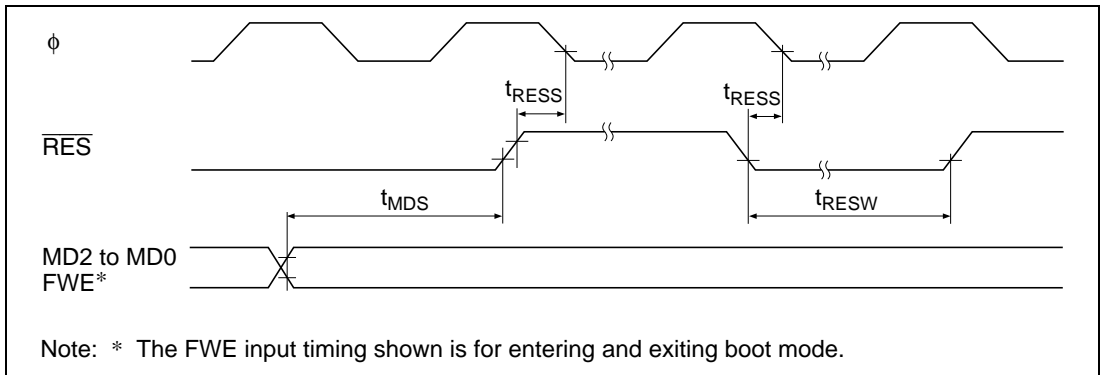


Figure 18.10 Reset Input Timing

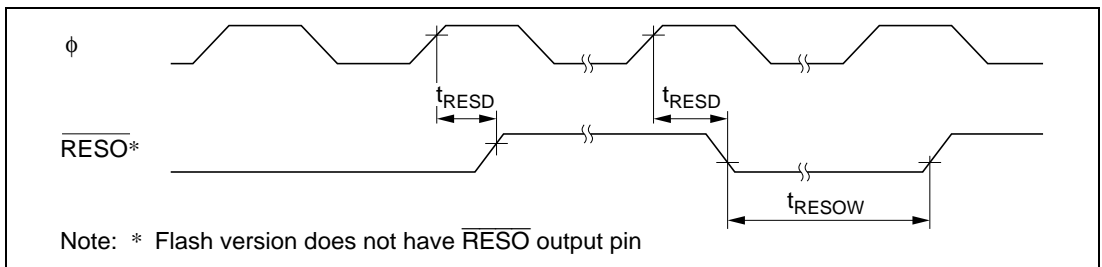


Figure 18.11 Reset Output Timing

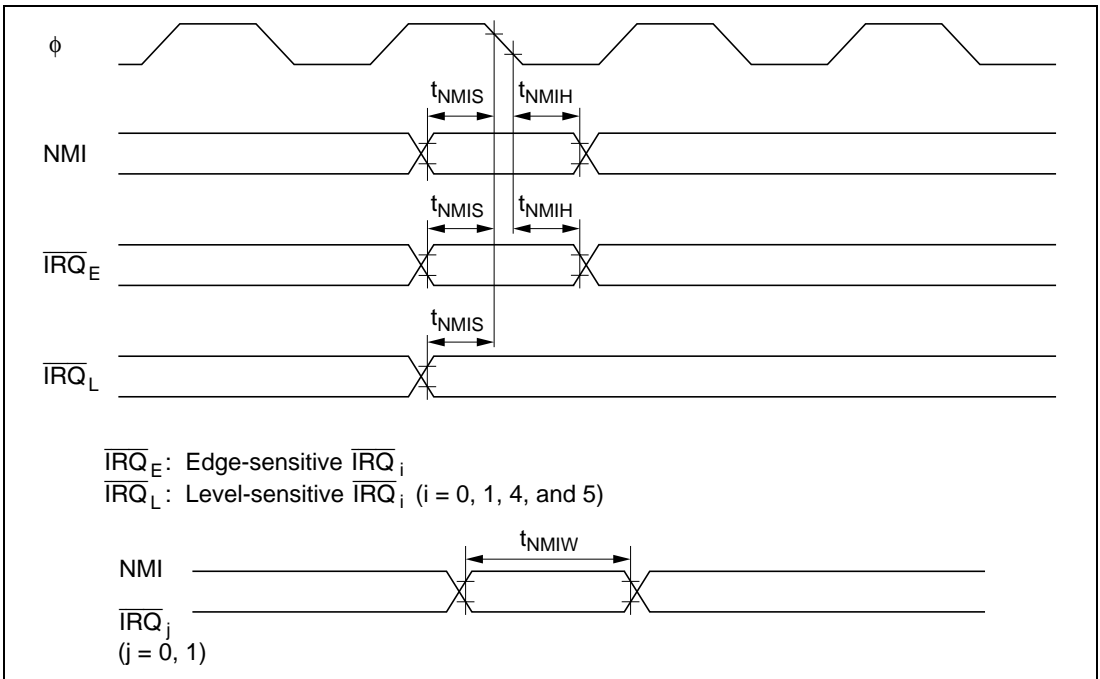


Figure 18.12 Interrupt Input Timing

18.3.3 Clock Timing

Clock timing is shown below.

- Oscillator settling timing

Figure 18.13 shows the oscillator settling timing.

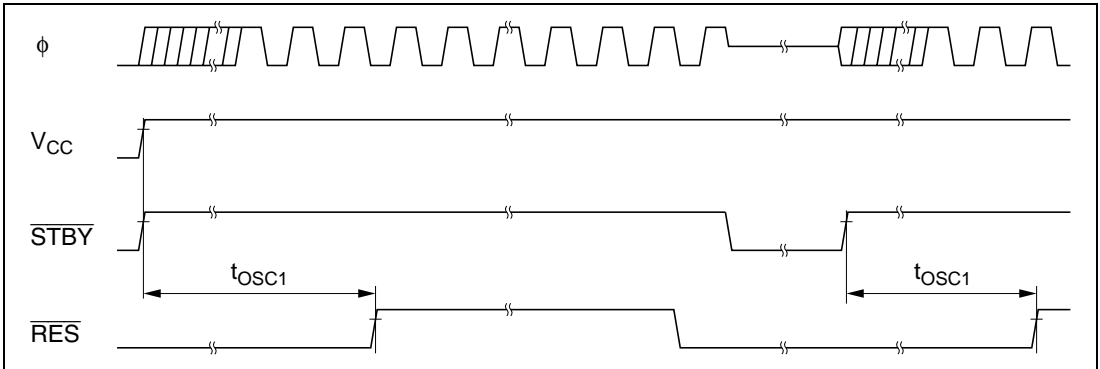


Figure 18.13 Oscillator Settling Timing

18.3.4 TPC and I/O Port Timing

TPC and I/O port timing is shown below.

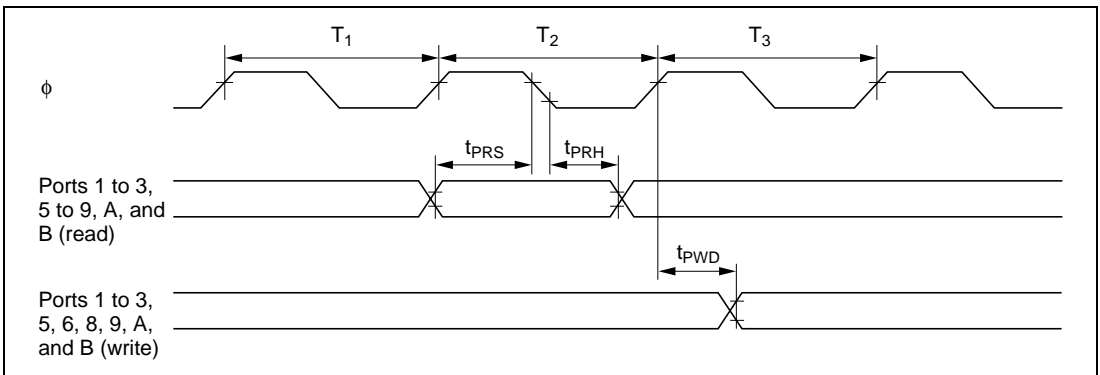


Figure 18.14 TPC and I/O Port Input/Output Timing

18.3.5 ITU Timing

ITU timing is shown as follows:

- ITU input/output timing

Figure 18.15 shows the ITU input/output timing.

- ITU external clock input timing

Figure 18.16 shows the ITU external clock input timing.

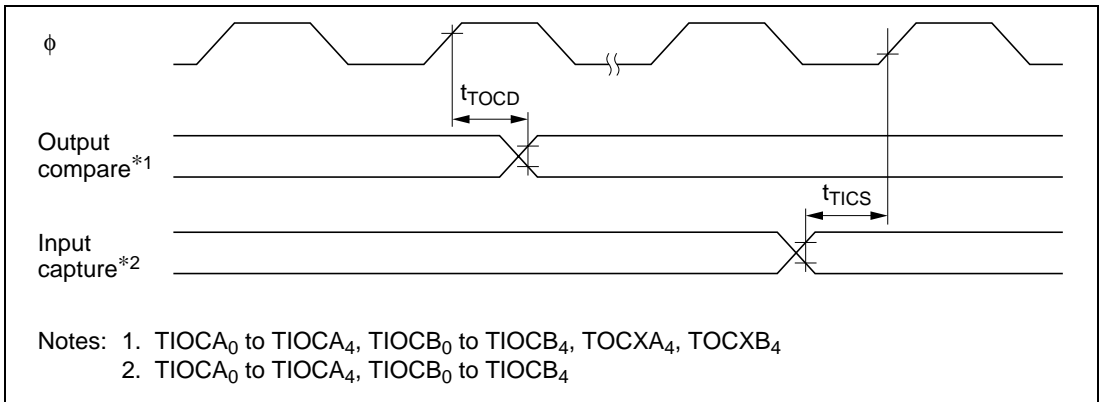


Figure 18.15 ITU Input/Output Timing

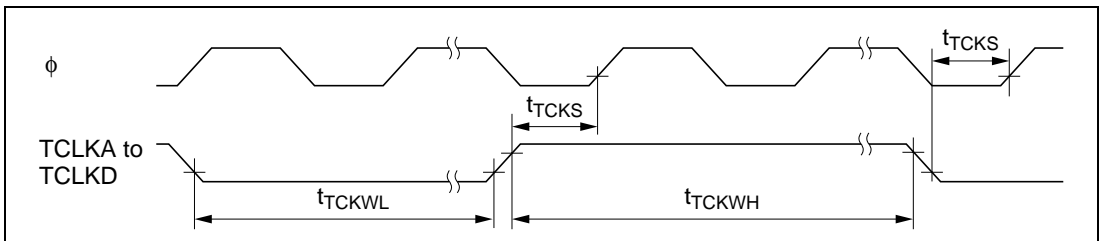


Figure 18.16 ITU External Clock Input Timing

18.3.6 SCI Input/Output Timing

SCI timing is shown as follows:

- SCI input clock timing
Figure 18.17 shows the SCI input clock timing.
- SCI input/output timing (synchronous mode)
Figure 18.18 shows the SCI input/output timing in synchronous mode.

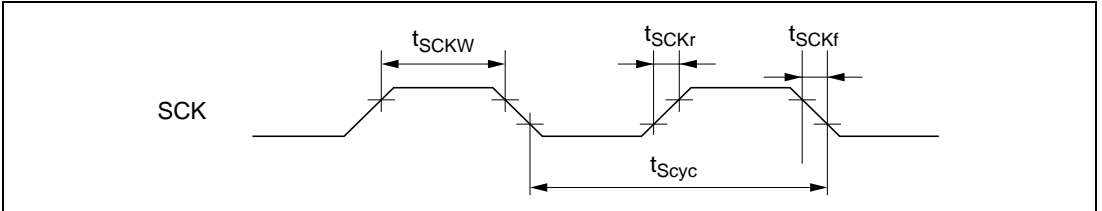


Figure 18.17 SCK Input Clock Timing

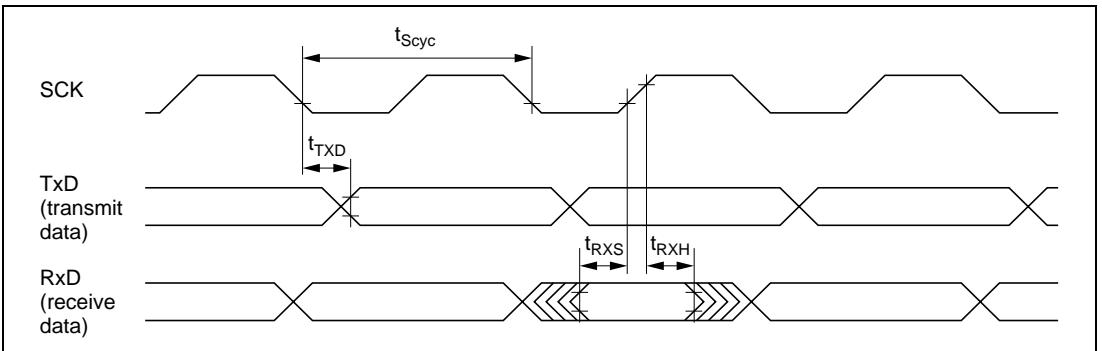


Figure 18.18 SCI Input/Output Timing in Synchronous Mode

Appendix A Instruction Set

A.1 Instruction List

Operand Notation

| Symbol | Description |
|----------|---|
| Rd | General destination register* |
| Rs | General source register* |
| Rn | General register* |
| ERd | General destination register (address register or 32-bit register) |
| ERs | General source register (address register or 32-bit register) |
| ERn | General register (32-bit register) |
| (EAd) | Destination operand |
| (EAs) | Source operand |
| PC | Program counter |
| SP | Stack pointer |
| CCR | Condition code register |
| N | N (negative) flag in CCR |
| Z | Z (zero) flag in CCR |
| V | V (overflow) flag in CCR |
| C | C (carry) flag in CCR |
| disp | Displacement |
| → | Transfer from the operand on the left to the operand on the right, or transition from the state on the left to the state on the right |
| + | Addition of the operands on both sides |
| − | Subtraction of the operand on the right from the operand on the left |
| × | Multiplication of the operands on both sides |
| ÷ | Division of the operand on the left by the operand on the right |
| ^ | Logical AND of the operands on both sides |
| • | Logical OR of the operands on both sides |
| ⊕ | Exclusive logical OR of the operands on both sides |
| ¬ | NOT (logical complement) |
| (), < > | Contents of operand |

Note: * General registers include 8-bit registers (R0H to R7H and R0L to R7L) and 16-bit registers (R0 to R7 and E0 to E7).

Condition Code Notation

| Symbol | Description |
|---------------|--|
| ↕ | Changed according to execution result |
| * | Undetermined (no guaranteed value) |
| 0 | Cleared to 0 |
| 1 | Set to 1 |
| — | Not affected by execution of the instruction |
| △ | Varies depending on conditions, described in notes |

Table A.1 Instruction Set

1. Data transfer instructions

| Mnemonic | Operand Size | Operation | Addressing Mode and Instruction Length (bytes) | | | | | | | | Condition Code | | | | | | No. of States*1 | | |
|------------------------|--------------|---------------------------------|--|----|------|------------|-------------|-----|-----------|------|----------------|---|---|---|---|---|-----------------|--------|----------|
| | | | #xx | Rn | @ERn | @ (d, ERn) | @-ERn/@ERn+ | @aa | @ (d, PC) | @@aa | Implied | I | H | N | Z | V | C | Normal | Advanced |
| | | | | | | | | | | | | | | | | | | | |
| MOV.B #xx:8, Rd | B | #xx:8 → Rd8 | 2 | | | | | | | | | | ↓ | ↓ | 0 | — | 2 | | |
| MOV.B Rs, Rd | B | Rs8 → Rd8 | | 2 | | | | | | | | | ↓ | ↓ | 0 | — | 2 | | |
| MOV.B @ERs, Rd | B | @ERs → Rd8 | | | 2 | | | | | | | | ↓ | ↓ | 0 | — | 4 | | |
| MOV.B @(d:16, ERs), Rd | B | @(d:16, ERs) → Rd8 | | | | 4 | | | | | | | ↓ | ↓ | 0 | — | 6 | | |
| MOV.B @(d:24, ERs), Rd | B | @(d:24, ERs) → Rd8 | | | | | 8 | | | | | | ↓ | ↓ | 0 | — | 10 | | |
| MOV.B @ERs+, Rd | B | @ERs → Rd8 ERs32+1 → ERs32 | | | | | | 2 | | | | | ↓ | ↓ | 0 | — | 6 | | |
| MOV.B @aa:8, Rd | B | @aa:8 → Rd8 | | | | | | | 2 | | | | ↓ | ↓ | 0 | — | 4 | | |
| MOV.B @aa:16, Rd | B | @aa:16 → Rd8 | | | | | | | | 4 | | | ↓ | ↓ | 0 | — | 6 | | |
| MOV.B @aa:24, Rd | B | @aa:24 → Rd8 | | | | | | | | | 6 | | ↓ | ↓ | 0 | — | 8 | | |
| MOV.B Rs, @ERd | B | Rs8 → @ERd | | | 2 | | | | | | | | ↓ | ↓ | 0 | — | 4 | | |
| MOV.B Rs, @(d:16, ERd) | B | Rd8 → @(d:16, ERd) | | | | 4 | | | | | | | ↓ | ↓ | 0 | — | 6 | | |
| MOV.B Rs, @(d:24, ERd) | B | Rd8 → @(d:24, ERd) | | | | | 8 | | | | | | ↓ | ↓ | 0 | — | 10 | | |
| MOV.B Rs, @-ERd | B | ERd32-1 → ERd32 Rs8 → @ERd | | | | | | 2 | | | | | ↓ | ↓ | 0 | — | 6 | | |
| MOV.B Rs, @aa:8 | B | Rs8 → @aa:8 | | | | | | | | 2 | | | ↓ | ↓ | 0 | — | 4 | | |
| MOV.B Rs, @aa:16 | B | Rs8 → @aa:16 | | | | | | | | | 4 | | ↓ | ↓ | 0 | — | 6 | | |
| MOV.B Rs, @aa:24 | B | Rs8 → @aa:24 | | | | | | | | | | 6 | ↓ | ↓ | 0 | — | 8 | | |
| MOV.W #xx:16, Rd | W | #xx:16 → Rd16 | 4 | | | | | | | | | | ↓ | ↓ | 0 | — | 4 | | |
| MOV.W Rs, Rd | W | Rs16 → Rd16 | | 2 | | | | | | | | | ↓ | ↓ | 0 | — | 2 | | |
| MOV.W @ERs, Rd | W | @ERs → Rd16 | | | 2 | | | | | | | | ↓ | ↓ | 0 | — | 4 | | |
| MOV.W @(d:16, ERs), Rd | W | @(d:16, ERs) → Rd16 | | | | 4 | | | | | | | ↓ | ↓ | 0 | — | 6 | | |
| MOV.W @(d:24, ERs), Rd | W | @(d:24, ERs) → Rd16 | | | | | 8 | | | | | | ↓ | ↓ | 0 | — | 10 | | |
| MOV.W @ERs+, Rd | W | @ERs → Rd16 ERs32+2 → @ERd32 | | | | | | 2 | | | | | ↓ | ↓ | 0 | — | 6 | | |
| MOV.W @aa:16, Rd | W | @aa:16 → Rd16 | | | | | | | | | 4 | | ↓ | ↓ | 0 | — | 6 | | |

| Mnemonic | Operand Size | Operation | Addressing Mode and Instruction Length (bytes) | | | | | | | | Condition Code | | | | | | No. of States*1 | | | |
|-------------------------|--------------|---------------------------------|--|----|------|------------|-------------|-----|-----------|-------|----------------|---|---|---|---|---|-----------------|--------|----------|----|
| | | | #xx | Rn | @ERn | @ (d, ERn) | @-ERn/@ERn+ | @aa | @ (d, PC) | @ @aa | Implied | I | H | N | Z | V | C | Normal | Advanced | |
| | | | | | | | | | | | | | | | | | | | | |
| MOV.W @aa:24, Rd | W | @aa:24 → Rd16 | | | | | | 6 | | | | | | — | — | ↓ | ↓ | 0 | — | 8 |
| MOV.W Rs, @ERd | W | Rs16 → @ERd | | | 2 | | | | | | | | | — | — | ↓ | ↓ | 0 | — | 4 |
| MOV.W Rs, @(d:16, ERd) | W | Rs16 → @(d:16, ERd) | | | | 4 | | | | | | | | — | — | ↓ | ↓ | 0 | — | 6 |
| MOV.W Rs, @(d:24, ERd) | W | Rs16 → @(d:24, ERd) | | | | | 8 | | | | | | | — | — | ↓ | ↓ | 0 | — | 8 |
| MOV.W Rs, @-ERd | W | ERd32-2 → ERd32 Rs16 → @ERd | | | | | | 2 | | | | | | — | — | ↓ | ↓ | 0 | — | 6 |
| MOV.W Rs, @aa:16 | W | Rs16 → @aa:16 | | | | | | 4 | | | | | | — | — | ↓ | ↓ | 0 | — | 6 |
| MOV.W Rs, @aa:24 | W | Rs16 → @aa:24 | | | | | | 6 | | | | | | — | — | ↓ | ↓ | 0 | — | 8 |
| MOV.L #xx:32, Rd | L | #xx:32 → Rd32 | 6 | | | | | | | | | | | — | — | ↓ | ↓ | 0 | — | 6 |
| MOV.L ERs, ERd | L | ERs32 → ERd32 | | 2 | | | | | | | | | | — | — | ↓ | ↓ | 0 | — | 2 |
| MOV.L @ERs, ERd | L | @ERs → ERd32 | | | 4 | | | | | | | | | — | — | ↓ | ↓ | 0 | — | 8 |
| MOV.L @(d:16, ERs), ERd | L | @(d:16, ERs) → ERd32 | | | | 6 | | | | | | | | — | — | ↓ | ↓ | 0 | — | 10 |
| MOV.L @(d:24, ERs), ERd | L | @(d:24, ERs) → ERd32 | | | | | 10 | | | | | | | — | — | ↓ | ↓ | 0 | — | 14 |
| MOV.L @ERs+, ERd | L | @ERs → ERd32 ERs32+4 → ERs32 | | | | | | 4 | | | | | | — | — | ↓ | ↓ | 0 | — | 10 |
| MOV.L @aa:16, ERd | L | @aa:16 → ERd32 | | | | | | 6 | | | | | | — | — | ↓ | ↓ | 0 | — | 10 |
| MOV.L @aa:24, ERd | L | @aa:24 → ERd32 | | | | | | 8 | | | | | | — | — | ↓ | ↓ | 0 | — | 12 |
| MOV.L ERs, @ERd | L | ERs32 → @ERd | | | 4 | | | | | | | | | — | — | ↓ | ↓ | 0 | — | 8 |
| MOV.L ERs, @(d:16, ERd) | L | ERs32 → @(d:16, ERd) | | | | 6 | | | | | | | | — | — | ↓ | ↓ | 0 | — | 10 |
| MOV.L ERs, @(d:24, ERd) | L | ERs32 → @(d:24, ERd) | | | | | 10 | | | | | | | — | — | ↓ | ↓ | 0 | — | 14 |
| MOV.L ERs, @-ERd | L | ERd32-4 → ERd32 ERs32 → @ERd | | | | | | 4 | | | | | | — | — | ↓ | ↓ | 0 | — | 10 |
| MOV.L ERs, @aa:16 | L | ERs32 → @aa:16 | | | | | | 6 | | | | | | — | — | ↓ | ↓ | 0 | — | 10 |
| MOV.L ERs, @aa:24 | L | ERs32 → @aa:24 | | | | | | 8 | | | | | | — | — | ↓ | ↓ | 0 | — | 12 |
| POP.W Rn | W | @SP → Rn16 SP+2 → SP | | | | | | | 2 | | | | | — | — | ↓ | ↓ | 0 | — | 6 |
| POP.L ERn | L | @SP → ERn32 SP+4 → SP | | | | | | | 4 | | | | | — | — | ↓ | ↓ | 0 | — | 10 |

| Mnemonic | Operand Size | Operation | Addressing Mode and Instruction Length (bytes) | | | | | | | | Condition Code | | | | | | No. of States ^{*1} | | |
|----------------------|--------------|--|--|----|-------|------------|--------------|------|-----------|-------|----------------|--|---|---|---|---|-----------------------------|--------|----------|
| | | | #xx | Rn | @ ERn | @ (d, ERn) | @—ERn/@ ERn+ | @ aa | @ (d, PC) | @ @aa | Implied | I | H | N | Z | V | C | Normal | Advanced |
| | | | | | | | | | | | | | | | | | | | |
| PUSH.W Rn | W | SP-2 → SP Rn16 → @SP | | | | | | | | | 2 | — | — | ↕ | ↕ | 0 | — | 6 | |
| PUSH.L ERn | L | SP-4 → SP ERn32 → @SP | | | | | | | | | 4 | — | — | ↕ | ↕ | 0 | — | 10 | |
| MOVFPE @aa:16, Rd | B | Cannot be used in the H8/3039 Group | | | | | | 4 | | | | Cannot be used in the H8/3039 Group | | | | | | | |
| MOVTPE Rs, @aa:16 | B | Cannot be used in the H8/3039 Group | | | | | | 4 | | | | Cannot be used in the H8/3039 Group | | | | | | | |

2. Arithmetic instructions

| Mnemonic | Operand Size | Operation | Addressing Mode and Instruction Length (bytes) | | | | | | | | Condition Code | | | | | | No. of States ^{*1} | | |
|-------------------|--------------|----------------------|--|----|------|------------|-------------|-----|-----------|------|----------------|-----|---|-----|---|---|-----------------------------|--------|----------|
| | | | #xx | Rn | @ERn | @ (d, ERn) | @-ERn/@ERn+ | @aa | @ (d, PC) | @@aa | Implied | I | H | N | Z | V | C | Normal | Advanced |
| | | | | | | | | | | | | | | | | | | | |
| ADD.B #xx:8, Rd | B | Rd8+#xx:8 → Rd8 | 2 | | | | | | | | — | ⇕ | ⇕ | ⇕ | ⇕ | ⇕ | 2 | | |
| ADD.B Rs, Rd | B | Rd8+Rs8 → Rd8 | | 2 | | | | | | | — | ⇕ | ⇕ | ⇕ | ⇕ | ⇕ | 2 | | |
| ADD.W #xx:16, Rd | W | Rd16+#xx:16 → Rd16 | 4 | | | | | | | | — | (1) | ⇕ | ⇕ | ⇕ | ⇕ | 4 | | |
| ADD.W Rs, Rd | W | Rd16+Rs16 → Rd16 | | 2 | | | | | | | — | (1) | ⇕ | ⇕ | ⇕ | ⇕ | 2 | | |
| ADD.L #xx:32, ERd | L | ERd32+#xx:32 → ERd32 | 6 | | | | | | | | — | (2) | ⇕ | ⇕ | ⇕ | ⇕ | 6 | | |
| ADD.L ERs, ERd | L | ERd32+ERs32 → ERd32 | | 2 | | | | | | | — | (2) | ⇕ | ⇕ | ⇕ | ⇕ | 2 | | |
| ADDX.B #xx:8, Rd | B | Rd8+#xx:8 +C → Rd8 | 2 | | | | | | | | — | ⇕ | ⇕ | (3) | ⇕ | ⇕ | 2 | | |
| ADDX.B Rs, Rd | B | Rd8+Rs8 +C → Rd8 | | 2 | | | | | | | — | ⇕ | ⇕ | (3) | ⇕ | ⇕ | 2 | | |
| ADDS.L #1, ERd | L | ERd32+1 → ERd32 | | 2 | | | | | | | — | — | — | — | — | — | 2 | | |
| ADDS.L #2, ERd | L | ERd32+2 → ERd32 | | 2 | | | | | | | — | — | — | — | — | — | 2 | | |
| ADDS.L #4, ERd | L | ERd32+4 → ERd32 | | 2 | | | | | | | — | — | — | — | — | — | 2 | | |
| INC.B Rd | B | Rd8+1 → Rd8 | | 2 | | | | | | | — | — | ⇕ | ⇕ | ⇕ | — | 2 | | |
| INC.W #1, Rd | W | Rd16+1 → Rd16 | | 2 | | | | | | | — | — | ⇕ | ⇕ | ⇕ | — | 2 | | |
| INC.W #2, Rd | W | Rd16+2 → Rd16 | | 2 | | | | | | | — | — | ⇕ | ⇕ | ⇕ | — | 2 | | |

| Mnemonic | Operand Size | Operation | Addressing Mode and Instruction Length (bytes) | | | | | | | | Condition Code | | | | | | No. of States ^{*1} | | |
|-------------------|--------------|--|--|----|-------|------------|--------------|------|-----------|-------|----------------|-----|-----|-----|-----|---|-----------------------------|--------|----------|
| | | | #xx | Rn | @ ERn | @ (d, ERn) | @-ERn/@ ERn+ | @ aa | @ (d, PC) | @ @aa | Implied | I | H | N | Z | V | C | Normal | Advanced |
| | | | | | | | | | | | | | | | | | | | |
| INC.L #1, ERd | L | ERd32+1 → ERd32 | 2 | | | | | | | | | | ↓ | ↓ | ↓ | — | 2 | | |
| INC.L #2, ERd | L | ERd32+2 → ERd32 | 2 | | | | | | | | | | ↓ | ↓ | ↓ | — | 2 | | |
| DAA Rd | B | Rd8 decimal adjust → Rd8 | 2 | | | | | | | | | * | ↓ | ↓ | * | — | 2 | | |
| SUB.B Rs, Rd | B | Rd8-Rs8 → Rd8 | 2 | | | | | | | | | | ↓ | ↓ | ↓ | ↓ | 2 | | |
| SUB.W #xx:16, Rd | W | Rd16-#xx:16 → Rd16 | 4 | | | | | | | | | (1) | ↓ | ↓ | ↓ | ↓ | 4 | | |
| SUB.W Rs, Rd | W | Rd16-Rs16 → Rd16 | 2 | | | | | | | | | (1) | ↓ | ↓ | ↓ | ↓ | 2 | | |
| SUB.L #xx:32, ERd | L | ERd32-#xx:32 → ERd32 | 6 | | | | | | | | | (2) | ↓ | ↓ | ↓ | ↓ | 6 | | |
| SUB.L ERs, ERd | L | ERd32-ERs32 → ERd32 | 2 | | | | | | | | | (2) | ↓ | ↓ | ↓ | ↓ | 2 | | |
| SUBX.B #xx:8, Rd | B | Rd8-#xx:8-C → Rd8 | 2 | | | | | | | | | | ↓ | ↓ | (3) | ↓ | ↓ | 2 | |
| SUBX.B Rs, Rd | B | Rd8-Rs8-C → Rd8 | 2 | | | | | | | | | | ↓ | ↓ | (3) | ↓ | ↓ | 2 | |
| SUBS.L #1, ERd | L | ERd32-1 → ERd32 | 2 | | | | | | | | | | — | — | — | — | 2 | | |
| SUBS.L #2, ERd | L | ERd32-2 → ERd32 | 2 | | | | | | | | | | — | — | — | — | 2 | | |
| SUBS.L #4, ERd | L | ERd32-4 → ERd32 | 2 | | | | | | | | | | — | — | — | — | 2 | | |
| DEC.B Rd | B | Rd8-1 → Rd8 | 2 | | | | | | | | | | ↓ | ↓ | ↓ | — | 2 | | |
| DEC.W #1, Rd | W | Rd16-1 → Rd16 | 2 | | | | | | | | | | ↓ | ↓ | ↓ | — | 2 | | |
| DEC.W #2, Rd | W | Rd16-2 → Rd16 | 2 | | | | | | | | | | ↓ | ↓ | ↓ | — | 2 | | |
| DEC.L #1, ERd | L | ERd32-1 → ERd32 | 2 | | | | | | | | | | ↓ | ↓ | ↓ | — | 2 | | |
| DEC.L #2, ERd | L | ERd32-2 → ERd32 | 2 | | | | | | | | | | ↓ | ↓ | ↓ | — | 2 | | |
| DAS.Rd | B | Rd8 decimal adjust → Rd8 | 2 | | | | | | | | | * | ↓ | ↓ | * | — | 2 | | |
| MULXU. B Rs, Rd | B | Rd8 × Rs8 → Rd16 (unsigned multiplication) | 2 | | | | | | | | | | — | — | — | — | 14 | | |
| MULXU. W Rs, ERd | W | Rd16 × Rs16 → ERd32 (unsigned multiplication) | 2 | | | | | | | | | | — | — | — | — | 22 | | |
| MULXS. B Rs, Rd | B | Rd8 × Rs8 → Rd16 (signed multiplication) | 4 | | | | | | | | | | ↓ | ↓ | — | — | 16 | | |
| MULXS. W Rs, ERd | W | Rd16 × Rs16 → ERd32 (signed multiplication) | 4 | | | | | | | | | | ↓ | ↓ | — | — | 24 | | |
| DIVXU. B Rs, Rd | B | Rd16 ÷ Rs8 → Rd16 (RdH: remainder, RdL: quotient) (unsigned division) | 2 | | | | | | | | | | (6) | (7) | — | — | 14 | | |

| Mnemonic | Operand Size | Operation | Addressing Mode and Instruction Length (bytes) | | | | | | | | Condition Code | | | | | | No. of States ^{*1} | | |
|-------------------|--------------|---|--|----|------|------------|-------------|-----|-----------|-------|----------------|-----|-----|-----|---|---|-----------------------------|--------|----------|
| | | | #xx | Rn | @ERn | @ (d, ERn) | @-ERn/@ERn+ | @aa | @ (d, PC) | @ @aa | Implied | I | H | N | Z | V | C | Normal | Advanced |
| | | | | | | | | | | | | | | | | | | | |
| DIVXU.W Rs, ERd | W | ERd32 ÷ Rs16 → ERd32 (Ed: remainder, Rd: quotient) (unsigned division) | | 2 | | | | | | | | | (6) | (7) | | | 22 | | |
| DIVXS.B Rs, Rd | B | Rd16 ÷ Rs8 → Rd16 (RdH: remainder, RdL: quotient) (signed division) | | 4 | | | | | | | | | (8) | (7) | | | 16 | | |
| DIVXS.W Rs, ERd | W | ERd32 ÷ Rs16 → ERd32 (Ed: remainder, Rd: quotient) (signed division) | | 4 | | | | | | | | | (8) | (7) | | | 24 | | |
| CMP.B #xx:8, Rd | B | Rd8-#xx:8 | 2 | | | | | | | | | | ↓ | ↓ | ↓ | ↓ | 2 | | |
| CMP.B Rs, Rd | B | Rd8-Rs8 | 2 | | | | | | | | | | ↓ | ↓ | ↓ | ↓ | 2 | | |
| CMP.W #xx:16, Rd | W | Rd16-#xx:16 | 4 | | | | | | | | | (1) | ↓ | ↓ | ↓ | ↓ | 4 | | |
| CMP.W Rs, Rd | W | Rd16-Rs16 | 2 | | | | | | | | | (1) | ↓ | ↓ | ↓ | ↓ | 2 | | |
| CMP.L #xx:32, ERd | L | ERd32-#xx:32 | 6 | | | | | | | | | (2) | ↓ | ↓ | ↓ | ↓ | 4 | | |
| CMP.L ERs, ERd | L | ERd32-ERs32 | 2 | | | | | | | | | (2) | ↓ | ↓ | ↓ | ↓ | 2 | | |
| NEG.B Rd | B | 0-Rd8 → Rd8 | 2 | | | | | | | | | | ↓ | ↓ | ↓ | ↓ | 2 | | |
| NEG.W Rd | W | 0-Rd16 → Rd16 | 2 | | | | | | | | | | ↓ | ↓ | ↓ | ↓ | 2 | | |
| NEG.L ERd | L | 0-ERd32 → ERd32 | 2 | | | | | | | | | | ↓ | ↓ | ↓ | ↓ | 2 | | |
| EXTU.W Rd | W | 0 → (<bits 15 to 8> of Rd16) | 2 | | | | | | | | | | 0 | ↓ | 0 | | 2 | | |
| EXTU.L ERd | L | 0 → (<bits 31 to 16> of Rd32) | 2 | | | | | | | | | | 0 | ↓ | 0 | | 2 | | |
| EXTS.W Rd | W | (<bit 7> of Rd16) → (<bits 15 to 8> of Rd16) | 2 | | | | | | | | | | ↓ | ↓ | 0 | | 2 | | |
| EXTS.L ERd | L | (<bit 15> of Rd32) → (<bits 31 to 16> of ERd32) | 2 | | | | | | | | | | ↓ | ↓ | 0 | | 2 | | |

3. Logic instructions

| Mnemonic | Operand Size | Operation | Addressing Mode and Instruction Length (bytes) | | | | | | | | Condition Code | | | | | No. of States ^{*1} | | | |
|-------------------|--------------|----------------------|--|----|------|------------|-------------|-----|-----------|------|----------------|---|---|---|---|-----------------------------|---|--------|----------|
| | | | #xx | Rn | @ERn | @ (d, ERn) | @-ERn/@ERn+ | @aa | @ (d, PC) | @@aa | Implied | I | H | N | Z | V | C | Normal | Advanced |
| | | | | | | | | | | | | | | | | | | | |
| AND.B #xx:8, Rd | B | Rd8^#xx:8 → Rd8 | 2 | | | | | | | | | — | — | ↓ | ↓ | 0 | — | 2 | |
| AND.B Rs, Rd | B | Rd8^Rs8 → Rd8 | 2 | | | | | | | | | — | — | ↓ | ↓ | 0 | — | 2 | |
| AND.W #xx:16, Rd | W | Rd16^#xx:16 → Rd16 | 4 | | | | | | | | | — | — | ↓ | ↓ | 0 | — | 4 | |
| AND.W Rs, Rd | W | Rd16^Rs16 → Rd16 | 2 | | | | | | | | | — | — | ↓ | ↓ | 0 | — | 2 | |
| AND.L #xx:32, ERd | L | ERd32^#xx:32 → ERd32 | 6 | | | | | | | | | — | — | ↓ | ↓ | 0 | — | 6 | |
| AND.L ERs, ERd | L | ERd32^ERs32 → ERd32 | 4 | | | | | | | | | — | — | ↓ | ↓ | 0 | — | 4 | |
| OR.B #xx:8, Rd | B | Rd8∨#xx:8 → Rd8 | 2 | | | | | | | | | — | — | ↓ | ↓ | 0 | — | 2 | |
| OR.B Rs, Rd | B | Rd8∨Rs8 → Rd8 | 2 | | | | | | | | | — | — | ↓ | ↓ | 0 | — | 2 | |
| OR.W #xx:16, Rd | W | Rd16∨#xx:16 → Rd16 | 4 | | | | | | | | | — | — | ↓ | ↓ | 0 | — | 4 | |
| OR.W Rs, Rd | W | Rd16∨Rs16 → Rd16 | 2 | | | | | | | | | — | — | ↓ | ↓ | 0 | — | 2 | |
| OR.L #xx:32, ERd | L | ERd32∨#xx:32 → ERd32 | 6 | | | | | | | | | — | — | ↓ | ↓ | 0 | — | 6 | |
| OR.L ERs, ERd | L | ERd32∨ERs32 → ERd32 | 4 | | | | | | | | | — | — | ↓ | ↓ | 0 | — | 4 | |
| XOR.B #xx:8, Rd | B | Rd8⊕#xx:8 → Rd8 | 2 | | | | | | | | | — | — | ↓ | ↓ | 0 | — | 2 | |
| XOR.B Rs, Rd | B | Rd8⊕Rs8 → Rd8 | 2 | | | | | | | | | — | — | ↓ | ↓ | 0 | — | 2 | |
| XOR.W #xx:16, Rd | W | Rd16⊕#xx:16 → Rd16 | 4 | | | | | | | | | — | — | ↓ | ↓ | 0 | — | 4 | |
| XOR.W Rs, Rd | W | Rd16⊕Rs16 → Rd16 | 2 | | | | | | | | | — | — | ↓ | ↓ | 0 | — | 2 | |
| XOR.L #xx:32, ERd | L | ERd32⊕#xx:32 → ERd32 | 6 | | | | | | | | | — | — | ↓ | ↓ | 0 | — | 6 | |
| XOR.L ERs, ERd | L | ERd32⊕ERs32 → ERd32 | 4 | | | | | | | | | — | — | ↓ | ↓ | 0 | — | 4 | |
| NOT.B Rd | B | ¬ Rd8 → Rd8 | 2 | | | | | | | | | — | — | ↓ | ↓ | 0 | — | 2 | |
| NOT.W Rd | W | ¬ Rd16 → Rd16 | 2 | | | | | | | | | — | — | ↓ | ↓ | 0 | — | 2 | |
| NOT.L ERd | L | ¬ Rd32 → Rd32 | 2 | | | | | | | | | — | — | ↓ | ↓ | 0 | — | 2 | |

4. Shift instructions

| Mnemonic | Operand Size | Operation | Addressing Mode and Instruction Length (bytes) | | | | | | | | Condition Code | | | | | | No. of States ^{*1} | | |
|-------------|--------------|-----------------------|--|----|------|-----------|-------------|-----|----------|------|----------------|---|---|---|---|---|-----------------------------|--------|----------|
| | | | #xx | Rn | @ERn | @(d, ERn) | @-ERn/@ERn+ | @aa | @(d, PC) | @@aa | Implied | I | H | N | Z | V | C | Normal | Advanced |
| | | | | | | | | | | | | | | | | | | | |
| SHAL.B Rd | B | | 2 | | | | | | | | | | | | | | | 2 | |
| SHAL.W Rd | W | | 2 | | | | | | | | | | | | | | | 2 | |
| SHALL.ERd | L | C MSB LSB | 2 | | | | | | | | | | | | | | | 2 | |
| SHAR.B Rd | B | | 2 | | | | | | | | | | | | | | | 2 | |
| SHAR.W Rd | W | | 2 | | | | | | | | | | | | | | | 2 | |
| SHAR.L ERd | L | MSB LSB C | 2 | | | | | | | | | | | | | | | 2 | |
| SHLL.B Rd | B | | 2 | | | | | | | | | | | | | | | 2 | |
| SHLL.W Rd | W | | 2 | | | | | | | | | | | | | | | 2 | |
| SHLL.L ERd | L | C MSB LSB | 2 | | | | | | | | | | | | | | | 2 | |
| SHLR.B Rd | B | | 2 | | | | | | | | | | | | | | | 2 | |
| SHLR.W Rd | W | | 2 | | | | | | | | | | | | | | | 2 | |
| SHLR.L ERd | L | MSB LSB C | 2 | | | | | | | | | | | | | | | 2 | |
| ROTXL.B Rd | B | | 2 | | | | | | | | | | | | | | | 2 | |
| ROTXL.W Rd | W | | 2 | | | | | | | | | | | | | | | 2 | |
| ROTXL.L ERd | L | C MSB ← LSB | 2 | | | | | | | | | | | | | | | 2 | |
| ROTXR.B Rd | B | | 2 | | | | | | | | | | | | | | | 2 | |
| ROTXR.W Rd | W | | 2 | | | | | | | | | | | | | | | 2 | |
| ROTXR.L ERd | L | MSB → LSB C | 2 | | | | | | | | | | | | | | | 2 | |
| ROTL.B Rd | B | | 2 | | | | | | | | | | | | | | | 2 | |
| ROTL.W Rd | W | | 2 | | | | | | | | | | | | | | | 2 | |
| ROTL.L ERd | L | C MSB ← LSB | 2 | | | | | | | | | | | | | | | 2 | |
| ROTR.B Rd | B | | 2 | | | | | | | | | | | | | | | 2 | |
| ROTR.W Rd | W | | 2 | | | | | | | | | | | | | | | 2 | |
| ROTR.L ERd | L | MSB → LSB C | 2 | | | | | | | | | | | | | | | 2 | |

5. Bit manipulation instructions

| Mnemonic | Operand Size | Operation | Addressing Mode and Instruction Length (bytes) | | | | | | | | Condition Code | | | | | | No. of States ^{*1} | | |
|-------------------|--------------|--|--|----|------|------------|-------------|-----|-----------|------|----------------|---|---|---|---|---|-----------------------------|--------|----------|
| | | | #xx | Rn | @ERn | @ (d, ERn) | @-ERn/@ERn+ | @aa | @ (d, PC) | @@aa | Implied | I | H | N | Z | V | C | Normal | Advanced |
| | | | | | | | | | | | | | | | | | | | |
| BSET #xx:3, Rd | B | (#xx:3 of Rd8) ← 1 | | 2 | | | | | | | | | | | | | | 2 | |
| BSET #xx:3, @ERd | B | (#xx:3 of @ERd) ← 1 | | | 4 | | | | | | | | | | | | | 8 | |
| BSET #xx:3, @aa:8 | B | (#xx:3 of @aa:8) ← 1 | | | | | 4 | | | | | | | | | | | 8 | |
| BSET Rn, Rd | B | (Rn8 of Rd8) ← 1 | | 2 | | | | | | | | | | | | | | 2 | |
| BSET Rn, @ERd | B | (Rn8 of @ERd) ← 1 | | | 4 | | | | | | | | | | | | | 8 | |
| BSET Rn, @aa:8 | B | (Rn8 of @aa:8) ← 1 | | | | | 4 | | | | | | | | | | | 8 | |
| BCLR #xx:3, Rd | B | (#xx:3 of Rd8) ← 0 | | 2 | | | | | | | | | | | | | | 2 | |
| BCLR #xx:3, @ERd | B | (#xx:3 of @ERd) ← 0 | | | 4 | | | | | | | | | | | | | 8 | |
| BCLR #xx:3, @aa:8 | B | (#xx:3 of @aa:8) ← 0 | | | | | 4 | | | | | | | | | | | 8 | |
| BCLR Rn, Rd | B | (Rn8 of Rd8) ← 0 | | 2 | | | | | | | | | | | | | | 2 | |
| BCLR Rn, @ERd | B | (Rn8 of @ERd) ← 0 | | | 4 | | | | | | | | | | | | | 8 | |
| BCLR Rn, @aa:8 | B | (Rn8 of @aa:8) ← 0 | | | | | 4 | | | | | | | | | | | 8 | |
| BNOT #xx:3, Rd | B | (#xx:3 of Rd8) ← ¬ (#xx:3 of Rd8) | | 2 | | | | | | | | | | | | | | 2 | |
| BNOT #xx:3, @ERd | B | (#xx:3 of @ERd) ← ¬ (#xx:3 of @ERd) | | | 4 | | | | | | | | | | | | | 8 | |
| BNOT #xx:3, @aa:8 | B | (#xx:3 of @aa:8) ← ¬ (#xx:3 of @aa:8) | | | | | 4 | | | | | | | | | | | 8 | |
| BNOT Rn, Rd | B | (Rn8 of Rd8) ← ¬ (Rn8 of Rd8) | | 2 | | | | | | | | | | | | | | 2 | |
| BNOT Rn, @ERd | B | (Rn8 of @ERd) ← ¬ (Rn8 of @ERd) | | | 4 | | | | | | | | | | | | | 8 | |
| BNOT Rn, @aa:8 | B | (Rn8 of @aa:8) ← ¬ (Rn8 of @aa:8) | | | | | 4 | | | | | | | | | | | 8 | |
| BTST #xx:3, Rd | B | ¬ (#xx:3 of Rd8) → Z | | 2 | | | | | | | | | | ↑ | | | | 2 | |
| BTST #xx:3, @ERd | B | ¬ (#xx:3 of @ERd) → Z | | | 4 | | | | | | | | | ↑ | | | | 6 | |
| BTST #xx:3, @aa:8 | B | ¬ (#xx:3 of @aa:8) → Z | | | | | 4 | | | | | | | ↑ | | | | 6 | |
| BTST Rn, Rd | B | ¬ (Rn8 of @Rd8) → Z | | 2 | | | | | | | | | | ↑ | | | | 2 | |
| BTST Rn, @ERd | B | ¬ (Rn8 of @ERd) → Z | | | 4 | | | | | | | | | ↑ | | | | 6 | |
| BTST Rn, @aa:8 | B | ¬ (Rn8 of @aa:8) → Z | | | | | 4 | | | | | | | ↑ | | | | 6 | |
| BLD #xx:3, Rd | B | (#xx:3 of Rd8) → C | | 2 | | | | | | | | | | | | ↑ | | 2 | |

| Mnemonic | Operand Size | Operation | Addressing Mode and Instruction Length (bytes) | | | | | | | | Condition Code | | | | | | No. of States ^{*1} | | |
|--------------------|--------------|-----------------------------|--|----|------|------------|-------------|-----|-----------|-------|----------------|---|---|---|---|---|-----------------------------|--------|----------|
| | | | #xx | Rn | @ERn | @ (d, ERn) | @-ERn/@ERn+ | @aa | @ (d, PC) | @ @aa | Implied | I | H | N | Z | V | C | Normal | Advanced |
| | | | | | | | | | | | | | | | | | | | |
| BLD #xx:3, @ERd | B | (#xx:3 of @ERd) → C | | 4 | | | | | | | | | | | ↕ | | 6 | | |
| BLD #xx:3, @aa:8 | B | (#xx:3 of @aa:8) → C | | | | | 4 | | | | | | | | ↕ | | 6 | | |
| BILD #xx:3, Rd | B | ¬ (#xx:3 of Rd8) → C | 2 | | | | | | | | | | | | ↕ | | 2 | | |
| BILD #xx:3, @ERd | B | ¬ (#xx:3 of @ERd) → C | | 4 | | | | | | | | | | | ↕ | | 6 | | |
| BILD #xx:3, @aa:8 | B | ¬ (#xx:3 of @aa:8) → C | | | | | 4 | | | | | | | | ↕ | | 6 | | |
| BST #xx:3, Rd | B | C → (#xx:3 of Rd8) | 2 | | | | | | | | | | | | | | 2 | | |
| BST #xx:3, @ERd | B | C → (#xx:3 of @ERd24) | | 4 | | | | | | | | | | | | | 8 | | |
| BST #xx:3, @aa:8 | B | C → (#xx:3 of @aa:8) | | | | | 4 | | | | | | | | | | 8 | | |
| BIST #xx:3, Rd | B | ¬ C → (#xx:3 of Rd8) | 2 | | | | | | | | | | | | | | 2 | | |
| BIST #xx:3, @ERd | B | ¬ C → (#xx:3 of @ERd24) | | 4 | | | | | | | | | | | | | 8 | | |
| BIST #xx:3, @aa:8 | B | ¬ C → (#xx:3 of @aa:8) | | | | | 4 | | | | | | | | | | 8 | | |
| BAND #xx:3, Rd | B | C ∧ (#xx:3 of Rd8) → C | 2 | | | | | | | | | | | | ↕ | | 2 | | |
| BAND #xx:3, @ERd | B | C ∧ (#xx:3 of @ERd24) → C | | 4 | | | | | | | | | | | ↕ | | 6 | | |
| BAND #xx:3, @aa:8 | B | C ∧ (#xx:3 of @aa:8) → C | | | | | 4 | | | | | | | | ↕ | | 6 | | |
| BIAND #xx:3, Rd | B | C ∧ ¬ (#xx:3 of Rd8) → C | 2 | | | | | | | | | | | | ↕ | | 2 | | |
| BIAND #xx:3, @ERd | B | C ∧ ¬ (#xx:3 of @ERd24) → C | | 4 | | | | | | | | | | | ↕ | | 6 | | |
| BIAND #xx:3, @aa:8 | B | C ∧ ¬ (#xx:3 of @aa:8) → C | | | | | 4 | | | | | | | | ↕ | | 6 | | |
| BOR #xx:3, Rd | B | C ∨ (#xx:3 of Rd8) → C | 2 | | | | | | | | | | | | ↕ | | 2 | | |
| BOR #xx:3, @ERd | B | C ∨ (#xx:3 of @ERd24) → C | | 4 | | | | | | | | | | | ↕ | | 6 | | |
| BOR #xx:3, @aa:8 | B | C ∨ (#xx:3 of @aa:8) → C | | | | | 4 | | | | | | | | ↕ | | 6 | | |
| BIOR #xx:3, Rd | B | C ∨ ¬ (#xx:3 of Rd8) → C | 2 | | | | | | | | | | | | ↕ | | 2 | | |
| BIOR #xx:3, @ERd | B | C ∨ ¬ (#xx:3 of @ERd24) → C | | 4 | | | | | | | | | | | ↕ | | 6 | | |
| BIOR #xx:3, @aa:8 | B | C ∨ ¬ (#xx:3 of @aa:8) → C | | | | | 4 | | | | | | | | ↕ | | 6 | | |
| BXOR #xx:3, Rd | B | C ⊕ (#xx:3 of Rd8) → C | 2 | | | | | | | | | | | | ↕ | | 2 | | |
| BXOR #xx:3, @ERd | B | C ⊕ (#xx:3 of @ERd24) → C | | 4 | | | | | | | | | | | ↕ | | 6 | | |
| BXOR #xx:3, @aa:8 | B | C ⊕ (#xx:3 of @aa:8) → C | | | | | 4 | | | | | | | | ↕ | | 6 | | |
| BIXOR #xx:3, Rd | B | C ⊕ ¬ (#xx:3 of Rd8) → C | 2 | | | | | | | | | | | | ↕ | | 2 | | |
| BIXOR #xx:3, @ERd | B | C ⊕ ¬ (#xx:3 of @ERd24) → C | | 4 | | | | | | | | | | | ↕ | | 6 | | |
| BIXOR #xx:3, @aa:8 | B | C ⊕ ¬ (#xx:3 of @aa:8) → C | | | | | 4 | | | | | | | | ↕ | | 6 | | |

6. Branching instructions

| Mnemonic | Operand Size | Operation | Addressing Mode and Instruction Length (bytes) | | | | | | | | Condition Code | | | | | | No. of States ^{§1} | | |
|---------------------|--------------|--|--|----|------|------------|-------------|-----|-----------|-------|----------------|---|---|---|---|---|-----------------------------|--------|----------|
| | | | #xx | Rn | @ERn | @ (d, ERn) | @-ERn/@ERn+ | @aa | @ (d, PC) | @ @aa | Implied | I | H | N | Z | V | C | Normal | Advanced |
| | | | | | | | | | | | | | | | | | | | |
| BRA d:8 (BT d:8) | — | If condition is true then PC ← PC+d else next; | Always | | | | | | 2 | | | | | | | | | 4 | |
| BRA d:16 (BT d:16) | — | | | | | | | | 4 | | | | | | | | | 6 | |
| BRN d:8 (BF d:8) | — | | Never | | | | | | 2 | | | | | | | | | 4 | |
| BRN d:16 (BF d:16) | — | | | | | | | | 4 | | | | | | | | | 6 | |
| BHI d:8 | — | | $C \vee Z = 0$ | | | | | | 2 | | | | | | | | | 4 | |
| BHI d:16 | — | | | | | | | | 4 | | | | | | | | | 6 | |
| BLS d:8 | — | | $C \vee Z = 1$ | | | | | | 2 | | | | | | | | | 4 | |
| BLS d:16 | — | | | | | | | | 4 | | | | | | | | | 6 | |
| BCC d:8 (BHS d:8) | — | | $C = 0$ | | | | | | 2 | | | | | | | | | 4 | |
| BCC d:16 (BHS d:16) | — | | | | | | | | 4 | | | | | | | | | 6 | |
| BCS d:8 (BLO d:8) | — | | $C = 1$ | | | | | | 2 | | | | | | | | | 4 | |
| BCS d:16 (BLO d:16) | — | | | | | | | | 4 | | | | | | | | | 6 | |
| BNE d:8 | — | | $Z = 0$ | | | | | | 2 | | | | | | | | | 4 | |
| BNE d:16 | — | | | | | | | | 4 | | | | | | | | | 6 | |
| BEQ d:8 | — | | $Z = 1$ | | | | | | 2 | | | | | | | | | 4 | |
| BEQ d:16 | — | | | | | | | | 4 | | | | | | | | | 6 | |
| BVC d:8 | — | | $V = 0$ | | | | | | 2 | | | | | | | | | 4 | |
| BVC d:16 | — | | | | | | | | 4 | | | | | | | | | 6 | |
| BVS d:8 | — | | $V = 1$ | | | | | | 2 | | | | | | | | | 4 | |
| BVS d:16 | — | | | | | | | | 4 | | | | | | | | | 6 | |
| BPL d:8 | — | | $N = 0$ | | | | | | 2 | | | | | | | | | 4 | |
| BPL d:16 | — | | | | | | | | 4 | | | | | | | | | 6 | |
| BMI d:8 | — | | $N = 1$ | | | | | | 2 | | | | | | | | | 4 | |
| BMI d:16 | — | | | | | | | | 4 | | | | | | | | | 6 | |
| BGE d:8 | — | | $N \oplus V = 0$ | | | | | | 2 | | | | | | | | | 4 | |
| BGE d:16 | — | | | | | | | | 4 | | | | | | | | | 6 | |
| BLT d:8 | — | | $N \oplus V = 1$ | | | | | | 2 | | | | | | | | | 4 | |
| BLT d:16 | — | | | | | | | | 4 | | | | | | | | | 6 | |
| BGT d:8 | — | | $Z \vee (N \oplus V) = 0$ | | | | | | 2 | | | | | | | | | 4 | |
| BGT d:16 | — | | | | | | | | 4 | | | | | | | | | 6 | |

| Mnemonic | Operand Size | Operation | Addressing Mode and Instruction Length (bytes) | | | | | | | | Condition Code | | | | | | No. of States ^{*1} | | |
|------------|--------------|---|--|----|------|------------|-------------|-----|-----------|------|----------------|---|---|---|---|---|-----------------------------|--------|----------|
| | | | #xx | Rn | @ERn | @ (d, ERn) | @-ERn/@ERn+ | @aa | @ (d, PC) | @@aa | Implied | I | H | N | Z | V | C | Normal | Advanced |
| | | | | | | | | | | | | | | | | | | | |
| BLE d:8 | — | If condition is true then PC ← PC+d else next; | $Z \vee (N \oplus V) = 1$ | | | | | | 2 | | — | — | — | — | — | | 4 | | |
| BLE d:16 | — | | | | | | | | 4 | | — | — | — | — | — | | 6 | | |
| JMP @ERn | — | PC ← ERn | | | 2 | | | | | | — | — | — | — | — | | 4 | | |
| JMP @aa:24 | — | PC ← aa:24 | | | | | | 4 | | | — | — | — | — | — | | 6 | | |
| JMP @@aa:8 | — | PC ← @aa:8 | | | | | | | 2 | | — | — | — | — | — | 8 | 10 | | |
| BSR d:8 | — | PC → @-SP PC ← PC+d:8 | | | | | | | 2 | | — | — | — | — | — | 6 | 8 | | |
| BSR d:16 | — | PC → @-SP PC ← PC+d:16 | | | | | | | 4 | | — | — | — | — | — | 8 | 10 | | |
| JSR @ERn | — | PC → @-SP PC ← @ERn | | | 2 | | | | | | — | — | — | — | — | 6 | 8 | | |
| JSR @aa:24 | — | PC → @-SP PC ← @aa:24 | | | | | | | 4 | | — | — | — | — | — | 8 | 10 | | |
| JSR @@aa:8 | — | PC → @-SP PC ← @aa:8 | | | | | | | | 2 | — | — | — | — | — | 8 | 12 | | |
| RTS | — | PC ← @SP+ | | | | | | | | 2 | — | — | — | — | — | 8 | 10 | | |

7. System control instructions

| Mnemonic | Operand Size | Operation | Addressing Mode and Instruction Length (bytes) | | | | | | | | Condition Code | | | | | | No. of States ^{*1} | | |
|-----------------------|--------------|--|--|----|------|------------|-------------|-----|-----------|------|----------------|---|---|---|---|---|-----------------------------|--------|----------|
| | | | #xx | Rn | @ERn | @ (d, ERn) | @-ERn/@ERn+ | @aa | @ (d, PC) | @@aa | Implied | I | H | N | Z | V | C | Normal | Advanced |
| | | | | | | | | | | | | | | | | | | | |
| TRAPA #x:2 | — | PC → @-SP CCR → @-SP <vector> → PC | | | | | | | | | 2 | 1 | — | — | — | — | — | 14 | 16 |
| RTE | — | CCR ← @SP+ PC ← @SP+ | | | | | | | | | | ↑ | ↑ | ↑ | ↑ | ↑ | ↑ | 10 | |
| SLEEP | — | Transition to power-down state | | | | | | | | | | — | — | — | — | — | — | 2 | |
| LDC #xx:8, CCR | B | #xx:8 → CCR | 2 | | | | | | | | | ↑ | ↑ | ↑ | ↑ | ↑ | ↑ | 2 | |
| LDC Rs, CCR | B | Rs8 → CCR | | 2 | | | | | | | | ↑ | ↑ | ↑ | ↑ | ↑ | ↑ | 2 | |
| LDC @ERs, CCR | W | @ERs → CCR | | | 4 | | | | | | | ↑ | ↑ | ↑ | ↑ | ↑ | ↑ | 6 | |
| LDC @(d:16, ERs), CCR | W | @(d:16, ERs) → CCR | | | | 6 | | | | | | ↑ | ↑ | ↑ | ↑ | ↑ | ↑ | 8 | |
| LDC @(d:24, ERs), CCR | W | @(d:24, ERs) → CCR | | | | | 10 | | | | | ↑ | ↑ | ↑ | ↑ | ↑ | ↑ | 12 | |
| LDC @ERs+, CCR | W | @ERs → CCR ERs32+2 → ERs32 | | | | | | 4 | | | | ↑ | ↑ | ↑ | ↑ | ↑ | ↑ | 8 | |
| LDC @aa:16, CCR | W | @aa:16 → CCR | | | | | | | 6 | | | ↑ | ↑ | ↑ | ↑ | ↑ | ↑ | 8 | |
| LDC @aa:24, CCR | W | @aa:24 → CCR | | | | | | | | 8 | | ↑ | ↑ | ↑ | ↑ | ↑ | ↑ | 10 | |
| STC CCR, Rd | B | CCR → Rd8 | | 2 | | | | | | | | — | — | — | — | — | — | 2 | |
| STC CCR, @ERd | W | CCR → @ERd | | | 4 | | | | | | | — | — | — | — | — | — | 6 | |
| STC CCR, @(d:16, ERd) | W | CCR → @(d:16, ERd) | | | | 6 | | | | | | — | — | — | — | — | — | 8 | |
| STC CCR, @(d:24, ERd) | W | CCR → @(d:24, ERd) | | | | | 10 | | | | | — | — | — | — | — | — | 12 | |
| STC CCR, @-ERd | W | ERd32-2 → ERd32 CCR → @ERd | | | | | | 4 | | | | — | — | — | — | — | — | 8 | |
| STC CCR, @aa:16 | W | CCR → @aa:16 | | | | | | | 6 | | | — | — | — | — | — | — | 8 | |
| STC CCR, @aa:24 | W | CCR → @aa:24 | | | | | | | | 8 | | — | — | — | — | — | — | 10 | |
| ANDC #xx:8, CCR | B | CCR^#xx:8 → CCR | 2 | | | | | | | | | ↓ | ↓ | ↓ | ↓ | ↓ | ↓ | 2 | |
| ORC #xx:8, CCR | B | CCR∨#xx:8 → CCR | 2 | | | | | | | | | ↑ | ↑ | ↑ | ↑ | ↑ | ↑ | 2 | |
| XORC #xx:8, CCR | B | CCR⊕#xx:8 → CCR | 2 | | | | | | | | | ↑ | ↓ | ↑ | ↓ | ↑ | ↓ | 2 | |
| NOP | — | PC ← PC+2 | | | | | | | | | 2 | — | — | — | — | — | — | 2 | |

8. Block transfer instructions

| Mnemonic | Operand Size | Operation | Addressing Mode and Instruction Length (bytes) | | | | | | | | Condition Code | | | | | | No. of States ^{*1} | | |
|-----------|--------------|--|--|----|------|------------|-------------|-----|-----------|-------|----------------|---|---|---|---|---|-----------------------------|--------|----------|
| | | | #xx | Rn | @ERn | @ (d, ERn) | @-ERn/@ERn+ | @aa | @ (d, PC) | @ @aa | Implied | I | H | N | Z | V | C | Normal | Advanced |
| | | | | | | | | | | | | | | | | | | | |
| EEPMOV. B | — | if R4L ≠ 0 then repeat @R5 → @R6 R5+1 → R5 R6+1 → R6 R4L-1 → R4L until R4L=0 else next | | | | | | | | 4 | — | — | — | — | — | — | 8+4n ^{*2} | | |
| EEPMOV. W | — | if R4 ≠ 0 then repeat @R5 → @R6 R5+1 → R5 R6+1 → R6 R4-1 → R4 until R4=0 else next | | | | | | | | 4 | — | — | — | — | — | — | 8+4n ^{*2} | | |

Notes: 1. The number of states is the number of states required for execution when the instruction and its operands are located in on-chip memory. For other cases see section A.3, Number of States Required for Execution.

2. n is the value set in register R4L or R4.

- (1) Set to 1 when a carry or borrow occurs at bit 11; otherwise cleared to 0.
- (2) Set to 1 when a carry or borrow occurs at bit 27; otherwise cleared to 0.
- (3) Retains its previous value when the result is zero; otherwise cleared to 0.
- (4) Set to 1 when the adjustment produces a carry; otherwise retains its previous value.
- (5) The number of states required for execution of an instruction that transfers data in synchronization with the E clock is variable.
- (6) Set to 1 when the divisor is negative; otherwise cleared to 0.
- (7) Set to 1 when the divisor is zero; otherwise cleared to 0.
- (8) Set to 1 when the quotient is negative; otherwise cleared to 0.

A.2 Operation Code Maps

Table A.2 Operation Code Map (1)

| Instruction code: | | 1st byte | | 2nd byte | | | | | | | | | | | | | | | | | |
|-------------------|---------------|---------------|-------|---------------|------|------|-------|-------|---------------|---------------|---------------|-------|---------------|-----|-----|---------------|---|-----|------|---|---------------|
| | | AH | AL | BH | BL | 0 | 1 | 2 | 3 | 4 | 5 | 6 | 7 | 8 | 9 | A | B | C | D | E | F |
| 0 | NOP | Table A.2 (2) | | STC | LDC | ORC | XORC | ANDC | LDC | ANDC | XORC | ANDC | LDC | ADD | ADD | Table A.2 (2) | | MOV | ADDX | | Table A.2 (2) |
| 1 | Table A.2 (2) | Table A.2 (2) | | Table A.2 (2) | OR.B | OR.B | XOR.B | AND.B | Table A.2 (2) | AND.B | XOR.B | AND.B | Table A.2 (2) | SUB | SUB | Table A.2 (2) | | CMP | SUBX | | Table A.2 (2) |
| 2 | MOV.B | | | | | | | | | | | | | | | | | | | | |
| 3 | | | | | | | | | | | | | | | | | | | | | |
| 4 | BRA | BRN | BHI | BLS | BCC | BCS | BNE | BEQ | BVC | BVS | BPL | BMI | BGE | BLT | BGT | BLE | | | | | |
| 5 | MULXU | DIVXU | MULXU | DIVXU | RTS | BSR | RTE | TRAPA | Table A.2 (2) | | JMP | BSR | JSR | | | | | | | | |
| 6 | BSET | BNOT | BCLR | BTST | OR | XOR | AND | BSL | MOV | | | | | | | | | | | | |
| 7 | | | BOR | BIOR | BAND | BAND | BAND | BAND | MOV | Table A.2 (2) | Table A.2 (2) | EEMOV | Table A.2 (3) | | | | | | | | |
| 8 | ADD | | | | | | | | | | | | | | | | | | | | |
| 9 | ADDX | | | | | | | | | | | | | | | | | | | | |
| A | CMP | | | | | | | | | | | | | | | | | | | | |
| B | SUBX | | | | | | | | | | | | | | | | | | | | |
| C | OR | | | | | | | | | | | | | | | | | | | | |
| D | XOR | | | | | | | | | | | | | | | | | | | | |
| E | AND | | | | | | | | | | | | | | | | | | | | |
| F | MOV | | | | | | | | | | | | | | | | | | | | |

Instruction when most significant bit of BH is 0.

Instruction when most significant bit of BH is 1.

Table A.2 Operation Code Map (3)

| Instruction code: | | 1st byte | 2nd byte | 3rd byte | 4th byte | | | | | | | | | | | |
|---------------------|-------|----------|----------|----------|----------|-------|-------|------|---|-----|---|-----|---|-----|---|-----|
| | | AH | AL | BH | BL | CH | CL | DL | | | | | | | | |
| CL | 0 | 1 | 2 | 3 | 4 | 5 | 6 | 7 | 8 | 9 | A | B | C | D | E | F |
| ALBH BLCH | | | | | | | | | | | | | | | | |
| 01406 | | | | | | | | | | LDC | | LDC | | LDC | | LDC |
| 01C05 | MULXS | | MULXS | | | | | | | LDC | | LDC | | LDC | | LDC |
| 01D05 | | DIVXS | | DIVXS | | | | | | | | | | | | |
| 01F06 | | | | | OR | XOR | AND | | | | | | | | | |
| 7C06* ¹ | | | | | | | | | | | | | | | | |
| 7C07* ¹ | | | | | BOR | BXOR | BAND | BLD | | | | | | | | |
| | | | | | BIOR | BIXOR | BIAND | BILD | | | | | | | | |
| | | | | | | | | BST | | | | | | | | |
| 7D06* ¹ | BSET | | BNOT | | | | | | | | | | | | | |
| | | | | | | | | | | | | | | | | |
| 7D07* ¹ | BSET | | BNOT | | | | | | | | | | | | | |
| | | | | | | | | | | | | | | | | |
| 7Eaa6* ² | | | | | | | | | | | | | | | | |
| | | | | | | | | | | | | | | | | |
| 7Eaa7* ² | | | | | BOR | BXOR | BAND | BLD | | | | | | | | |
| | | | | | BIOR | BIXOR | BIAND | BILD | | | | | | | | |
| | | | | | | | | BST | | | | | | | | |
| 7Faa6* ² | BSET | | BNOT | | | | | | | | | | | | | |
| | | | | | | | | | | | | | | | | |
| 7Faa7* ² | BSET | | BNOT | | | | | | | | | | | | | |
| | | | | | | | | | | | | | | | | |

Notes: 1. r is the register designation field.
 2. aa is the absolute address field.

A.3 Number of States Required for Execution

The tables in this section can be used to calculate the number of states required for instruction execution by the H8/300H CPU. Table A.3 indicates the number of states required per cycle according to the bus size. Table A.4 indicates the number of instruction fetch, data read/write, and other cycles occurring in each instruction. The number of states required for execution of an instruction can be calculated from these two tables as follows:

$$\text{Number of states} = I \times S_I + J \times S_J + K \times S_K + L \times S_L + M \times S_M + N \times S_N$$

Examples of Calculation of Number of States Required for Execution

Examples: Advanced mode, stack located in external address space, on-chip supporting modules accessed with 8-bit bus width, external devices accessed in three states with one wait state and 16-bit bus width.

BSET #0, @FFFFC7:8

From table A.3, $S_I = 4$ and $S_L = 3$

From table A.4, $I = L = 2$ and $J = K = M = N = 0$

Number of states = $2 \times 4 + 2 \times 3 = 14$

JSR @@30

From table A.3, $S_I = S_J = S_K = 4$

From table A.4, $I = J = K = 2$ and $L = M = N = 0$

Number of states = $2 \times 4 + 2 \times 4 + 2 \times 4 = 24$

Table A.3 Number of States per Cycle

| Cycle | | Access Conditions | | | | | | |
|---------------------|-------|-------------------|---------------------------------|---------------|-------------------|-------------------|-------------------|-------------------|
| | | On-Chip Memory | On-Chip Supporting Module | | External Device | | | |
| | | | 8-Bit Bus | 16-Bit Bus | 8-Bit Bus | | 16-Bit Bus | |
| | | | | | 2-State Access | 3-State Access | 2-State Access | 3-State Access |
| Instruction fetch | S_I | 2 | 6 | 3 | 4 | 6 + 2m | 2 | 3 + m |
| Branch address read | S_J | | | | | | | |
| Stack operation | S_K | | | | | | | |
| Byte data access | S_L | | 3 | | 2 | 3 + m | | |
| Word data access | S_M | | 6 | | 4 | 6 + 2m | | |
| Internal operation | S_N | 1 | 1 | 1 | 1 | 1 | 1 | 1 |

Legend:

m: Number of wait states inserted in external device access

Table A.4 Number of Cycles per Instruction

| Instruction | Mnemonic | Instruction | Branch | Stack | Byte Data | Word Data | Internal |
|-------------|-------------------|-------------|------------|-----------|-----------|-----------|-----------|
| | | Fetch | Addr. Read | Operation | Access | Access | Operation |
| | | I | J | K | L | M | N |
| ADD | ADD.B #xx:8, Rd | 1 | | | | | |
| | ADD.B Rs, Rd | 1 | | | | | |
| | ADD.W #xx:16, Rd | 2 | | | | | |
| | ADD.W Rs, Rd | 1 | | | | | |
| | ADD.L #xx:32, ERd | 3 | | | | | |
| | ADD.L ERs, ERd | 1 | | | | | |
| ADDS | ADDS #1/2/4, ERd | 1 | | | | | |
| ADDX | ADDX #xx:8, Rd | 1 | | | | | |
| | ADDX Rs, Rd | 1 | | | | | |
| AND | AND.B #xx:8, Rd | 1 | | | | | |
| | AND.B Rs, Rd | 1 | | | | | |
| | AND.W #xx:16, Rd | 2 | | | | | |
| | AND.W Rs, Rd | 1 | | | | | |
| | AND.L #xx:32, ERd | 3 | | | | | |
| | AND.L ERs, ERd | 2 | | | | | |
| ANDC | ANDC #xx:8, CCR | 1 | | | | | |
| BAND | BAND #xx:3, Rd | 1 | | | | | |
| | BAND #xx:3, @ERd | 2 | | | 1 | | |
| | BAND #xx:3, @aa:8 | 2 | | | 1 | | |
| Bcc | BRA d:8 (BT d:8) | 2 | | | | | |
| | BRN d:8 (BF d:8) | 2 | | | | | |
| | BHI d:8 | 2 | | | | | |
| | BLS d:8 | 2 | | | | | |
| | BCC d:8 (BHS d:8) | 2 | | | | | |
| | BCS d:8 (BLO d:8) | 2 | | | | | |
| | BNE d:8 | 2 | | | | | |
| | BEQ d:8 | 2 | | | | | |
| | BVC d:8 | 2 | | | | | |
| | BVS d:8 | 2 | | | | | |
| | BPL d:8 | 2 | | | | | |
| | BMI d:8 | 2 | | | | | |
| | BGE d:8 | 2 | | | | | |
| | BLT d:8 | 2 | | | | | |
| | BGT d:8 | 2 | | | | | |
| | BLE d:8 | 2 | | | | | |

| Instruction | Mnemonic | Instruction | Branch | Stack | Byte Data | Word Data | Internal |
|-------------|---------------------|-------------|------------|-----------|-----------|-----------|-----------|
| | | Fetch | Addr. Read | Operation | Access | Access | Operation |
| | | I | J | K | L | M | N |
| Bcc | BRA d:16 (BT d:16) | 2 | | | | | 2 |
| | BRN d:16 (BF d:16) | 2 | | | | | 2 |
| | BHI d:16 | 2 | | | | | 2 |
| | BLS d:16 | 2 | | | | | 2 |
| | BCC d:16 (BHS d:16) | 2 | | | | | 2 |
| | BCS d:16 (BLO d:16) | 2 | | | | | 2 |
| | BNE d:16 | 2 | | | | | 2 |
| | BEQ d:16 | 2 | | | | | 2 |
| | BVC d:16 | 2 | | | | | 2 |
| | BVS d:16 | 2 | | | | | 2 |
| | BPL d:16 | 2 | | | | | 2 |
| | BMI d:16 | 2 | | | | | 2 |
| | BGE d:16 | 2 | | | | | 2 |
| | BLT d:16 | 2 | | | | | 2 |
| | BGT d:16 | 2 | | | | | 2 |
| BLE d:16 | 2 | | | | | 2 | |
| BCLR | BCLR #xx:3, Rd | 1 | | | | | |
| | BCLR #xx:3, @ERd | 2 | | | 2 | | |
| | BCLR #xx:3, @aa:8 | 2 | | | 2 | | |
| | BCLR Rn, Rd | 1 | | | | | |
| | BCLR Rn, @ERd | 2 | | | 2 | | |
| | BCLR Rn, @aa:8 | 2 | | | 2 | | |
| BIAND | BIAND #xx:3, Rd | 1 | | | | | |
| | BIAND #xx:3, @ERd | 2 | | | 1 | | |
| | BIAND #xx:3, @aa:8 | 2 | | | 1 | | |
| BILD | BILD #xx:3, Rd | 1 | | | | | |
| | BILD #xx:3, @ERd | 2 | | | 1 | | |
| | BILD #xx:3, @aa:8 | 2 | | | 1 | | |
| BIOR | BIOR #xx:8, Rd | 1 | | | | | |
| | BIOR #xx:8, @ERd | 2 | | | 1 | | |
| | BIOR #xx:8, @aa:8 | 2 | | | 1 | | |
| BIST | BIST #xx:3, Rd | 1 | | | | | |
| | BIST #xx:3, @ERd | 2 | | | 2 | | |
| | BIST #xx:3, @aa:8 | 2 | | | 2 | | |
| BIXOR | BIXOR #xx:3, Rd | 1 | | | | | |
| | BIXOR #xx:3, @ERd | 2 | | | 1 | | |
| | BIXOR #xx:3, @aa:8 | 2 | | | 1 | | |

| Instruction | Mnemonic | Instruction | Branch | Stack | Byte Data | Word Data | Internal |
|----------------|-------------------|-------------|------------|-----------|-----------|-----------|-----------|
| | | Fetch | Addr. Read | Operation | Access | Access | Operation |
| | | I | J | K | L | M | N |
| BLD | BLD #xx:3, Rd | 1 | | | | | |
| | BLD #xx:3, @ERd | 2 | | | 1 | | |
| | BLD #xx:3, @aa:8 | 2 | | | 1 | | |
| BNOT | BNOT #xx:3, Rd | 1 | | | | | |
| | BNOT #xx:3, @ERd | 2 | | | 2 | | |
| | BNOT #xx:3, @aa:8 | 2 | | | 2 | | |
| | BNOT Rn, Rd | 1 | | | | | |
| | BNOT Rn, @ERd | 2 | | | 2 | | |
| | BNOT Rn, @aa:8 | 2 | | | 2 | | |
| BOR | BOR #xx:3, Rd | 1 | | | | | |
| | BOR #xx:3, @ERd | 2 | | | 1 | | |
| | BOR #xx:3, @aa:8 | 2 | | | 1 | | |
| BSET | BSET #xx:3, Rd | 1 | | | | | |
| | BSET #xx:3, @ERd | 2 | | | 2 | | |
| | BSET #xx:3, @aa:8 | 2 | | | 2 | | |
| | BSET Rn, Rd | 1 | | | | | |
| | BSET Rn, @ERd | 2 | | | 2 | | |
| BSET Rn, @aa:8 | 2 | | | 2 | | | |
| BSR | BSR d:8 | Normal | 2 | | 1 | | |
| | | Advanced | 2 | | 2 | | |
| | BSR d:16 | Normal | 2 | | | 1 | 2 |
| | | Advanced | 2 | | | 2 | 2 |
| BST | BST #xx:3, Rd | 1 | | | | | |
| | BST #xx:3, @ERd | 2 | | | 2 | | |
| | BST #xx:3, @aa:8 | 2 | | | 2 | | |
| BTST | BTST #xx:3, Rd | 1 | | | | | |
| | BTST #xx:3, @ERd | 2 | | | 1 | | |
| | BTST #xx:3, @aa:8 | 2 | | | 1 | | |
| | BTST Rn, Rd | 1 | | | | | |
| | BTST Rn, @ERd | 2 | | | 1 | | |
| | BTST Rn, @aa:8 | 2 | | | 1 | | |
| BXOR | BXOR #xx:3, Rd | 1 | | | | | |
| | BXOR #xx:3, @ERd | 2 | | | 1 | | |
| | BXOR #xx:3, @aa:8 | 2 | | | 1 | | |

| Instruction | Mnemonic | Instruction | Branch | Stack | Byte Data | Word Data | Internal | |
|-------------|-------------------|-------------|------------|-----------|-------------|-----------|-----------|---|
| | | Fetch | Addr. Read | Operation | Access | Access | Operation | |
| | | I | J | K | L | M | N | |
| CMP | CMP.B #xx:8, Rd | 1 | | | | | | |
| | CMP.B Rs, Rd | 1 | | | | | | |
| | CMP.W #xx:16, Rd | 2 | | | | | | |
| | CMP.W Rs, Rd | 1 | | | | | | |
| | CMP.L #xx:32, ERd | 3 | | | | | | |
| | CMP.L ERs, ERd | 1 | | | | | | |
| DAA | DAA Rd | 1 | | | | | | |
| DAS | DAS Rd | 1 | | | | | | |
| DEC | DEC.B Rd | 1 | | | | | | |
| | DEC.W #1/2, Rd | 1 | | | | | | |
| | DEC.L #1/2, ERd | 1 | | | | | | |
| DIVXS | DIVXS.B Rs, Rd | 2 | | | | | 12 | |
| | DIVXS.W Rs, ERd | 2 | | | | | 20 | |
| DIVXU | DIVXU.B Rs, Rd | 1 | | | | | 12 | |
| | DIVXU.W Rs, ERd | 1 | | | | | 20 | |
| EEPMOV | EEPMOV.B | 2 | | | $2n+2^{*1}$ | | | |
| | EEPMOV.W | 2 | | | $2n+2^{*1}$ | | | |
| EXTS | EXTS.W Rd | 1 | | | | | | |
| | EXTS.L ERd | 1 | | | | | | |
| EXTU | EXTU.W Rd | 1 | | | | | | |
| | EXTU.L ERd | 1 | | | | | | |
| INC | INC.B Rd | 1 | | | | | | |
| | INC.W #1/2, Rd | 1 | | | | | | |
| | INC.L #1/2, ERd | 1 | | | | | | |
| JMP | JMP @ERn | 2 | | | | | | |
| | JMP @aa:24 | 2 | | | | | 2 | |
| | JMP @@aa:8 | Normal | 2 | 1 | | | | 2 |
| | | Advanced | 2 | 2 | | | | 2 |
| JSR | JSR @ERn | Normal | 2 | | 1 | | | |
| | | Advanced | 2 | | 2 | | | |
| | JSR @aa:24 | Normal | 2 | | 1 | | 2 | |
| | | Advanced | 2 | | 2 | | 2 | |
| | JSR @@aa:8 | Normal | 2 | 1 | 1 | | | |
| | | Advanced | 2 | 2 | 2 | | | |

| Instruction | Mnemonic | Instruction | Branch | Stack | Byte Data | Word Data | Internal |
|-------------|------------------------|-------------|------------|-----------|-----------|-----------|-----------|
| | | Fetch | Addr. Read | Operation | Access | Access | Operation |
| | | I | J | K | L | M | N |
| LDC | LDC #xx:8, CCR | 1 | | | | | |
| | LDC Rs, CCR | 1 | | | | | |
| | LDC @ERs, CCR | 2 | | | | 1 | |
| | LDC @(d:16, ERs), CCR | 3 | | | | 1 | |
| | LDC @(d:24, ERs), CCR | 5 | | | | 1 | |
| | LDC @ERs+, CCR | 2 | | | | 1 | 2 |
| | LDC @aa:16, CCR | 3 | | | | 1 | |
| | LDC @aa:24, CCR | 4 | | | | 1 | |
| MOV | MOV.B #xx:8, Rd | 1 | | | | | |
| | MOV.B Rs, Rd | 1 | | | | | |
| | MOV.B @ERs, Rd | 1 | | | 1 | | |
| | MOV.B @(d:16, ERs), Rd | 2 | | | 1 | | |
| | MOV.B @(d:24, ERs), Rd | 4 | | | 1 | | |
| | MOV.B @ERs+, Rd | 1 | | | 1 | | 2 |
| | MOV.B @aa:8, Rd | 1 | | | 1 | | |
| | MOV.B @aa:16, Rd | 2 | | | 1 | | |
| | MOV.B @aa:24, Rd | 3 | | | 1 | | |
| | MOV.B Rs, @ERd | 1 | | | 1 | | |
| | MOV.B Rs, @(d:16, ERd) | 2 | | | 1 | | |
| | MOV.B Rs, @(d:24, ERd) | 4 | | | 1 | | |
| | MOV.B Rs, @-ERd | 1 | | | 1 | | 2 |
| | MOV.B Rs, @aa:8 | 1 | | | 1 | | |
| | MOV.B Rs, @aa:16 | 2 | | | 1 | | |
| | MOV.B Rs, @aa:24 | 3 | | | 1 | | |
| | MOV.W #xx:16, Rd | 2 | | | | | |
| | MOV.W Rs, Rd | 1 | | | | | |
| | MOV.W @ERs, Rd | 1 | | | | 1 | |
| | MOV.W @(d:16, ERs), Rd | 2 | | | | 1 | |
| | MOV.W @(d:24, ERs), Rd | 4 | | | | 1 | |
| | MOV.W @ERs+, Rd | 1 | | | | 1 | 2 |
| | MOV.W @aa:16, Rd | 2 | | | | 1 | |
| | MOV.W @aa:24, Rd | 3 | | | | 1 | |
| | MOV.W Rs, @ERd | 1 | | | | 1 | |
| | MOV.W Rs, @(d:16, ERd) | 2 | | | | 1 | |
| | MOV.W Rs, @(d:24, ERd) | 4 | | | | 1 | |
| | MOV.W Rs, @-ERd | 1 | | | | 1 | 2 |
| | MOV.W Rs, @aa:16 | 2 | | | | 1 | |

| Instruction | Mnemonic | Instruction | Branch | Stack | Byte Data | Word Data | Internal |
|-------------|----------------------------------|-------------|------------|-----------|-----------|-----------|-----------|
| | | Fetch | Addr. Read | Operation | Access | Access | Operation |
| | | I | J | K | L | M | N |
| MOV | MOV.W Rs, @aa:24 | 3 | | | | 1 | |
| | MOV.L #xx:32, ERd | 3 | | | | | |
| | MOV.L ERs, ERd | 1 | | | | | |
| | MOV.L @ERs, ERd | 2 | | | | 2 | |
| | MOV.L @(d:16, ERs), ERd | 3 | | | | 2 | |
| | MOV.L @(d:24, ERs), ERd | 5 | | | | 2 | |
| | MOV.L @ERs+, ERd | 2 | | | | 2 | 2 |
| | MOV.L @aa:16, ERd | 3 | | | | 2 | |
| | MOV.L @aa:24, ERd | 4 | | | | 2 | |
| | MOV.L ERs, @ERd | 2 | | | | 2 | |
| | MOV.L ERs, @(d:16, ERd) | 3 | | | | 2 | |
| | MOV.L ERs, @(d:24, ERd) | 5 | | | | 2 | |
| | MOV.L ERs, @-ERd | 2 | | | | 2 | 2 |
| | MOV.L ERs, @aa:16 | 3 | | | | 2 | |
| | MOV.L ERs, @aa:24 | 4 | | | | 2 | |
| MOVFPPE | MOVFPPE @aa:16, Rd* ² | 2 | | | 1 | | |
| MOVTPE | MOVTPE Rs, @aa:16* ² | 2 | | | 1 | | |
| MULXS | MULXS.B Rs, Rd | 2 | | | | | 12 |
| | MULXS.W Rs, ERd | 2 | | | | | 20 |
| MULXU | MULXU.B Rs, Rd | 1 | | | | | 12 |
| | MULXU.W Rs, ERd | 1 | | | | | 20 |
| NEG | NEG.B Rd | 1 | | | | | |
| | NEG.W Rd | 1 | | | | | |
| | NEG.L ERd | 1 | | | | | |
| NOP | NOP | 1 | | | | | |
| NOT | NOT.B Rd | 1 | | | | | |
| | NOT.W Rd | 1 | | | | | |
| | NOT.L ERd | 1 | | | | | |
| OR | OR.B #xx:8, Rd | 1 | | | | | |
| | OR.B Rs, Rd | 1 | | | | | |
| | OR.W #xx:16, Rd | 2 | | | | | |
| | OR.W Rs, Rd | 1 | | | | | |
| | OR.L #xx:32, ERd | 3 | | | | | |
| | OR.L ERs, ERd | 2 | | | | | |

| Instruction | Mnemonic | Instruction | Branch | Stack | Byte Data | Word Data | Internal |
|-------------|----------------|-------------|------------|-----------|-----------|-----------|-----------|
| | | Fetch | Addr. Read | Operation | Access | Access | Operation |
| | | I | J | K | L | M | N |
| ORC | ORC #xx:8, CCR | 1 | | | | | |
| POP | POP.W Rn | 1 | | | | 1 | 2 |
| | POP.L ERn | 2 | | | | 2 | 2 |
| PUSH | PUSH.W Rn | 1 | | | | 1 | 2 |
| | PUSH.L ERn | 2 | | | | 2 | 2 |
| ROTL | ROTL.B Rd | 1 | | | | | |
| | ROTL.W Rd | 1 | | | | | |
| | ROTL.L ERd | 1 | | | | | |
| ROTR | ROTR.B Rd | 1 | | | | | |
| | ROTR.W Rd | 1 | | | | | |
| | ROTR.L ERd | 1 | | | | | |
| ROTXL | ROTXL.B Rd | 1 | | | | | |
| | ROTXL.W Rd | 1 | | | | | |
| | ROTXL.L ERd | 1 | | | | | |
| ROTXR | ROTXR.B Rd | 1 | | | | | |
| | ROTXR.W Rd | 1 | | | | | |
| | ROTXR.L ERd | 1 | | | | | |
| RTE | RTE | 2 | | 2 | | 2 | |
| RTS | RTS | Normal | 2 | | 1 | | 2 |
| | | Advanced | 2 | | 2 | | 2 |
| SHAL | SHAL.B Rd | 1 | | | | | |
| | SHAL.W Rd | 1 | | | | | |
| | SHAL.L ERd | 1 | | | | | |
| SHAR | SHAR.B Rd | 1 | | | | | |
| | SHAR.W Rd | 1 | | | | | |
| | SHAR.L ERd | 1 | | | | | |
| SHLL | SHLL.B Rd | 1 | | | | | |
| | SHLL.W Rd | 1 | | | | | |
| | SHLL.L ERd | 1 | | | | | |
| SHLR | SHLR.B Rd | 1 | | | | | |
| | SHLR.W Rd | 1 | | | | | |
| | SHLR.L ERd | 1 | | | | | |
| SLEEP | SLEEP | 1 | | | | | |

| Instruction | Mnemonic | Instruction Fetch | Branch Addr. Read | Stack Operation | Byte Data Access | Word Data Access | Internal Operation |
|-------------|-----------------------|----------------------|----------------------|--------------------|---------------------|---------------------|-----------------------|
| | | | | | | | |
| STC | STC CCR, Rd | 1 | | | | | |
| | STC CCR, @ERd | 2 | | | | 1 | |
| | STC CCR, @(d:16, ERd) | 3 | | | | 1 | |
| | STC CCR, @(d:24, ERd) | 5 | | | | 1 | |
| | STC CCR, @-ERd | 2 | | | | 1 | 2 |
| | STC CCR, @aa:16 | 3 | | | | 1 | |
| | STC CCR, @aa:24 | 4 | | | | 1 | |
| SUB | SUB.B Rs, Rd | 1 | | | | | |
| | SUB.W #xx:16, Rd | 2 | | | | | |
| | SUB.W Rs, Rd | 1 | | | | | |
| | SUB.L #xx:32, ERd | 3 | | | | | |
| | SUB.L ERs, ERd | 1 | | | | | |
| SUBS | SUBS #1/2/4, ERd | 1 | | | | | |
| SUBX | SUBX #xx:8, Rd | 1 | | | | | |
| | SUBX Rs, Rd | 1 | | | | | |
| TRAPA | TRAPA #x:2 | Normal | 2 | 1 | 2 | | 4 |
| | | Advanced | 2 | 2 | 2 | | 4 |
| XOR | XOR.B #xx:8, Rd | 1 | | | | | |
| | XOR.B Rs, Rd | 1 | | | | | |
| | XOR.W #xx:16, Rd | 2 | | | | | |
| | XOR.W Rs, Rd | 1 | | | | | |
| | XOR.L #xx:32, ERd | 3 | | | | | |
| | XOR.L ERs, ERd | 2 | | | | | |
| XORC | XORC #xx:8, CCR | 1 | | | | | |

Notes: 1. n is the value set in register R4L or R4. The source and destination are accessed n+1 times each.

2. Not used with this LSI.

Appendix B Internal I/O Register Field

B.1 Addresses

| Address (low) | Register Name | Data Bus Width | Bit Names | | | | | | | | Module Name |
|------------------|------------------|----------------------|-----------|-------|-------|-------|-------|-------|-------|-------|-------------|
| | | | Bit 7 | Bit 6 | Bit 5 | Bit 4 | Bit 3 | Bit 2 | Bit 1 | Bit 0 | |
| H'1C | | | | | | | | | | | |
| H'1D | | | | | | | | | | | |
| H'1E | | | | | | | | | | | |
| H'1F | | | | | | | | | | | |
| H'20 | — | — | — | — | — | — | — | — | — | — | |
| H'21 | — | — | — | — | — | — | — | — | — | — | |
| H'22 | — | — | — | — | — | — | — | — | — | — | |
| H'23 | — | — | — | — | — | — | — | — | — | — | |
| H'24 | — | — | — | — | — | — | — | — | — | — | |
| H'25 | — | — | — | — | — | — | — | — | — | — | |
| H'26 | — | — | — | — | — | — | — | — | — | — | |
| H'27 | — | — | — | — | — | — | — | — | — | — | |
| H'28 | — | — | — | — | — | — | — | — | — | — | |
| H'29 | — | — | — | — | — | — | — | — | — | — | |
| H'2A | — | — | — | — | — | — | — | — | — | — | |
| H'2B | — | — | — | — | — | — | — | — | — | — | |
| H'2C | — | — | — | — | — | — | — | — | — | — | |
| H'2D | — | — | — | — | — | — | — | — | — | — | |
| H'2E | — | — | — | — | — | — | — | — | — | — | |
| H'2F | — | — | — | — | — | — | — | — | — | — | |
| H'30 | — | — | — | — | — | — | — | — | — | — | |
| H'31 | — | — | — | — | — | — | — | — | — | — | |
| H'32 | — | — | — | — | — | — | — | — | — | — | |
| H'33 | — | — | — | — | — | — | — | — | — | — | |
| H'34 | — | — | — | — | — | — | — | — | — | — | |
| H'35 | — | — | — | — | — | — | — | — | — | — | |
| H'36 | — | — | — | — | — | — | — | — | — | — | |
| H'37 | — | — | — | — | — | — | — | — | — | — | |
| H'38 | — | — | — | — | — | — | — | — | — | — | |
| H'39 | — | — | — | — | — | — | — | — | — | — | |
| H'3A | — | — | — | — | — | — | — | — | — | — | |
| H'3B | — | — | — | — | — | — | — | — | — | — | |
| H'3C | — | — | — | — | — | — | — | — | — | — | |
| H'3D | — | — | — | — | — | — | — | — | — | — | |
| H'3E | — | — | — | — | — | — | — | — | — | — | |
| H'3F | — | — | — | — | — | — | — | — | — | — | |

| Address (low) | Register Name | Data Bus Width | Bit Names | | | | | | | | Module Name |
|------------------|------------------|----------------------|-----------|-------|--------|--------|--------|-------|-------|--------|----------------|
| | | | Bit 7 | Bit 6 | Bit 5 | Bit 4 | Bit 3 | Bit 2 | Bit 1 | Bit 0 | |
| H'40 | FLMCR | 8 | FWE | SWE | ESU | PSU | EV | PV | E | P | Flash memory |
| H'41 | — | — | — | — | — | — | — | — | — | — | |
| H'42 | EBR | 8 | EB7 | EB6 | EB5 | EB4 | EB3 | EB2 | EB1 | EB0 | |
| H'43 | — | — | — | — | — | — | — | — | — | — | |
| H'44 | — | — | — | — | — | — | — | — | — | — | |
| H'45 | — | — | — | — | — | — | — | — | — | — | |
| H'46 | — | — | — | — | — | — | — | — | — | — | |
| H'47 | RAMCR | 8 | — | — | — | — | RAMS | RAM2 | RAM1 | — | |
| H'48 | — | — | — | — | — | — | — | — | — | — | |
| H'49 | — | — | — | — | — | — | — | — | — | — | |
| H'4A | — | — | — | — | — | — | — | — | — | — | |
| H'4B | — | — | — | — | — | — | — | — | — | — | |
| H'4C | — | — | — | — | — | — | — | — | — | — | |
| H'4D | FLMSR | 8 | FLER | — | — | — | — | — | — | — | |
| H'4E | — | — | — | — | — | — | — | — | — | — | |
| H'4F | — | — | — | — | — | — | — | — | — | — | |
| H'50 | — | — | — | — | — | — | — | — | — | — | |
| H'51 | — | — | — | — | — | — | — | — | — | — | |
| H'52 | — | — | — | — | — | — | — | — | — | — | |
| H'53 | — | — | — | — | — | — | — | — | — | — | |
| H'54 | — | — | — | — | — | — | — | — | — | — | |
| H'55 | — | — | — | — | — | — | — | — | — | — | |
| H'56 | — | — | — | — | — | — | — | — | — | — | |
| H'57 | — | — | — | — | — | — | — | — | — | — | |
| H'58 | — | — | — | — | — | — | — | — | — | — | |
| H'59 | — | — | — | — | — | — | — | — | — | — | |
| H'5A | — | — | — | — | — | — | — | — | — | — | |
| H'5B | — | — | — | — | — | — | — | — | — | — | |
| H'5C | — | — | — | — | — | — | — | — | — | — | |
| H'5D | DIVCR | 8 | — | — | — | — | — | — | DIV1 | DIV0 | System control |
| H'5E | MSTCR | 8 | PSTOP | — | MSTOP5 | MSTOP4 | MSTOP3 | — | — | MSTOP0 | |
| H'5F | — | — | — | — | — | — | — | — | — | — | |

Appendix B Internal I/O Register Field

| Address (low) | Register Name | Data Bus Width | Bit Names | | | | | | | | Module Name |
|------------------|------------------|----------------------|-----------|-------|-------|-------|-------|-------|-------|-------|-----------------------|
| | | | Bit 7 | Bit 6 | Bit 5 | Bit 4 | Bit 3 | Bit 2 | Bit 1 | Bit 0 | |
| H'60 | TSTR | 8 | — | — | — | STR4 | STR3 | STR2 | STR1 | STR0 | ITU (all channels) |
| H'61 | TSNC | 8 | — | — | — | SYNC4 | SYNC3 | SYNC2 | SYNC1 | SYNC0 | |
| H'62 | TMDR | 8 | — | MDF | FDIR | PWM4 | PWM3 | PWM2 | PWM1 | PWM0 | |
| H'63 | TFCR | 8 | — | — | CMD1 | CMD0 | BFB4 | BFA4 | BFB3 | BFA3 | ITU channel 0 |
| H'64 | TCR0 | 8 | — | CCLR1 | CCLR0 | CKEG1 | CKEG0 | TPSC2 | TPSC1 | TPSC0 | |
| H'65 | TIOR0 | 8 | — | IOB2 | IOB1 | IOB0 | — | IOA2 | IOA1 | IOA0 | |
| H'66 | TIER0 | 8 | — | — | — | — | — | OVIE | IMIEB | IMIEA | ITU channel 1 |
| H'67 | TSR0 | 8 | — | — | — | — | — | OVF | IMFB | IMFA | |
| H'68 | TCNT0H | 16 | | | | | | | | | |
| H'69 | TCNT0L | | | | | | | | | | |
| H'6A | GRA0H | 16 | | | | | | | | | |
| H'6B | GRA0L | | | | | | | | | | |
| H'6C | GRB0H | 16 | | | | | | | | | |
| H'6D | GRB0L | | | | | | | | | | |
| H'6E | TCR1 | 8 | — | CCLR1 | CCLR0 | CKEG1 | CKEG0 | TPSC2 | TPSC1 | TPSC0 | ITU channel 1 |
| H'6F | TIOR1 | 8 | — | IOB2 | IOB1 | IOB0 | — | IOA2 | IOA1 | IOA0 | |
| H'70 | TIER1 | 8 | — | — | — | — | — | OVIE | IMIEB | IMIEA | |
| H'71 | TSR1 | 8 | — | — | — | — | — | OVF | IMFB | IMFA | ITU channel 2 |
| H'72 | TCNT1H | 16 | | | | | | | | | |
| H'73 | TCNT1L | | | | | | | | | | |
| H'74 | GRA1H | 16 | | | | | | | | | |
| H'75 | GRA1L | | | | | | | | | | |
| H'76 | GRB1H | 16 | | | | | | | | | |
| H'77 | GRB1L | | | | | | | | | | |
| H'78 | TCR2 | 8 | — | CCLR1 | CCLR0 | CKEG1 | CKEG0 | TPSC2 | TPSC1 | TPSC0 | ITU channel 2 |
| H'79 | TIOR2 | 8 | — | IOB2 | IOB1 | IOB0 | — | IOA2 | IOA1 | IOA0 | |
| H'7A | TIER2 | 8 | — | — | — | — | — | OVIE | IMIEB | IMIEA | |
| H'7B | TSR2 | 8 | — | — | — | — | — | OVF | IMFB | IMFA | ITU channel 2 |
| H'7C | TCNT2H | 16 | | | | | | | | | |
| H'7D | TCNT2L | | | | | | | | | | |
| H'7E | GRA2H | 16 | | | | | | | | | |
| H'7F | GRA2L | | | | | | | | | | |
| H'80 | GRB2H | 16 | | | | | | | | | |
| H'81 | GRB2L | | | | | | | | | | |

| Address (low) | Register Name | Data Bus Width | Bit Names | | | | | | | | Module Name |
|------------------|------------------|----------------------|-----------|-------|-------|-------|-------|-------|-------|-------|---------------|
| | | | Bit 7 | Bit 6 | Bit 5 | Bit 4 | Bit 3 | Bit 2 | Bit 1 | Bit 0 | |
| H'82 | TCR3 | 8 | — | CCLR1 | CCLR0 | CKEG1 | CKEG0 | TPSC2 | TPSC1 | TPSC0 | ITU channel 3 |
| H'83 | TIOR3 | 8 | — | IOB2 | IOB1 | IOB0 | — | IOA2 | IOA1 | IOA0 | |
| H'84 | TIER3 | 8 | — | — | — | — | — | OVIE | IMIEB | IMIEA | |
| H'85 | TSR3 | 8 | — | — | — | — | — | OVF | IMFB | IMFA | |
| H'86 | TCNT3H | 16 | | | | | | | | | |
| H'87 | TCNT3L | | | | | | | | | | |
| H'88 | GRA3H | 16 | | | | | | | | | |
| H'89 | GRA3L | | | | | | | | | | |
| H'8A | GRB3H | 16 | | | | | | | | | |
| H'8B | GRB3L | | | | | | | | | | |
| H'8C | BRA3H | 16 | | | | | | | | | |
| H'8D | BRA3L | | | | | | | | | | |
| H'8E | BRB3H | 16 | | | | | | | | | |
| H'8F | BRB3L | | | | | | | | | | |
| H'90 | TOER | 8 | — | — | EXB4 | EXA4 | EB3 | EB4 | EA4 | EA3 | ITU |
| H'91 | TOCR | 8 | — | — | — | XTGD | — | — | OLS4 | OLS3 | (all channel) |
| H'92 | TCR4 | 8 | — | CCLR1 | CCLR0 | CKEG1 | CKEG0 | TPSC2 | TPSC1 | TPSC0 | ITU channel 4 |
| H'93 | TIOR4 | 8 | — | IOB2 | IOB1 | IOB0 | — | IOA2 | IOA1 | IOA0 | |
| H'94 | TIER4 | 8 | — | — | — | — | — | OVIE | IMIEB | IMIEA | |
| H'95 | TSR4 | 8 | — | — | — | — | — | OVF | IMFB | IMFA | |
| H'96 | TCNT4H | 16 | | | | | | | | | |
| H'97 | TCNT4L | | | | | | | | | | |
| H'98 | GRA4H | 16 | | | | | | | | | |
| H'99 | GRA4L | | | | | | | | | | |
| H'9A | GRB4H | 16 | | | | | | | | | |
| H'9B | GRB4L | | | | | | | | | | |
| H'9C | BRA4H | 16 | | | | | | | | | |
| H'9D | BRA4L | | | | | | | | | | |
| H'9E | BRB4H | 16 | | | | | | | | | |
| H'9F | BRB4L | | | | | | | | | | |

Appendix B Internal I/O Register Field

| Address (low) | Register Name | Data Bus Width | Bit Names | | | | | | | | Module Name |
|---------------|----------------------|----------------|-----------|--------|--------|--------|--------|--------|--------|--------|----------------------|
| | | | Bit 7 | Bit 6 | Bit 5 | Bit 4 | Bit 3 | Bit 2 | Bit 1 | Bit 0 | |
| H'A0 | TPMR | 8 | — | — | — | — | G3NOV | G2NOV | G1NOV | G0NOV | TPC |
| H'A1 | TPCR | 8 | G3CMS1 | G3CMS0 | G2CMS1 | G2CMS0 | G1CMS1 | G1CMS0 | G0CMS1 | G0CMS0 | |
| H'A2 | NDERB | 8 | NDER15 | NDER14 | NDER13 | NDER12 | NDER11 | NDER10 | NDER9 | NDER8 | |
| H'A3 | NDERA | 8 | NDER7 | NDER6 | NDER5 | NDER4 | NDER3 | NDER2 | NDER1 | NDER0 | |
| H'A4 | NDRB* ¹ | 8 | NDR15 | NDR14 | NDR13 | NDR12 | NDR11 | NDR10 | NDR9 | NDR8 | |
| | | 8 | NDR15 | NDR14 | NDR13 | NDR12 | — | — | — | — | |
| H'A5 | NDRA* ¹ | 8 | NDR7 | NDR6 | NDR5 | NDR4 | NDR3 | NDR2 | NDR1 | NDR0 | |
| | | 8 | NDR7 | NDR6 | NDR5 | NDR4 | — | — | — | — | |
| H'A6 | NDRB* ¹ | 8 | — | — | — | — | — | — | — | — | |
| | | 8 | — | — | — | — | NDR11 | NDR10 | NDR9 | NDR8 | |
| H'A7 | NDRA* ¹ | 8 | — | — | — | — | — | — | — | — | |
| | | 8 | — | — | — | — | NDR3 | NDR2 | NDR1 | NDR0 | |
| H'A8 | TCSR* ² | 8 | OVF | WT/IT | TME | — | — | CKS2 | CKS1 | CKS0 | WDT |
| H'A9 | TCNT* ² | 8 | | | | | | | | | |
| H'AA | — | — | — | — | — | — | — | — | — | — | |
| H'AB | RSTCSR* ² | 8 | WRST | RSTOE | — | — | — | — | — | — | |
| H'AC | — | — | — | — | — | — | — | — | — | — | |
| H'AD | — | — | — | — | — | — | — | — | — | — | |
| H'AE | — | — | — | — | — | — | — | — | — | — | |
| H'AF | — | — | — | — | — | — | — | — | — | — | |
| H'B0 | SMR | 8 | C/A | CHR | PE | O/E | STOP | MP | CKS1 | CKS0 | SCIO |
| H'B1 | BRR | 8 | | | | | | | | | |
| H'B2 | SCR | 8 | TIE | RIE | TE | RE | MPIE | TEIE | CKE1 | CKE0 | |
| H'B3 | TDR | 8 | | | | | | | | | |
| H'B4 | SSR | 8 | TDRE | RDRF | ORER | FER | PER | TEND | MPB | MPBT | |
| H'B5 | RDR | 8 | | | | | | | | | |
| H'B6 | SCMR | 8 | — | — | — | — | SDIR | SINV | — | SMIF | Smart card interface |
| H'B7 | — | — | — | — | — | — | — | — | — | — | |
| H'B8 | SMR | 8 | C/A | CHR | PE | O/E | STOP | MP | CKS1 | CKS0 | SCIO |
| H'B9 | BRR | 8 | — | — | — | — | — | — | — | — | |
| H'BA | SCR | 8 | TIE | RIE | TE | RE | MPIE | TEIE | CKE1 | CKE0 | |
| H'BB | TDR | 8 | — | — | — | — | — | — | — | — | |
| H'BC | SSR | 8 | TDRE | RDRF | ORER | FER | PER | TEND | MPB | MPBT | |
| H'BD | RDR | 8 | — | — | — | — | — | — | — | — | |
| H'BE | — | — | — | — | — | — | — | — | — | — | |
| H'BF | — | — | — | — | — | — | — | — | — | — | |

| Address (low) | Register Name | Data Bus Width | Bit Names | | | | | | | | | Module Name |
|------------------|------------------|----------------------|---------------------|---------------------|---------------------|---------------------|---------------------|---------------------|---------------------|---------------------|--------|-------------|
| | | | Bit 7 | Bit 6 | Bit 5 | Bit 4 | Bit 3 | Bit 2 | Bit 1 | Bit 0 | | |
| H'C0 | P1DDR | 8 | P1 ₇ DDR | P1 ₆ DDR | P1 ₅ DDR | P1 ₄ DDR | P1 ₃ DDR | P1 ₂ DDR | P1 ₁ DDR | P1 ₀ DDR | Port 1 | |
| H'C1 | P2DDR | 8 | P2 ₇ DDR | P2 ₆ DDR | P2 ₅ DDR | P2 ₄ DDR | P2 ₃ DDR | P2 ₂ DDR | P2 ₁ DDR | P2 ₀ DDR | Port 2 | |
| H'C2 | P1DR | 8 | P1 ₇ | P1 ₆ | P1 ₅ | P1 ₄ | P1 ₃ | P1 ₂ | P1 ₁ | P1 ₀ | Port 1 | |
| H'C3 | P2DR | 8 | P2 ₇ | P2 ₆ | P2 ₅ | P2 ₄ | P2 ₃ | P2 ₂ | P2 ₁ | P2 ₀ | Port 2 | |
| H'C4 | P3DDR | 8 | P3 ₇ DDR | P3 ₆ DDR | P3 ₅ DDR | P3 ₄ DDR | P3 ₃ DDR | P3 ₂ DDR | P3 ₁ DDR | P3 ₀ DDR | Port 3 | |
| H'C5 | — | — | — | — | — | — | — | — | — | — | — | |
| H'C6 | P3DR | 8 | P3 ₇ | P3 ₆ | P3 ₅ | P3 ₄ | P3 ₃ | P3 ₂ | P3 ₁ | P3 ₀ | Port 3 | |
| H'C7 | — | — | — | — | — | — | — | — | — | — | — | |
| H'C8 | P5DDR | 8 | — | — | — | — | P5 ₃ DDR | P5 ₂ DDR | P5 ₁ DDR | P5 ₀ DDR | Port 5 | |
| H'C9 | P6DDR | 8 | — | — | P6 ₅ DDR | P6 ₄ DDR | P6 ₃ DDR | — | — | P6 ₀ DDR | Port 6 | |
| H'CA | P5DR | 8 | — | — | — | — | P5 ₃ | P5 ₂ | P5 ₁ | P5 ₀ | Port 5 | |
| H'CB | P6DR | 8 | — | — | P6 ₅ | P6 ₄ | P6 ₃ | — | — | P6 ₀ | Port 6 | |
| H'CC | — | — | — | — | — | — | — | — | — | — | — | |
| H'CD | P8DDR | 8 | — | — | — | — | — | — | P8 ₈ DDR | P8 _{DDR} | Port 8 | |
| H'CE | P7DR | 8 | P7 ₇ | P7 ₆ | P7 ₅ | P7 ₄ | P7 ₃ | P7 ₂ | P7 ₁ | P7 ₀ | Port 7 | |
| H'CF | P8DR | 8 | — | — | — | — | — | — | P8 ₁ | P8 ₀ | Port 8 | |
| H'D0 | P9DDR | 8 | — | — | P9 ₅ DDR | P9 ₄ DDR | P9 ₃ DDR | P9 ₂ DDR | P9 ₁ DDR | P9 ₀ DDR | Port 9 | |
| H'D1 | PADDR | 8 | PA ₇ DDR | PA ₆ DDR | PA ₅ DDR | PA ₄ DDR | PA ₃ DDR | PA ₂ DDR | PA ₁ DDR | PA ₀ DDR | Port A | |
| H'D2 | P9DR | 8 | — | — | P9 ₅ | P9 ₄ | P9 ₃ | P9 ₂ | P9 ₁ | P9 ₀ | Port 9 | |
| H'D3 | PADR | 8 | PA ₇ | PA ₆ | PA ₅ | PA ₄ | PA ₃ | PA ₂ | PA ₁ | PA ₀ | Port A | |
| H'D4 | PBDDR | 8 | PB ₇ DDR | — | PB ₅ DDR | PB ₄ DDR | PB ₃ DDR | PB ₂ DDR | PB ₁ DDR | PB ₀ DDR | Port B | |
| H'D5 | — | — | — | — | — | — | — | — | — | — | — | |
| H'D6 | PBDR | 8 | PB ₇ | — | PB ₅ | PB ₄ | PB ₃ | PB ₂ | PB ₁ | PB ₀ | Port B | |
| H'D7 | — | — | — | — | — | — | — | — | — | — | — | |
| H'D8 | P2PCR | 8 | P2 ₇ PCR | P2 ₆ PCR | P2 ₅ PCR | P2 ₄ PCR | P2 ₃ PCR | P2 ₂ PCR | P2 ₁ PCR | P2 ₀ PCR | Port 2 | |
| H'D9 | — | — | — | — | — | — | — | — | — | — | — | |
| H'DA | — | — | — | — | — | — | — | — | — | — | — | |
| H'DB | P5PCR | 8 | — | — | — | — | P5 ₃ PCR | P5 ₂ PCR | P5 ₁ PCR | P5 ₀ PCR | Port 5 | |
| H'DC | — | — | — | — | — | — | — | — | — | — | — | |
| H'DD | — | — | — | — | — | — | — | — | — | — | — | |
| H'DE | — | — | — | — | — | — | — | — | — | — | — | |
| H'DF | — | — | — | — | — | — | — | — | — | — | — | |

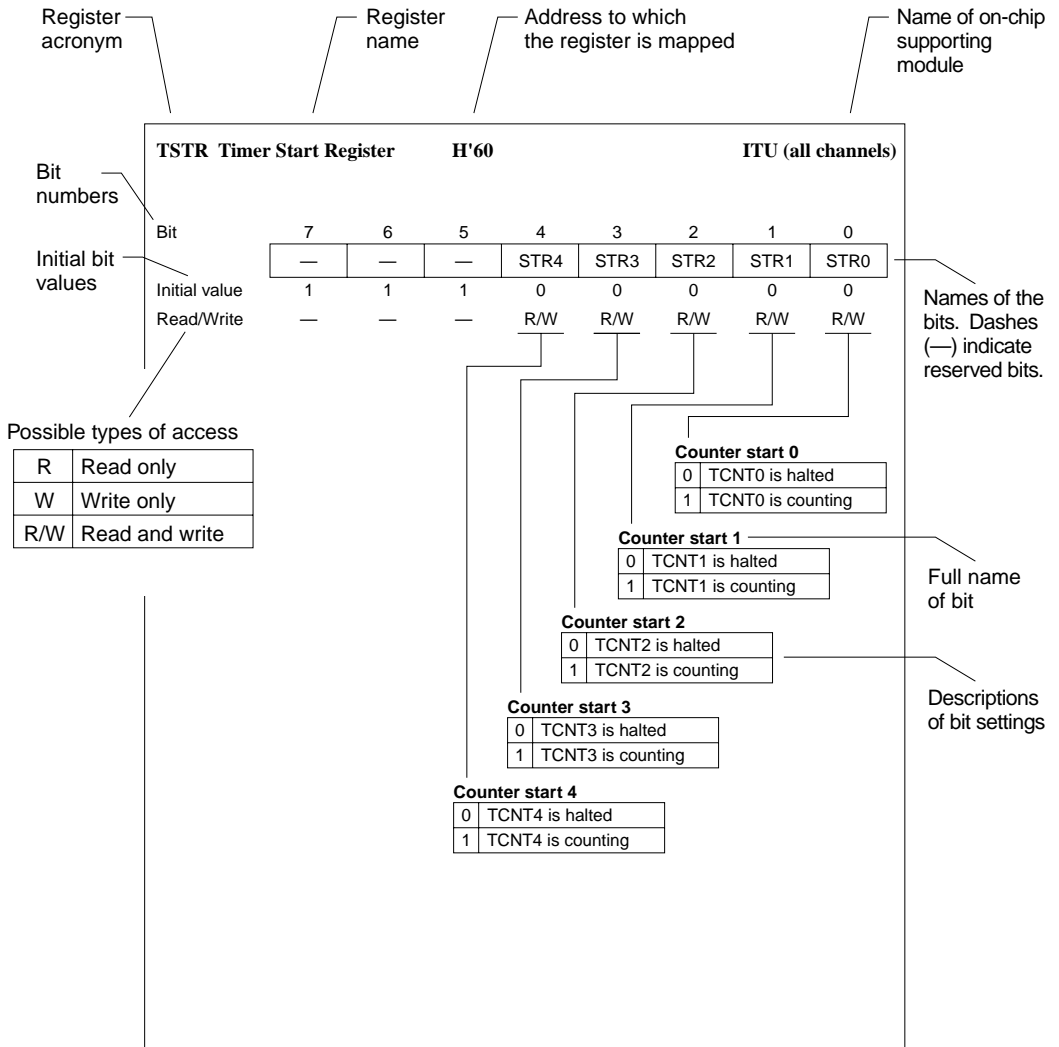
| Address (low) | Register Name | Data Bus Width | Bit Names | | | | | | | | Module Name |
|---------------|---------------|----------------|-------------------|-------------------|-------------------|--------|-------|-------|--------|--------|----------------------|
| | | | Bit 7 | Bit 6 | Bit 5 | Bit 4 | Bit 3 | Bit 2 | Bit 1 | Bit 0 | |
| H'E0 | ADDRAH | 8 | AD9 | AD8 | AD7 | AD6 | AD5 | AD4 | AD3 | AD2 | A/D |
| H'E1 | ADDRAL | 8 | AD1 | AD0 | — | — | — | — | — | — | |
| H'E2 | ADDRBH | 8 | AD9 | AD8 | AD7 | AD6 | AD5 | AD4 | AD3 | AD2 | |
| H'E3 | ADDRBL | 8 | AD1 | AD0 | — | — | — | — | — | — | |
| H'E4 | ADDRCH | 8 | AD9 | AD8 | AD7 | AD6 | AD5 | AD4 | AD3 | AD2 | |
| H'E5 | ADDRCL | 8 | AD1 | AD0 | — | — | — | — | — | — | |
| H'E6 | ADDRDH | 8 | AD9 | AD8 | AD7 | AD6 | AD5 | AD4 | AD3 | AD2 | |
| H'E7 | ADDRDL | 8 | AD1 | AD0 | — | — | — | — | — | — | |
| H'E8 | ADCSR | 8 | ADF | ADIE | ADST | SCAN | CKS | CH2 | CH1 | CH0 | |
| H'E9 | ADCR | 8 | TRGE | — | — | — | — | — | — | — | |
| H'EA | — | — | — | — | — | — | — | — | — | — | |
| H'EB | — | — | — | — | — | — | — | — | — | — | |
| H'EC | — | — | — | — | — | — | — | — | — | — | Bus controller |
| H'ED | ASTCR | 8 | AST7 | AST6 | AST5 | AST4 | AST3 | AST2 | AST1 | AST0 | |
| H'EE | WCR | 8 | — | — | — | — | WMS1 | WMS0 | WC1 | WC0 | |
| H'EF | WCER | 8 | WCE7 | WCE6 | WCE5 | WCE4 | WCE3 | WCE2 | WCE1 | WCE0 | |
| H'F0 | — | — | — | — | — | — | — | — | — | — | |
| H'F1 | MDCR | 8 | — | — | — | — | — | MDS2 | MDS1 | MDS0 | System control |
| H'F2 | SYSCR | 8 | SSBY | STS2 | STS1 | STS0 | UE | NMIEG | — | RAME | |
| H'F3 | ADRCR | 8 | A ₂₃ E | A ₂₂ E | A ₂₁ E | — | — | — | — | — | Bus controller |
| H'F4 | ISCR | 8 | — | — | IRQ5SC | IRQ4SC | — | — | IRQ1SC | IRQ0SC | Interrupt controller |
| H'F5 | IER | 8 | — | — | IRQ5E | IRQ4E | — | — | IRQ1E | IRQ0E | |
| H'F6 | ISR | 8 | — | — | IRQ5F | IRQ4F | — | — | IRQ1F | IRQ0F | |
| H'F7 | — | — | — | — | — | — | — | — | — | — | |
| H'F8 | IPRA | 8 | IPRA7 | IPRA6 | — | IPRA4 | IPRA3 | IPRA2 | IPRA1 | IPRA0 | |
| H'F9 | IPRB | 8 | IPRB7 | IPRB6 | — | — | IPRB3 | IPRB2 | IPRB1 | — | |
| H'FA | — | — | — | — | — | — | — | — | — | — | |
| H'FB | — | — | — | — | — | — | — | — | — | — | |
| H'FC | — | — | — | — | — | — | — | — | — | — | |
| H'FD | — | — | — | — | — | — | — | — | — | — | |
| H'FE | — | — | — | — | — | — | — | — | — | — | |
| H'FF | — | — | — | — | — | — | — | — | — | — | |

Legend:

ITU: 16-bit integrated timer unit
 TPC: Programmable timing pattern controller
 WDT: Watchdog timer
 SCI: Serial communication interface
 A/D: A/D converter

- Notes: 1. The address depends on the output trigger setting.
 2. For write access to TCSR, TCNT, and RSTCSR, see section 10.2.4, Notes on Register Access.

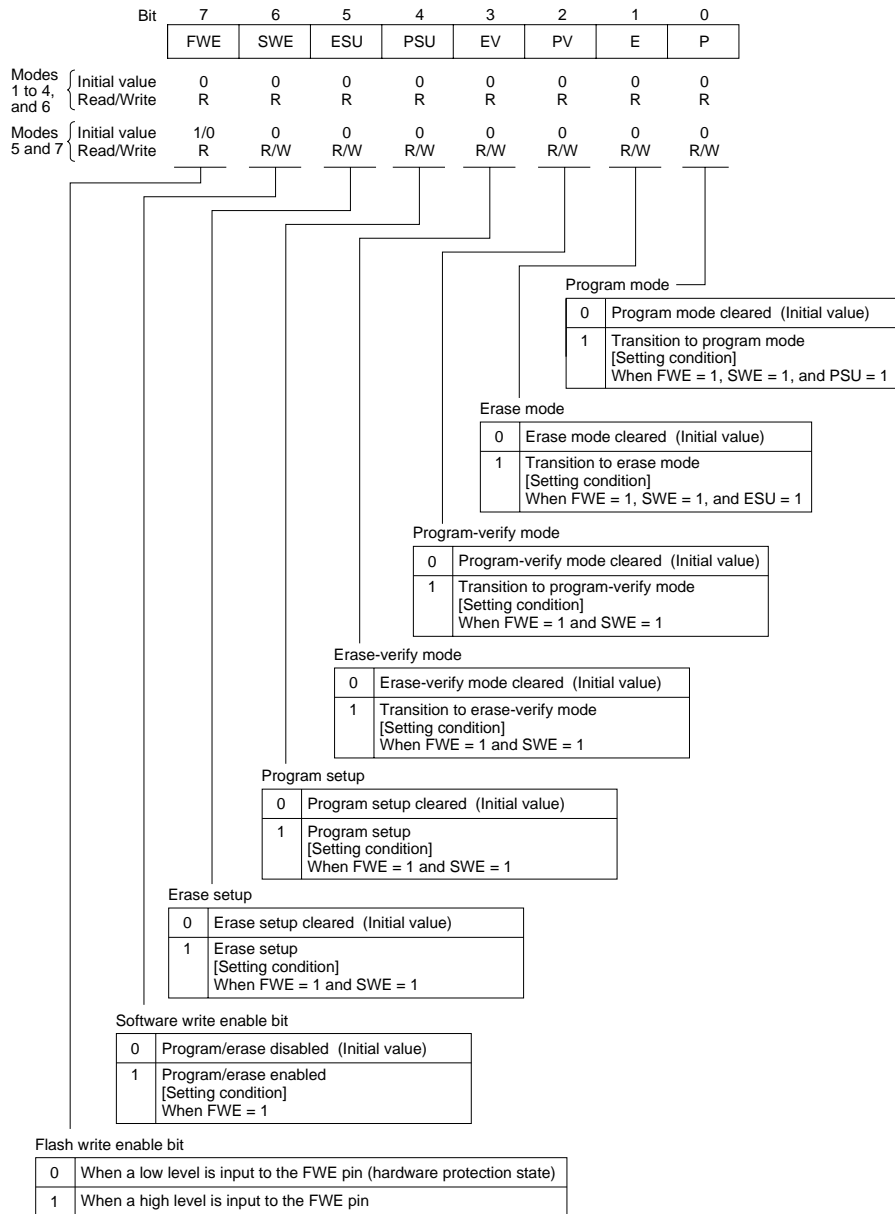
B.2 Function



FLMCR—Flash Memory Control Register

H'40

Flash memory



Note: This register is used only in the flash memory versions.

Reading the corresponding address in a mask ROM version will always return 1s, and writes to this address are disabled. Fix the FWE pin low in mode 6.

EBR—Erase Block Register**H'42****Flash memory**

| Bit | | 7 | 6 | 5 | 4 | 3 | 2 | 1 | 0 |
|---------------------------|---------------|-----|-----|-----|-----|-----|-----|-----|-----|
| | | EB7 | EB6 | EB5 | EB4 | EB3 | EB2 | EB1 | EB0 |
| Modes 1 to 4, and 6 | Initial value | 0 | 0 | 0 | 0 | 0 | 0 | 0 | 0 |
| | Read/Write | R | R | R | R | R | R | R | R |
| Modes 5 to 7 | Initial value | 0 | 0 | 0 | 0 | 0 | 0 | 0 | 0 |
| | Read/Write | R/W | R/W | R/W | R/W | R/W | R/W | R/W | R/W |

Block 7 to 0

| | |
|---|--|
| 0 | Block EB7 to EB0 is not selected (Initial value) |
| 1 | Block EB7 to EB0 is selected |

Note: When not erasing flash memory, EBR should be cleared to H'00.

This register is used only in the flash memory versions. Reading the corresponding address in a mask ROM version will always return 1s, and writes to this address are disabled.

1s cannot be set in this register in mode 6.

RAMCR—RAM Control Register

H'47

Flash Memory

| Bit | 7 | 6 | 5 | 4 | 3 | 2 | 1 | 0 | |
|----------------|---------------|---|---|---|------|------|------|---|---|
| | — | — | — | — | RAMS | RAM2 | RAM1 | — | |
| Modes 1 to 4 { | Initial value | 1 | 1 | 1 | 1 | 0 | 0 | 0 | 1 |
| Read/Write | — | — | — | — | R | R | R | — | |
| Modes 5 to 7 { | Initial value | 1 | 1 | 1 | 1 | 0 | 0 | 0 | 1 |
| Read/Write | — | — | — | — | R/W* | R/W* | R/W* | — | |

Reserved bits

RAM select, RAM2, RAM1

| Bit 3 | Bit 2 | Bit 1 | RAM Area | RAM Emulation Status |
|-------|-------|-------|----------------------|----------------------|
| RAMS | RAM2 | RAM1 | | |
| 0 | 0/1 | 0/1 | H'FFF000 to H'FFF3FF | No emulation |
| 1 | 0 | 0 | H'000000 to H'0003FF | Mapping RAM |
| | | 1 | H'000400 to H'0007FF | |
| | 1 | 0 | H'000800 to H'000BFF | |
| | | 1 | H'000C00 to H'000FFF | |

Note: This register is used only in the flash memory versions. Reading the corresponding address in a mask ROM version will always return 1s, and writes to this address are disabled.

* In mode 6 (single-chip normal mode), flash memory emulation by RAM is not supported; these bits can be modified, but must not be set to 1.

FLMSR—Flash Memory Status Register**H'4D****Flash memory**

| | | | | | | | | |
|---------------|------|---|---|---|---|---|---|---|
| Bit | 7 | 6 | 5 | 4 | 3 | 2 | 1 | 0 |
| | FLER | — | — | — | — | — | — | — |
| Initial value | 0 | 1 | 1 | 1 | 1 | 1 | 1 | 1 |
| Read/Write | R | — | — | — | — | — | — | — |

Flash memory error

| | |
|---|---|
| 0 | Flash memory write/erase protection is disabled (Initial value) |
| 1 | An error has occurred during flash memory writing/erasing Flash memory error protection is enabled |

DIVCR—Division Control Register**H'5D****System control**

| | | | | | | | | |
|---------------|---|---|---|---|---|---|------|------|
| Bit | 7 | 6 | 5 | 4 | 3 | 2 | 1 | 0 |
| | — | — | — | — | — | — | DIV1 | DIV0 |
| Initial value | 1 | 1 | 1 | 1 | 1 | 1 | 0 | 0 |
| Read/Write | — | — | — | — | — | — | R/W | R/W |

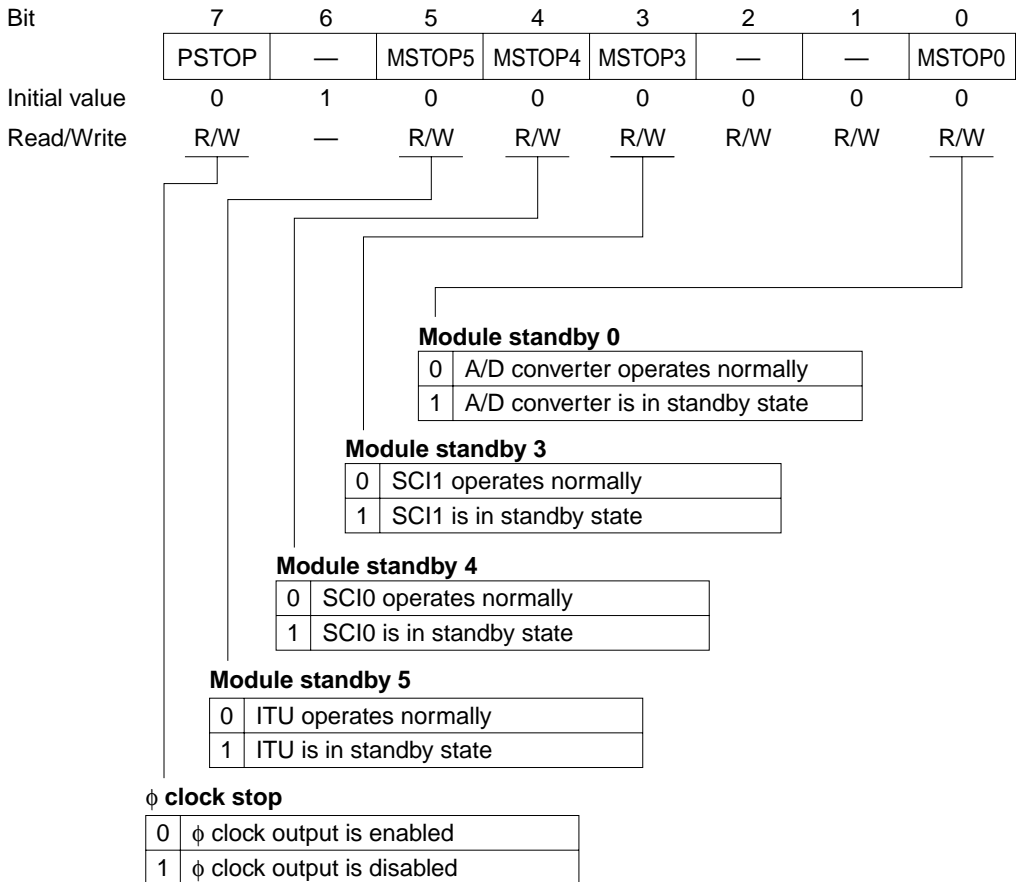
Divide bits 1 and 0

| Bit 1 | Bit 0 | Frequency Division Ratio |
|-------|-------|--------------------------|
| DIV1 | DIV0 | |
| 0 | 0 | 1/initial value |
| | 1 | 1/2 |
| 1 | 0 | 1/4 |
| | 1 | 1/8 |

MSTCR—Module Standby Control Register

H'5E

System control

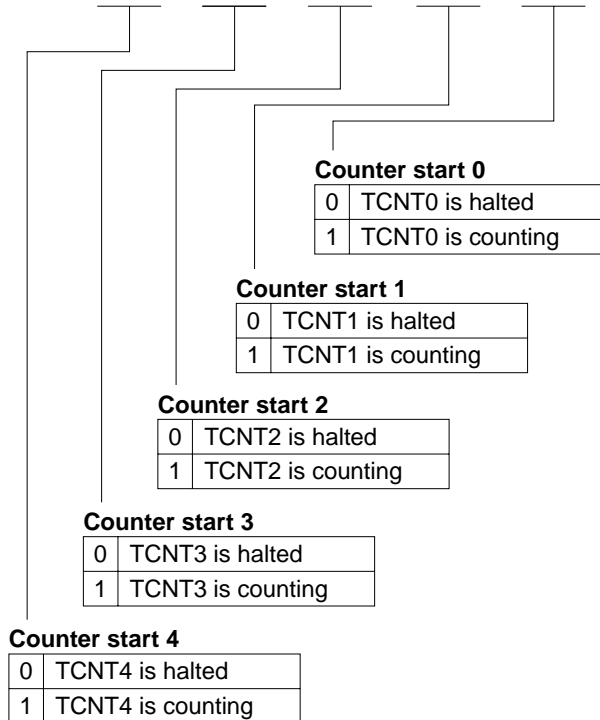


TSTR—Timer Start Register

H'60

ITU (all channels)

| Bit | 7 | 6 | 5 | 4 | 3 | 2 | 1 | 0 |
|---------------|---|---|---|------|------|------|------|------|
| | — | — | — | STR4 | STR3 | STR2 | STR1 | STR0 |
| Initial value | 1 | 1 | 1 | 0 | 0 | 0 | 0 | 0 |
| Read/Write | — | — | — | R/W | R/W | R/W | R/W | R/W |

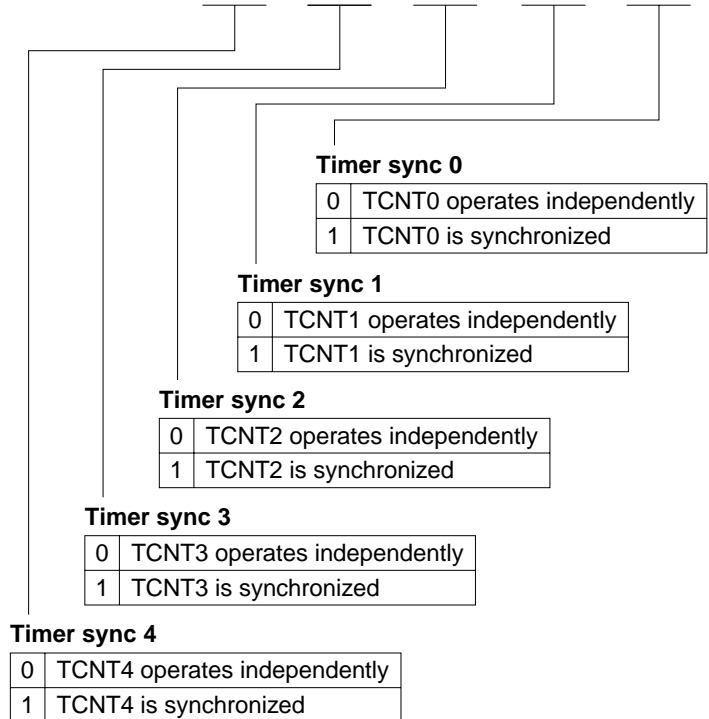


TSNC—Timer Synchro Register

H'61

ITU (all channels)

| Bit | 7 | 6 | 5 | 4 | 3 | 2 | 1 | 0 |
|---------------|---|---|---|-------|-------|-------|-------|-------|
| | — | — | — | SYNC4 | SYNC3 | SYNC2 | SYNC1 | SYNC0 |
| Initial value | 1 | 1 | 1 | 0 | 0 | 0 | 0 | 0 |
| Read/Write | — | — | — | R/W | R/W | R/W | R/W | R/W |

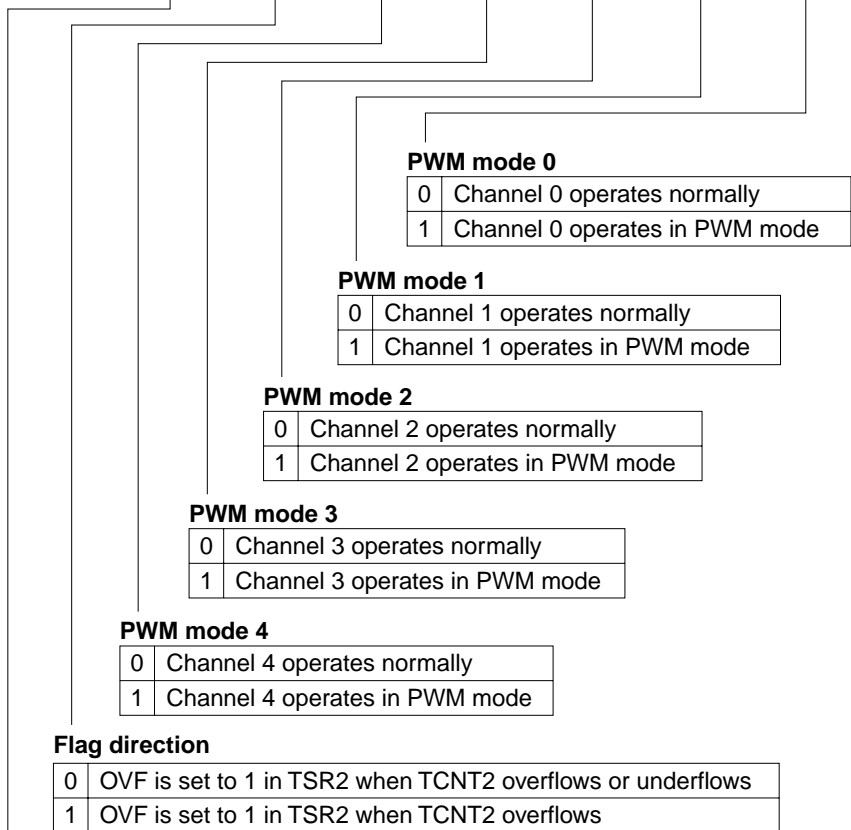


TMDR—Timer Mode Register

H'62

ITU (all channels)

| Bit | 7 | 6 | 5 | 4 | 3 | 2 | 1 | 0 |
|---------------|---|-----|------|------|------|------|------|------|
| | — | MDF | FDIR | PWM4 | PWM3 | PWM2 | PWM1 | PWM0 |
| Initial value | 1 | 0 | 0 | 0 | 0 | 0 | 0 | 0 |
| Read/Write | — | R/W | R/W | R/W | R/W | R/W | R/W | R/W |

**PWM mode 0**

| | |
|---|--------------------------------|
| 0 | Channel 0 operates normally |
| 1 | Channel 0 operates in PWM mode |

PWM mode 1

| | |
|---|--------------------------------|
| 0 | Channel 1 operates normally |
| 1 | Channel 1 operates in PWM mode |

PWM mode 2

| | |
|---|--------------------------------|
| 0 | Channel 2 operates normally |
| 1 | Channel 2 operates in PWM mode |

PWM mode 3

| | |
|---|--------------------------------|
| 0 | Channel 3 operates normally |
| 1 | Channel 3 operates in PWM mode |

PWM mode 4

| | |
|---|--------------------------------|
| 0 | Channel 4 operates normally |
| 1 | Channel 4 operates in PWM mode |

Flag direction

| | |
|---|--|
| 0 | OVF is set to 1 in TSR2 when TCNT2 overflows or underflows |
| 1 | OVF is set to 1 in TSR2 when TCNT2 overflows |

Phase counting mode flag

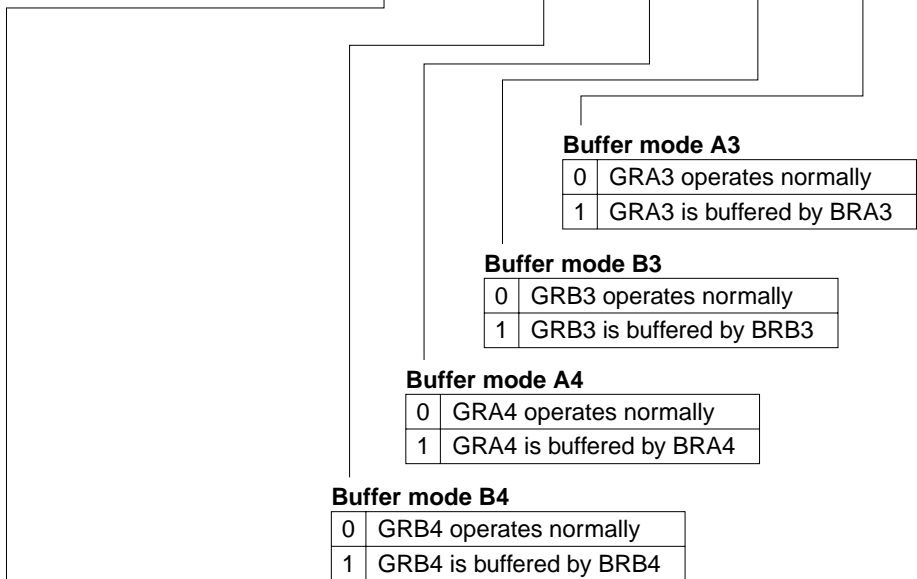
| | |
|---|---|
| 0 | Channel 2 operates normally |
| 1 | Channel 2 operates in phase counting mode |

TFCR—Timer Function Control Register

H'63

ITU (all channels)

| Bit | 7 | 6 | 5 | 4 | 3 | 2 | 1 | 0 |
|---------------|---|---|------|------|------|------|------|------|
| | — | — | CMD1 | CMD0 | BFB4 | BFA4 | BFB3 | BFA3 |
| Initial value | 1 | 1 | 0 | 0 | 0 | 0 | 0 | 0 |
| Read/Write | — | — | R/W | R/W | R/W | R/W | R/W | R/W |

**Combination mode 1 and 0**

| Bit 5 | Bit 4 | Operating Mode of Channels 3 and 4 |
|-------|-------|--|
| CMD1 | CMD0 | |
| 0 | 0 | Channels 3 and 4 operate normally |
| | 1 | |
| 1 | 0 | Channels 3 and 4 operate together in complementary PWM mode |
| | 1 | Channels 3 and 4 operate together in reset-synchronized PWM mode |

TCR0—Timer Control Register 0

H'64

ITU0

| | | | | | | | | |
|---------------|---|-------|-------|-------|-------|-------|-------|-------|
| Bit | 7 | 6 | 5 | 4 | 3 | 2 | 1 | 0 |
| | — | CCLR1 | CCLR0 | CKEG1 | CKEG0 | TPSC2 | TPSC1 | TPSC0 |
| Initial value | 1 | 0 | 0 | 0 | 0 | 0 | 0 | 0 |
| Read/Write | — | R/W | R/W | R/W | R/W | R/W | R/W | R/W |

Timer prescaler 2 to 0

| Bit 2 | Bit 1 | Bit 0 | TCNT Clock Source |
|-------|-------|-------|-------------------------------|
| TPSC2 | TPSC1 | TPSC0 | |
| 0 | 0 | 0 | Internal clock: ϕ |
| | | 1 | Internal clock: $\phi/2$ |
| | 1 | 0 | Internal clock: $\phi/4$ |
| | | 1 | Internal clock: $\phi/8$ |
| 1 | 0 | 0 | External clock A: TCLKA input |
| | | 1 | External clock B: TCLKB input |
| | 1 | 0 | External clock C: TCLKC input |
| | | 1 | External clock D: TCLKD input |

Clock edge 1 and 0

| Bit 4 | Bit 3 | Counted Edges of External Clock |
|-------|-------|---------------------------------|
| CKEG1 | CKEG0 | |
| 0 | 0 | Rising edges counted |
| | 1 | Falling edges counted |
| 1 | — | Both edges counted |

Counter clear 1 and 0

| Bit 6 | Bit 5 | TCNT Clear Source |
|-------|-------|--|
| CCLR1 | CCLR0 | |
| 0 | 0 | TCNT is not cleared |
| | 1 | TCNT is cleared by GRA compare match or input capture |
| 1 | 0 | TCNT is cleared by GRB compare match or input capture |
| | 1 | Synchronous clear: TCNT is cleared in synchronization with other synchronized timers |

TIOR0—Timer I/O Control Register 0

H'65

ITU0

| Bit | 7 | 6 | 5 | 4 | 3 | 2 | 1 | 0 |
|---------------|---|------|------|------|---|------|------|------|
| | — | IOB2 | IOB1 | IOB0 | — | IOA2 | IOA1 | IOA0 |
| Initial value | 1 | 0 | 0 | 0 | 1 | 0 | 0 | 0 |
| Read/Write | — | R/W | R/W | R/W | — | R/W | R/W | R/W |

I/O control A2 to A0

| Bit 2 | Bit 1 | Bit 0 | GRA Function | |
|-------|-------|-------|-----------------------------------|-------------------------------------|
| IOA2 | IOA1 | IOA0 | | |
| 0 | 0 | 0 | GRA is an output compare register | No output at compare match |
| | | 1 | | 0 output at GRA compare match |
| | 1 | 0 | | 1 output at GRA compare match |
| | | 1 | | Output toggles at GRA compare match |
| 1 | 0 | 0 | GRA is an input capture register | GRA captures rising edge of input |
| | | 1 | | GRA captures falling edge of input |
| | 1 | 0 | | GRA captures both edges of input |
| | | 1 | | |

I/O control B2 to B0

| Bit 6 | Bit 5 | Bit 4 | GRB Function | |
|-------|-------|-------|-----------------------------------|-------------------------------------|
| IOB2 | IOB1 | IOB0 | | |
| 0 | 0 | 0 | GRB is an output compare register | No output at compare match |
| | | 1 | | 0 output at GRB compare match |
| | 1 | 0 | | 1 output at GRB compare match |
| | | 1 | | Output toggles at GRB compare match |
| 1 | 0 | 0 | GRB is an input capture register | GRB captures rising edge of input |
| | | 1 | | GRB captures falling edge of input |
| | 1 | 0 | | GRB captures both edges of input |
| | | 1 | | |

TIER0—Timer Interrupt Enable Register 0**H'66****ITU0**

| Bit | 7 | 6 | 5 | 4 | 3 | 2 | 1 | 0 |
|---------------|---|---|---|---|---|------|-------|-------|
| | — | — | — | — | — | OVIE | IMIEB | IMIEA |
| Initial value | 1 | 1 | 1 | 1 | 1 | 0 | 0 | 0 |
| Read/Write | — | — | — | — | — | R/W | R/W | R/W |

Input capture/compare match interrupt enable A

| | |
|---|--|
| 0 | IMIA interrupt requested by IMFA is disabled |
| 1 | IMIA interrupt requested by IMFA is enabled |

Input capture/compare match interrupt enable B

| | |
|---|--|
| 0 | IMIB interrupt requested by IMFB is disabled |
| 1 | IMIB interrupt requested by IMFB is enabled |

Overflow interrupt enable

| | |
|---|--|
| 0 | OVI interrupt requested by OVF is disabled |
| 1 | OVI interrupt requested by OVF is enabled |

TSR0—Timer Status Register 0

H'67

ITU0

| Bit | 7 | 6 | 5 | 4 | 3 | 2 | 1 | 0 |
|---------------|---|---|---|---|---|--------|--------|--------|
| | — | — | — | — | — | OVF | IMFB | IMFA |
| Initial value | 1 | 1 | 1 | 1 | 1 | 0 | 0 | 0 |
| Read/Write | — | — | — | — | — | R/(W)* | R/(W)* | R/(W)* |

Input capture/compare match flag A

| | |
|---|--|
| 0 | [Clearing condition] Read IMFA when IMFA = 1, then write 0 in IMFA |
| 1 | [Setting conditions] <ul style="list-style-type: none"> • TCNT = GRA when GRA functions as a compare match register. • TCNT value is transferred to GRA by an input capture signal, when GRA functions as an input capture register. |

Input capture/compare match flag B

| | |
|---|--|
| 0 | [Clearing condition] Read IMFB when IMFB = 1, then write 0 in IMFB |
| 1 | [Setting conditions] <ul style="list-style-type: none"> • TCNT = GRB when GRB functions as a compare match register. • TCNT value is transferred to GRB by an input capture signal, when GRB functions as an input capture register. |

Overflow flag

| | |
|---|--|
| 0 | [Clearing condition] Read OVF when OVF = 1, then write 0 in OVF |
| 1 | [Setting condition] TCNT overflowed from H'FFFF to H'0000 |

Note: * Only 0 can be written to clear the flag.

TCNT0 H/L—Timer Counter 0 H/L**H'68, H'69****ITU0**

| | | | | | | | | | | | | | | | | |
|---------------|-----|-----|-----|-----|-----|-----|-----|-----|-----|-----|-----|-----|-----|-----|-----|-----|
| Bit | 15 | 14 | 13 | 12 | 11 | 10 | 9 | 8 | 7 | 6 | 5 | 4 | 3 | 2 | 1 | 0 |
| | | | | | | | | | | | | | | | | |
| Initial value | 0 | 0 | 0 | 0 | 0 | 0 | 0 | 0 | 0 | 0 | 0 | 0 | 0 | 0 | 0 | 0 |
| Read/Write | R/W | R/W | R/W | R/W | R/W | R/W | R/W | R/W | R/W | R/W | R/W | R/W | R/W | R/W | R/W | R/W |

Up-counter

GRA0 H/L—General Register A0 H/L**H'6A, H'6B****ITU0**

| | | | | | | | | | | | | | | | | |
|---------------|-----|-----|-----|-----|-----|-----|-----|-----|-----|-----|-----|-----|-----|-----|-----|-----|
| Bit | 15 | 14 | 13 | 12 | 11 | 10 | 9 | 8 | 7 | 6 | 5 | 4 | 3 | 2 | 1 | 0 |
| | | | | | | | | | | | | | | | | |
| Initial value | 1 | 1 | 1 | 1 | 1 | 1 | 1 | 1 | 1 | 1 | 1 | 1 | 1 | 1 | 1 | 1 |
| Read/Write | R/W | R/W | R/W | R/W | R/W | R/W | R/W | R/W | R/W | R/W | R/W | R/W | R/W | R/W | R/W | R/W |

Output compare or input capture register

GRB0 H/L—General Register B0 H/L**H'6C, H'6D****ITU0**

| | | | | | | | | | | | | | | | | |
|---------------|-----|-----|-----|-----|-----|-----|-----|-----|-----|-----|-----|-----|-----|-----|-----|-----|
| Bit | 15 | 14 | 13 | 12 | 11 | 10 | 9 | 8 | 7 | 6 | 5 | 4 | 3 | 2 | 1 | 0 |
| | | | | | | | | | | | | | | | | |
| Initial value | 1 | 1 | 1 | 1 | 1 | 1 | 1 | 1 | 1 | 1 | 1 | 1 | 1 | 1 | 1 | 1 |
| Read/Write | R/W | R/W | R/W | R/W | R/W | R/W | R/W | R/W | R/W | R/W | R/W | R/W | R/W | R/W | R/W | R/W |

Output compare or input capture register

TCR1—Timer Control Register 1**H'6E****ITU1**

| | | | | | | | | |
|---------------|---|-------|-------|-------|-------|-------|-------|-------|
| Bit | 7 | 6 | 5 | 4 | 3 | 2 | 1 | 0 |
| | — | CCLR1 | CCLR0 | CKEG1 | CKEG0 | TPSC2 | TPSC1 | TPSC0 |
| Initial value | 1 | 0 | 0 | 0 | 0 | 0 | 0 | 0 |
| Read/Write | — | R/W | R/W | R/W | R/W | R/W | R/W | R/W |

Note: Bit functions are the same as for ITU0.

TIOR1—Timer I/O Control Register 1**H'6F****ITU1**

| Bit | 7 | 6 | 5 | 4 | 3 | 2 | 1 | 0 |
|---------------|---|------|------|------|---|------|------|------|
| | — | IOB2 | IOB1 | IOB0 | — | IOA2 | IOA1 | IOA0 |
| Initial value | 1 | 0 | 0 | 0 | 1 | 0 | 0 | 0 |
| Read/Write | — | R/W | R/W | R/W | — | R/W | R/W | R/W |

Note: Bit functions are the same as for ITU0.

TIER1—Timer Interrupt Enable Register 1**H'70****ITU1**

| Bit | 7 | 6 | 5 | 4 | 3 | 2 | 1 | 0 |
|---------------|---|---|---|---|---|------|-------|-------|
| | — | — | — | — | — | OVIE | IMIEB | IMIEA |
| Initial value | 1 | 1 | 1 | 1 | 1 | 0 | 0 | 0 |
| Read/Write | — | — | — | — | — | R/W | R/W | R/W |

Note: Bit functions are the same as for ITU0.

TSR1—Timer Status Register 1**H'71****ITU1**

| Bit | 7 | 6 | 5 | 4 | 3 | 2 | 1 | 0 |
|---------------|---|---|---|---|---|--------|--------|--------|
| | — | — | — | — | — | OVF | IMFB | IMFA |
| Initial value | 1 | 1 | 1 | 1 | 1 | 0 | 0 | 0 |
| Read/Write | — | — | — | — | — | R/(W)* | R/(W)* | R/(W)* |

Notes: Bit functions are the same as for ITU0.

* Only 0 can be written to clear the flag.

TCNT1 H/L—Timer Counter 1 H/L**H'72, H'73****ITU1**

| Bit | 15 | 14 | 13 | 12 | 11 | 10 | 9 | 8 | 7 | 6 | 5 | 4 | 3 | 2 | 1 | 0 |
|---------------|-----|-----|-----|-----|-----|-----|-----|-----|-----|-----|-----|-----|-----|-----|-----|-----|
| | | | | | | | | | | | | | | | | |
| Initial value | 0 | 0 | 0 | 0 | 0 | 0 | 0 | 0 | 0 | 0 | 0 | 0 | 0 | 0 | 0 | 0 |
| Read/Write | R/W | R/W | R/W | R/W | R/W | R/W | R/W | R/W | R/W | R/W | R/W | R/W | R/W | R/W | R/W | R/W |

Note: Bit functions are the same as for ITU0.

GRA1 H/L—General Register A1 H/L**H'74, H'75****ITU1**

| | | | | | | | | | | | | | | | | | | | | | | | | | | | | | | | | | |
|---------------|---|-----|-----|-----|-----|-----|-----|-----|-----|-----|-----|-----|-----|-----|-----|-----|--|--|--|--|--|--|--|--|--|--|--|--|--|--|--|--|--|
| Bit | 15 | 14 | 13 | 12 | 11 | 10 | 9 | 8 | 7 | 6 | 5 | 4 | 3 | 2 | 1 | 0 | | | | | | | | | | | | | | | | | |
| | <table border="1" style="width:100%; height:20px;"> <tr><td></td><td></td><td></td><td></td><td></td><td></td><td></td><td></td><td></td><td></td><td></td><td></td><td></td><td></td><td></td><td></td><td></td></tr> </table> | | | | | | | | | | | | | | | | | | | | | | | | | | | | | | | | |
| | | | | | | | | | | | | | | | | | | | | | | | | | | | | | | | | | |
| Initial value | 1 | 1 | 1 | 1 | 1 | 1 | 1 | 1 | 1 | 1 | 1 | 1 | 1 | 1 | 1 | 1 | | | | | | | | | | | | | | | | | |
| Read/Write | R/W | R/W | R/W | R/W | R/W | R/W | R/W | R/W | R/W | R/W | R/W | R/W | R/W | R/W | R/W | R/W | | | | | | | | | | | | | | | | | |

Note: Bit functions are the same as for ITU0.

GRB1 H/L—General Register B1 H/L**H'76, H'77****ITU1**

| | | | | | | | | | | | | | | | | | | | | | | | | | | | | | | | | | |
|---------------|---|-----|-----|-----|-----|-----|-----|-----|-----|-----|-----|-----|-----|-----|-----|-----|--|--|--|--|--|--|--|--|--|--|--|--|--|--|--|--|--|
| Bit | 15 | 14 | 13 | 12 | 11 | 10 | 9 | 8 | 7 | 6 | 5 | 4 | 3 | 2 | 1 | 0 | | | | | | | | | | | | | | | | | |
| | <table border="1" style="width:100%; height:20px;"> <tr><td></td><td></td><td></td><td></td><td></td><td></td><td></td><td></td><td></td><td></td><td></td><td></td><td></td><td></td><td></td><td></td><td></td></tr> </table> | | | | | | | | | | | | | | | | | | | | | | | | | | | | | | | | |
| | | | | | | | | | | | | | | | | | | | | | | | | | | | | | | | | | |
| Initial value | 1 | 1 | 1 | 1 | 1 | 1 | 1 | 1 | 1 | 1 | 1 | 1 | 1 | 1 | 1 | 1 | | | | | | | | | | | | | | | | | |
| Read/Write | R/W | R/W | R/W | R/W | R/W | R/W | R/W | R/W | R/W | R/W | R/W | R/W | R/W | R/W | R/W | R/W | | | | | | | | | | | | | | | | | |

Note: Bit functions are the same as for ITU0.

TCR2—Timer Control Register 2**H'78****ITU2**

| | | | | | | | | | | | | | | | | |
|---------------|---|-------|-------|-------|-------|-------|-------|-----|---|-------|-------|-------|-------|-------|-------|-------|
| Bit | 7 | 6 | 5 | 4 | 3 | 2 | 1 | 0 | | | | | | | | |
| | <table border="1" style="width:100%; height:20px;"> <tr> <td style="text-align:center">—</td> <td style="text-align:center">CCLR1</td> <td style="text-align:center">CCLR0</td> <td style="text-align:center">CKEG1</td> <td style="text-align:center">CKEG0</td> <td style="text-align:center">TPSC2</td> <td style="text-align:center">TPSC1</td> <td style="text-align:center">TPSC0</td> </tr> </table> | | | | | | | | — | CCLR1 | CCLR0 | CKEG1 | CKEG0 | TPSC2 | TPSC1 | TPSC0 |
| — | CCLR1 | CCLR0 | CKEG1 | CKEG0 | TPSC2 | TPSC1 | TPSC0 | | | | | | | | | |
| Initial value | 1 | 0 | 0 | 0 | 0 | 0 | 0 | 0 | | | | | | | | |
| Read/Write | — | R/W | R/W | R/W | R/W | R/W | R/W | R/W | | | | | | | | |

- Notes: 1. Bit functions are the same as for ITU0.
 2. When channel 2 is used in phase counting mode, the counter clock source selection by bits CKEG1, CKEG0 and TPSC2 to TPSC0 is ignored.

TIOR2—Timer I/O Control Register 2**H'79****ITU2**

| Bit | 7 | 6 | 5 | 4 | 3 | 2 | 1 | 0 |
|---------------|---|------|------|------|---|------|------|------|
| | — | IOB2 | IOB1 | IOB0 | — | IOA2 | IOA1 | IOA0 |
| Initial value | 1 | 0 | 0 | 0 | 1 | 0 | 0 | 0 |
| Read/Write | — | R/W | R/W | R/W | — | R/W | R/W | R/W |

Notes: 1. Bit functions are the same as for ITU0.

2. Channel 2 does not have a compare match toggle output function. If this setting is used, 1 output will be selected automatically.

TIER2—Timer Interrupt Enable Register 2**H'7A****ITU2**

| Bit | 7 | 6 | 5 | 4 | 3 | 2 | 1 | 0 |
|---------------|---|---|---|---|---|------|-------|-------|
| | — | — | — | — | — | OVIE | IMIEB | IMIEA |
| Initial value | 1 | 1 | 1 | 1 | 1 | 0 | 0 | 0 |
| Read/Write | — | — | — | — | — | R/W | R/W | R/W |

Note: Bit functions are the same as for ITU0.

TSR2—Timer Status Register 2

H'7B

ITU2

| Bit | 7 | 6 | 5 | 4 | 3 | 2 | 1 | 0 |
|---------------|---|---|---|---|---|--------|--------|--------|
| | — | — | — | — | — | OVF | IMFB | IMFA |
| Initial value | 1 | 1 | 1 | 1 | 1 | 0 | 0 | 0 |
| Read/Write | — | — | — | — | — | R/(W)* | R/(W)* | R/(W)* |

Bit functions are the same as for ITU0

Overflow flag

| | |
|---|---|
| 0 | [Clearing condition] Read OVF when OVF = 1, then write 0 in OVF |
| 1 | [Setting condition] TCNT overflowed from H'FFFF to H'0000 or underflowed from H'0000 to H'FFFF |

Note: * Only 0 can be written to clear the flag.

TCNT2 H/L—Timer Counter 2 H/L

H'7C, H'7D

ITU2

| Bit | 15 | 14 | 13 | 12 | 11 | 10 | 9 | 8 | 7 | 6 | 5 | 4 | 3 | 2 | 1 | 0 |
|---------------|-----|-----|-----|-----|-----|-----|-----|-----|-----|-----|-----|-----|-----|-----|-----|-----|
| | | | | | | | | | | | | | | | | |
| Initial value | 0 | 0 | 0 | 0 | 0 | 0 | 0 | 0 | 0 | 0 | 0 | 0 | 0 | 0 | 0 | 0 |
| Read/Write | R/W | R/W | R/W | R/W | R/W | R/W | R/W | R/W | R/W | R/W | R/W | R/W | R/W | R/W | R/W | R/W |

Phase counting mode: up/down-counter
Other modes: up-counter

GRA2 H/L—General Register A2 H/L**H'7E, H'7F****ITU2**

| | | | | | | | | | | | | | | | | |
|---------------|-----|-----|-----|-----|-----|-----|-----|-----|-----|-----|-----|-----|-----|-----|-----|-----|
| Bit | 15 | 14 | 13 | 12 | 11 | 10 | 9 | 8 | 7 | 6 | 5 | 4 | 3 | 2 | 1 | 0 |
| | | | | | | | | | | | | | | | | |
| Initial value | 1 | 1 | 1 | 1 | 1 | 1 | 1 | 1 | 1 | 1 | 1 | 1 | 1 | 1 | 1 | 1 |
| Read/Write | R/W | R/W | R/W | R/W | R/W | R/W | R/W | R/W | R/W | R/W | R/W | R/W | R/W | R/W | R/W | R/W |

Note: Bit functions are the same as for ITU0.

GRB2 H/L—General Register B2 H/L**H'80, H'81****ITU2**

| | | | | | | | | | | | | | | | | |
|---------------|-----|-----|-----|-----|-----|-----|-----|-----|-----|-----|-----|-----|-----|-----|-----|-----|
| Bit | 15 | 14 | 13 | 12 | 11 | 10 | 9 | 8 | 7 | 6 | 5 | 4 | 3 | 2 | 1 | 0 |
| | | | | | | | | | | | | | | | | |
| Initial value | 1 | 1 | 1 | 1 | 1 | 1 | 1 | 1 | 1 | 1 | 1 | 1 | 1 | 1 | 1 | 1 |
| Read/Write | R/W | R/W | R/W | R/W | R/W | R/W | R/W | R/W | R/W | R/W | R/W | R/W | R/W | R/W | R/W | R/W |

Note: Bit functions are the same as for ITU0.

TCR3—Timer Control Register 3**H'82****ITU3**

| | | | | | | | | |
|---------------|---|-------|-------|-------|-------|-------|-------|-------|
| Bit | 7 | 6 | 5 | 4 | 3 | 2 | 1 | 0 |
| | — | CCLR1 | CCLR0 | CKEG1 | CLEG0 | TPSC2 | TPSC1 | TPSC0 |
| Initial value | 1 | 0 | 0 | 0 | 0 | 0 | 0 | 0 |
| Read/Write | — | R/W | R/W | R/W | R/W | R/W | R/W | R/W |

Note: Bit functions are the same as for ITU0.

TIOR3—Timer I/O Control Register 3**H'83****ITU3**

| | | | | | | | | |
|---------------|---|------|------|------|---|------|------|------|
| Bit | 7 | 6 | 5 | 4 | 3 | 2 | 1 | 0 |
| | — | IOB2 | IOB1 | IOB0 | — | IOA2 | IOA1 | IOA0 |
| Initial value | 1 | 0 | 0 | 0 | 1 | 0 | 0 | 0 |
| Read/Write | — | R/W | R/W | R/W | — | R/W | R/W | R/W |

Note: Bit functions are the same as for ITU0.

TIER3—Timer Interrupt Enable Register 3**H'84****ITU3**

| Bit | 7 | 6 | 5 | 4 | 3 | 2 | 1 | 0 |
|---------------|---|---|---|---|---|------|-------|-------|
| | — | — | — | — | — | OVIE | IMIEB | IMIEA |
| Initial value | 1 | 1 | 1 | 1 | 1 | 0 | 0 | 0 |
| Read/Write | — | — | — | — | — | R/W | R/W | R/W |

Note: Bit functions are the same as for ITU0.

TSR3—Timer Status Register 3**H'85****ITU3**

| Bit | 7 | 6 | 5 | 4 | 3 | 2 | 1 | 0 |
|---------------|---|---|---|---|---|--------|--------|--------|
| | — | — | — | — | — | OVF | IMFB | IMFA |
| Initial value | 1 | 1 | 1 | 1 | 1 | 0 | 0 | 0 |
| Read/Write | — | — | — | — | — | R/(W)* | R/(W)* | R/(W)* |

Bit functions are the same as for ITU0

Overflow flag

| | |
|---|---|
| 0 | [Clearing condition] Read OVF when OVF = 1, then write 0 in OVF |
| 1 | [Setting condition] TCNT overflowed from H'FFFF to H'0000 or underflowed from H'0000 to H'FFFF |

Note: * Only 0 can be written to clear the flag.

TCNT3 H/L—Timer Counter 3 H/L**H'86, H'87****ITU3**

| Bit | 15 | 14 | 13 | 12 | 11 | 10 | 9 | 8 | 7 | 6 | 5 | 4 | 3 | 2 | 1 | 0 |
|---------------|-----|-----|-----|-----|-----|-----|-----|-----|-----|-----|-----|-----|-----|-----|-----|-----|
| | | | | | | | | | | | | | | | | |
| Initial value | 0 | 0 | 0 | 0 | 0 | 0 | 0 | 0 | 0 | 0 | 0 | 0 | 0 | 0 | 0 | 0 |
| Read/Write | R/W | R/W | R/W | R/W | R/W | R/W | R/W | R/W | R/W | R/W | R/W | R/W | R/W | R/W | R/W | R/W |

Complementary PWM mode: up/down counter
Other modes: up-counter

GRA3 H/L—General Register A3 H/L**H'88, H'89****ITU3**

| | | | | | | | | | | | | | | | | |
|---------------|-----|-----|-----|-----|-----|-----|-----|-----|-----|-----|-----|-----|-----|-----|-----|-----|
| Bit | 15 | 14 | 13 | 12 | 11 | 10 | 9 | 8 | 7 | 6 | 5 | 4 | 3 | 2 | 1 | 0 |
| Initial value | 1 | 1 | 1 | 1 | 1 | 1 | 1 | 1 | 1 | 1 | 1 | 1 | 1 | 1 | 1 | 1 |
| Read/Write | R/W | R/W | R/W | R/W | R/W | R/W | R/W | R/W | R/W | R/W | R/W | R/W | R/W | R/W | R/W | R/W |

Output compare or input capture register (can be buffered)

GRB3 H/L—General Register B3 H/L**H'8A, H'8B****ITU3**

| | | | | | | | | | | | | | | | | |
|---------------|-----|-----|-----|-----|-----|-----|-----|-----|-----|-----|-----|-----|-----|-----|-----|-----|
| Bit | 15 | 14 | 13 | 12 | 11 | 10 | 9 | 8 | 7 | 6 | 5 | 4 | 3 | 2 | 1 | 0 |
| Initial value | 1 | 1 | 1 | 1 | 1 | 1 | 1 | 1 | 1 | 1 | 1 | 1 | 1 | 1 | 1 | 1 |
| Read/Write | R/W | R/W | R/W | R/W | R/W | R/W | R/W | R/W | R/W | R/W | R/W | R/W | R/W | R/W | R/W | R/W |

Output compare or input capture register (can be buffered)

BRA3 H/L—Buffer Register A3 H/L**H'8C, H'8D****ITU3**

| | | | | | | | | | | | | | | | | |
|---------------|-----|-----|-----|-----|-----|-----|-----|-----|-----|-----|-----|-----|-----|-----|-----|-----|
| Bit | 15 | 14 | 13 | 12 | 11 | 10 | 9 | 8 | 7 | 6 | 5 | 4 | 3 | 2 | 1 | 0 |
| Initial value | 1 | 1 | 1 | 1 | 1 | 1 | 1 | 1 | 1 | 1 | 1 | 1 | 1 | 1 | 1 | 1 |
| Read/Write | R/W | R/W | R/W | R/W | R/W | R/W | R/W | R/W | R/W | R/W | R/W | R/W | R/W | R/W | R/W | R/W |

Used to buffer GRA

BRB3 H/L—Buffer Register B3 H/L**H'8E, H'8F****ITU3**

| | | | | | | | | | | | | | | | | |
|---------------|-----|-----|-----|-----|-----|-----|-----|-----|-----|-----|-----|-----|-----|-----|-----|-----|
| Bit | 15 | 14 | 13 | 12 | 11 | 10 | 9 | 8 | 7 | 6 | 5 | 4 | 3 | 2 | 1 | 0 |
| Initial value | 1 | 1 | 1 | 1 | 1 | 1 | 1 | 1 | 1 | 1 | 1 | 1 | 1 | 1 | 1 | 1 |
| Read/Write | R/W | R/W | R/W | R/W | R/W | R/W | R/W | R/W | R/W | R/W | R/W | R/W | R/W | R/W | R/W | R/W |

Used to buffer GRB

TOER—Timer Output Enable Register

H'90

ITU (all channels)

| Bit | 7 | 6 | 5 | 4 | 3 | 2 | 1 | 0 |
|---------------|---|---|------|------|-----|-----|-----|-----|
| | — | — | EXB4 | EXA4 | EB3 | EB4 | EA4 | EA3 |
| Initial value | 1 | 1 | 1 | 1 | 1 | 1 | 1 | 1 |
| Read/Write | — | — | R/W | R/W | R/W | R/W | R/W | R/W |

Master enable TIOCA₃

| | |
|---|--|
| 0 | TIOCA ₃ output is disabled regardless of TIOR3, TMDR, and TFCR settings |
| 1 | TIOCA ₃ is enabled for output according to TIOR3, TMDR, and TFCR settings |

Master enable TIOCA₄

| | |
|---|--|
| 0 | TIOCA ₄ output is disabled regardless of TIOR4, TMDR, and TFCR settings |
| 1 | TIOCA ₄ is enabled for output according to TIOR4, TMDR, and TFCR settings |

Master enable TIOCB₄

| | |
|---|---|
| 0 | TIOCB ₄ output is disabled regardless of TIOR4 and TFCR settings |
| 1 | TIOCB ₄ is enabled for output according to TIOR4 and TFCR settings |

Master enable TIOCB₃

| | |
|---|---|
| 0 | TIOCB ₃ output is disabled regardless of TIOR3 and TFCR settings |
| 1 | TIOCB ₃ is enabled for output according to TIOR3 and TFCR settings |

Master enable TOCXA₄

| | |
|---|---|
| 0 | TOCXA ₄ output is disabled regardless of TFCR settings |
| 1 | TOCXA ₄ is enabled for output according to TFCR settings |

Master enable TOCXB₄

| | |
|---|---|
| 0 | TOCXB ₄ output is disabled regardless of TFCR settings |
| 1 | TOCXB ₄ is enabled for output according to TFCR settings |

TOCR—Timer Output Control Register

H'91

ITU (all channels)

| Bit | 7 | 6 | 5 | 4 | 3 | 2 | 1 | 0 |
|---------------|---|---|---|------|---|---|------|------|
| | — | — | — | XTGD | — | — | OLS4 | OLS3 |
| Initial value | 1 | 1 | 1 | 1 | 1 | 1 | 1 | 1 |
| Read/Write | — | — | — | R/W | — | — | R/W | R/W |

Output level select 3

| | |
|---|---|
| 0 | TIOCB ₃ , TOCXA ₄ , and TOCXB ₄ outputs are inverted |
| 1 | TIOCB ₃ , TOCXA ₄ , and TOCXB ₄ outputs are not inverted |

Output level select 4

| | |
|---|---|
| 0 | TIOCA ₃ , TIOCA ₄ , and TIOCB ₄ outputs are inverted |
| 1 | TIOCA ₃ , TIOCA ₄ , and TIOCB ₄ outputs are not inverted |

External trigger disable

| | |
|---|---|
| 0 | Input capture A in channel 1 is used as an external trigger signal in reset-synchronized PWM mode and complementary PWM mode* |
| 1 | External triggering is disabled |

Note: * When an external trigger occurs, bits 5 to 0 in TOER are cleared to 0, disabling ITU output.

TCR4—Timer Control Register 4

H'92

ITU4

| Bit | 7 | 6 | 5 | 4 | 3 | 2 | 1 | 0 |
|---------------|---|-------|-------|-------|-------|-------|-------|-------|
| | — | CCLR1 | CCLR0 | CKEG1 | CKEG0 | TPSC2 | TPSC1 | TPSC0 |
| Initial value | 1 | 0 | 0 | 0 | 0 | 0 | 0 | 0 |
| Read/Write | — | R/W | R/W | R/W | R/W | R/W | R/W | R/W |

Note: Bit functions are the same as for ITU0.

TIOR4—Timer I/O Control Register 4**H'93****ITU4**

| Bit | 7 | 6 | 5 | 4 | 3 | 2 | 1 | 0 |
|---------------|---|------|------|------|---|------|------|------|
| | — | IOB2 | IOB1 | IOB0 | — | IOA2 | IOA1 | IOA0 |
| Initial value | 1 | 0 | 0 | 0 | 1 | 0 | 0 | 0 |
| Read/Write | — | R/W | R/W | R/W | — | R/W | R/W | R/W |

Note: Bit functions are the same as for ITU0.

TIER4—Timer Interrupt Enable Register 4**H'94****ITU4**

| Bit | 7 | 6 | 5 | 4 | 3 | 2 | 1 | 0 |
|---------------|---|---|---|---|---|------|-------|-------|
| | — | — | — | — | — | OVIE | IMIEB | IMIEA |
| Initial value | 1 | 1 | 1 | 1 | 1 | 0 | 0 | 0 |
| Read/Write | — | — | — | — | — | R/W | R/W | R/W |

Note: Bit functions are the same as for ITU0.

TSR4—Timer Status Register 4**H'95****ITU4**

| Bit | 7 | 6 | 5 | 4 | 3 | 2 | 1 | 0 |
|---------------|---|---|---|---|---|--------|--------|--------|
| | — | — | — | — | — | OVF | IMFB | IMFA |
| Initial value | 1 | 1 | 1 | 1 | 1 | 0 | 0 | 0 |
| Read/Write | — | — | — | — | — | R/(W)* | R/(W)* | R/(W)* |

Notes: Bit functions are the same as for ITU0.

* Only 0 can be written to clear the flag.

TCNT4 H/L—Timer Counter 4 H/L**H'96, H'97****ITU4**

| Bit | 15 | 14 | 13 | 12 | 11 | 10 | 9 | 8 | 7 | 6 | 5 | 4 | 3 | 2 | 1 | 0 |
|---------------|-----|-----|-----|-----|-----|-----|-----|-----|-----|-----|-----|-----|-----|-----|-----|-----|
| | | | | | | | | | | | | | | | | |
| Initial value | 0 | 0 | 0 | 0 | 0 | 0 | 0 | 0 | 0 | 0 | 0 | 0 | 0 | 0 | 0 | 0 |
| Read/Write | R/W | R/W | R/W | R/W | R/W | R/W | R/W | R/W | R/W | R/W | R/W | R/W | R/W | R/W | R/W | R/W |

Note: Bit functions are the same as for ITU3.

GRA4 H/L—General Register A4 H/L**H'98, H'99****ITU4**

| | | | | | | | | | | | | | | | | |
|---------------|--------------------------|--------------------------|--------------------------|--------------------------|--------------------------|--------------------------|--------------------------|--------------------------|--------------------------|--------------------------|--------------------------|--------------------------|--------------------------|--------------------------|--------------------------|--------------------------|
| Bit | 15 | 14 | 13 | 12 | 11 | 10 | 9 | 8 | 7 | 6 | 5 | 4 | 3 | 2 | 1 | 0 |
| | <input type="checkbox"/> | <input type="checkbox"/> | <input type="checkbox"/> | <input type="checkbox"/> | <input type="checkbox"/> | <input type="checkbox"/> | <input type="checkbox"/> | <input type="checkbox"/> | <input type="checkbox"/> | <input type="checkbox"/> | <input type="checkbox"/> | <input type="checkbox"/> | <input type="checkbox"/> | <input type="checkbox"/> | <input type="checkbox"/> | <input type="checkbox"/> |
| Initial value | 1 | 1 | 1 | 1 | 1 | 1 | 1 | 1 | 1 | 1 | 1 | 1 | 1 | 1 | 1 | 1 |
| Read/Write | R/W | R/W | R/W | R/W | R/W | R/W | R/W | R/W | R/W | R/W | R/W | R/W | R/W | R/W | R/W | R/W |

Note: Bit functions are the same as for ITU3.

GRB4 H/L—General Register B4 H/L**H'9A, H'9B****ITU4**

| | | | | | | | | | | | | | | | | |
|---------------|--------------------------|--------------------------|--------------------------|--------------------------|--------------------------|--------------------------|--------------------------|--------------------------|--------------------------|--------------------------|--------------------------|--------------------------|--------------------------|--------------------------|--------------------------|--------------------------|
| Bit | 15 | 14 | 13 | 12 | 11 | 10 | 9 | 8 | 7 | 6 | 5 | 4 | 3 | 2 | 1 | 0 |
| | <input type="checkbox"/> | <input type="checkbox"/> | <input type="checkbox"/> | <input type="checkbox"/> | <input type="checkbox"/> | <input type="checkbox"/> | <input type="checkbox"/> | <input type="checkbox"/> | <input type="checkbox"/> | <input type="checkbox"/> | <input type="checkbox"/> | <input type="checkbox"/> | <input type="checkbox"/> | <input type="checkbox"/> | <input type="checkbox"/> | <input type="checkbox"/> |
| Initial value | 1 | 1 | 1 | 1 | 1 | 1 | 1 | 1 | 1 | 1 | 1 | 1 | 1 | 1 | 1 | 1 |
| Read/Write | R/W | R/W | R/W | R/W | R/W | R/W | R/W | R/W | R/W | R/W | R/W | R/W | R/W | R/W | R/W | R/W |

Note: Bit functions are the same as for ITU3.

BRA4 H/L—Buffer Register A4 H/L**H'9C, H'9D****ITU4**

| | | | | | | | | | | | | | | | | |
|---------------|--------------------------|--------------------------|--------------------------|--------------------------|--------------------------|--------------------------|--------------------------|--------------------------|--------------------------|--------------------------|--------------------------|--------------------------|--------------------------|--------------------------|--------------------------|--------------------------|
| Bit | 15 | 14 | 13 | 12 | 11 | 10 | 9 | 8 | 7 | 6 | 5 | 4 | 3 | 2 | 1 | 0 |
| | <input type="checkbox"/> | <input type="checkbox"/> | <input type="checkbox"/> | <input type="checkbox"/> | <input type="checkbox"/> | <input type="checkbox"/> | <input type="checkbox"/> | <input type="checkbox"/> | <input type="checkbox"/> | <input type="checkbox"/> | <input type="checkbox"/> | <input type="checkbox"/> | <input type="checkbox"/> | <input type="checkbox"/> | <input type="checkbox"/> | <input type="checkbox"/> |
| Initial value | 1 | 1 | 1 | 1 | 1 | 1 | 1 | 1 | 1 | 1 | 1 | 1 | 1 | 1 | 1 | 1 |
| Read/Write | R/W | R/W | R/W | R/W | R/W | R/W | R/W | R/W | R/W | R/W | R/W | R/W | R/W | R/W | R/W | R/W |

Note: Bit functions are the same as for ITU3.

BRB4 H/L—Buffer Register B4 H/L**H'9E, H'9F****ITU4**

| | | | | | | | | | | | | | | | | |
|---------------|--------------------------|--------------------------|--------------------------|--------------------------|--------------------------|--------------------------|--------------------------|--------------------------|--------------------------|--------------------------|--------------------------|--------------------------|--------------------------|--------------------------|--------------------------|--------------------------|
| Bit | 15 | 14 | 13 | 12 | 11 | 10 | 9 | 8 | 7 | 6 | 5 | 4 | 3 | 2 | 1 | 0 |
| | <input type="checkbox"/> | <input type="checkbox"/> | <input type="checkbox"/> | <input type="checkbox"/> | <input type="checkbox"/> | <input type="checkbox"/> | <input type="checkbox"/> | <input type="checkbox"/> | <input type="checkbox"/> | <input type="checkbox"/> | <input type="checkbox"/> | <input type="checkbox"/> | <input type="checkbox"/> | <input type="checkbox"/> | <input type="checkbox"/> | <input type="checkbox"/> |
| Initial value | 1 | 1 | 1 | 1 | 1 | 1 | 1 | 1 | 1 | 1 | 1 | 1 | 1 | 1 | 1 | 1 |
| Read/Write | R/W | R/W | R/W | R/W | R/W | R/W | R/W | R/W | R/W | R/W | R/W | R/W | R/W | R/W | R/W | R/W |

Note: Bit functions are the same as for ITU3.

TPMR—TPC Output Mode Register

H'A0

TPC

| Bit | 7 | 6 | 5 | 4 | 3 | 2 | 1 | 0 |
|---------------|---|---|---|---|-------|-------|-------|-------|
| | — | — | — | — | G3NOV | G2NOV | G1NOV | G0NOV |
| Initial value | 1 | 1 | 1 | 1 | 0 | 0 | 0 | 0 |
| Read/Write | — | — | — | — | R/W | R/W | R/W | R/W |

Group 0 non-overlap

| | |
|---|--|
| 0 | Normal TPC output in group 0 Output values change at compare match A in the selected ITU channel |
| 1 | Non-overlapping TPC output in group 0, controlled by compare match A and B in the selected ITU channel |

Group 1 non-overlap

| | |
|---|--|
| 0 | Normal TPC output in group 1 Output values change at compare match A in the selected ITU channel |
| 1 | Non-overlapping TPC output in group 1, controlled by compare match A and B in the selected ITU channel |

Group 2 non-overlap

| | |
|---|--|
| 0 | Normal TPC output in group 2 Output values change at compare match A in the selected ITU channel |
| 1 | Non-overlapping TPC output in group 2, controlled by compare match A and B in the selected ITU channel |

Group 3 non-overlap

| | |
|---|--|
| 0 | Normal TPC output in group 3 Output values change at compare match A in the selected ITU channel |
| 1 | Non-overlapping TPC output in group 3, controlled by compare match A and B in the selected ITU channel |

TPCR—TPC Output Control Register

H'A1

TPC

| Bit | 7 | 6 | 5 | 4 | 3 | 2 | 1 | 0 |
|---------------|--------|--------|--------|--------|--------|--------|--------|--------|
| | G3CMS1 | G3CMS0 | G2CMS1 | G2CMS0 | G1CMS1 | G1CMS0 | G0CMS1 | G0CMS0 |
| Initial value | 1 | 1 | 1 | 1 | 1 | 1 | 1 | 1 |
| Read/Write | R/W | R/W | R/W | R/W | R/W | R/W | R/W | R/W |

Group 0 compare match select 1 and 0

| Bit 1 | Bit 0 | ITU Channel Selected as Output Trigger |
|--------|--------|---|
| G0CMS1 | G0CMS0 | |
| 0 | 0 | TPC output group 0 (TP ₃ to TP ₀) is triggered by compare match in ITU channel 0 |
| | 1 | TPC output group 0 (TP ₃ to TP ₀) is triggered by compare match in ITU channel 1 |
| 1 | 0 | TPC output group 0 (TP ₃ to TP ₀) is triggered by compare match in ITU channel 2 |
| | 1 | TPC output group 0 (TP ₃ to TP ₀) is triggered by compare match in ITU channel 3 |

Group 1 compare match select 1 and 0

| Bit 3 | Bit 2 | ITU Channel Selected as Output Trigger |
|--------|--------|---|
| G1CMS1 | G1CMS0 | |
| 0 | 0 | TPC output group 1 (TP ₇ to TP ₄) is triggered by compare match in ITU channel 0 |
| | 1 | TPC output group 1 (TP ₇ to TP ₄) is triggered by compare match in ITU channel 1 |
| 1 | 0 | TPC output group 1 (TP ₇ to TP ₄) is triggered by compare match in ITU channel 2 |
| | 1 | TPC output group 1 (TP ₇ to TP ₄) is triggered by compare match in ITU channel 3 |

Group 2 compare match select 1 and 0

| Bit 5 | Bit 4 | ITU Channel Selected as Output Trigger |
|--------|--------|--|
| G2CMS1 | G2CMS0 | |
| 0 | 0 | TPC output group 2 (TP ₁₁ to TP ₈) is triggered by compare match in ITU channel 0 |
| | 1 | TPC output group 2 (TP ₁₁ to TP ₈) is triggered by compare match in ITU channel 1 |
| 1 | 0 | TPC output group 2 (TP ₁₁ to TP ₈) is triggered by compare match in ITU channel 2 |
| | 1 | TPC output group 2 (TP ₁₁ to TP ₈) is triggered by compare match in ITU channel 3 |

Group 3 compare match select 1 and 0

| Bit 7 | Bit 6 | ITU Channel Selected as Output Trigger |
|--------|--------|--|
| G3CMS1 | G3CMS0 | |
| 0 | 0 | TPC output group 3 (TP ₁₅ to TP ₁₂)* is triggered by compare match in ITU channel 0 |
| | 1 | TPC output group 3 (TP ₁₅ to TP ₁₂)* is triggered by compare match in ITU channel 1 |
| 1 | 0 | TPC output group 3 (TP ₁₅ to TP ₁₂)* is triggered by compare match in ITU channel 2 |
| | 1 | TPC output group 3 (TP ₁₅ to TP ₁₂)* is triggered by compare match in ITU channel 3 |

Note: * Since this LSI does not have a TP₁₄ pin, the TP₁₄ signal cannot be output off-chip.

NDERB—Next Data Enable Register B**H'A2****TPC**

| | | | | | | | | |
|---------------|--------|--------|--------|--------|--------|--------|-------|-------|
| Bit | 7 | 6 | 5 | 4 | 3 | 2 | 1 | 0 |
| | NDER15 | NDER14 | NDER13 | NDER12 | NDER11 | NDER10 | NDER9 | NDER8 |
| Initial value | 0 | 0 | 0 | 0 | 0 | 0 | 0 | 0 |
| Read/Write | R/W | R/W | R/W | R/W | R/W | R/W | R/W | R/W |

Next data enable 15 to 8

| Bits 7 to 0 | Description |
|-----------------|--|
| NDER15 to NDER8 | |
| 0 | TPC outputs TP ₁₅ to TP ₈ * are disabled (NDR15 to NDR8 are not transferred to PB ₇ to PB ₀) |
| 1 | TPC outputs TP ₁₅ to TP ₈ * are enabled (NDR15 to NDR8 are transferred to PB ₇ to PB ₀) |

Note: * Since this LSI does not have a TP₁₄ pin, the TP₁₄ signal cannot be output off-chip.

NDERA—Next Data Enable Register A**H'A3****TPC**

| | | | | | | | | |
|---------------|-------|-------|-------|-------|-------|-------|-------|-------|
| Bit | 7 | 6 | 5 | 4 | 3 | 2 | 1 | 0 |
| | NDER7 | NDER6 | NDER5 | NDER4 | NDER3 | NDER2 | NDER1 | NDER0 |
| Initial value | 0 | 0 | 0 | 0 | 0 | 0 | 0 | 0 |
| Read/Write | R/W | R/W | R/W | R/W | R/W | R/W | R/W | R/W |

Next data enable 7 to 0

| Bits 7 to 0 | Description |
|----------------|--|
| NDER7 to NDER0 | |
| 0 | TPC outputs TP ₇ to TP ₀ are disabled (NDR7 to NDR0 are not transferred to PA ₇ to PA ₀) |
| 1 | TPC outputs TP ₇ to TP ₀ are enabled (NDR7 to NDR0 are transferred to PA ₇ to PA ₀) |

NDRB—Next Data Register B**H'A4/H'A6****TPC**

- Same output trigger for TPC output groups 2 and 3

Address H'FFA4

| Bit | 7 | 6 | 5 | 4 | 3 | 2 | 1 | 0 |
|---------------|---|-------|-------|-------|--|-------|------|------|
| | NDR15 | NDR14 | NDR13 | NDR12 | NDR11 | NDR10 | NDR9 | NDR8 |
| Initial value | 0 | 0 | 0 | 0 | 0 | 0 | 0 | 0 |
| Read/Write | R/W | R/W | R/W | R/W | R/W | R/W | R/W | R/W |
| | Next output data for TPC output group 3* | | | | Next output data for TPC output group 2 | | | |

Address H'FFA6

| Bit | 7 | 6 | 5 | 4 | 3 | 2 | 1 | 0 |
|---------------|---|---|---|---|---|---|---|---|
| | — | — | — | — | — | — | — | — |
| Initial value | 1 | 1 | 1 | 1 | 1 | 1 | 1 | 1 |
| Read/Write | — | — | — | — | — | — | — | — |

- Different output triggers for TPC output groups 2 and 3

Address H'FFA4

| Bit | 7 | 6 | 5 | 4 | 3 | 2 | 1 | 0 |
|---------------|---|-------|-------|-------|---|---|---|---|
| | NDR15 | NDR14 | NDR13 | NDR12 | — | — | — | — |
| Initial value | 0 | 0 | 0 | 0 | 1 | 1 | 1 | 1 |
| Read/Write | R/W | R/W | R/W | R/W | — | — | — | — |
| | Next output data for TPC output group 3* | | | | | | | |

Address H'FFA6

| Bit | 7 | 6 | 5 | 4 | 3 | 2 | 1 | 0 |
|---------------|---|---|---|---|--|-------|------|------|
| | — | — | — | — | NDR11 | NDR10 | NDR9 | NDR8 |
| Initial value | 1 | 1 | 1 | 1 | 0 | 0 | 0 | 0 |
| Read/Write | — | — | — | — | R/W | R/W | R/W | R/W |
| | | | | | Next output data for TPC output group 2 | | | |

Note: * Since this LSI does not have a TP₁₄ pin, the TP₁₄ signal cannot be output off-chip.

NDR A—Next Data Register A**H'A5/H'A7****TPC**

- Same output trigger for TPC output groups 0 and 1

Address H'FFA5

| | | | | | | | | |
|---------------|--|------|------|------|--|------|------|------|
| Bit | 7 | 6 | 5 | 4 | 3 | 2 | 1 | 0 |
| | NDR7 | NDR6 | NDR5 | NDR4 | NDR3 | NDR2 | NDR1 | NDR0 |
| Initial value | 0 | 0 | 0 | 0 | 0 | 0 | 0 | 0 |
| Read/Write | R/W | R/W | R/W | R/W | R/W | R/W | R/W | R/W |
| | Next output data for TPC output group 1 | | | | Next output data for TPC output group 0 | | | |

Address H'FFA7

| | | | | | | | | |
|---------------|---|---|---|---|---|---|---|---|
| Bit | 7 | 6 | 5 | 4 | 3 | 2 | 1 | 0 |
| | — | — | — | — | — | — | — | — |
| Initial value | 1 | 1 | 1 | 1 | 1 | 1 | 1 | 1 |
| Read/Write | — | — | — | — | — | — | — | — |

- Different output triggers for TPC output groups 0 and 1

Address H'FFA5

| | | | | | | | | |
|---------------|--|------|------|------|---|---|---|---|
| Bit | 7 | 6 | 5 | 4 | 3 | 2 | 1 | 0 |
| | NDR7 | NDR6 | NDR5 | NDR4 | — | — | — | — |
| Initial value | 0 | 0 | 0 | 0 | 1 | 1 | 1 | 1 |
| Read/Write | R/W | R/W | R/W | R/W | — | — | — | — |
| | Next output data for TPC output group 1 | | | | | | | |

Address H'FFA7

| | | | | | | | | |
|---------------|---|---|---|---|--|------|------|------|
| Bit | 7 | 6 | 5 | 4 | 3 | 2 | 1 | 0 |
| | — | — | — | — | NDR3 | NDR2 | NDR1 | NDR0 |
| Initial value | 1 | 1 | 1 | 1 | 0 | 0 | 0 | 0 |
| Read/Write | — | — | — | — | R/W | R/W | R/W | R/W |
| | | | | | Next output data for TPC output group 0 | | | |

TCSR—Timer Control/Status Register

H'A8

WDT

| | | | | | | | | |
|---------------|--------|-------|-----|---|---|------|------|------|
| Bit | 7 | 6 | 5 | 4 | 3 | 2 | 1 | 0 |
| | OVF | WT/IT | TME | — | — | CKS2 | CKS1 | CKS0 |
| Initial value | 0 | 0 | 0 | 1 | 1 | 0 | 0 | 0 |
| Read/Write | R/(W)* | R/W | R/W | — | — | R/W | R/W | R/W |

Clock select 2 to 0

| CKS2 | CKS1 | CKS0 | Description |
|------|------|------|-------------|
| 0 | 0 | 0 | $\phi/2$ |
| | | 1 | $\phi/32$ |
| | 1 | 0 | $\phi/64$ |
| | | 1 | $\phi/128$ |
| 1 | 0 | 0 | $\phi/256$ |
| | | 1 | $\phi/512$ |
| | | 1 | $\phi/2048$ |
| | 1 | 0 | $\phi/4096$ |
| | | 1 | |
| | | 1 | |

Timer enable

| | |
|---|--|
| 0 | TCNT is initialized to H'00 and halted |
| 1 | TCNT is counting |

Timer mode select

| | |
|---|--|
| 0 | Interval timer: requests interval timer interrupts |
| 1 | Watchdog timer: generates a reset signal |

Overflow flag

| | |
|---|--|
| 0 | [Clearing condition] Read OVF when OVF = 1, then write 0 in OVF |
| 1 | [Setting condition] TCNT changes from H'FF to H'00 |

Note: * Only 0 can be written to clear the flag.

TCNT—Timer Counter**H'A9 (read),
H'A8 (write)****WDT**

| | | | | | | | | |
|---------------|-----|-----|-----|-----|-----|-----|-----|-----|
| Bit | 7 | 6 | 5 | 4 | 3 | 2 | 1 | 0 |
| Initial value | 0 | 0 | 0 | 0 | 0 | 0 | 0 | 0 |
| Read/Write | R/W | R/W | R/W | R/W | R/W | R/W | R/W | R/W |

|
Count value

RSTCSR—Reset Control/Status Register**H'AB (read),
H'AA (write)****WDT**

| | | | | | | | | |
|---------------|--------|-----|---|---|---|---|---|---|
| Bit | 7 | 6 | 5 | 4 | 3 | 2 | 1 | 0 |
| Initial value | 0 | 0 | 1 | 1 | 1 | 1 | 1 | 1 |
| Read/Write | R/(W)* | R/W | — | — | — | — | — | — |

Reset output enable

| | |
|---|---------------------------------------|
| 0 | Reset signal is not output externally |
| 1 | Reset signal is output externally |

Watchdog timer reset

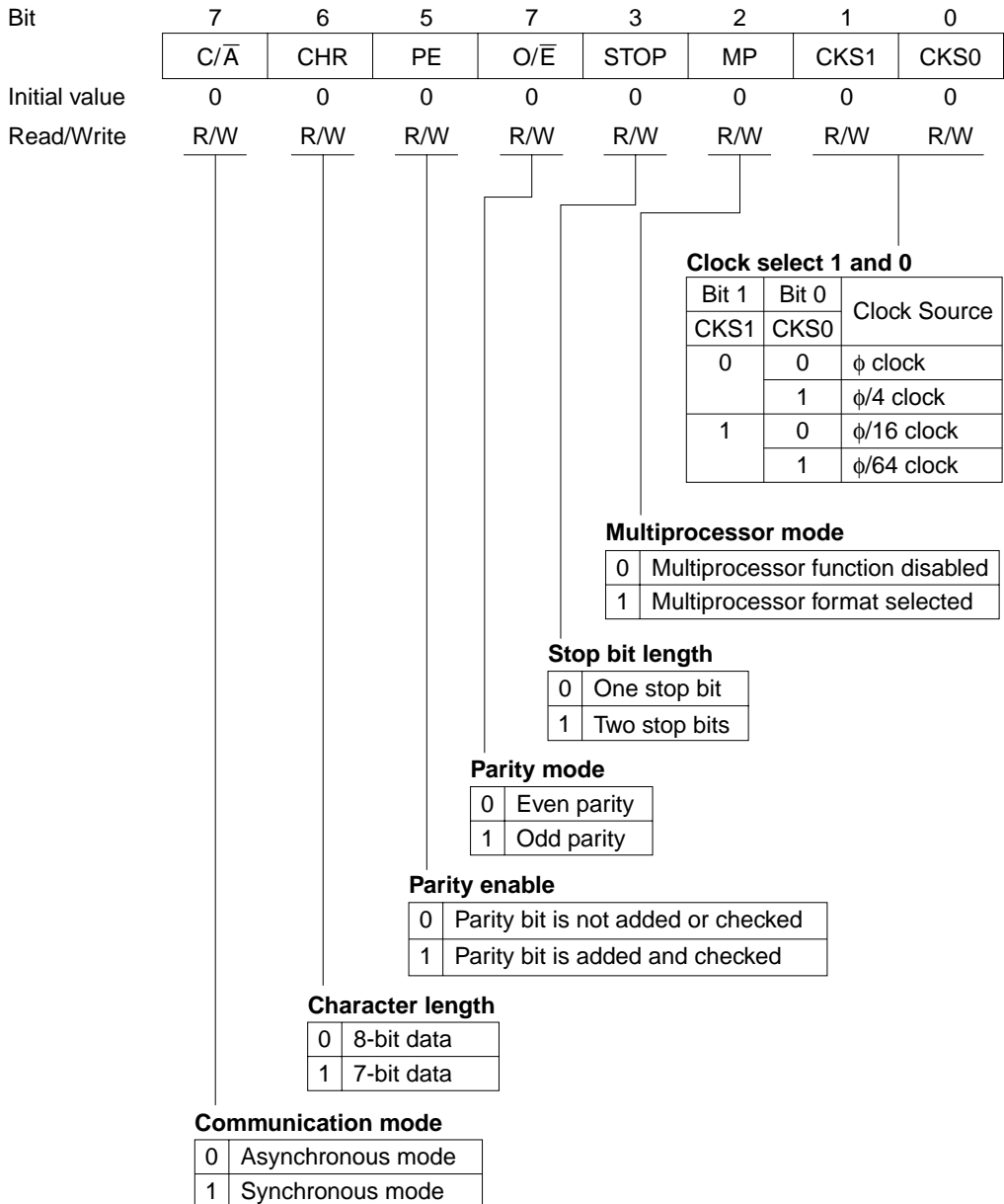
| | |
|---|---|
| 0 | [Clearing condition] Reset signal input at $\overline{\text{RES}}$ pin, or 0 written by software |
| 1 | [Setting condition] TCNT overflow generates a reset signal |

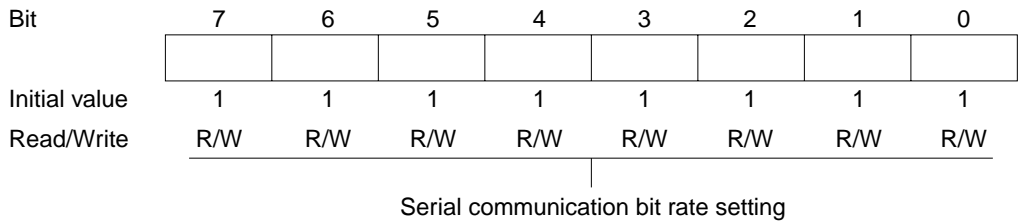
Note: * Only 0 can be written in bit 7 to clear the flag.

SMR—Serial Mode Register

H'B0

SCIO



BRR—Bit Rate Register**H'B1****SCI0**

SCR—Serial Control Register

H'B2

SCIO

| Bit | 7 | 6 | 5 | 4 | 3 | 2 | 1 | 0 |
|---------------|-----|-----|-----|-----|------|------|------|------|
| | TIE | RIE | TE | RE | MPIE | TEIE | CKE1 | CKE0 |
| Initial value | 0 | 0 | 0 | 0 | 0 | 0 | 0 | 0 |
| Read/Write | R/W | R/W | R/W | R/W | R/W | R/W | R/W | R/W |

Clock enable 1 and 0

| Bit 1 | Bit 2 | Clock Selection and Output | |
|-------|-------|----------------------------|--|
| CKE1 | CKE2 | | |
| 0 | 0 | Asynchronous mode | Internal clock, SCK pin available for generic input/output |
| | | Synchronous mode | Internal clock, SCK pin used for serial clock output |
| | 1 | Asynchronous mode | Internal clock, SCK pin used for clock output |
| | | Synchronous mode | Internal clock, SCK pin used for serial clock output |
| 1 | 0 | Asynchronous mode | External clock, SCK pin used for clock input |
| | | Synchronous mode | External clock, SCK pin used for serial clock input |
| | 1 | Asynchronous mode | External clock, SCK pin used for clock input |
| | | Synchronous mode | External clock, SCK pin used for serial clock input |

Transmit-end interrupt enable

| | |
|---|--|
| 0 | Transmit-end interrupt requests (TEI) are disabled |
| 1 | Transmit-end interrupt requests (TEI) are enabled |

Multiprocessor interrupt enable

| | |
|---|---|
| 0 | Multiprocessor interrupts are disabled (normal receive operation) |
| 1 | Multiprocessor interrupts are enabled |

Transmit enable

| | |
|---|--------------------------|
| 0 | Transmitting is disabled |
| 1 | Transmitting is enabled |

Receive enable

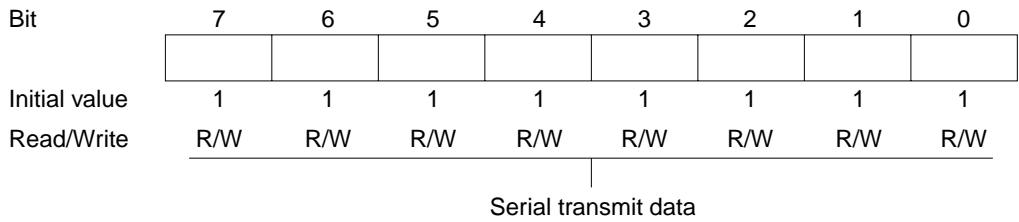
| | |
|---|-----------------------|
| 0 | Receiving is disabled |
| 1 | Receiving is enabled |

Receive interrupt enable

| | |
|---|---|
| 0 | Receive-data-full (RXI) and receive-error (ERI) interrupt requests are disabled |
| 1 | Receive-data-full (RXI) and receive-error (ERI) interrupt requests are enabled |

Transmit interrupt enable

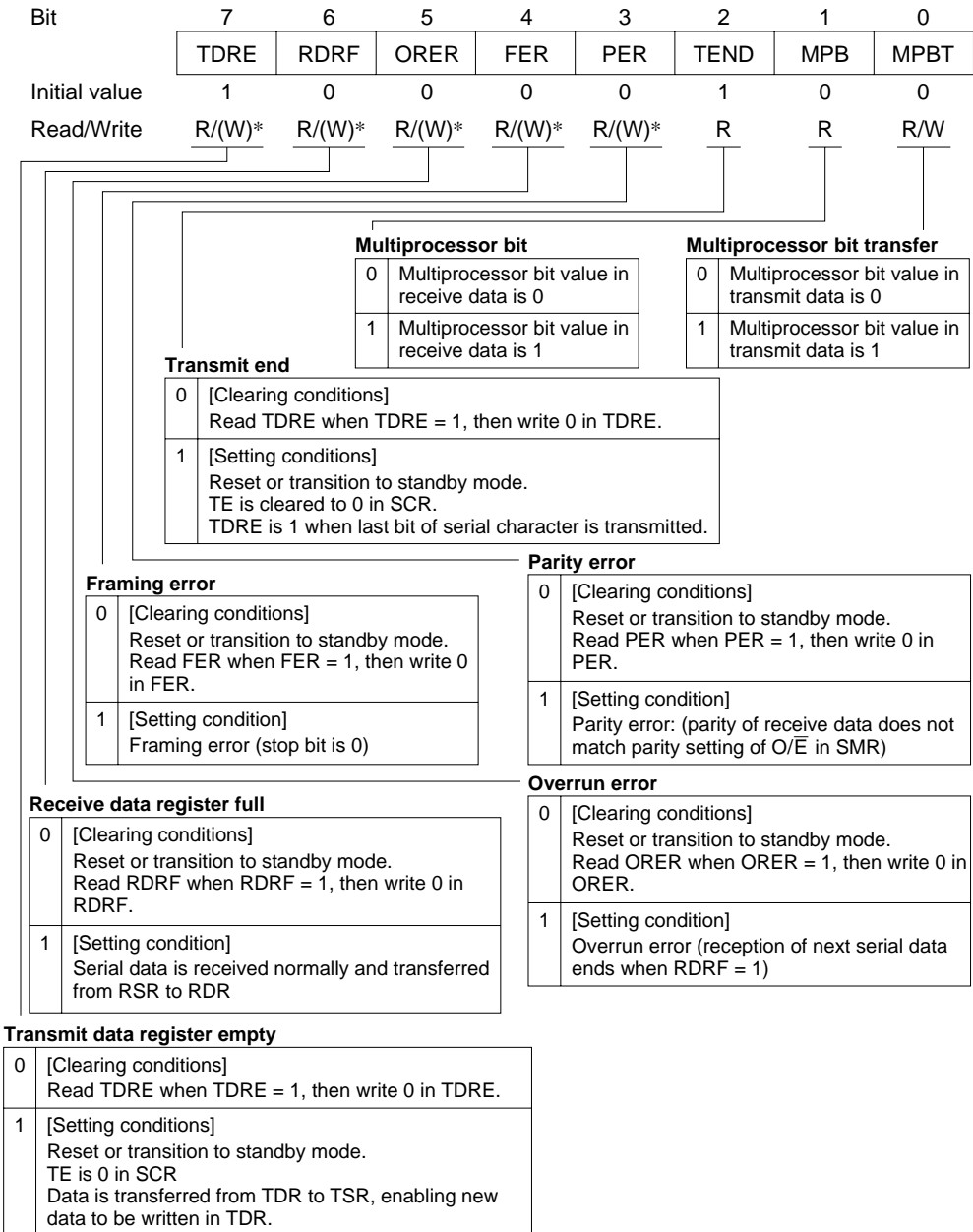
| | |
|---|---|
| 0 | Transmit-data-empty interrupt request (TXI) is disabled |
| 1 | Transmit-data-empty interrupt request (TXI) is enabled |

TDR—Transmit Data Register**H'B3****SCI0**

SSR—Serial Status Register

H'B4

SCIO



Note: * Only 0 can be written to clear the flag.

RDR—Receive Data Register**H'B5****SCIO**

| Bit | 7 | 6 | 5 | 4 | 3 | 2 | 1 | 0 |
|---------------|---|---|---|---|---|---|---|---|
| Initial value | 0 | 0 | 0 | 0 | 0 | 0 | 0 | 0 |
| Read/Write | R | R | R | R | R | R | R | R |

Serial receive data

SCMR—Smart Card Mode Register**H'B6****SCIO**

| Bit | 7 | 6 | 5 | 4 | 3 | 2 | 1 | 0 |
|---------------|---|---|---|---|------|------|---|------|
| Initial value | — | — | — | — | SDIR | SINV | — | SMIF |
| Read/Write | — | — | — | — | R/W | R/W | — | R/W |

Smart card interface mode select

| | |
|---|---|
| 0 | Smart card interface function is disabled |
| 1 | Smart card interface function is enabled |

Smart card data invert

| | |
|---|---|
| 0 | Unmodified TDR contents are transmitted Received data is stored unmodified in RDR |
| 1 | Inverted 1/0 logic levels of TDR contents are transmitted 1/0 logic levels of received data are inverted before storage in RDR |

Smart card data transfer direction

| | |
|---|--|
| 0 | TDR contents are transmitted LSB-first Received data is stored LSB-first in RDR |
| 1 | TDR contents are transmitted MSB-first Received data is stored MSB-first in RDR |

SMR—Serial Mode Register**H'B8****SCI1**

| Bit | 7 | 6 | 5 | 7 | 3 | 2 | 1 | 0 |
|---------------|--------------|-----|-----|--------------|------|-----|------|------|
| | C/ \bar{A} | CHR | PE | O/ \bar{E} | STOP | MP | CKS1 | CKS0 |
| Initial value | 0 | 0 | 0 | 0 | 0 | 0 | 0 | 0 |
| Read/Write | R/W | R/W | R/W | R/W | R/W | R/W | R/W | R/W |

Note: Bit functions are the same as for SCI0.

BRR—Bit Rate Register**H'B9****SCI1**

| Bit | 7 | 6 | 5 | 4 | 3 | 2 | 1 | 0 |
|---------------|-----|-----|-----|-----|-----|-----|-----|-----|
| | | | | | | | | |
| Initial value | 1 | 1 | 1 | 1 | 1 | 1 | 1 | 1 |
| Read/Write | R/W | R/W | R/W | R/W | R/W | R/W | R/W | R/W |

Note: Bit functions are the same as for SCI0.

SCR—Serial Control Register**H'BA****SCI1**

| Bit | 7 | 6 | 5 | 4 | 3 | 2 | 1 | 0 |
|---------------|-----|-----|-----|-----|------|------|------|------|
| | TIE | RIE | TE | RE | MPIE | TEIE | CKE1 | CKE0 |
| Initial value | 0 | 0 | 0 | 0 | 0 | 0 | 0 | 0 |
| Read/Write | R/W | R/W | R/W | R/W | R/W | R/W | R/W | R/W |

Note: Bit functions are the same as for SCI0.

TDR—Transmit Data Register**H'BB****SCI1**

| Bit | 7 | 6 | 5 | 4 | 3 | 2 | 1 | 0 |
|---------------|-----|-----|-----|-----|-----|-----|-----|-----|
| | | | | | | | | |
| Initial value | 1 | 1 | 1 | 1 | 1 | 1 | 1 | 1 |
| Read/Write | R/W | R/W | R/W | R/W | R/W | R/W | R/W | R/W |

Note: Bit functions are the same as for SCI0.

SSR—Serial Status Register**H'BC****SCI1**

| Bit | 7 | 6 | 5 | 4 | 3 | 2 | 1 | 0 |
|---------------|--------|--------|--------|--------|--------|------|-----|------|
| | TDRE | RDRF | ORER | FER | PER | TEND | MPB | MPBT |
| Initial value | 1 | 0 | 0 | 0 | 0 | 1 | 0 | 0 |
| Read/Write | R/(W)* | R/(W)* | R/(W)* | R/(W)* | R/(W)* | R | R | R/W |

Notes: Bit functions are the same as for SCI0.

* Only 0 can be written to clear the flag.

RDR—Receive Data Register**H'BD****SCI1**

| Bit | 7 | 6 | 5 | 4 | 3 | 2 | 1 | 0 |
|---------------|---|---|---|---|---|---|---|---|
| | | | | | | | | |
| Initial value | 0 | 0 | 0 | 0 | 0 | 0 | 0 | 0 |
| Read/Write | R | R | R | R | R | R | R | R |

Note: Bit functions are the same as for SCI0.

P1DDR—Port 1 Data Direction Register**H'C0****Port 1**

| Bit | 7 | 6 | 5 | 4 | 3 | 2 | 1 | 0 |
|------------------|---------------------|---------------------|---------------------|---------------------|---------------------|---------------------|---------------------|---------------------|
| | P1 ₇ DDR | P1 ₆ DDR | P1 ₅ DDR | P1 ₄ DDR | P1 ₃ DDR | P1 ₂ DDR | P1 ₁ DDR | P1 ₀ DDR |
| Modes 1 and 3 | Initial value | 1 | 1 | 1 | 1 | 1 | 1 | 1 |
| | Read/Write | — | — | — | — | — | — | — |
| Modes 5 to 7 | Initial value | 0 | 0 | 0 | 0 | 0 | 0 | 0 |
| | Read/Write | W | W | W | W | W | W | W |

Port 1 input/output select

| | |
|---|--------------------|
| 0 | Generic input pin |
| 1 | Generic output pin |

P2DDR—Port 2 Data Direction Register**H'C1****Port 2**

| Bit | | 7 | 6 | 5 | 4 | 3 | 2 | 1 | 0 |
|------------------|---------------|---------------------|---------------------|---------------------|---------------------|---------------------|---------------------|---------------------|---------------------|
| | | P2 ₇ DDR | P2 ₆ DDR | P2 ₅ DDR | P2 ₄ DDR | P2 ₃ DDR | P2 ₂ DDR | P2 ₁ DDR | P2 ₀ DDR |
| Modes 1 and 3 | Initial value | 1 | 1 | 1 | 1 | 1 | 1 | 1 | 1 |
| | Read/Write | — | — | — | — | — | — | — | — |
| Modes 5 to 7 | Initial value | 0 | 0 | 0 | 0 | 0 | 0 | 0 | 0 |
| | Read/Write | W | W | W | W | W | W | W | W |

Port 2 input/output select

| | |
|---|--------------------|
| 0 | Generic input pin |
| 1 | Generic output pin |

P1DR—Port 1 Data Register**H'C2****Port 1**

| Bit | | 7 | 6 | 5 | 4 | 3 | 2 | 1 | 0 |
|---------------|--|-----------------|-----------------|-----------------|-----------------|-----------------|-----------------|-----------------|-----------------|
| | | P1 ₇ | P1 ₆ | P1 ₅ | P1 ₄ | P1 ₃ | P1 ₂ | P1 ₁ | P1 ₀ |
| Initial value | | 0 | 0 | 0 | 0 | 0 | 0 | 0 | 0 |
| Read/Write | | R/W | R/W | R/W | R/W | R/W | R/W | R/W | R/W |

Data for port 1 pins

P2DR—Port 2 Data Register**H'C3****Port 2**

| Bit | | 7 | 6 | 5 | 4 | 3 | 2 | 1 | 0 |
|---------------|--|-----------------|-----------------|-----------------|-----------------|-----------------|-----------------|-----------------|-----------------|
| | | P2 ₇ | P2 ₆ | P2 ₅ | P2 ₄ | P2 ₃ | P2 ₂ | P2 ₁ | P2 ₀ |
| Initial value | | 0 | 0 | 0 | 0 | 0 | 0 | 0 | 0 |
| Read/Write | | R/W | R/W | R/W | R/W | R/W | R/W | R/W | R/W |

Data for port 2 pins

P3DDR—Port 3 Data Direction Register**H'C4****Port 3**

| Bit | 7 | 6 | 5 | 4 | 3 | 2 | 1 | 0 |
|---------------|---------------------|---------------------|---------------------|---------------------|---------------------|---------------------|---------------------|---------------------|
| | P3 ₇ DDR | P3 ₆ DDR | P3 ₅ DDR | P3 ₄ DDR | P3 ₃ DDR | P3 ₂ DDR | P3 ₁ DDR | P3 ₀ DDR |
| Initial value | 0 | 0 | 0 | 0 | 0 | 0 | 0 | 0 |
| Read/Write | W | W | W | W | W | W | W | W |

Port 3 input/output select

| | |
|---|--------------------|
| 0 | Generic input pin |
| 1 | Generic output pin |

P3DR—Port 3 Data Register**H'C6****Port 3**

| Bit | 7 | 6 | 5 | 4 | 3 | 2 | 1 | 0 |
|---------------|-----------------|-----------------|-----------------|-----------------|-----------------|-----------------|-----------------|-----------------|
| | P3 ₇ | P3 ₆ | P3 ₅ | P3 ₄ | P3 ₃ | P3 ₂ | P3 ₁ | P3 ₀ |
| Initial value | 0 | 0 | 0 | 0 | 0 | 0 | 0 | 0 |
| Read/Write | R/W | R/W | R/W | R/W | R/W | R/W | R/W | R/W |

Data for port 3 pins

P5DDR—Port 5 Data Direction Register**H'C8****Port 5**

| Bit | 7 | 6 | 5 | 4 | 3 | 2 | 1 | 0 |
|------------------|---------------|---|---|---|---|---------------------|---------------------|---------------------|
| | | — | — | — | — | P5 ₃ DDR | P5 ₂ DDR | P5 ₁ DDR |
| Modes 1 and 3 | Initial value | 1 | 1 | 1 | 1 | 1 | 1 | 1 |
| | Read/Write | — | — | — | — | — | — | — |
| Modes 5 to 7 | Initial value | 1 | 1 | 1 | 0 | 0 | 0 | 0 |
| | Read/Write | — | — | — | — | W | W | W |

Port 5 input/output select

| | |
|---|----------------|
| 0 | Generic input |
| 1 | Generic output |

P6DDR—Port 6 Data Direction Register**H'C9****Port 6**

| Bit | 7 | 6 | 5 | 4 | 3 | 2 | 1 | 0 |
|---------------|---|---|---------------------|---------------------|---------------------|---|---|---------------------|
| | — | — | P6 ₅ DDR | P6 ₄ DDR | P6 ₃ DDR | — | — | P6 ₀ DDR |
| Initial value | 1 | 0 | 0 | 0 | 0 | 0 | 0 | 0 |
| Read/Write | — | W | W | W | W | W | W | W |

Port 6 input/output select

| | |
|---|----------------|
| 0 | Generic input |
| 1 | Generic output |

P5DR—Port 5 Data Register**H'CA****Port 5**

| Bit | 7 | 6 | 5 | 4 | 3 | 2 | 1 | 0 |
|---------------|---|---|---|---|-----------------|-----------------|-----------------|-----------------|
| | — | — | — | — | P5 ₃ | P5 ₂ | P5 ₁ | P5 ₀ |
| Initial value | 1 | 1 | 1 | 1 | 0 | 0 | 0 | 0 |
| Read/Write | — | — | — | — | R/W | R/W | R/W | R/W |

Data for port 5 pins

P6DR—Port 6 Data Register**H'CB****Port 6**

| Bit | 7 | 6 | 5 | 4 | 3 | 2 | 1 | 0 |
|---------------|---|-----|-----------------|-----------------|-----------------|-----|-----|-----------------|
| | — | — | P6 ₅ | P6 ₄ | P6 ₃ | — | — | P6 ₀ |
| Initial value | 1 | 0 | 0 | 0 | 0 | 0 | 0 | 0 |
| Read/Write | — | R/W | R/W | R/W | R/W | R/W | R/W | R/W |

Data for port 6 pins

P8DDR—Port 8 Data Direction Register**H'CD****Port 8**

| Bit | 7 | 6 | 5 | 4 | 3 | 2 | 1 | 0 |
|---------------|---|---|---|---|---|---|---------------------|---------------------|
| | — | — | — | — | — | — | P8 ₁ DDR | P8 ₀ DDR |
| Initial value | 1 | 1 | 1 | 0 | 0 | 0 | 0 | 0 |
| Read/Write | — | — | — | W | W | W | W | W |

Port 8 input/output select

| | |
|---|----------------|
| 0 | Generic input |
| 1 | Generic output |

P7DR—Port 7 Data Register**H'CE****Port 7**

| Bit | 7 | 6 | 5 | 4 | 3 | 2 | 1 | 0 |
|---------------|-----------------|-----------------|-----------------|-----------------|-----------------|-----------------|-----------------|-----------------|
| | P7 ₇ | P7 ₆ | P7 ₅ | P7 ₄ | P7 ₃ | P7 ₂ | P7 ₁ | P7 ₀ |
| Initial value | —* | —* | —* | —* | —* | —* | —* | —* |
| Read/Write | R | R | R | R | R | R | R | R |

Data for port 7 pins

Note: * Determined by pins P7₇ to P7₀.**P8DR—Port 8 Data Register****H'CF****Port 8**

| Bit | 7 | 6 | 5 | 4 | 3 | 2 | 1 | 0 |
|---------------|---|---|---|-----|-----|-----|-----------------|-----------------|
| | — | — | — | — | — | — | P8 ₁ | P8 ₀ |
| Initial value | 1 | 1 | 1 | 0 | 0 | 0 | 0 | 0 |
| Read/Write | — | — | — | R/W | R/W | R/W | R/W | R/W |

Data for port 8 pins

P9DDR—Port 9 Data Direction Register**H'D0****Port 9**

| Bit | 7 | 6 | 5 | 4 | 3 | 2 | 1 | 0 |
|---------------|---|---|---------------------|---------------------|---------------------|---------------------|---------------------|---------------------|
| | — | — | P9 ₅ DDR | P9 ₄ DDR | P9 ₃ DDR | P9 ₂ DDR | P9 ₁ DDR | P9 ₀ DDR |
| Initial value | 1 | 1 | 0 | 0 | 0 | 0 | 0 | 0 |
| Read/Write | — | — | W | W | W | W | W | W |

Port 9 input/output select

| | |
|---|----------------|
| 0 | Generic input |
| 1 | Generic output |

PADDR—Port A Data Direction Register**H'D1****Port A**

| Bit | 7 | 6 | 5 | 4 | 3 | 2 | 1 | 0 |
|--------------------|---------------------|---------------------|---------------------|---------------------|---------------------|---------------------|---------------------|---------------------|
| | PA ₇ DDR | PA ₆ DDR | PA ₅ DDR | PA ₄ DDR | PA ₃ DDR | PA ₂ DDR | PA ₁ DDR | PA ₀ DDR |
| Mode 3 | Initial value | 1 | 0 | 0 | 0 | 0 | 0 | 0 |
| | Read/Write | — | W | W | W | W | W | W |
| Modes 1 and 5 to 7 | Initial value | 0 | 0 | 0 | 0 | 0 | 0 | 0 |
| | Read/Write | W | W | W | W | W | W | W |

Port A input/output select

| | |
|---|----------------|
| 0 | Generic input |
| 1 | Generic output |

P9DR—Port 9 Data Register**H'D2****Port 9**

| Bit | 7 | 6 | 5 | 4 | 3 | 2 | 1 | 0 |
|---------------|---|---|-----------------|-----------------|-----------------|-----------------|-----------------|-----------------|
| | — | — | P9 ₅ | P9 ₄ | P9 ₃ | P9 ₂ | P9 ₁ | P9 ₀ |
| Initial value | 1 | 1 | 0 | 0 | 0 | 0 | 0 | 0 |
| Read/Write | — | — | R/W | R/W | R/W | R/W | R/W | R/W |

Data for port 9 pins

PADR—Port A Data Register**H'D3****Port A**

| Bit | 7 | 6 | 5 | 4 | 3 | 2 | 1 | 0 |
|---------------|-----------------|-----------------|-----------------|-----------------|-----------------|-----------------|-----------------|-----------------|
| | PA ₇ | PA ₆ | PA ₅ | PA ₄ | PA ₃ | PA ₂ | PA ₁ | PA ₀ |
| Initial value | 0 | 0 | 0 | 0 | 0 | 0 | 0 | 0 |
| Read/Write | R/W | R/W | R/W | R/W | R/W | R/W | R/W | R/W |

Data for port A pins

PBDDR—Port B Data Direction Register**H'D4****Port B**

| Bit | 7 | 6 | 5 | 4 | 3 | 2 | 1 | 0 |
|---------------|---------------------|---|---------------------|---------------------|---------------------|---------------------|---------------------|---------------------|
| | PB ₇ DDR | — | PB ₅ DDR | PB ₄ DDR | PB ₃ DDR | PB ₂ DDR | PB ₁ DDR | PB ₀ DDR |
| Initial value | 0 | 0 | 0 | 0 | 0 | 0 | 0 | 0 |
| Read/Write | W | W | W | W | W | W | W | W |

Port B input/output select

| | |
|---|----------------|
| 0 | Generic input |
| 1 | Generic output |

PBDR—Port B Data Register**H'D6****Port B**

| Bit | 7 | 6 | 5 | 4 | 3 | 2 | 1 | 0 |
|---------------|-----------------|-----|-----------------|-----------------|-----------------|-----------------|-----------------|-----------------|
| | PB ₇ | — | PB ₅ | PB ₄ | PB ₃ | PB ₂ | PB ₁ | PB ₀ |
| Initial value | 0 | 0 | 0 | 0 | 0 | 0 | 0 | 0 |
| Read/Write | R/W | R/W | R/W | R/W | R/W | R/W | R/W | R/W |

Data for port B pins

P2PCR—Port 2 Input Pull-Up Control Register**H'D8****Port 2**

| Bit | 7 | 6 | 5 | 4 | 3 | 2 | 1 | 0 |
|---------------|---------------------|---------------------|---------------------|---------------------|---------------------|---------------------|---------------------|---------------------|
| | P2 ₇ PCR | P2 ₆ PCR | P2 ₅ PCR | P2 ₄ PCR | P2 ₃ PCR | P2 ₂ PCR | P2 ₁ PCR | P2 ₀ PCR |
| Initial value | 0 | 0 | 0 | 0 | 0 | 0 | 0 | 0 |
| Read/Write | R/W | R/W | R/W | R/W | R/W | R/W | R/W | R/W |

Port 2 input pull-up control 7 to 0

| | |
|---|---------------------------------|
| 0 | Input pull-up transistor is off |
| 1 | Input pull-up transistor is on |

Note: Valid when the corresponding P2DDR bit is cleared to 0 (designating generic input).

P5PCR—Port 5 Input Pull-Up Control Register**H'DB****Port 5**

| Bit | 7 | 6 | 5 | 4 | 3 | 2 | 1 | 0 |
|---------------|---|---|---|---|---------------------|---------------------|---------------------|---------------------|
| | — | — | — | — | P5 ₃ PCR | P5 ₂ PCR | P5 ₁ PCR | P5 ₀ PCR |
| Initial value | 1 | 1 | 1 | 1 | 0 | 0 | 0 | 0 |
| Read/Write | — | — | — | — | R/W | R/W | R/W | R/W |

Port 5 input pull-up control 3 to 0

| | |
|---|---------------------------------|
| 0 | Input pull-up transistor is off |
| 1 | Input pull-up transistor is on |

Note: Valid when the corresponding P5DDR bit is cleared to 0 (designating generic input).

ADDRA H/L—A/D Data Register A H/L**H'E0, H'E1****A/D**

| Bit | 15 | 14 | 13 | 12 | 11 | 10 | 9 | 8 | 7 | 6 | 5 | 4 | 3 | 2 | 1 | 0 |
|---------------|-----|-----|-----|-----|-----|-----|-----|-----|-----|-----|---|---|---|---|---|---|
| | AD9 | AD8 | AD7 | AD6 | AD5 | AD4 | AD3 | AD2 | AD1 | AD0 | — | — | — | — | — | — |
| Initial value | 0 | 0 | 0 | 0 | 0 | 0 | 0 | 0 | 0 | 0 | 0 | 0 | 0 | 0 | 0 | 0 |
| Read/Write | R | R | R | R | R | R | R | R | R | R | R | R | R | R | R | R |

ADDRAH

ADDRAL

A/D conversion data
10-bit data giving an
A/D conversion result

ADDRB H/L—A/D Data Register B H/L**H'E2, H'E3****A/D**

| | | | | | | | | | | | | | | | | |
|---------------|--|-----|-----|-----|-----|-----|-----|-----|--------|-----|---|---|---|---|---|---|
| Bit | 15 | 14 | 13 | 12 | 11 | 10 | 9 | 8 | 7 | 6 | 5 | 4 | 3 | 2 | 1 | 0 |
| | AD9 | AD8 | AD7 | AD6 | AD5 | AD4 | AD3 | AD2 | AD1 | AD0 | — | — | — | — | — | — |
| Initial value | 0 | 0 | 0 | 0 | 0 | 0 | 0 | 0 | 0 | 0 | 0 | 0 | 0 | 0 | 0 | 0 |
| Read/Write | R | R | R | R | R | R | R | R | R | R | R | R | R | R | R | R |
| | ADDRBH | | | | | | | | ADDRBL | | | | | | | |
| | A/D conversion data 10-bit data giving an A/D conversion result | | | | | | | | | | | | | | | |

ADDRC H/L—A/D Data Register C H/L**H'E4, H'E5****A/D**

| | | | | | | | | | | | | | | | | |
|---------------|--|-----|-----|-----|-----|-----|-----|-----|--------|-----|---|---|---|---|---|---|
| Bit | 15 | 14 | 13 | 12 | 11 | 10 | 9 | 8 | 7 | 6 | 5 | 4 | 3 | 2 | 1 | 0 |
| | AD9 | AD8 | AD7 | AD6 | AD5 | AD4 | AD3 | AD2 | AD1 | AD0 | — | — | — | — | — | — |
| Initial value | 0 | 0 | 0 | 0 | 0 | 0 | 0 | 0 | 0 | 0 | 0 | 0 | 0 | 0 | 0 | 0 |
| Read/Write | R | R | R | R | R | R | R | R | R | R | R | R | R | R | R | R |
| | ADDRCH | | | | | | | | ADDRCL | | | | | | | |
| | A/D conversion data 10-bit data giving an A/D conversion result | | | | | | | | | | | | | | | |

ADDRD H/L—A/D Data Register D H/L**H'E6, H'E7****A/D**

| | | | | | | | | | | | | | | | | |
|---------------|--|-----|-----|-----|-----|-----|-----|-----|--------|-----|---|---|---|---|---|---|
| Bit | 15 | 14 | 13 | 12 | 11 | 10 | 9 | 8 | 7 | 6 | 5 | 4 | 3 | 2 | 1 | 0 |
| | AD9 | AD8 | AD7 | AD6 | AD5 | AD4 | AD3 | AD2 | AD1 | AD0 | — | — | — | — | — | — |
| Initial value | 0 | 0 | 0 | 0 | 0 | 0 | 0 | 0 | 0 | 0 | 0 | 0 | 0 | 0 | 0 | 0 |
| Read/Write | R | R | R | R | R | R | R | R | R | R | R | R | R | R | R | R |
| | ADDRDH | | | | | | | | ADDRDL | | | | | | | |
| | A/D conversion data 10-bit data giving an A/D conversion result | | | | | | | | | | | | | | | |

ADCR—A/D Control Register

H'E9

A/D

| Bit | 7 | 6 | 5 | 4 | 3 | 2 | 1 | 0 |
|---------------|-----|---|---|---|---|---|---|---|
| TRGE | — | — | — | — | — | — | — | — |
| Initial value | 0 | 1 | 1 | 1 | 1 | 1 | 1 | 1 |
| Read/Write | R/W | — | — | — | — | — | — | — |

Trigger enable

| | |
|---|--|
| 0 | A/D conversion cannot be externally triggered |
| 1 | A/D conversion starts at the fall of the external trigger signal ($\overline{\text{ADTRG}}$) |

ADCSR—A/D Control/Status Register

H'E8

A/D

| | | | | | | | | |
|---------------|--------|------|------|------|-----|-----|-----|-----|
| Bit | 7 | 6 | 5 | 4 | 3 | 2 | 1 | 0 |
| | ADF | ADIE | ADST | SCAN | CKS | CH2 | CH1 | CH0 |
| Initial value | 0 | 0 | 0 | 0 | 0 | 0 | 0 | 0 |
| Read/Write | R/(W)* | R/W | R/W | R/W | R/W | R/W | R/W | R/W |

Clock select

| | |
|---|--|
| 0 | Conversion time = 266 states (maximum) |
| 1 | Conversion time = 134 states (maximum) |

Channel select 2 to 0

| Group Selection | Channel Selection | | Description | |
|-----------------|-------------------|-----|-----------------|------------------------------------|
| CH2 | CH1 | CH0 | Single Mode | Scan Mode |
| 0 | 0 | 0 | AN ₀ | AN ₀ |
| | | 1 | AN ₁ | AN ₀ , AN ₁ |
| | 1 | 0 | AN ₂ | AN ₀ to AN ₂ |
| | | 1 | AN ₃ | AN ₀ to AN ₃ |
| 1 | 0 | 0 | AN ₄ | AN ₄ |
| | | 1 | AN ₅ | AN ₄ , AN ₅ |
| | 1 | 0 | AN ₆ | AN ₄ to AN ₆ |
| | | 1 | AN ₇ | AN ₄ to AN ₇ |

Scan mode

| | |
|---|-------------|
| 0 | Single mode |
| 1 | Scan mode |

A/D start

| | |
|---|--|
| 0 | A/D conversion is stopped |
| 1 | Single mode: A/D conversion starts; ADST is automatically cleared to 0 when conversion ends Scan mode: A/D conversion starts and continues, cycling among the selected channels, until ADST is cleared to 0 by software, by a reset, or by a transition to standby mode |

A/D interrupt enable

| | |
|---|---------------------------------------|
| 0 | A/D end interrupt request is disabled |
| 1 | A/D end interrupt request is enabled |

A/D end flag

| | |
|---|---|
| 0 | [Clearing condition] Read ADF while ADF = 1, then write 0 in ADF |
| 1 | [Setting conditions] Single mode: A/D conversion ends Scan mode: A/D conversion ends in all selected channels |

Note: * Only 0 can be written to clear flag.

ASTCR—Access State Control Register**H'ED****Bus controller**

| Bit | 7 | 6 | 5 | 4 | 3 | 2 | 1 | 0 |
|---------------|------|------|------|------|------|------|------|------|
| | AST7 | AST6 | AST5 | AST4 | AST3 | AST2 | AST1 | AST0 |
| Initial value | 1 | 1 | 1 | 1 | 1 | 1 | 1 | 1 |
| Read/Write | R/W | R/W | R/W | R/W | R/W | R/W | R/W | R/W |

Area 7 to 0 access state control

| Bits 7 to 0 AST7 to AST0 | Number of States in Access Cycle |
|-----------------------------|---|
| 0 | Areas 7 to 0 are two-state access areas |
| 1 | Areas 7 to 0 are three-state access areas |

WCR—Wait Control Register**H'EE****Bus controller**

| Bit | 7 | 6 | 5 | 4 | 3 | 2 | 1 | 0 |
|---------------|---|---|---|---|------|------|-----|-----|
| | — | — | — | — | WMS1 | WMS0 | WC1 | WC0 |
| Initial value | 1 | 1 | 1 | 1 | 0 | 0 | 1 | 1 |
| Read/Write | — | — | — | — | R/W | R/W | R/W | R/W |

Wait mode select 1 and 0

| Bit 3 WMS1 | Bit 2 WMS0 | Wait Mode |
|---------------|---------------|--|
| 0 | 0 | Programmable wait mode |
| | 1 | No wait states inserted by wait-state controller |
| 1 | 0 | Pin wait mode 1 |
| | 1 | Pin auto-wait mode |

Wait count 1 and 0

| Bit 1 WC1 | Bit 0 WC0 | Number of Wait States |
|--------------|--------------|--|
| 0 | 0 | No wait states inserted by wait-state controller |
| | 1 | 1 state inserted |
| 1 | 0 | 2 states inserted |
| | 1 | 3 states inserted |

WCER—Wait Controller Enable Register**H'EF****Bus controller**

| | | | | | | | | |
|---------------|------|------|------|------|------|------|------|------|
| Bit | 7 | 6 | 5 | 4 | 3 | 2 | 1 | 0 |
| | WCE7 | WCE6 | WCE5 | WCE4 | WCE3 | WCE2 | WCE1 | WCE0 |
| Initial value | 1 | 1 | 1 | 1 | 1 | 1 | 1 | 1 |
| Read/Write | R/W | R/W | R/W | R/W | R/W | R/W | R/W | R/W |

Wait state controller enable 7 to 0

| | |
|---|--|
| 0 | Wait-state control is disabled (pin wait mode 0) |
| 1 | Wait-state control is enabled |

MDCR—Mode Control Register**H'F1****System control**

| | | | | | | | | |
|---------------|---|---|---|---|---|------|------|------|
| Bit | 7 | 6 | 5 | 4 | 3 | 2 | 1 | 0 |
| | — | — | — | — | — | MDS2 | MDS1 | MDS0 |
| Initial value | 1 | 1 | 0 | 0 | 0 | —* | —* | —* |
| Read/Write | — | — | — | — | — | R | R | R |

Mode select 2 to 0

| Bit 2 | Bit 1 | Bit 0 | Operating mode |
|-----------------|-----------------|-----------------|----------------|
| MD ₂ | MD ₁ | MD ₀ | |
| 0 | 0 | 0 | — |
| | | 1 | Mode 1 |
| | 1 | 0 | — |
| | | 1 | Mode 3 |
| 1 | 0 | 0 | — |
| | | 1 | Mode 5 |
| | 1 | 0 | Mode 6 |
| | | 1 | Mode 7 |

Note: * Determined by the state of the mode pins (MD₂ to MD₀).

SYSCR—System Control Register

H'F2

System control

| Bit | 7 | 6 | 5 | 4 | 3 | 2 | 1 | 0 |
|---------------|------|------|------|------|-----|-------|---|------|
| | SSBY | STS2 | STS1 | STS0 | UE | NMIEG | — | RAME |
| Initial value | 0 | 0 | 0 | 0 | 1 | 0 | 1 | 1 |
| Read/Write | R/W | R/W | R/W | R/W | R/W | R/W | — | R/W |

RAM enable

| | |
|---|-------------------------|
| 0 | On-chip RAM is disabled |
| 1 | On-chip RAM is enabled |

NMI edge select

| | |
|---|--|
| 0 | An interrupt is requested at the falling edge of NMI |
| 1 | An interrupt is requested at the rising edge of NMI |

User bit enable

| | |
|---|---|
| 0 | CCR bit 6 (UI) is used as an interrupt mask bit |
| 1 | CCR bit 6 (UI) is used as a user bit |

Standby timer select 2 to 0

| Bit 6 | Bit 5 | Bit 4 | Standby Timer |
|-------|-------|-------|------------------------------|
| STS2 | STS1 | STS0 | |
| 0 | 0 | 0 | Waiting time = 8192 states |
| | | 1 | Waiting time = 16384 states |
| | 1 | 0 | Waiting time = 32768 states |
| | | 1 | Waiting time = 65536 states |
| 1 | 0 | — | Waiting time = 131072 states |
| | 1 | — | Illegal setting |

Software standby

| | |
|---|--|
| 0 | SLEEP instruction causes transition to sleep mode |
| 1 | SLEEP instruction causes transition to software standby mode |

ADRCR—Address Control Register

H'F3

Bus controller

| Bit | | 7 | 6 | 5 | 4 | 3 | 2 | 1 | 0 |
|--------------------------|---------------|-------------------|-------------------|-------------------|---|---|---|---|-----|
| | | A ₂₃ E | A ₂₂ E | A ₂₁ E | — | — | — | — | — |
| Modes 1 and 5 to 7 | Initial value | 1 | 1 | 1 | 1 | 1 | 1 | 1 | 0 |
| | Read/Write | — | — | — | — | — | — | — | R/W |
| Mode 3 | Initial value | 1 | 1 | 1 | 1 | 1 | 1 | 1 | 0 |
| | Read/Write | R/W | R/W | R/W | — | — | — | — | R/W |

|

Address 23 to 21 enable

| | |
|---|-------------------------------|
| 0 | Address output |
| 1 | I/O pins other than the above |

ISCR—IRQ Sense Control Register**H'F4****Interrupt controller**

| Bit | 7 | 6 | 5 | 4 | 3 | 2 | 1 | 0 |
|---------------|-----|-----|--------|--------|-----|-----|--------|--------|
| | — | — | IRQ5SC | IRQ4SC | — | — | IRQ1SC | IRQ0SC |
| Initial value | 0 | 0 | 0 | 0 | 0 | 0 | 0 | 0 |
| Read/Write | R/W | R/W | R/W | R/W | R/W | R/W | R/W | R/W |

IRQ₅, IRQ₄, IRQ₁ and IRQ₀ sense control

| | |
|---|---|
| 0 | Interrupts are requested when $\overline{\text{IRQ}}_5$, $\overline{\text{IRQ}}_4$, $\overline{\text{IRQ}}_1$, and $\overline{\text{IRQ}}_0$ inputs are low |
| 1 | Interrupts are requested by falling-edge input at $\overline{\text{IRQ}}_5$, $\overline{\text{IRQ}}_4$, $\overline{\text{IRQ}}_1$ and $\overline{\text{IRQ}}_0$ |

IER—IRQ Enable Register**H'F5****Interrupt controller**

| Bit | 7 | 6 | 5 | 4 | 3 | 2 | 1 | 0 |
|---------------|-----|-----|-------|-------|-----|-----|-------|-------|
| | — | — | IRQ5E | IRQ4E | — | — | IRQ1E | IRQ0E |
| Initial value | 0 | 0 | 0 | 0 | 0 | 0 | 0 | 0 |
| Read/Write | R/W | R/W | R/W | R/W | R/W | R/W | R/W | R/W |

IRQ₅, IRQ₄, IRQ₁, IRQ₀ enable

| | |
|---|---|
| 0 | IRQ ₅ , IRQ ₄ , IRQ ₁ and IRQ ₀ interrupts are disabled |
| 1 | IRQ ₅ , IRQ ₄ , IRQ ₁ and IRQ ₀ interrupts are enabled |

ISR—IRQ Status Register

H'F6

Interrupt controller

| Bit | 7 | 6 | 5 | 4 | 3 | 2 | 1 | 0 |
|---------------|---|---|--------|--------|---|---|--------|--------|
| | — | — | IRQ5F | IRQ4F | — | — | IRQ1F | IRQ0F |
| Initial value | 0 | 0 | 0 | 0 | 0 | 0 | 0 | 0 |
| Read/Write | — | — | R/(W)* | R/(W)* | — | — | R/(W)* | R/(W)* |

IRQ₅, IRQ₄, IRQ₁ and IRQ₀ flags

| Bits 5, 4, 1 and 0 | |
|----------------------------------|---|
| IRQ5F IRQ4F IRQ1F IRQ0F | Setting and Clearing Conditions |
| 0 | [Clearing conditions] <ul style="list-style-type: none"> • Read IRQ_nF when IRQ_nF = 1, then write 0 in IRQ_nF. • IRQ_nSC = 0, $\overline{\text{IRQ}}_n$ input is high, and interrupt exception handling is carried out. • IRQ_nSC = 1 and IRQ_n interrupt exception handling is carried out. |
| 1 | [Setting conditions] <ul style="list-style-type: none"> • IRQ_nSC = 0 and $\overline{\text{IRQ}}_n$ input is low. • IRQ_nSC = 1 and $\overline{\text{IRQ}}_n$ input changes from high to low. |

Note: n = 5, 4, 1 and 0

Note: * Only 0 can be written to clear the flag.

IPRA—Interrupt Priority Register A**H'F8****Interrupt controller**

| | | | | | | | | |
|---------------|-------|-------|-----|-------|-------|-------|-------|-------|
| Bit | 7 | 6 | 5 | 4 | 3 | 2 | 1 | 0 |
| | IPRA7 | IPRA6 | — | IPRA4 | IPRA3 | IPRA2 | IPRA1 | IPRA0 |
| Initial value | 0 | 0 | 0 | 0 | 0 | 0 | 0 | 0 |
| Read/Write | R/W | R/W | R/W | R/W | R/W | R/W | R/W | R/W |

Priority level A7, A6, A4 to A0

| | |
|---|----------------------------------|
| 0 | Priority level 0 (low priority) |
| 1 | Priority level 1 (high priority) |

- Interrupt sources controlled by each bit

| | Bit 7 IPRA7 | Bit 6 IPRA6 | Bit 5 — | Bit 4 IPRA4 | Bit 3 IPRA3 | Bit 2 IPRA2 | Bit 1 IPRA1 | Bit 0 IPRA0 |
|------------------|------------------|------------------|------------|--|----------------|---------------------|---------------------|------------------|
| Interrupt source | IRQ ₀ | IRQ ₁ | — | IRQ ₄ , IRQ ₅ | WDT | ITU channel 0 | ITU channel 1 | ITU channel 2 |

IPRB—Interrupt Priority Register B**H'F9****Interrupt controller**

| | | | | | | | | |
|---------------|-------|-------|-----|-----|-------|-------|-------|-----|
| Bit | 7 | 6 | 5 | 4 | 3 | 2 | 1 | 0 |
| | IPRB7 | IPRB6 | — | — | IPRB3 | IPRB2 | IPRB1 | — |
| Initial value | 0 | 0 | 0 | 0 | 0 | 0 | 0 | 0 |
| Read/Write | R/W | R/W | R/W | R/W | R/W | R/W | R/W | R/W |

Priority level B7, B6, B3 to B1

| | |
|---|----------------------------------|
| 0 | Priority level 0 (low priority) |
| 1 | Priority level 1 (high priority) |

- Interrupt sources controlled by each bit

| | Bit 7 IPRB7 | Bit 6 IPRB6 | Bit 5 — | Bit 4 — | Bit 3 IPRB3 | Bit 2 IPRB2 | Bit 1 IPRB1 | Bit 0 — |
|------------------|---------------------|---------------------|------------|------------|---------------------|---------------------|------------------|------------|
| Interrupt source | ITU channel 3 | ITU channel 4 | — | — | SCI channel 0 | SCI channel 1 | A/D converter | — |

Appendix C I/O Block Diagrams

C.1 Port 1 Block Diagram

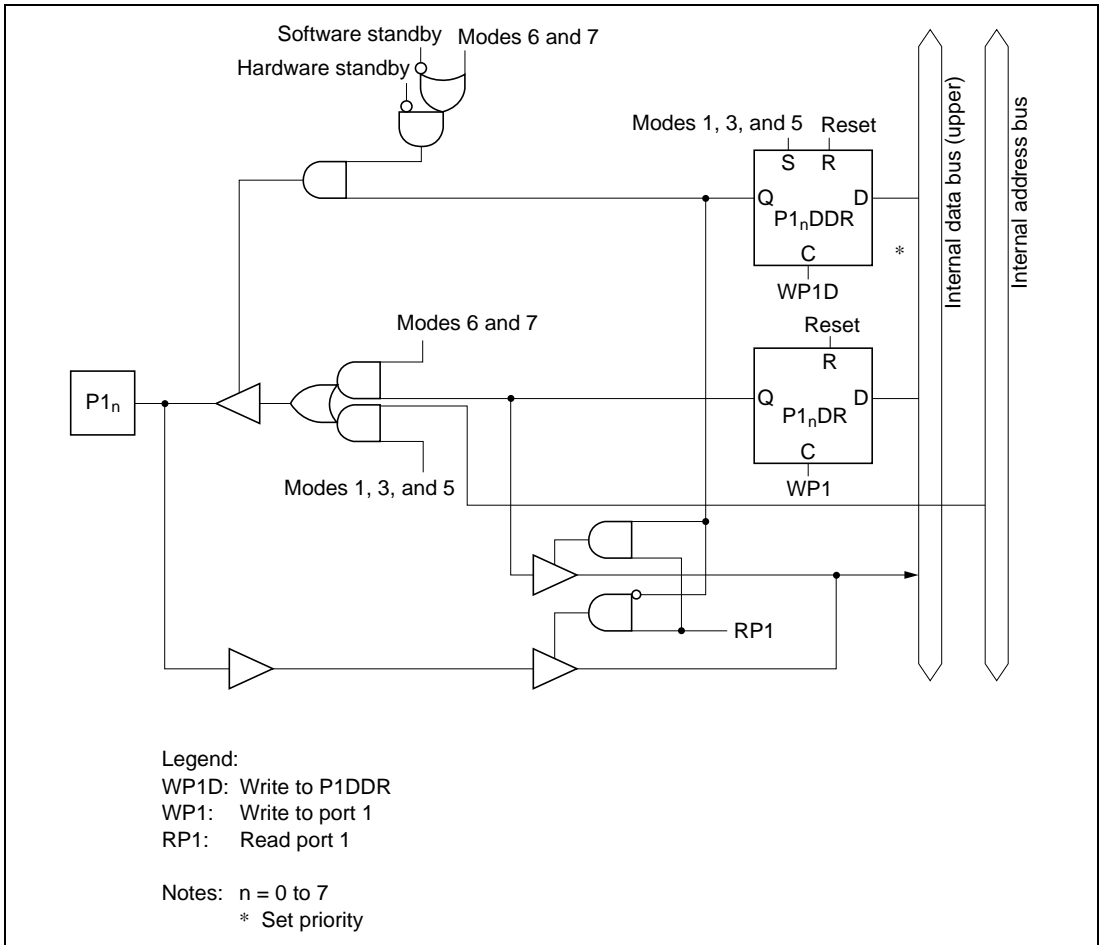


Figure C.1 Port 1 Block Diagram

C.5 Port 6 Block Diagram

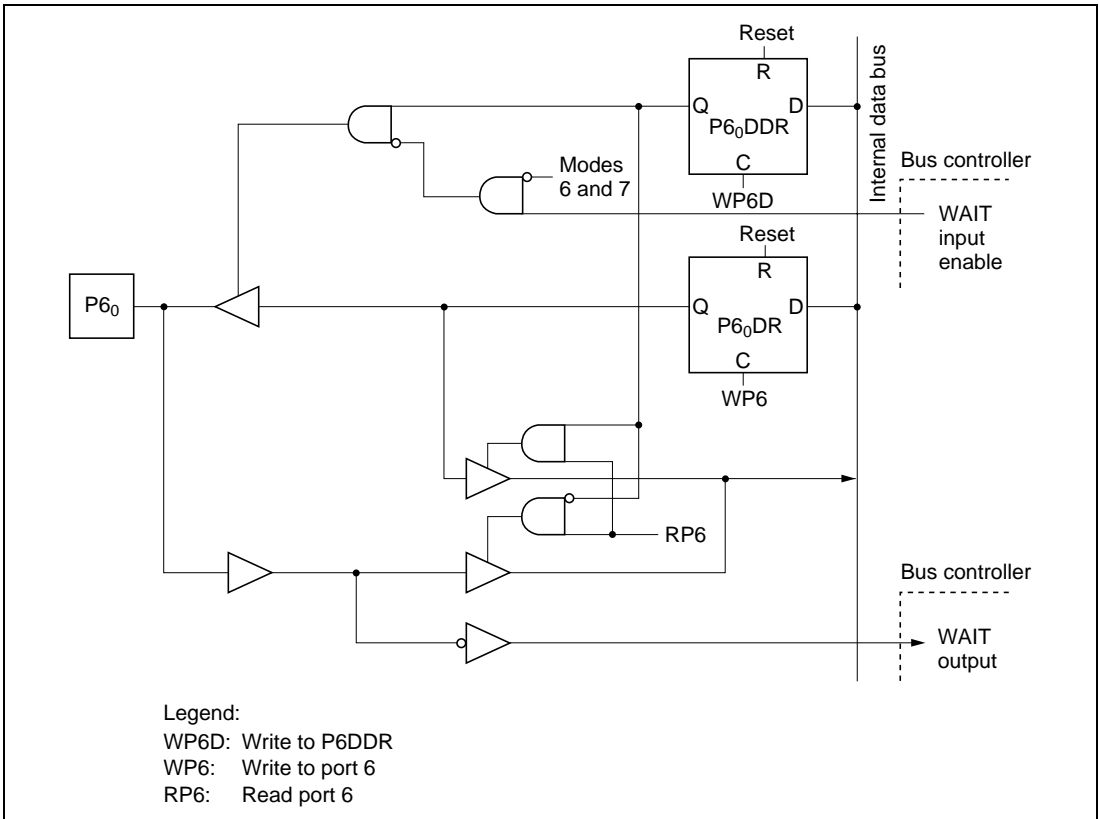


Figure C.5 (a) Port 6 Block Diagram (Pin P6₀)

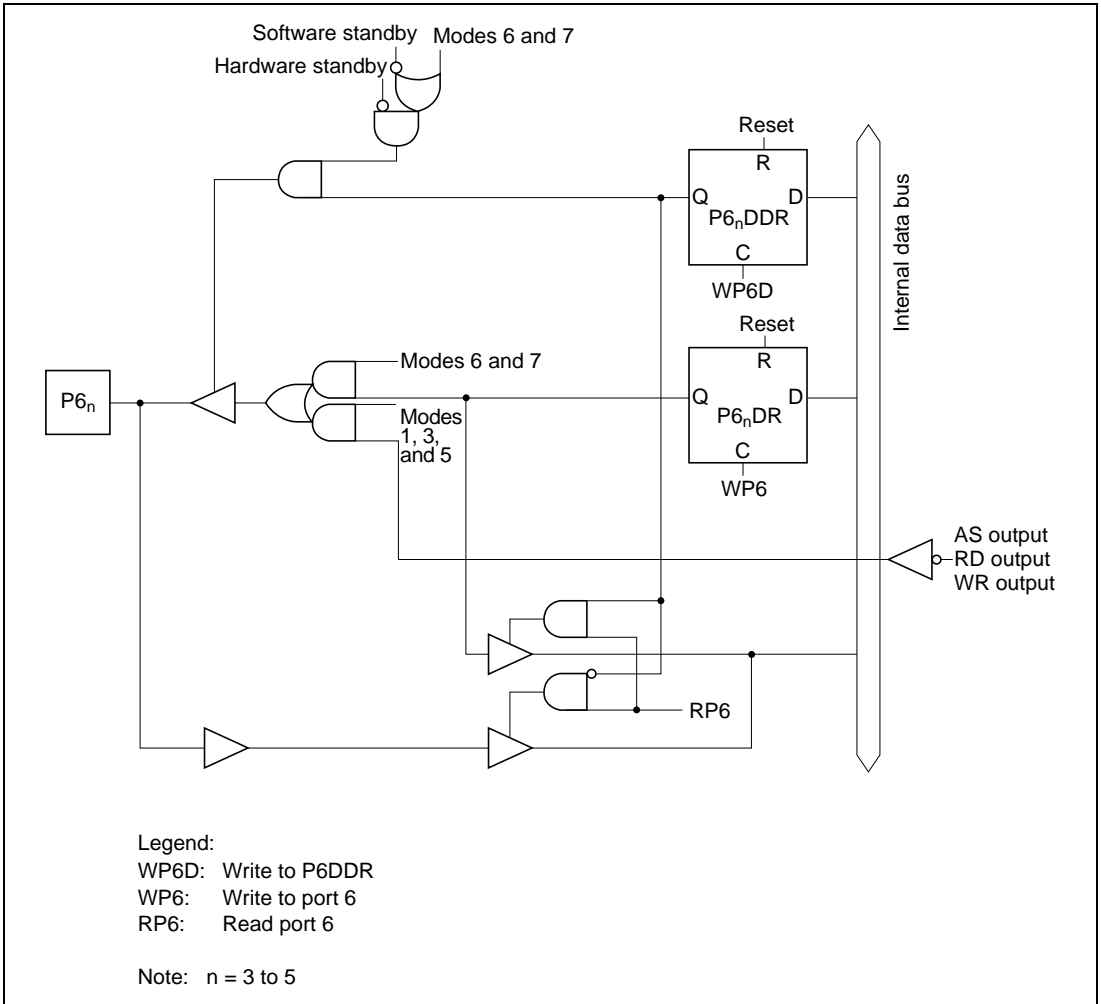


Figure C.5 (b) Port 6 Block Diagram (Pins $P6_3$ to $P6_5$)

C.6 Port 7 Block Diagram

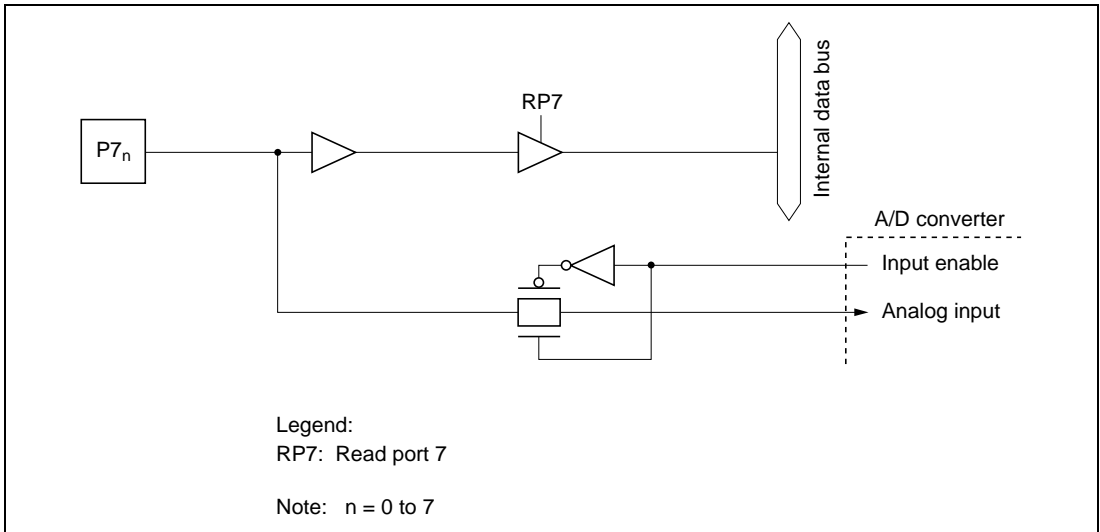


Figure C.6 Port 7 Block Diagram

C.7 Port 8 Block Diagram

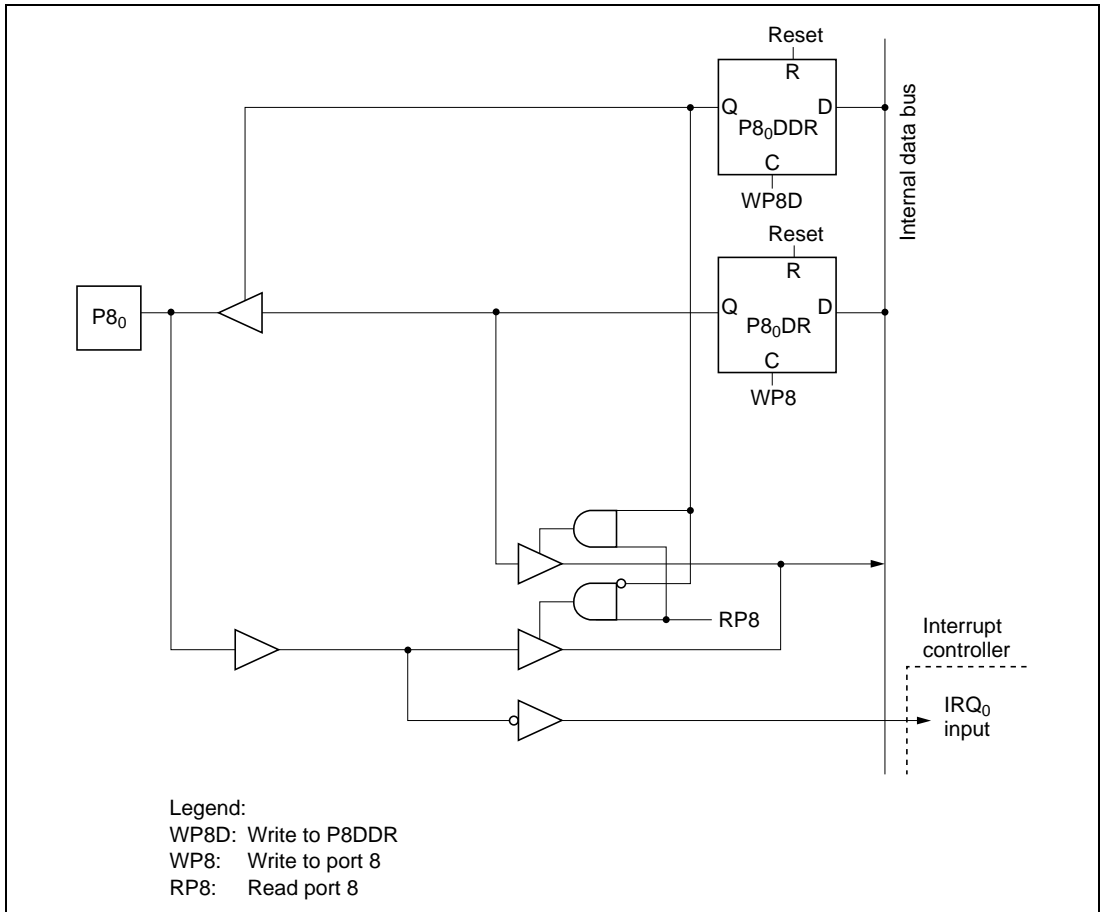


Figure C.7(a) Port 8 Block Diagram (Pin P8₀)

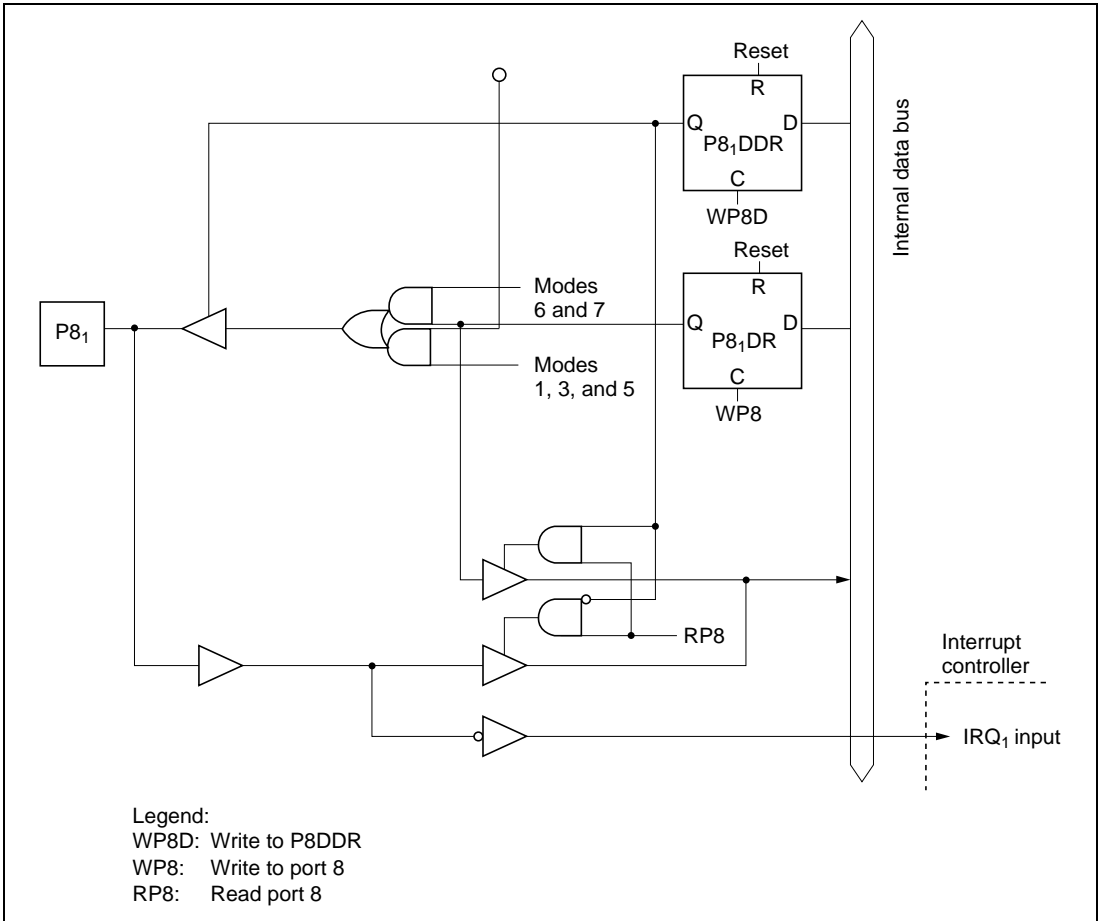


Figure C.7 (b) Port 8 Block Diagram (Pin P8₁)

C.8 Port 9 Block Diagram

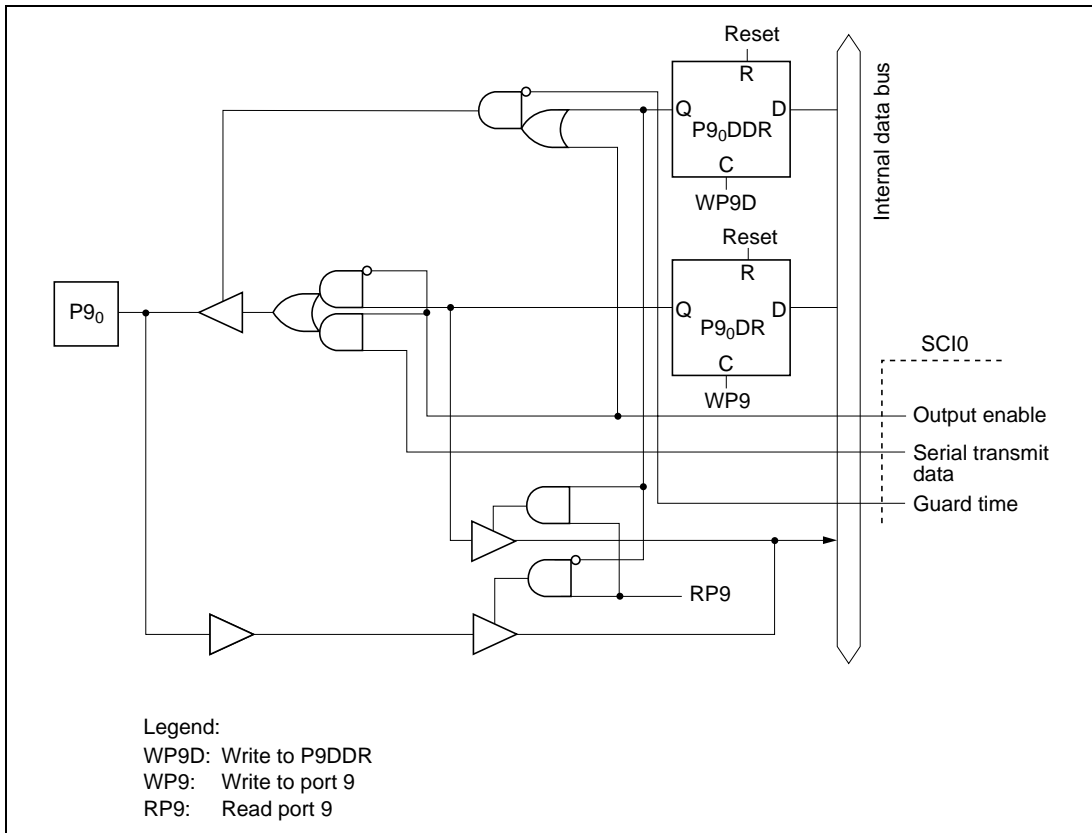


Figure C.8 (a) Port 9 Block Diagram (Pin P9₀)

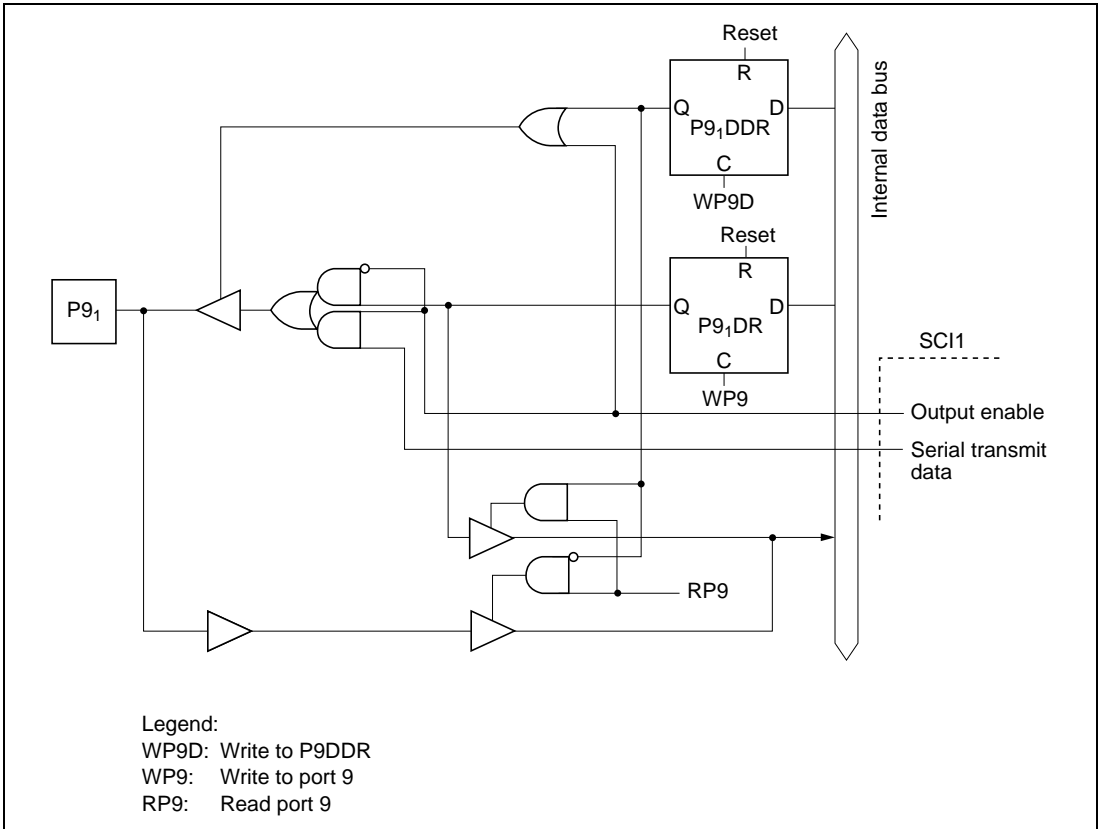


Figure C.8 (b) Port 9 Block Diagram (Pin P9₁)

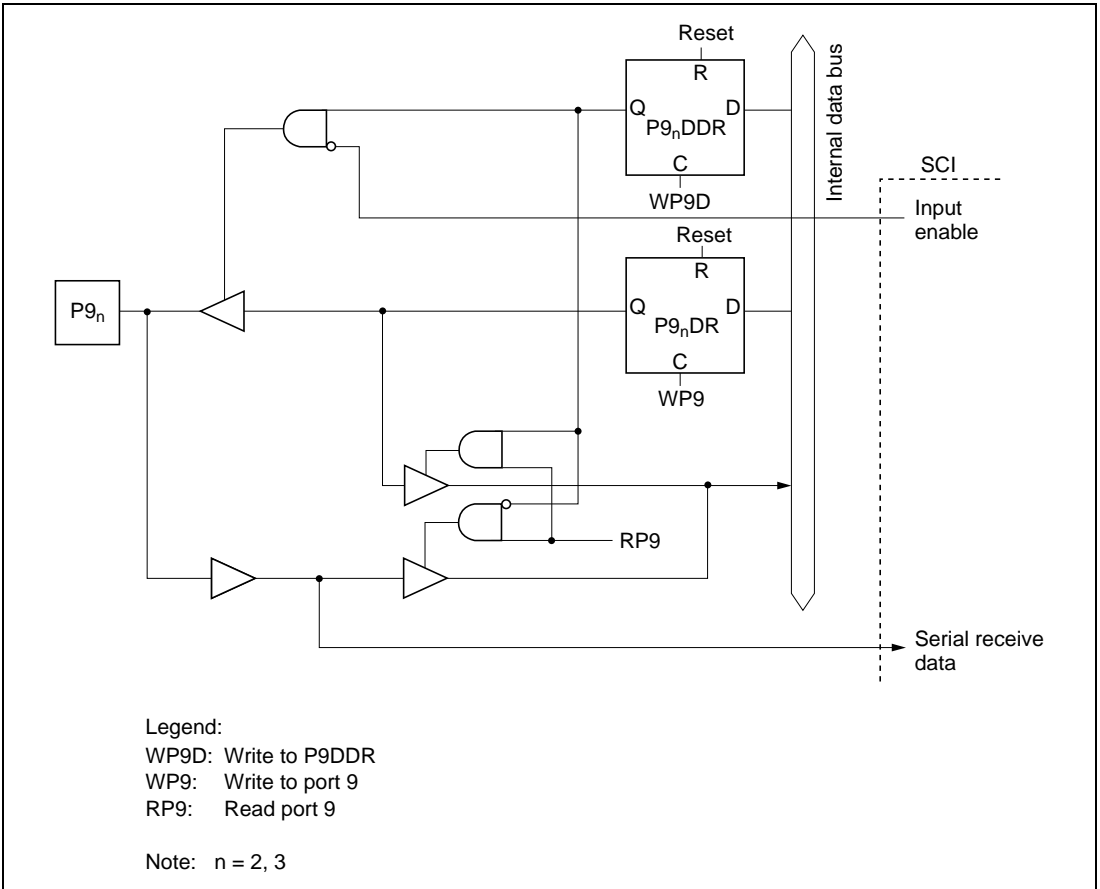


Figure C.8 (c) Port 9 Block Diagram (Pin P9_n, P9_n)

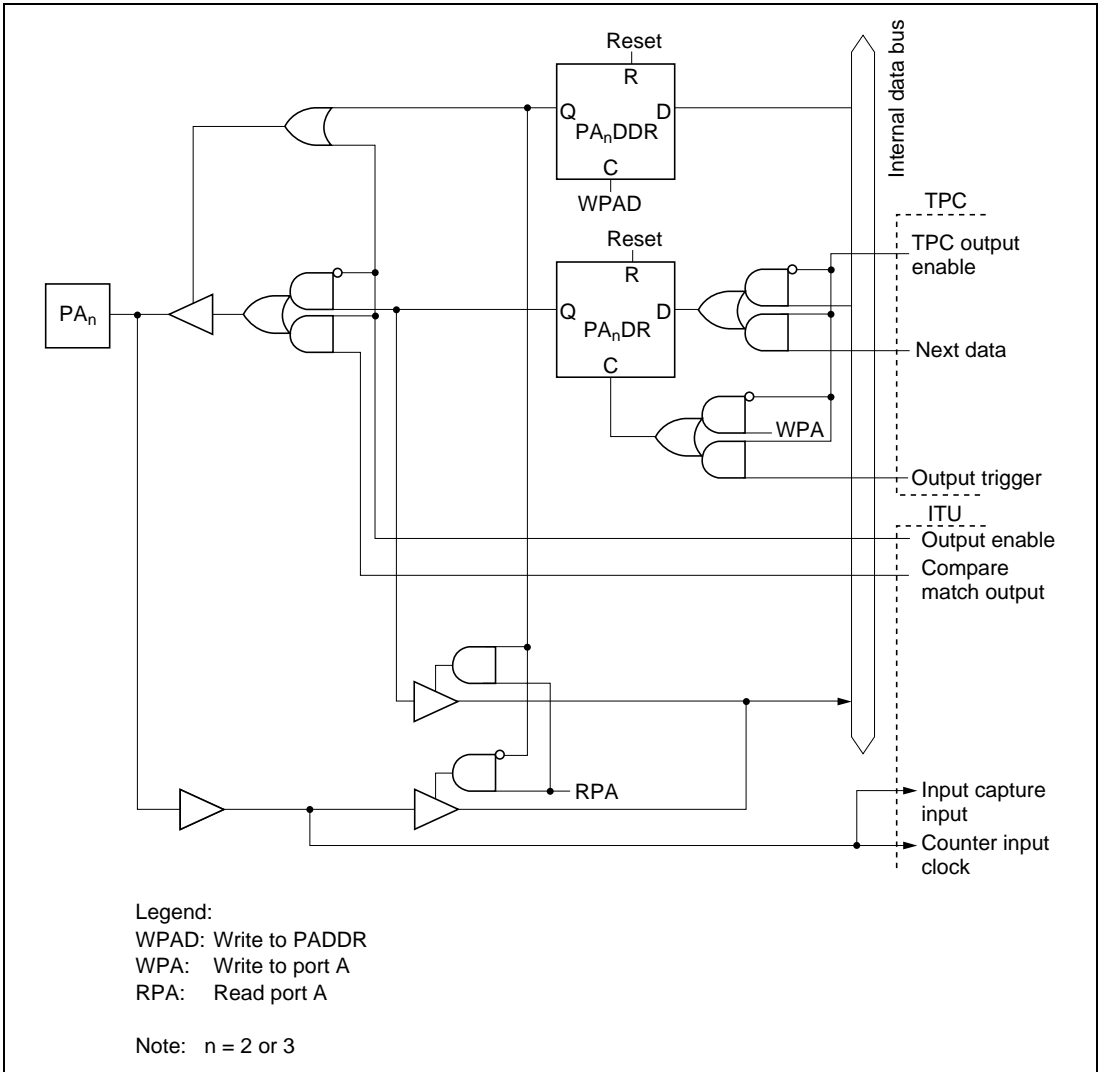


Figure C.9 (b) Port A Block Diagram (Pins PA₂, PA₃)

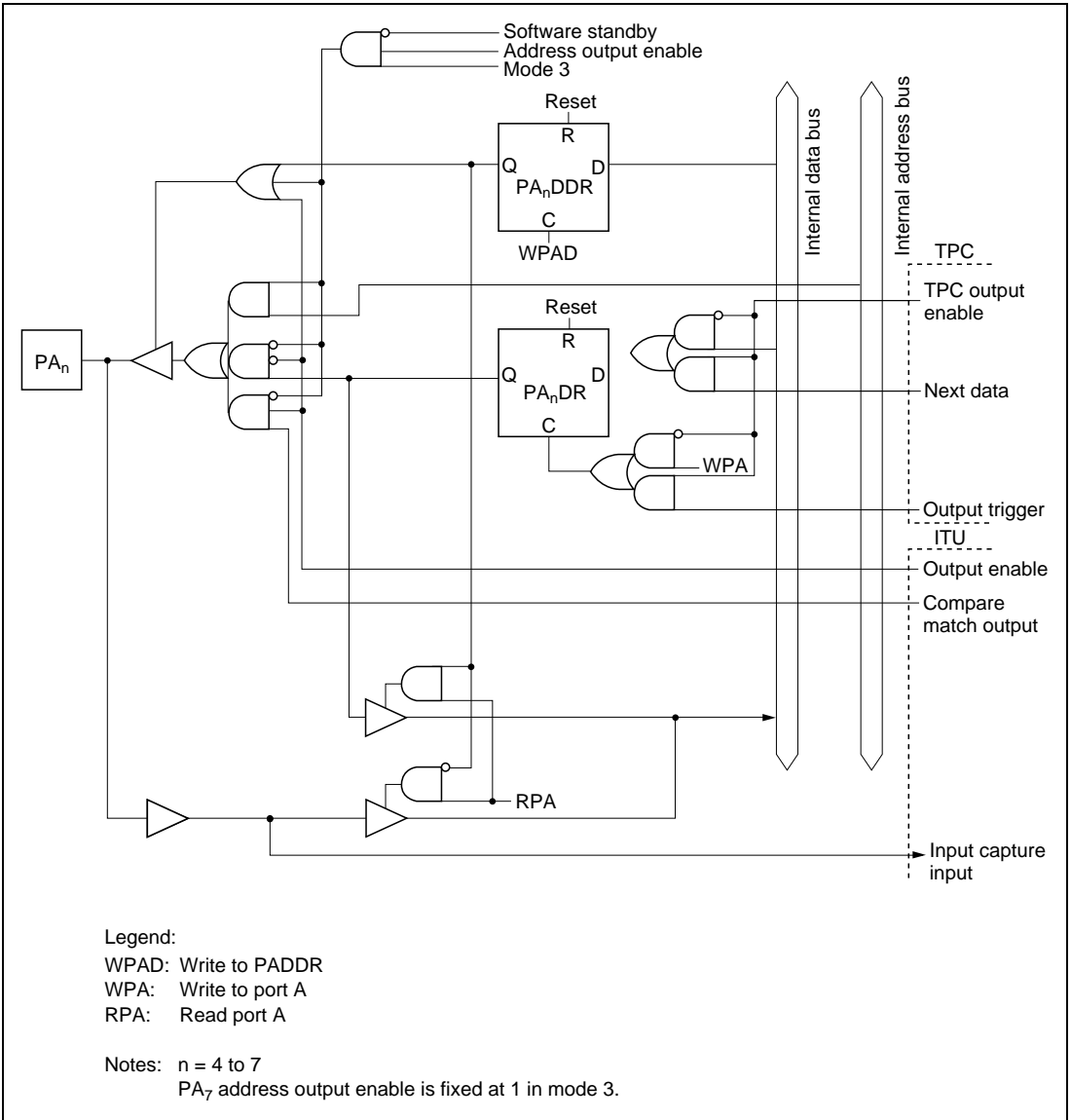


Figure C.9 (c) Port A Block Diagram (Pins PA₄ to PA₇)

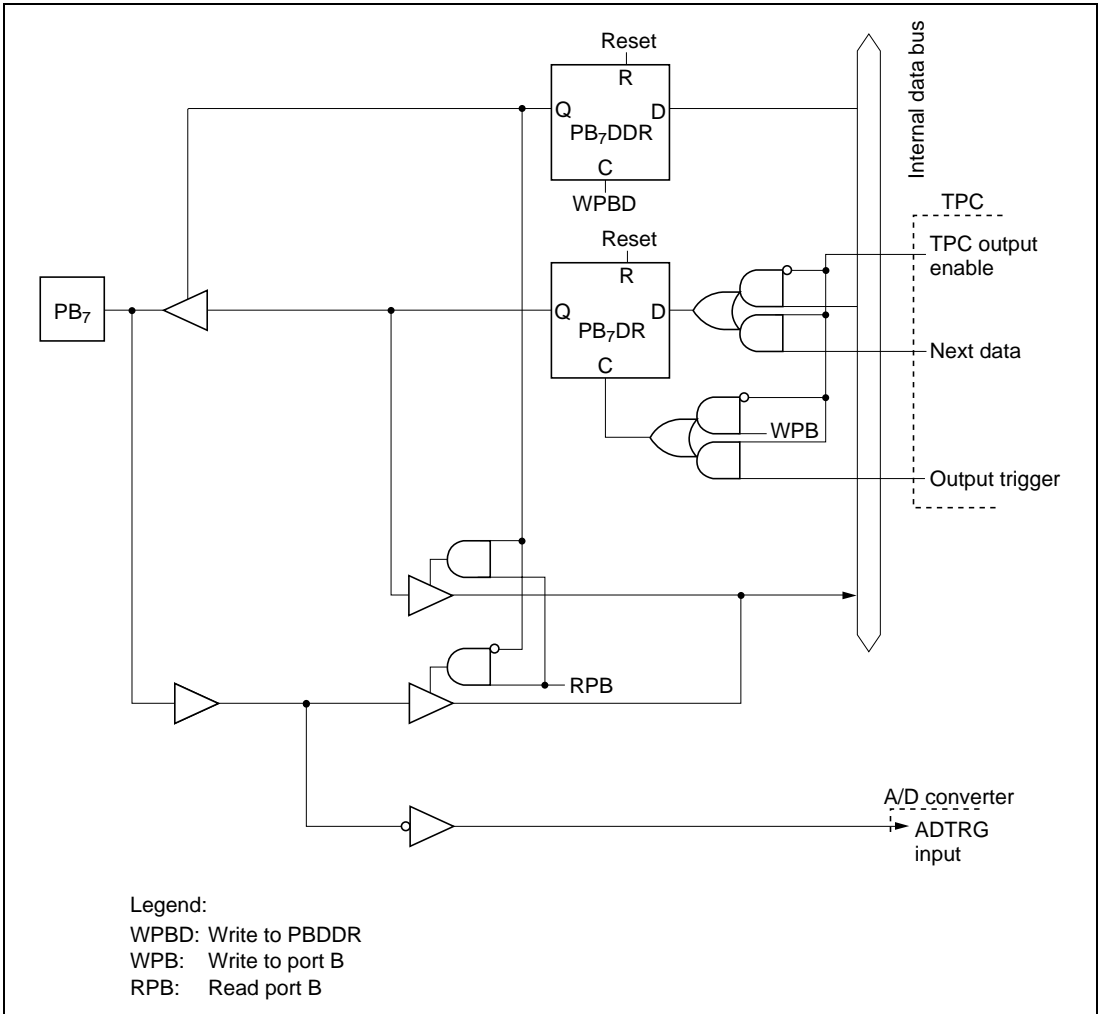


Figure C.10 (c) Port B Block Diagram (Pin PB₇)

Appendix D Pin States

D.1 Port States in Each Mode

Table D.1 Port States

| Pin Name | Mode | Reset State | Hardware Standby Mode | Software Standby Mode | Program Execution State Sleep Mode |
|------------------------------------|--------------|-----------------|-----------------------|-----------------------|--|
| ϕ | — | Clock output | T | H | Clock output |
| $\overline{\text{RESO}}^{*1}$ | — | T ^{*2} | T | T | $\overline{\text{RESO}}$ |
| P1 ₇ to P1 ₀ | 1, 3 | L | T | T | A ₇ to A ₀ |
| | 5 | T | T | keep | Input port (DDR = 0) |
| | | | | T | A ₇ to A ₀ (DDR = 1) |
| 6, 7 | T | T | keep | I/O port | |
| P2 ₇ to P2 ₀ | 1, 3 | L | T | T | A ₁₅ to A ₈ |
| | 5 | T | T | keep | Input port (DDR = 0) |
| | | | | T | A ₁₅ to A ₈ (DDR = 1) |
| 6, 7 | T | T | keep | I/O port | |
| P3 ₇ to P3 ₀ | 1, 3, 5 | T | T | T | D ₇ to D ₀ |
| | 6, 7 | T | T | keep | I/O port |
| P5 ₃ to P5 ₀ | 1, 3 | L | T | T | A ₁₉ to A ₁₆ |
| | 5 | T | T | keep | Input port (DDR = 0) |
| | | | | T | A ₁₉ to A ₁₆ (DDR = 1) |
| 6, 7 | T | T | keep | I/O port | |
| P6 ₀ | 1, 3, 5 | T | T | keep | I/O port, $\overline{\text{WAIT}}$ |
| | 6, 7 | T | T | keep | I/O port |
| P6 ₅ to P6 ₃ | 1, 3, 5 | H | T | T | $\overline{\text{WR}}$, $\overline{\text{RD}}$, $\overline{\text{AS}}$ |
| | 6, 7 | T | T | keep | I/O port |
| P7 ₇ to P7 ₀ | 1, 3, 5 to 7 | T | T | T | Input port |
| P8 ₀ | 1, 3, 5 | T | T | keep | I/O port |
| | 6, 7 | T | T | keep | I/O port |

| Pin Name | Mode | Reset State | Hardware Standby Mode | Software Standby Mode | Program Execution State Sleep Mode |
|--|--------------|-------------|-----------------------|-----------------------|---|
| P8 ₁ | 1, 3, 5 | T | T | T [DDR = 0] | Input port [DDR = 0] |
| | | | | H [DDR = 1] | H [DDR = 1] |
| | 6, 7 | T | T | keep | I/O port |
| P9 ₅ to P9 ₀ | 1, 3, 5 to 7 | T | T | keep | I/O port |
| PA ₃ to PA ₀ | 1, 3, 5 to 7 | T | T | keep | I/O port |
| PA ₆ to PA ₄ | 3 | T | T | [ADRCR = 0] T | (ADRCR = 0) A ₂₁ to A ₂₃ |
| | | | | [ADRCR = 1] keep | (ADRCR = 1) I/O port |
| | 1, 5, 6, 7 | T | T | keep | I/O port |
| PA ₇ | 3 | L | T | T | A ₂₀ |
| | 1, 5, 6, 7 | T | T | keep | I/O port |
| PB ₇ , PB ₅ to PB ₀ | 1, 3, 5 to 7 | T | T | keep | I/O port |

Legend:

H: High

L: Low

T: High-impedance state

keep: Input pins are in the high-impedance state; output pins maintain their previous state.

DDR: Data direction register bit

ADRCR: Address control register

Notes: 1 Mask ROM version. Dedicated FWE input pin for the F-ZTAT version.

2 Low output only when WDT overflows causes a reset.

D.2 Pin States at Reset

Reset in T1 State

Figure D.1 is a timing diagram for the case in which $\overline{\text{RES}}$ goes low during the T1 state of an external memory access cycle. As soon as $\overline{\text{RES}}$ goes low, all ports are initialized to the input state. $\overline{\text{AS}}$, $\overline{\text{RD}}$, and $\overline{\text{WR}}$ go high, and the data bus goes to the high-impedance state. The address bus is initialized to the low output level 0.5 state after the low level of $\overline{\text{RES}}$ is sampled. Sampling of $\overline{\text{RES}}$ takes place at the fall of the system clock (ϕ).

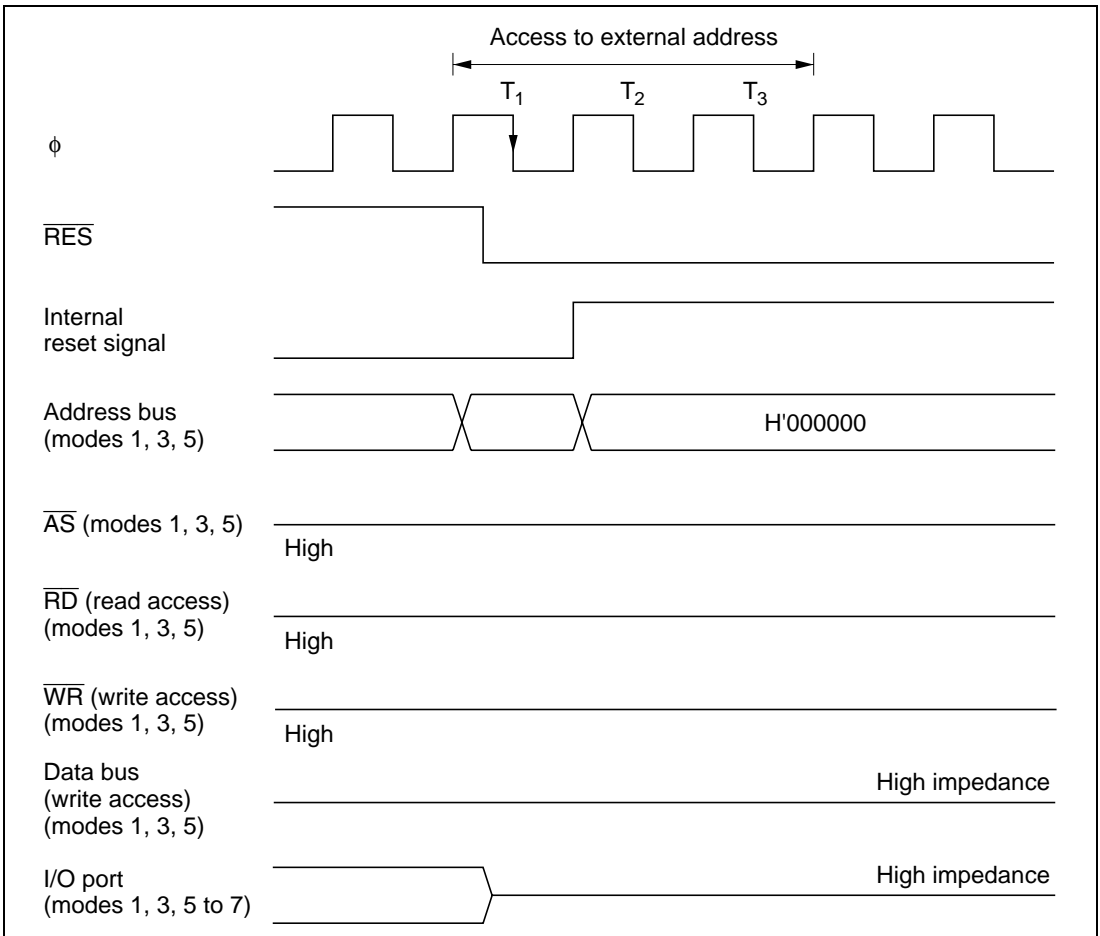


Figure D.1 Reset during Memory Access (Reset during T1 State)

Reset in T2 State

Figure D.2 is a timing diagram for the case in which $\overline{\text{RES}}$ goes low during the T2 state of an external memory access cycle. As soon as $\overline{\text{RES}}$ goes low, all ports are initialized to the input state. $\overline{\text{AS}}$, $\overline{\text{RD}}$, and $\overline{\text{WR}}$ go high, and the data bus goes to the high-impedance state. The address bus is initialized to the low output level 0.5 state after the low level of $\overline{\text{RES}}$ is sampled. The same timing applies when a reset occurs during a wait state (T_w).

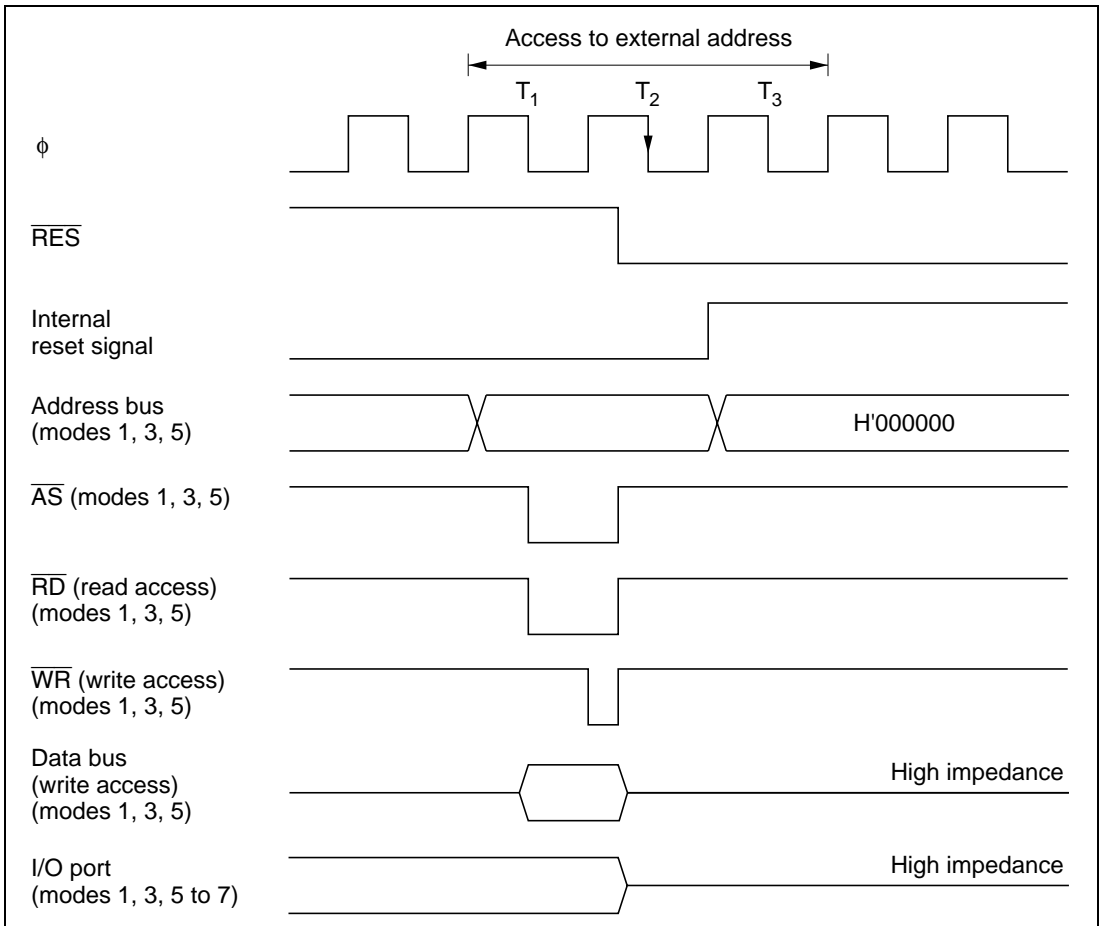


Figure D.2 Reset during Memory Access (Reset during T2 State)

Reset in T3 State

Figure D.3 is a timing diagram for the case in which $\overline{\text{RES}}$ goes low during the T_3 state of an external memory access cycle. As soon as $\overline{\text{RES}}$ goes low, all ports are initialized to the input state. $\overline{\text{AS}}$, $\overline{\text{RD}}$, and $\overline{\text{WR}}$ go high, and the data bus goes to the high-impedance state. The address bus outputs are held during the T_3 state. The same timing applies when a reset occurs in the T_2 state of an access cycle to a two-state-access area.

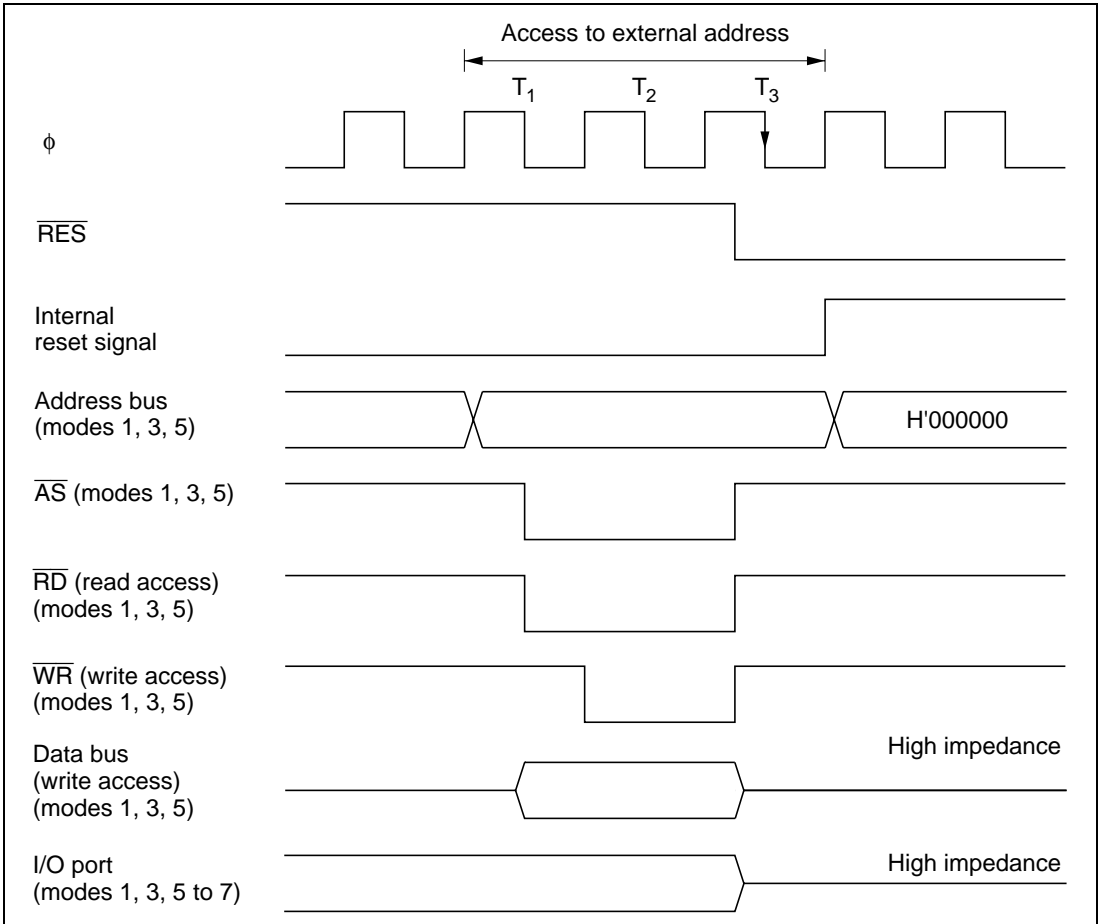
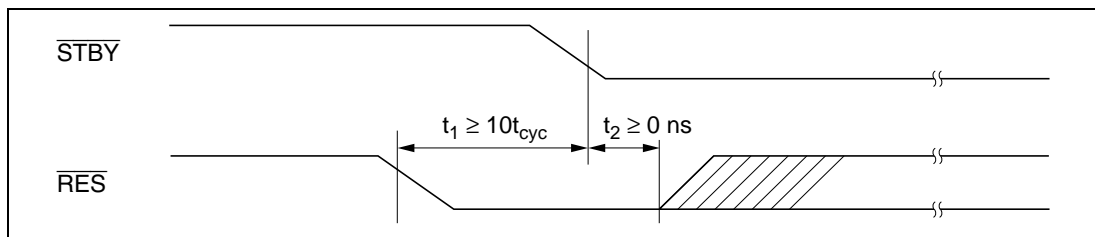


Figure D.3 Reset during Memory Access (Reset during T3 State)

Appendix E Timing of Transition to and Recovery from Hardware Standby Mode

Timing of Transition to Hardware Standby Mode

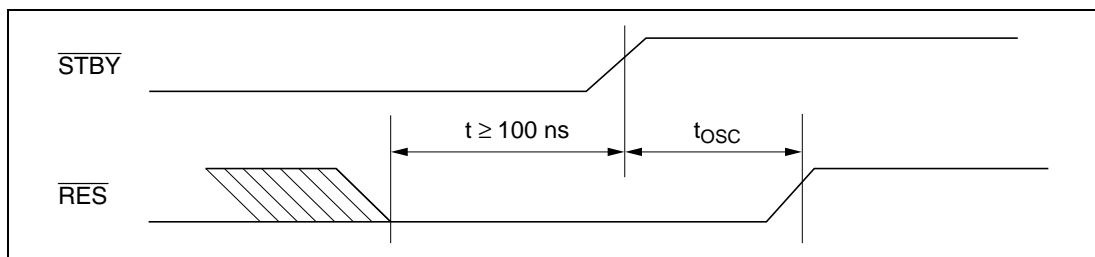
- (1) To retain RAM contents with the RAME bit set to 1 in SYSCR, drive the $\overline{\text{RES}}$ signal low 10 system clock cycles before the $\overline{\text{STBY}}$ signal goes low, as shown below. $\overline{\text{RES}}$ must remain low until $\overline{\text{STBY}}$ goes low (minimum delay from $\overline{\text{STBY}}$ low to $\overline{\text{RES}}$ high: 0 ns).



- (2) To retain RAM contents with the RAME bit cleared to 0 in SYSCR, $\overline{\text{RES}}$ does not have to be driven low as in (1).

Timing of Recovery from Hardware Standby Mode

Drive the $\overline{\text{RES}}$ signal low approximately 100 ns before $\overline{\text{STBY}}$ goes high.



Appendix F Product Lineup

Table F.1 H8/3039 Group Product Lineup

| Product Type | | | Part Number | Mark Code | Package (Package Code) |
|----------------|-------------------------|-------------------|-----------------------|-----------------------|---------------------------|
| H8/3039 | Flash memory version | 5 V version | HD64F3039F | HD64F3039F | 80-pin QFP (FP-80A) |
| | | | HD64F3039TE | HD64F3039TE | 80-pin TQFP (TFP-80C) |
| | 3 V version | HD64F3039VF | HD64F3039VF | 80-pin QFP (FP-80A) | |
| | | HD64F3039VTE | HD64F3039VTE | 80-pin TQFP (TFP-80C) | |
| | Mask ROM version | 5 V version | HD6433039F | HD6433039(***)F | 80-pin QFP (FP-80A) |
| | | | HD6433039TE | HD6433039(***)TE | 80-pin TQFP (TFP-80C) |
| 3 V version | HD6433039VF | HD6433039(***)VF | 80-pin QFP (FP-80A) | | |
| | HD6433039VTE | HD6433039(***)VTE | 80-pin TQFP (TFP-80C) | | |
| H8/3038 | Mask ROM version | 5 V version | HD6433038F | HD6433038(***)F | 80-pin QFP (FP-80A) |
| | | | HD6433038TE | HD6433038(***)TE | 80-pin TQFP (TFP-80C) |
| | 3 V version | HD6433038VF | HD6433038(***)VF | 80-pin QFP (FP-80A) | |
| | | HD6433038VTE | HD6433038(***)VTE | 80-pin TQFP (TFP-80C) | |
| H8/3037 | Mask ROM version | 5 V version | HD6433037F | HD6433037(***)F | 80-pin QFP (FP-80A) |
| | | | HD6433037TE | HD6433037(***)TE | 80-pin TQFP (TFP-80C) |
| | 3 V version | HD6433037VF | HD6433037(***)VF | 80-pin QFP (FP-80A) | |
| | | HD6433037VTE | HD6433037(***)VTE | 80-pin TQFP (TFP-80C) | |
| H8/3036 | Mask ROM version | 5 V version | HD6433036F | HD6433036(***)F | 80-pin QFP (FP-80A) |
| | | | HD6433036TE | HD6433036(***)TE | 80-pin TQFP (TFP-80C) |
| | 3 V version | HD6433036VF | HD6433036(***)VF | 80-pin QFP (FP-80A) | |
| | | HD6433036VTE | HD6433036(***)VTE | 80-pin TQFP (TFP-80C) | |

Note: (***) in mask ROM versions is the ROM code.

Appendix G Package Dimensions

The package dimension that is shown in the Renesas Semiconductor Package Data Book has priority.

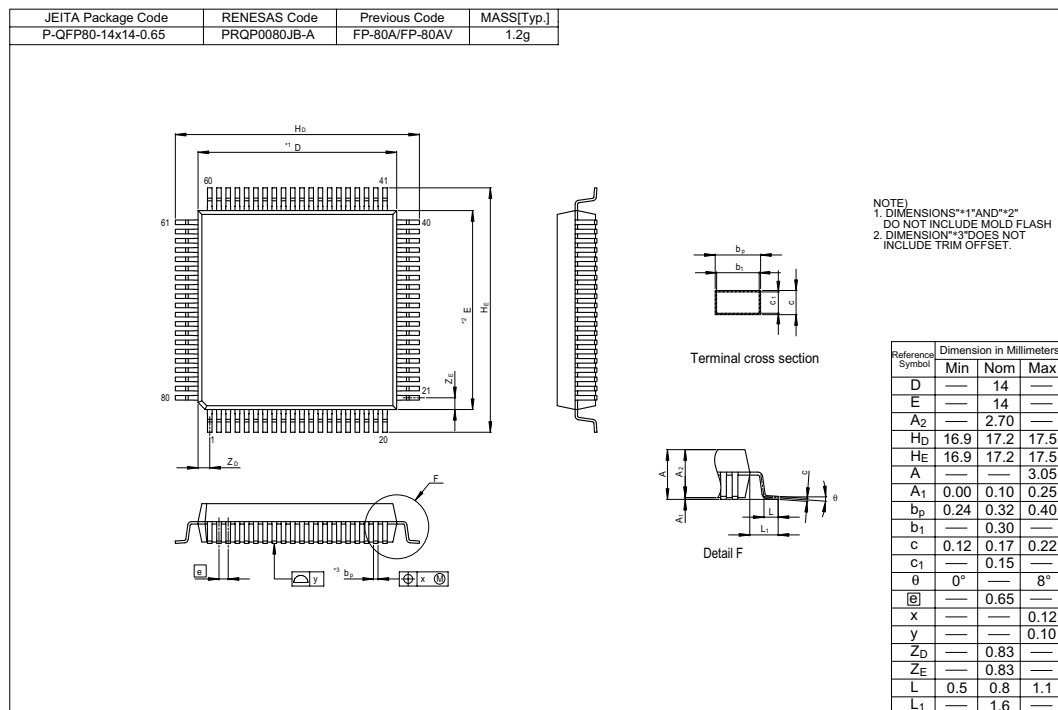


Figure G.1 Package Dimensions (FP-80A)

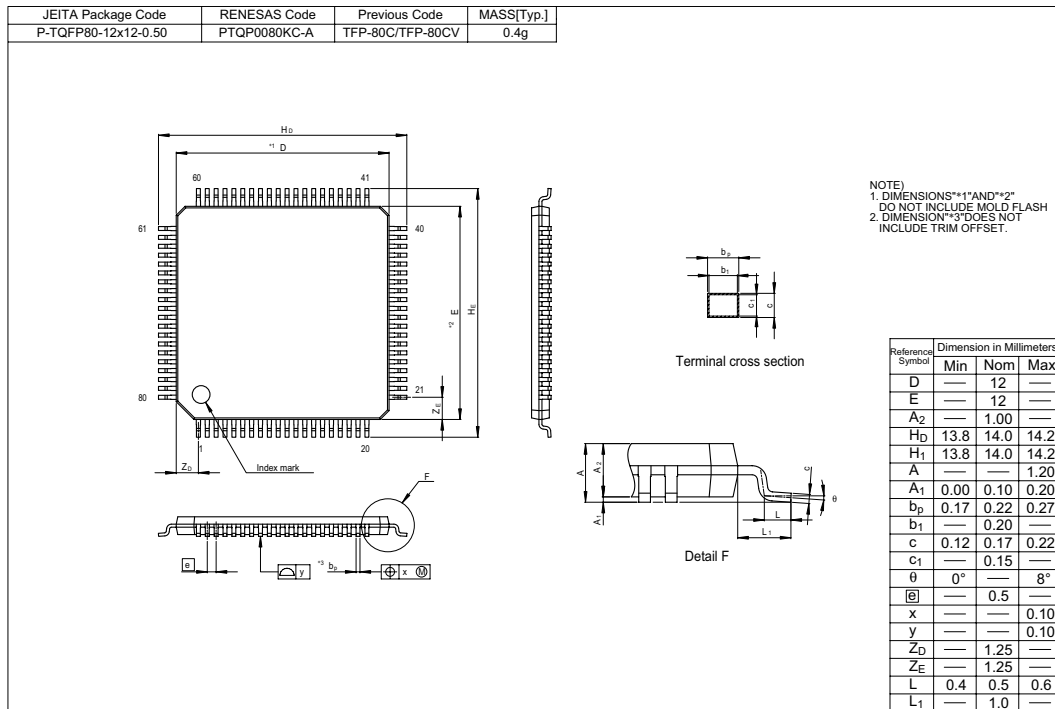


Figure G.2 Package Dimensions (TFP-80C)

**Renesas 16-Bit Single-Chip Microcomputer
Hardware Manual
H8/3039 Group, H8/3039F-ZTAT™**

Publication Date: 1st Edition, December 1997
Rev.3.00, March 26, 2007

Published by: Sales Strategic Planning Div.
Renesas Technology Corp.

Edited by: Customer Support Department
Global Strategic Communication Div.
Renesas Solutions Corp.

Renesas Technology Corp. Sales Strategic Planning Div. Nippon Bldg., 2-6-2, Ohte-machi, Chiyoda-ku, Tokyo 100-0004, Japan



RENESAS SALES OFFICES

<http://www.renesas.com>

Refer to "<http://www.renesas.com/en/network>" for the latest and detailed information.

Renesas Technology America, Inc.

450 Holger Way, San Jose, CA 95134-1368, U.S.A
Tel: <1> (408) 382-7500, Fax: <1> (408) 382-7501

Renesas Technology Europe Limited

Dukes Meadow, Millboard Road, Bourne End, Buckinghamshire, SL8 5FH, U.K.
Tel: <44> (1628) 585-100, Fax: <44> (1628) 585-900

Renesas Technology (Shanghai) Co., Ltd.

Unit 204, 205, AZIACenter, No.1233 Lujiazui Ring Rd, Pudong District, Shanghai, China 200120
Tel: <86> (21) 5877-1818, Fax: <86> (21) 6887-7898

Renesas Technology Hong Kong Ltd.

7th Floor, North Tower, World Finance Centre, Harbour City, 1 Canton Road, Tsimshatsui, Kowloon, Hong Kong
Tel: <852> 2265-6688, Fax: <852> 2730-6071

Renesas Technology Taiwan Co., Ltd.

10th Floor, No.99, Fushing North Road, Taipei, Taiwan
Tel: <886> (2) 2715-2888, Fax: <886> (2) 2713-2999

Renesas Technology Singapore Pte. Ltd.

1 Harbour Front Avenue, #06-10, Keppel Bay Tower, Singapore 098632
Tel: <65> 6213-0200, Fax: <65> 6278-8001

Renesas Technology Korea Co., Ltd.

Kukje Center Bldg. 18th Fl., 191, 2-ka, Hangang-ro, Yongsan-ku, Seoul 140-702, Korea
Tel: <82> (2) 796-3115, Fax: <82> (2) 796-2145

Renesas Technology Malaysia Sdn. Bhd

Unit 906, Block B, Menara Amcorp, Amcorp Trade Centre, No.18, Jalan Persiaran Barat, 46050 Petaling Jaya, Selangor Darul Ehsan, Malaysia
Tel: <603> 7955-9390, Fax: <603> 7955-9510

H8/3039 Group, H8/3039F-ZTAT™ Hardware Manual



Renesas Electronics Corporation

1753, Shimonumabe, Nakahara-ku, Kawasaki-shi, Kanagawa 211-8668 Japan

REJ09B0353-0300