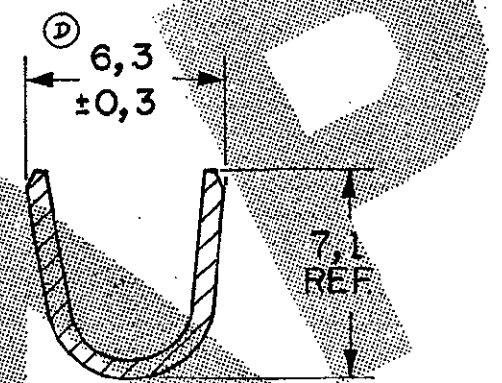
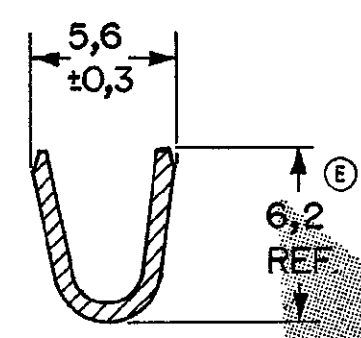
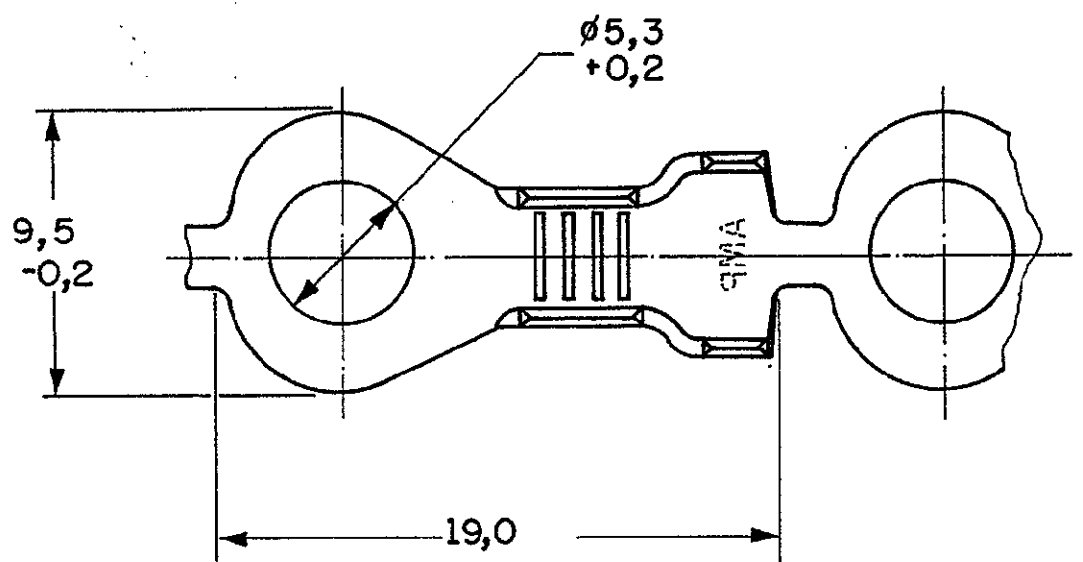


C 626036A

DO NOT SCALE
DIMENSIONS IN

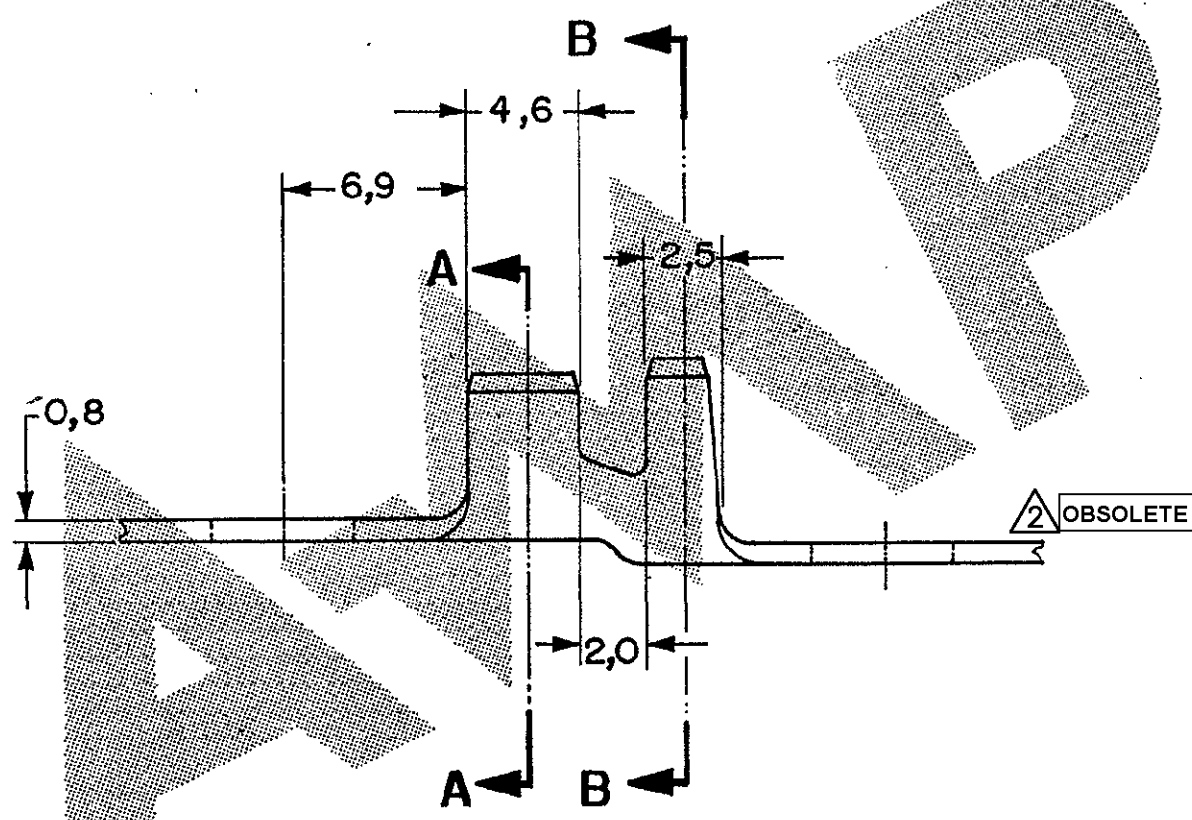
METRIC

3rd ANGLE PROJECTION



SEC.-A A

SEC.-B B



△ REBOBINAR INTERCALANDO COM PAPEL.
△ OBSOLETE PARTS: OBSOLETE CIS STREAMLINING PER D.RENAUD/D.SINISI

OTHER TREATMENT	FINISH	MATERIAL	PART NUMBER
		BRONZE	4
		LATÃO	- 3
		LATÃO	- 2
		LATÃO	626036 - 1
CUSTOMER DWG for REFERENCE ONLY		THIS DRAWING IS UNPUBLISHED RELEASED FOR PUBLICATION 19	
		© COPYRIGHT 19 BY AMP DO BRASIL LTDA. S.P. ALL INTERNATIONAL RIGHTS RESERVED AMP PRODUCTS MAY BE COVERED BY U.S. AND FOREIGN PATENTS AND/OR PATENTS PENDING.	
TOLERANCES UNLESS OTHERWISE STATED DEC. ± 0,3 ANGLES ± 1°		INS. DIA. RANGE 3,2 - 5,3 mm	WIRE RANGE 4 - 6 mm ²
		SCALE 4 : 1	
		AMP do BRASIL LTDA. São Paulo, Brasil	
		DESCRIPTION RING TONGUE	
DR. M.R.Briz 07-Jan-92		Dwg No C 626036	
CHK. J. Guinther 8-1-92		SHEET 1 OF 1	
E1 REVISED PER ECO-10-000445 KK AEG 09JAN10		A3	
E WAS 6.20±0,3 ECO21-00 MRB J.F. 10-MAR-92		C 626036	
D PDES. C/MODIF. PER ECO 2876 M.R.Briz DLF 6-1-92			
APP. J. Guinther 8-1-92			
REVISION RECORD DR CHK DATE			

AMP

AMP