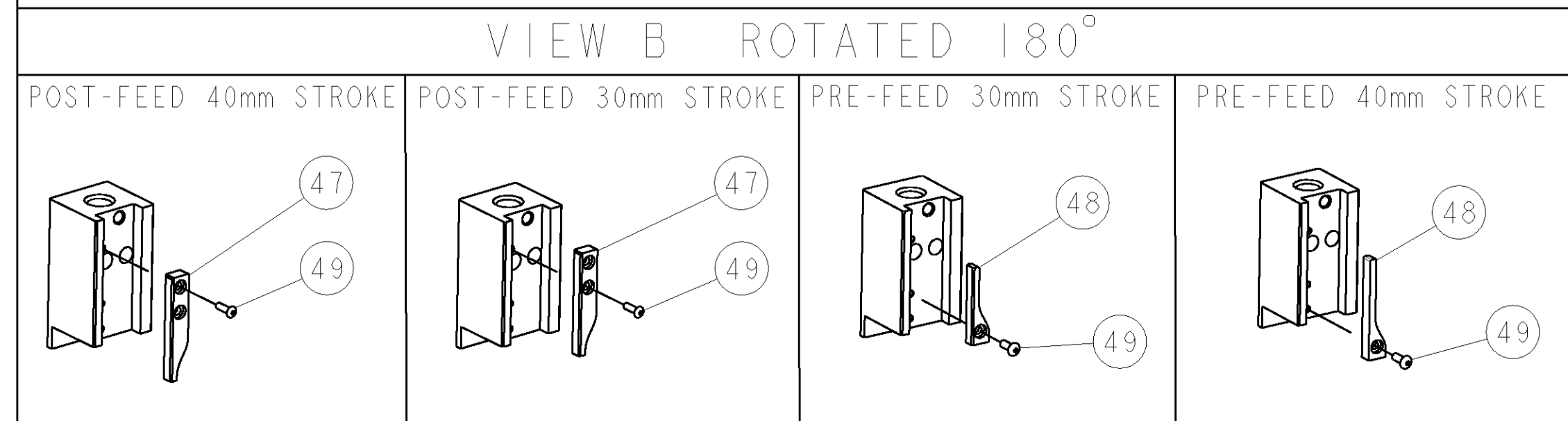
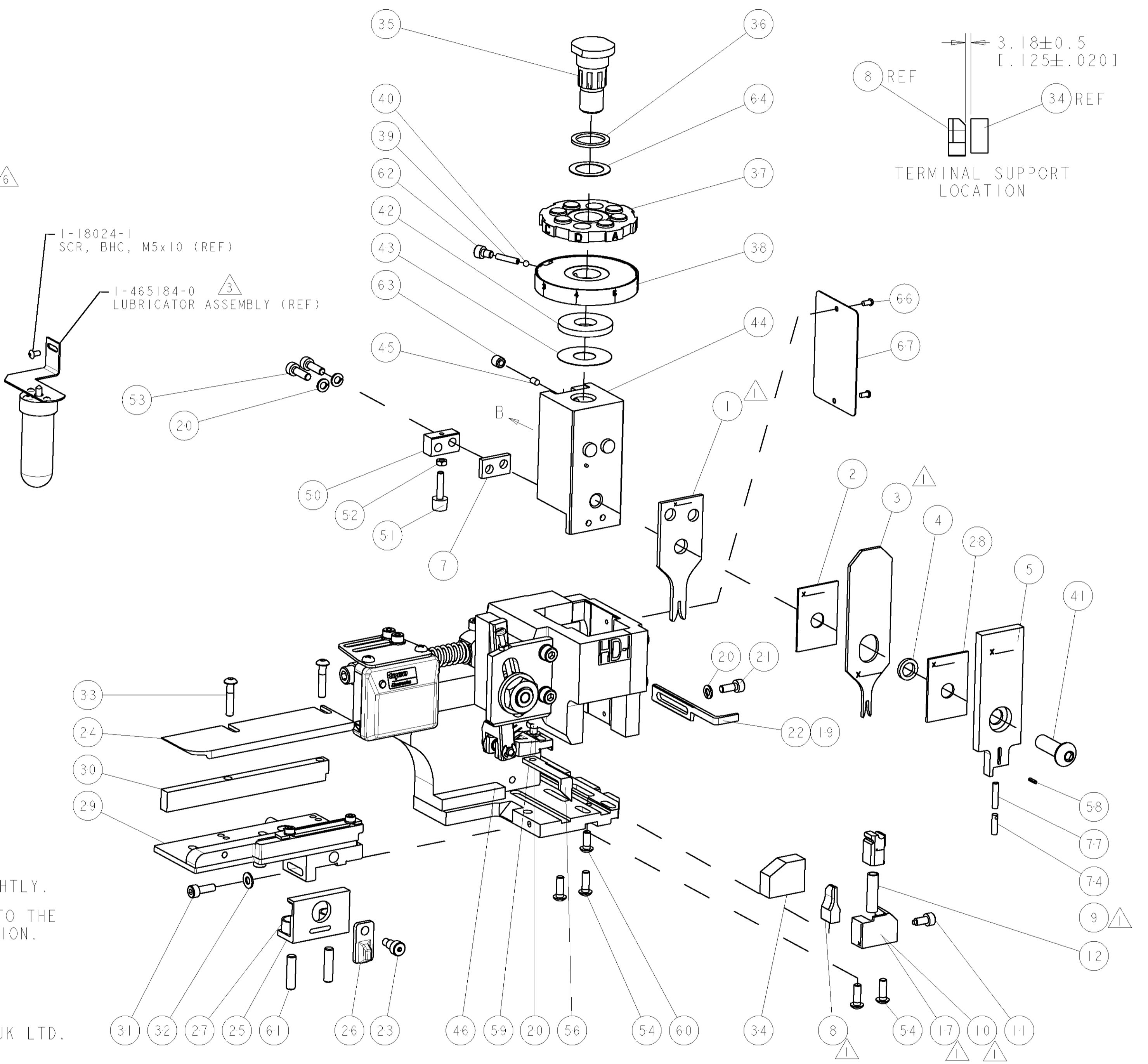


PART NUMBER	REV	TERMINATOR	FEED TYPE	DESCRIPTION
1426676-1	A	LEADMAKER	MECH POST FEED	CUTS CARRIER
1426676-2	A	BENCH	MECH PRE FEED	CUTS CARRIER
1426676-6	A	LEADMAKER	MECH POST FEED	CONTINUOUS CARRIER
7-1426676-1	A	LEADMAKER	MECH POST FEED	-1 AND SPARE PARTS
7-1426676-2	A	BENCH	MECH PRE FEED	-2 AND SPARE PARTS
7-1426676-6	A	LEADMAKER	MECH POST FEED	-6 AND SPARE PARTS
7-1426676-7	A	-	-	SPARE PARTS KIT

WIRE STRIP LENGTH		APPL INSTRUCTIONS	
3.28-4.08 [1.129-.160 IN]		408-8322	
TERMINAL APPL SPEC	-	FEED	6.99 [.275 IN]
TERMINALS APPLIED		TE PN	MANUF'S PN
TE PN	MANUF'S PN	-	-
1949702-1	RFB 7808 V 0.6-0.5	-	-
-	-	-	-
-	-	-	-
-	-	-	-
-	-	-	-
WIRE SIZE	CRIMP HEIGHT	PIN PN & LENGTH [IN]	
0.50mm ² or 20AWG	1.02 ±0.05 [.040 ±.002 IN]	9-354778-9 [.2990]	
0.34mm ² or 22AWG	0.94 ±0.05 [.037 ±.002 IN]	354779-6 [.3020]	
0.25mm ² or 24AWG	0.88 ±0.05 [.035 ±.002 IN]	1-354779-0 [.3040]	
-	-	-	-
-	-	-	-
-	-	-	-
-	-	-	-
-	-	-	-

- RECOMMENDED SPARE PARTS.
- GREASE RAM, CAM, CAM FOLLOWER AND FEED ROD LIGHTLY.
- CERTAIN TERMINALS REQUIRE LUBRICATION. REFER TO THE APPLICATOR INSTRUCTION SHEET FOR MORE INFORMATION.
- LUBRICATE DAILY PER THE APPLICATOR INSTRUCTION SHEET SUPPLIED WITH THE APPLICATOR.
- ALL CRIMP DATA CALCULATED BY TYCO ELECTRONICS UK LTD.
- INS. RANGE STATED IS THAT OF THE APPLICATOR.



-	-	-	-	-	-	-	84		
-	-	-	-	-	-	-	83		
-	-	-	-	-	-	-	82		
-	-	-	-	-	-	-	81		
-	-	-	-	-	-	-	80		
-	-	-	-	-	-	-	79		
-	-	-	-	-	-	-	78		
-	-	-	-	-	-	22278-9	SPRING, COMPRESSION	77	
-	-	-	-	-	-	-	-	76	
-	-	-	-	-	-	-	-	75	
-	-	-	-	-	-	854769-4	HOLDER, INS	74	
-77	-76	-72	-71	-6	-2	-1	PART NO	DESCRIPTION	ITEM NO

SET UP GAGE 458637-3		LOC	DIST	REVISIONS						
A	66			REV	DATE	BY	CHK	APPV		
				A	ECR-08-019495	07AUG2008	MB	MC		
-	-	-	-	-	-	-	-	73		
-	-	-	-	-	-	-	-	72		
-	1	1	1	1	1	1	1	1338705-1	DOCUMENTATION PACKAGE	71
-	-	-	-	-	-	-	-	-	-	70
-	-	-	-	-	-	-	-	-	-	69
-	-	-	-	-	-	-	-	-	-	68
-	1	1	1	1	1	1	1	461264-1	PLATE, IDENTIFICATION	67
-	2	2	2	2	2	2	2	21017-2	SCREW, DRIVE	66
-	-	-	-	-	-	-	-	-	-	65
-	1	1	1	1	1	1	1	986950-1	WASHER, FLAT PRECISION	64
-	1	1	1	1	1	1	1	3-18031-0	SCR, SET, CUP POINT M6 X 6.0	63
-	1	1	1	1	1	1	1	18023-9	SCR, SKT HD CAP M4 X 6.0	62
-	2	2	2	2	2	2	2	2-18032-5	SCR, SET, FLT POINT M5 X 20.0	61
-	1	1	1	1	1	1	1	18024-7	SCR, BTN SKT HD CAP (M4 X 10.0)	60
-	1	1	1	1	1	1	1	5-18022-2	SCR, HEX HD CAP M4 X 8.0	59
-	1	1	1	1	1	1	1	21028-2	PIN, SLOTTED SPRING .062 X .250	58
-	-	-	-	-	-	-	-	-	-	57
-	1	1	1	1	1	1	1	1338685-1	PAWL, FEED	56
-	-	-	-	-	-	-	-	-	-	55
-	4	4	4	4	4	4	4	18024-8	SCR, BTN SKT HD CAP (M4 X 12.0)	54
-	2	2	2	2	2	2	2	9-18023-6	SCR, SKT HD CAP M4 X 14.0	53
-	1	1	1	1	1	1	1	18030-1	NUT, HEX, REG M3	52
-	1	1	1	1	1	1	1	811242-5	BUMPER, HOLD DOWN	51
-	1	1	1	1	1	1	1	690753-2	SPACER, TONKER	50
-	1	1	1	1	1	1	1	18024-3	SCR, BTN SKT HD CAP (M3 X 10.0)	49
-	1	1	1	1	1	1	1	1338675-1	CAM, UNIVERSAL PRE FEED	48
-	1	1	1	1	1	1	1	1338676-1	CAM, UNIVERSAL POST-FEED	47
-	1	1	1	1	1	1	1	1320999-3	APPLICATOR SUBASSEMBLY, HDI	46
-	1	1	1	1	1	1	1	690191-1	PLUG, NYLON	45
-	1	1	1	1	1	1	1	1338660-1	RAM	44
-	1	1	1	1	1	1	1	690125-1	SHIM SUB-ASSY	43
-	1	1	1	1	1	1	1	690124-4	WASHER, RAM (.135)	42
-	1	1	1	1	1	1	1	2-18024-6	SCR, BTN SKT HD CAP (M8 X 25.0)	41
-	1	1	1	1	1	1	1	23241-1	BALL, STEEL	40
-	1	1	1	1	1	1	1	2-22278-7	SPRING, COMPRESSION	39
-	1	1	1	1	1	1	1	1320922-1	DISC, ADJUST, INSULATION CRIMP	38
-	1	1	1	1	1	1	1	354777-1	WIRE DISC, ASSEMBLY	37
-	1	1	1	1	1	1	1	22480-5	SPRING, COMPRESSION	36
-	1	1	1	1	1	1	1	690212-1	POST, RAM	35
-	1	1	1	1	1	1	1	1320934-1	SUPPORT, TERMINAL	34
-	2	2	2	2	2	2	2	1-18024-0	SCR, BTN SKT HD CAP (M4 X 20.0)	33
-	1	1	1	1	1	1	1	18027-2	WASHER, FLAT, REG M4	32
-	1	1	1	1	1	1	1	1-18023-2	SCR, SKT HD CAP M4 X 12.0	31
-	1	1	1	1	1	1	1	1320908-4	SPACER, STRIP GUIDE	30
-	1	1	1	1	1	1	1	1633073-1	STRIP GUIDE ASSEMBLY	29
-	1	1	1	1	1	1	1	1-455888-0	SPACER, CRIMPER	28
-	2	2	2	2	2	2	2	1-22284-0	SPRING, COMPRESSION	27
-	1	1	1	1	1	1	1	356835-1	LEVER, DRAG RELEASE	26
-	1	1	1	1	1	1	1	240792-1	DRAG, TERMINAL	25
-	1	1	1	1	1	1	1	1320928-1	PLATE, STRIP GUIDE	24
-	1	1	1	1	1	1	1	980371-4	SCR, SKT HD SHLRD 5.0 DIA X 6.0	23
-	1	1	1	1	1	1	1	690472-2	STRIPPER	22
-	1	1	1	1	1	1	1	1-18023-1	SCR, SKT HD CAP M4 X 10.0	21
-	4	4	4	4	4	4	4	18025-2	WASHER, SPRG LOCK, REG M4	20
-	-	-	-	-	-	-	-	690472-1	STRIPPER	19
-	-	-	-	-	-	-	-	-	-	18
-	1	1	1	1	1	1	1	1338684-1	SHEAR HOLDER, FRONT	17
-	-	-	-	-	-	-	-	-	-	16
-	-	-	-	-	-	-	-	-	-	15
-	-	-	-	-	-	-	-	-	-	14
-	-	-	-	-	-	-	-	-	-	13
-	1	1	1	1	1	1	1	3-22280-3	SPRING, COMPRESSION	12
-	1	1	1	1	1	1	1	356885-4	STOP, SHEAR	11
-	-	1	1	1	1	1	1	1320921-1	SHEAR HOLDER, FRONT, CUT	10
-	1	1	1	1	1	1	1	462006-1	FLOATING SHEAR, FRONT	9
1	2	2	2	1	1	1	1	6-1633139-3	ANVIL, COMBINATION	8
-	1	1	1	1	1	1	1	240641-5	SPACER	7
-	-	-	-	-	-	-	-	-	-	6
-	1	1	1	1	1	1	1	854772-1	DEPRESSOR, SHEAR	5
-	1	1	1	1	1	1	1	2-238011-2	BLOCK, CRIMPER SPACER	4
1	2	2	2	1	1	1	1	5-1424909-5	CRIMPER, INSULATION F	3
-	1	1	1	1	1	1	1	455888-8	SPACER, CRIMPER	2
1	2	2	2	1	1	1	1	3-456402-5	CRIMPER, WIRE PREMIUM	1
-77	-76	-72	-71	-6	-2	-1		PART NO	DESCRIPTION	ITEM NO

DIMENSIONS: mm [IN] 9 PLC ±.125 1 PLC ±.250 4 PLC ±.005 4 PLC ANGLES ±.005	TOLERANCES UNLESS OTHERWISE SPECIFIED: 9 PLC ±.125 1 PLC ±.250 4 PLC ±.005 4 PLC ANGLES ±.005	DWN: 18 JUNE 2008 ECR: M. BETISS APVD: 18 JUNE 2008 PRODUCT SPEC: M. CLIFFORD APPLICATION SPEC: See Table MATERIAL: - FINISH: - WEIGHT: - CUSTOMER DRAWING: -	Tyco Electronics Harrisburg, PA 17105-3608 SIDE FEED HDI APPLICATOR SIZE: A CAGE CODE: 00779 DRAWING NO: 1426676 SCALE: 3:5 SHEET 1 OF 1 REV: A
--	---	---	--