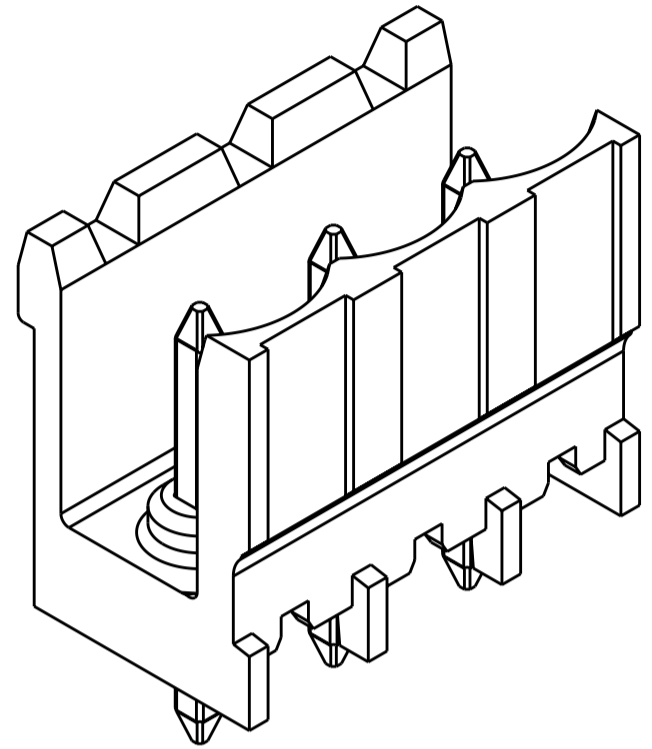
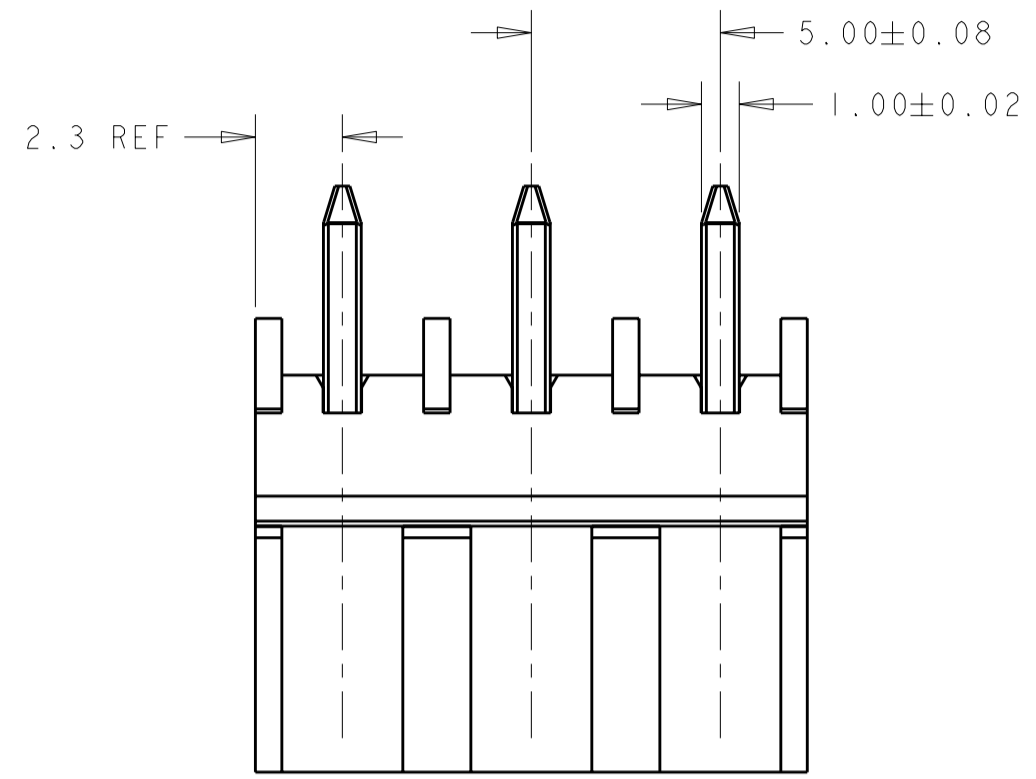


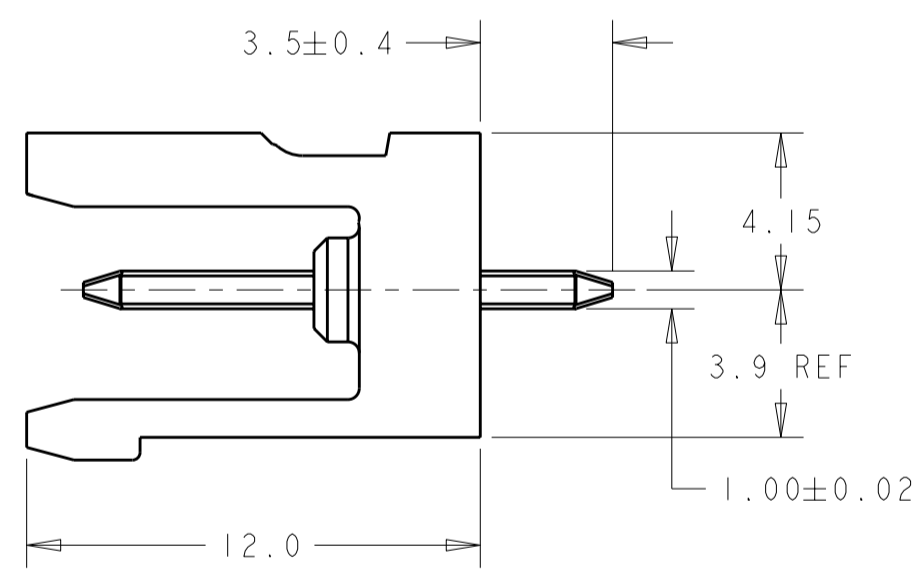
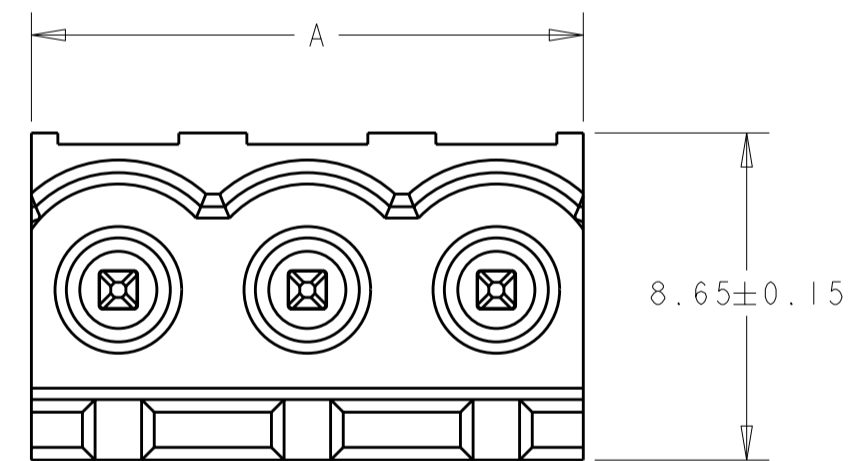
THIS DRAWING IS UNPUBLISHED. RELEASED FOR PUBLICATION 20
 © COPYRIGHT 20 Tyco Electronics AMP GmbH ALL RIGHTS RESERVED.

LOC	DIST	REVISIONS			
P	LTR	DESCRIPTION	DATE	DWN	APVD
FT	0	A2	REVISED PER ECO-12-007711	26APR2012	KH MS

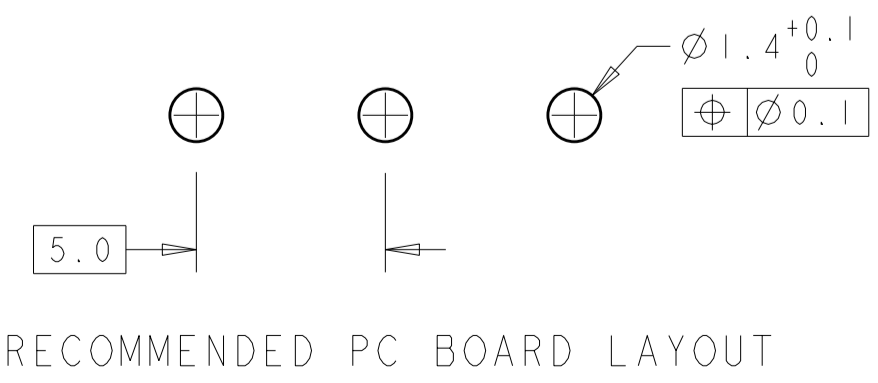


1776138-3 AS SHOWN

- 1. MATERIALS AND FINISH
 HOUSING: HIGH TEMPERATURE POLYAMIDE, UL 94V-0 RATED,
 COLOR: BLACK.
 TERMINAL: COPPER ALLOY, TIN PLATED.
- 2. SUITABLE FOR 1,6-2,4mm PC BOARD THICKNESS.
- 3. END-TO-END STACKABLE WITHOUT LOSS OF CENTERLINE SPACING.
- 4. RECOGNIZED UNDER THE COMPONENT PROGRAM OF UNDERWRITERS LABORATORIES INC., FILE N° E60677.
- 5. IMQ CERTIFICATE WITH SURVEILLANCE IN CONFORMITY WITH IEC 998-1/998-2-1.
- 6. UL RATING: 300V, 15A.



59.6	12	1-1776138-2
54.6	11	1-1776138-1
49.6	10	1-1776138-0
44.6	9	1776138-9
39.6	8	1776138-8
34.6	7	1776138-7
29.6	6	1776138-6
24.6	5	1776138-5
19.6	4	1776138-4
14.6	3	1776138-3
9.6	2	1776138-2



THIS DRAWING IS A CONTROLLED DOCUMENT.

DIMENSIONS:	TOLERANCES UNLESS OTHERWISE SPECIFIED:	DWN S. WELDON 03JUN2005	TE Connectivity
mm	0 PLC ±-	CHK C. RICHARD 03JUN2005	
	1 PLC ±.2	APVD C. RICHARD 03JUN2005	
	2 PLC ±.25	PRODUCT SPEC 108-20166	
	3 PLC ±-	APPLICATION SPEC 114-20079	NAME: TERMINAL BLOCK HEADER ASSEMBLY 180 DEGREE, OPEN ENDS, STACKING 5.00mm PITCH
	4 PLC ±-	WEIGHT -	SIZE: A2 CAGE CODE: C-1776138 DRAWING NO: 1776138
MATERIAL	FINISH	CUSTOMER DRAWING	RESTRICTED TO: -
		SCALE 5:1	SHEET 1 OF 1 REV A2