

Fig.1 : PLATING SPECIFICATION (40:1)

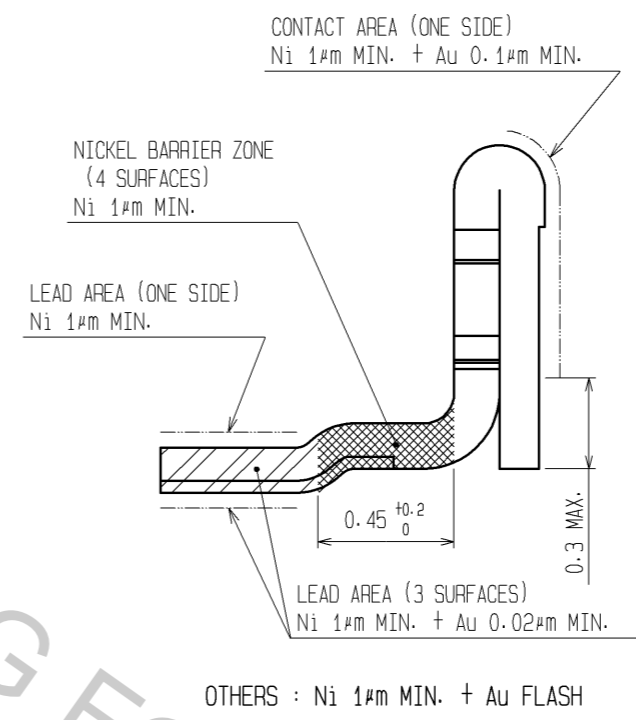


Fig.3 : A-A CROSS SECTION VIEW

Fig.2 : RECOMMENDED PATTERN

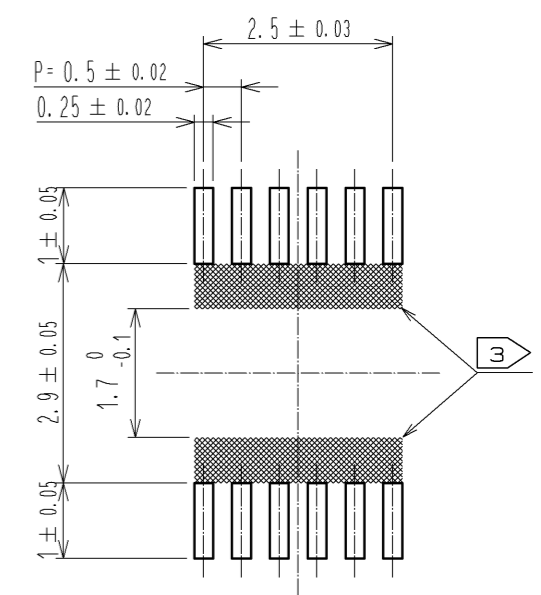
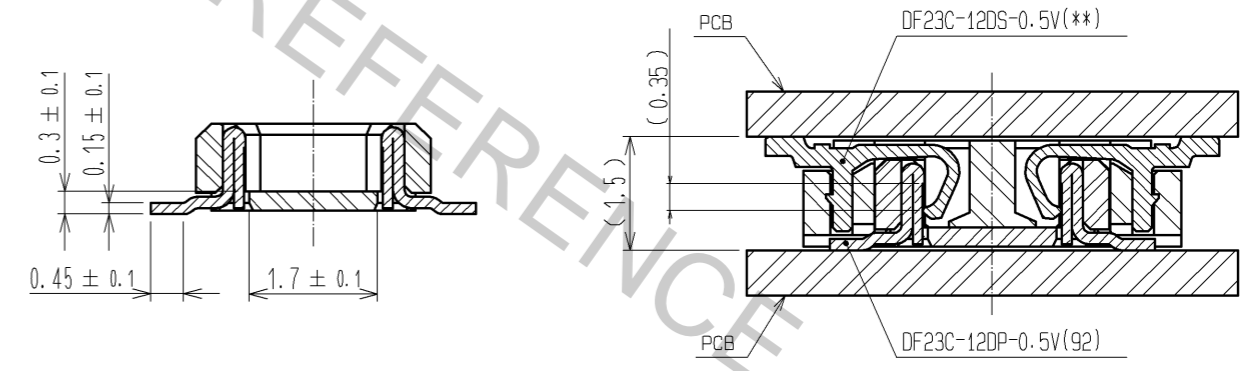


Fig.4 : MATING VIEW



NOTES 1 LEAD CO-PLANARITY SHALL BE 0.1mm MAX.  
 ② REFER TO Fig.1  
 ③ WHEN A PART MARKED WITH HAS A PATTERN BUT NO RESIST ON IT, TAKE CARE TO PREVENT THE CONNECTOR FROM TOUCHING IT.

2	PHOSPHOR BRONZE	②	5	PS	BLACK(PLASTIC REEL)
1	LCP	BLACK, UL94V-0	4	POLYESTER	CLEAR(COVER TAPE)
			3	PS	CLEAR(EMBOSSED CARRIER TAPE)
NO.	MATERIAL	FINISH, REMARKS	NO.	MATERIAL	FINISH, REMARKS
UNITS mm		SCALE 10:1	COUNT △	DESCRIPTION OF REVISIONS	DESIGNED
<b>HRS</b> HIROSE ELECTRIC CO., LTD.		APPROVED : KH. IKEDA 09.05.20	DRAWING NO. EDC3-302689-04		
		CHECKED : TS. MIYAZAKI 09.05.19	PART NO. DF23C-12DP-0.5V(92)		
		DESIGNED : TR. YUNOKI 09.05.19	CODE NO. CL688-0809-0-92		
		DRAWN : TR. YUNOKI 09.05.19	DATE		

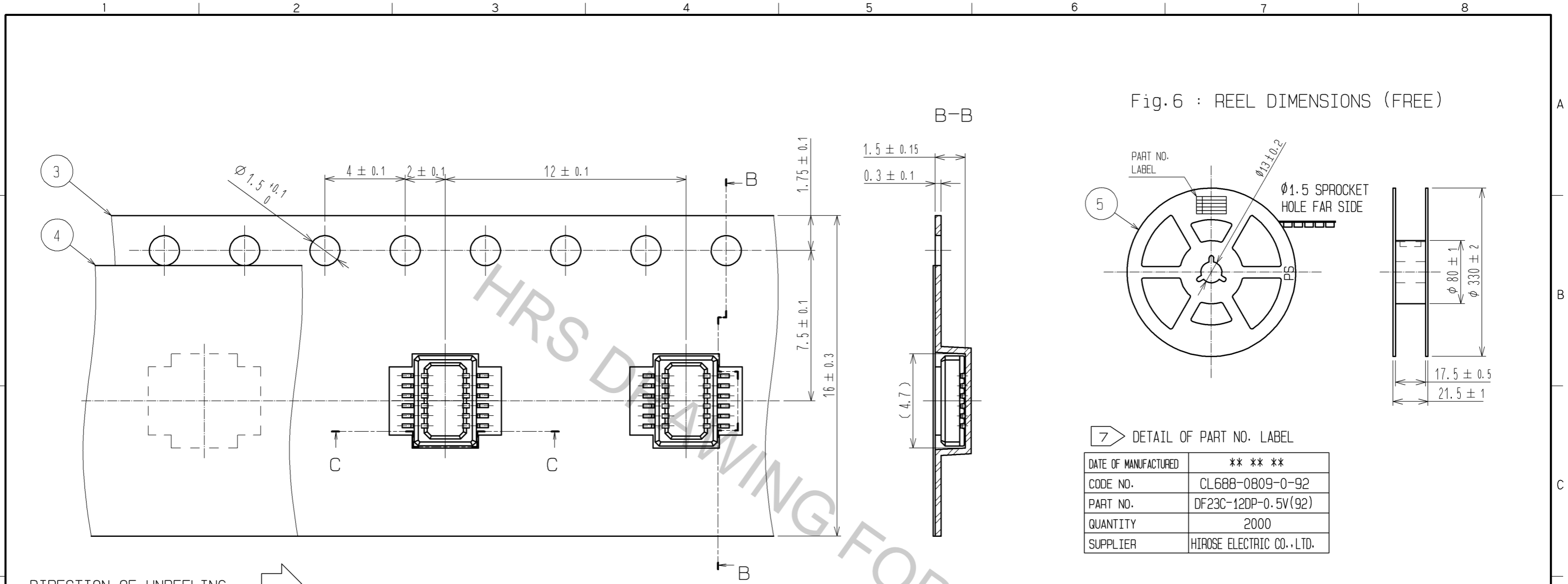
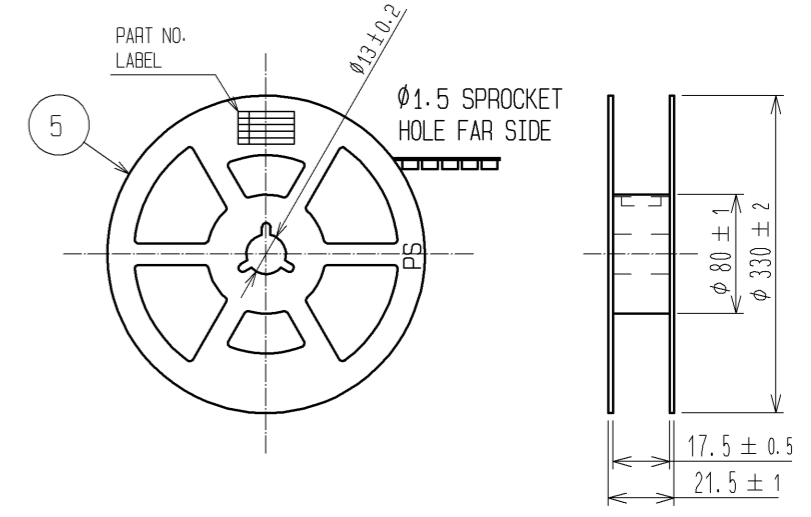


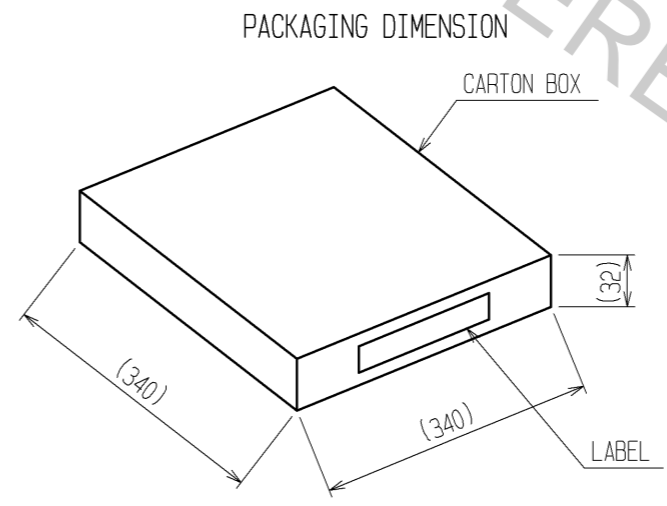
Fig.6 : REEL DIMENSIONS (FREE)



7 DETAIL OF PART NO. LABEL

DATE OF MANUFACTURED	** ** *
CODE NO.	CL688-0809-0-92
PART NO.	DF23C-12DP-0.5V(92)
QUANTITY	2000
SUPPLIER	HIROSE ELECTRIC CO.,LTD.

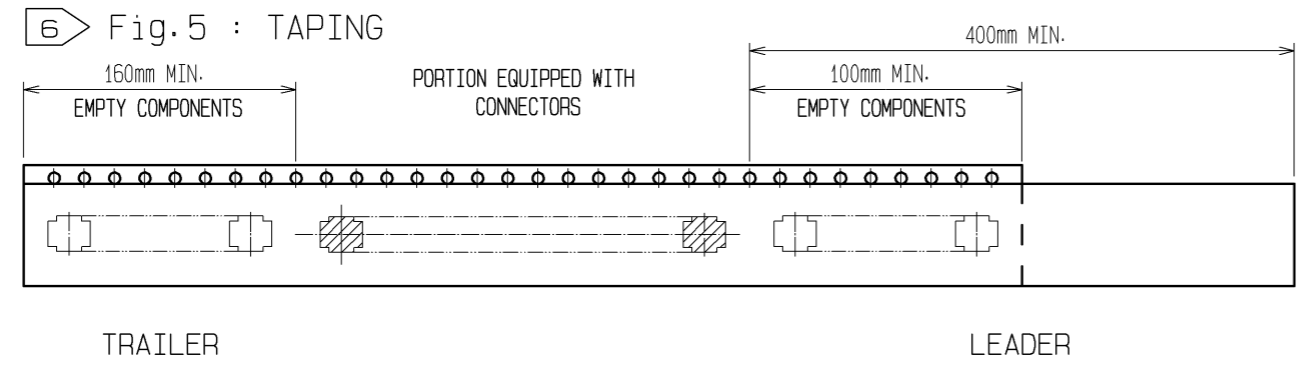
Fig.7 : PACKAGING SPECIFICATION (FREE)



DETAIL OF LABEL

品名	688-0809-0-92	数量	1RL
PART NO.	DF23C-12DP-0.5V(92)	QTY	2000 個

CODE NO. NUMBER OF REELS PER BOX  
PART NO. NUMBER OF PRODUCTS PER REEL



- NOTES
- 4 PER REEL 2000 CONNECTORS
  - 5 THE DIMENSIONS IN PARENTHESES ARE FOR REFERENCE
  - 6 REFER TO JIS C 0806 (PACKAGING OF COMPONENTS FOR AUTOMATIC HANDLING)
  - 7 DETAIL OF PART NO. LABEL IS WRITTEN IN JAPANESE.

<b>HRS</b>	DRAWING NO.	EDC3-302689-04
	PART NO.	DF23C-12DP-0.5V(92)
	CODE NO.	CL688-0809-0-92
		△ 2/2