

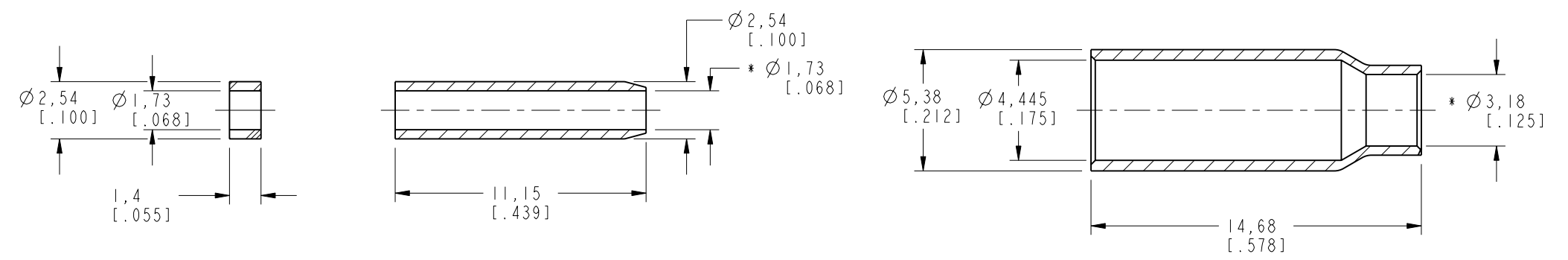
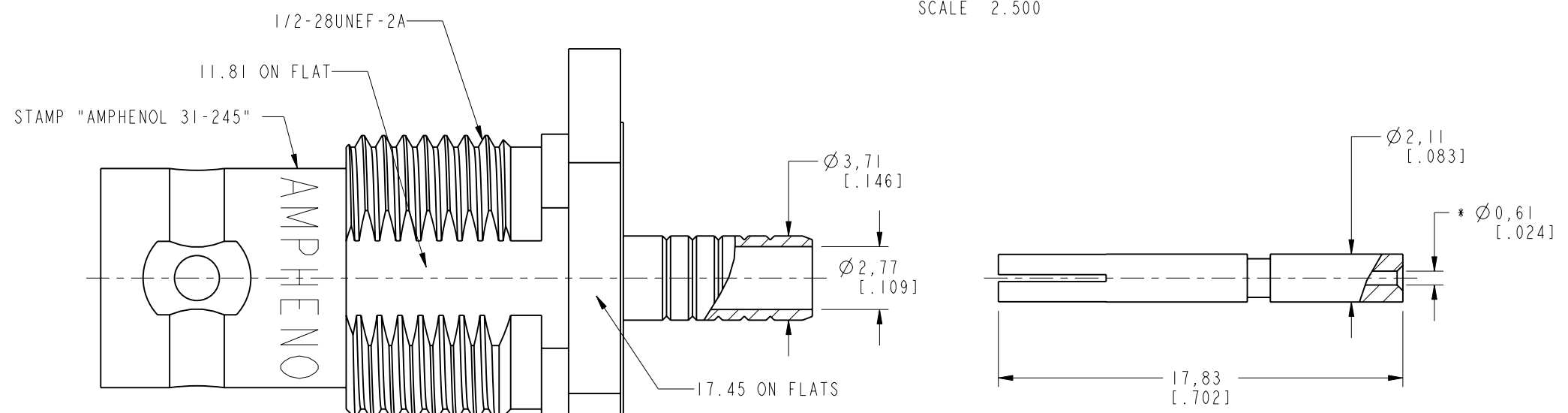
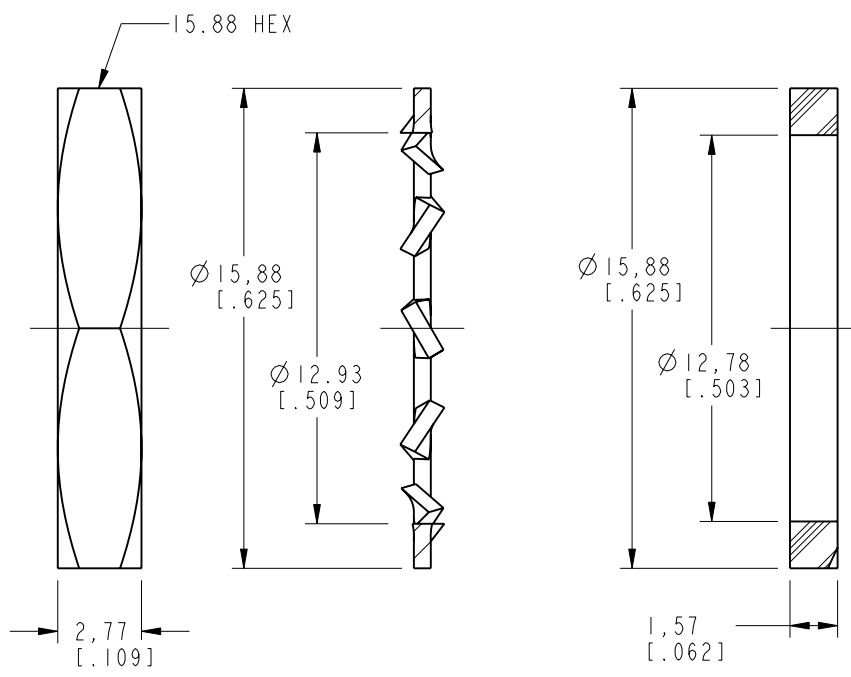
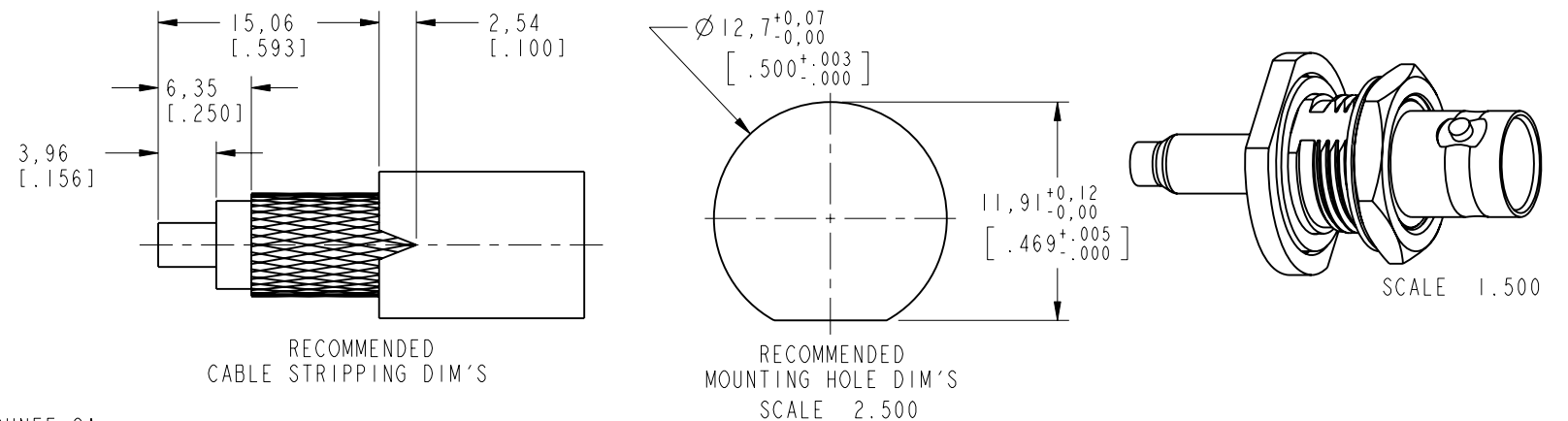
NOTES:

- MATERIALS AND FINISHES(PLATING THICKNESS IN MICRO-INCHES):
 BODY - BRASS, NICKEL PLATING
 CONTACT - PHOSPHOR BRONZE, GOLD PLATING
 INSULATOR - PTFE,NATURAL
- WHEN CRIMPING CONTACT PIN TO CABLE, CRIMP WITH AMPHENOL TOOL 227-944 (M22520/5-01) AND DIE SET 227-1221-09, CAVITY 'B'(M22520/5-09,CLOSURE 'B'). 227-1221-09 CAVITY 'B' HAS A HEX SIZE OF .068"
- WHEN CRIMPING FERRULE TO CABLE, CRIMP WITH AMPHENOL TOOL 277-944 (M22520/5-01) AND DIE SET 227-1221-09, CAVITY 'A' (M22520/5-09,CLOSURE 'A'). 227-1221-09 CAVITY 'A' HAS A HEX SIZE .178"
- MAX. PANEL THICKNESS=6.35mm
- PACKAGE IN BAG 999-226,MARK PACKAGING BAG" R 5A 500V"
- ASTERISK (*) INDICATES CABLE ENTRY DIM'S

THIRD ANGLE PROJ.

REVISIONS

REV	DESCRIPTION	DATE	ECO	APPR
V	SYNCH THE DRAWING WITH DANBURY\RD-DM11061601R3	23-Jun-11	48640	RM



CUSTOMER OUTLINE DRAWING
 ALL OTHER SHEETS ARE FOR INTERNAL USE ONLY

UNLESS OTHERWISE SPECIFIED, DIMENSIONS ARE IN METRIC AND TOLERANCES ARE: <0.5mm ±0.05mm 0.5 - 6mm ±0.1mm 6 - 30mm ±0.2mm 30 - 120mm ±0.3mm ANGLES ±1°	MATERIAL	DRAWN R. MAO	DATE 23-Jun-11	TITLE QUICK CRIMP BNC BULKHEAD JACK FOR CABLE RG161/U, RG187/U , RG179/U	Amphenol RF www.amphenolrf.com	
	NOTICE - These drawings, specifications, or other data (1) are, and remain the property of Amphenol corp. (2) must be returned upon request; and (3) are confidential and not to be disclosed to any person other than those to whom they are given by Amphenol Corp. the furnishing of these drawings, specifications, or other data by Amphenol Corp., or to any other person to anyone for any purpose is not to be regarded by implication or otherwise in any manner licensing, granting rights to permitting such holder or any other person to manufacture, use or sell any product, process or design, patented or otherwise, that may in any way be related to or disclosed by said drawings, specifications, or other data.	REFERENCE AND CONFIGURATION LEVEL: <input type="checkbox"/> <input type="checkbox"/> <input type="checkbox"/>	ENGINEER D. ROYCE			DATE 8/11/89
	FINISH	APPROVED S. HSIEH	DATE 23-Jun-11	SCALE: 4.0:1.0 SHEET 2 OF 2	ITEM NO. 31-245	
		CAD FILE		DWG SIZE B	REV V	PART NO. 31-245