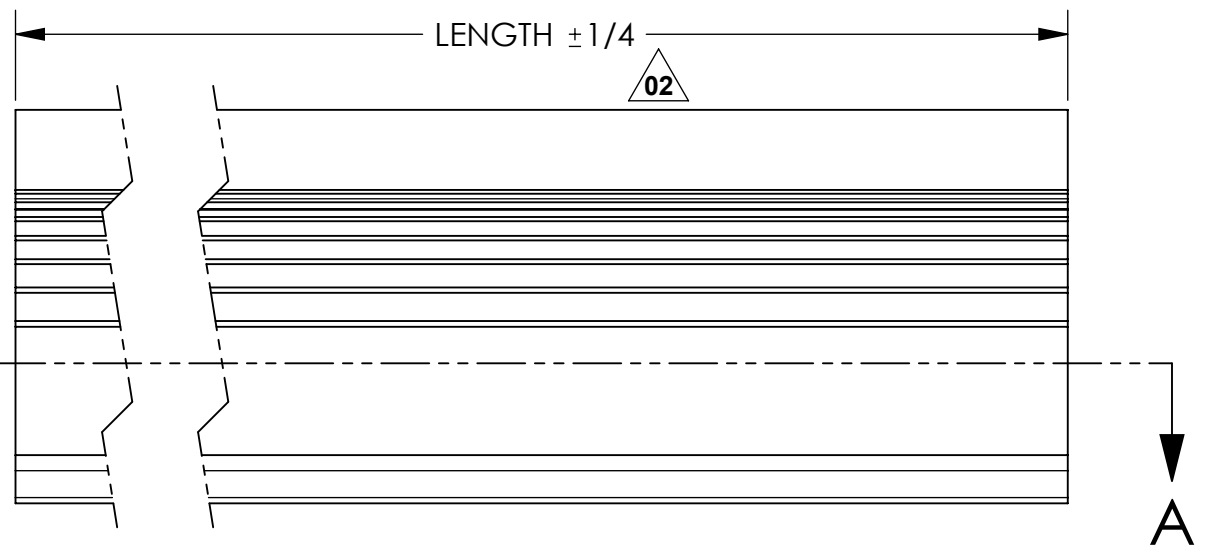
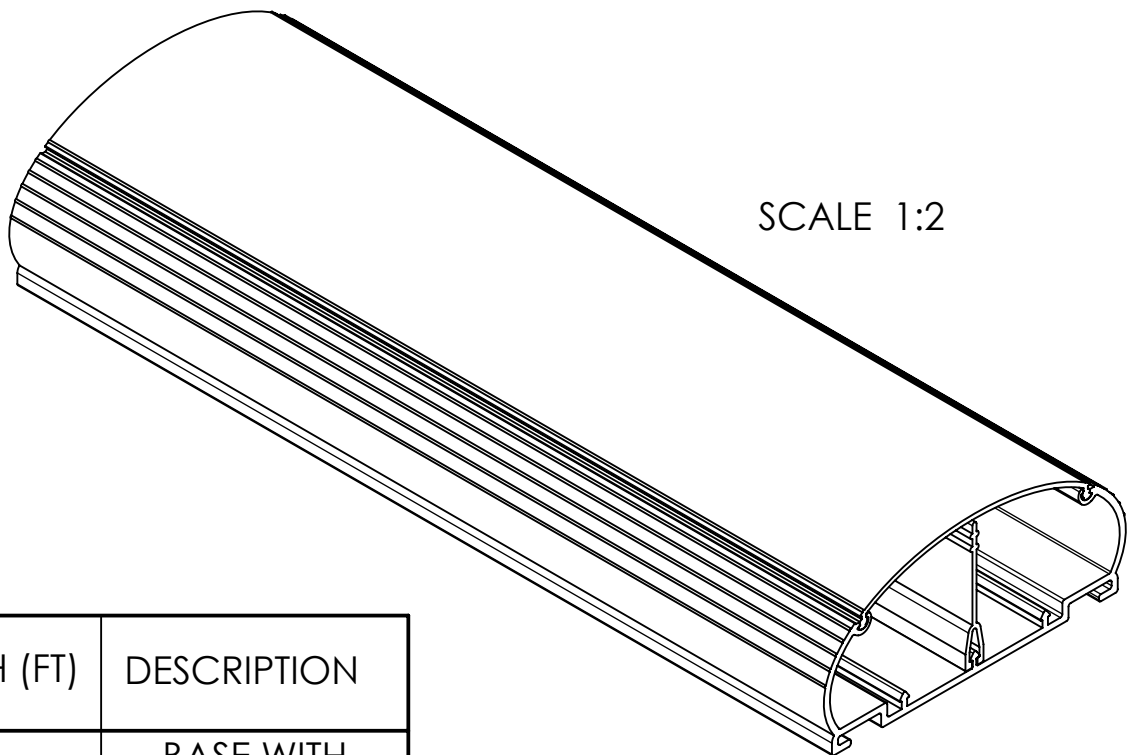


SECTION A-A

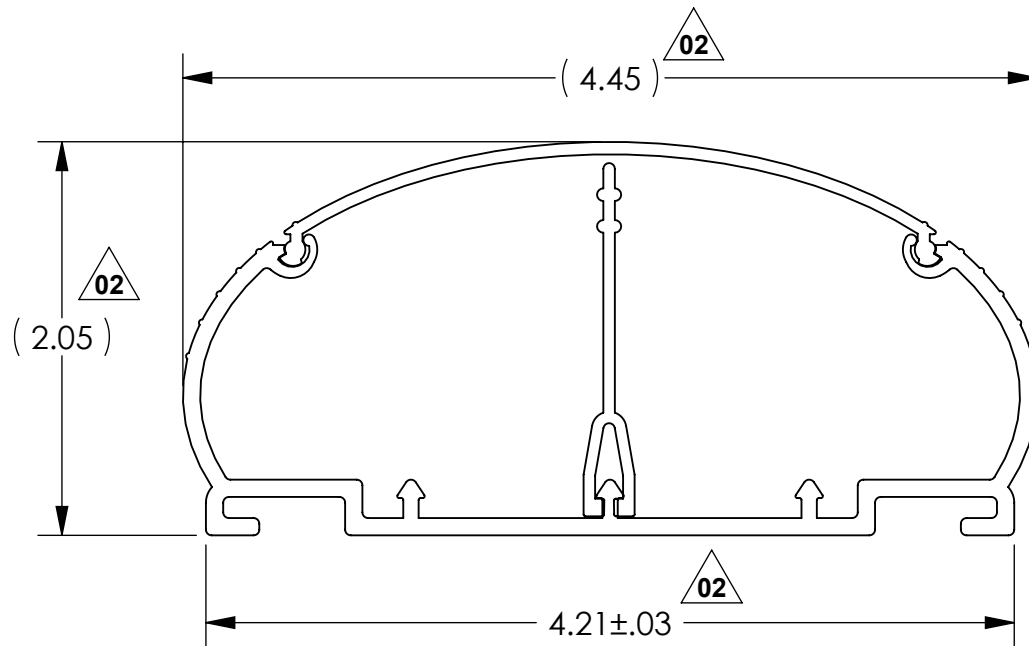


.50 X .20 SLOT
SPACED EVERY 8 INCHES



SCALE 1:2

PART NUMBER	LENGTH (FT)	DESCRIPTION
MCRX-B8	8	BASE WITH CENTER DIVIDER
MCRX-B10	10	
MCRX-C8	8	COVER
MCRX-C10	10	



PART NO. DESCRIPTION

MCRX-xx

COLOR: CONTACT FACTORY FOR AVAILABLE COLORS.

HellermannTyton®

ALL PROPRIETARY RIGHTS IN THE SUBJECT MATTER SHOWN ON THIS DRAWING ARE EXCLUSIVE PROPERTY OF HELLERMANNTYTON

name	date	city	state

NOTES

1) DIVIDER AND COVER NOT FIXED IN PLACE (AS SHOWN) WHEN SHIPPED.

REVISION

level	02
by	AAC
date	01/23/2008
ECN #	010926
part level	-

TOLERANCES

.XXXX = ±.0005
 .XXX = ±.005
 .XX = ±.02 (with .02 tolerance symbol)
 .X = ±.03
 ∠ = ±0.5°
 unless otherwise specified

units inches

PART

number	SEE CHART	phase	Production
name	MULTI-CHANNEL RACEWAY WITH CENTER DIVIDER		
material	PVC		

DRAWING

format	B	CAD	SW 2007	scale	1:1
version N					
computer file number	DT2013101CST_02		previous number		
drawn	M.E.F.	checked	KAC	approved	
date	04/01/2001	checked	01/23/2008		
type	Customer			sheet 1 of 1	
number	DT2013101CST				