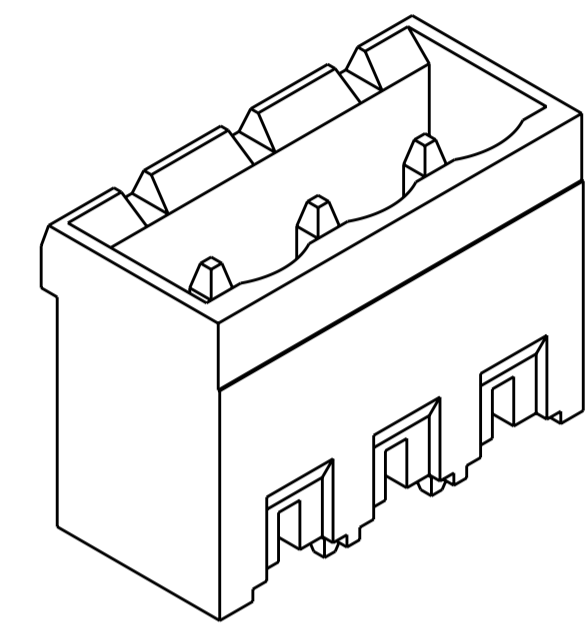
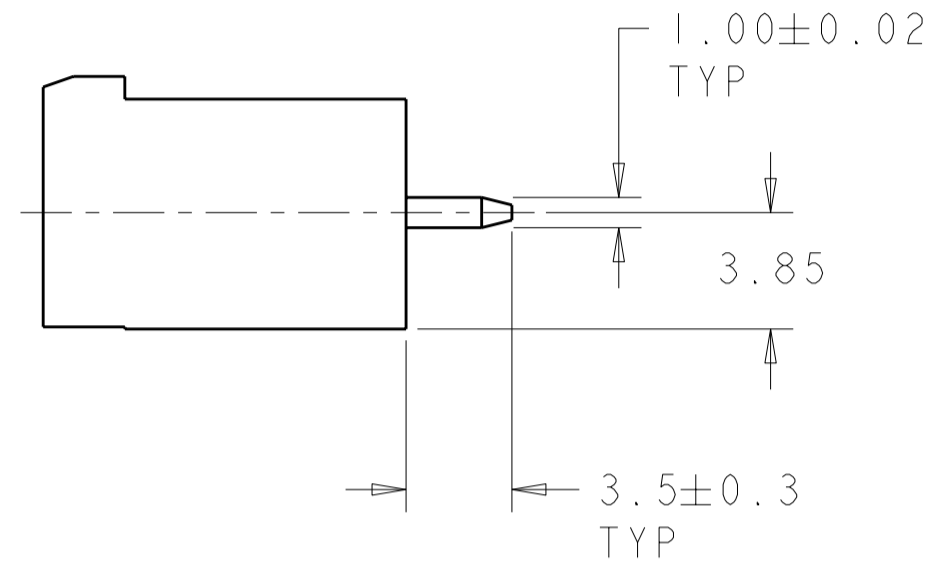
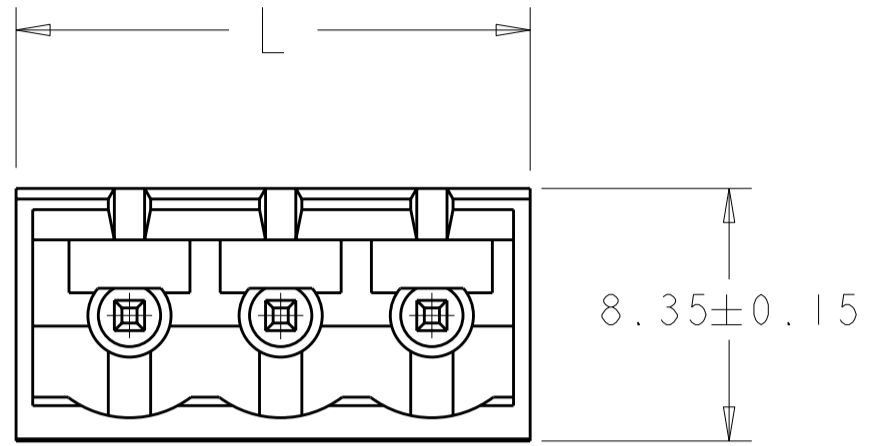
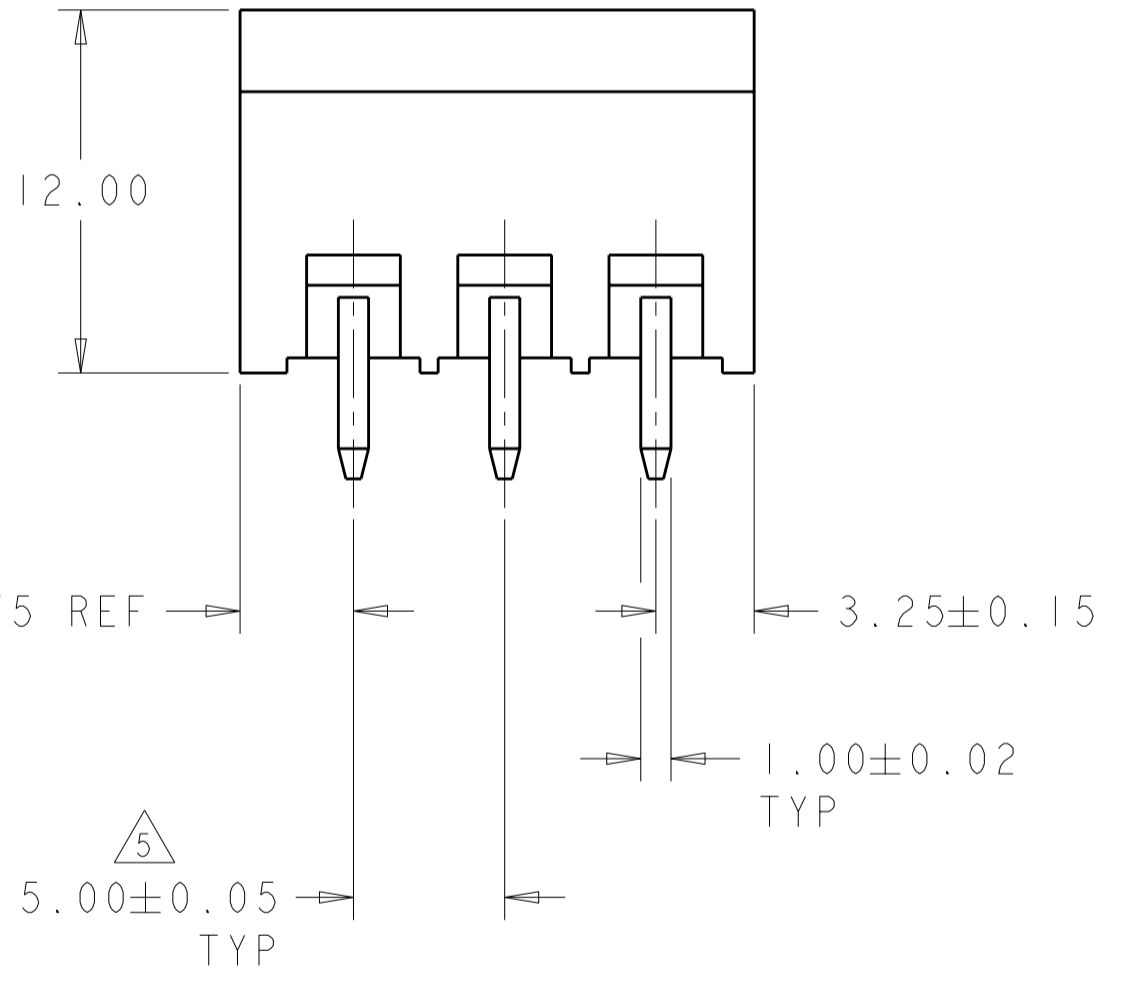


THIS DRAWING IS UNPUBLISHED. RELEASED FOR PUBLICATION 20  
 © COPYRIGHT 20 BY - ALL RIGHTS RESERVED.

LOC		DIST		REVISIONS			
P	LTR	DESCRIPTION	DATE	DWN	APVD		
	AI	REVISED PER ECO-12-007711	25APR2012	KH	MS		



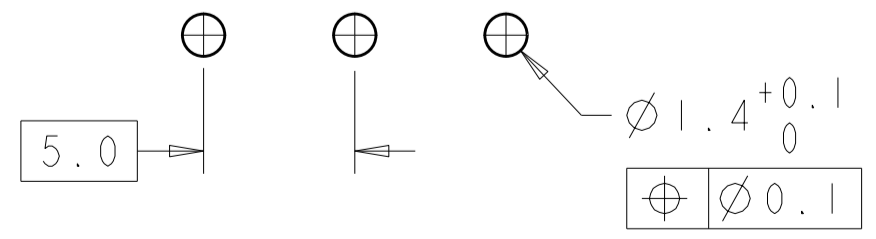
796699-3 AS SHOWN



- ⚠ MATERIALS AND FINISH:  
 HOUSING: PA 6-6, UL 94-V0, COLOR: BLUE.  
 TERMINAL: COPPER ALLOY, TIN PLATED.
- SUITABLE FOR 1,6-2, 4mm PC BOARD THICKNESS.
  - RECOGNIZED UNDER THE COMPONENT PROGRAM OF UNDERWRITERS LABORATORIES INC. FILE N° E60677.
  - IMQ CERTIFICATE WITH SURVEILLANCE IN CONFORMITY WITH IEC 998-1/998-2-1.)

⚠ NOT CUMULATIVE TOLERANCE

127.0	25	2-796699-5
122.0	24	2-796699-4
117.0	23	2-796699-3
112.0	22	2-796699-2
107.0	21	2-796699-1
102.0	20	2-796699-0
97.5	19	1-796699-9
92.0	18	1-796699-8
87.0	17	1-796699-7
82.0	16	1-796699-6
77.0	15	1-796699-5
72.0	14	1-796699-4
67.0	13	1-796699-3
62.0	12	1-796699-2
57.0	11	1-796699-1
52.0	10	1-796699-0
47.0	9	796699-9
42.0	8	796699-8
37.0	7	796699-7
32.0	6	796699-6
27.0	5	796699-5
22.0	4	796699-4
17.0	3	796699-3
12.0	2	796699-2
DIM L	NO OF POSN	PART NUMBER



RECOMMENDED PC BOARD LAYOUT

THIS DRAWING IS A CONTROLLED DOCUMENT.

DIMENSIONS:	TOLERANCES UNLESS OTHERWISE SPECIFIED:	DWN S.WELDON 02MAR2001	TE Connectivity
mm	0 PLC ±	CHK D.BIEVENOUR 02MAR2001	
	1 PLC ±0.2	APVD D.BIEVENOUR 02MAR2001	
	2 PLC ±	PRODUCT SPEC	
	3 PLC ±	APPLICATION SPEC	NAME
	4 PLC ±	WEIGHT	TERMINAL BLOCK HEADER ASSEMBLY, 180 DEGREE, CLOSED ENDS, 5.00mm PITCH
MATERIAL	FINISH	CUSTOMER DRAWING	SIZE
			A200779C-796699
			SCALE 4:1
			SHEET OF REV AI