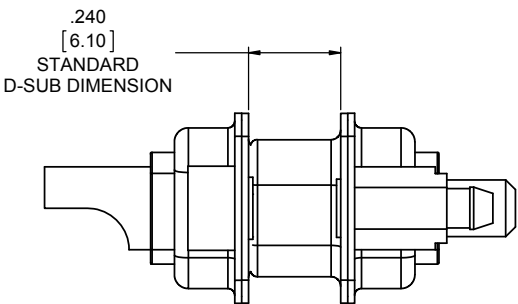
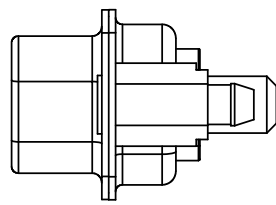
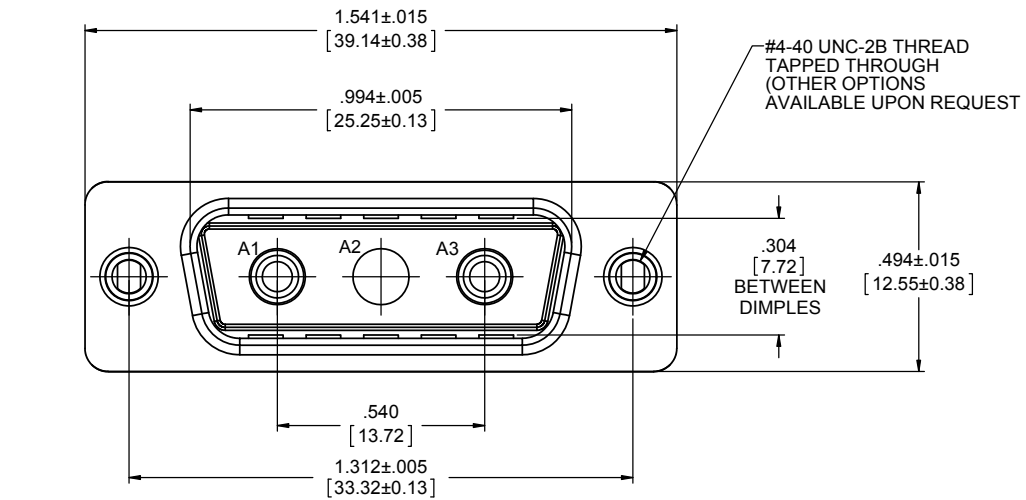
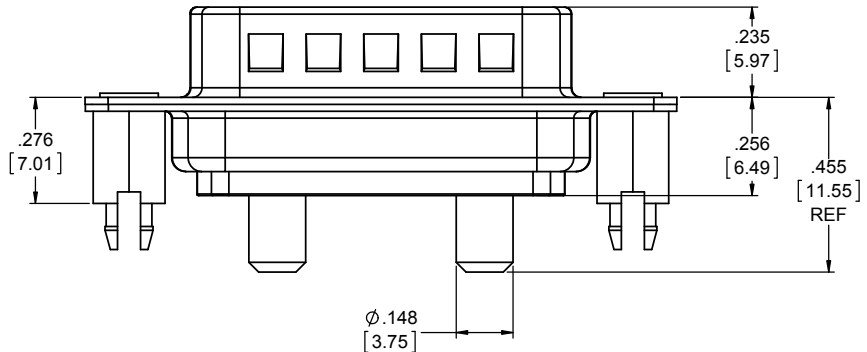


| REVISIONS | | | |
|-----------|------------------------------|----------|------|
| REV | DESCRIPTION, ECN, EAR NO. | DATE | APPD |
| A | PROPOSAL DRAWING (EAR 13920) | JUL28/11 | S.M |
| | | | |

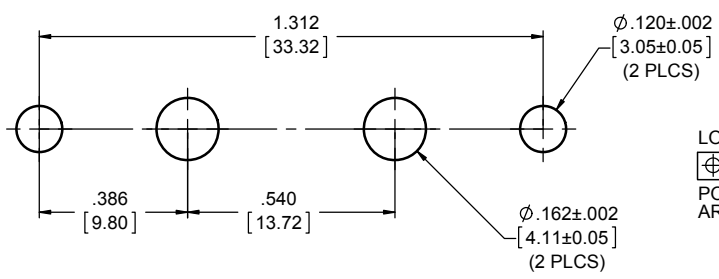


END VIEW IN MATED CONDITION
(MATED TO P/N LCC17-A3W3SM-4N1)



NOTE:

- MATERIALS: ALL MATERIALS ARE RoHS COMPLIANT PER EU DIRECTIVE 2002/95/EC AND AMENDMENTS.
 - SHELLS - STAMPED STEEL, TIN OVER NICKEL PLATED
 - INSULATOR - ENGINEERING THERMOPLASTIC, GLASS REINFORCED, HIGH TEMPERATURE RESISTANT, UL FLAMMABILITY RATING 94V-0, BLACK
 - CONTACTS - COPPER ALLOY, PLATED WITH NICKEL FOLLOWED BY 30 µm [0.76 µm] GOLD ON THE MATING AREA AND GOLD ON THE TAILS
 - BOARDLOCK - COPPER ALLOY, TIN PLATED
- ELECTRICAL CHARACTERISTICS
 - CURRENT RATING: 55 A PER CONTACT
 - CONTACT RESISTANCE: 5 MILLIOHMS MAX
 - OPERATING TEMPERATURE: -40°C TO +105°C



LOCATE HOLES
 $\text{⌀} 0.13[.005]$ DIA
 POSITION DIMENSIONS ARE BASIC

PART NUMBER: LCC17-A3W3PE-AN1

Amphenol Canada Corp.

LCC17 COOLPOWER D-SUB CONNECTOR, 3W3 ARRANGEMENT, PIN PCB TAIL POWER, #4-40 THREAD, BOARDLOCK, CONTACTS IN A1 & A3 ONLY, RoHS COMPLIANT

| | | | |
|----------------------------|------------------------|-----------|----------|
| UNLESS SPECIFIED OTHERWISE | DRAWN | S.CAELERS | JUL28/11 |
| PRIMARY UNITS INCHES | CHECKED | S.MUGAN | JUL28/11 |
| SECONDARY MILLIMETERS | M.E. APPD | | |
| REFERENCE IN PARENTHESES | Q.A. APPD | | |
| GENERAL TOLERANCES | DWG APPR. | | |
| 1 DECIMAL PLACE | ENG. REL. NO. | EAR 13920 | |
| 2 DECIMAL PLACES | REF. | | |
| 3 DECIMAL PLACES | THIRD ANGLE PROJECTION | | |
| ANGULAR DEGREES | DO NOT SCALE DRAWING | | |

| | |
|--------------------|--------------|
| DWG. NO. | REV |
| P-LCC17-A3W3PE-AN1 | A |
| CODE ID NO. 03554 | DWG SIZE: C |
| SCALE: 4:1 | SHEET 1 OF 1 |