

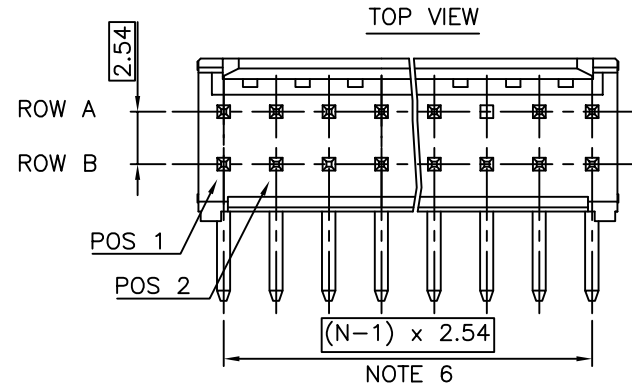
PRODUCT NUMBER
71994-YXXLF

RoHS COMPATIBLE, SEE NOTE 7

PLATING

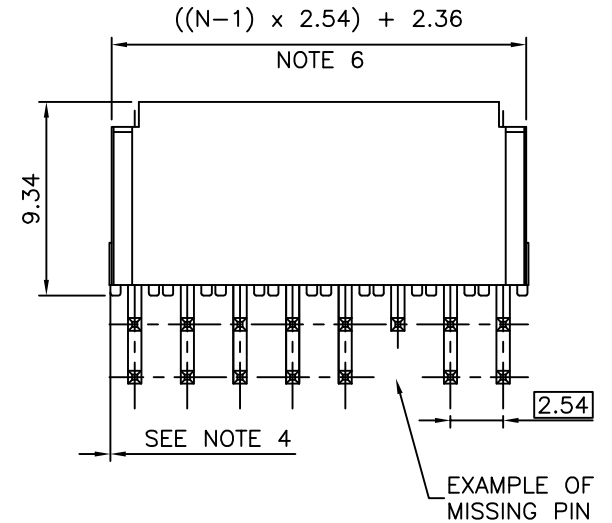
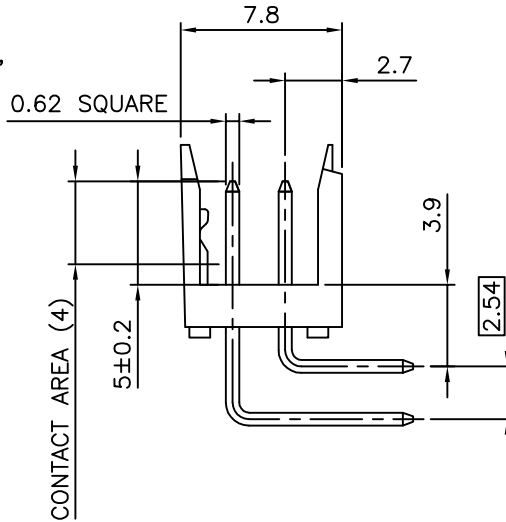
3= $0.76\mu\text{m}$ GOLD/GXT ON CONTACT AREA
 $2\mu\text{m}$ MIN MATTE TIN ON TAIL
 $1.27\mu\text{m}$ Ni MIN UNDERPLATING

STYLE	SIZE	OMIT PIN POSITION
01	2x08	A6
02	2x03	A3

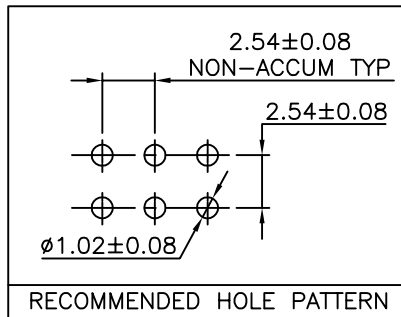


NOTES:

- BODY MATERIAL: POLYESTER 30% GLASSFILLED COLOR BLUE, FLAME RETARDANT PER UL-94 V0.
- CONTACT MATERIAL: PHOSPHOR BRONZE.
- 15N MIN PIN RETENTION IN EITHER DIRECTION
- 0.6 MAX PROTRUSION PERMITTED AT 4 PLACES
- PACKAGING :
- POLYBAGS FROM 2 x 02 TO 2 x 06 POSITIONS
- TUBE FROM 2 x 07 TO 2 x 36 POSITIONS
- TO DETERMINE DIMENSIONS :
N = NUMBER OF POSITIONS PER ROW
EXAMPLE : 8 POS N x 2.54 = 20.32mm
- RoHS COMPATIBLE PRODUCT SPECIFICATIONS
 - PLATING:
- "LF" MEANS THE PRODUCT IS LEAD-FREE,
 $2\mu\text{m}$ MINIMUM MATTE TIN OVER $1.27\mu\text{m}$
MINIMUM NICKEL UNDERPLATE.



- MANUFACTURING PROCESS COMPATIBILITY
- THE HOUSING WILL WITHSTAND EXPOSURE TO $245^{\circ}\text{C} \pm 5^{\circ}\text{C}$ SOLDER BATH TEMPERATURE FOR 5 SECONDS IN A WAVE SOLDER APPLICATION WITH A 1.6mm MIN THICK CIRCUIT BOARD.
- LABELING:
- MEETS PACKAGING SPECS AS PER GS-14-920
- LEGAL STATEMENT: SEE GS-47-0004



mat'l. code				surface		tolerance		projection		product family	
SEE NOTES				ISO 1302	ISO 406	ISO 1101	mm		DUBOX HDR		
ltr	ecn no	dr	date	tolerances unless otherwise specified		.XX ±0.3		title			
H	F-21810	AMA	15.06.19	linear	.XX ±0.15		scale 4:1		DUBOX, DR, RA SELECTED LOADED		
C	F05-0117	LMU	05.01.27		.XXX ±0.05		FCJ		dwg no 71994 sheet 1 of 1 size A3		
D	F05-0244	JCO	05.09.06	dr	P NIZZI	96.09.24	type CUSTOMER Drawing				
E	F06-0228	LMU	06.07.11	engr	JM PHAMVAN	96.09.24					
F	F08-0147	YOV	08.04.14	chr	P NIZZI	96.09.24					
G	B-19285	AMA	14.11.03	appd	JMP	96.09.24					
sheet index	revision sheet										