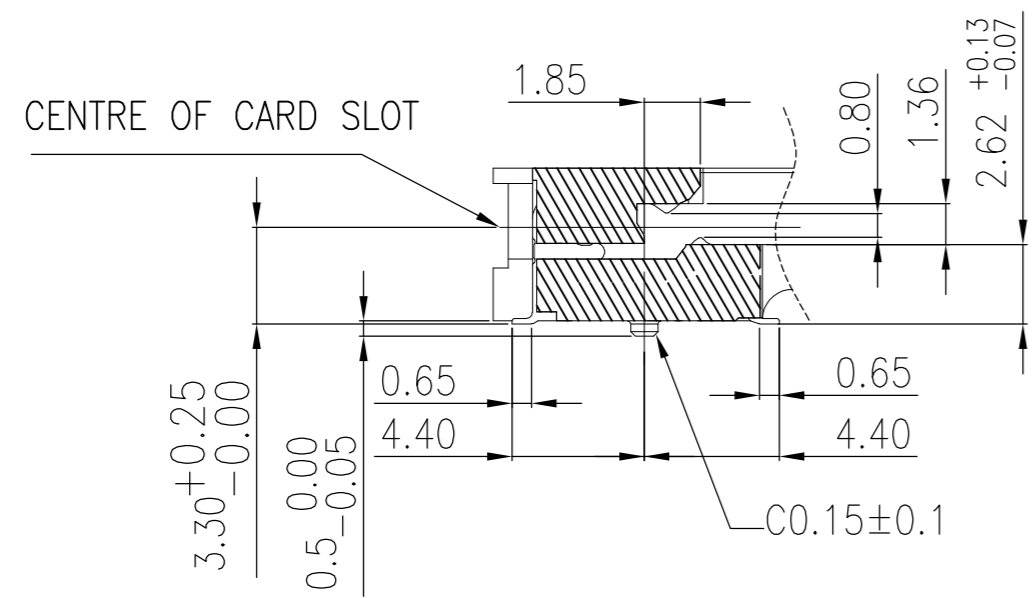
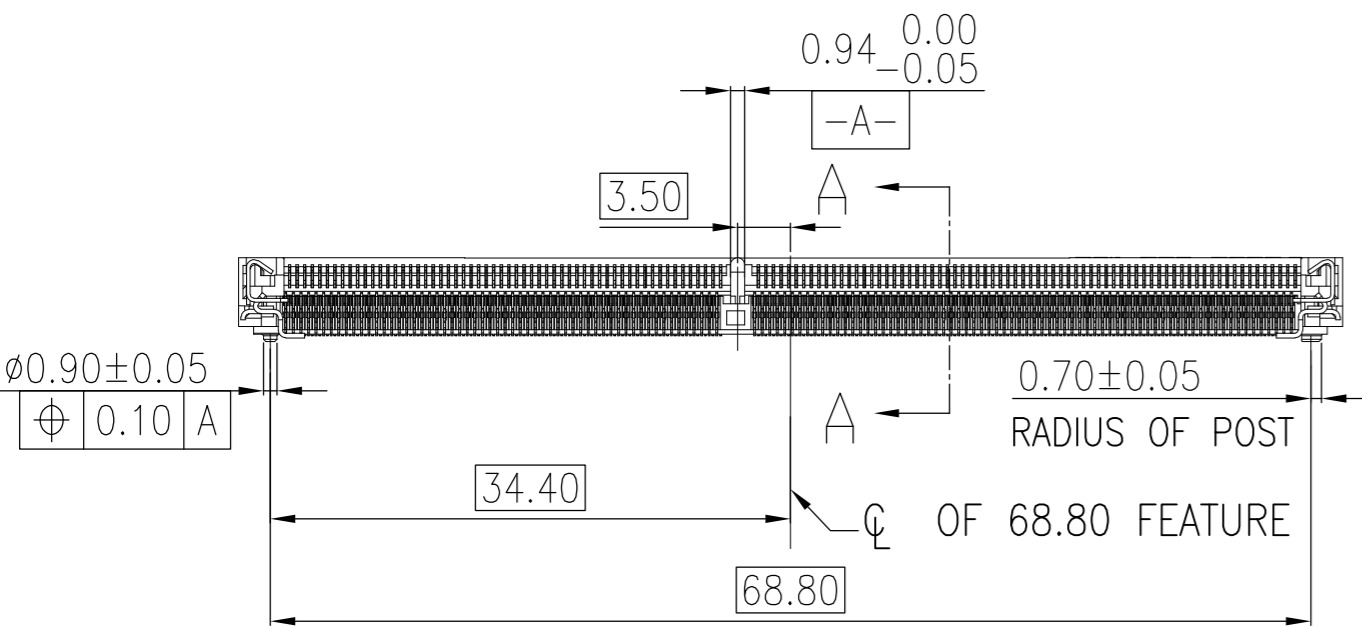
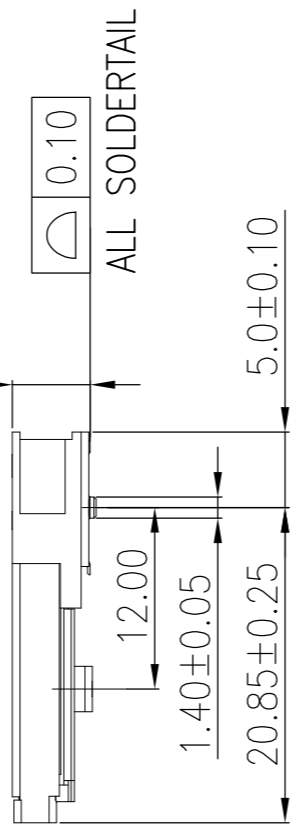
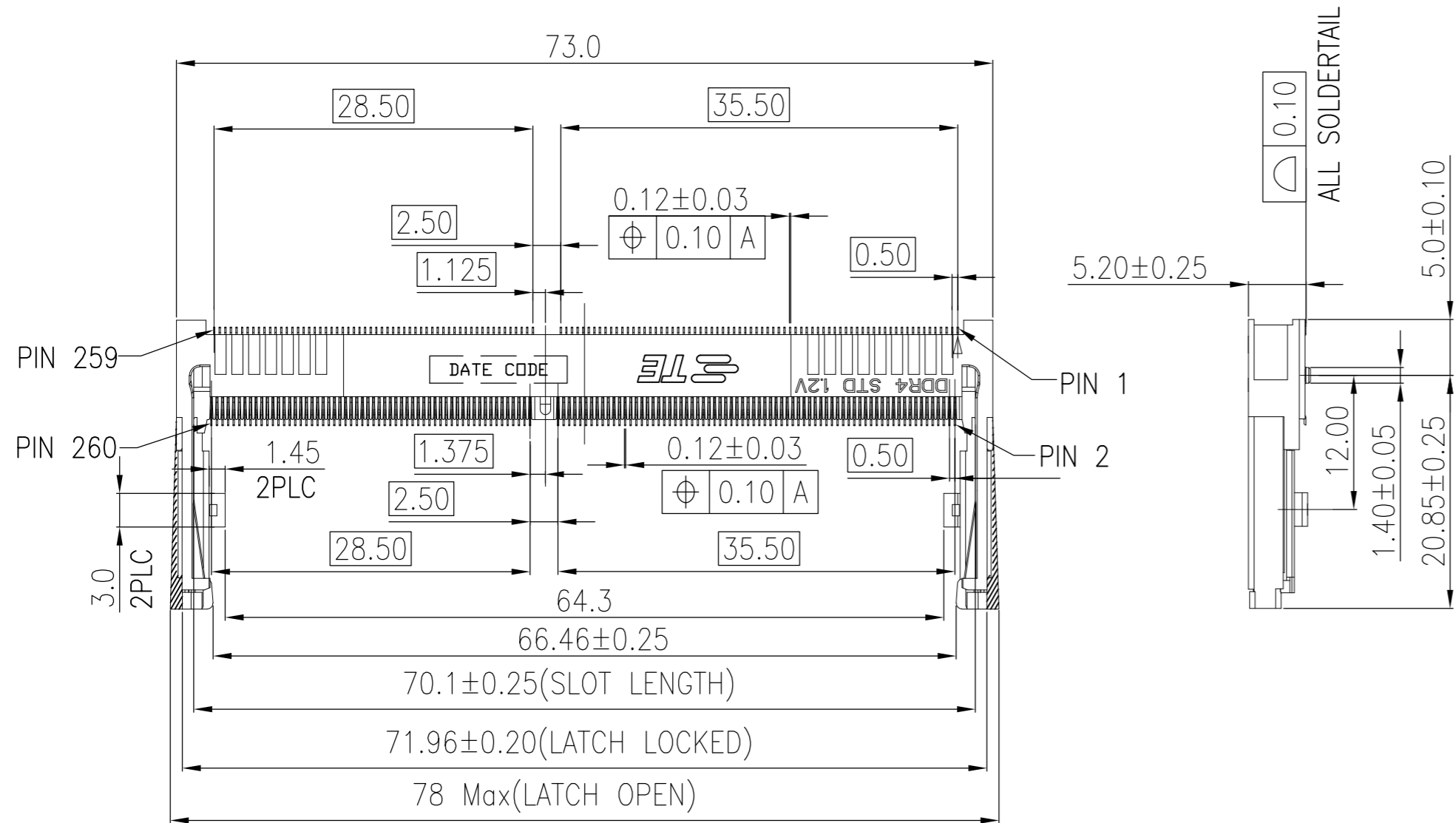


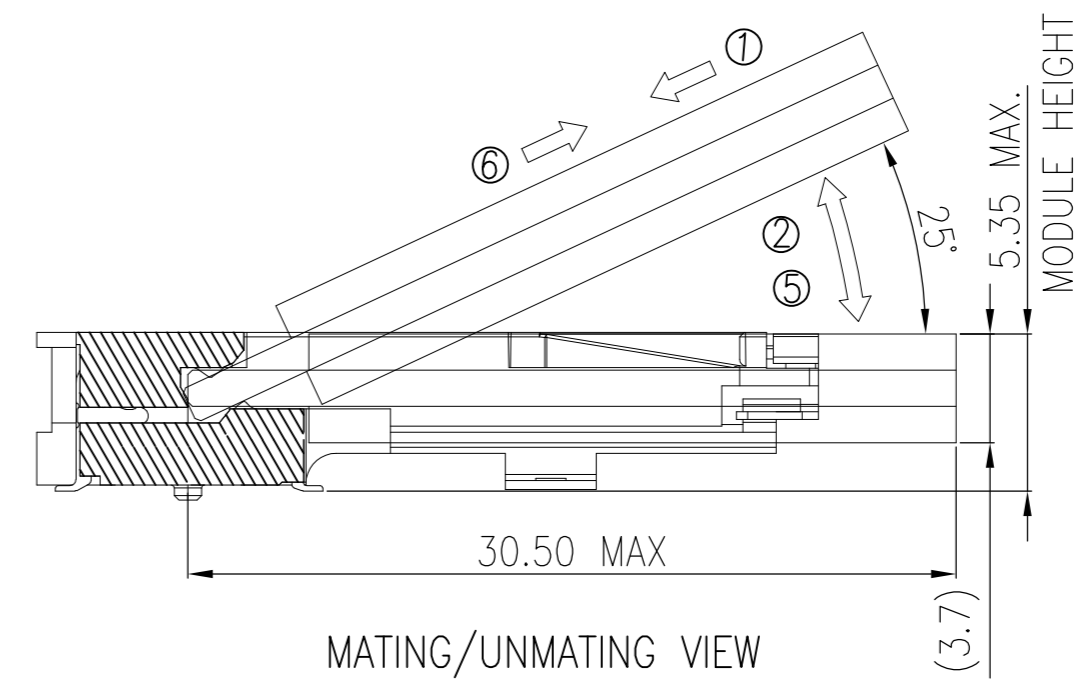
| REVISIONS | | | | | |
|-----------|-----|-------------|-----------|-----|------|
| P | LTR | DESCRIPTION | DATE | DWN | APVD |
| 3 | | REVISED | 18FEB2017 | D.Z | S.L |



SECTION:A-A
SCALE 2:1

NOTES:

- MATERIAL:
 - HOUSING: HIGH TEMPERATURE THERMO PLASTIC, UL94V-0, COLOR: BLACK.
 - CONTACT: COPPER ALLOY.
 - SOLDER PEG AND LATCH: STAINLESS STEEL.
- FINISH:
 - SOLDER PEG: GOLD FLASH ON 50u" MIN NICKEL UNDERPLATED ALL OVER.
 - CONTACT SOLDER AREA: GOLD FLASH ON SOLDER TAIL.
 - CONTACT AREA: GOLD FLASH ON 50u" MIN NICKEL UNDERPLATED ALL OVER.
 - CONTACT AREA: 5u" ON 50u" MIN NICKEL UNDERPLATED ALL OVER.
 - CONTACT AREA: 10u" ON 50u" MIN NICKEL UNDERPLATED ALL OVER.
 - CONTACT AREA: 15u" ON 50u" MIN NICKEL UNDERPLATED ALL OVER.
 - CONTACT AREA: 30u" ON 50u" MIN NICKEL UNDERPLATED ALL OVER.
- COPLANARITY: 0.10 MAX.



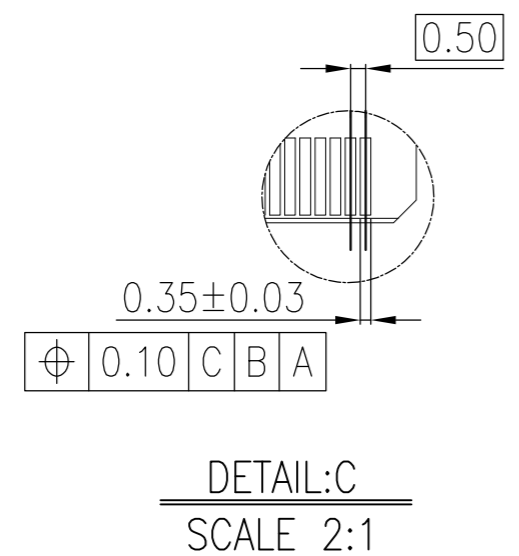
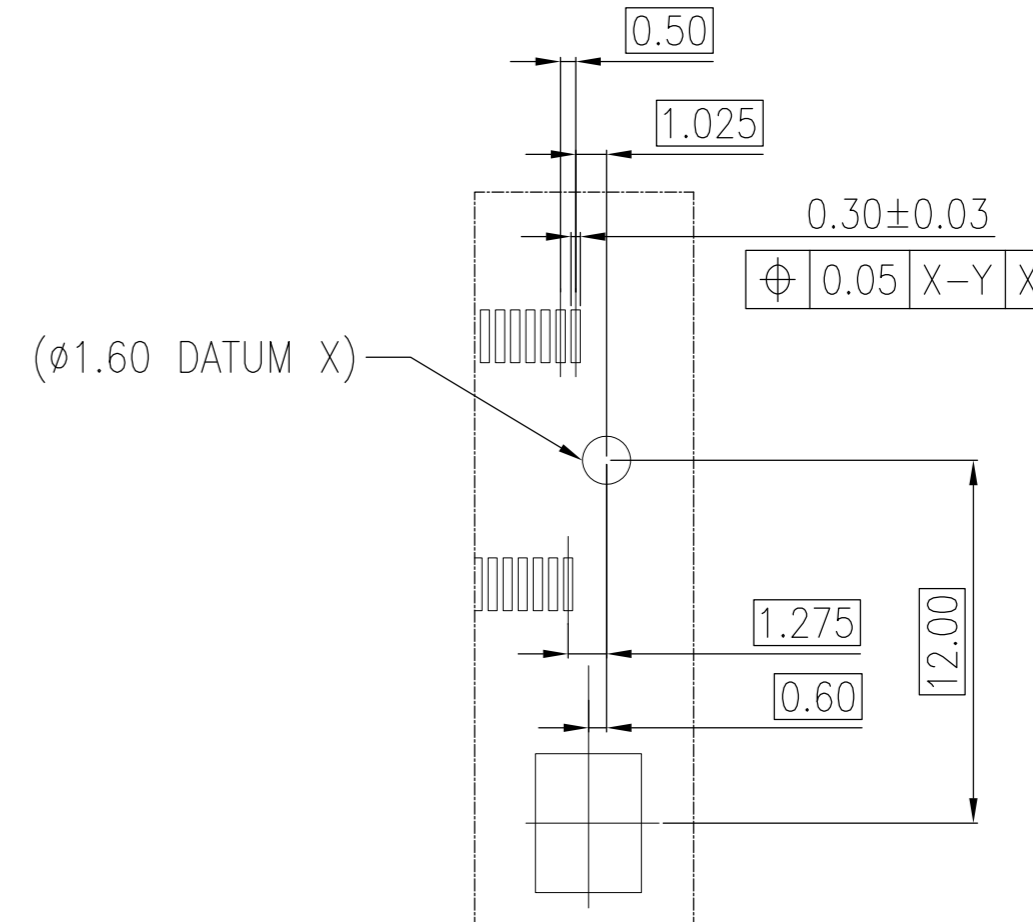
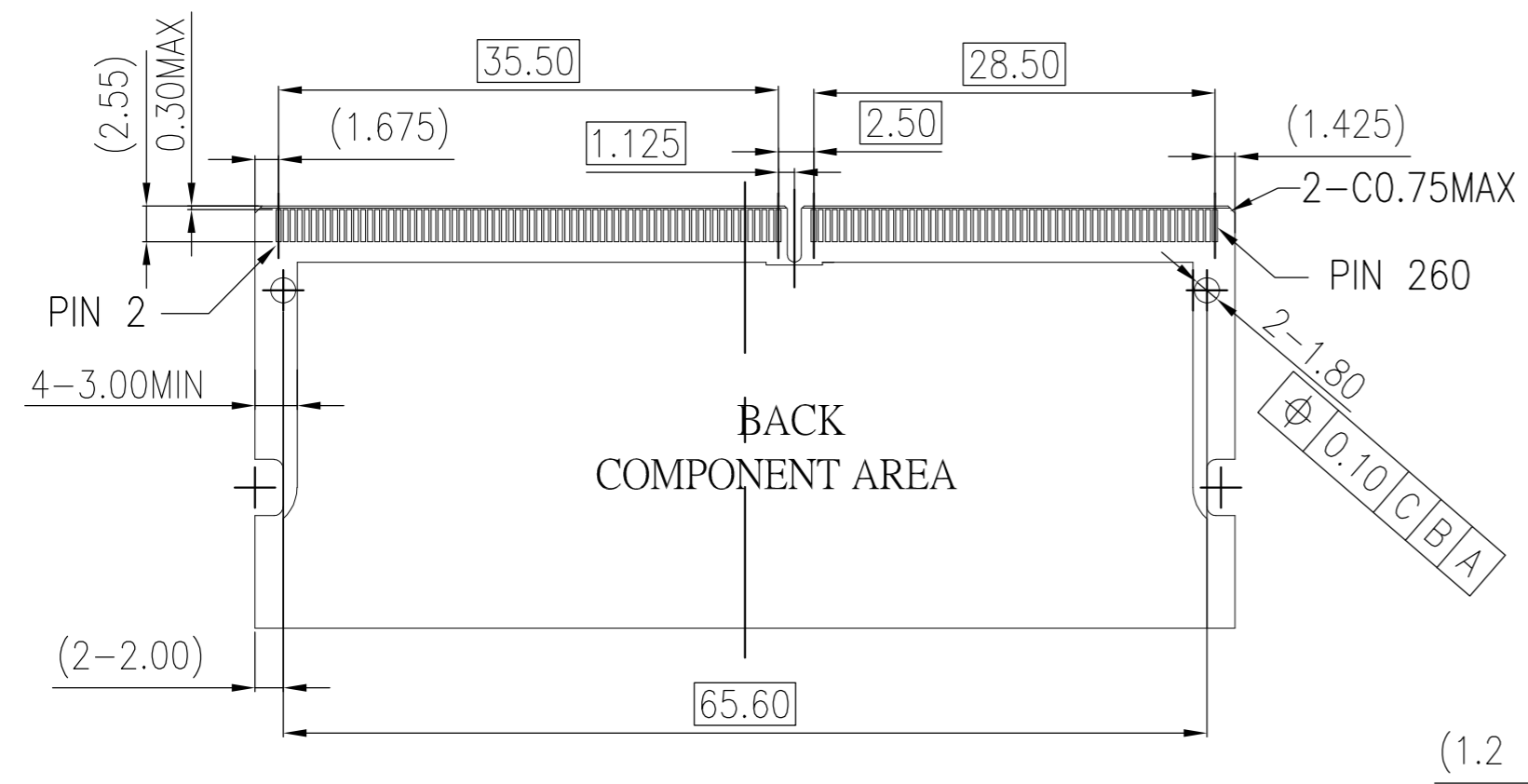
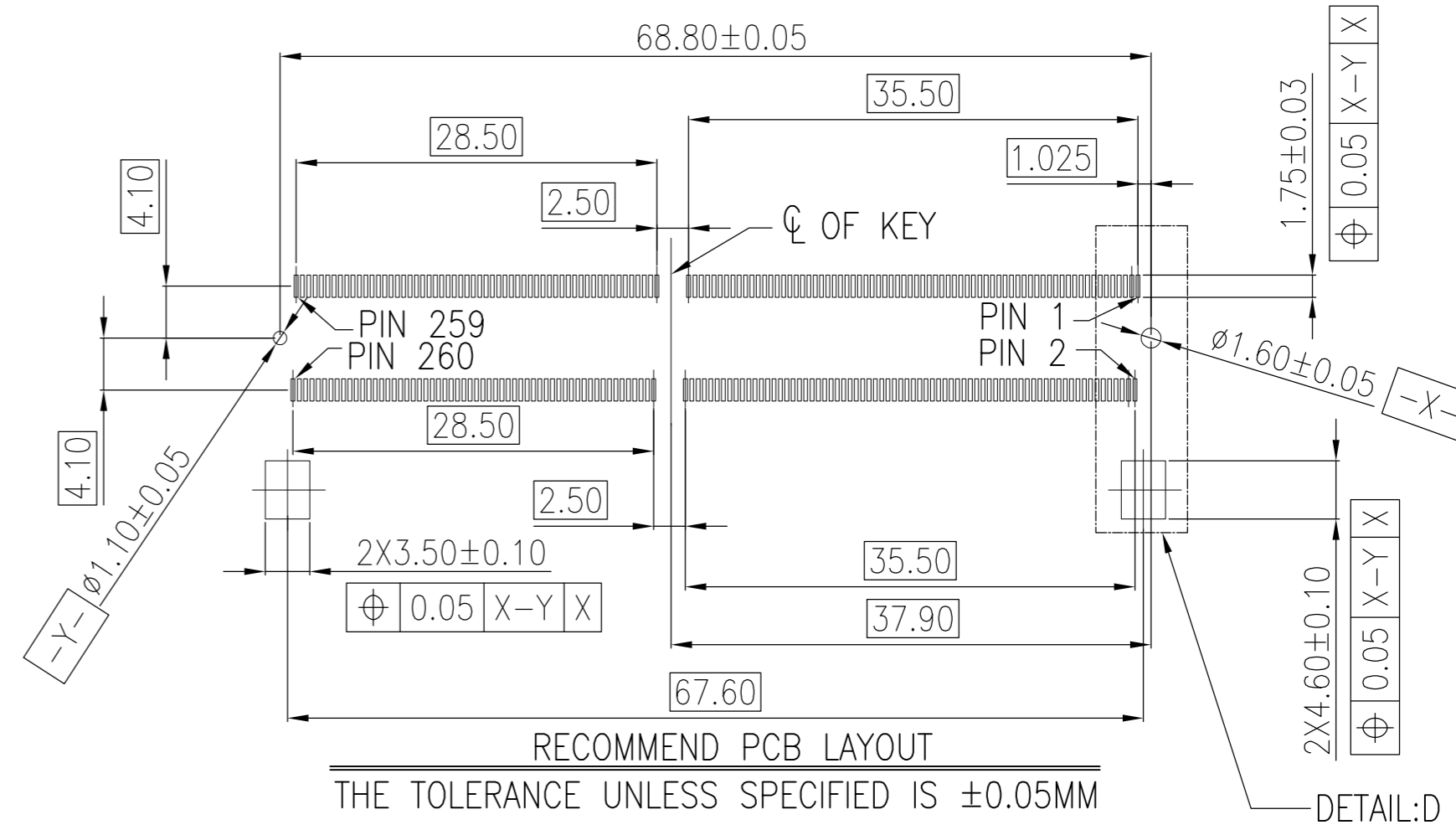
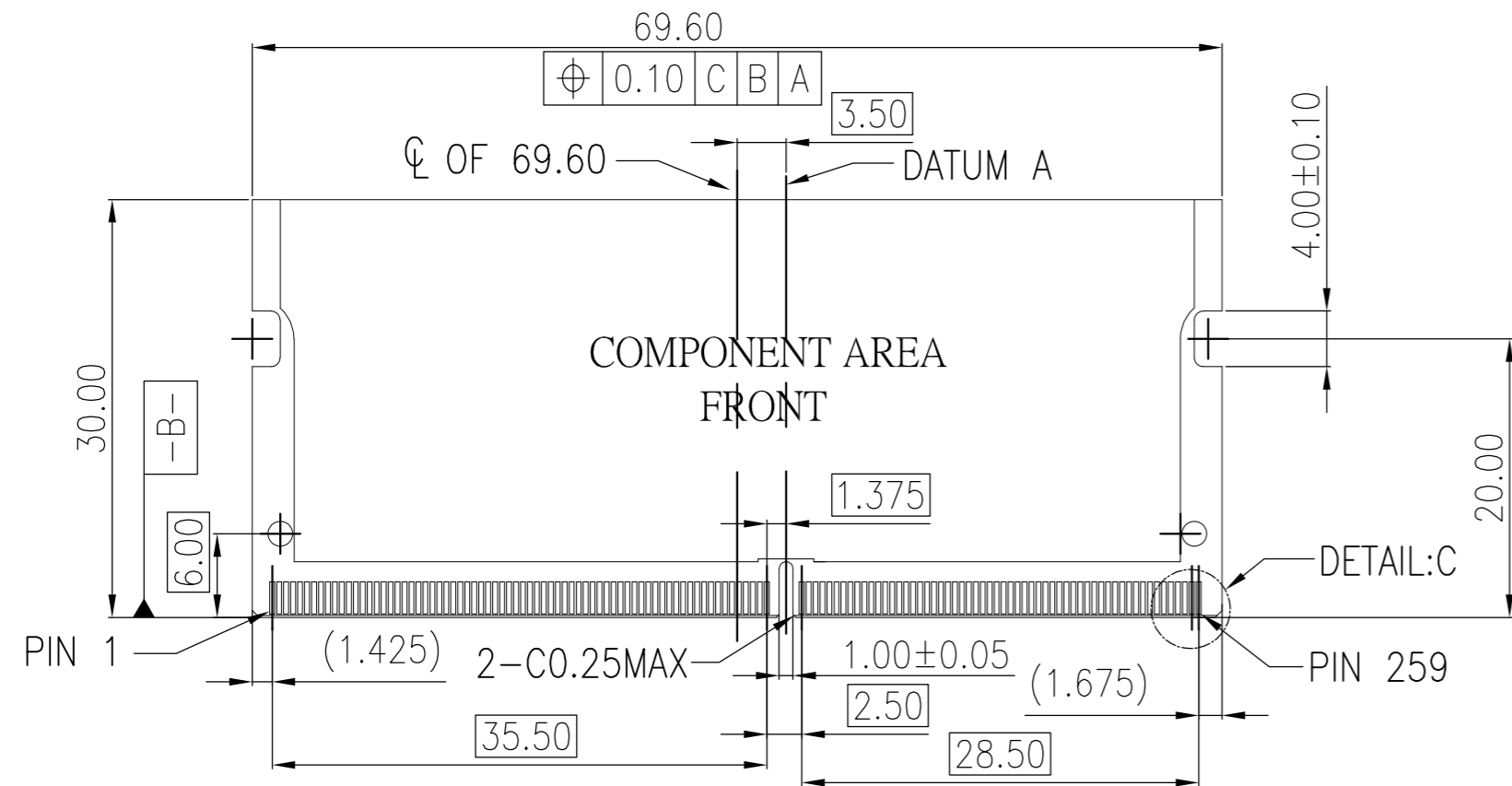
- MATING: ① INSERTING (25°) → ② ROTATING → ③ FIXED
 UNMATING: ④ UNFIXED → ⑤ ROTATING → ⑥ WITHDRAWING

| | | | | | |
|--------------|---------------|--------------|--------|-----|-----------|
| TAPE&REEL | BLACK | 1.2V | 30u" | 260 | 2309409-5 |
| TAPE&REEL | BLACK | 1.2V | 15u" | 260 | 2309409-4 |
| TAPE&REEL | BLACK | 1.2V | 10u" | 260 | 2309409-3 |
| TAPE&REEL | BLACK | 1.2V | 5u" | 260 | 2309409-2 |
| TAPE&REEL | BLACK | 1.2V | GF | 260 | 2309409-1 |
| PACKING TYPE | HOUSING COLOR | POWER SUPPLY | FINISH | POS | PART NO. |

THIS DRAWING IS A CONTROLLED DOCUMENT.

| | | | | | |
|-------------|----------------------------------------|--------------|------------------------------------------------------------------------|-----------------|------------|
| DWN | DAVID_ZHAO | 09SEP2016 | | TE Connectivity | |
| CHK | RICHARD_MA | 09SEP2016 | | | |
| APVD | SIMON_LI | 09SEP2016 | | | |
| NAME | 108-115122 | | | | |
| DIMENSIONS: | TOLERANCES UNLESS OTHERWISE SPECIFIED: | | DDR4 SODIMM SOCKET 0.5mm PITCH 260POS 5.2mm HEIGHT STANDARD TYPE | | |
| mm | 0 PLC ± - | 1 PLC ± 0.25 | SIZE | CAGE CODE | DRAWING NO |
| | 2 PLC ± 0.15 | 3 PLC ± 0.10 | A2 | 00779 | C=2309409 |
| | 4 PLC ± - | ANGLES ± - | WEIGHT | - | |
| MATERIAL | FINISH | WEIGHT | CUSTOMER DRAWING | | |
| | | | SCALE | SHEET | REV |
| | | | 1:1 | 1 of 3 | 3 |

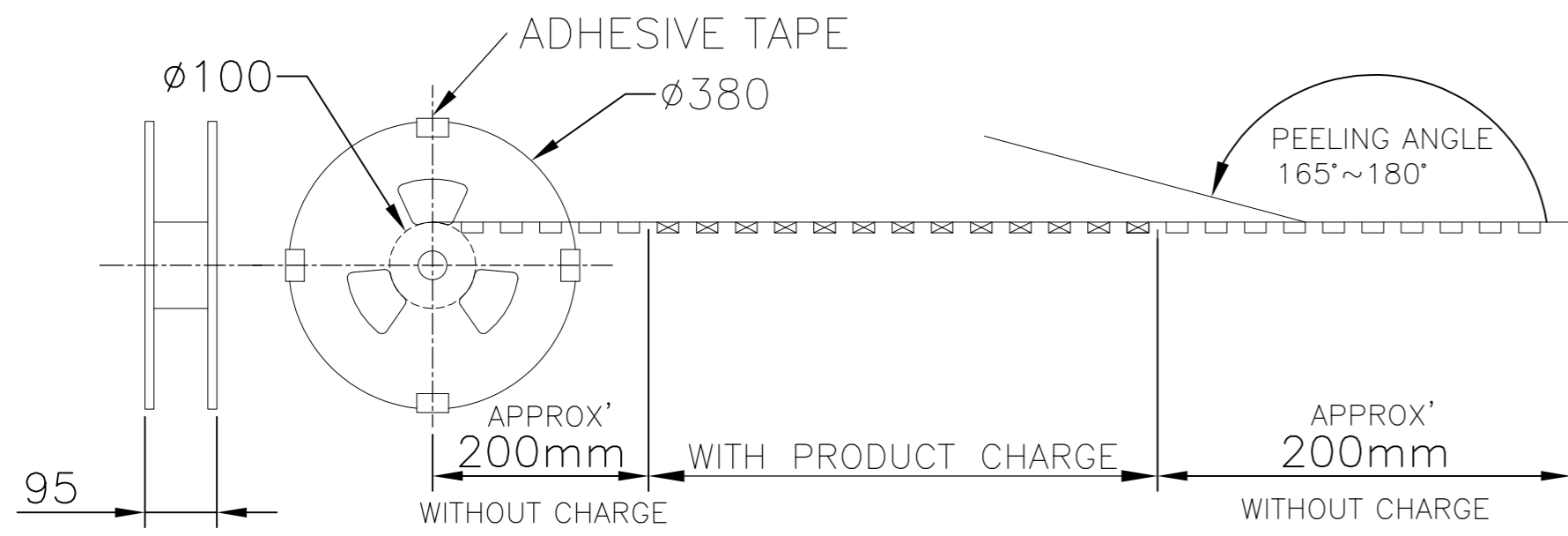
| REVISIONS | | | | | |
|-----------|-----|-------------|------|-----|------|
| P | LTR | DESCRIPTION | DATE | DWN | APVD |
| - | - | | - | - | - |



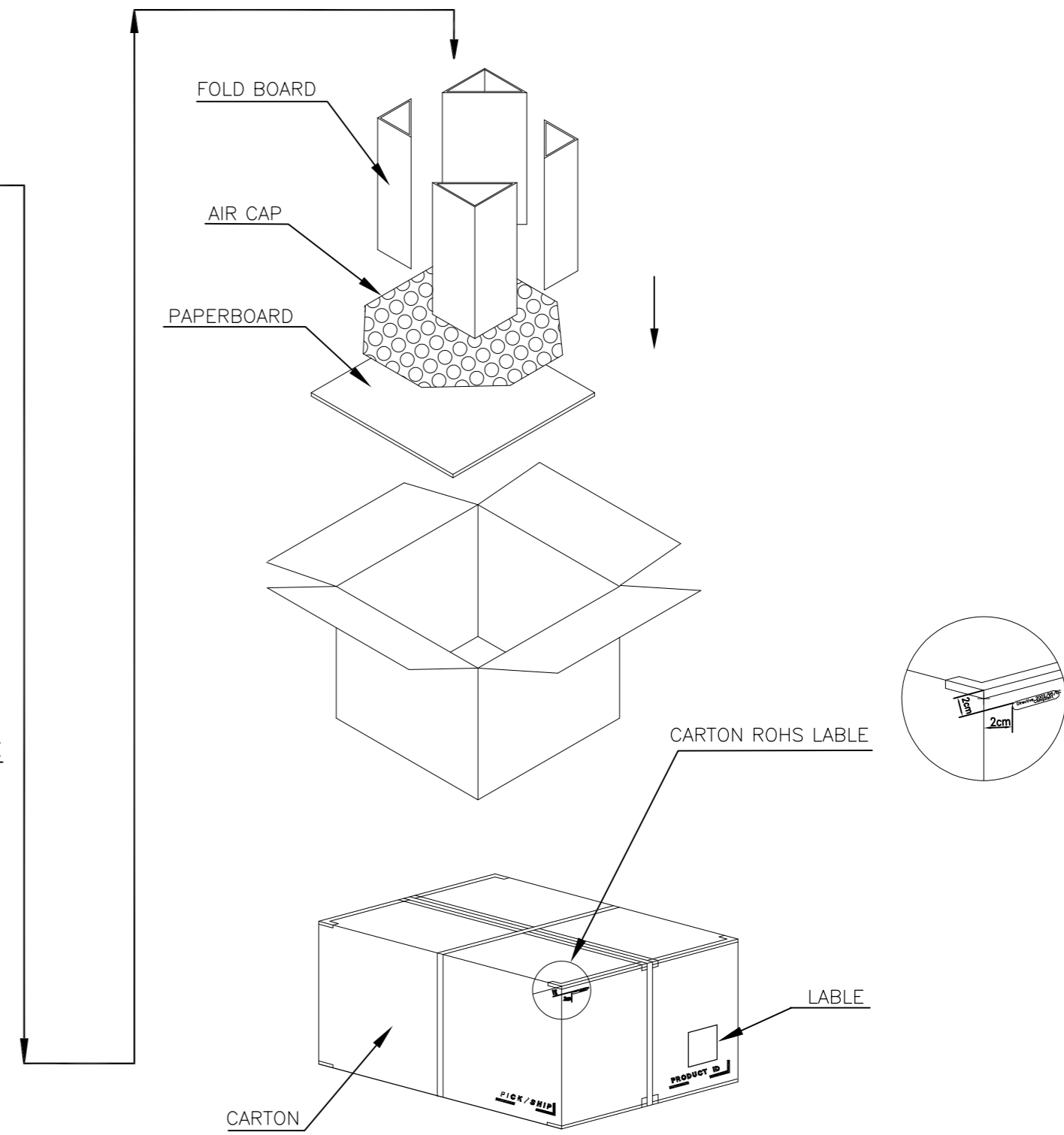
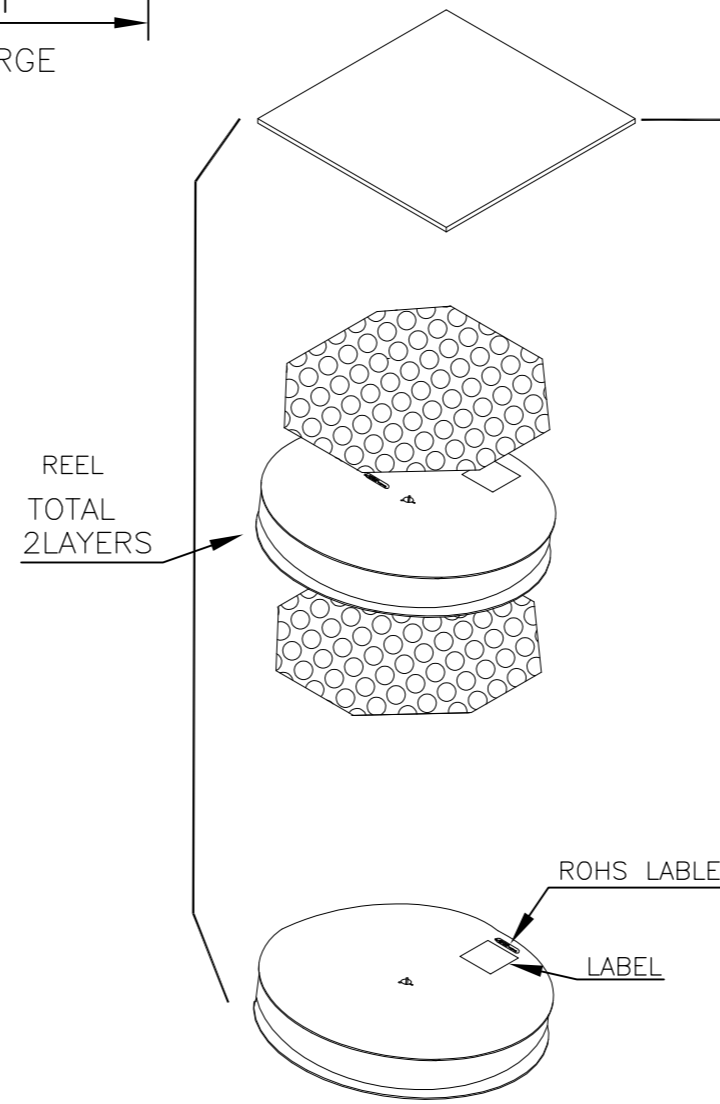
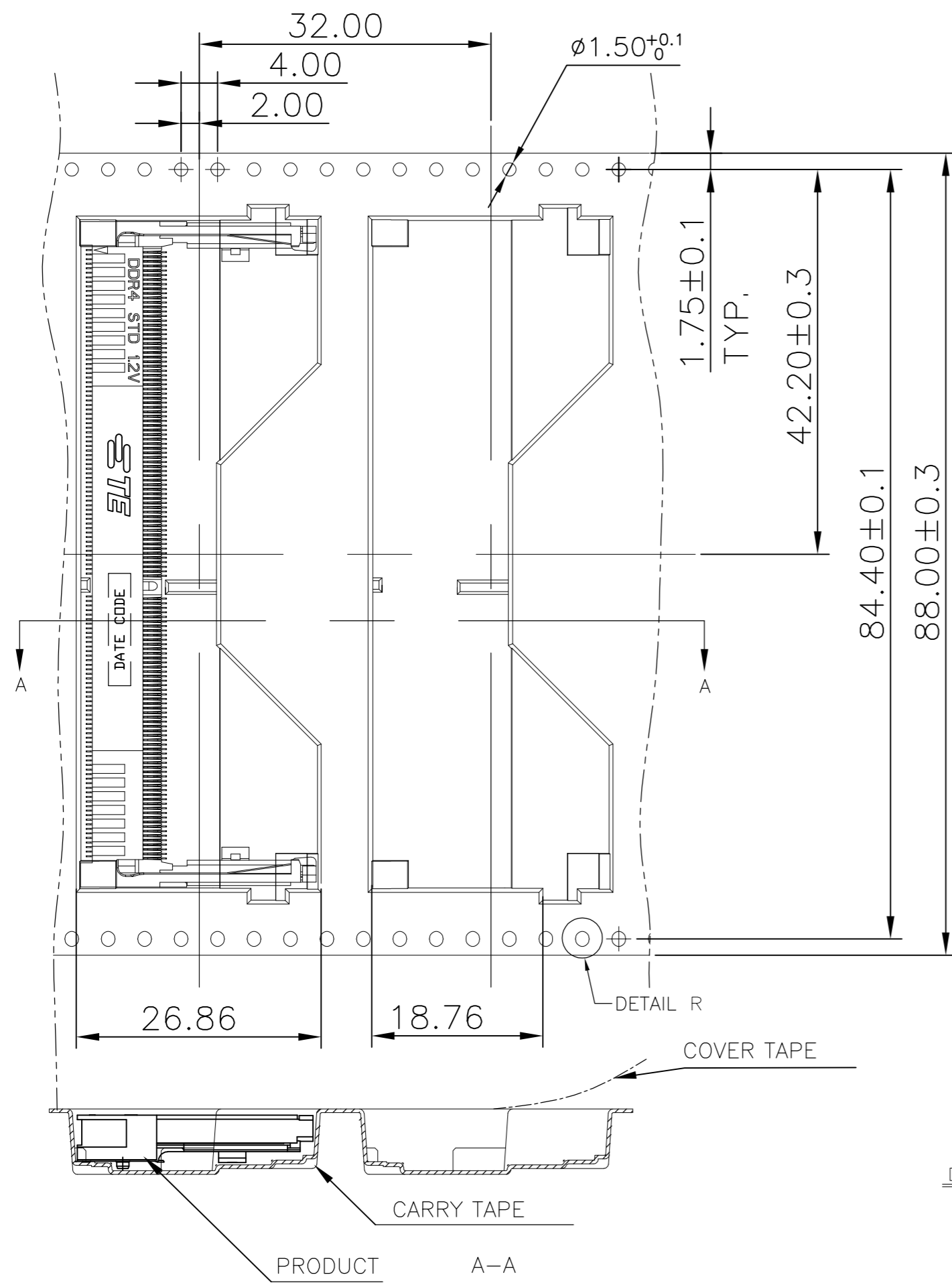
| | | | | |
|----------------------------------------|----------|--------------------------|-----------------------|-----------------|
| THIS DRAWING IS A CONTROLLED DOCUMENT. | | DWN DAVID ZHAO 09SEP2016 | | |
| DIMENSIONS: mm | | CHK RICHARD MA 09SEP2016 | | |
| TOLERANCES UNLESS OTHERWISE SPECIFIED: | | APVD SIMON LI 09SEP2016 | NAME | |
| 0 PLC ± | 1 PLC ± | PRODUCT SPEC | DDR4 SODIMM SOCKET | |
| 2 PLC ± | 3 PLC ± | APPLICATION SPEC | 0.5mm PITCH 260POS | |
| 4 PLC ± | ANGLES ± | WEIGHT | SIZE A2 | CAGE CODE 00779 |
| MATERIAL | FINISH | CUSTOMER DRAWING | DRAWING NO. C=2309409 | RESTRICTED TO |
| | | | SCALE 1:1 | SHEET 2 OF 3 |
| | | | REV 3 | |

THIS DRAWING IS UNPUBLISHED. RELEASED FOR PUBLICATION
 © COPYRIGHT 2016 By TE connectivity ALL RIGHTS RESERVED.

| REVISIONS | | | | | |
|-----------|-----|-------------|------|-----|------|
| P | LTR | DESCRIPTION | DATE | DWN | APVD |
| - | - | - | - | - | - |



PULL OUT DIRECTION →



| | | | |
|----------|-------------|------------|-------------|
| 400 | 2 | 800 | *-2309409-* |
| PCS/REEL | REEL/CARTON | PCS/CARTON | PART NUMBER |

| | | | | |
|----------------------------------------|--|---------------------------|----------------------------|-----------------|
| THIS DRAWING IS A CONTROLLED DOCUMENT. | | DWN DAVID ZHAO 09SEP2016 | TE Connectivity | |
| DIMENSIONS: mm | | CHK RICHARD ,MA 09SEP2016 | NAME | |
| TOLERANCES UNLESS OTHERWISE SPECIFIED | | APVD SIMON LI 09SEP2016 | DDR4 SODIMM SOCKET | |
| 0 PLC ± | | PRODUCT SPEC | 0.5mm PITCH 260POS | |
| 1 PLC ± - | | APPLICATION SPEC | 5.2mm HEIGHT STANDARD TYPE | |
| 2 PLC ± - | | WEIGHT | SIZE A2 | CAGE CODE 00779 |
| 3 PLC ± - | | CUSTOMER DRAWING | DRAWING NO. C=2309409 | RESTRICTED TO |
| 4 PLC ± - | | SCALE - | SHEET 3 of 3 | REV 3 |
| ANGLES ± - | | | | |
| FINISH | | | | |