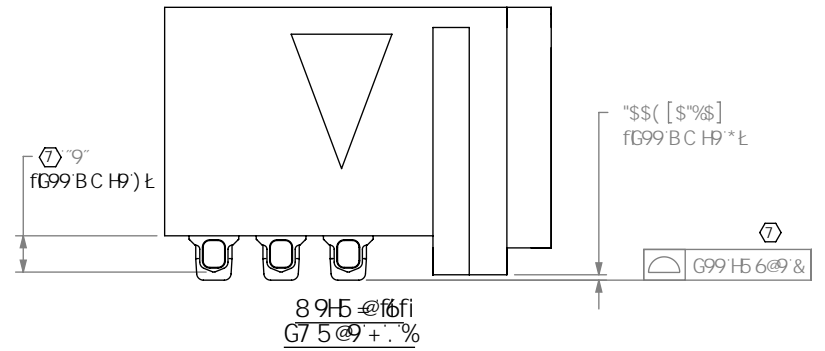
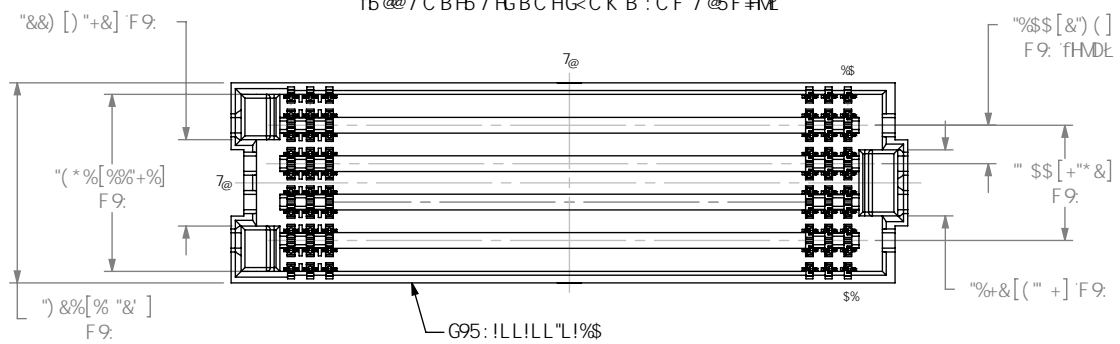




: ÷ "'&  
 !%\$. %\$FCK  
 FG5A 9'5G: ÷ "'%Z9L7 9DH5GG<CK BŁ  
 FG95:!' \$!\$) "\$!LL!\$!%G<CK BŁ  
 fB@@7CBH57HGBC HG<CK B': CF 7 @5F+MŁ



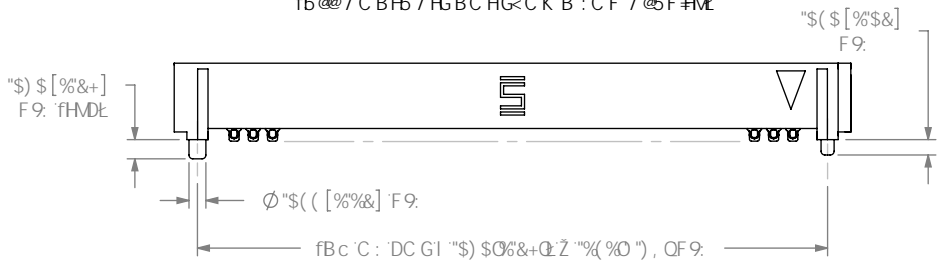
**TABLE 4**

POSITION	FLATNESS
-10 TO -30	.006[0.15]
-40	.009[0.23]
-50	.009[0.23]

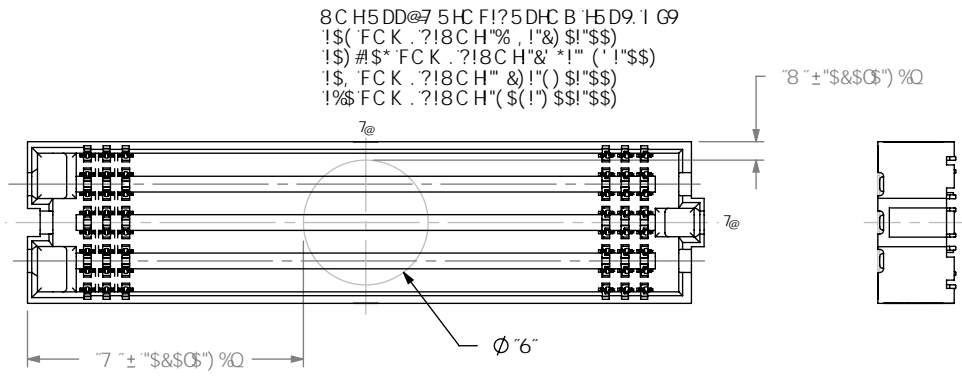
**TABLE 5**

LEAD STYLE	"E"
-05.0	.0270[0.686]
-06.0	.0660[1.676]
-06.5	.0860[1.422]

: ÷ "'"  
 !5. 5@ BA 9B HD-BGC DHC B  
 FG5A 9'5G: ÷ "'%Z9L7 9DH5GG<CK BŁ  
 FG95:!' \$!\$) "\$!LL!\$!%5 G<CK BŁ  
 fB@@7CBH57HGBC HG<CK B': CF 7 @5F+MŁ



: ÷ "'(  
 !? .?5 DHC B' D58' C DHC B  
 FG95:!' \$!\$) "\$!LL!\$!%? G<CK BŁ  
 FG5A 9'5G: ÷ "'%Z9L7 9DH5GG<CK BŁ  
 fB@@7CBH57HGBC HG<CK B': CF 7 @5F+MŁ  
 fK5B8 D@7 9I G9?!, )!\*\$) ŁŁ

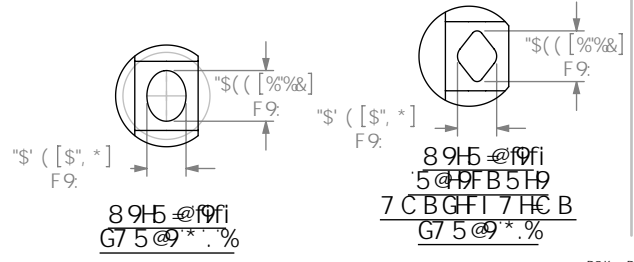


**TABLE 3**

ROW	"B"	"C"	"D"
-04	0.138 [3.50]	(((No OF POS x .050[1.27]) + .263[6.68]) - "B") / 2	0.042 [1.07]
-05, -06	0.236 [6.00]		0.043 [1.09]
-08	0.325 [8.25]		0.048 [1.22]
-10	0.404 [10.25]		0.059 [1.50]

**TABLE 6**

No. OF ROWS	"F"
-04	.079[2.01]
-05	.120[3.05]
-06	.120[3.05]
-08	.120[3.05]
-10	.120[3.05]



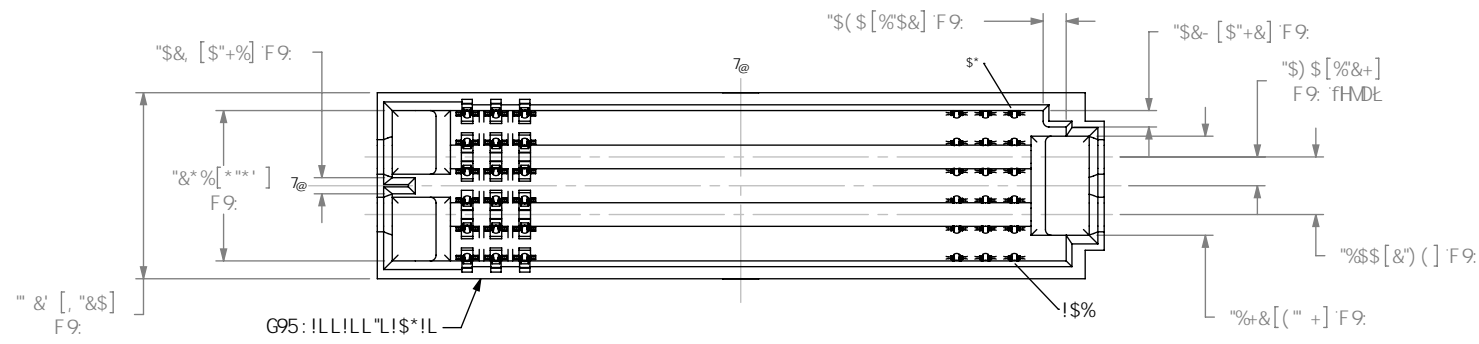
DFC DF 9H5 FMBC H9  
 H: 6BC 71A 9B H7 CBH5 BG B: CFA 5HC B  
 7CB: 89H5 95B8 DFC DF 9H5 FMBC  
 GSA H97 2 87 588 G-5 98BC H69 F90FC 81 7 98  
 CF HF5BG 9F98 HC CH: 9F 8C 71A 9B HGCF  
 8 47 @ 98 HC CH: 9F GCF 1 98: CF 5BM  
 DI DFC 99 CH: 9F H: 5B H: 5HK <7 < HK 5G  
 C 6H5 98 K H: C1 H: 9 9L DF 9098 K F H68  
 7CBG98HC: GSA H97 2 87 "

8C BCHG7 5 @ 8F5K B:  
 G: 99H7 5 @ 8F5K B:

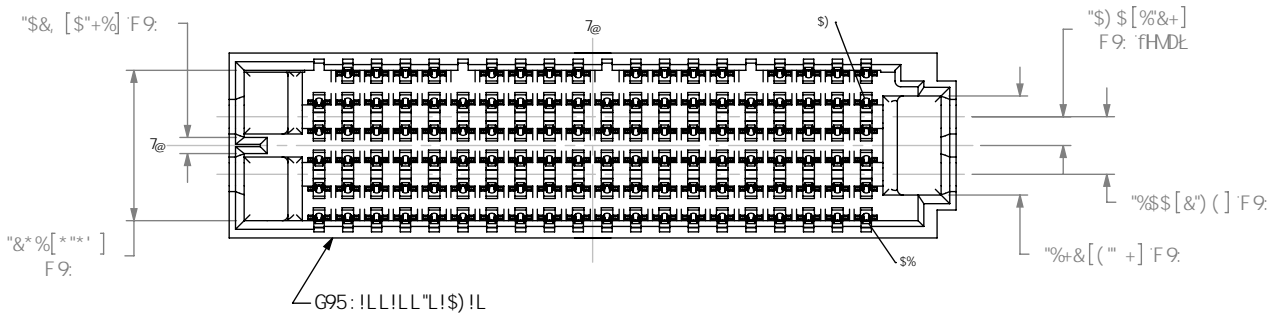
**samtec**

)&\$ D5F? 95GH6@ 8ZB9K 5 @5BM B (+) \$  
 D<C B9; %&L - ((! \* + ..... SL; %&L - (, ) \$ (+  
 YIA UJ; )&Z 4 GSA H97 Wc a ..... Wc XY.)' )&&

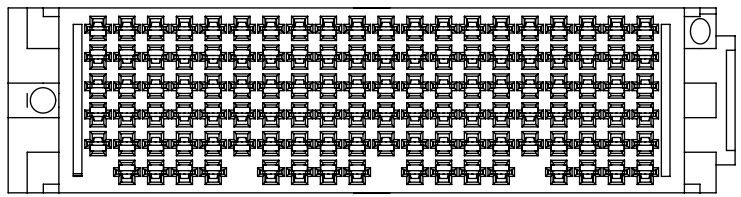
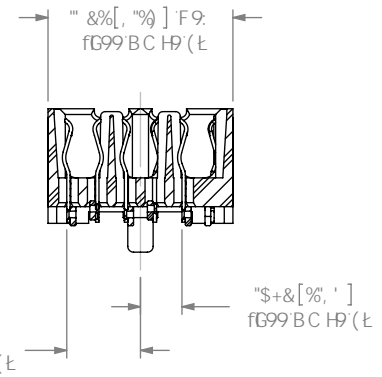
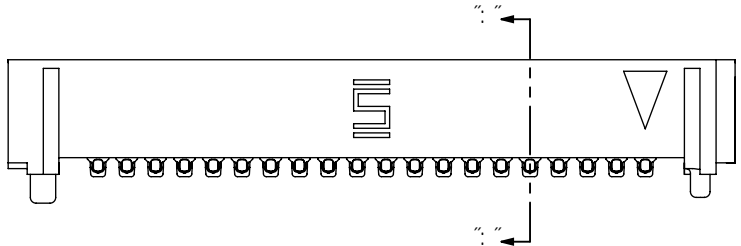
89G7 F @HC B.  
 "\$) \$ D+7 < GC 7 ? 9H5 FF5 M5 GG9A 6 @M  
 8K: "BC"  
**G95: !LL!LL "L!LL!LL!LL**  
 6M 6F5H7 < 9F \$) #&+ #&\$ \$ ( G< 99H & C: \*



$\frac{1}{2} \pm "$   
 $!$*.*FK$   
 fG5A 9'5G:  $\pm "$  %Z 9L 7 9DH5GG<CK BŁ  
 fG95: !&\$!\$) "\$!LL!\$\*!%5' G<CK BŁ  
 fB @7 C B H 7 H G B C H G < C K B : C F 7 @ F + M



$\frac{1}{2} \pm "$   
 $!$) ) FK$   
 fG5A 9'5G:  $\pm "$  %Z 9L 7 9DH5GG<CK BŁ  
 fG95: !&\$!\$) "\$!LL!\$)!%5' G<CK BŁ



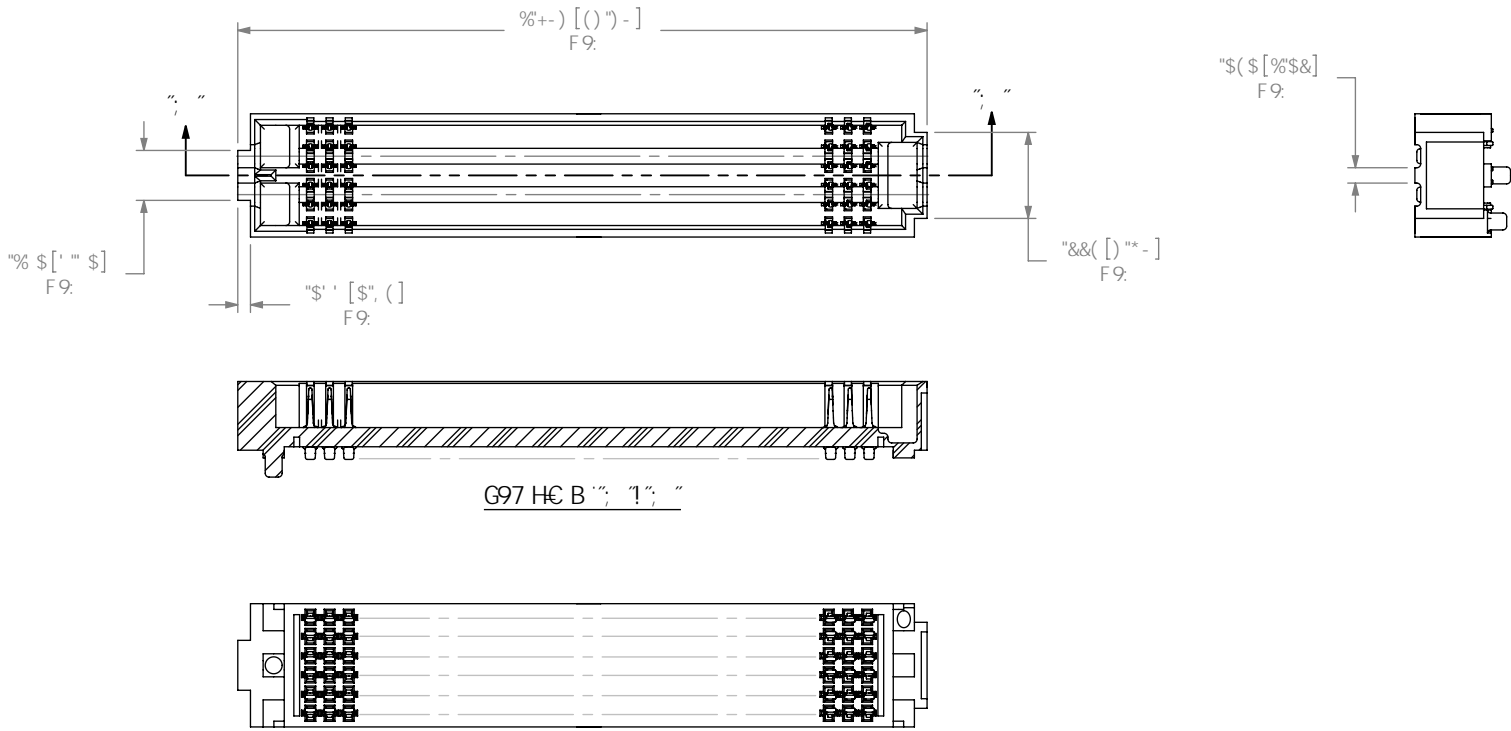
DFC DF 9H5 FMBCH9  
 H: 6BC 71A 98H7 C B H B G B : C F A 5HC B  
 7 C B : 898H5 95B8 DFC DF 9H5 FMBCH  
 GSA H97 2 8 7 5B8 G-5 98BC H69 F90FC 81 7 98  
 C F H F5BG 9F98 HC C H: 9F 8C 71A 98H6 C F  
 8 47 @C 98H C C H: 9F G C F I 98H : C F 5BM  
 D I FDC 99 C H: 9F H: 5B H: 5HK < 7 < #H 5G  
 C 6H5 B 98 K # C I H H: 9 9 L D F 9098 K F #H8  
 7 C B 98HC : GSA H97 2 8 7 \*

**samtec**

) &\$ D5F? 95GH6@ 8ZB9K 5@5BM-B (+) \$  
 D<C B 9 ; %&L - ((! \* + " # \$ % & ' ( ) \* +  
 YIA UJ : j z 4 GSA H97 Wc a ..... Wc XY.) ' &&

89G7 F@HC B.  
 "\$) \$' D#7 < 'GC 7 ? 9H5 FF5M5GG9A 6@M  
 8K : "BC"  
**G95: !LL!LL"!L!LL!LL!L!LL**  
 6M 6F5H7 < 9F \$) #&+ #&\$\$( G< 99H""C : \*

: +  
 H!B: B C H / < C D H € B  
 fG5A 9 5 G : " 2 9 L 7 9 D H 5 G < C K B L  
 fG95 : ! " \$ ! " \$ ! L L ! \$ \* 1 % 5 ! B " G < C K B L  
 f! \$ ) " \$ @ 9 5 8 G H M @ C B @ M  
 f5 @ @ 7 C B H 5 7 H G B C H G < C K B : C F 7 @ 5 F # M  
 H 1 B C H F 9 @ 9 5 G 9 D F C 8 I 7 H € B



G97 H € B " , 1 " , "

**DFC DF 9 5 F M B C H 9**

H: 6 8 C 7 I A 9 8 H 7 C B H 5 B G B: C F A 5 H C B  
 7 C B: 4 9 8 H 5 9 5 B 8 D F C D F 9 4 5 F M M C  
 G S A H 7 2 4 7 \* 5 B 8 G: 5 9 8 B C H 6 9 F 9 0 F C 8 1 7 9 8  
 C F H F 5 B G 9 F 9 8 H C C H: 9 F 8 C 7 I A 9 8 H G C F  
 8 4 7 @ 9 9 8 H C C H: 9 F G C F I 9 9 8 : C F 5 B M  
 D I F D C 6 9 C H: 9 F H: 5 B H: 5 H K < 7 < # H K 5 G  
 C 6 1 5 B 9 8 K # C I H H: 9 9 L D F 9 0 9 9 8 K F # 9 8  
 7 C B G 9 8 H C: G S A H 7 2 4 7 \*

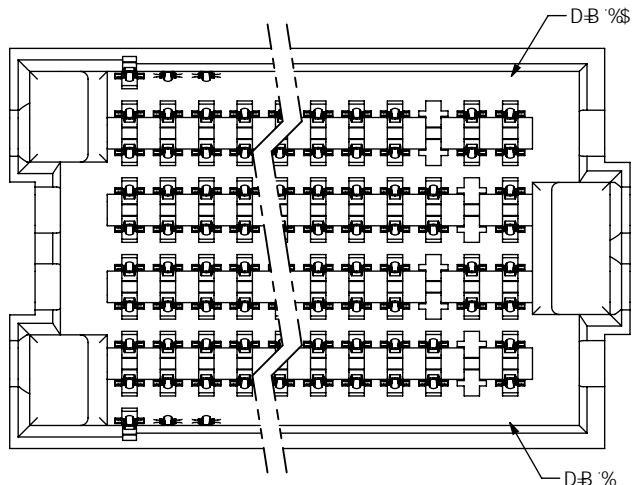
8 C B C H G 7 5 @ 9 8 F 5 K B:

G: 9 9 H G 7 5 @ 9 & %

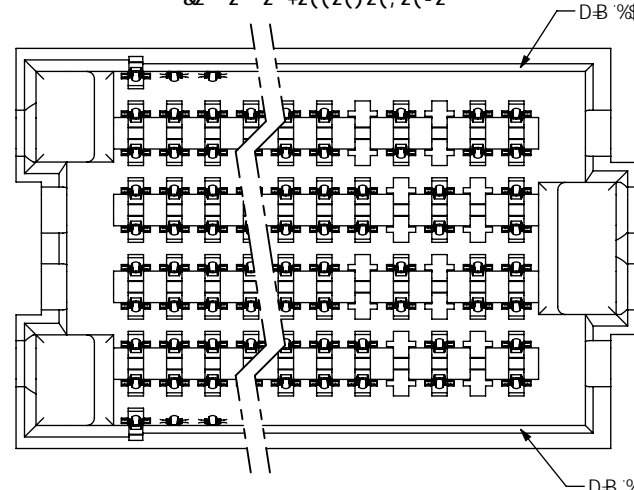
) & \$ D 5 F ? 9 5 G H 6 @ 8 2 B 9 K 5 @ 5 B M B ( + ) \$  
 D < C B 9 ; % & L - ( ( ! \* + ' : ; < : > , % & L - ( , ) \$ ( +  
 Y I A U J . } ~ z 4 G S A H 7 \* W c a ..... W e X Y . ) ' & &

8 9 6 7 F @ H C B .  
 "\$ ) \$ ' D # 7 < ' G C 7 ? 9 H 5 F F 5 M 5 G 9 A 6 @ M  
 8 K : " B C \*  
**G95: ! L L ! L L " L ! L L ! L L ! L L**  
 6 M 6 F 5 H 7 < 9 F \$ ) # & + # & \$ \$ ( G < 9 9 H ( " C : \*

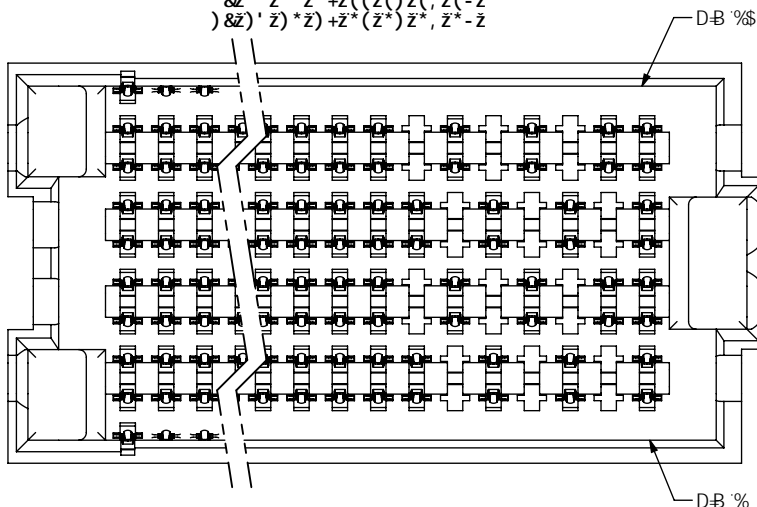
G95:!' \$!\$)""\$!LL!%\$!&!(  
 DBGCA #H98 %&ž% ž%ž%ž&(ž&) ž&, ž&-



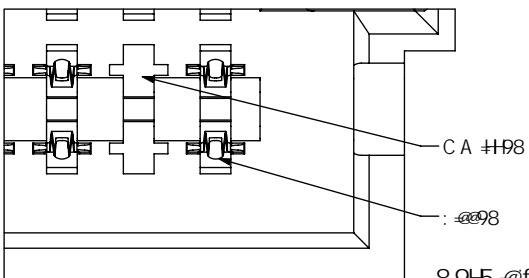
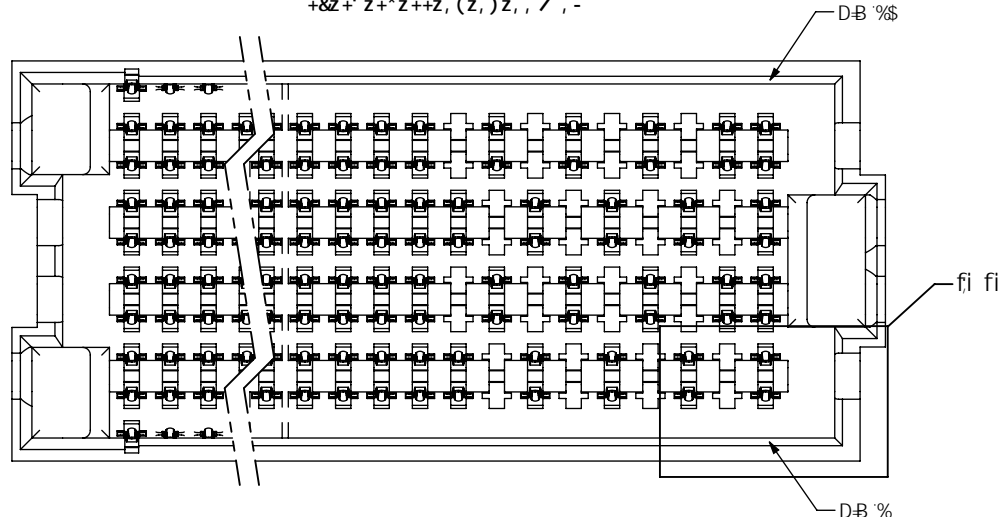
G95:!' \$!\$)""\$!LL!%\$!&!,  
 DBGCA #H98 %&ž% ž%ž%ž&(ž&) ž&, ž&-  
 ' &ž' ' ž' \*ž' +ž((ž())ž(, ž(-ž



G95:!' \$!\$)""\$!LL!%\$!&!  
 DBGCA #H98 %&ž% ž%ž%ž&(ž&) ž&, ž&-  
 ' &ž' ' ž' \*ž' +ž((ž())ž(, ž(-ž  
 )&ž)' ž)' \*ž)' +ž\*(ž\*)ž\*, ž\*-ž



G95:!' \$!\$)""\$!LL!%\$!&!  
 DBGCA #H98 %&ž% ž%ž%ž&(ž&) ž&, ž&-  
 ' &ž' ' ž' \*ž' +ž((ž())ž(, ž(-ž  
 )&ž)' ž)' \*ž)' +ž\*(ž\*)ž\*, ž\*-ž  
 +&ž+' ž'+ž'+ž, (ž,)ž, /, -



8915 @fi fi  
 G75 @, .%

DFC DF 915 FMBC H9  
 H: 6BC 71A 98H7 C B16 BG B: CFA 5HC B  
 7 C B: 89815 95B8 DFC DF 945 F1MC  
 GSA H97 2 87 5B8 G: 500BC H69 F90FC 81 798  
 CF HF5BG 9F98 HC CH: 9F 8C 71A 98HGCF  
 8 47 @C 998 HC CH: 9FGCF I 998: CF 5BM  
 DI FDC 09 CH: 9F H: 5B H: 5HK < 7 < 4HK 5G  
 C 615 B98 K H: C I H: 9 9LD F 9098 K F #H98  
 7 C B98HC: GSA H97 2 87 \*

8C BCHG7 5 @9 8F5K B:

G: 99HG7 5 @9 ( .%

**samtec**

)&\$ D5F? 95GH6@ 8ZB 9K 5 @5BM B (+) \$  
 D<C B 9 ; %&L - ((! \* + ..... SL ; %&L - ( ) \$) (+  
 YIA UJ ; žž 4 GSA H97 WcA ..... WEXY.)' &&

89G7 F @HC B.  
 "\$) \$ D+7 < GC 7 ? 9H5 FF 5 M5 GG9A 6 @M

8K : "BC"  
**G95: !LLILL "LILL!LL!LL**

6M 6F5H7 < 9F \$) #&+ #&\$\$( G< 99H)" C: \*

