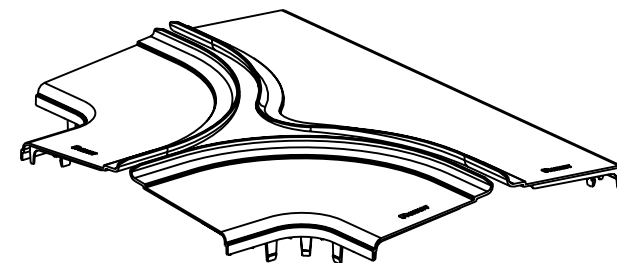
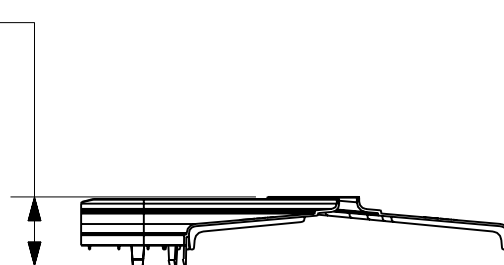
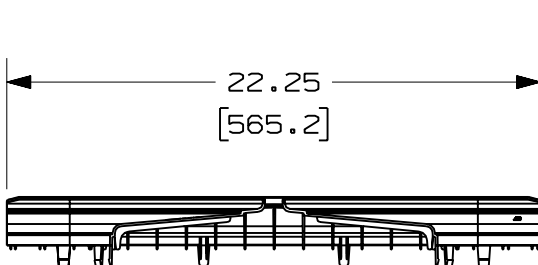
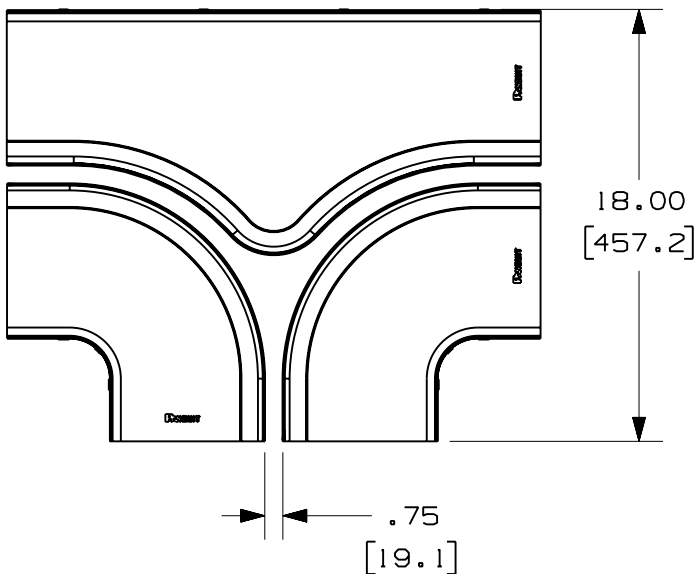


A



PANDUIT PART NUMBER	WEIGHT
FRTSC12	1.81 LB/EACH (822g/EACH)

E

**NOTES:**

1. SEE CURRENT CATALOG FOR ADDITIONAL PART SUFFIXES TO INDICATE COLOR AND/OR PACKAGE QUANTITY.
2. THE FIBERRUNNER 12x4 HORIZONTAL TEE SPLIT COVER REQUIRES NO TOOLS FOR INSTALLATION AND/OR REMOVAL. THE SPLIT COVER CREATES A 3/4" (19.1) RADIUS OPENING TO ALLOW FOR NEW CABLES TO BE ADDED WITHOUT THE NEED FOR REMOVING THE COVERS.
3. DIMENSIONS IN PARENTHESES ARE IN METRIC.

ENG. REF.: D37617DJ\_DC\_FRTSC12\_01.prt

CAD FILENAME/LAYERS

C FRTSC12.pdf

**PANDUIT** CORP TINLEY PARK, ILLINOIS  
**FIBERRUNNER 12x4 HORIZONTAL TEE SPLIT COVER (FRTSC12)**  
 CUSTOMER DRAWING

UNLESS OTHERWISE SPECIFIED, DIMENSIONAL TOLERANCES ARE:  
 (.X) ± (.XXX) ±  
 (.XX) ± .03 (.8) ANGLES ±

UNLESS OTHERWISE SPECIFIED, ALL DIMENSIONS ARE GIVEN IN INCHES, THIRD ANGLE PROJECTION.

DRAWN BY: JHNU  
 DATE: 12-27-00  
 CHK'D: HIW

MAT'L:

ABS

SCALE: NONE  
 DRAWING NO.: 37617-59  
 DWG SIZE: A

REV	DATE	BY	CHK	DESCRIPTION	ECN	R	CUST	SUP	GMBH
-	-----	---	---	E. REVISED PART WEIGHT	-----	--	--		
-	-----	---	---	D. REVISED GENERAL NOTES C. REVISED CAD FILENAMES	-----	--	--		
1	7-17-06	DTP	RN	B. REVISED DRAWING TITLE A. REVISED AND REDRAWN	37617-59	RN	RN		