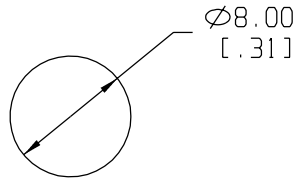
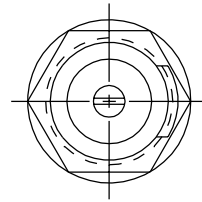


Date	SYM	REVISION RECORD	AUTH	DR.	CK.
10/29/05	A	ADDED TEMPERATURE RATING	T.B.	B.S.	



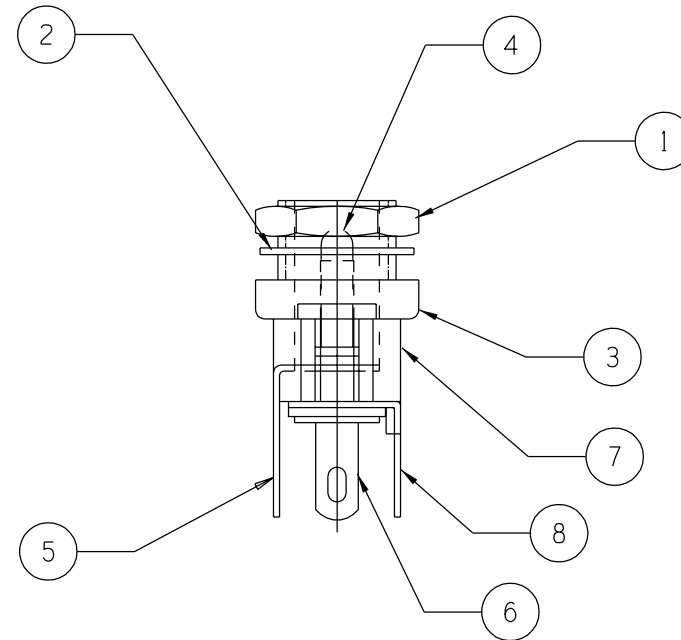
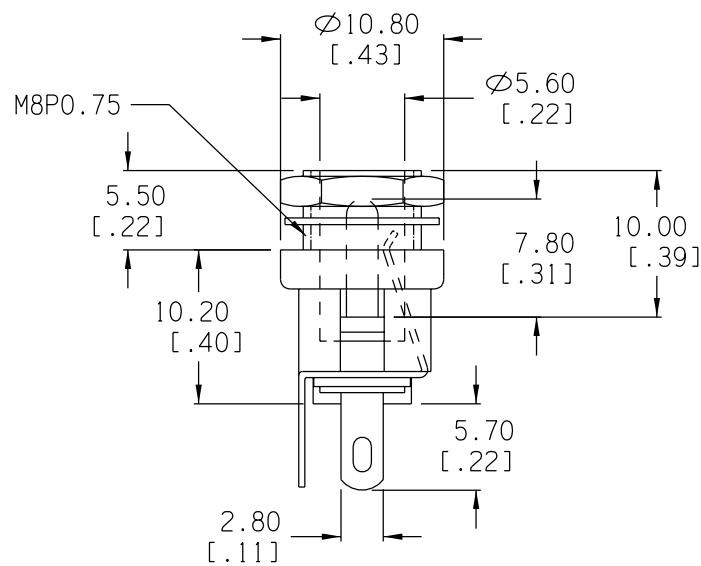
PANEL CUT-OUT



NOTE:

MAX. RATING: 12V 5A.

TEMPERATURE RATING: -15°C TO 90°C



ITEM NO.	PART NAME	MATL. SPECIFICATION	Tolerance (Inches)	Memory Protection Devices, Inc.	
1	HEX. NUT	BRASS, NICKLE PLTD.	Decimal	200 Broad Hollow Road, Farmingdale, New York 11735	
2	FLAT WASHER	IRON, NICKLE PLTD.			
3	TOP HOUSING	BRASS, NICKLE PLTD.	$\pm .5$ (.020)	Scale	Drawn By B.S.
4	PIN ($\varnothing 2.1$)	COPPER, NICKLE PLTD.		Approved By T.B.	
5	SOLDER TERMINAL	BRASS, SILVER PLTD.	Fractional	Title DC JACK - CHASSIS MOUNT, CLOSED CIRCUIT	
6	SOLDER TERMINAL	BRASS, SILVER PLTD.			
7	BOTTOM HOUSING	NYLON, BLACK	Angular	Date	Drawing Number
8	SOLDER TERMINAL	BRASS, SILVER PLTD.		10/29/05	EJ502A
			$\pm 3^\circ$		