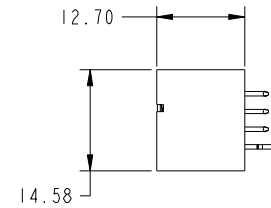
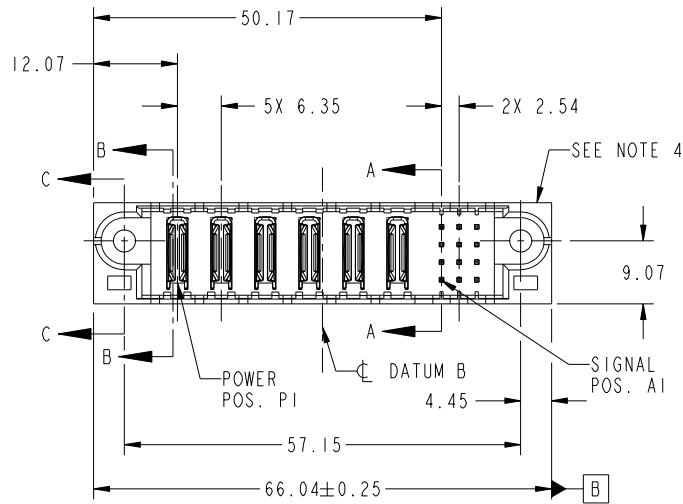
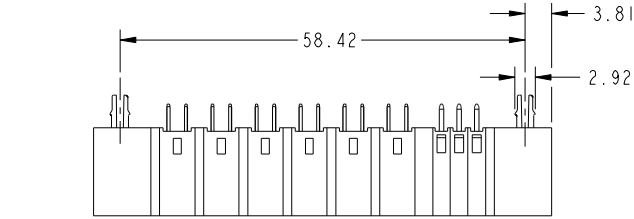


Tous droits strictement réservés. Reproduction ou communication a des tiers interdite sous quelque forme que ce soit sans autorisation écrite du propriétaire. Propriété de c FCI. Droits de reproduction FCI.



All rights strictly reserved. Reproduction or issue to third parties in any form whatever is not permitted without written authority from the proprietor. Property of FCI. Copyright FCI.

PRODUCT NO. 51952-026-- NOTE: 3	ROWS DCBA	POWER						SIG.			E2
		E1	P1	P2	P3	P4	P5	P6	1	2	



CODE	DIM "M" MATING LENGTH	CONTACT TYPE
PA	[N/A]	POWER
E	[6.86]	SIGNAL
HA	[N/A]	HOLD-DOWN

mat'l code				SEE NOTE		tolerances unless otherwise specified		CUSTOMER		 www.fciconnect.com	
ltr	ecn no.	dr	date	linear	0.X ±0.5		COPY		title 6P + 12S VERTICAL SOLDER HEADER		
A	V03-0728	MEM	7/1/03		0.XX ±0.25		projection				
B	V03-0944	MEM	8/22/03	angles	0.XXX ±0.10				product family PwrBlade code 213		
C	V04-1118	TAB	11/17/04		0° +2°				size dwg no 51952-026 sheet 1 of 4		
D	DG05-0280	SW	08/04/05	dr	M. MOSTOLLER	7/1/03	scale 1:1		A		
E	DG05-0481	Ryan	11/23/05	enrg	M. MOSTOLLER	7/1/03	cage code 22526				
F	DG07-0498	JW	09/12/08	chr	H. BREWBAKER	7/1/03					
sheet index		revision sheet		F	F	F	F				
				1	2	3	4				

Pro/E

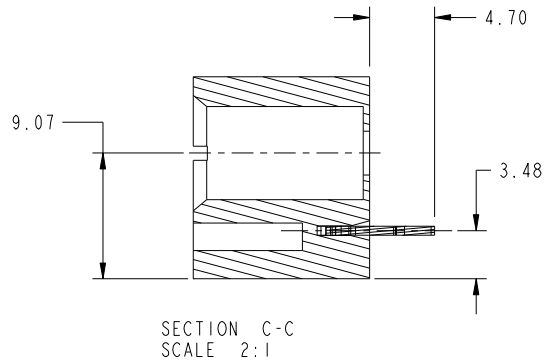
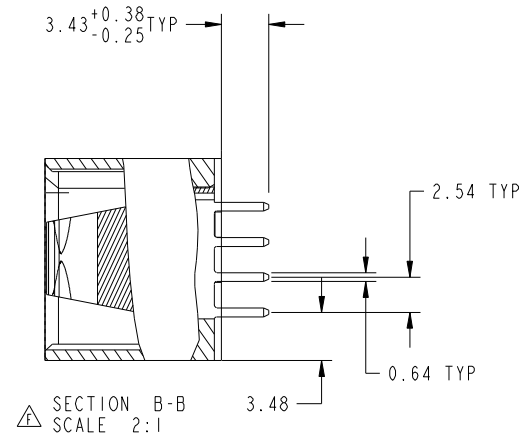
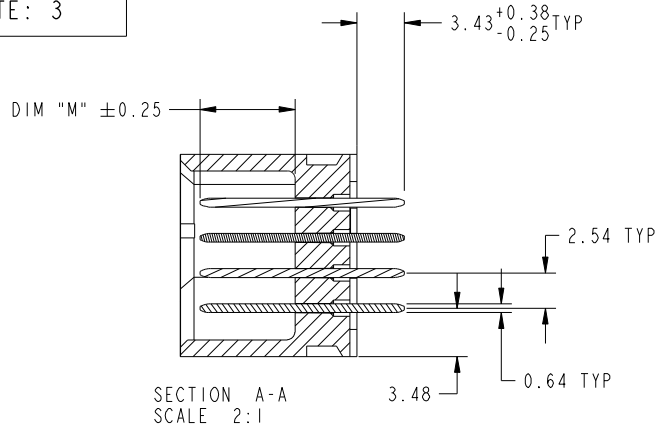
cage code 22526

Tous droits strictement reserves. Reproduction ou communication a des tiers interdite sous quelque forme que ce soit sans autorisation écrite du propriétaire. Propriete de c FCI. Droits de reproduction FCI.



All rights strictly reserved. Reproduction or issue to third parties in any form whatever is not permitted without written authority from the proprietor. Property of FCI. Copyright FCI.

PRODUCT NUMBER  
51952-026--  
NOTE: 3



mat'l code				SEE NOTE	tolerances unless otherwise specified		CUSTOMER		www.fciconnect.com	
ltr	ecn no.	dr	date	linear	0.X ±0.5	projection	COPY		title	
F				angles	0.XX ±0.25				6P + 12S VERTICAL SOLDER HEADER	
				dr	0.XXX ±0.10		product family		PwrBlade	code
				enrg	0° +2°	scale	size		dwg no	213
				chr	M. MOSTOLLER 7/1/03	1:1	A		51952-026	sheet
				appd	M. MOSTOLLER 7/1/03					2
sheet index	revision sheet									

cage code 22526

Pro/E



Tous droits strictement reserves. Reproduction ou communication a des tiers interdite sous quelque forme que ce soit sans autorisation ecrite du proprietaire. Propriete de c FCI. Droits de reproduction FCI.



All rights strictly reserved. Reproduction or issue to third parties in any form whatever is not permitted without written authority from the proprietor. Property of FCI. Copyright FCI.

PRODUCT NUMBER  
51952-026--  
NOTE: 3

NOTES:

1. DIMENSIONS AND TOLERANCES ARE IN ACCORDANCE WITH ASME Y14.5M, 1994 UNLESS OTHERWISE SPECIFIED.

CONNECTOR NOTES:

2 HOUSING MATERIAL: UL 94 V-0 GLASS FILLED HIGH-TEMP THERMOPLASTIC

POWER CONTACT MATERIAL: COPPER ALLOY  
SIGNAL PIN MATERIAL: COPPER ALLOY

3 PLATING:

SEE ITEM 1 & 2 IN PRINT 10064183 FOR PLATING SPEC OF 51952-026; 51952-026LF PRESPECTIVELY

4 MANUFACTURER'S NAME, P/N, AND DATE CODE TO APPEAR ON THIS SURFACE.

5. PRODUCT SPECIFICATION GS-12-149.  
APPLICATION SPECIFICATION BUS-20-067.

6. PACKAGED IN TRAYS.

PCB NOTES:

7. ALL HOLE DIAMETERS ARE FINISHED HOLE SIZE.

8. MOUNTING HOLES, WHERE APPLICABLE, ARE UNPLATED.

9  $\varnothing 1.151 \pm 0.025$  DRILLED HOLES PLATED WITH)  
0.008 MIN SnPb OR Sn OVER 0.03  
TO 0.08 Cu PLATING TO ACHIEVE  
 $\varnothing 1.02 \pm .07$  HOLE.

10 "DIM XXX" TO BE DETERMINED BY THE CUSTOMER.

11 CONNECTOR KEEP-OUT ZONE.

12. A  $\Delta$  SYMBOL WILL BE NEXT TO ANY DIMENSION, VIEW, OR NOTE WHICH HAS BEEN MODIFIED WITH THE CURRENT DRAWING REVISION.

mat'l code		SEE NOTE		tolerances unless otherwise specified		CUSTOMER		www.fciconnect.com	
ltr	ecn no.	dr	date	linear	0.X ± 0.5	COPY		title	
F					0.XX ± 0.25	projection		6P + 12S	
				angles	0.XXX ± 0.10			VERTICAL SOLDER HEADER	
				dr	0° + 2°			product family PwrBlade code	
				enrg	M. MOSTOLLER 7/1/03	scale		size	
				chr	M. MOSTOLLER 7/1/03	1:1		dwg no 213	
				appd	H. BREWBAKER 7/1/03	A		sheet 4	
					M. MOSTOLLER 7/1/03			51952-026	
sheet index	revision sheet								

cage code 22526

Pro/E