



Comair Rotron Specification Sheet

Specification Date: Dec 10,2009

Version 01

RoHS Compliant

COMAIR ROTRON PART NUMBER: 043171
COMAIR ROTRON MODEL NUMBER: DD692748Z1E5X

A.) MOTOR:

RATED VOLTAGE:	48 Vdc
OPERATING VOLTAGE RANGE:	24 Vdc – 72 Vdc
LOW-START VOLTAGE:	20 Vdc
RUNNING CURRENT:	1.2 Amps
RATED POWER:	52.9 Watts
NOMINAL SPEED:	3435 RPM \pm 200 (At Free Delivery)
START UP TIME:	10 Seconds Maximum
MOTOR TYPE:	Brushless DC
MOTOR PROTECTION:	By Integrated Circuit, Fuse
LOCKED ROTOR PROTECTION:	Electronic
POLARITY PROTECTION:	Yes
AUTOMATIC RESTART CAPABILITY:	By Integrated Circuit
ROTATION:	Clockwise when viewed from Inlet

B.) MECHANICAL

DIMENSIONS:	175 mm Dia. x 69 mm (6.9" Dia. x 2.7") <i>Figure 1</i>
WEIGHT:	1.0 Kg
BEARING TYPE:	Ball Bearing, Permanently Lubricated, Shielded
MOTOR BASE:	Cast Aluminum
IMPELLER:	sheet metal, black powder coating



Comair Rotron Specification Sheet

Specification Date: Dec 10,2009

Version 01

RoHS Compliant

COMAIR ROTRON PART NUMBER:

043171

COMAIR ROTRON MODEL NUMBER:

DD692748Z1E5X

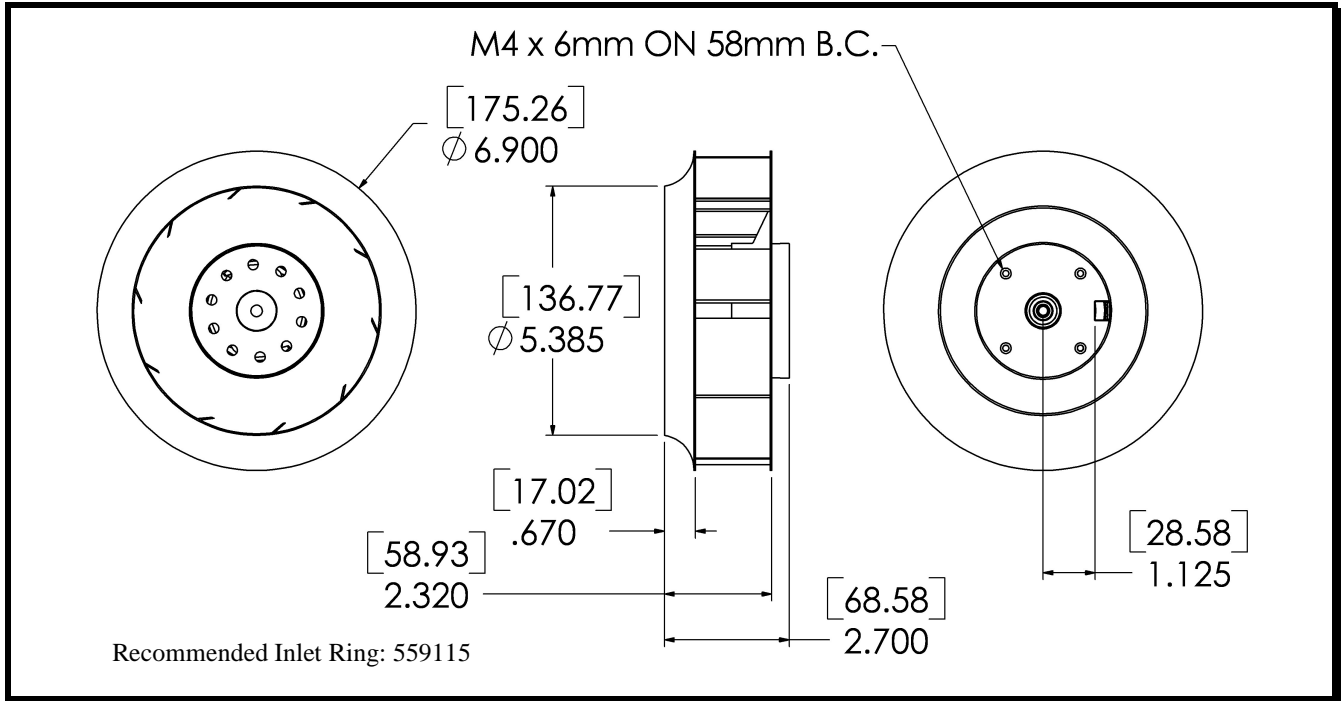


Figure 1

C.) ADDITIONAL FEATURES

TACHOMETER OUTPUT:

Open Collector Output
 $V_C = 60\text{vdc max.}$
 $I_C = 80\text{mA Max.}$
 2 Pulses per Revolution
 Non-isolated

PROGRAMMABLE SPEED CONTROL:

Base Frequency:
 Response:

PWM
 200Hz ~ 20KHZ
 Off - 0% to 10%
 Low Speed - 10% duty cycle
 Linear ramp - 10% to 100% duty cycle
 Full Speed - 100% duty cycle

D.) ENVIRONMENTAL

OPERATING TEMPERATURE:

-10°C to 70°C

STORAGE TEMPERATURE:

-40°C to +75°C



Comair Rotron Specification Sheet

Specification Date: Dec 10,2009

Version 01

RoHS Compliant

COMAIR ROTRON PART NUMBER:

043171

COMAIR ROTRON MODEL NUMBER:

DD692748Z1E5X

E.) PERFORMANCE CHARACTERISTICS

AIR FLOW:

354 CFM \pm 10%

(At Free Delivery and 48 Vdc)

STATIC PRESSURE:

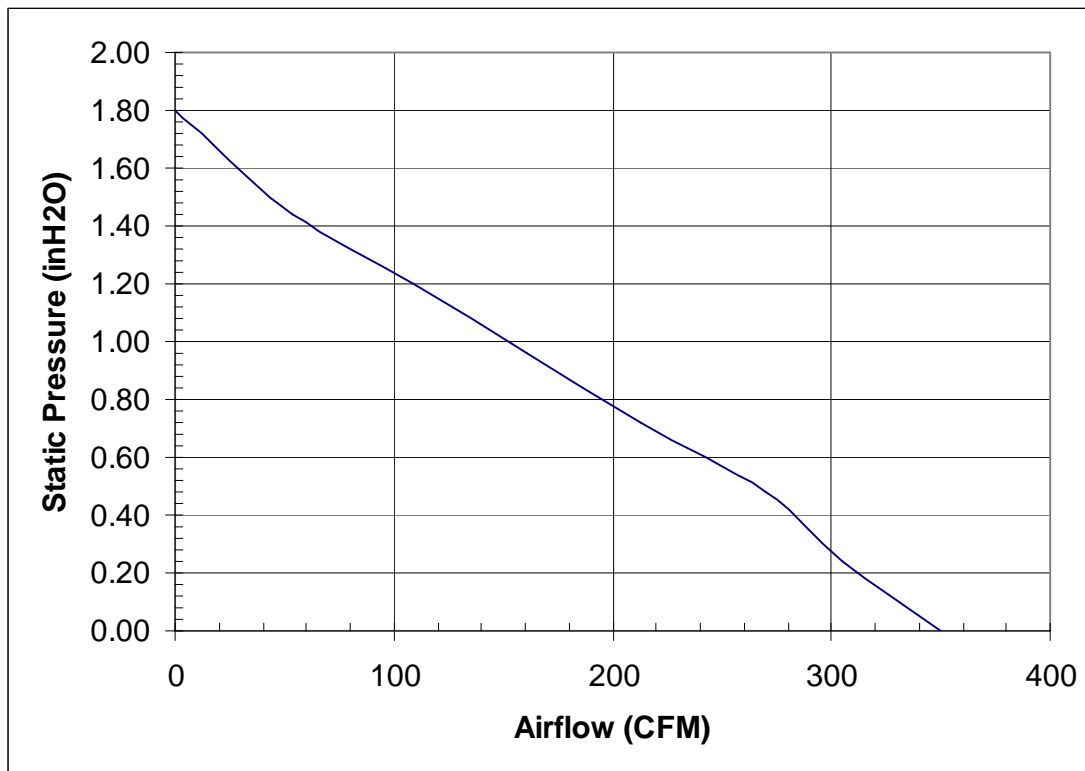
1.8" Inches of H₂O

(At Shut-Off and 48 Vdc)

ACOUSTIC LEVEL:

71.2dBA

(Freely Suspended at 1 meter per
ANSI S12.11-1987 and 48Vdc)





Comair Rotron Specification Sheet

Specification Date: Dec 10,2009

Version 01

RoHS Compliant

COMAIR ROTRON PART NUMBER: 043171
COMAIR ROTRON MODEL NUMBER: DD692748Z1E5X

F.) TERMINATION

LEADWIRES: 600mm \pm 10mm (From the edge of the venturi to the tip of the leadwire),AWG 22, UL1007
CONTACT: TJC16-YTER
CONNECTOR: Molex 39-01-2040
SLEEVE TUBE: PVC (UL or CSA approved)
(Sleeve tube to extend 25 \pm 2.0mm beyond the edge of the venturi)

PIN DESCRIPTION: Pin 1: Yellow - PWM
(Pin Numbering per Molex Sequence) Pin 2: Blue - Tach
Pin 3: Red -Power(+)
Pin 4: Black - Power(-)

G.) RELIABILITY

This fan is designed for continuous duty life of 50,000 Hours at 40°C, (L10).

H.) SAFETY



I.) Flammability

The all components of the motorized impeller meet a UL94V-0 rating.

Notes:

All parameters will perhaps fluctuate with the speed tolerance by + / - 10%.