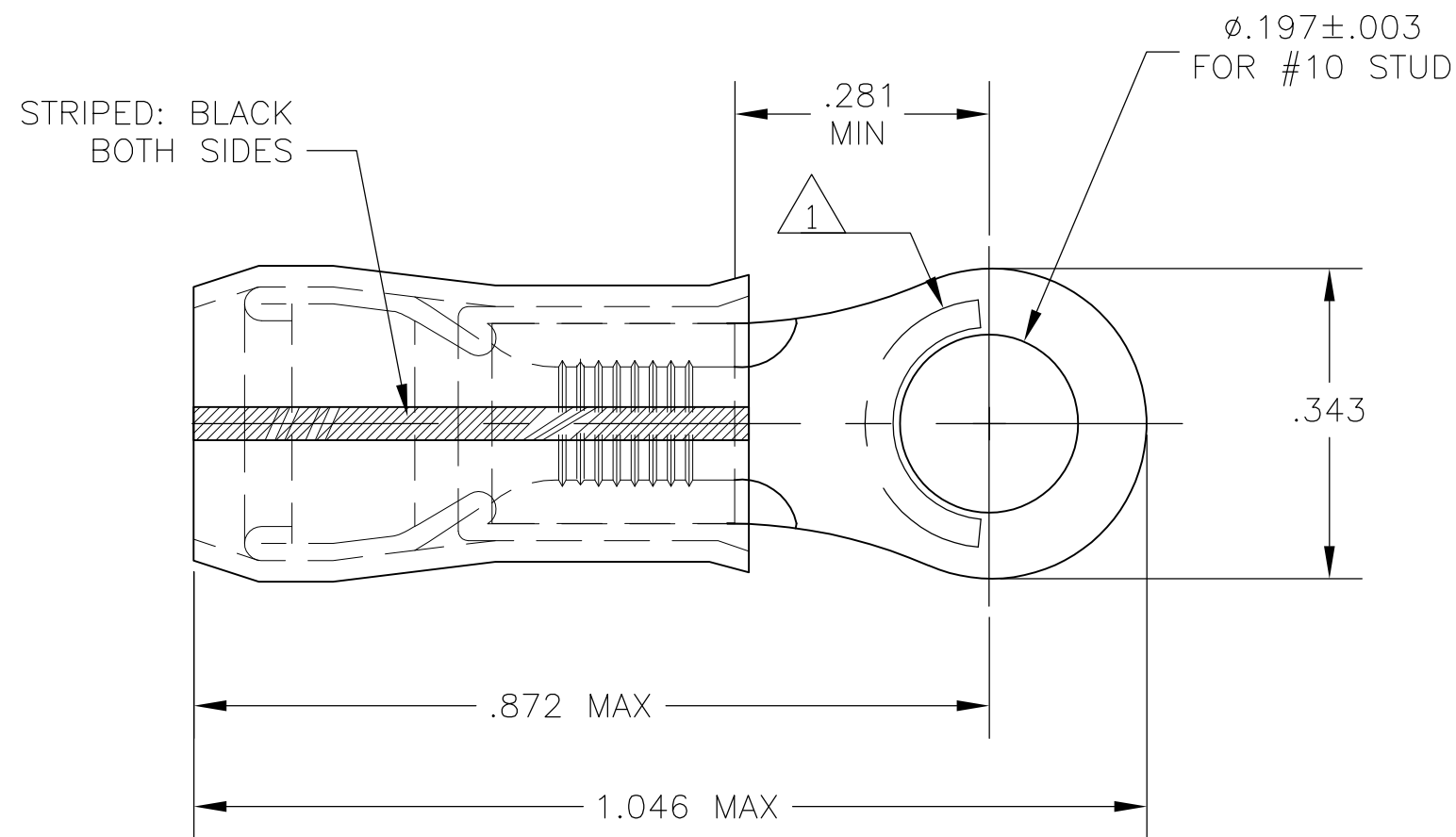


THIS DRAWING IS UNPUBLISHED. RELEASED FOR PUBLICATION
 © COPYRIGHT - BY TYCO ELECTRONICS CORPORATION. ALL RIGHTS RESERVED.

LOC	DIST	REVISIONS					
		P	LTR	DESCRIPTION	DATE	DWN	APVD
G	14						
			C1	REV PER ECR 08-020864	19AUG08	JR	TM



- 1 STAMP "AMP 16-14 HD*" LOCATED APPROX AS SHOWN.
- 2 TONGUE MATERIAL THK IS .050 MAX
- 3 FOR .230 MAX WIRE INSULATION DIA.

BODY & SLEEVE: COPPER PER ASTM B152 TIN LEAD (93-7) PLATE PER ASTM B545 (3% MIN LEAD CONTENT) INSULATION: PVF2, COLOR - NATURAL	53983-1
MATERIAL & FINISH	PART NO

THIS DRAWING IS A CONTROLLED DOCUMENT.		DWN jr_ruth 14SEP04	Tyco Electronics Corporation Harrisburg, PA 17105													
DIMENSIONS: INCHES		CHK T MICHELUTTI 14SEP04	NAME T MICHELUTTI													
TOLERANCES UNLESS OTHERWISE SPECIFIED:		APVD T MICHELUTTI 14SEP04	PRODUCT SPEC -													
<table border="0"> <tr><td>0 PLC</td><td>± -</td></tr> <tr><td>1 PLC</td><td>± -</td></tr> <tr><td>2 PLC</td><td>± -</td></tr> <tr><td>3 PLC</td><td>± .008</td></tr> <tr><td>4 PLC</td><td>± -</td></tr> <tr><td>ANGLES</td><td>± 5°</td></tr> </table>		0 PLC	± -	1 PLC	± -	2 PLC	± -	3 PLC	± .008	4 PLC	± -	ANGLES	± 5°	APPLICATION SPEC -		WIRE TERMINAL PVF2 - PIDG - RING TONGUE WIRE SIZE : 16-14 HD
0 PLC	± -															
1 PLC	± -															
2 PLC	± -															
3 PLC	± .008															
4 PLC	± -															
ANGLES	± 5°															
MATERIAL -	FINISH -	WEIGHT -	SIZE A3	CAGE CODE 00779												
CUSTOMER DRAWING			DRAWING NO G-53983	RESTRICTED TO -												
			SCALE 5:1	SHEET 1 OF 1												
			REV C1													