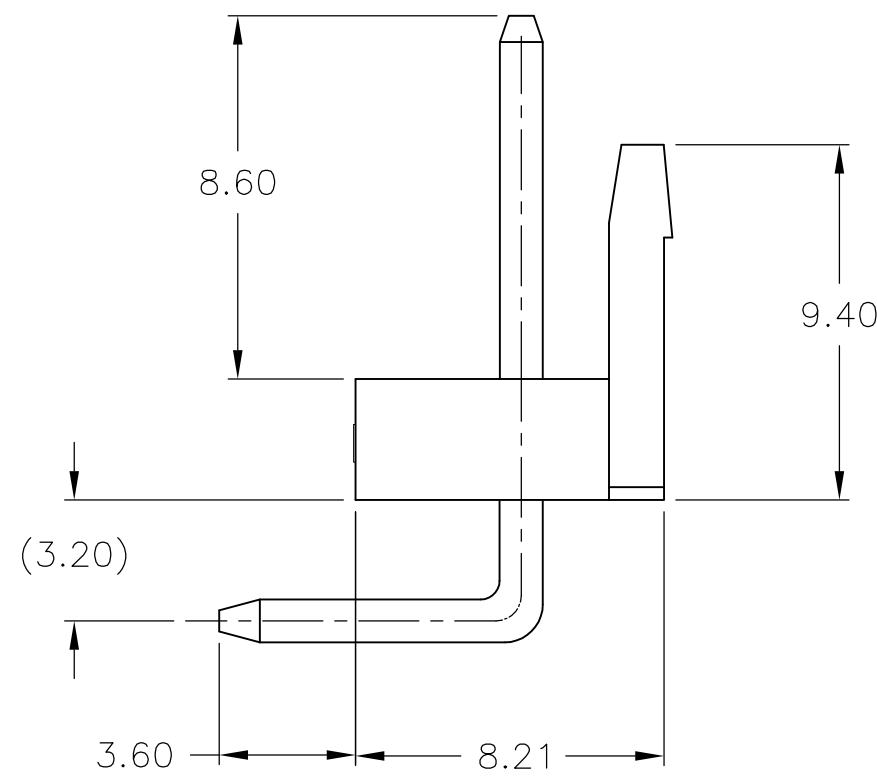
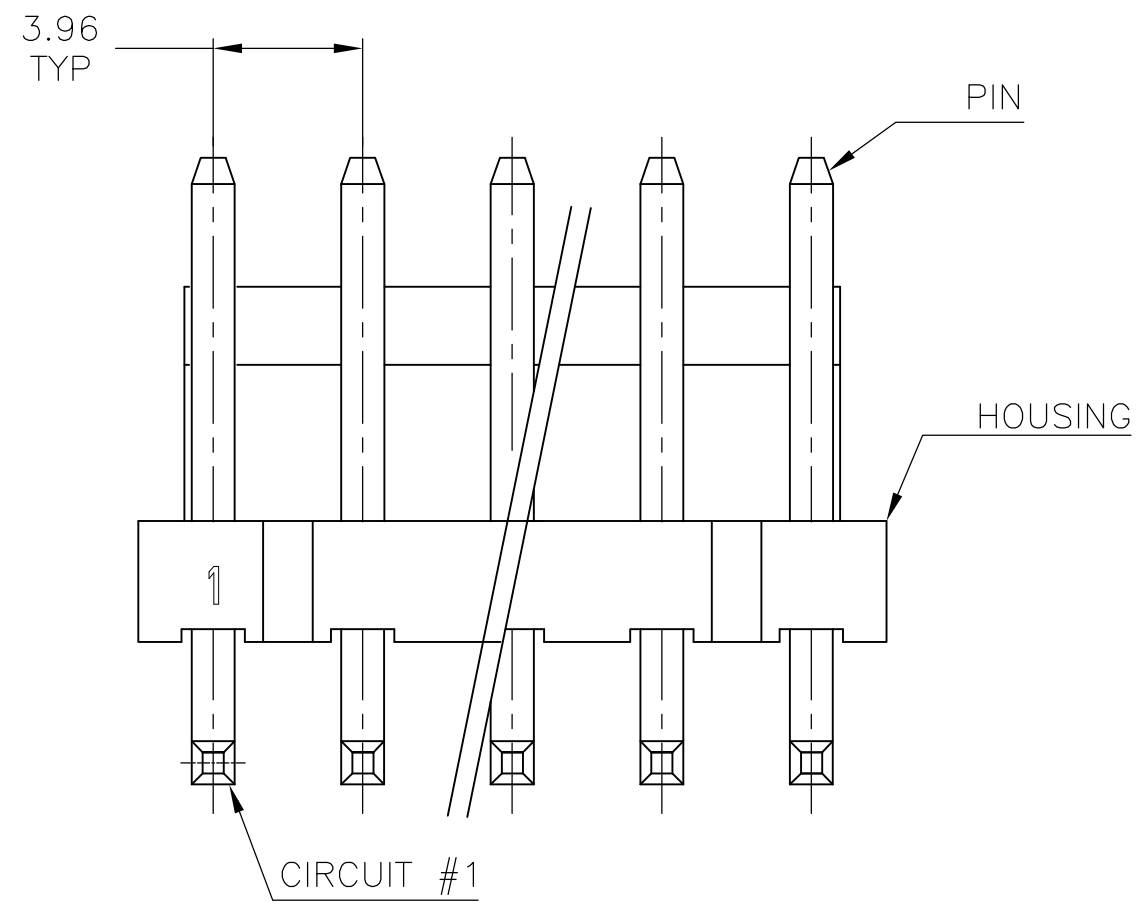
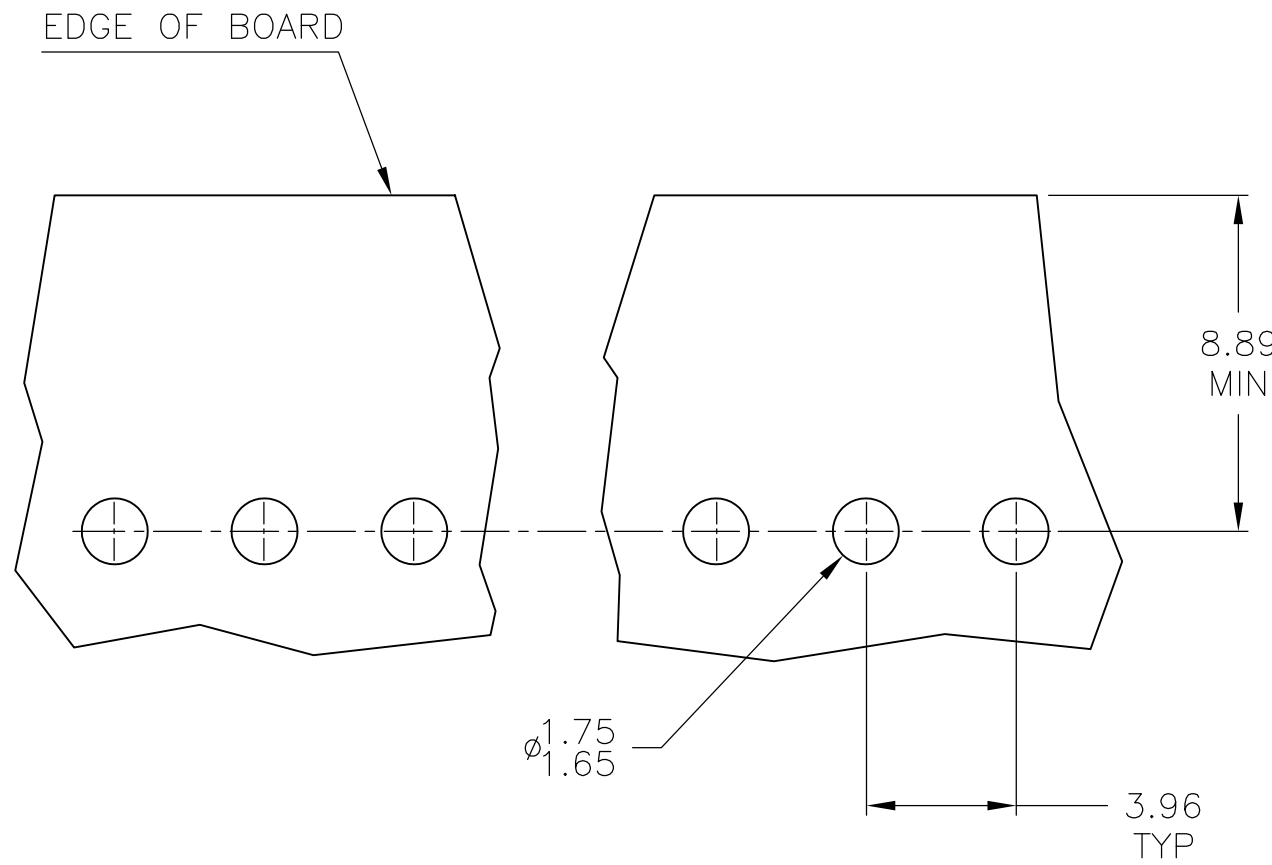
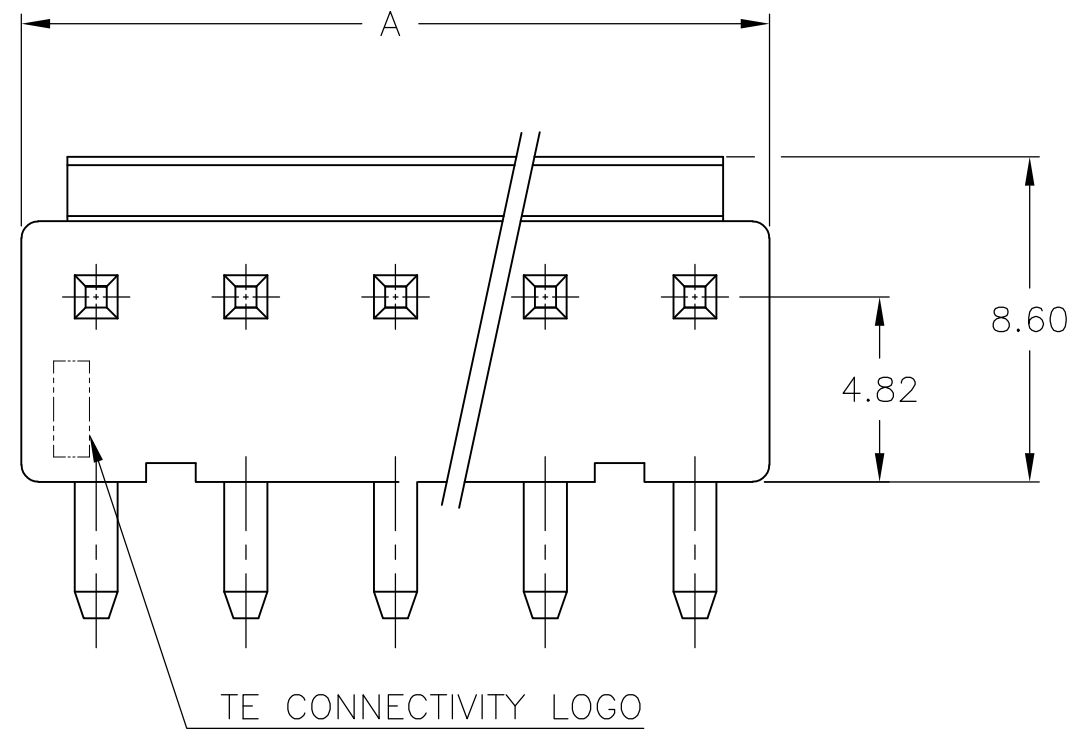


THIS DRAWING IS UNPUBLISHED. RELEASED FOR PUBLICATION  
 © COPYRIGHT - By - ALL RIGHTS RESERVED.

REVISIONS				
P	LTR	DESCRIPTION	DATE	APVD
D1		REVISED PER ECR-16-017535	19JAN2017	O.C D.Z

- MATERIAL :  
HOUSING : NYLON, UL94-V0  
PIN : BRASS.
- FINISH:  
PIN : 80u" MIN. TIN PLATED ON CONTACT AREA.
- COMPLY WITH GLOW WIRE REQUIREMENTS FOR PARTS OF NON-METALLIC MATERIAL SUPPORTING A CURRENT-CARRYING CONNECTION DETAILED IN IEC 60335-1, SECTION 30(GWT)



47.52	12	1-1744428-2
43.56	11	1-1744428-1
39.60	10	1-1744428-0
35.64	9	1744428-9
31.68	8	1744428-8
27.72	7	1744428-7
23.76	6	1744428-6
19.80	5	1744428-5
15.84	4	1744428-4
11.88	3	1744428-3
7.92	2	1744428-2
DIM. A CIRCUITS		PART NUMBER

THIS DRAWING IS A CONTROLLED DOCUMENT.		DWN JR RUTH 09JAN12		
DIMENSIONS: mm		CHK SAM MACE 09JAN12		
TOLERANCES UNLESS OTHERWISE SPECIFIED:		APVD SAM MACE 09JAN12	NAME ASSEMBLY, EP HEADER, RIGHT ANGLE	
0 PLC ± -		PRODUCT SPEC 108-5609	SIZE A2	CAGE CODE 00779
1 PLC ± -		APPLICATION SPEC	DRAWING NO C=1744428	RESTRICTED TO
2 PLC ± 0.20		WEIGHT 0.000000	SCALE 5:1	SHEET 1 of 1
3 PLC ± -		CUSTOMER DRAWING	REV D1	
4 PLC ± -				
ANGLES ± 30'				
FINISH				