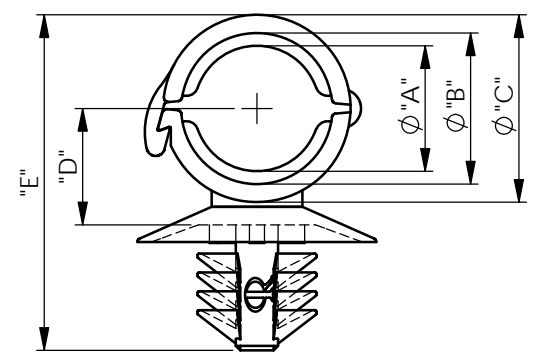
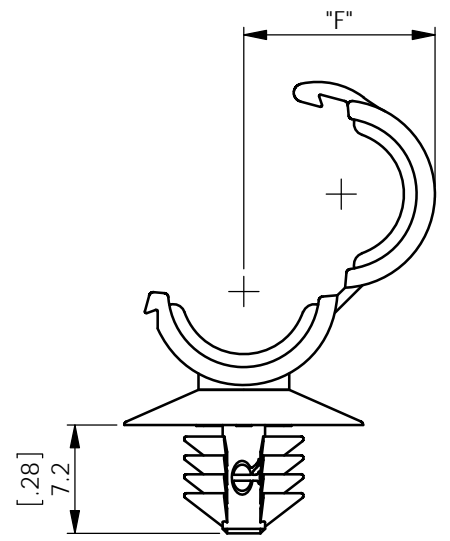
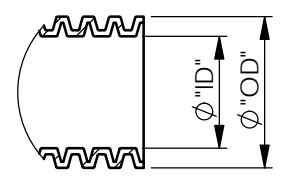
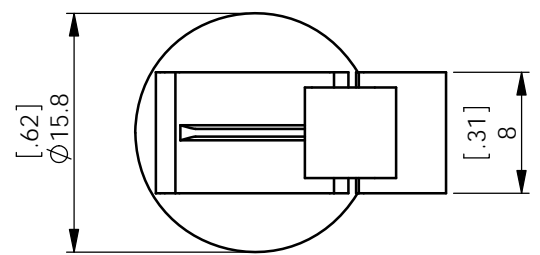


| REV. | MODIFICATION. | DATE | DRN |
|------|--------------------|----------|-----|
| 01 | Production Release | 18/09/08 | MT |
| 02 | CO2010437 | 10/10/08 | MT |
| 03 | CO2010507 | 10/12/08 | MT |
| 04 | CO2011057 | 16/02/11 | SF |
| 05 | CO2011135 | 14/04/11 | SF |
| 06 | CO2011170 | 20/07/11 | SF |



NOTE:

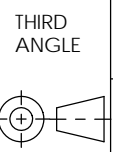
- HLCC-1-01WH IS ONLY AVAILABLE IN NYLON 6/6 UL94 V-2 (RMS-01) MATERIAL BY SPECIAL ORDER.

ALTERNATE UNITS FOR REFERENCE ONLY

INFORMATION CONTAINED IN THIS DOCUMENT IS CONFIDENTIAL TO RICHCO INTERNATIONAL Co. Ltd. AND MAY NOT BE DISCLOSED OR REPRODUCED IN WHOLE OR PART WITHOUT THEIR WRITTEN CONSENT.

RICHCO, INC.
WWW.RICHCO-INC.COM

ALL DIMENSIONS IN mm
GENERAL TOLERANCES ±0.25
UNLESS OTHERWISE STATED
1 DECIMAL PLACE ±
2 DECIMAL PLACES ±
ANGULAR ±1°



| MATL: NYLON 6/6 UL94 V-2 (RMS-01), COLOUR: WHITE | MATL: NYLON 6/6 RMS-47, COLOUR: BLACK | RECOMMENDED CORRUGATED TUBE SIZE | | PANEL HOLE DIA | PANEL THICKNESS | "A" | "B" | "C" | "D" | "E" | "F" |
|--|---------------------------------------|----------------------------------|--------------|--------------------------|------------------------|--------------|--------------|---------------|--------------|---------------|---------------|
| | | ID Ø | OD Ø | | | REF | REF | REF | REF | REF | REF |
| HLCC-1-01WH | HLCC-1BK | 5 [.20] | 7.1 [.28] | 6.5 - 7.0 [.26 - .28] | 0.8 - 3 [.03 - .12] | 5.8 [.23] | 7.2 [.28] | 9.6 [.38] | 6.3 [.25] | 19.7 [.78] | 9.8 [.39] |
| - | HLCC-2BK | 6.9 [.27] | 9.9 [.39] | | | 8.3 [.33] | 10 [.39] | 12.4 [.49] | 7.7 [.30] | 22.2 [.87] | 12.6 [.50] |

| | | | | | |
|--|------------------|----------------------|------------------|-----------------------|---------------------|
| MATERIAL: SEE TABLE & NOTE 1. | | | | COLOUR: SEE TABLE | |
| DESCRIPTION: HINGED LOCKING CABLE CLAMP | | | | PART NO: SEE TABLE | |
| DRG No: 08-047 | | NPR No: DE08-0059 | | SHEET SIZE A4 | |
| DRN MT | DATE 27/11/08 | CHKD TC | DATE 12/12/08 | SCALE NTS | SHEET No. 1 OF 1 |