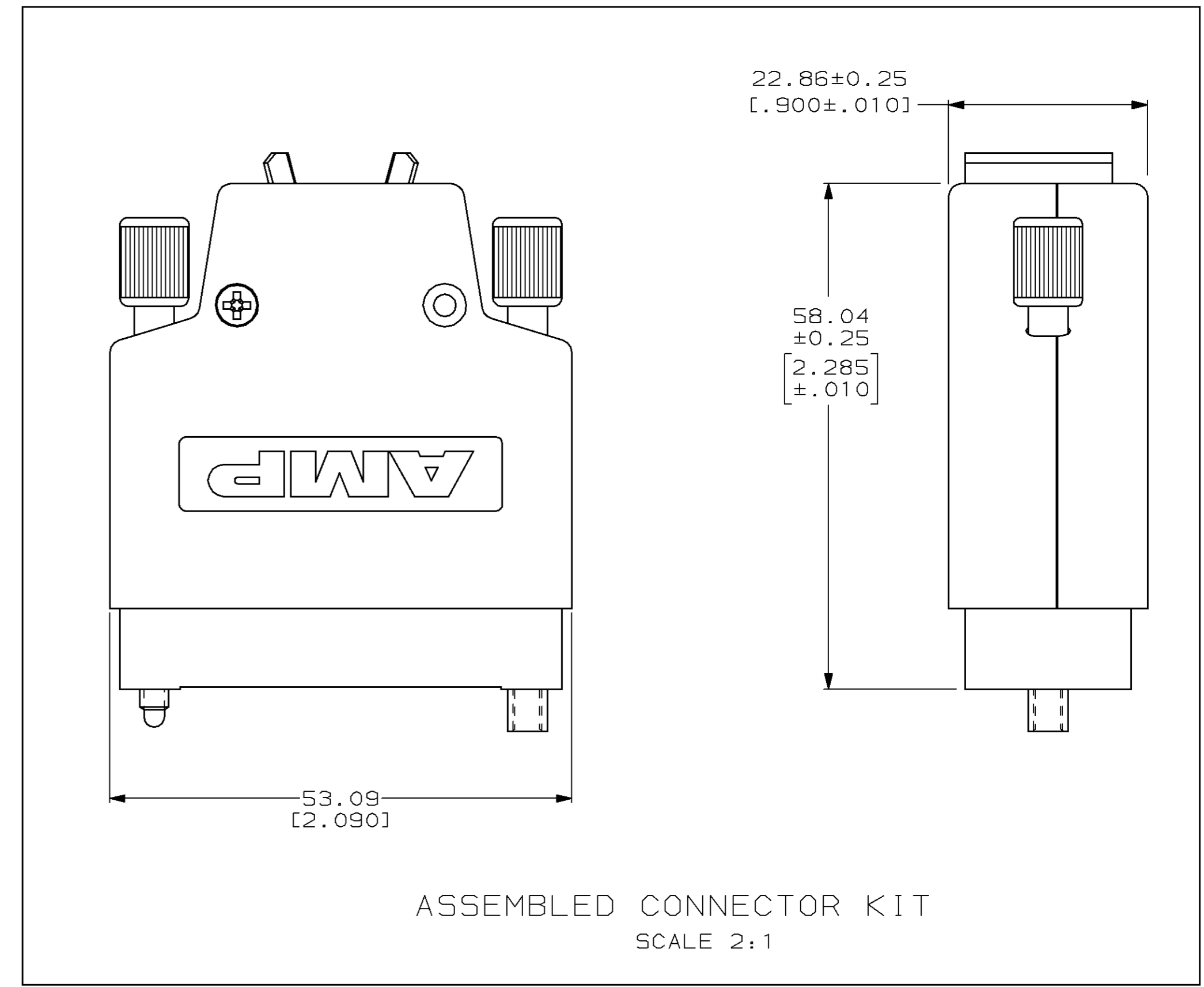
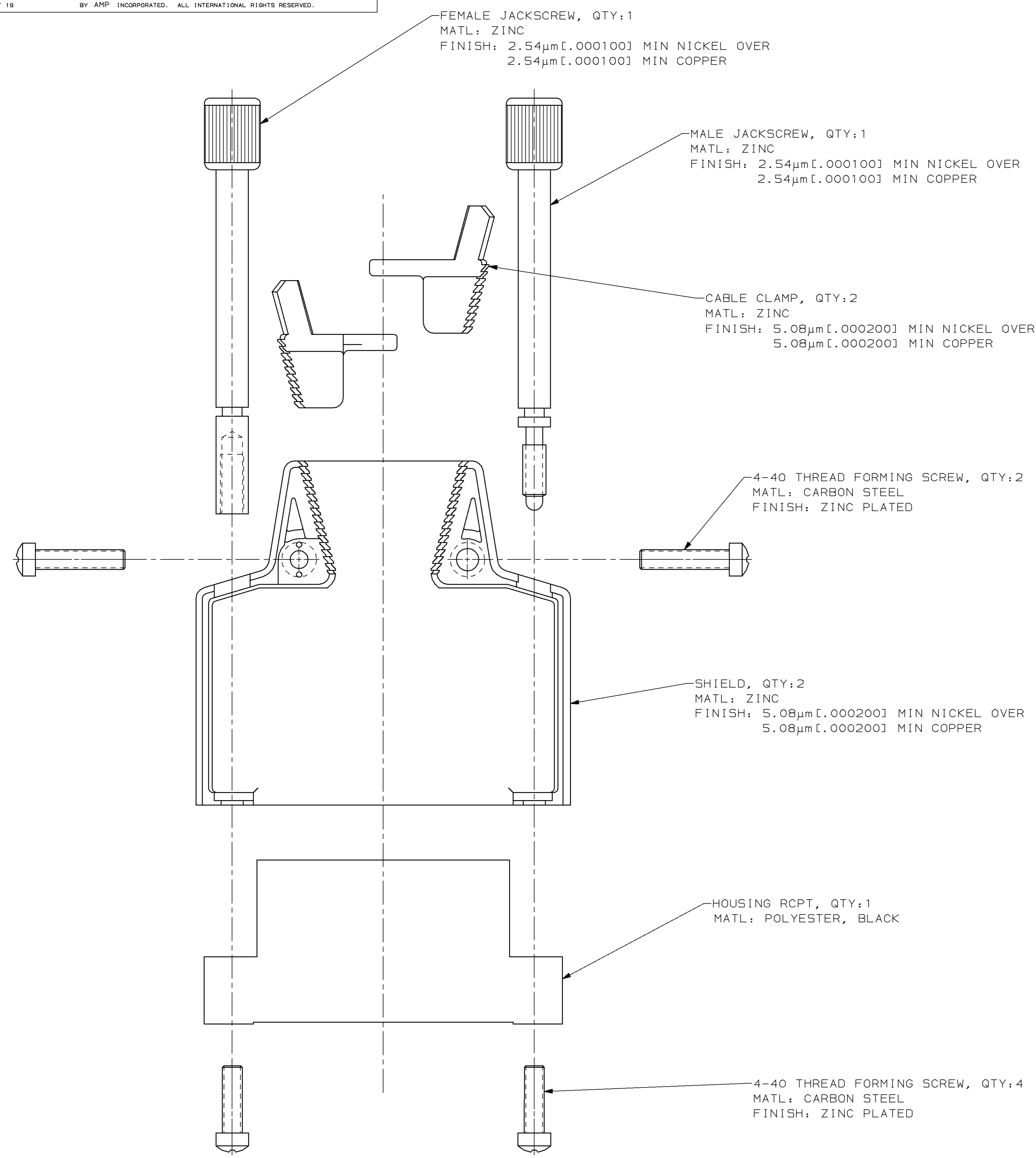


| LOC |   | DIST |  | P |  | F |  | ZONE |  | LTR |  | REVISIONS   |   |           |    |
|-----|---|------|--|---|--|---|--|------|--|-----|--|-------------|---|-----------|----|
| FT  | 8 |      |  |   |  |   |  |      |  |     |  | DESCRIPTION | DATE  | APPD      |    |
|     |   |      |  |   |  |   |  |      |  |     |  | 0           | RLSE -1 & -2 PER NPR 5125 WAS<br>94-7965-002-01 & -02 | 08-16-94  | TC |
|     |   |      |  |   |  |   |  |      |  |     |  | A           | REV PER EC 0020-268-95                                | 03/27/95  | TC |
|     |   |      |  |   |  |   |  |      |  |     |  | B           | ADDED -3 PER EC 002-283-96                            | 15 MAR 96 | MM |
|     |   |      |  |   |  |   |  |      |  |     |  | C           | REV PER EC 0320-163-96                                | 08 JAN 97 | MM |



|                           |          |
|---------------------------|----------|
| 10.16-15.24 [ .400-.600 ] | 213805-3 |
| 6.35-10.16 [ .250-.400 ]  | 213805-2 |
| 3.81-7.62 [ .150-.300 ]   | 213805-1 |
| CABLE DIAMETER            | PART NO  |

|   |  |                            |                    |   |  |
|---|--|----------------------------|--------------------|---|--|
| DO NOT SCALE PRINT.<br>UNLESS SPECIFIED<br>DIMENSIONS IN mm [INCHES]<br>TOLERANCES ON:<br>2 PLC DEC ± 0.13(.005)<br>3 PLC DEC ± -<br>ANGLES ± - |  | DR 08-16-94<br>D.BROCKWAY  |                    | AMP Incorporated<br>Harrisburg, PA 17105-3608                     |  |
| SEE CALLOUTS  |  | CHK 10-05-94<br>R.STONE    |                    |   |  |
| FINISH<br>SEE CALLOUTS  |  | APPD 10-06-94<br>T.COULSON |                    | NAME<br>CONNECTOR KIT, UNASSEMBLED,<br>34 POSITION, V.35 M SERIES |  |
| APPLICATION SPEC<br>-   |  | SIZE<br>D                  | CAGE CODE<br>00779 | DRAWING NO<br>213805  |  |
| WEIGHT<br>-   |  | SCALE<br>3:1               | SHEET<br>1 OF 1    |   |  |