

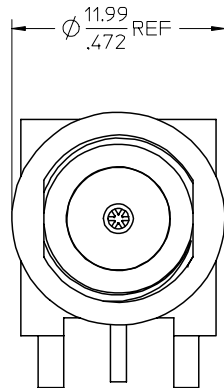
MATERIALS AND FINISHES

BODY, ZINC ALLOY
PLATED MATTE TIN OVER NICKEL

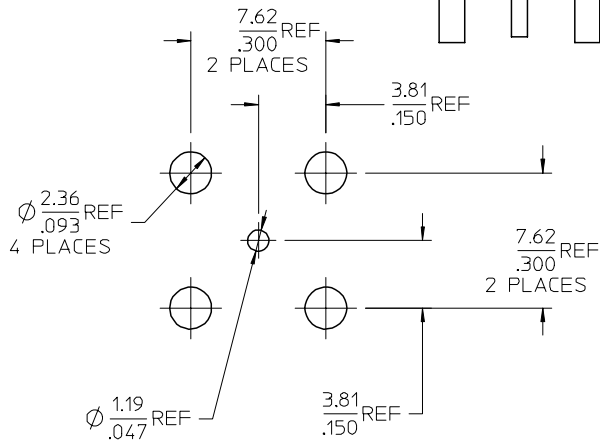
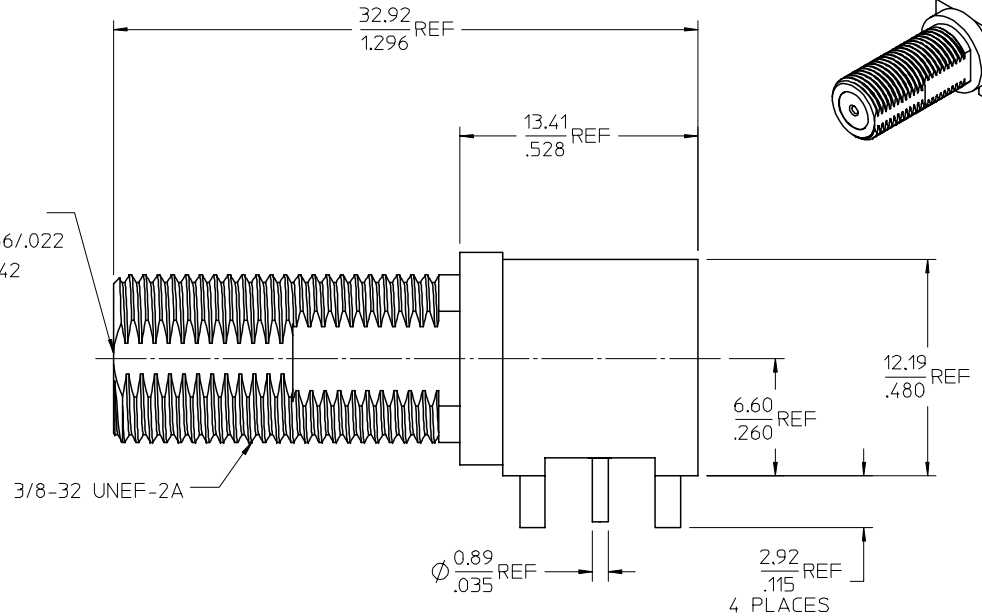
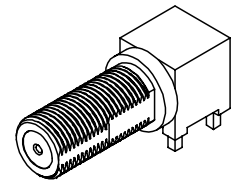
REAR CONTACT BRASS OR PHOSPHOR BRONZE
PLATED MATTE TIN OVER NICKEL

FRONT CONTACT BERYLLIUM COPPER
PLATED GOLD

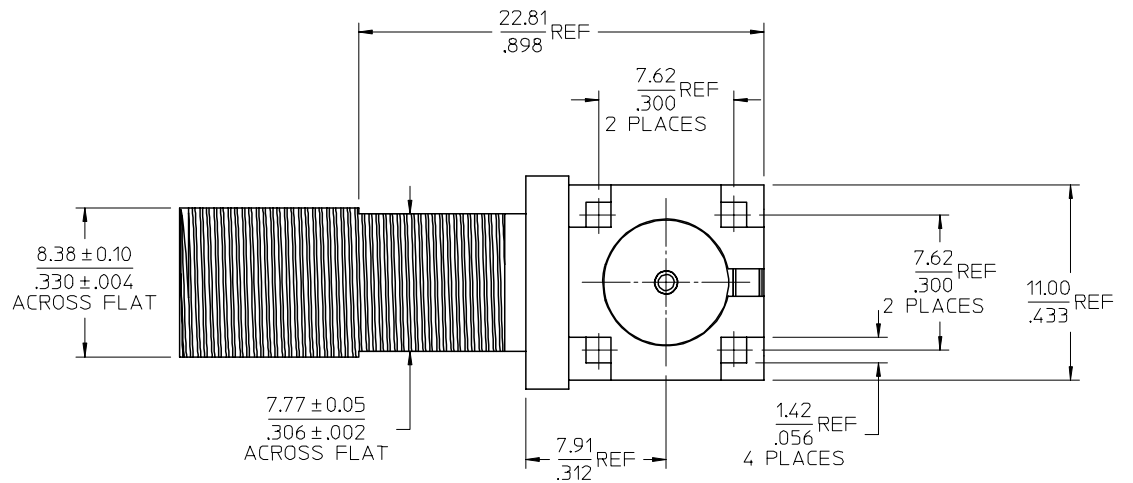
INSULATOR TEFLON



F JACK
INTERFACE
ACCEPTS $\phi 0.561.022$
THRU $\phi 1.071.042$



RECOMMENDED PCB LAYOUT



PART # 73330-0180

CHG: REDREW TO SHOW REVISED COMPONENTS EC NO: URF2006-0268 DRAWN: FLAHERTY 2005/12/16 CHKD: SHAH 2005/12/16 APPR: JIMENER 2005/12/16 A1	QUALITY SYMBOLS ▽=0 ▽=0	GENERAL TOLERANCES (UNLESS SPECIFIED)		DIMENSION STYLE MM/IN		SCALE	DESIGN UNITS METRIC	THIRD ANGLE PROJECTION			
		4 PLACES ± --- ± --- 3 PLACES ± --- ± --- 2 PLACES ± --- ± --- 1 PLACE ± --- ± ---	mm INCH	DRAWN BY JOHN	DATE 2005/08/09	F R/A .75 OHM PCB TYPE, EWR-2968 F-RA/PCB					
		ANGULAR ± 2 °		CHECKED BY KERRIE	DATE 2005/08/09	MOLEX INCORPORATED					
		DRAFT WHERE APPLICABLE MUST REMAIN WITHIN DIMENSIONS		APPROVED BY MISEN	DATE 2005/08/09	MATERIAL NO. 733300180	DOCUMENT NO. SD-73330-018	SHEET NO. 1 OF 1			