

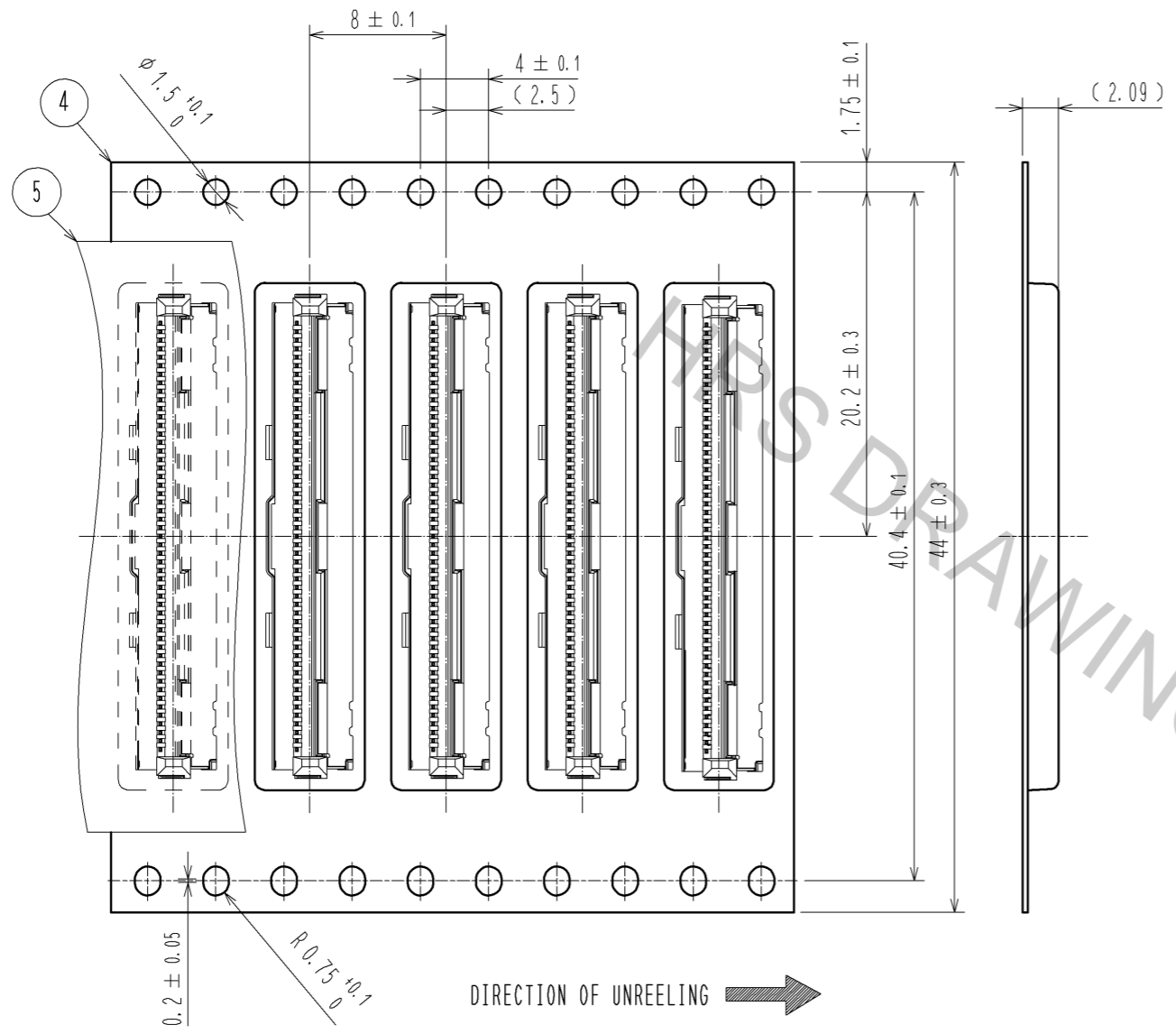
ITEM No.	PART NAME	PART No.	CODE No.
1, 2, 3	CONNECTOR UNIT	DF80D-50P-0.5SD(52)	CL662-8020-7-52
-	METAL SHIELDING	DF80-50P-SHL(52)	CL662-8009-4-52

- NOTES**
1. APPLICABLE CABLE: DISCRETE CABLE(AWG#32~AWG#36), MICRO COAXIAL CABLE (AWG#40~AWG#46)
  2. THIS CONNECTOR IS NOT HOT PLUGGABLE. MATE AND UNMATE WHILE THE POWER IS OFF.
  - 3 THE ASSEMBLY IS COMPLETED BY COMBINING TWO PARTS 'CONNECTOR UNIT, AND METAL SHIELDING'. REFER TO THE TABLE FOR EACH ITEM No., PART NAME, PART No. AND CODE No.
  - 4 SOLDER A GRAND BAR WITH AN EXTERNAL CONDUCTOR OF THE CABLE ABOUT STICKING A GRAND BAR TOGETHER.
  - 5 PLEASE CONSULT ABOUT THE USE OF THE POTTING AND KAPTON TAPE SEPARATELY.

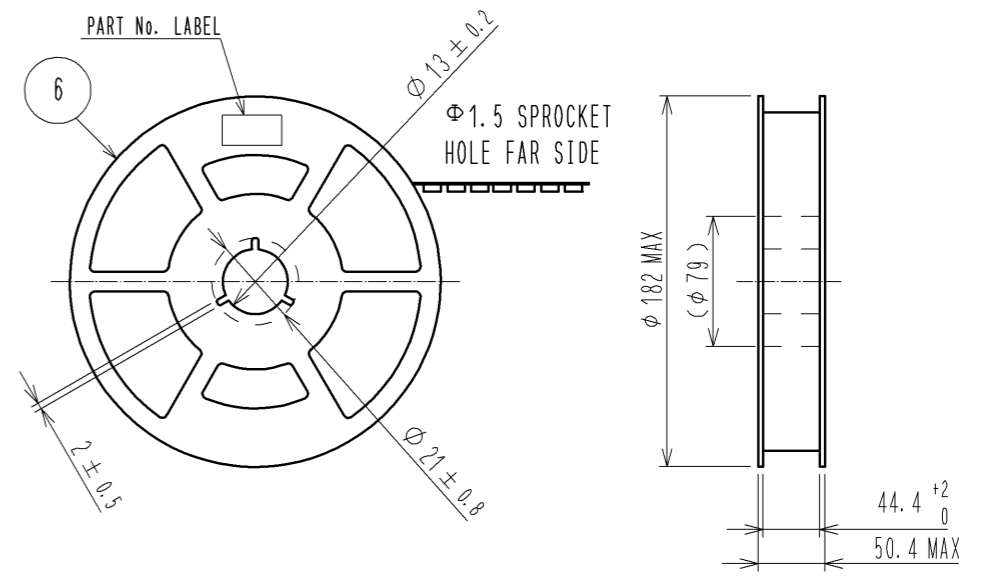
NO.	MATERIAL	FINISH	REMARKS	NO.	MATERIAL	FINISH	REMARKS
2	PHOSPHOR BRONZE		CONTACT AREA : Au PLATING 0.05μmMIN TERMINATION AREA : Au PLATING 0.05μmMIN UNDER PLATING : Ni PLATING 1μmMIN	6	PS		BLACK
1	LCP		UL94V-0, BLACK	5	PHPOLYESTER		CLEAR
				4	PS		CLEAR
				3	STAINLESS		WHOLE AREA : Sn PLATING 1μmMIN UNDER PLATING : Ni PLATING 0.2μmMIN

UNITS	SCALE	COUNT	DESCRIPTION OF REVISIONS	DESIGNED	CHECKED	DATE
mm	FREE	△				
APPROVED : MH. YAMANE			13.08.30	DRAWING NO. EDC3-351373-02		
CHECKED : MH. TSUCHIDA			13.08.30	PART NO. DF80D-50P-0.5SD(52)		
DESIGNED : IO. DENPOUYA			13.08.29	CODE NO. CL662-8020-7-52		
DRAWN : IO. DENPOUYA			13.08.29	△ 1/2		



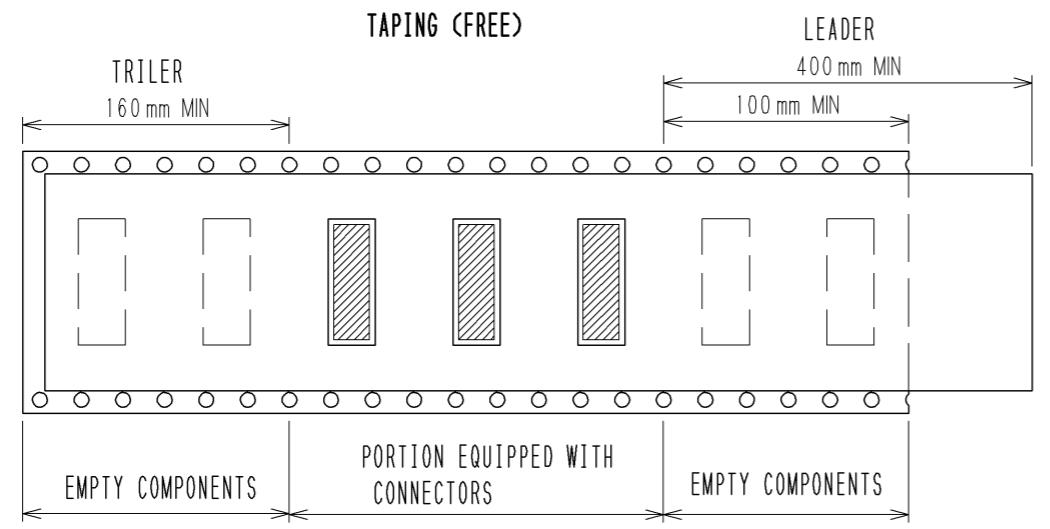
STYLE AND DIMENSION OF REEL (FREE)



DETAIL OF PART No. LABEL

生産月日	年月日
図番	CL662-8020-7-52
品名	DF80D-50P-0.5SD(52)
納入数量	500個
納入者	ヒロセ電機株式会社

- SUPPLIER
- QUANTITY
- PART No.
- CODE No.
- DATE OF MANUFACTURED



<b>HRS</b>	DRAWING NO.	EDC3-351373-02
	PART NO.	DF80D-50P-0.5SD(52)
	CODE NO.	CL662-8020-7-52
		△ 2/2