

Model No: SDS-P830880
 Product Line: Peerless

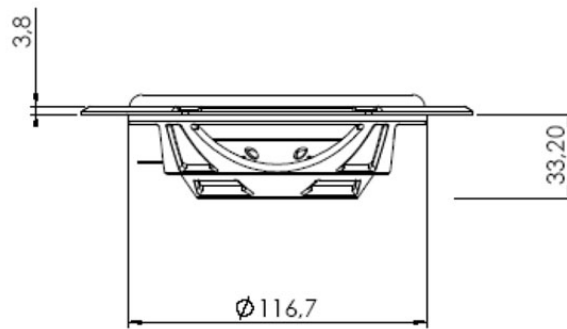
Rev: 1
 Last Update: 2017-04-21 12:39:42

Product Description

The SDS passive radiator family offers low resonant frequency performance, ideally suited for compact sealed enclosures. This 5.25 inch member of the SDS family is a passive radiator, designed to match up with SDS subwoofers, and features a coated paper cone with rubber surround, and a narrow-profile steel basket shaped to fit into narrow cabinets.



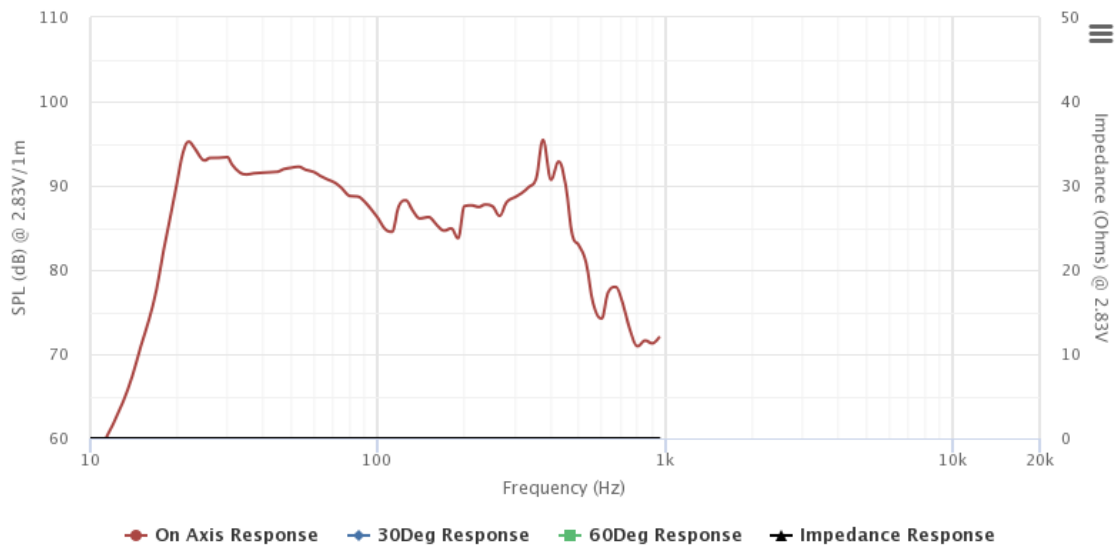
Mechanical Drawing



Specifications

DC Resistance	Revc	Ohms	0	5.0%	Energy Bandwidth Product	EBP	(1/Qes)*fs
Minimum Impedance	Zmin	Ohms	0	7.5%	Moving Mass	Mms	g
Voice Coil Inductance	Le	mH	0		Suspension Compliance	Cms	um/N
Resonant Frequency	Fs	Hz	0	15%	Effective Cone diameter	D	cm
Mechanical Q Factor	Qms		0		Effective Piston Area	Sd	cm^2
Electrical Q Factor	Qes		0		Effective Volume	Vas	L
Total Q Factor	Qts		0		Motor Force Factor	BL	Tm
Ratio Fs/Qts	F	Fs/Qts			Motor Efficiency Factor	β	(T*M^2)/Ohms
Half Space Sensitivity @2.83V	db@2.83V/1M	dB	28.65	+/- 1.0db	Voice coil former Material	VCfm	
Half Space Sensitivity @1W/1M	db@1W/1M	dB	0	+/- 1.0db	Voice coil inner diameter	VCd	mm
Gap Height	Gh	mm	0		Rated Noise Power	P	W
Maximum Linear Excursion	Xmax	mm	0		Test Spectrum Bandwidth		
Ferrofluid Type	FF				Driver Size	Inch	5.25 in
Driver Mass	Kg		0.18				

Frequency and Impedance Response



Highcharts.com