

THIS DRAWING IS UNPUBLISHED. RELEASED FOR PUBLICATION
 © COPYRIGHT - BY TE CONNECTIVITY ALL RIGHTS RESERVED.

LOC HB DIST -

REVISIONS				
P	LTR	DESCRIPTION	DATE	APVD
D1		CHANGE THE WIDTH OF THE TERMINAL FROM 0.6MM TO 0.8 MM	04-AUG-14	Q.L. B.F

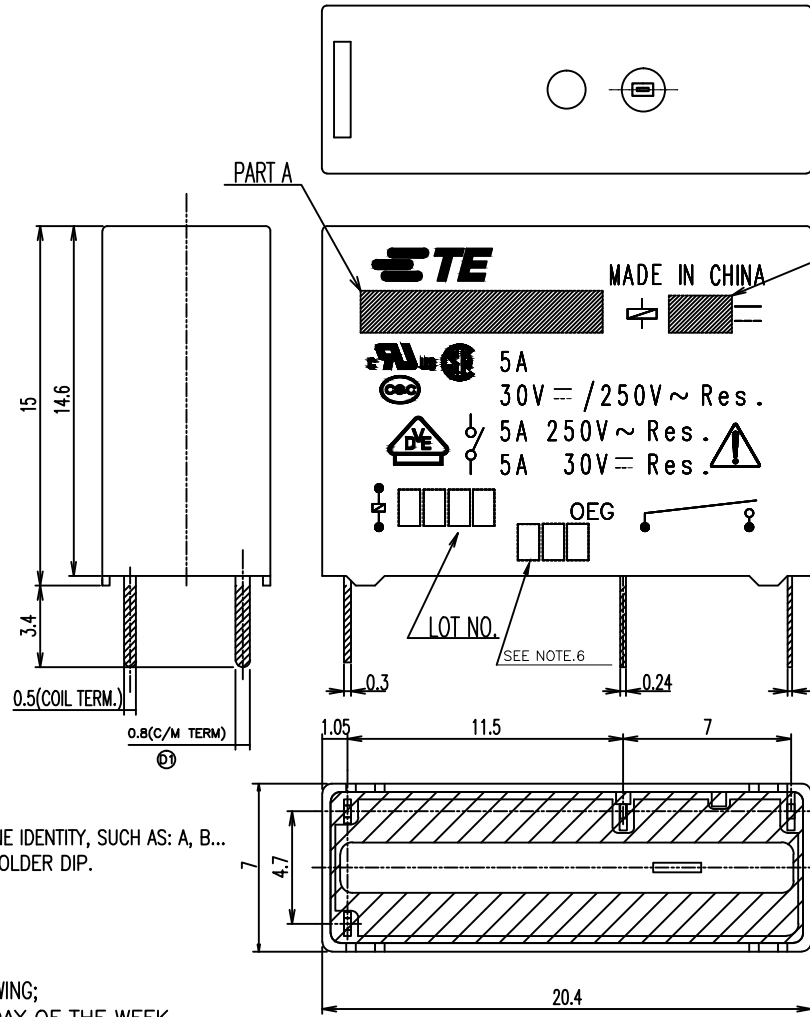
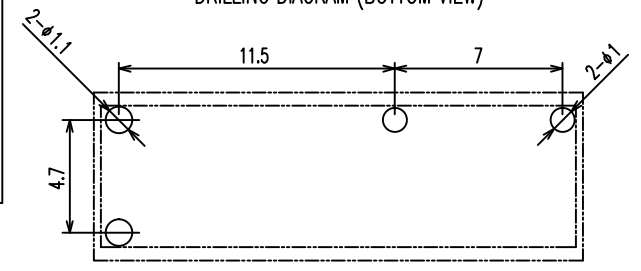
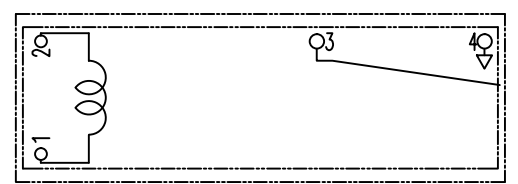


Diagram dimension	Tolerance
0.99mm max.	±0.1mm
1 - 2.99mm	±0.2mm
3mm min.	±0.3mm

DRILLING DIAGRAM (BOTTOM VIEW)

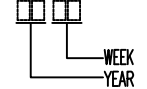


CIRCUIT DIAGRAM (BOTTOM VIEW)



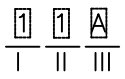
NOTE:

1.LOT NO SYSTEM AS FOLLOWING:



- 2.ONE CHARACTER DISTINGUISH THE LINE IDENTITY, SUCH AS: A, B...
- 3.TERMINAL DIMENSION IS BEFORE SOLDER DIP.
- 4.FOR THE TIN-PLATING OF THE PINS:
 +0.1mm FOR WIDTH,THICKNESS AND DIAMETER.
 +0.5mm FOR LENGTH.

- 5.MARKING FROM INK CHANGE TO LASER
- 6.ADD LOT NO. SYSTEM AS FOLLOWING;



- I. DIGITS FOR DAY OF THE WEEK
 1...MONDAY IN THIS WEEK;
 2...TUESDAY IN THIS WEEK;

 7...SUNDAY IN THIS WEEK
- II. DIGITS FOR SHIFT OF THE DAY
 1...DAY SHIFT IN THIS DAY;
 2...NIGHT SHIFT IN THIS DAY;
- III. ONE CHARACTER DISTINGUISH THE LINE IDENTITY, SUCH AS: A,B.....Z

THIS DRAWING IS A CONTROLLED DOCUMENT.

DIMENSIONS:	TOLERANCES UNLESS OTHERWISE SPECIFIED:
mm	0 PLC ± -
	1 PLC ± -
	2 PLC ± -
	3 PLC ± -
	4 PLC ± -
	ANGLES ± -
MATERIAL	FINISH
-	-

DWN Q.L.	TE Connectivity NAME PCJ SPEC ,303			
CHK B.F				
APVD SUNNY				
PRODUCT SPEC				
APPLICATION SPEC	SIZE A3	CAGE CODE 00779	DRAWING NO C=1721531	RESTRICTED TO
WEIGHT -	CUSTOMER DRAWING			SCALE 5:1
SHEET 1 of 2			REV D1	

4

3

2

1

THIS DRAWING IS UNPUBLISHED. RELEASED FOR PUBLICATION
 © COPYRIGHT - BY TE CONNECTIVITY ALL RIGHTS RESERVED.

LOC	DIST	REVISIONS					
HB	-	P	LTR	DESCRIPTION	DATE	DWN	APVD
		-		SEE SHEET 1	-	-	-

g	PCJ-112D3MH ,303	1721531-7	107-79014 (TRAY)	SEAL UP INSPECTION ON EVERY PRODUCT	12V	PCJ-112D3MH
f	PCJ-109D3MH ,303	1721531-6	107-79014 (TRAY)	SEAL UP INSPECTION ON EVERY PRODUCT	9V	PCJ-109D3MH
e	PCJ-124D3MH ,303	1721531-5	107-79014 (TRAY)	SEAL UP INSPECTION ON EVERY PRODUCT	24V	PCJ-124D3MH
d	PCJ-105D3MH ,303	1721531-4	107-79014 (TRAY)	SEAL UP INSPECTION ON EVERY PRODUCT	5V	PCJ-105D3MH
c	PCJ-124D3M ,303	1721531-3	107-79014 (TRAY)		24V	PCJ-124D3M
b	PCJ-112D3M ,303	1721531-2	107-79014 (TRAY)		12V	PCJ-112D3M
a	PCJ-105D3M ,303	1721531-1	107-79014 (TRAY)		5V	PCJ-105D3M
No	DESCRIPTION	TE PART NO	PACKING SPECIFICATION	DESCRIPTION	PART B	PART A

RELAY TYPE

		Sn-Cu	SOLDER	18
94V-0		PBT	CASE	17
		UV	SEAL(CASE) JUST FOR WASH TIGHT	16
		EPOXY	SEAL(CASE AND BASE)	15
		3UEW	MAGNETIC WIRE	14
94V-0		PBT	CARD	13
		Ag ALLOY	STATIONARY CONTACT	12
	SOLDER DIP	Cu ALLOY	STATIONARY TERMINAL	11
		Ag ALLOY	MOVABLE CONTACT	10
	SOLDER DIP	Cu ALLOY	MOVABLE SPRING	9
94V-0		PBT	BASE	8
		STAINLESS	HINGE SPRING	7
	NIP	STEEL	ARMATURE	6
	NIP	STEEL	CORE	5
	NIP	STEEL	YOKE	4
	SOLDER DIP	Cu ALLOY	COIL TERMINAL B	3
	SOLDER DIP	Cu ALLOY	COIL TERMINAL A	2
94V-0		PBT	BOBBIN	1
INCOMBUSTIBILITY	TREATMENT	MATERIAL	DESCRIPTION	TEM

THIS DRAWING IS A CONTROLLED DOCUMENT.

DIMENSIONS: mm	TOLERANCES UNLESS OTHERWISE SPECIFIED: 0 PLC ± - 1 PLC ± - 2 PLC ± - 3 PLC ± - 4 PLC ± - ANGLES ± -	DWN Q.L	TE Connectivity	
	MATERIAL -	CHK B.F	NAME PCJ SPEC ,303	
	FINISH -	APVD SUNNY	SIZE A3	CAGE CODE 00779
		PRODUCT SPEC -	DRAWING NO C=1721531	RESTRICTED TO
		APPLICATION SPEC -	SCALE 5:1	SHEET 2 of 2
		WEIGHT -	CUSTOMER DRAWING	REV D1