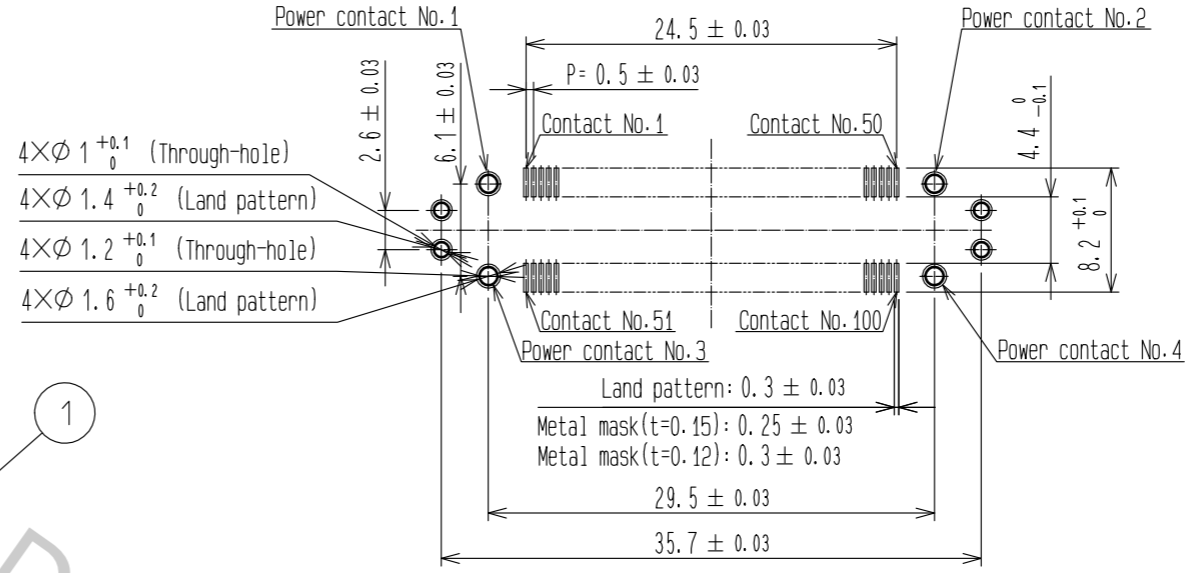
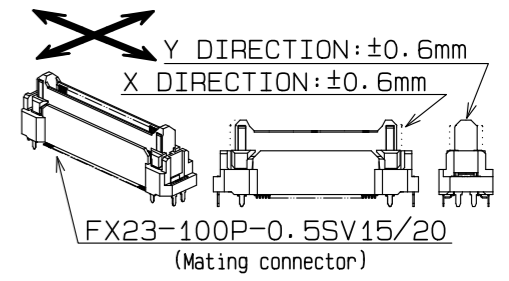


RECOMMENDED LAND PATTERN DIMENSION OF PCB

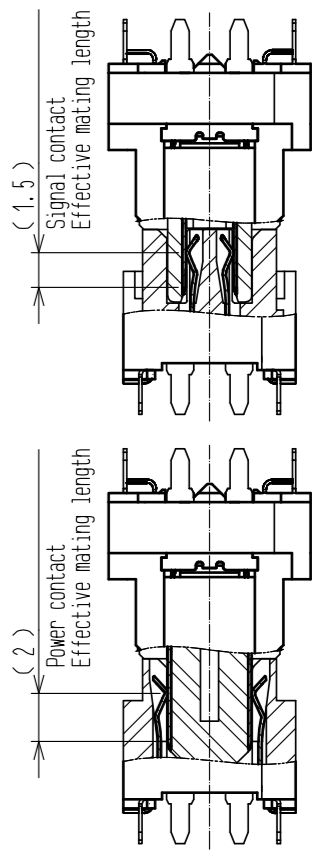
△ (PCB THICKNESS: t=1.6mm)



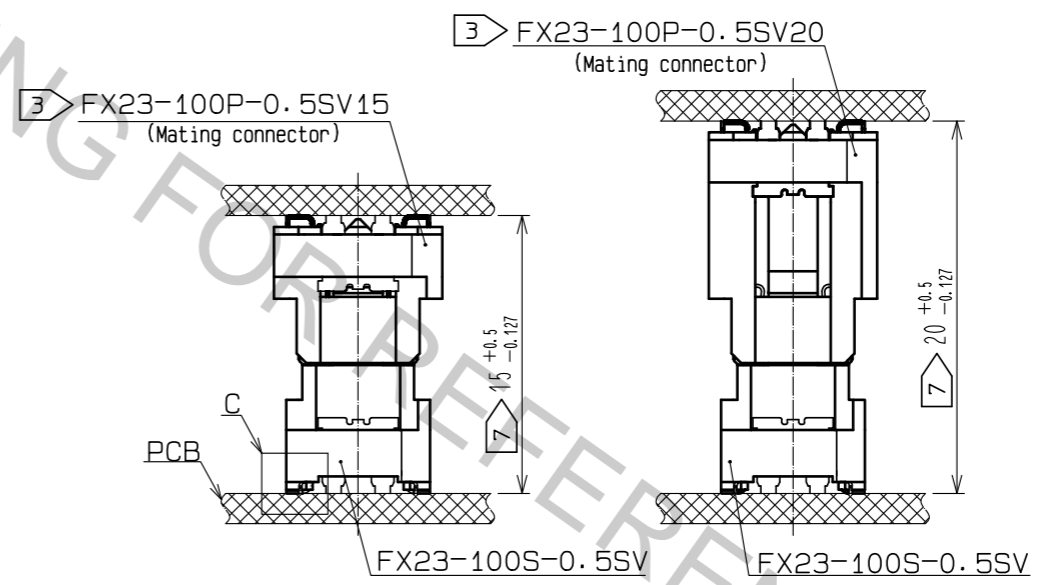
▷ FLOATING RANGE



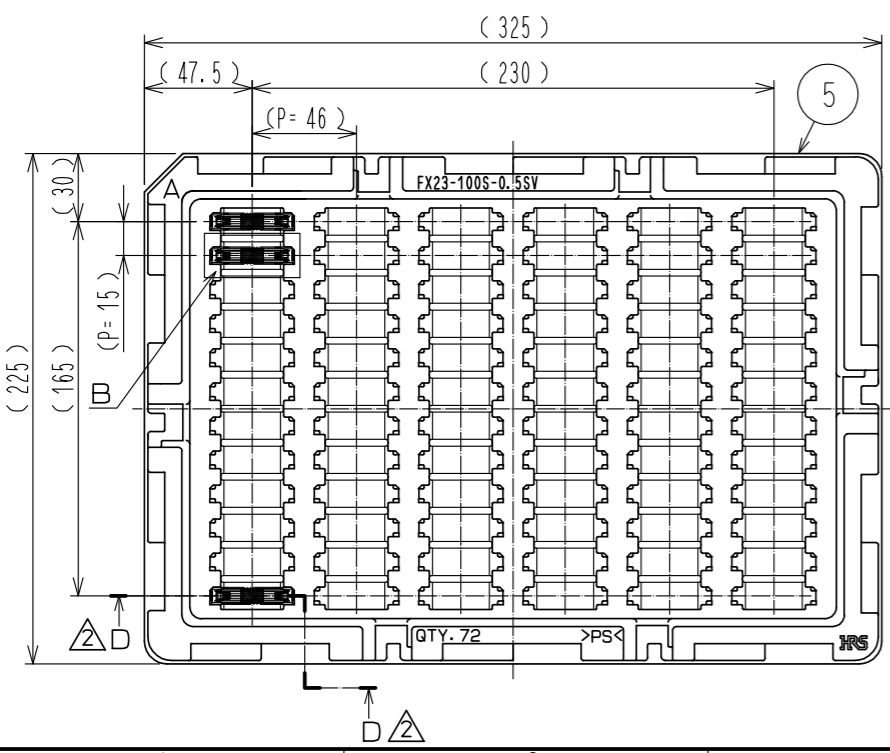
CROSS SECTION OF MATING (No scale)



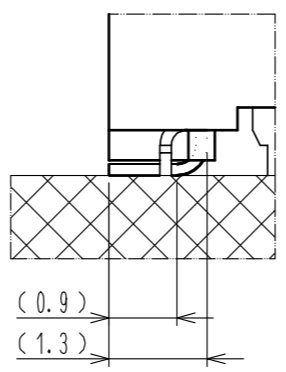
PCB DISTANCE (No scale)



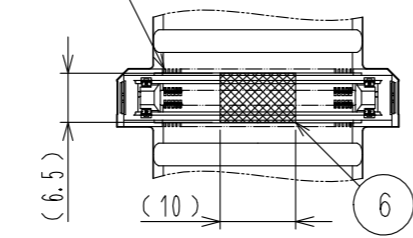
▷ DRAWING FOR PACKING (No scale)



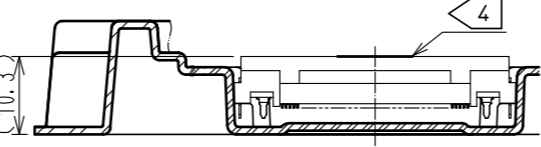
C (10:1)



B (1:1)



△ D-D (1:1)



- Lead CO-Planarity is 0.1mm MAX.
- This is packaged in tray. (72pcs/tray)
- Floating range of this connector is ±0.6mm MAX.
- It shows the vacuum pickup area. Remove the mylar tape before mating connectors.
- Blemish and hit mark can be occurred through out the manufacturing process which doesn't affect quality level.
- The dimensions in parentheses are for references.
- Please use the connectors within the specified PCB distance.

NO.	MATERIAL	FINISH	REMARKS	NO.	MATERIAL	FINISH	REMARKS
2	COPPER ALLOY		CONTACT AREA:GOLD 0.1 μm LEAD AREA:GOLD 0.03 μm	6	POLYIMIDE		(TAPE FOR VACUUM PICKUP)
1	LCP		BLACK UL94V-0	5	POLYSTYRENE		(TRAY)
				4	BRASS		LEAD AREA:TIN-PLATING 3 μm UNDER PLATING:NICKEL 1 μm
				3	COPPER ALLOY		CONTACT AREA:GOLD 0.1 μm LEAD AREA:TIN-PLATING 1 μm UNDER PLATING:NICKEL 1.3 μm

UNITS	SCALE	COUNT	DESCRIPTION OF REVISIONS	DESIGNED	CHECKED	DATE
mm	2:1	3	DIS-F-00001543	TS.00NO	KN.SHIBUYA	16.08.24

APPROVED	CHECKED	DESIGNED	DRAWN	DRAWING NO.	PART NO.	CODE NO.
HS. OKAWA	KN. SHIBUYA	TS. 00NO	TS. 00NO	EDC3-353555-00	FX23-100S-0.5SV	CL573-3205-0-00